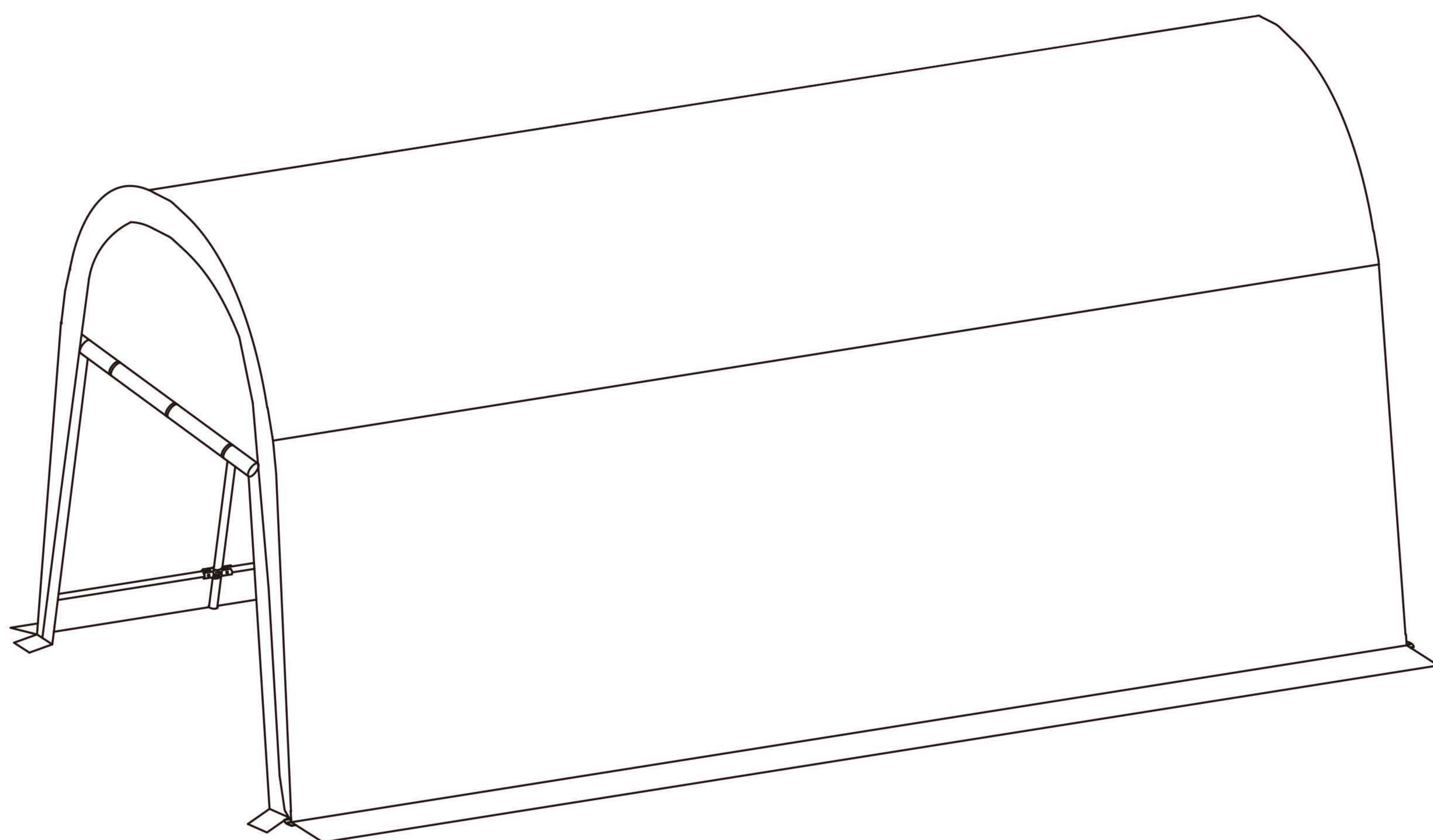


PARTY TENT

12X20FT

SKU: E002G071-1
E002G071-2

ASSEMBLY INSTRUCTIONS



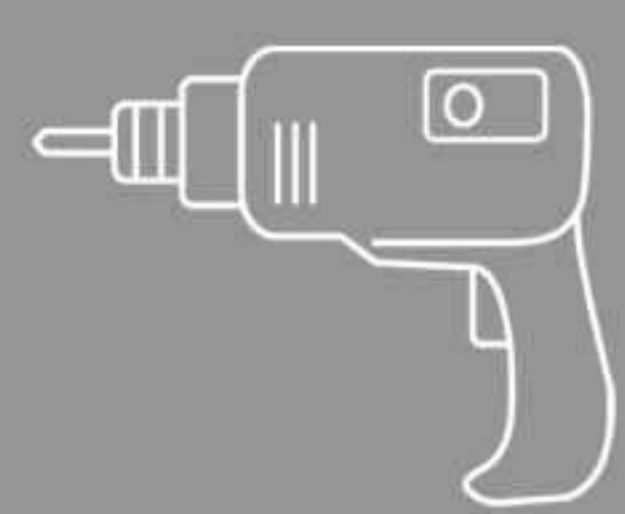
Please check the number of parts in the following accessory catalogue when unpacking. We have sent you more small parts for spare. If there is any missing or any questions about the installation. Please feel free to contact us. We will reply within 24 hours.



E-mail: cs.helper01@gmail.com

TOOLS RECOMMENDED

*NOTE: The recommended tools are not included in boxes and need to be prepared by yourself.



DRILL



RUBBER Mallet



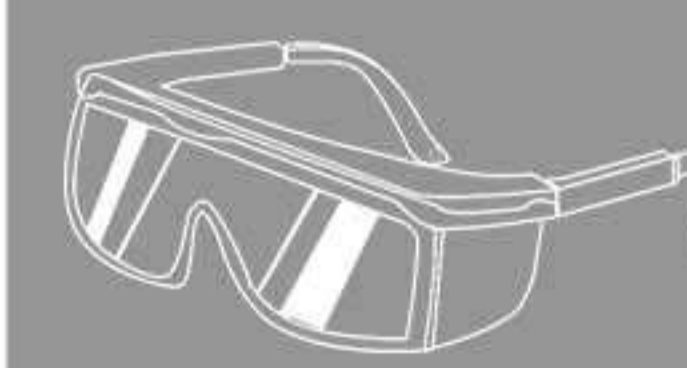
STEPLADDER
(6.5Ft Or More)



SAFETY HAT



GLOVES



SAFETY GOGGLES

ATTENTIONS



Since it is easy to lose many small accessories during the installation, please collect all the screw accessories before the assembly is completed



To better align the screws for practical situations, do not fully tighten screws initially



Please reinforced the Gazebo and do not use in heavy winds or inclement weather



Make sure all screws are tightened before use and check all screws, buckles and straps every 90 days



Two or more people are required for assembly



Please clear the snow off the roof in time for the heavy snowfall and do not use it




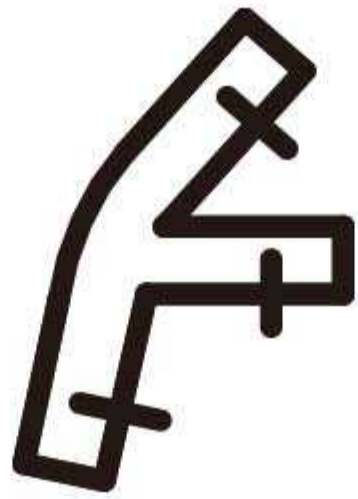
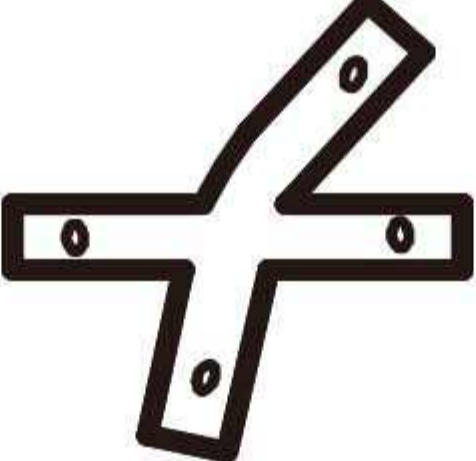
Please take care of the screws and contact the after-sales service if there is any problem with the installation or parts.



ACCESSORY CATALOGUE



BOX 1

SKU: E002G071-1

Item no.	Reference Image	Qty.
1		12
3		12
4		6
A		6
B		12

BOX 2

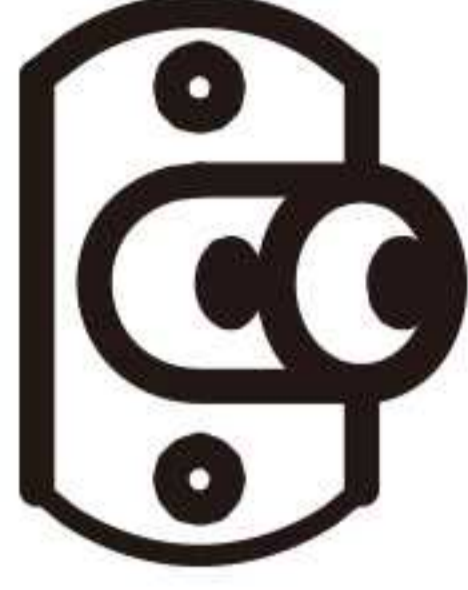
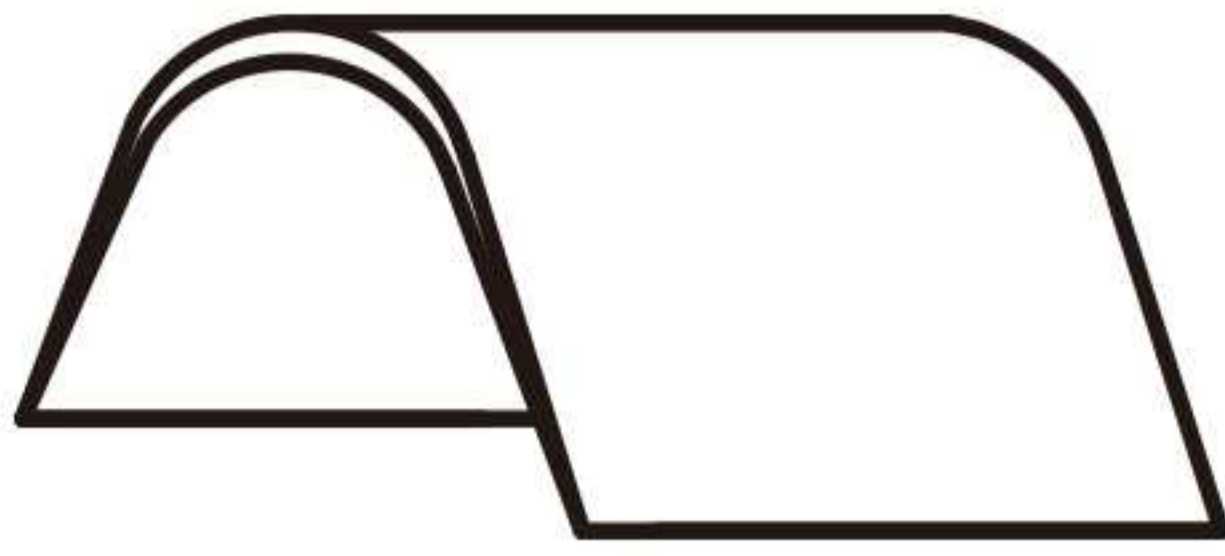
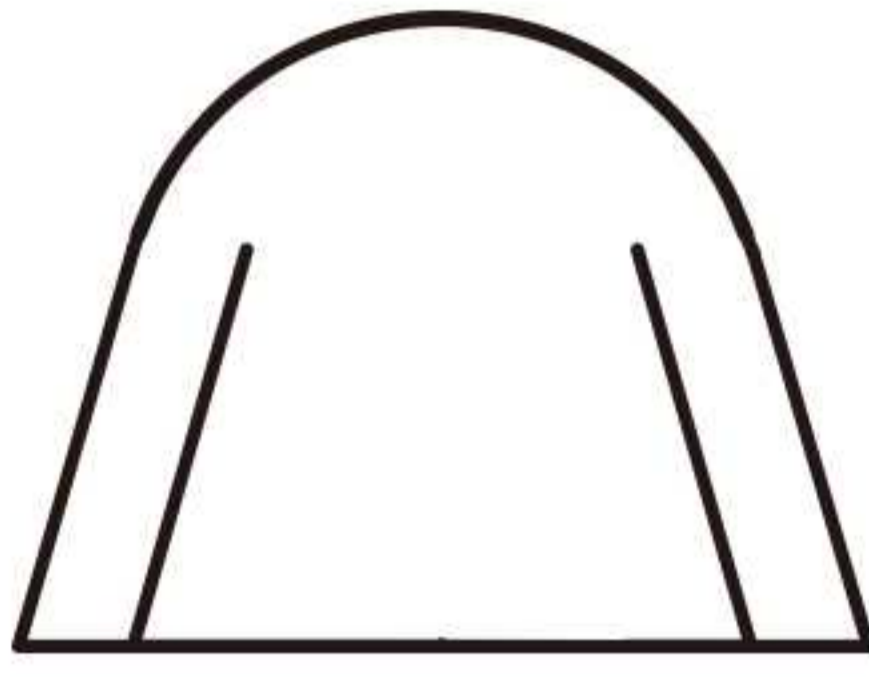
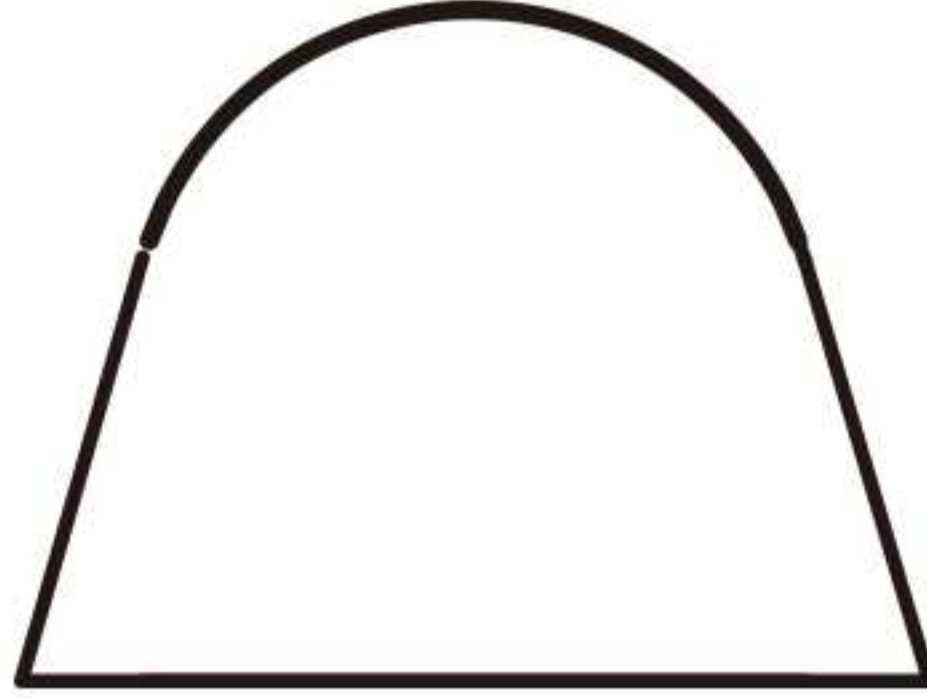

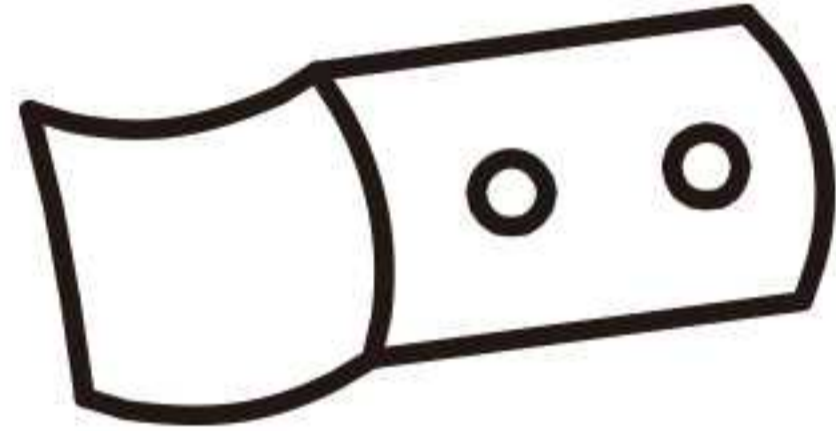
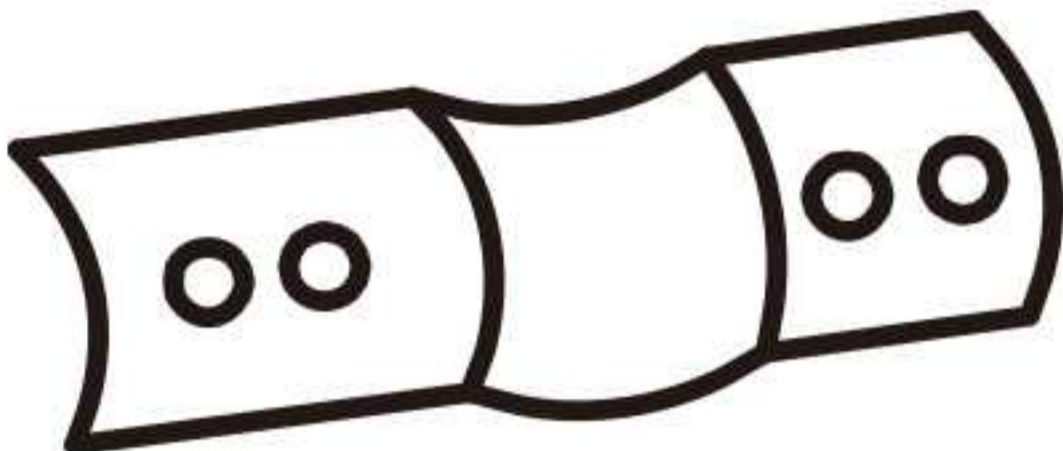


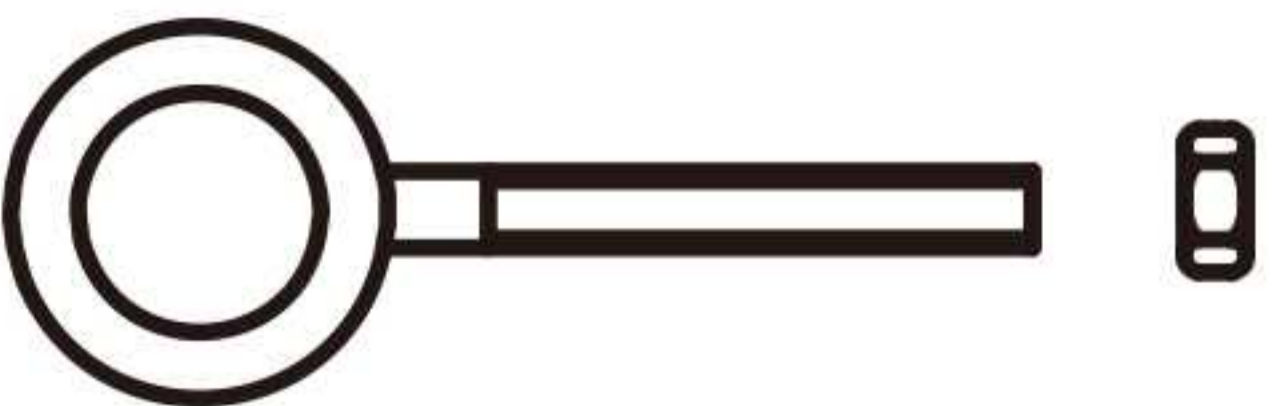



SKU: E002G071-2

Item no.	Reference Image	Qty.
2		15
5		10

Please take care of the screws and contact the after-sales service if there is any problem with the installation or parts.


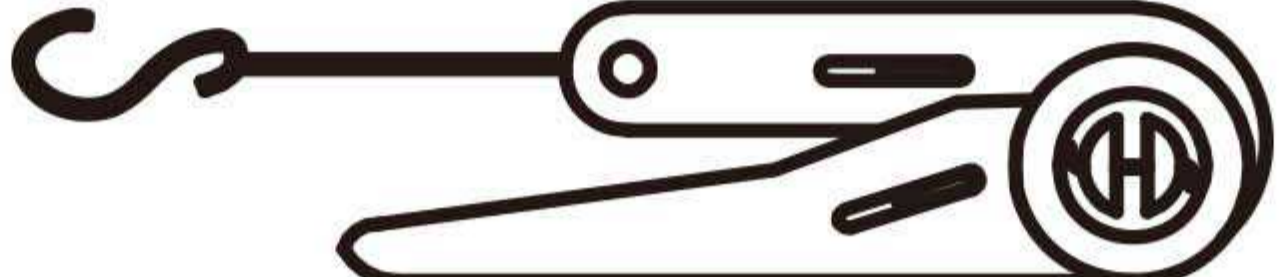




➔ ✉ E-mail: cs.helper01@gmail.com

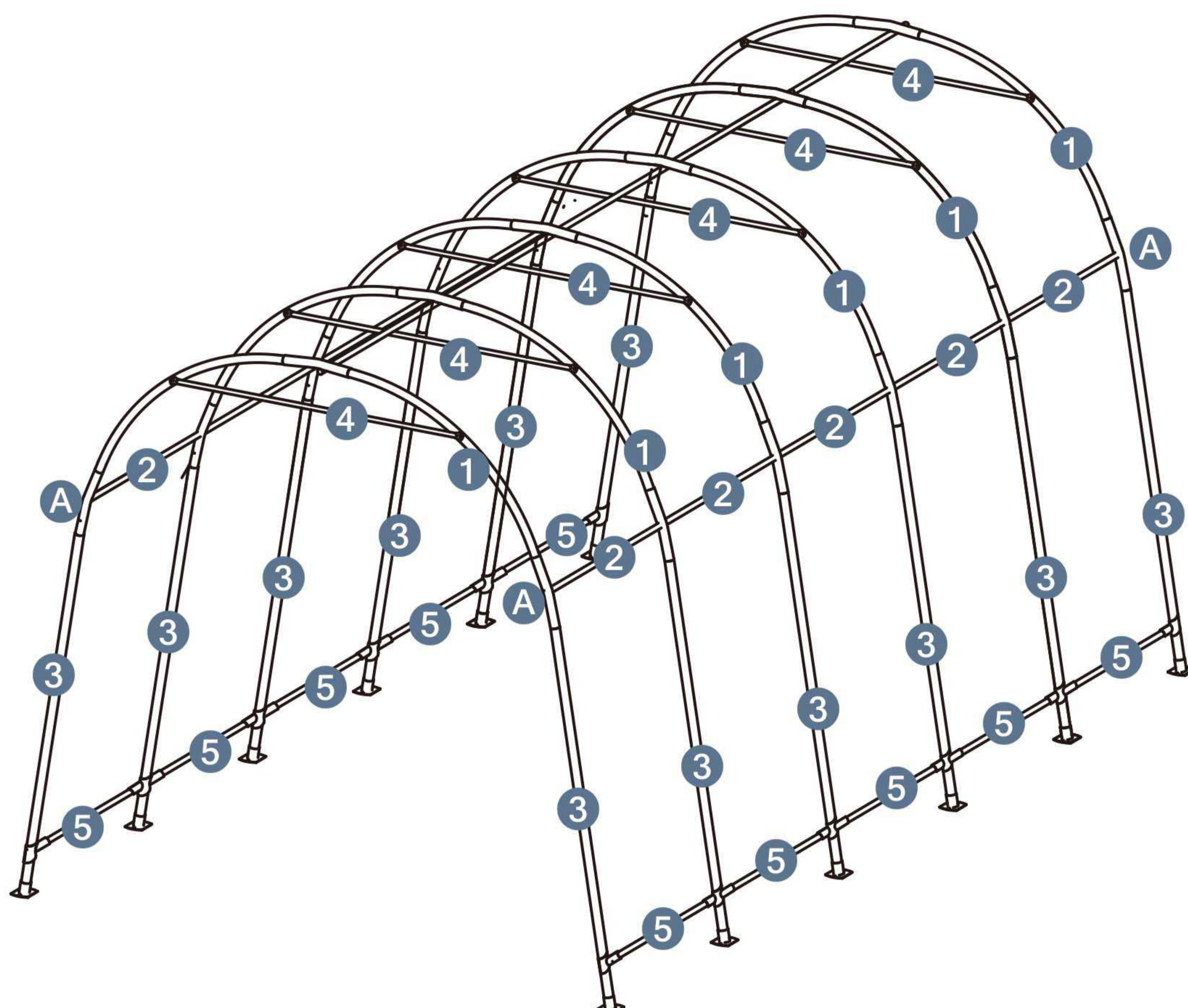
ACCESSORY CATALOGUE

Item no.	Reference Image	Qty.
C		12
D		1
E		1
F		1
G		36
I		8
J		16
K	 	56
	M8x50	
L	 	4
	M8x50	
M	 	40
	M6x45	

Please take care of the screws and contact the after-sales service if there is any problem with the installation or parts.

ACCESSORY CATALOGUE

Item no.	Reference Image	Qty.
N	 6x220MM	24
O		4
P	 6x300MM	4
Q		4
R		2
S		2

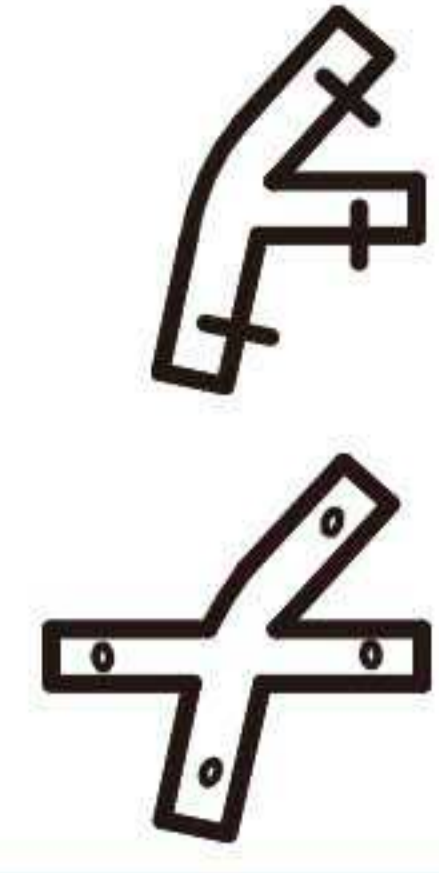


Please take care of the screws and contact the after-sales service if there is any problem with the installation or parts.

➔ ✉ E-mail: cs.helper01@gmail.com

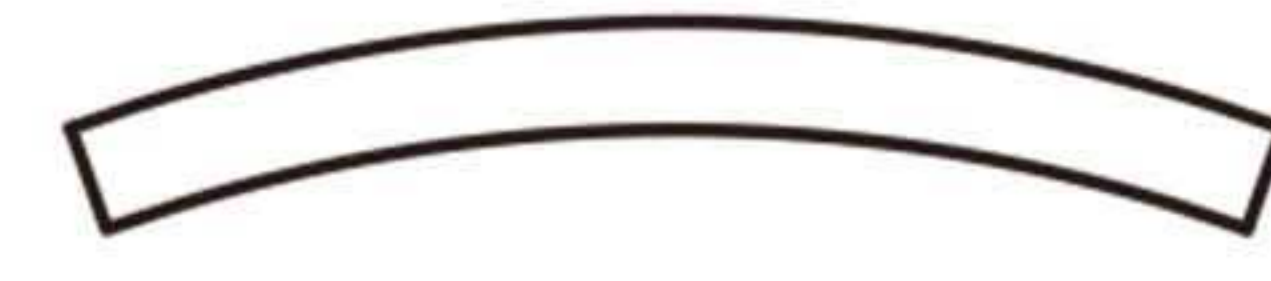
STEP 1

Parts required

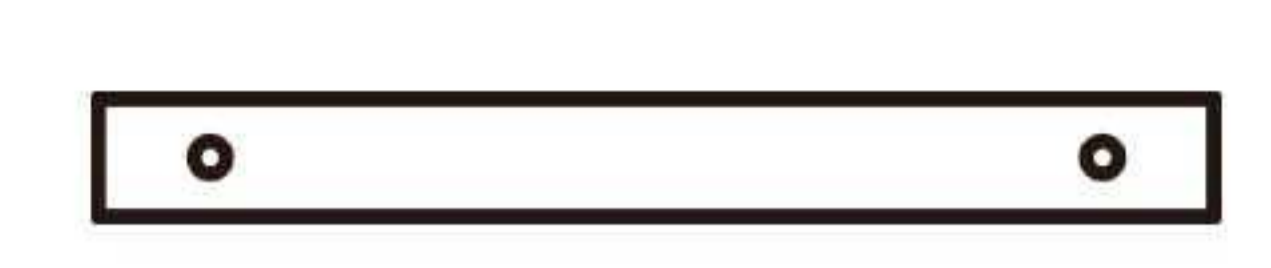


A 6pcs

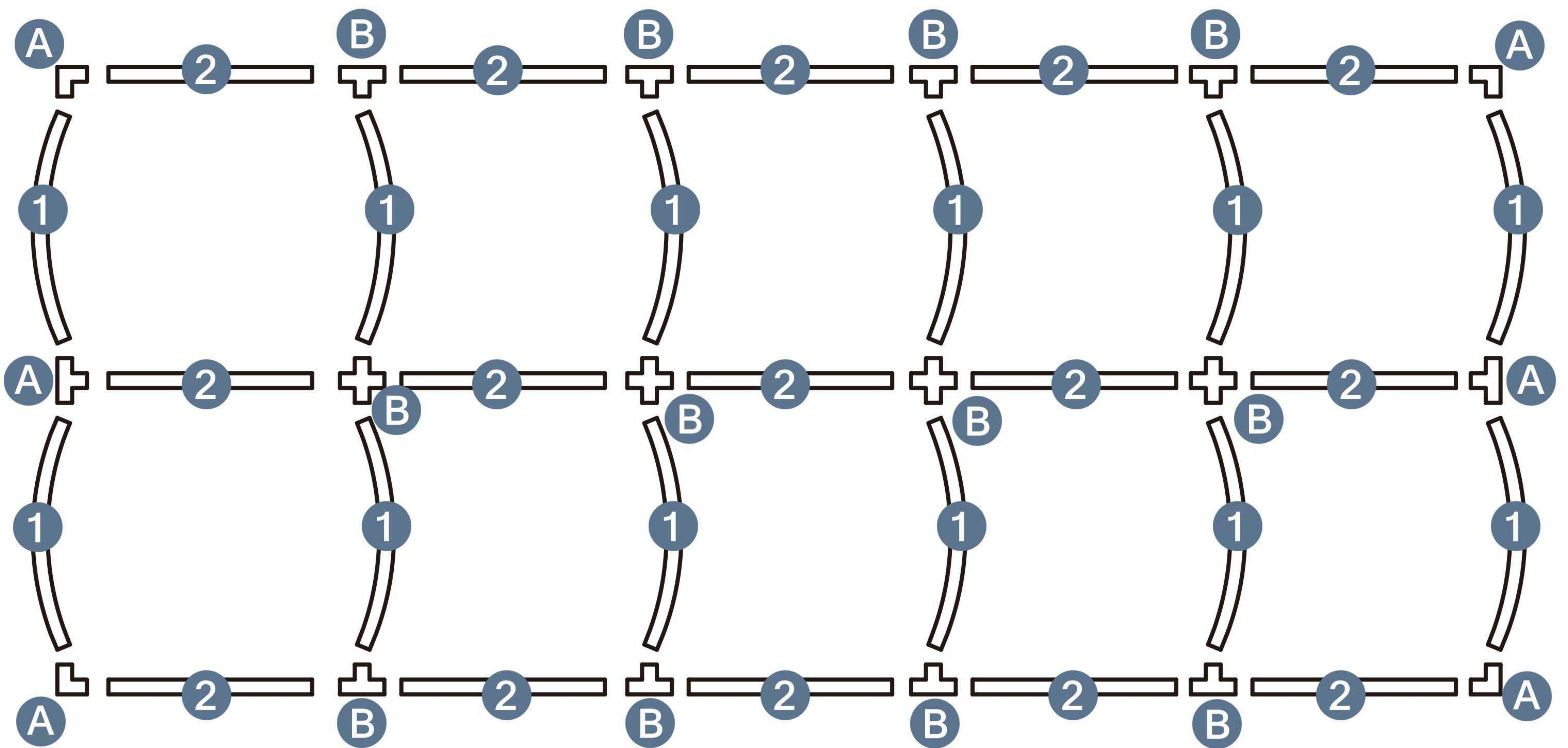
B 12pcs



1 12pcs



2 15pcs



For the convenience of installation, arrange it as shown in the figure.

Please take care of the screws and contact the after-sales service if there is any problem with the installation or parts.

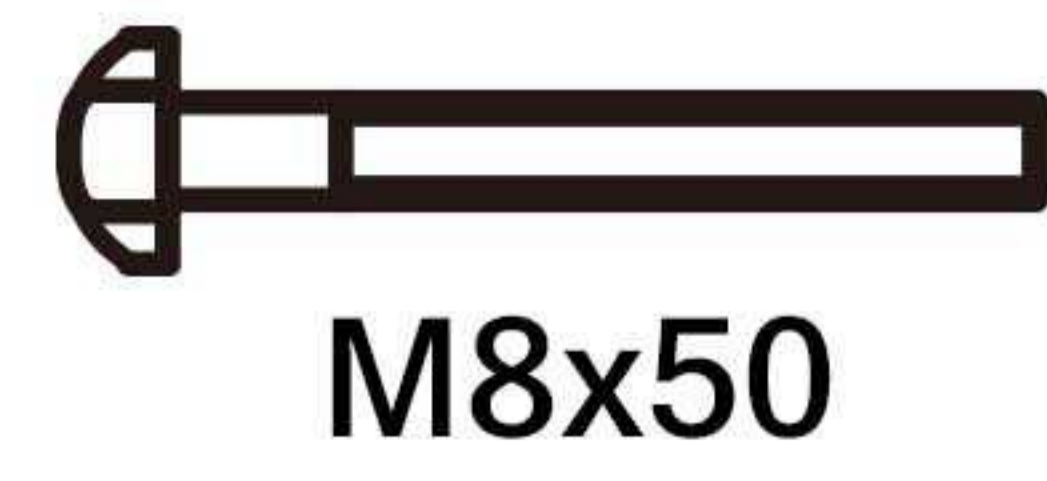
STEP 2

Parts required



4

6pcs

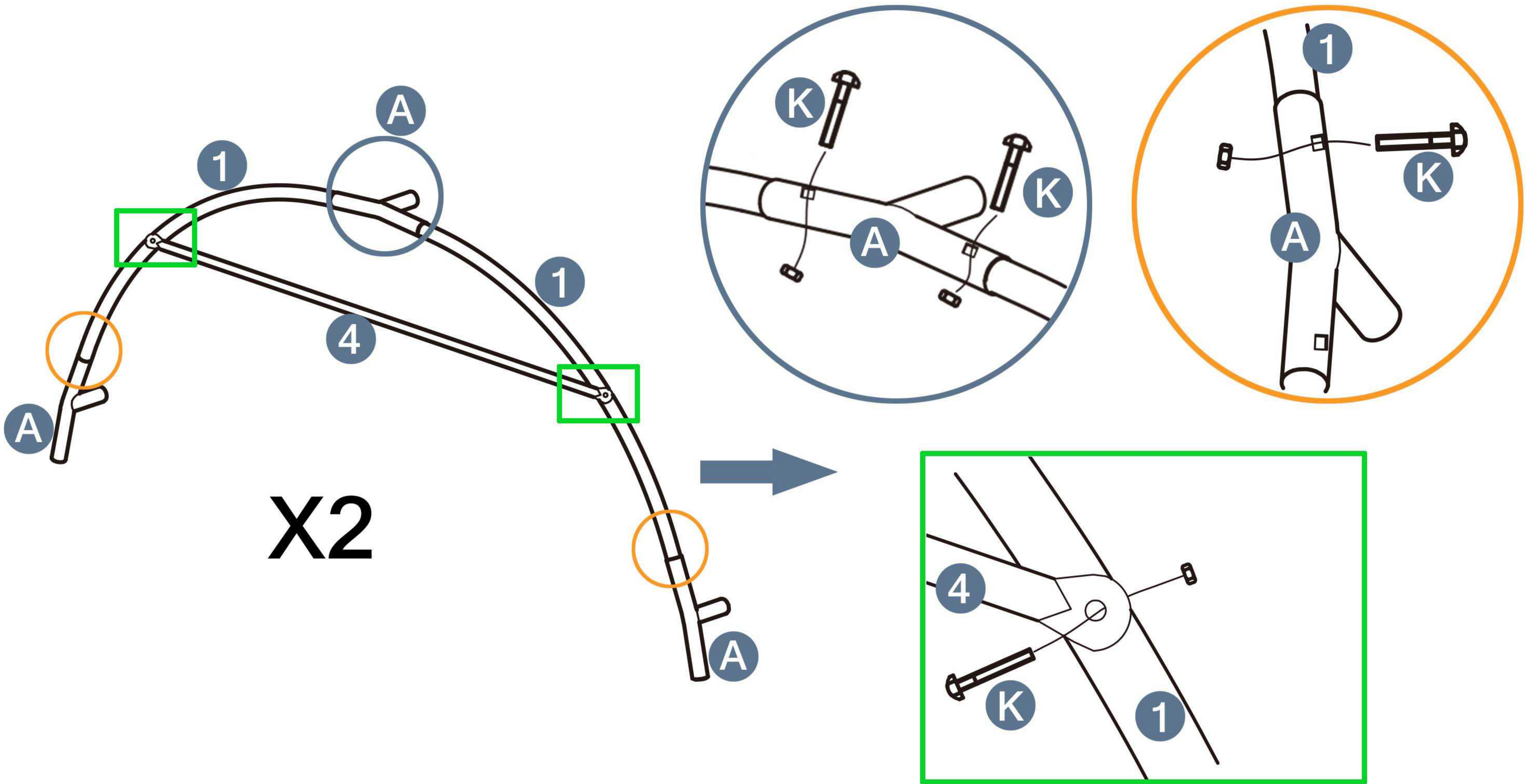


M8x50

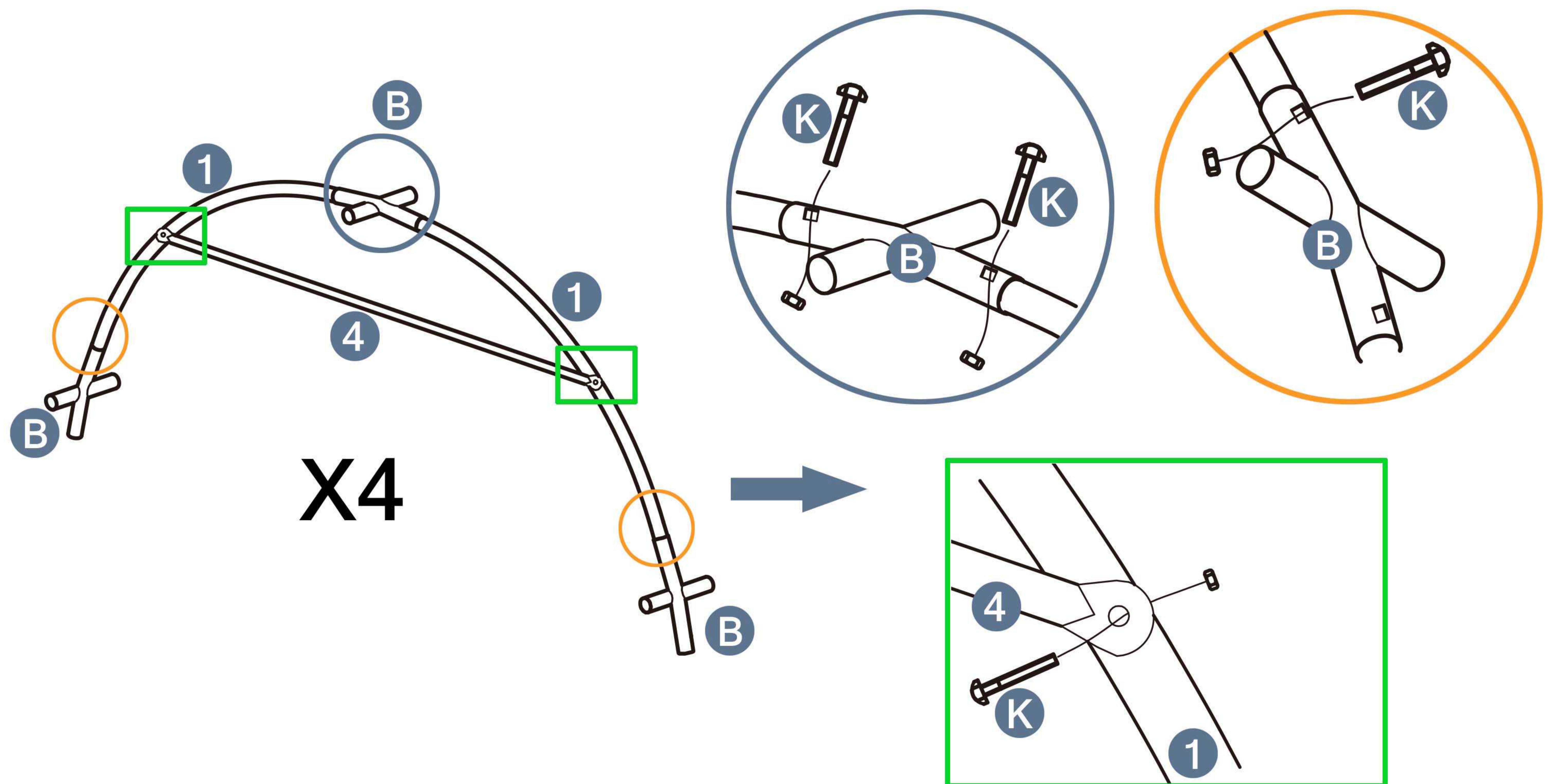


K

36pcs

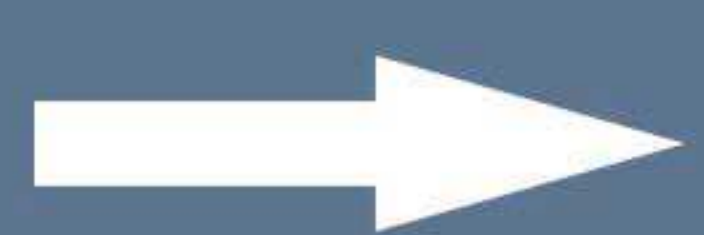


X2



X4

Please take care of the screws and contact the after-sales service if there is any problem with the installation or parts.

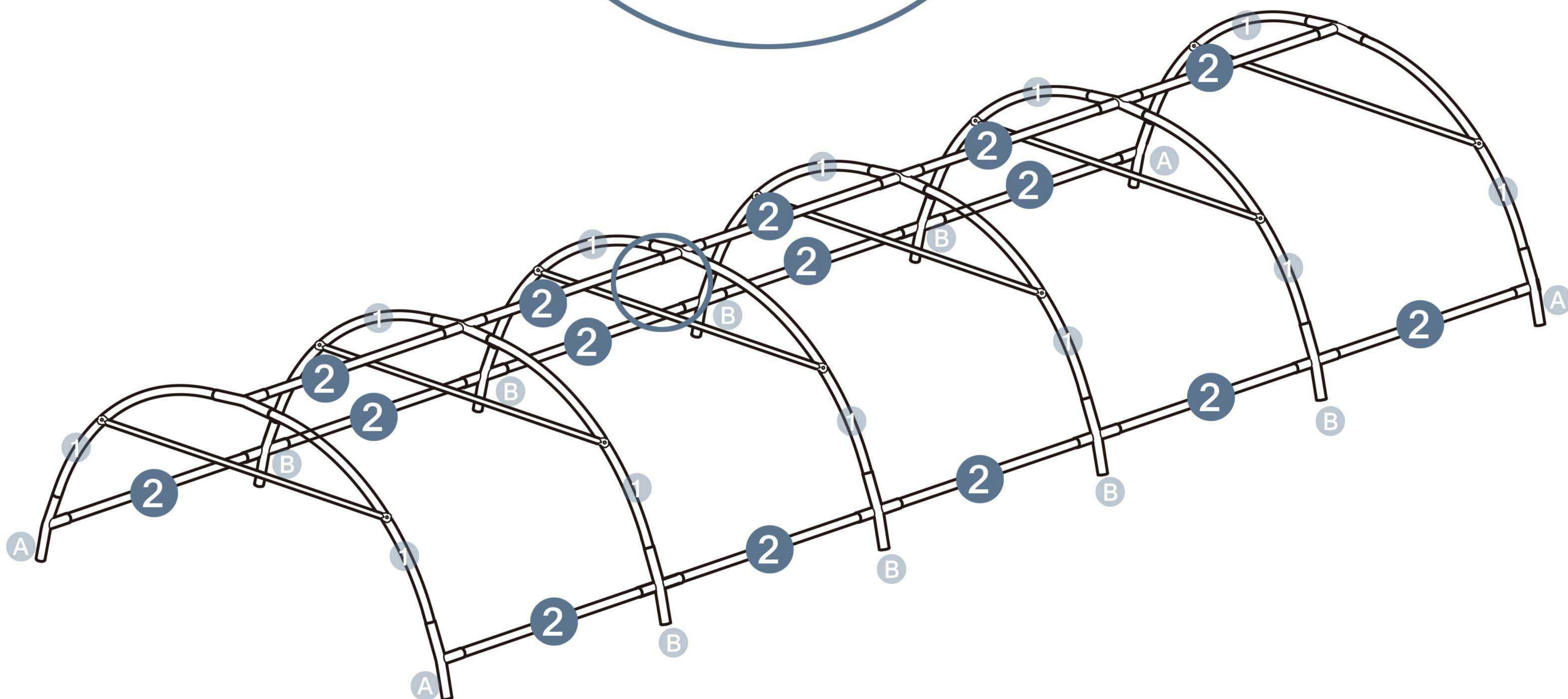
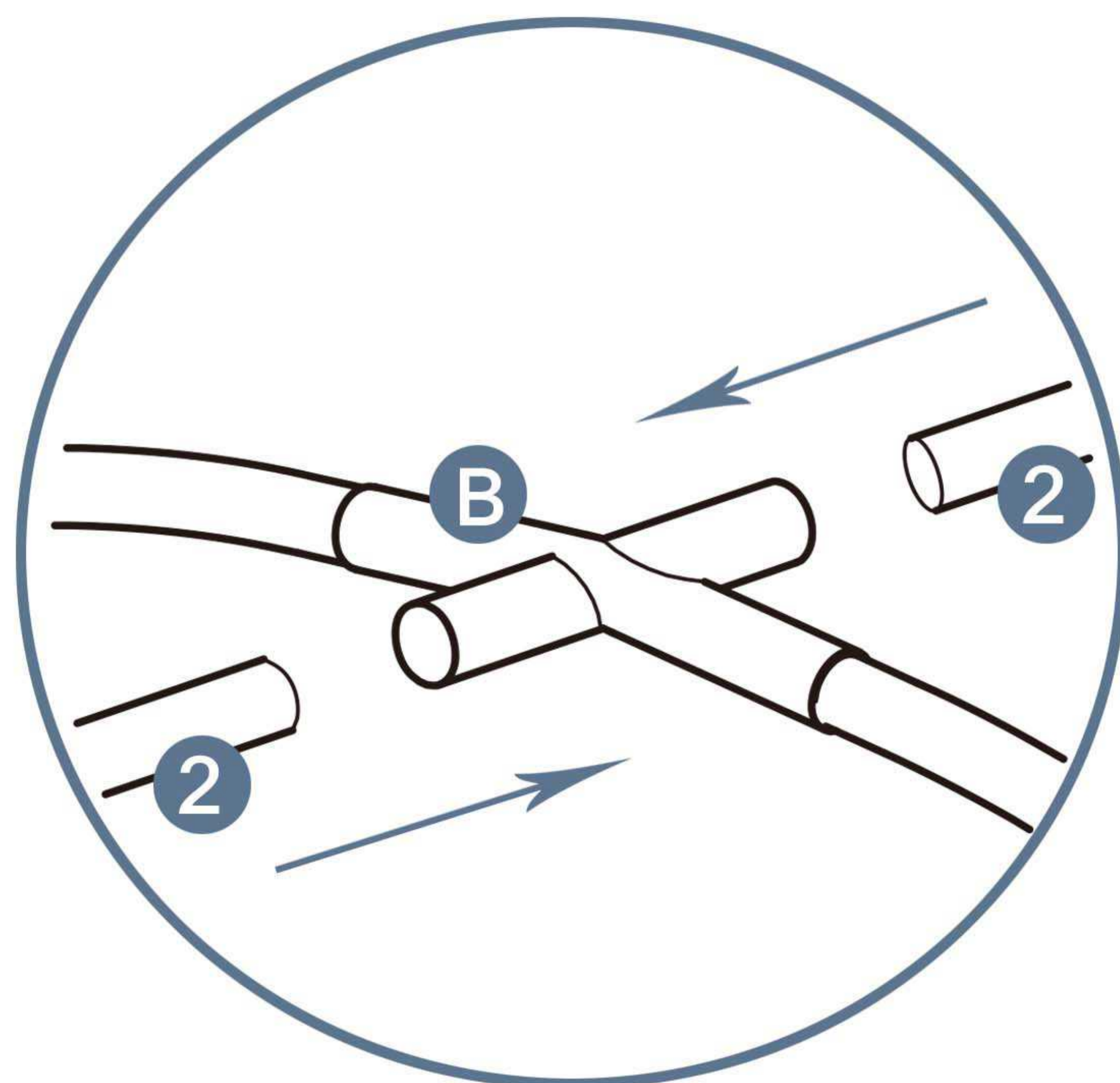


E-mail: cs.helper01@gmail.com

STEP 3

Parts required

Install all the No. 2 tubes.



Please take care of the screws and contact the after-sales service if there is any problem with the installation or parts.

STEP 4

Parts required



3

6pcs

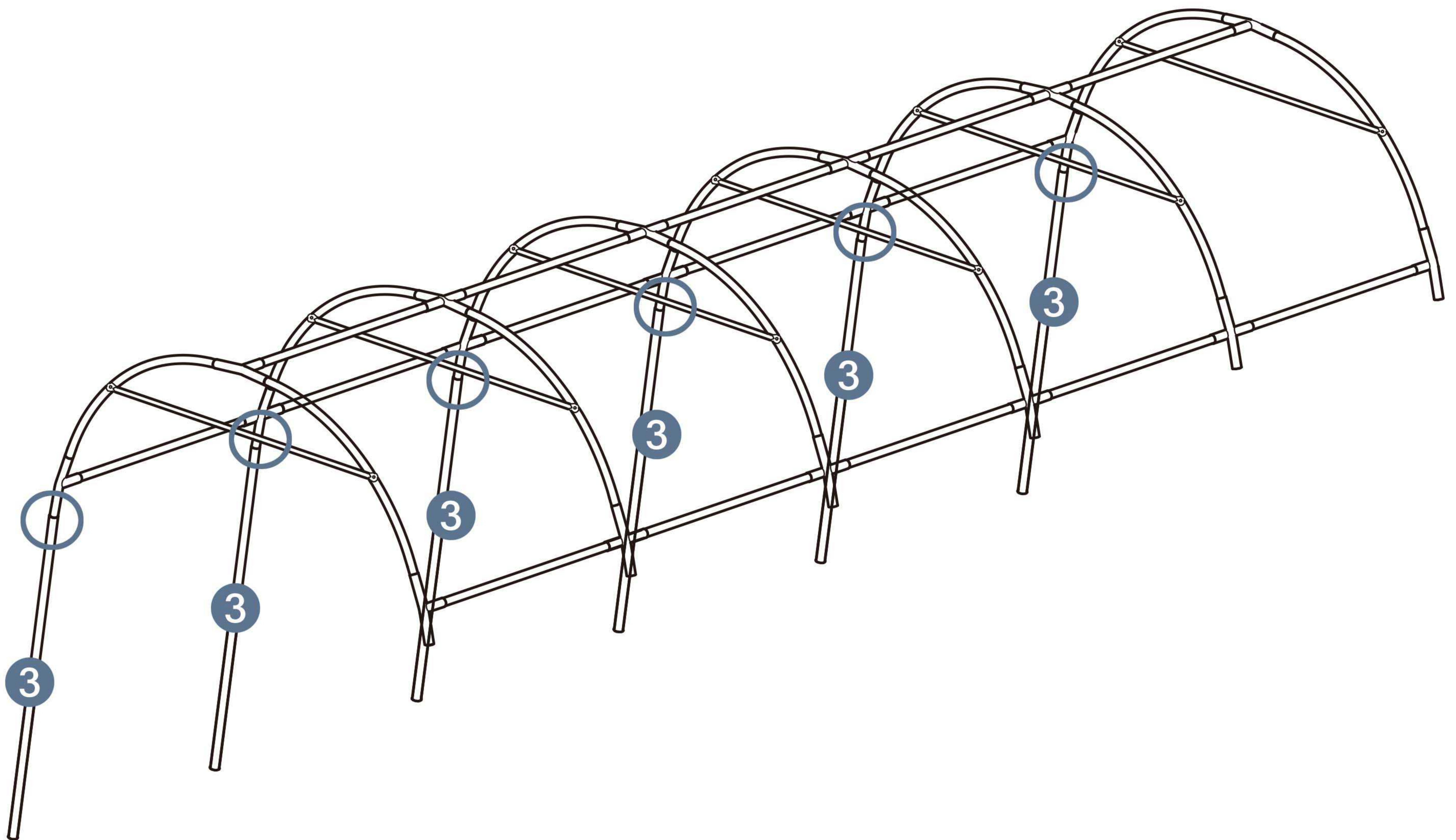
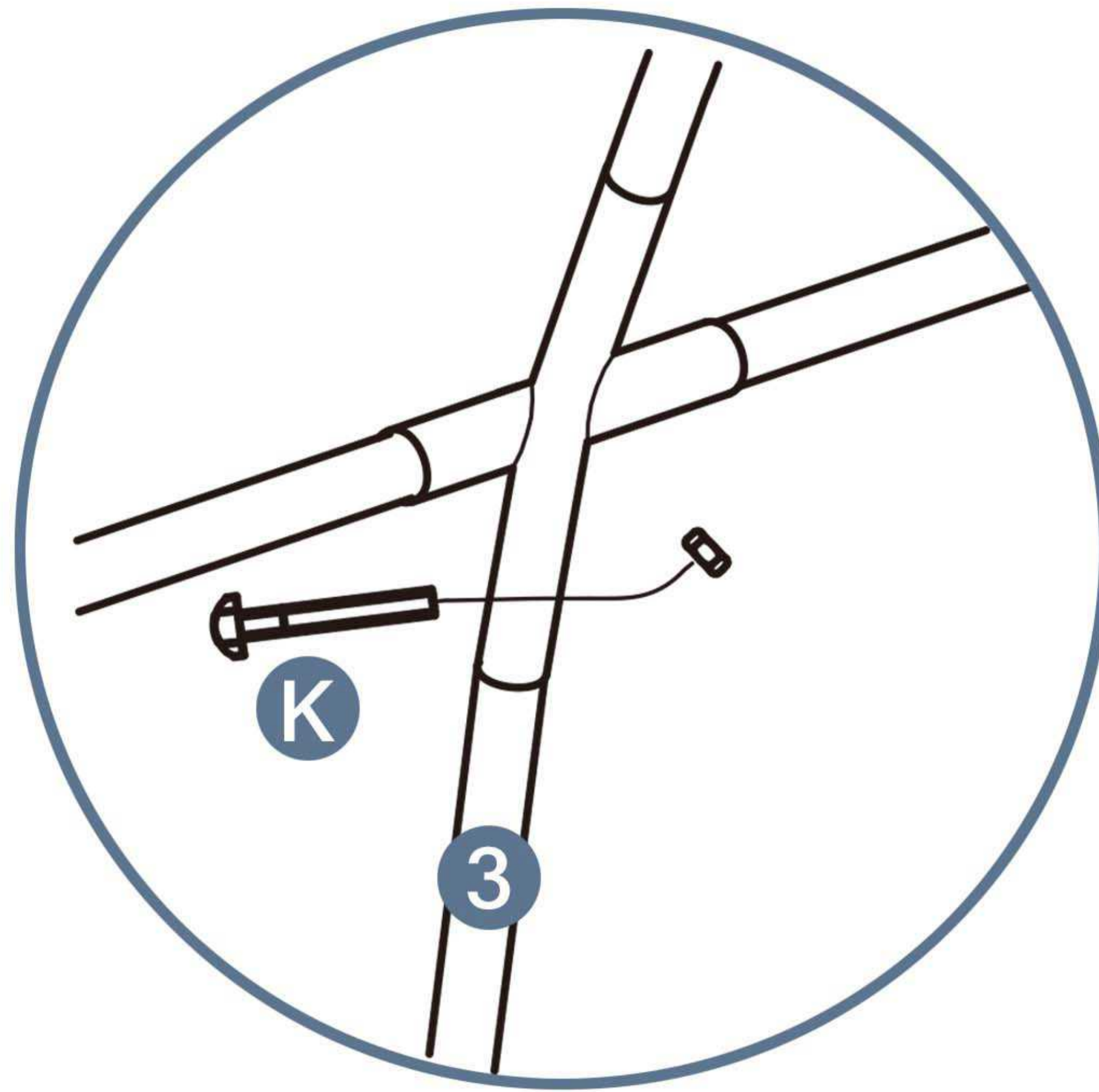


M8x50



K

6pcs



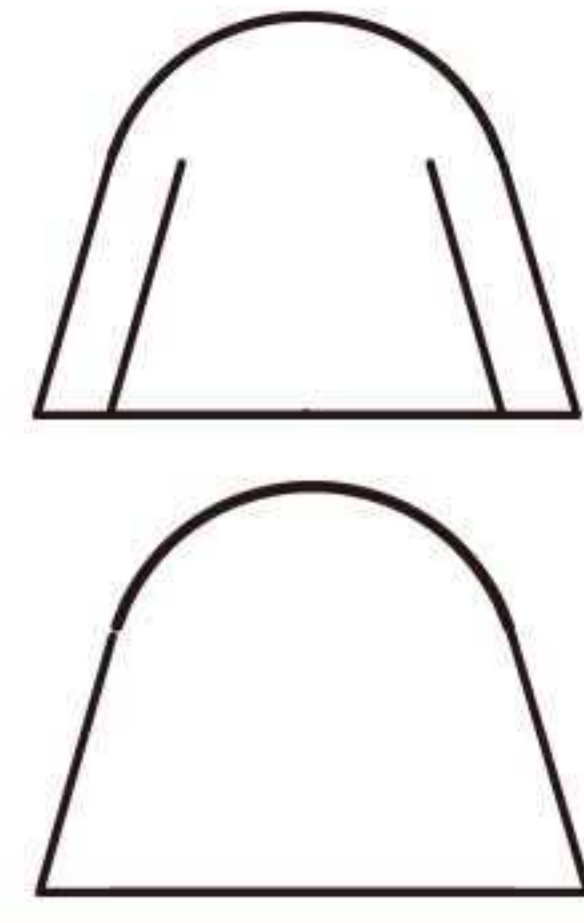
Please take care of the screws and contact the after-sales service if there is any problem with the installation or parts.



E-mail: cs.helper01@gmail.com

STEP 5

Parts required

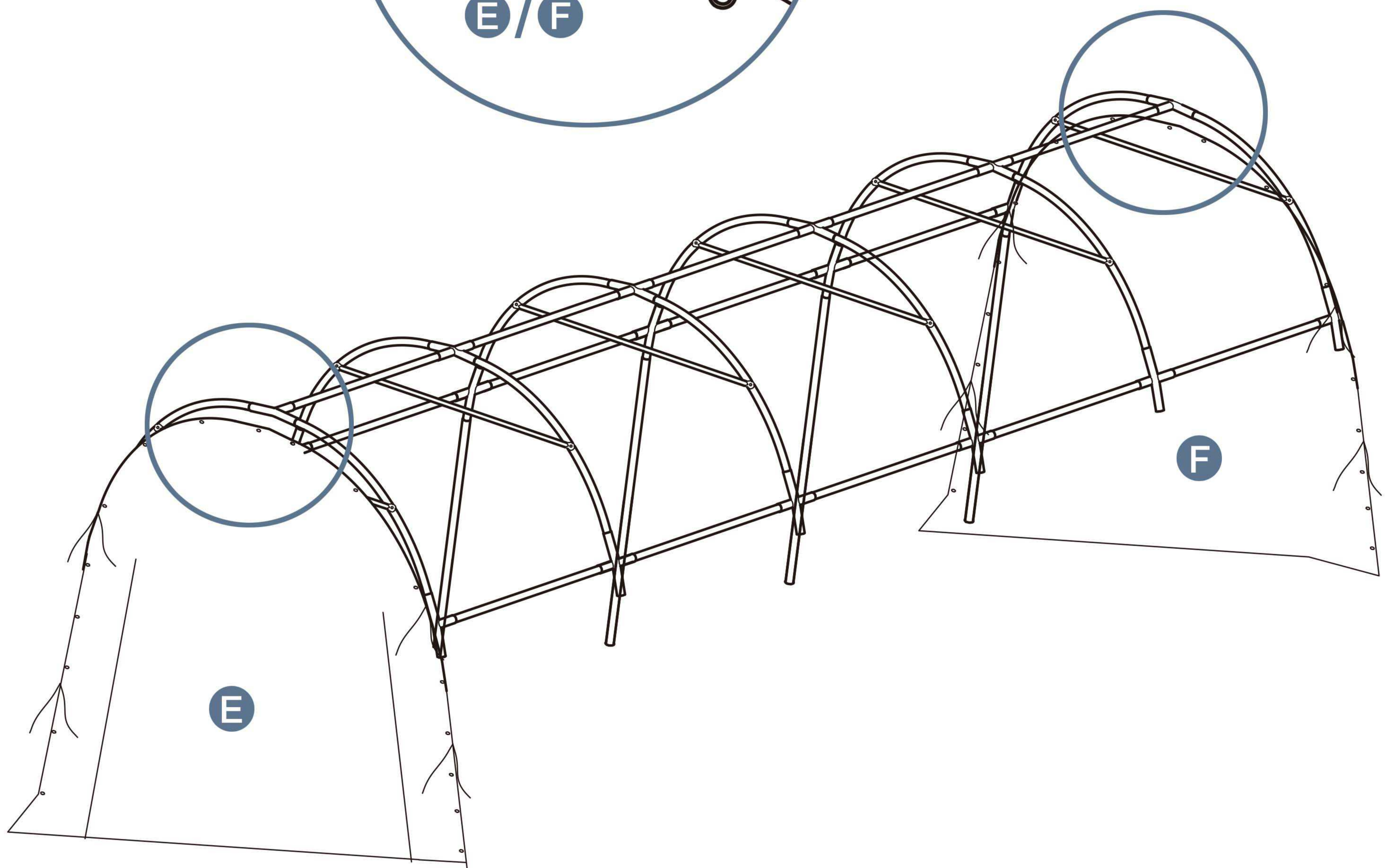
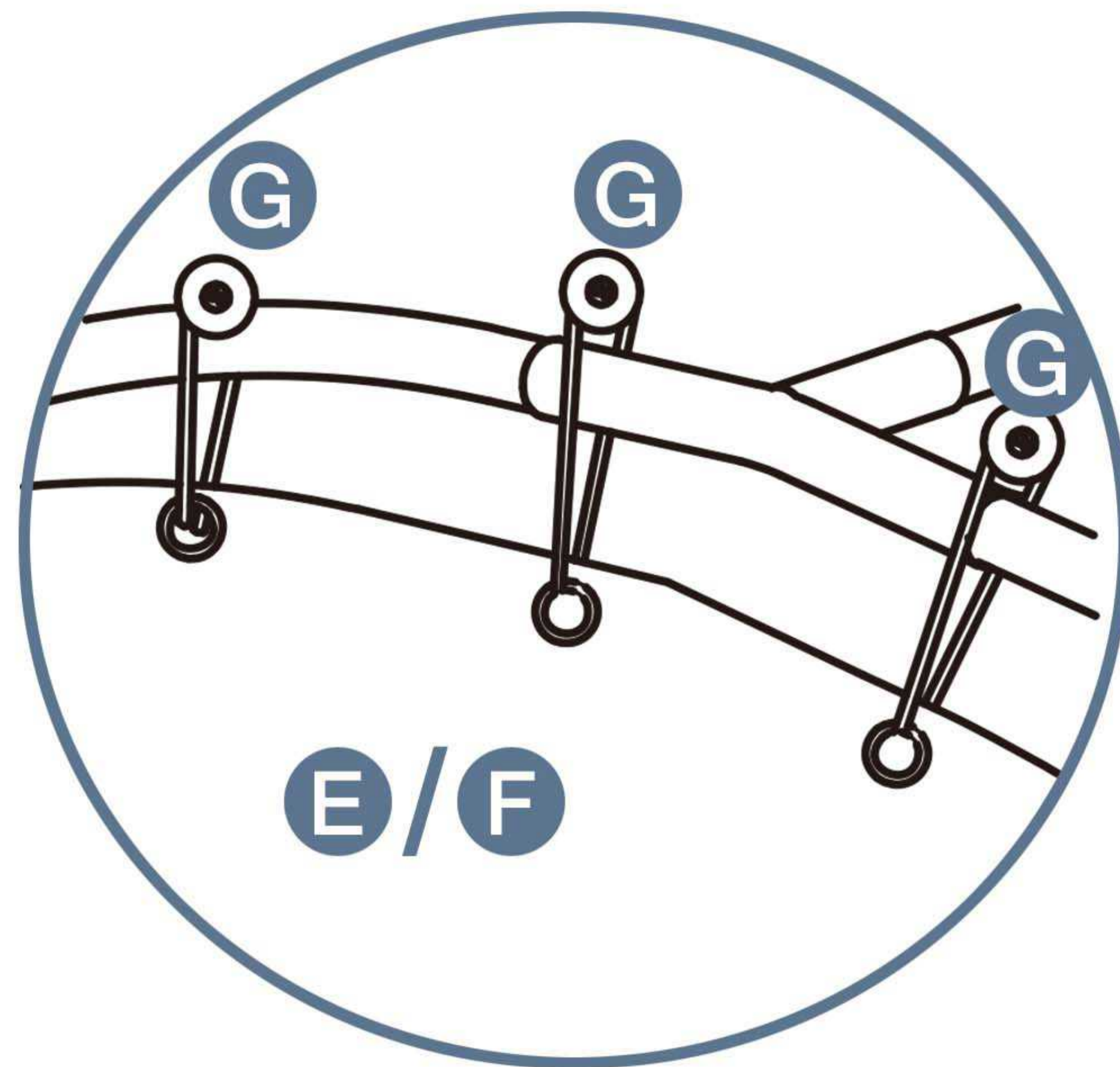


E 1pcs

F 1pcs



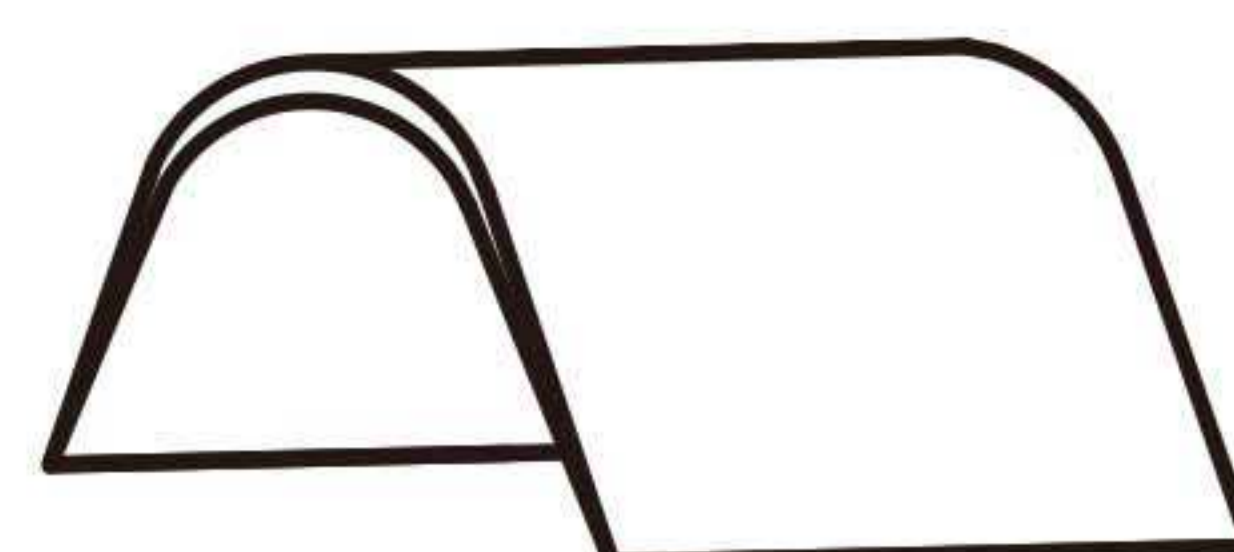
G 18pcs



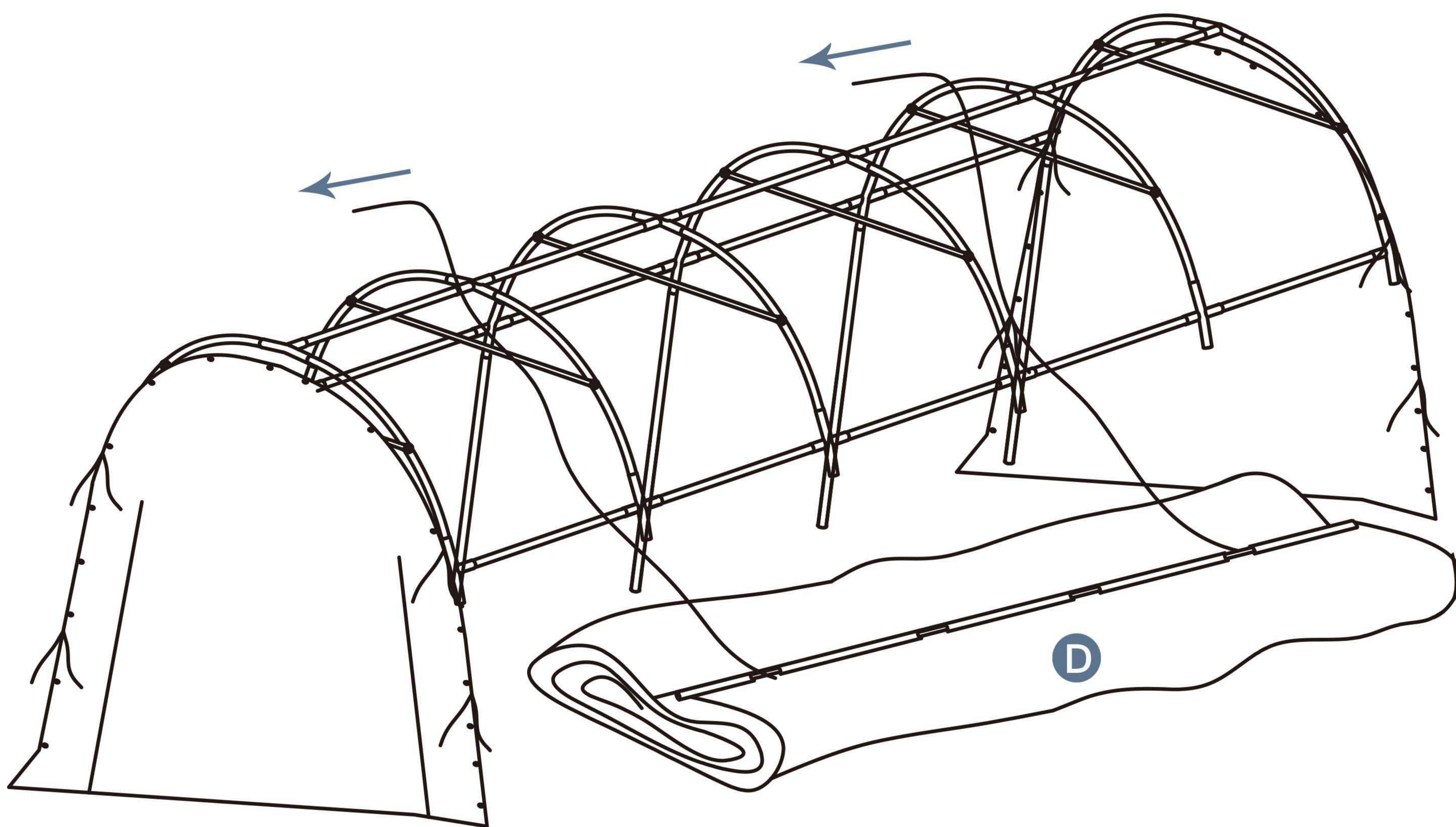
Please take care of the screws and contact the after-sales service if there is any problem with the installation or parts.

STEP 6

Parts required



D 1pcs



Please take care of the screws and contact the after-sales service if there is any problem with the installation or parts.

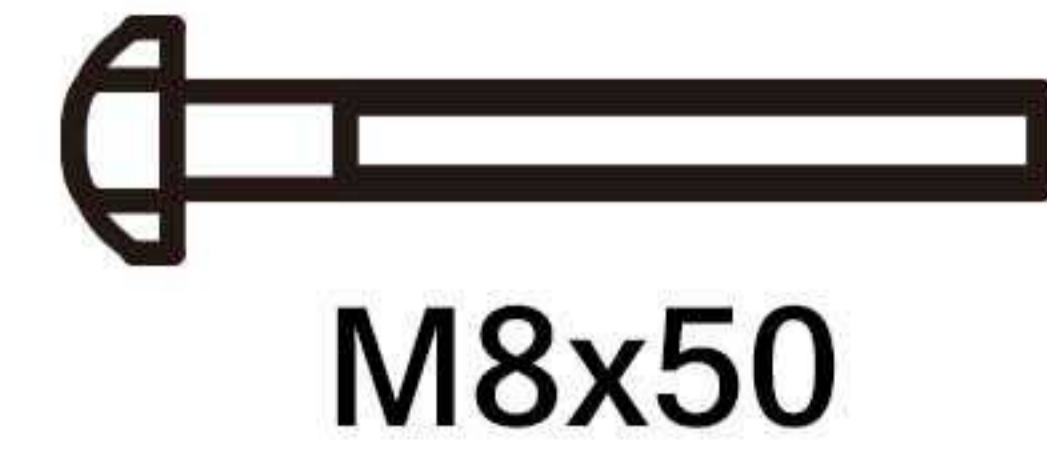
➔ ✉ E-mail: cs.helper01@gmail.com

STEP 7

Parts required



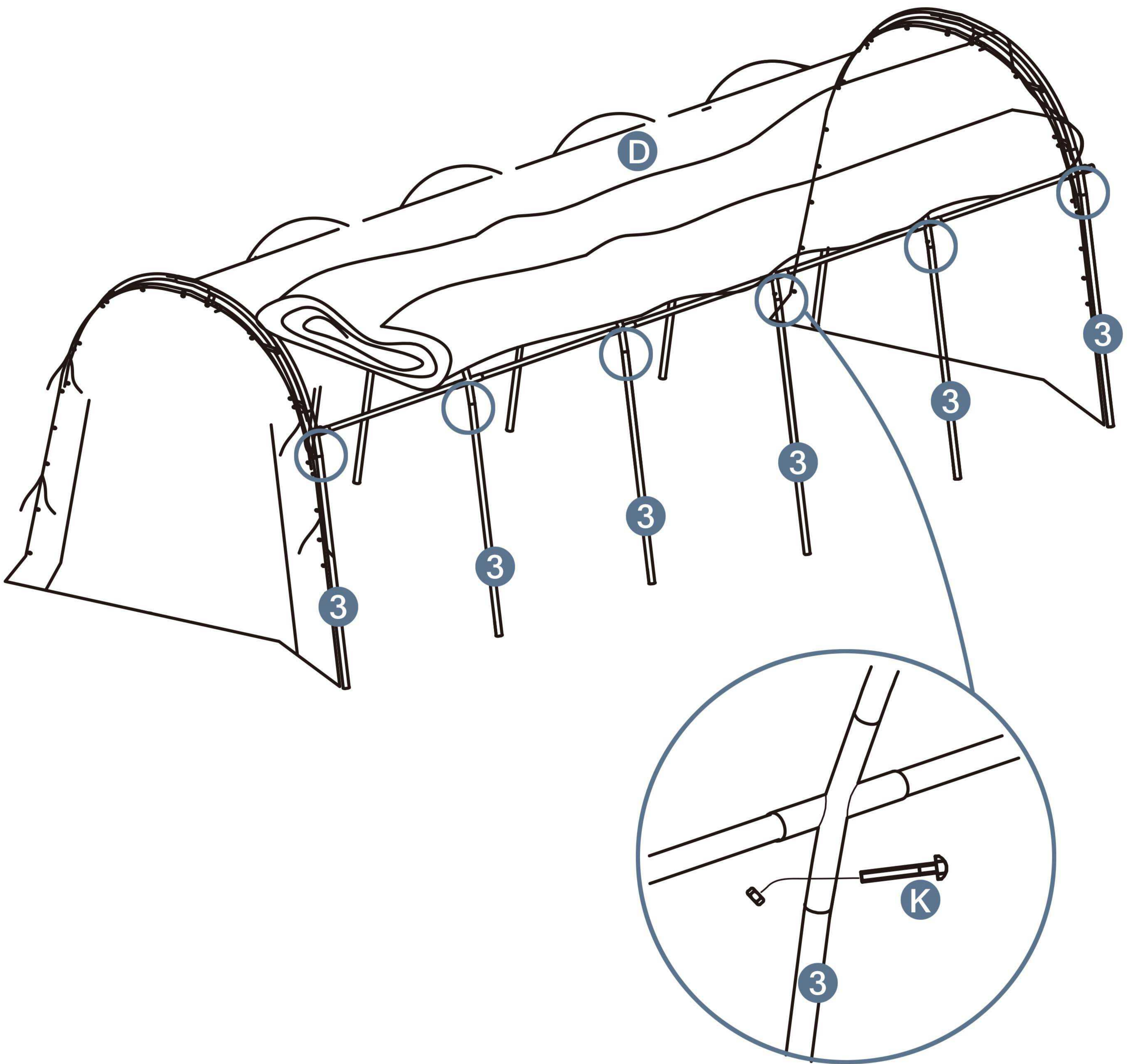
3 6pcs



M8x50



K 6pcs

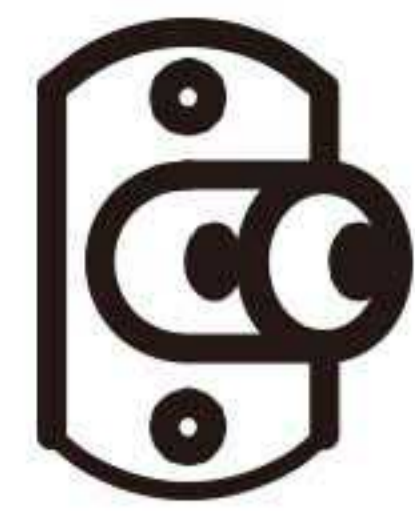


Please take care of the screws and contact the after-sales service if there is any problem with the installation or parts.

➔ ✉ E-mail: cs.helper01@gmail.com

STEP 8

Parts required

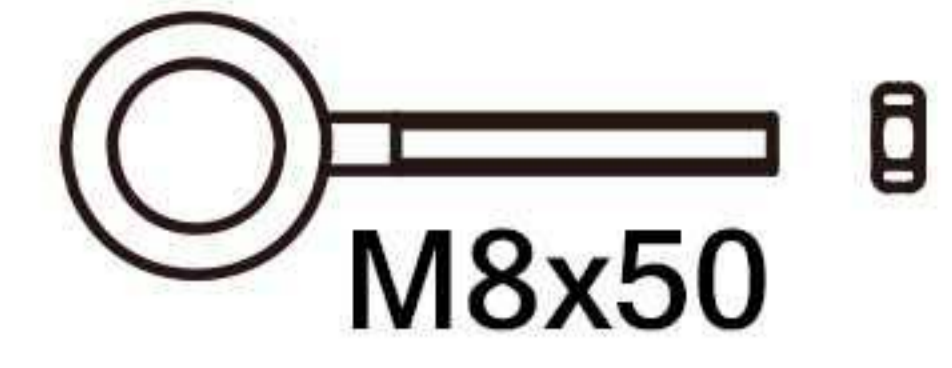


C 12pcs



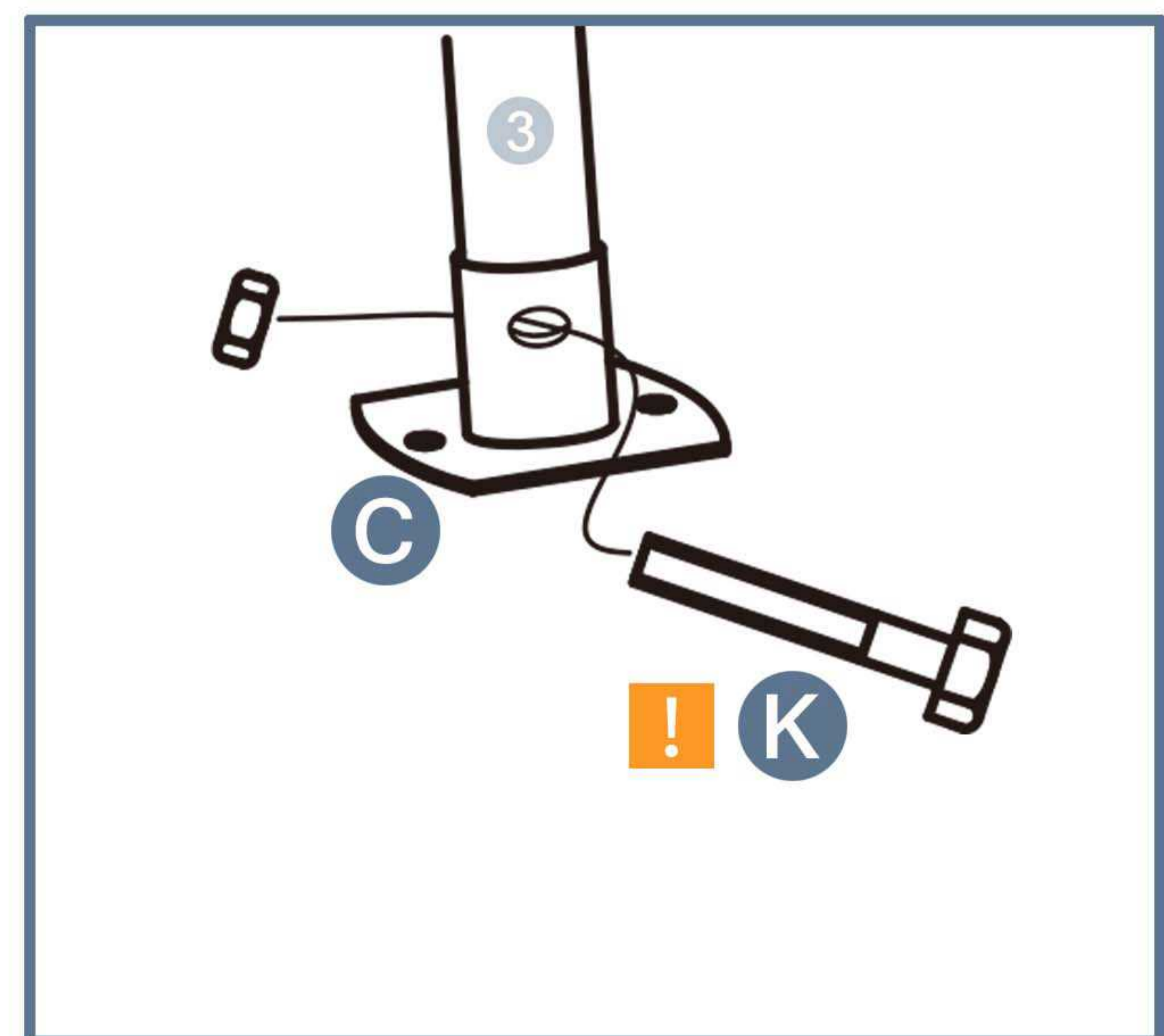
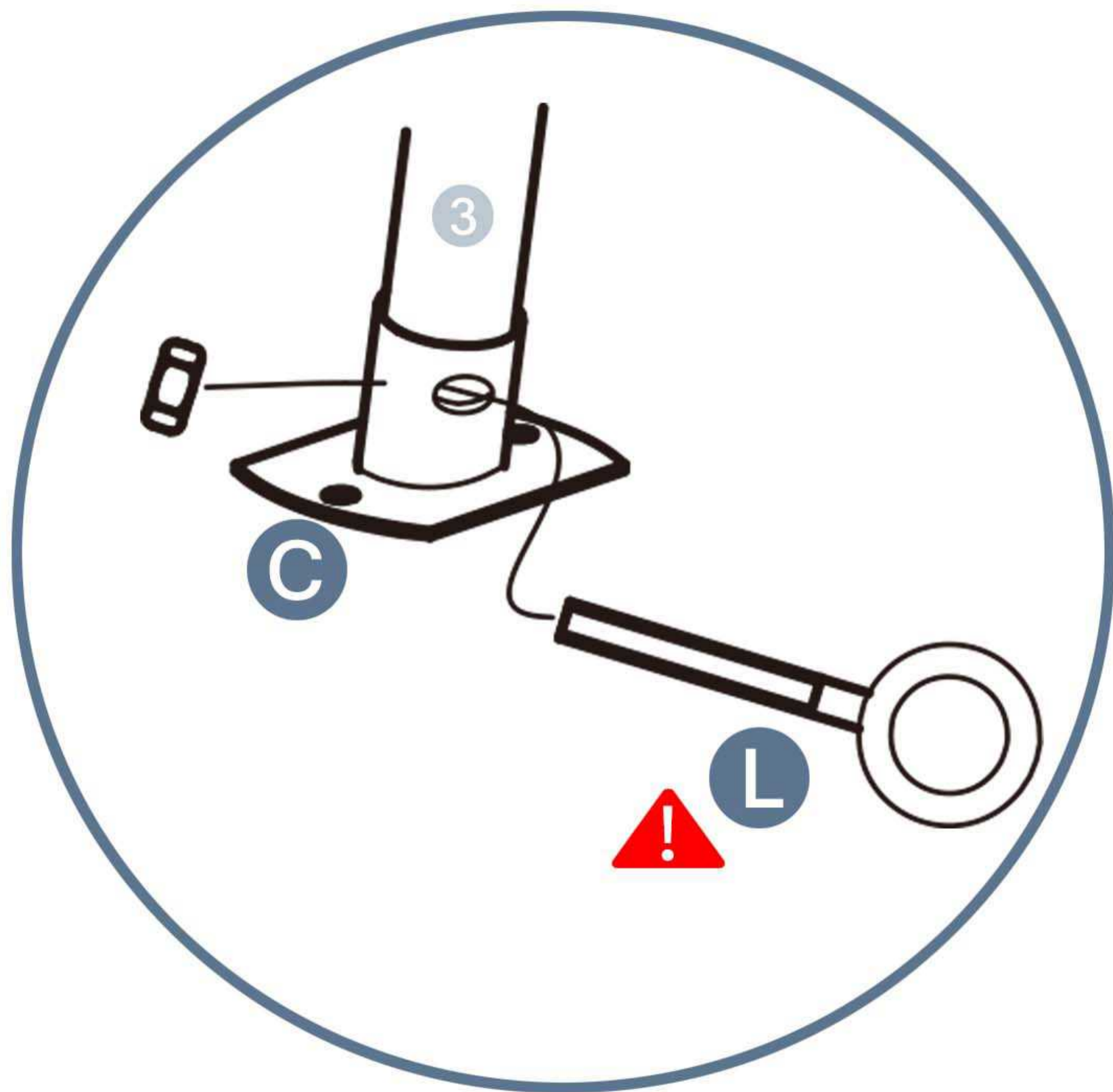
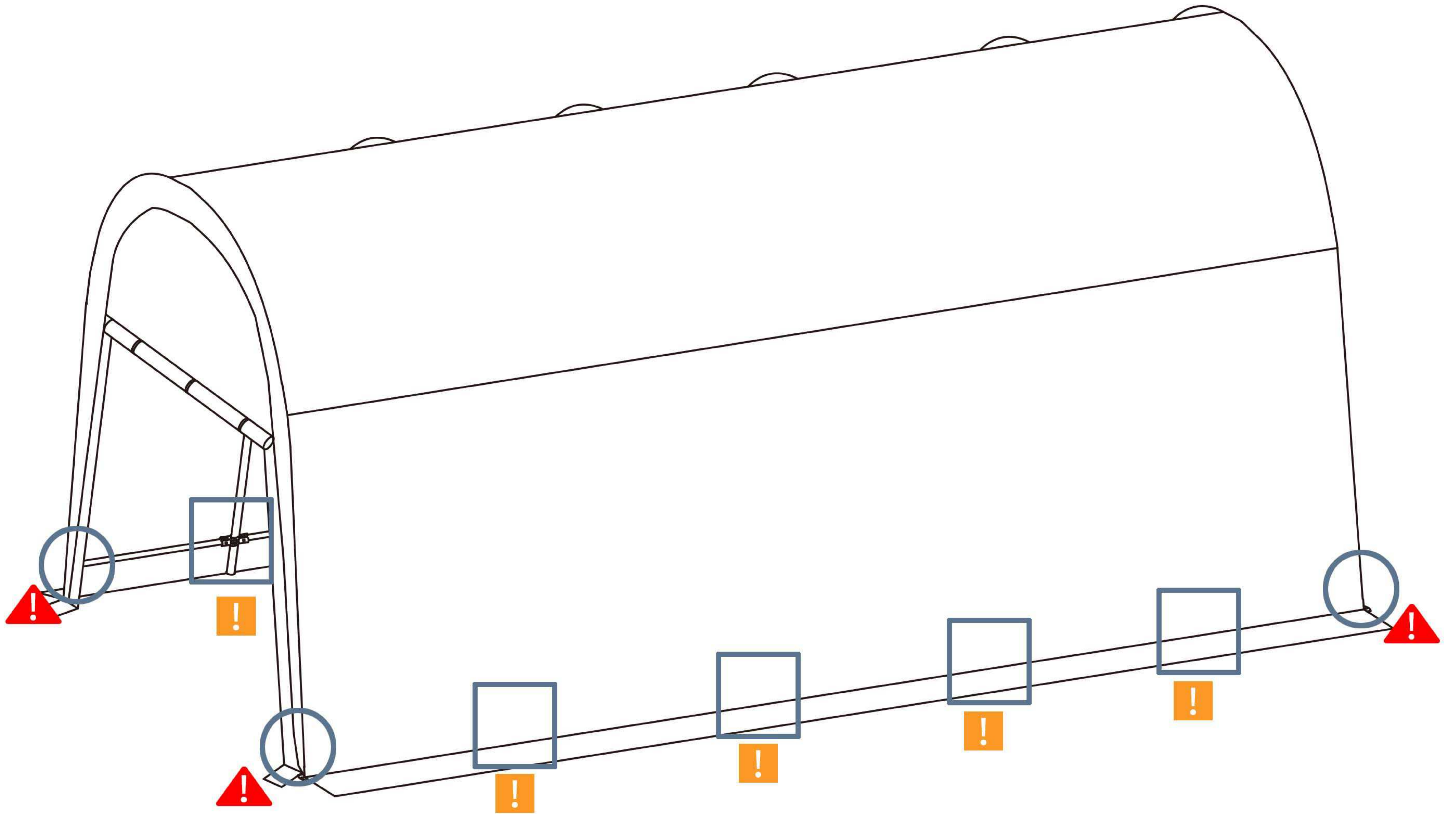
M8x50

K 8pcs



M8x50

L 4pcs



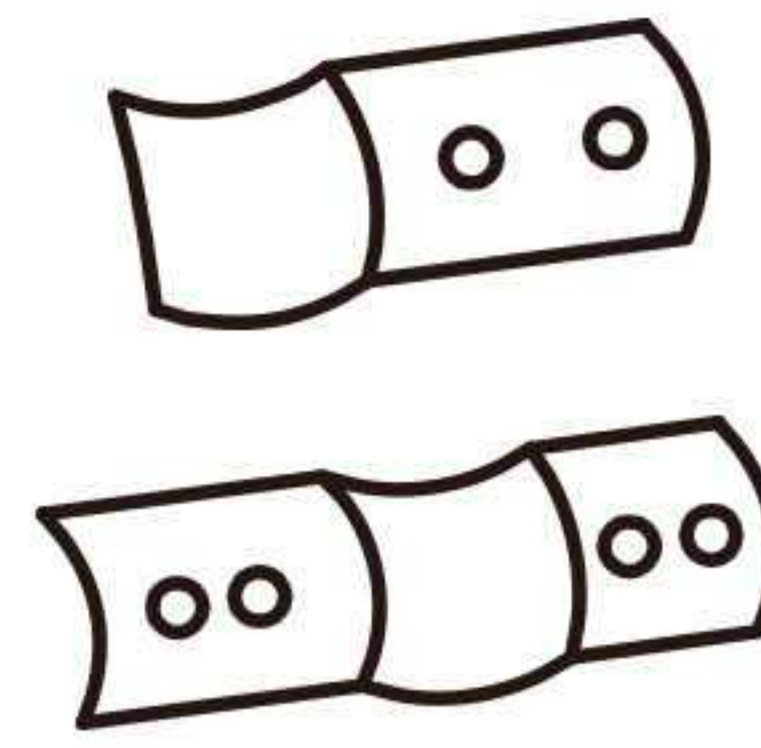
Pay attention to the difference of screws

Please take care of the screws and contact the after-sales service if there is any problem with the installation or parts.

E-mail: cs.helper01@gmail.com

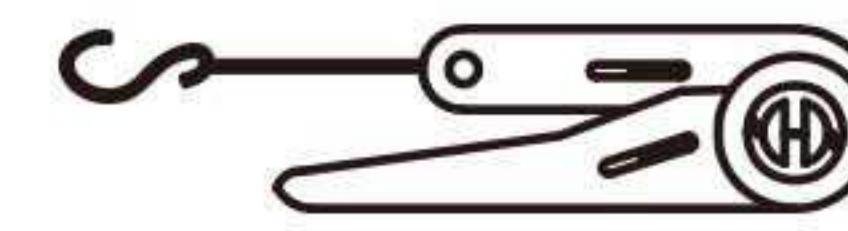
STEP 9

Parts required



I 8pcs

J 16pcs



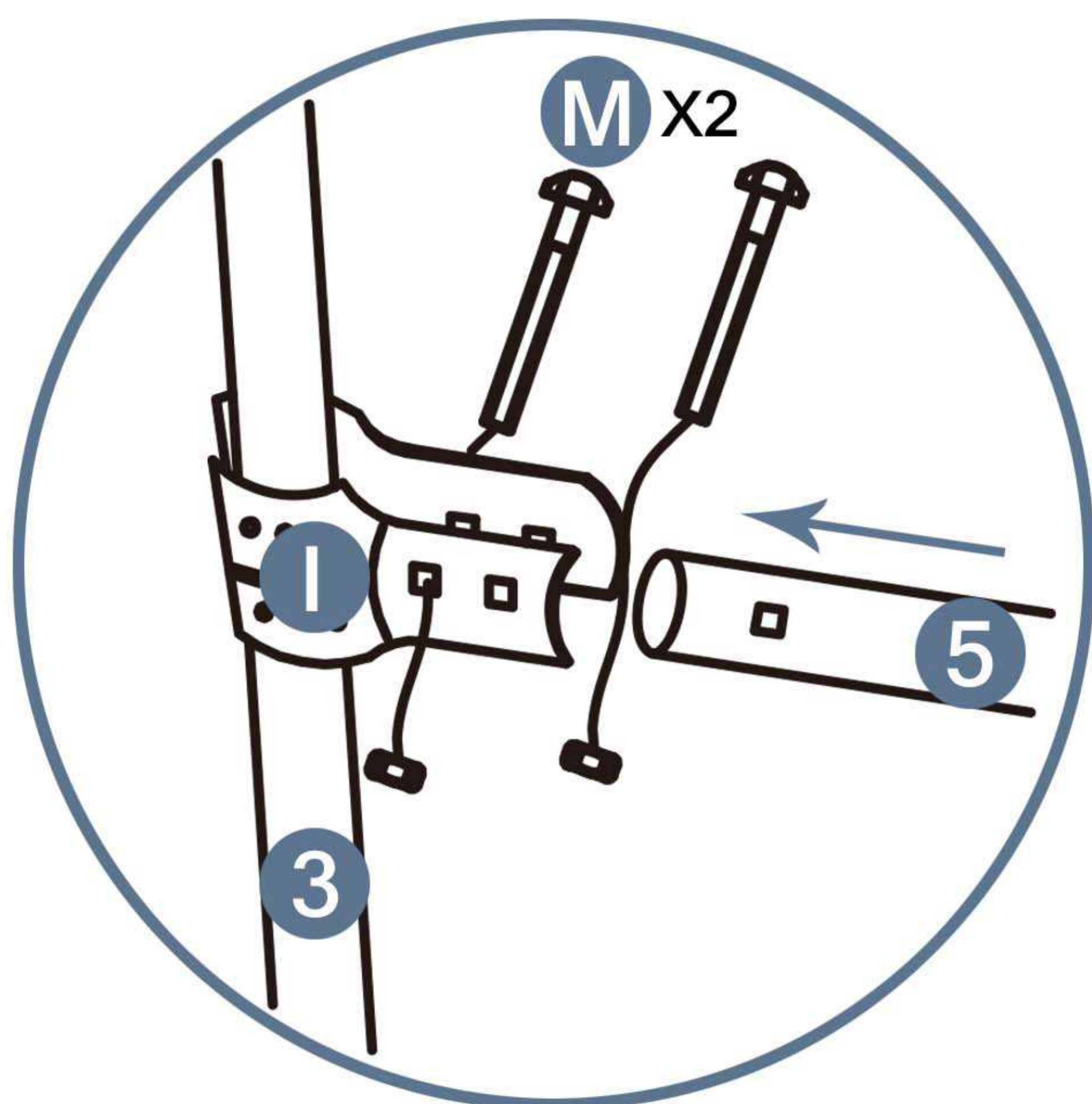
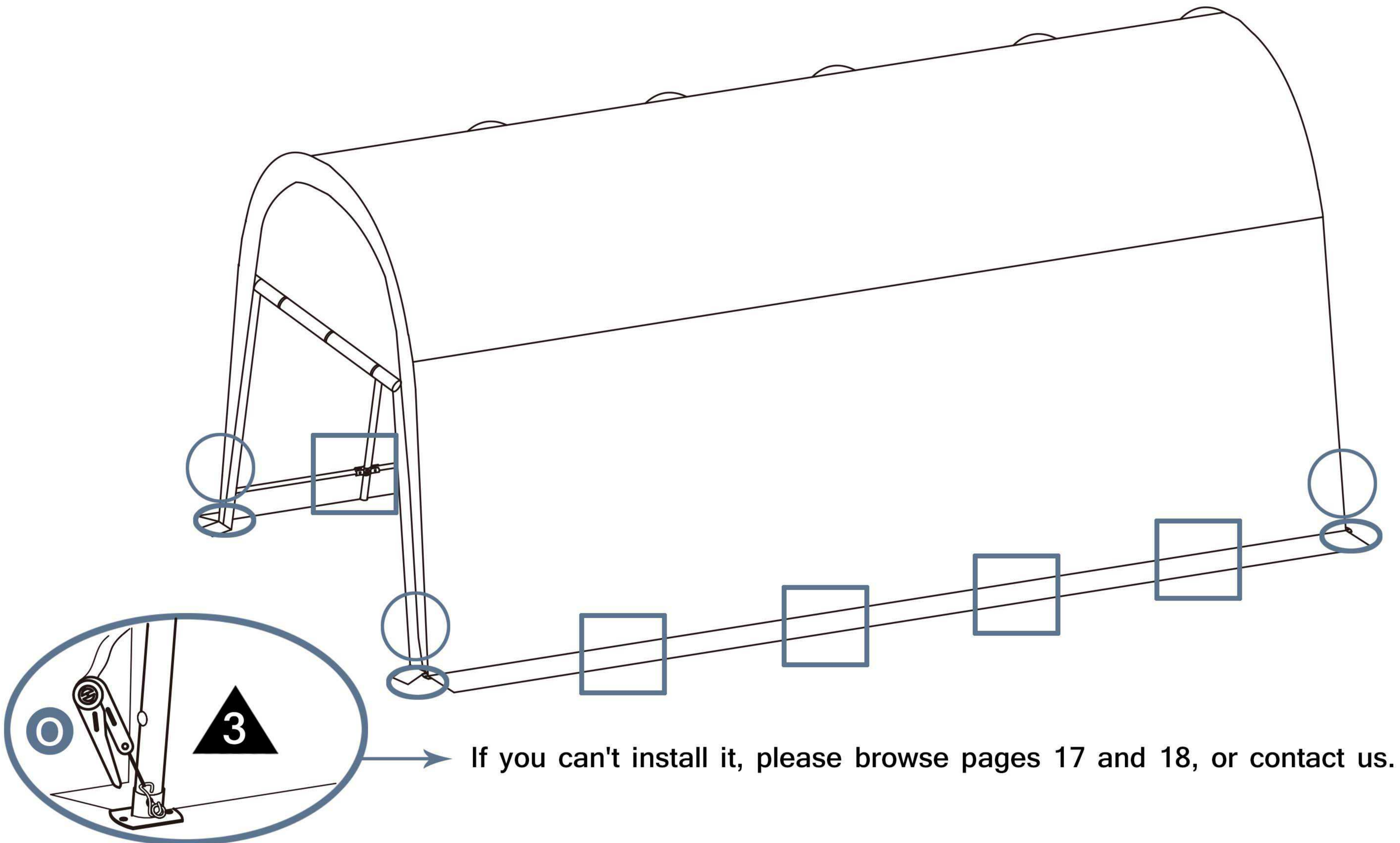
O 4pcs



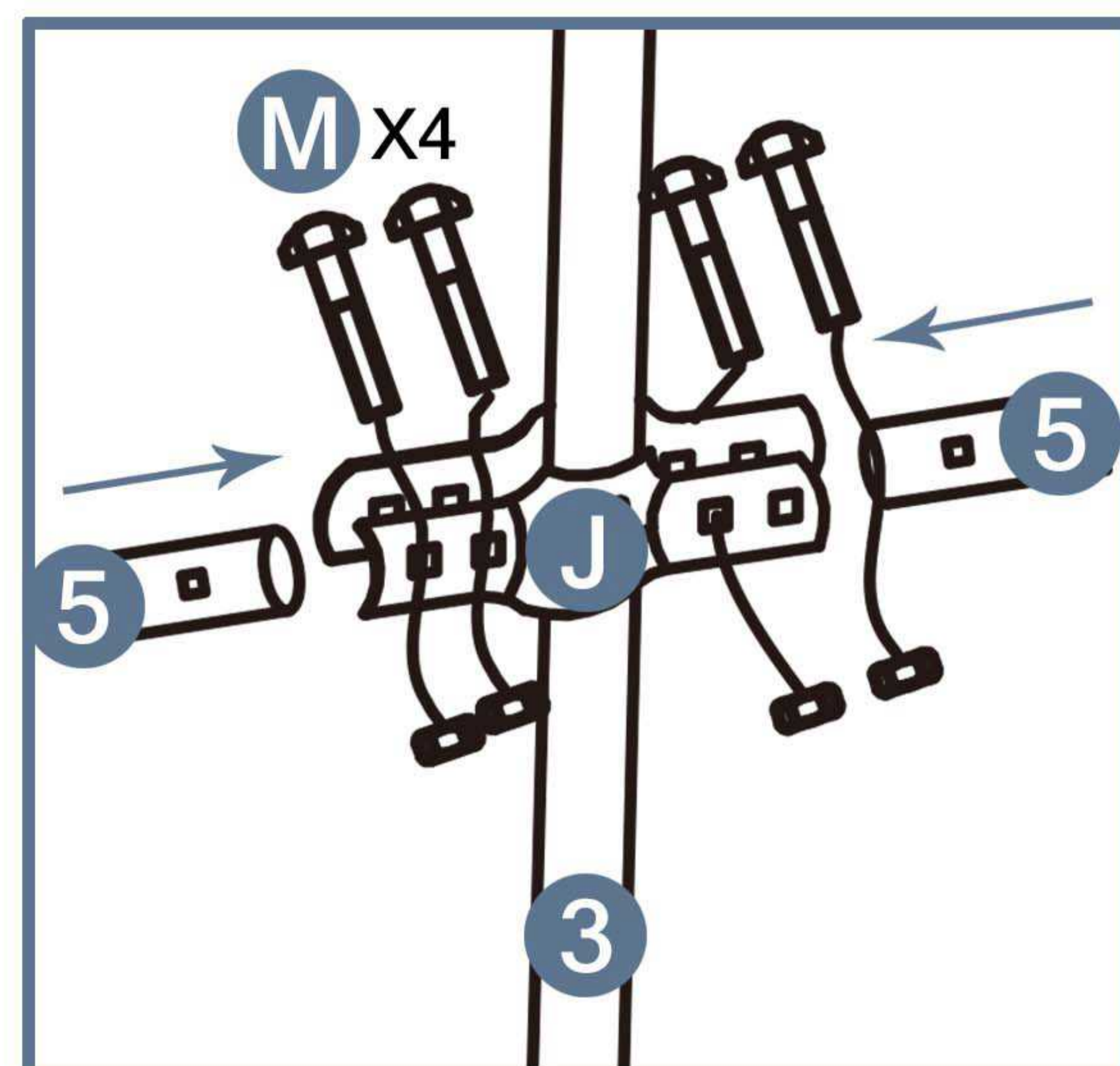
5 10pcs



M 40pcs



1



2

Please take care of the screws and contact the after-sales service if there is any problem with the installation or parts.



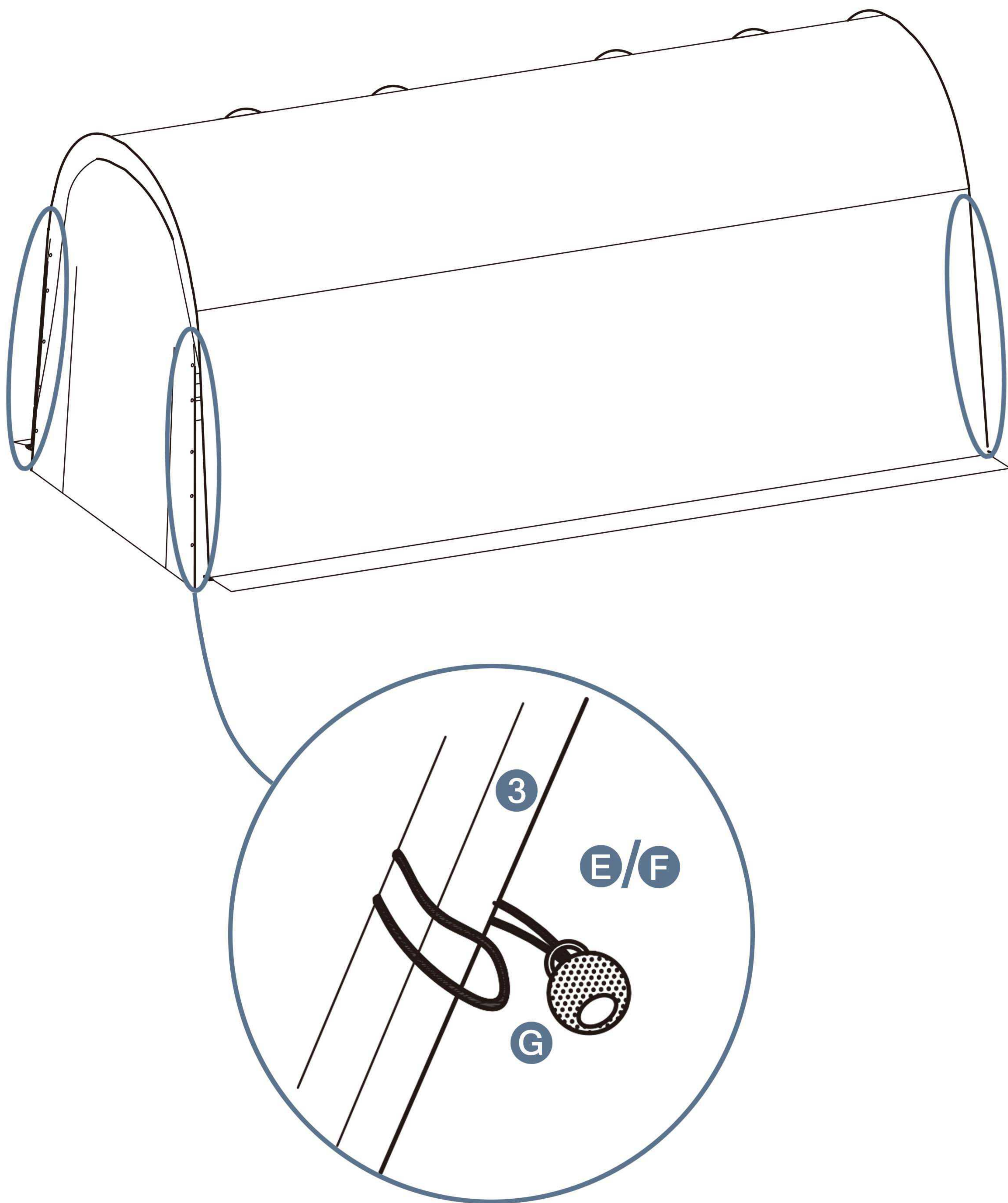
E-mail: cs.helper01@gmail.com

STEP 10

Parts required



G 18pcs



Please take care of the screws and contact the after-sales service if there is any problem with the installation or parts.

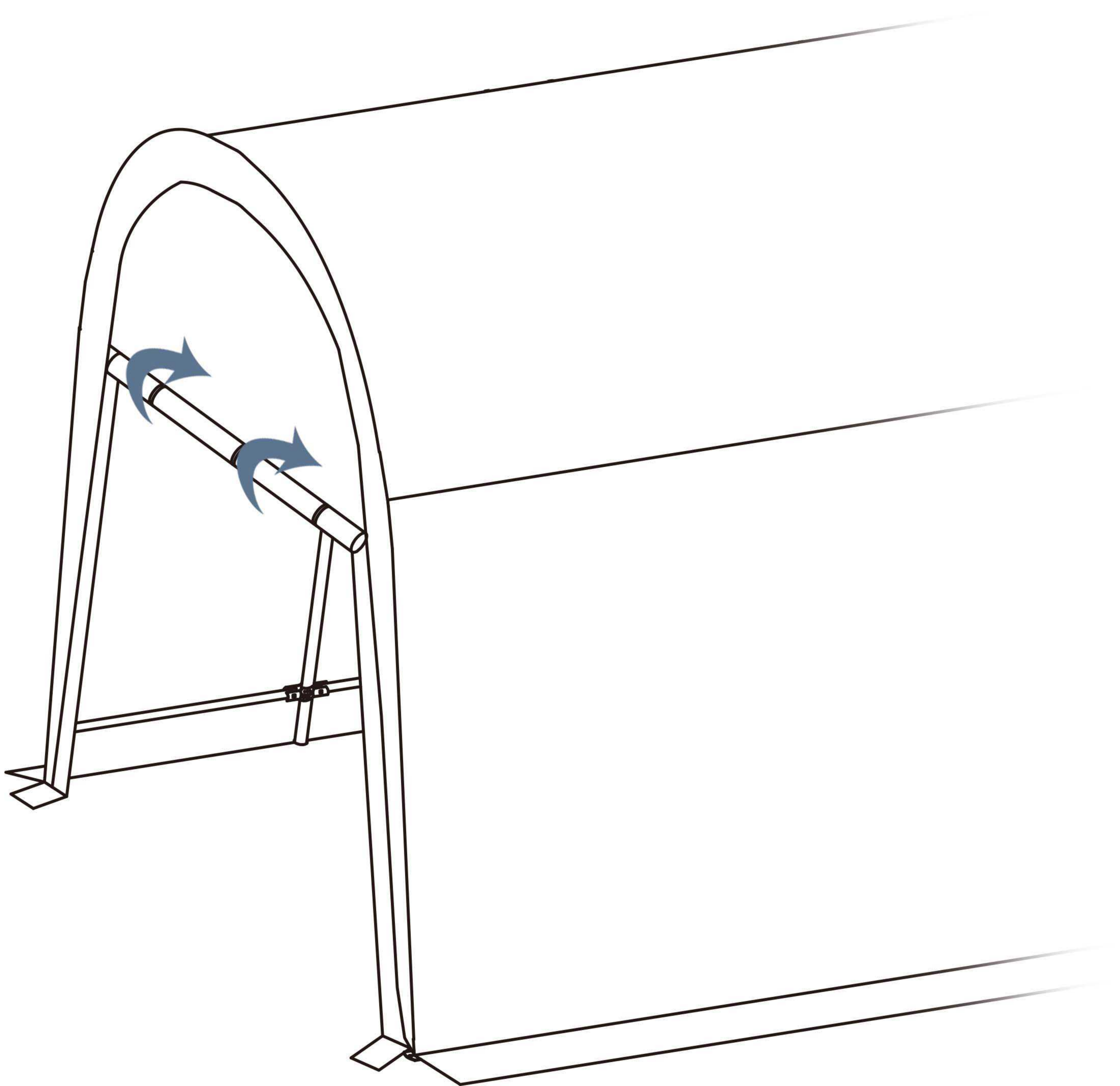


E-mail: cs.helper01@gmail.com

STEP 11

Parts required

Storage rope

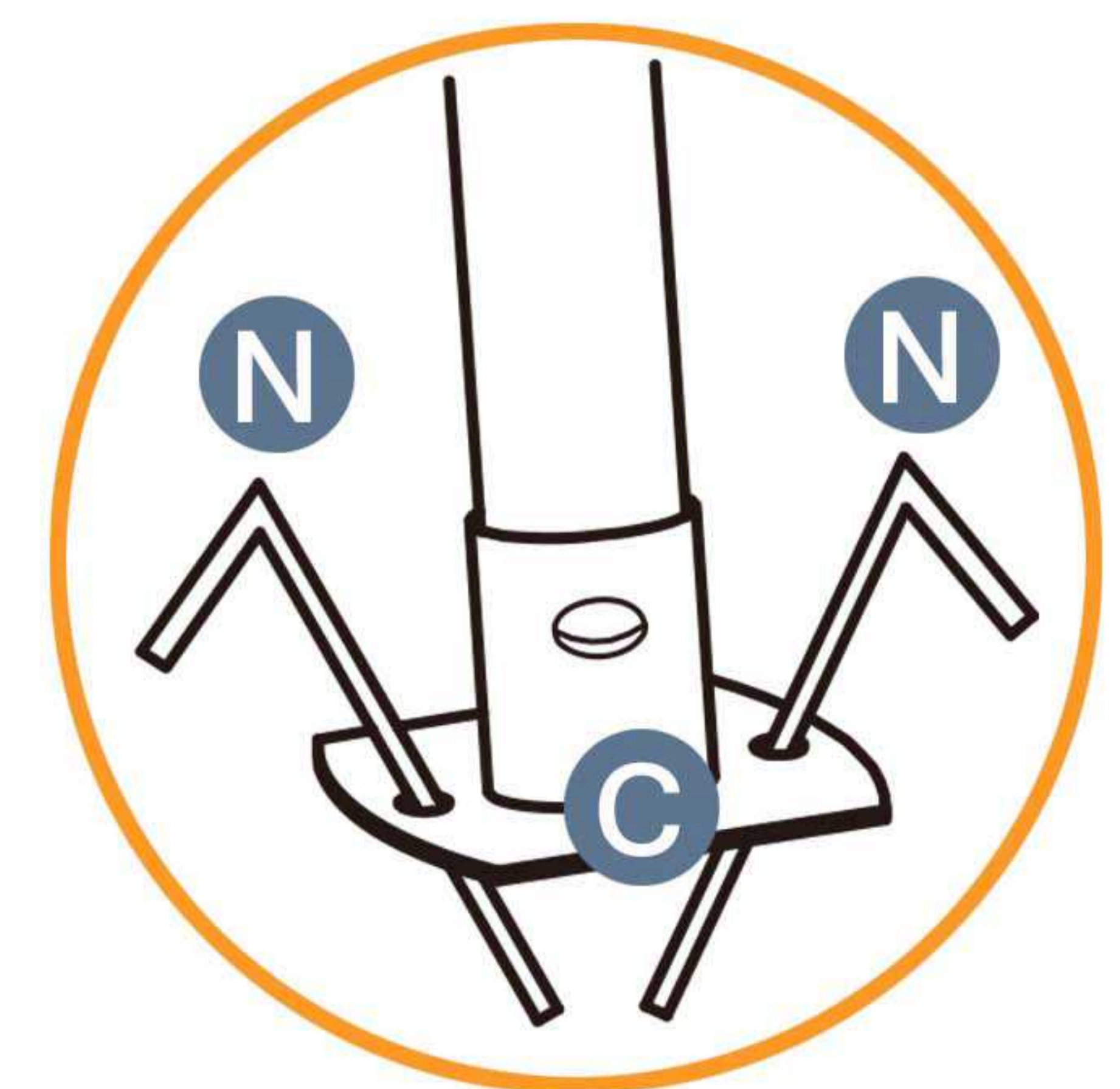
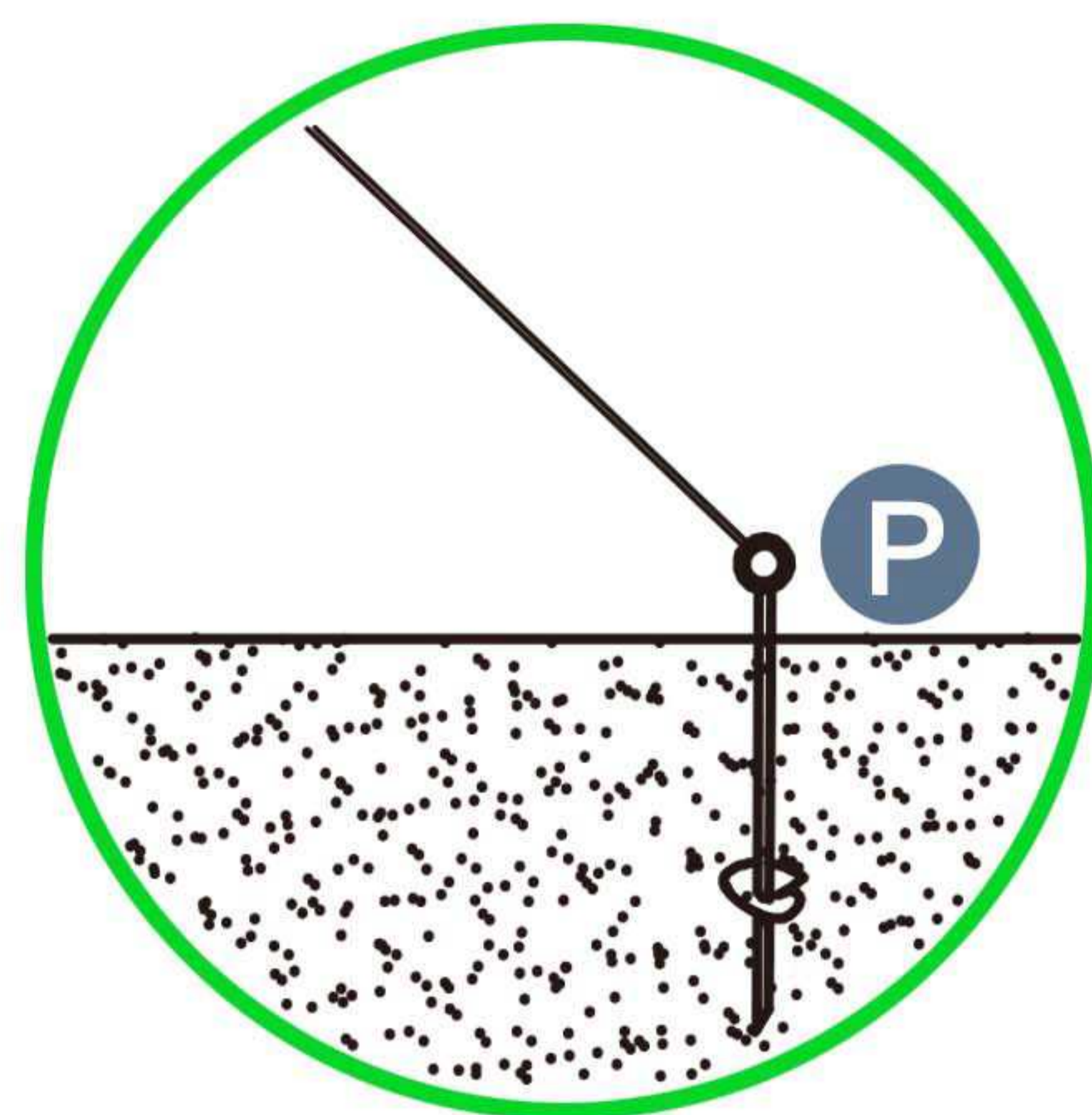
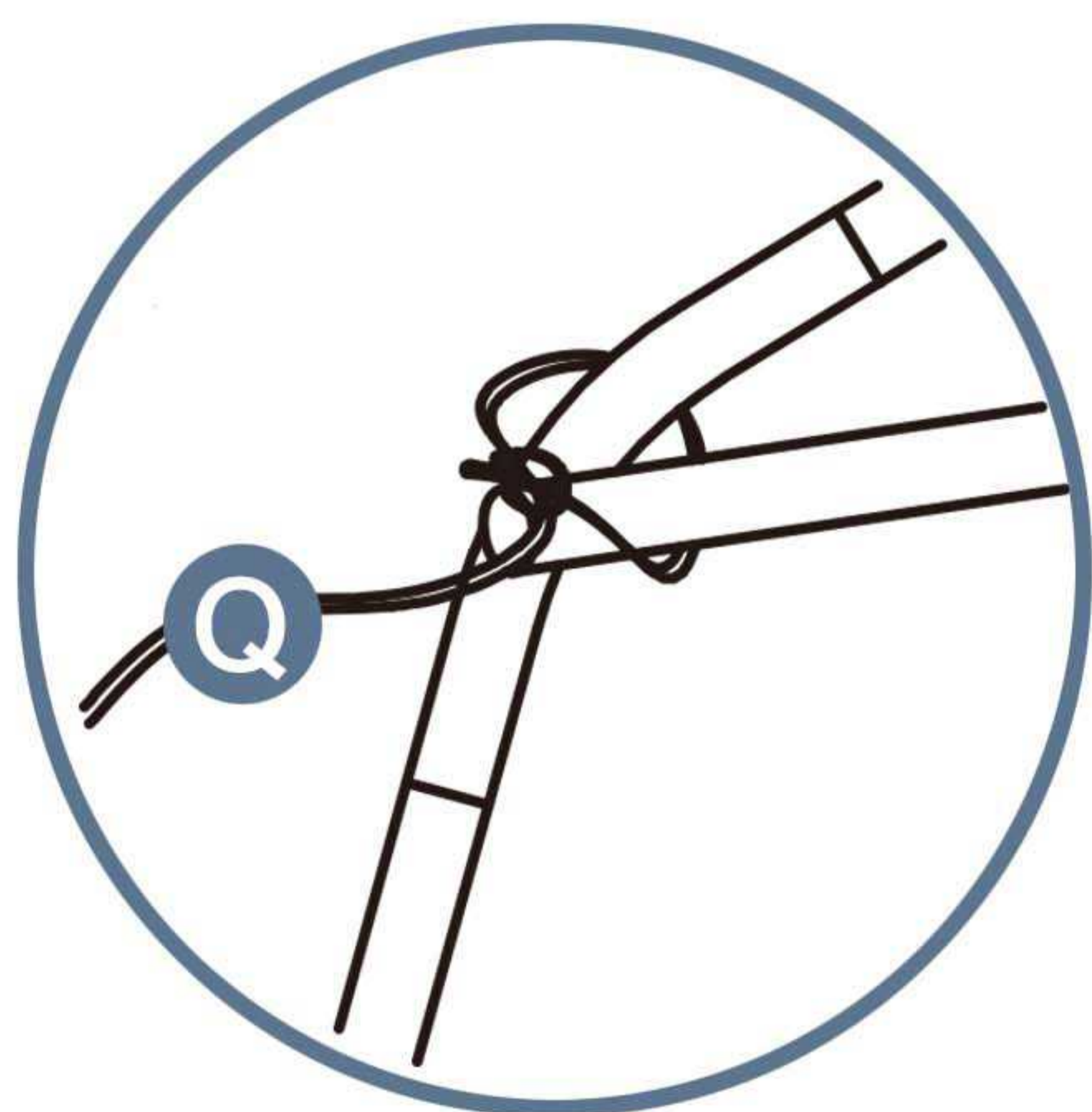
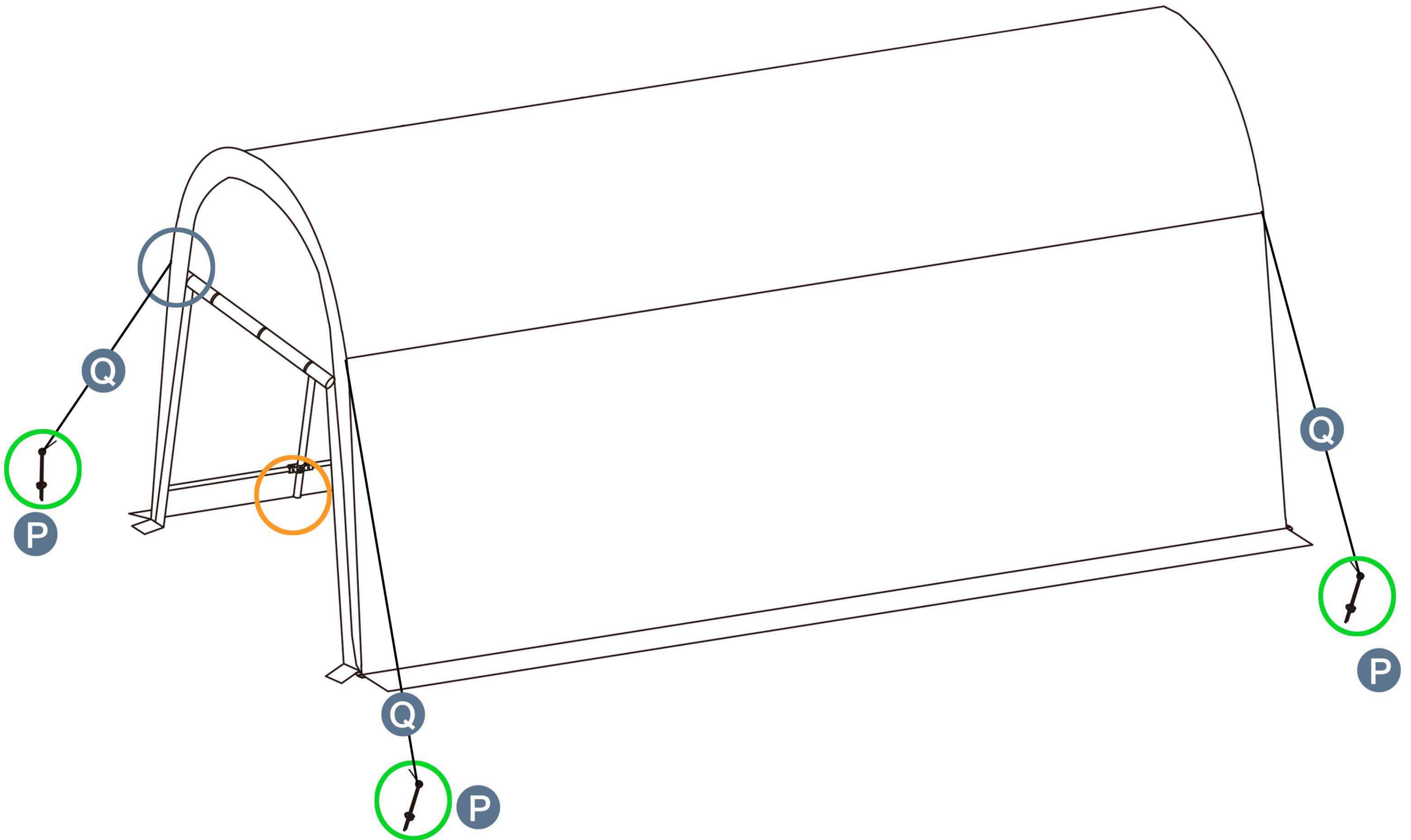
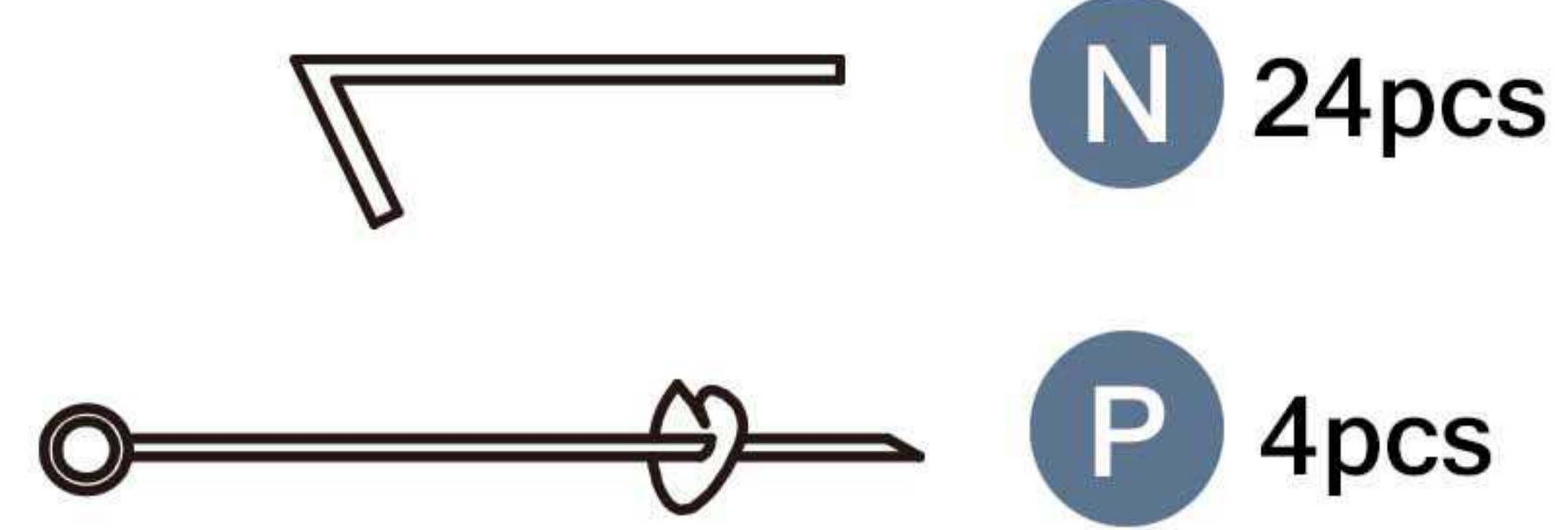


Please take care of the screws and contact the after-sales service if there is any problem with the installation or parts.



STEP 12

Parts required

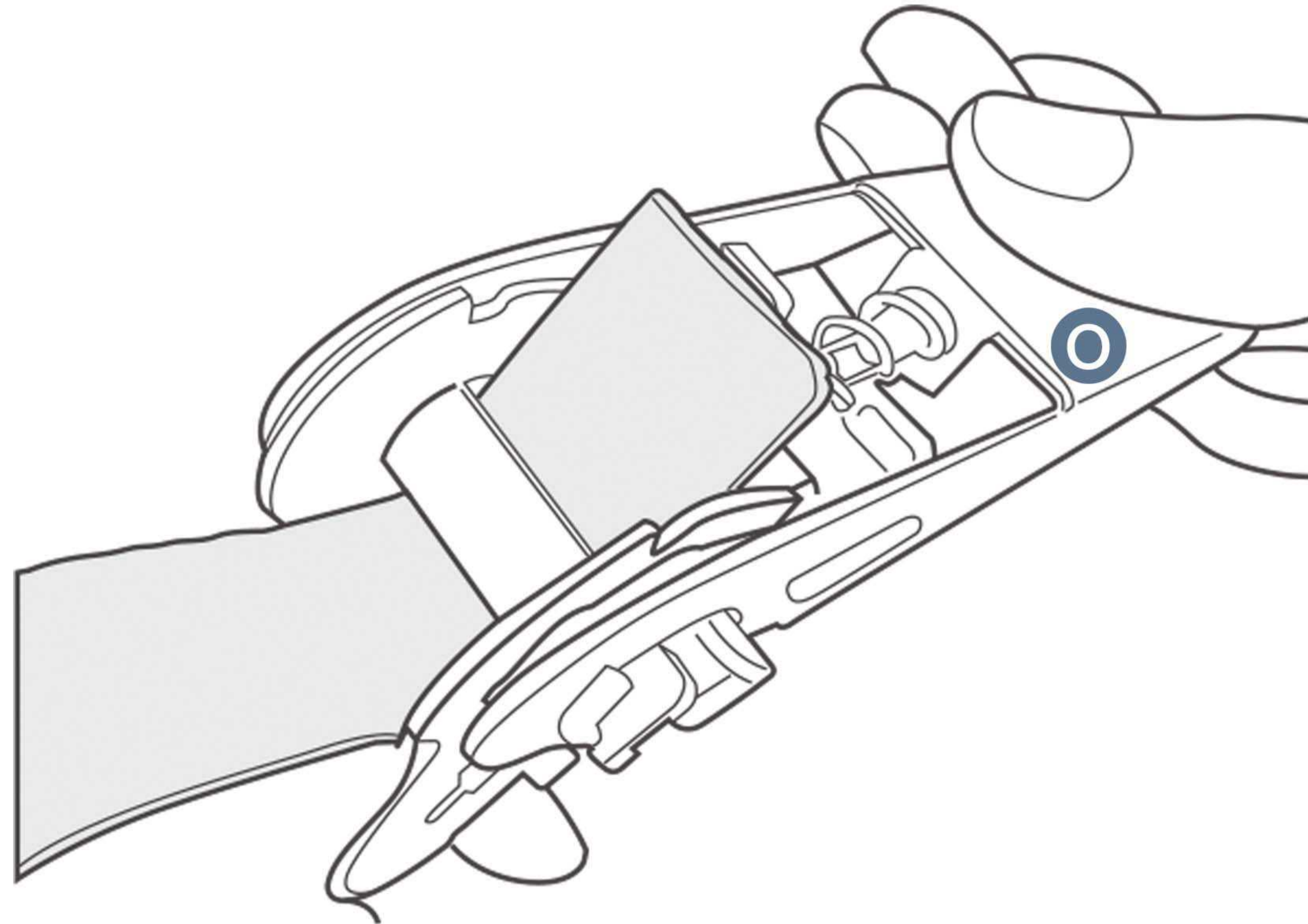


Please take care of the screws and contact the after-sales service if there is any problem with the installation or parts.

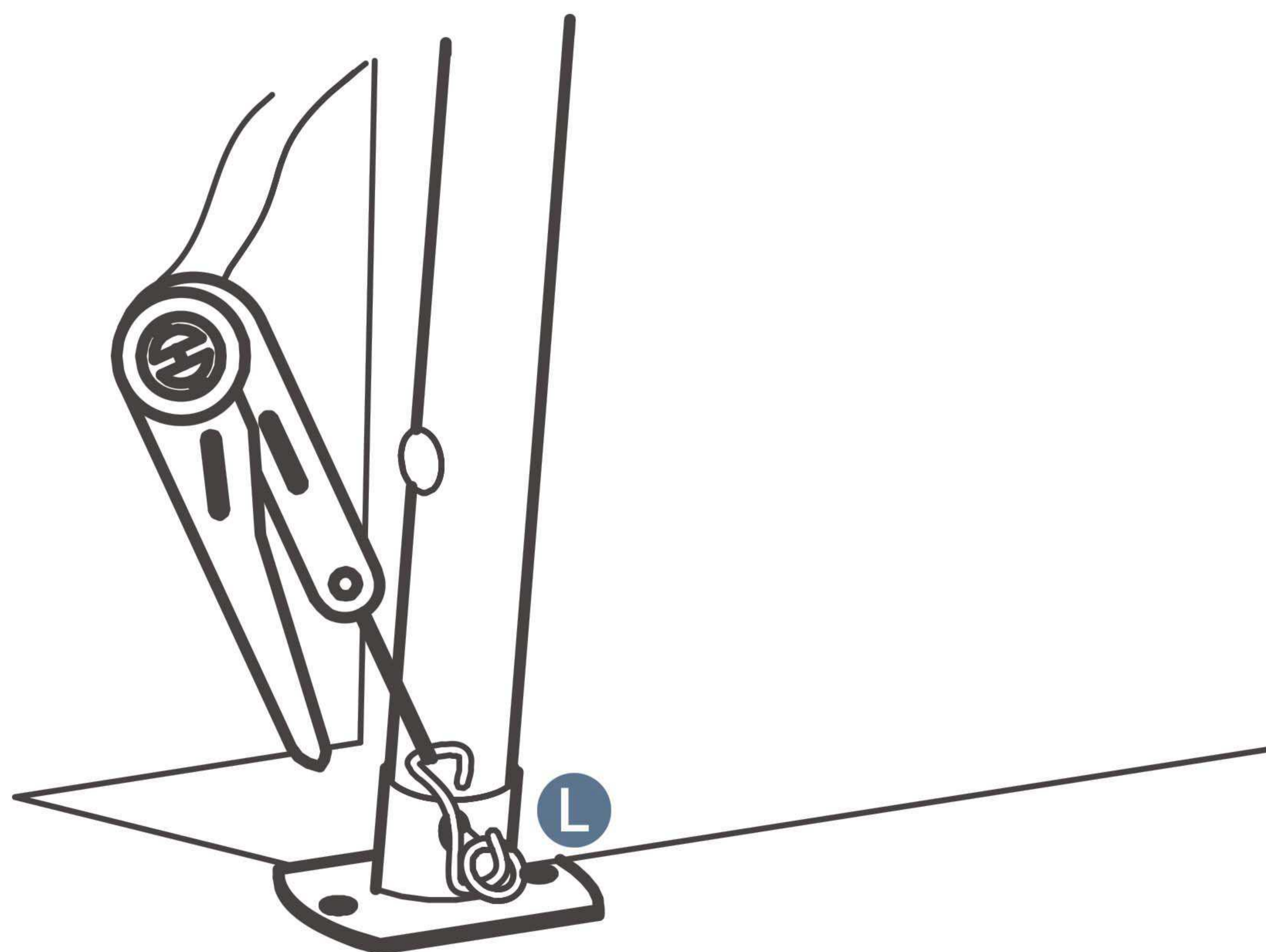
➔ ✉ E-mail: cs.helper01@gmail.com

Securing Ratchet Tie-Downs

1. Thread the strap through the Ratchet's "O" spindle as far as it will go.



2. Insert the S-hook of the Ratchet into the hole in the Corner Leg "L" .

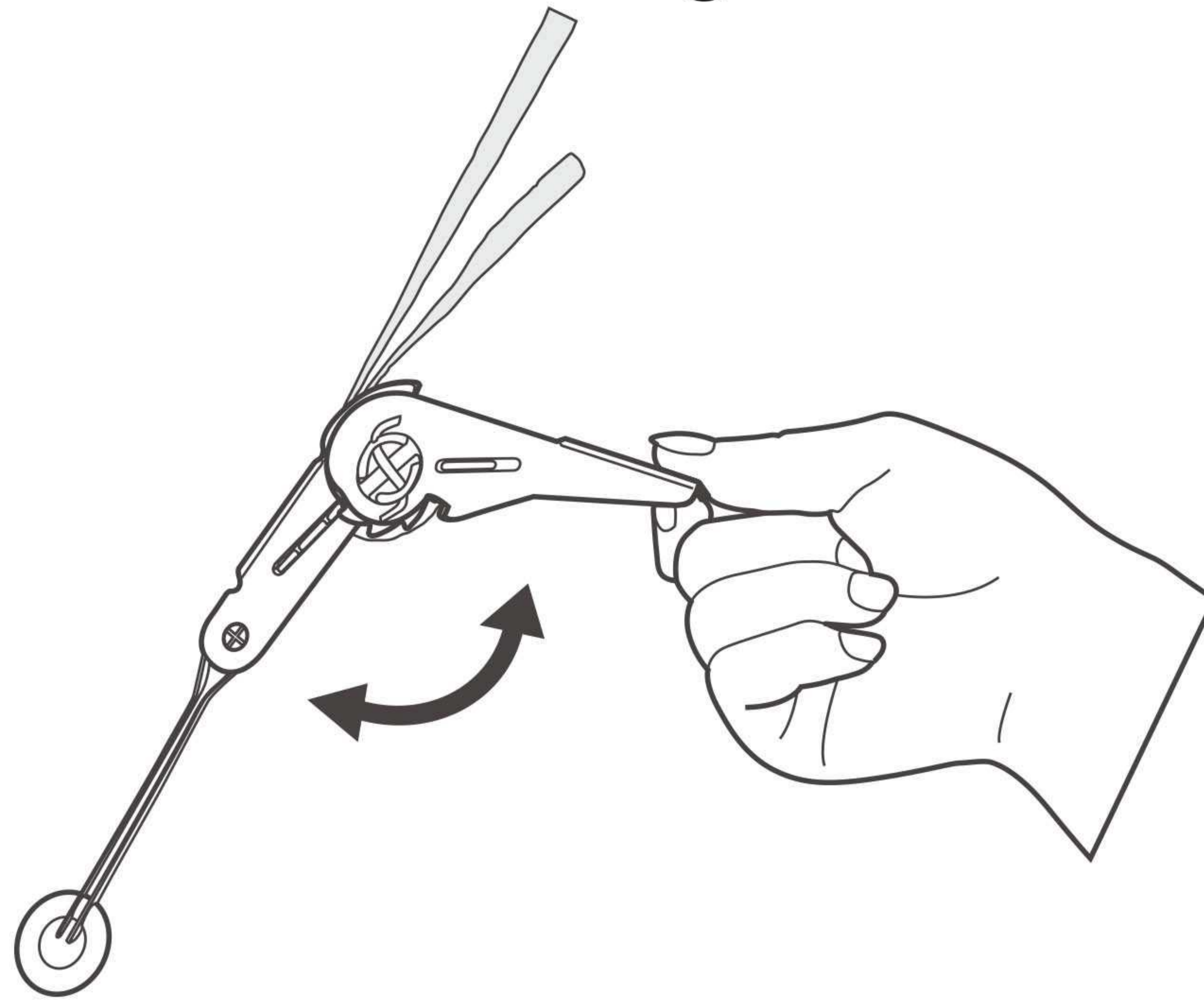


Please take care of the screws and contact the after-sales service if there is any problem with the installation or parts.



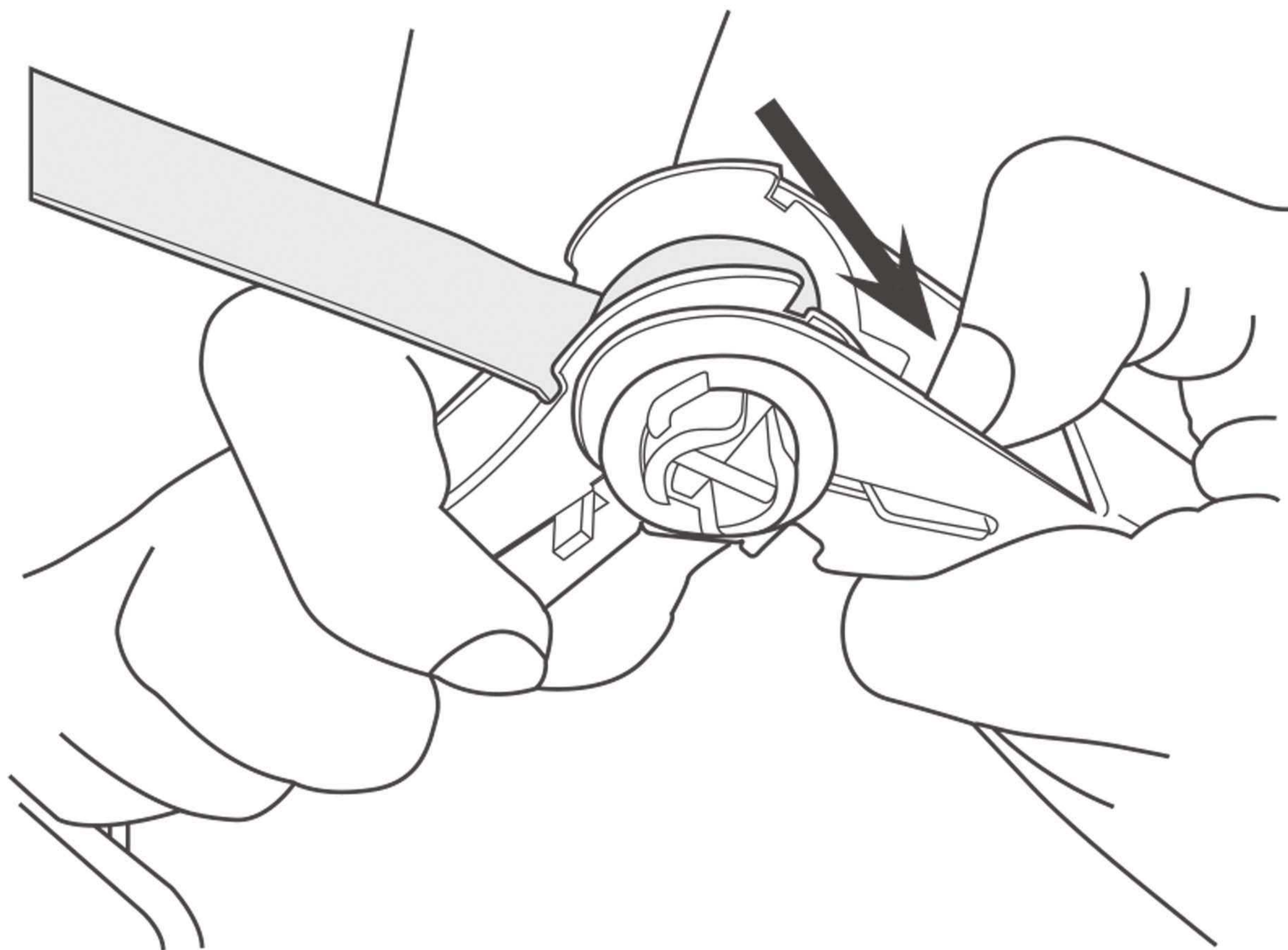
E-mail: cs.helper01@gmail.com

3. Lift and lower the Ratchet's handle to wind and tighten the strap onto the spindle. Excessive tightening will damage straps, Covers and Corner Legs.



Releasing Ratchet Tie-Downs

1. Depress the spring-loaded bar on the handle.
2. Open Ratchet handle completely.
3. Unwind the strap.



Hope you enjoy this product.

If you have any concerns about gazebo Installation, please feel free to contact us. We will reply within 24 hours.



E-mail: cs.helper01@gmail.com