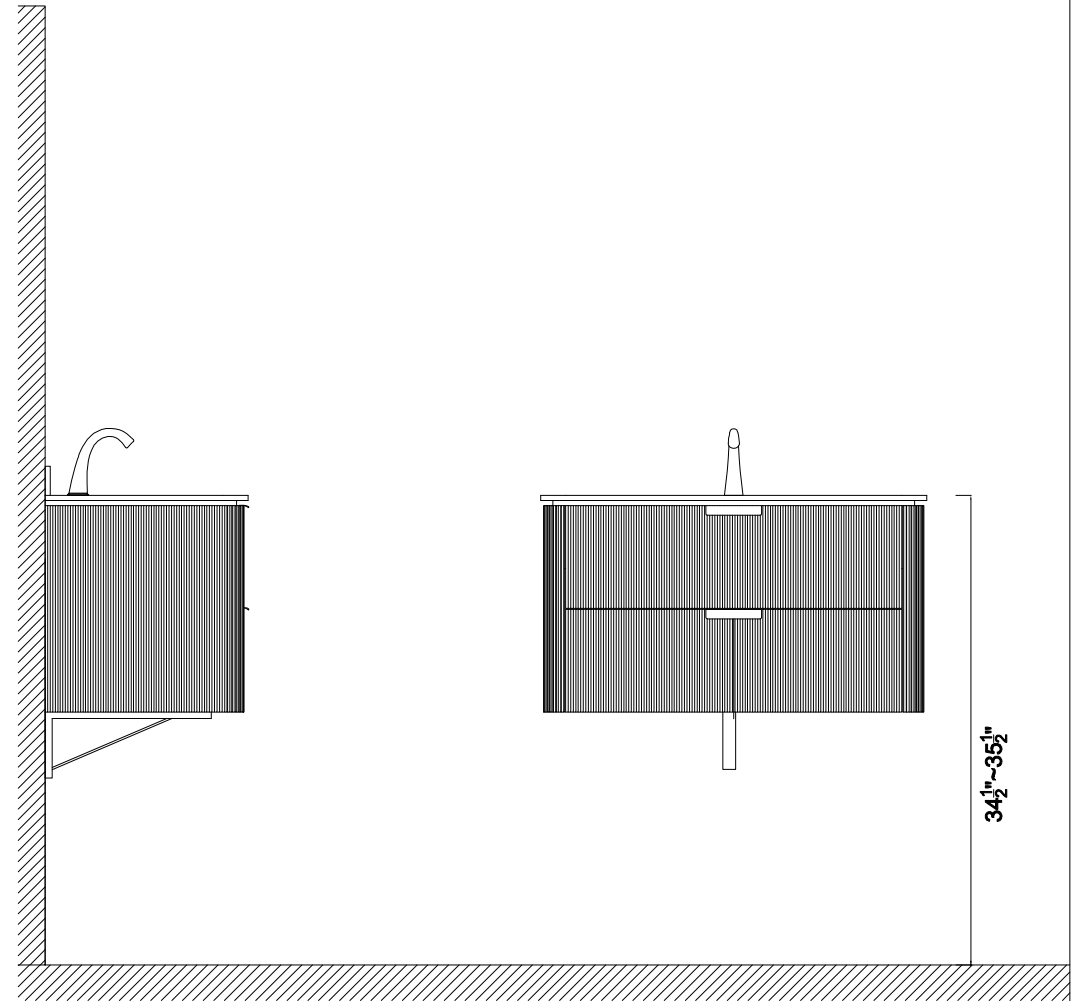


# INSTALLATION INSTRUCTIONS

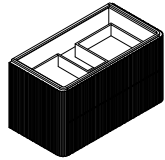
- Prior to installation please check received items against the Packing List .If any part is missing or damaged, please do not return the product to the store and contact us;  
Call: (302)336-8180  
Email: [vanityinservice@gmail.com](mailto:vanityinservice@gmail.com)
- Protect all surfaces from sharp objects , high heat sources,direct prolonged sunlight and chemical hazards .
- Professional installation is recommended !



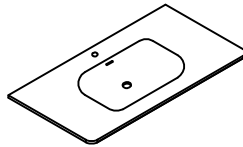
# INSTALLATION INSTRUCTIONS

## PACKING LIST

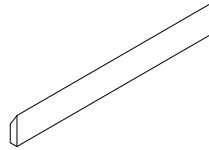
**A Main Vanity**  
1 PC



**B Top**  
1 PC

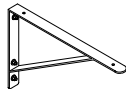


**C Wood Cleat**  
1 PC



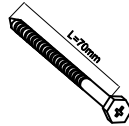
**D Metal Bracket**

24": 1pcs  
30": 1pcs  
36": 1pcs  
48": 2pcs  
60": 2pcs



**E Wood Screw**

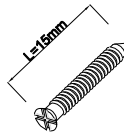
24": 5pcs  
30": 5pcs  
36": 5pcs  
48": 8pcs  
60": 8pcs



M5 x 70

**F Screw**

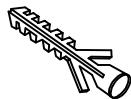
24": 3pcs  
30": 3pcs  
36": 3pcs  
48": 6pcs  
60": 6pcs



M4 x 15

**G Wall Anchor**

24": 5pcs  
30": 5pcs  
36": 5pcs  
48": 8pcs  
60": 8pcs



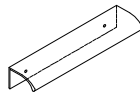
**H Metal Washers**

24": 5pcs  
30": 5pcs  
36": 5pcs  
48": 8pcs  
60": 8pcs



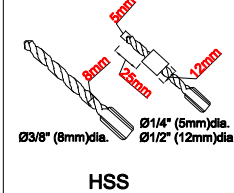
**I Handle**

24": 5pcs  
30": 2pcs  
36": 2pcs  
48": 4pcs  
60": 6pcs

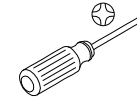


## TOOLS REQUIRED

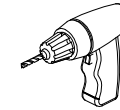
**Drill Bits**



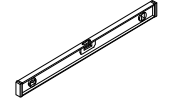
**Screw Driver**



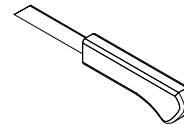
**Drill**



**Level**



**Knife**



**Glove**



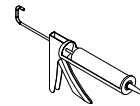
**MASONRY DRILL BIT FOR TILE Ø3/8" (8mm)**



**Safety Glasses**



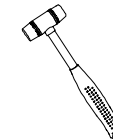
**Silicone**



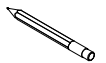
**Measuring Tape**



**Soft Head Hammer**



**Pencil**



# INSTALLATION INSTRUCTIONS

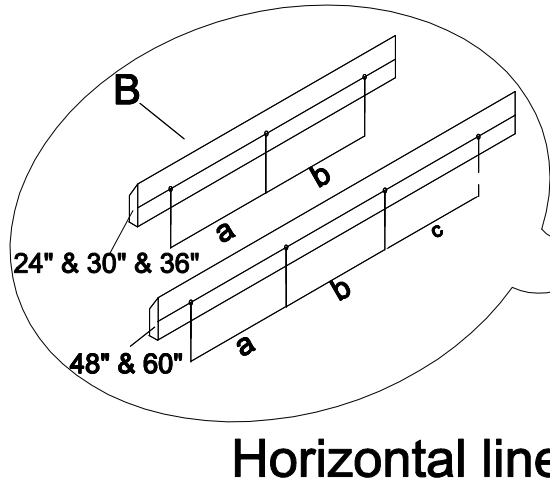
- STEP 1:**
- Use a wood stud finder to locate the wood studs behind the walls , and then mark by pencil.
  - Use a pencil to mark the installation location on the **Wood Cleat (B)** , according to the Wood stud's location.
  - Use a level to ensure the **Wood Cleat (B)** will be level before installing to the wall.

**NOTE**

Make sure the screw holes must be on the wood studs otherwise the vanity will fall out because the dry wall cannot hold the cabinet.

vanity	hole	a	b	c
24"	3	8"	8"	-
30"	3	12"	12"	-
36"	3	12"	12"	-
48"	4	12"	12"	12"
60"	4	12"	24"	12"

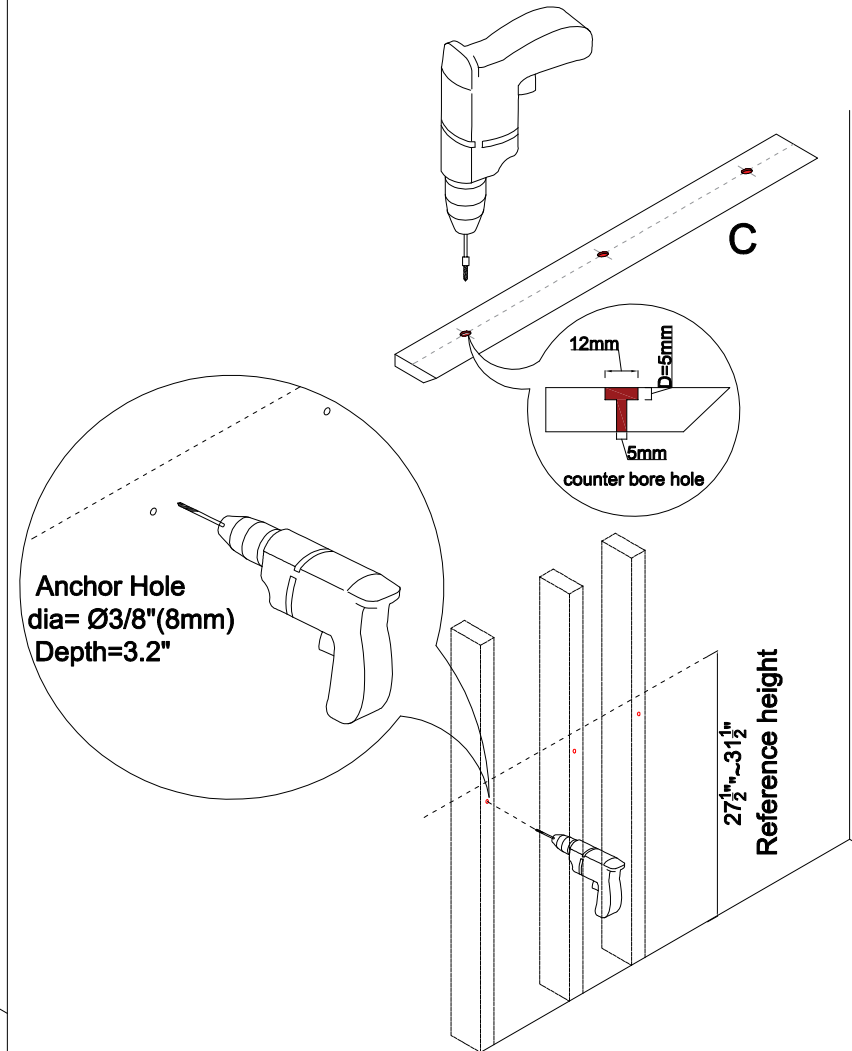
NOTE: The a/b/c value is for reference only , please according to the Wood stud's location.



Wood stud

3 1/2\" ~ 3 3/4\"  
Reference height

- STEP 2:** Drill the holes according to the marks using a drill.

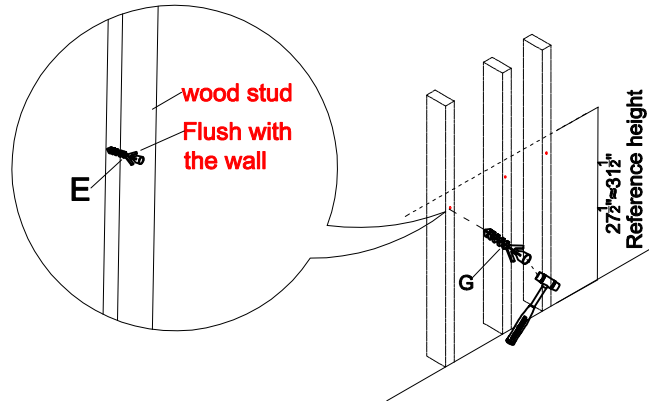


Anchor Hole  
dia=  $\varnothing 3/8$ "(8mm)  
Depth=3.2"

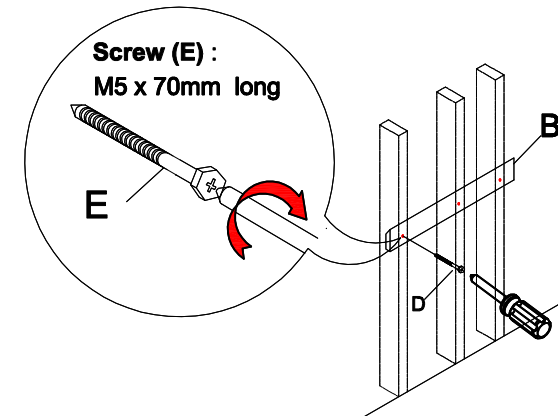
27 1/2\" ~ 31 1/2\"  
Reference height

# INSTALLATION INSTRUCTIONS

**STEP 3:** Install the **Wall Anchors (E)** provided into the wall with hammer.

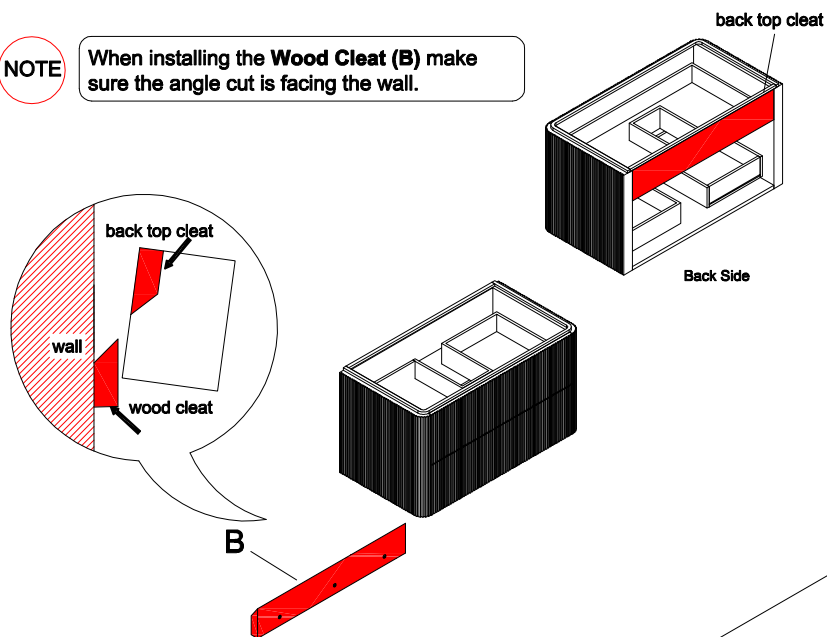


**STEP 4:** Install the **Wood cleat (B)** to the wood studs by screw driver.



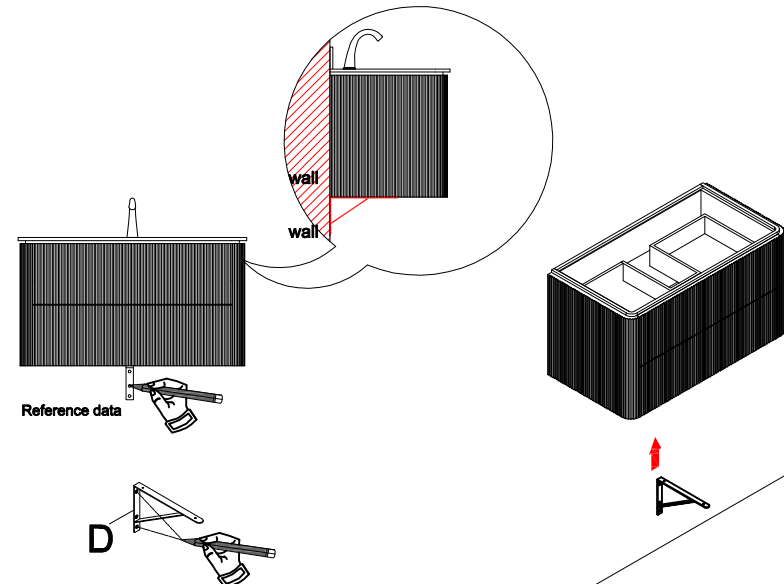
**STEP 5:** With help from another person, carefully hang the **Vanity (A)** onto the **Wood Cleat (C)**.

**NOTE** When installing the **Wood Cleat (B)** make sure the angle cut is facing the wall.



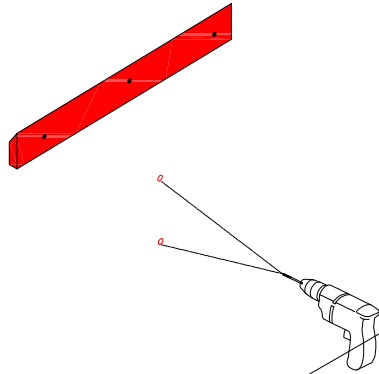
**STEP 6:** Using a pencil to mark the installation location for the **Metal Brackets (D)**.

**NOTE** Make sure the **Metal Brackets (D)** are installed on the wood studs.



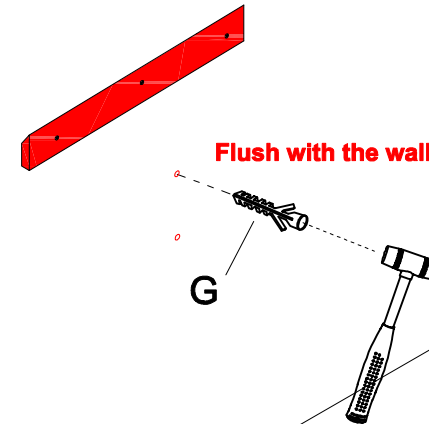
# INSTALLATION INSTRUCTIONS

**STEP 7:** Carefully remove the Vanity (A) with the help from another person, and then drill the anchor holes according to the marks using a drill.

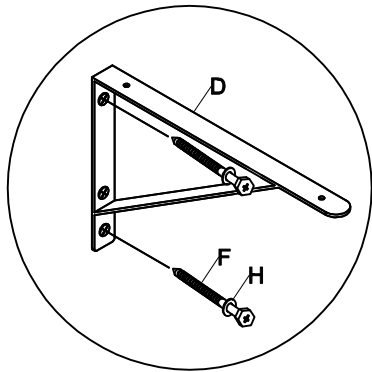


Anchor Hole  
dia=  $\text{Ø}3/8''$  (8mm)  
Depth=  $3\frac{1}{2}''$

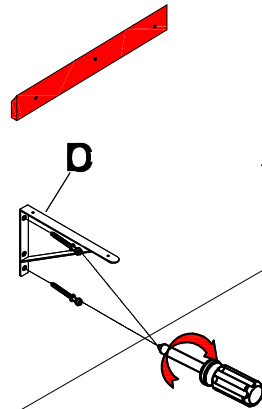
**STEP 8:** Install the Wall Anchors (G) provided into the wall with hammer.



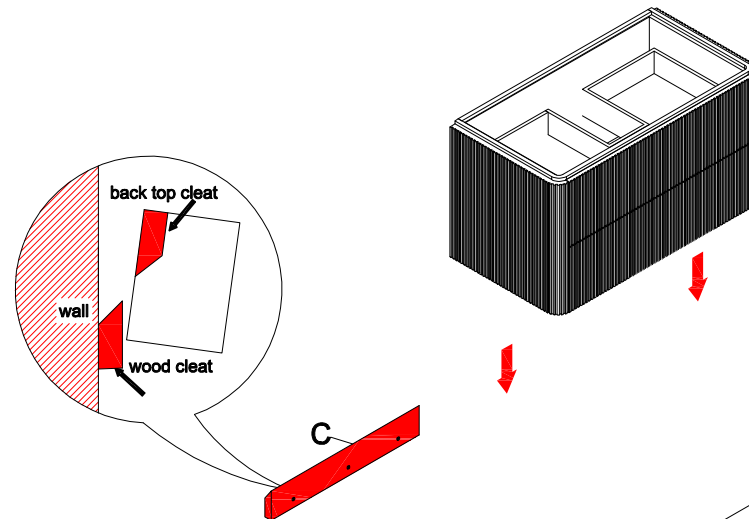
**STEP 9:** Install the Metal Bracket (C) to the wood studs by screw driver.



Screw (F):  
M5x 70mm long  
4pcs

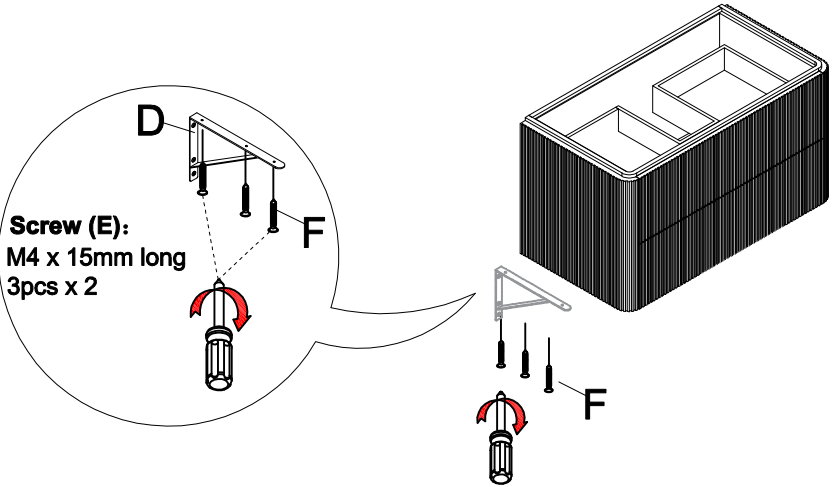


**STEP 10:** Hang the Vanity (A) to the wall and then connect the Vanity (A) to the Wood Cleat (C).

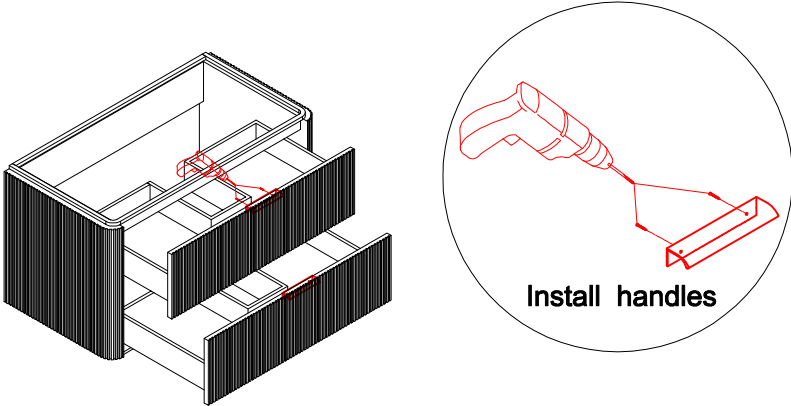


# INSTALLATION INSTRUCTIONS

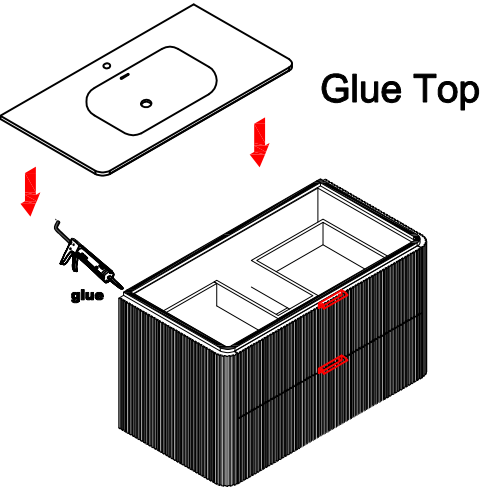
**STEP 11:** Connect the **Metal Bracket (C)** to the **Vanity (A)** with **Screws (E)**.



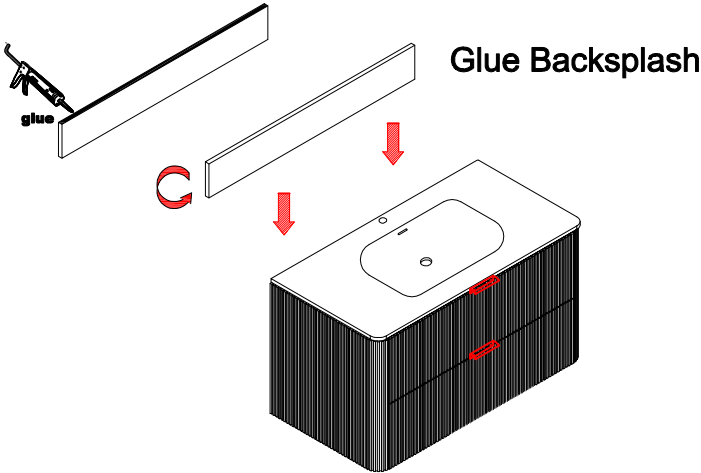
**STEP 12:** Using a **Screw(F)** to mark the installation location for the **Handle (I)** in the middle .



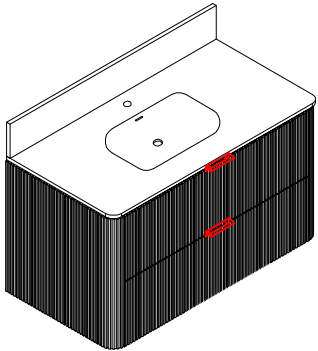
**STEP 13:**



**STEP 14:**



**STEP 15:**



 **24H!**  
**Dry Time**  
**Clean Glue**