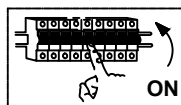
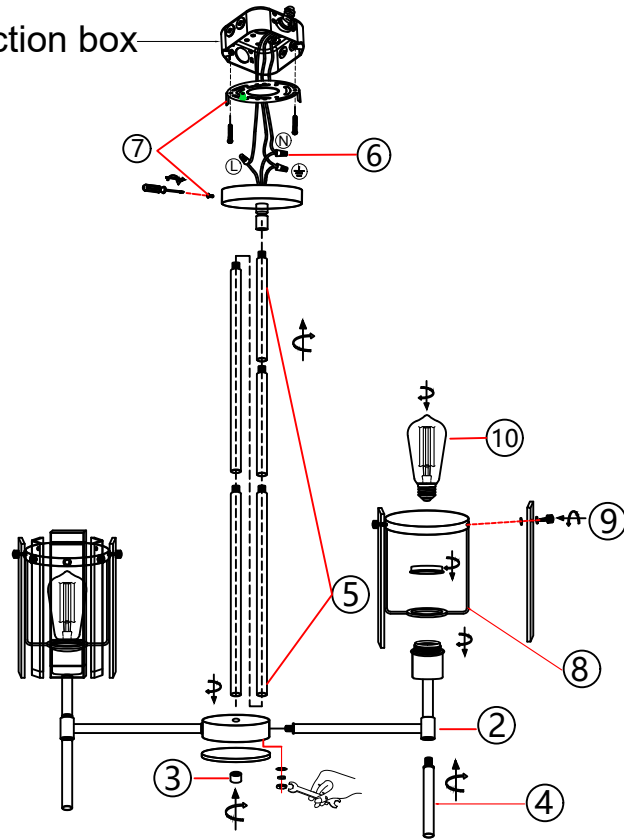
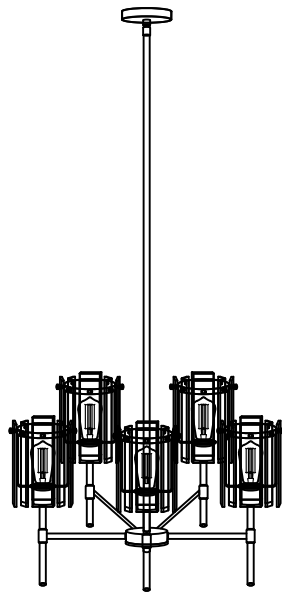


1

Junction box



11

- 1: Shut down the power.
- 2: Tighten the five lamp arms onto the central disc and adjust the position of each lamp arm.
- 3: Tighten the center base cover.
- 4: Screw on the decorative iron pipe.
- 5: Connect three long straight pipes and two short straight pipes together and then twist them continuously onto the central disc.
- 6: Tighten the wiring end cover in the correct manner.
- 7: Tighten and fix the installation plate onto the junction box, and then secure the screws on both sides of the ceiling.
- 8: Install the metal lampshade frame.
- 9: Attach the glass to the hardware frame using screws.
- 10: Insert the E26 long bulb into the lamp socket.
- 11: Turn on the main power supply, and the lights will come on.