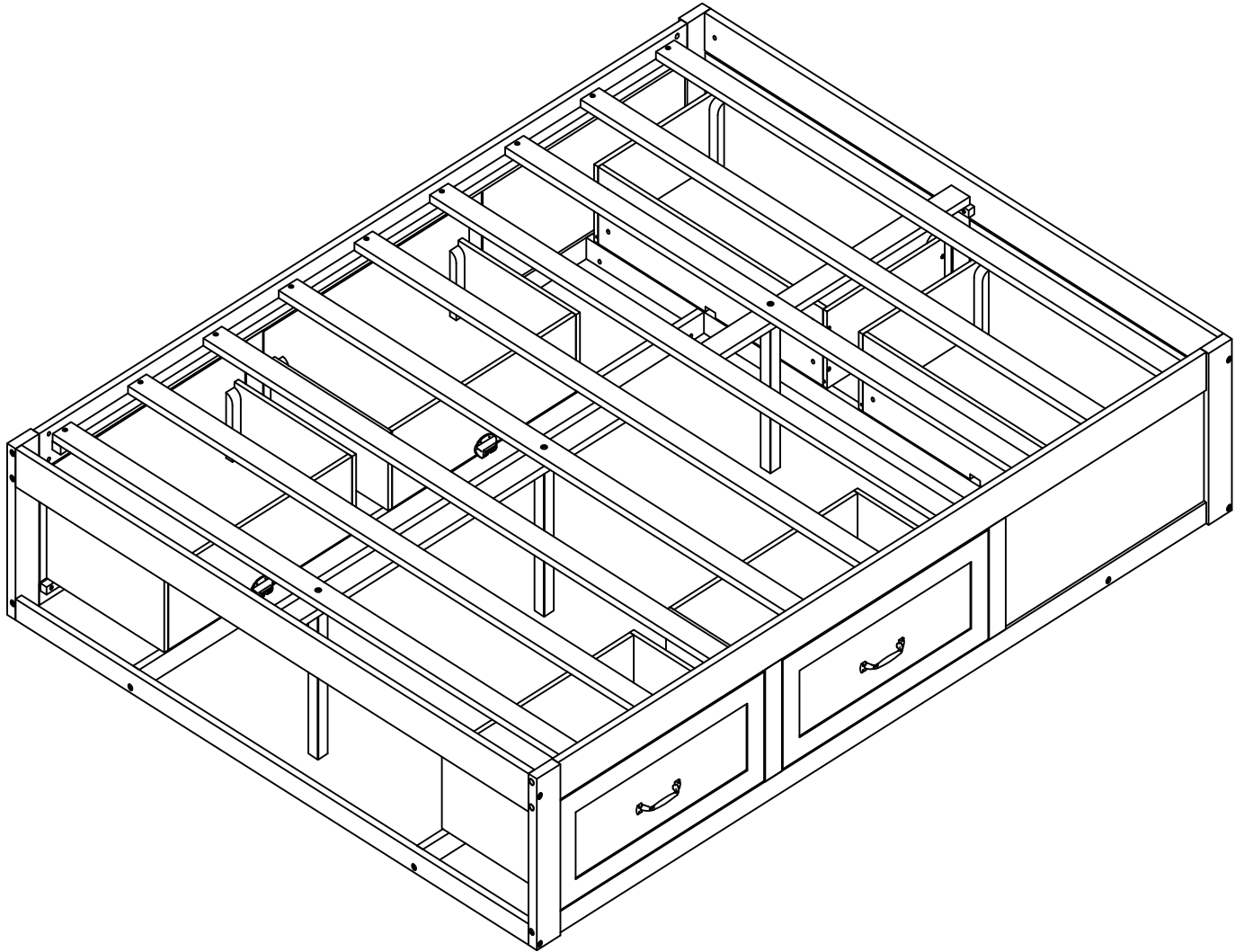


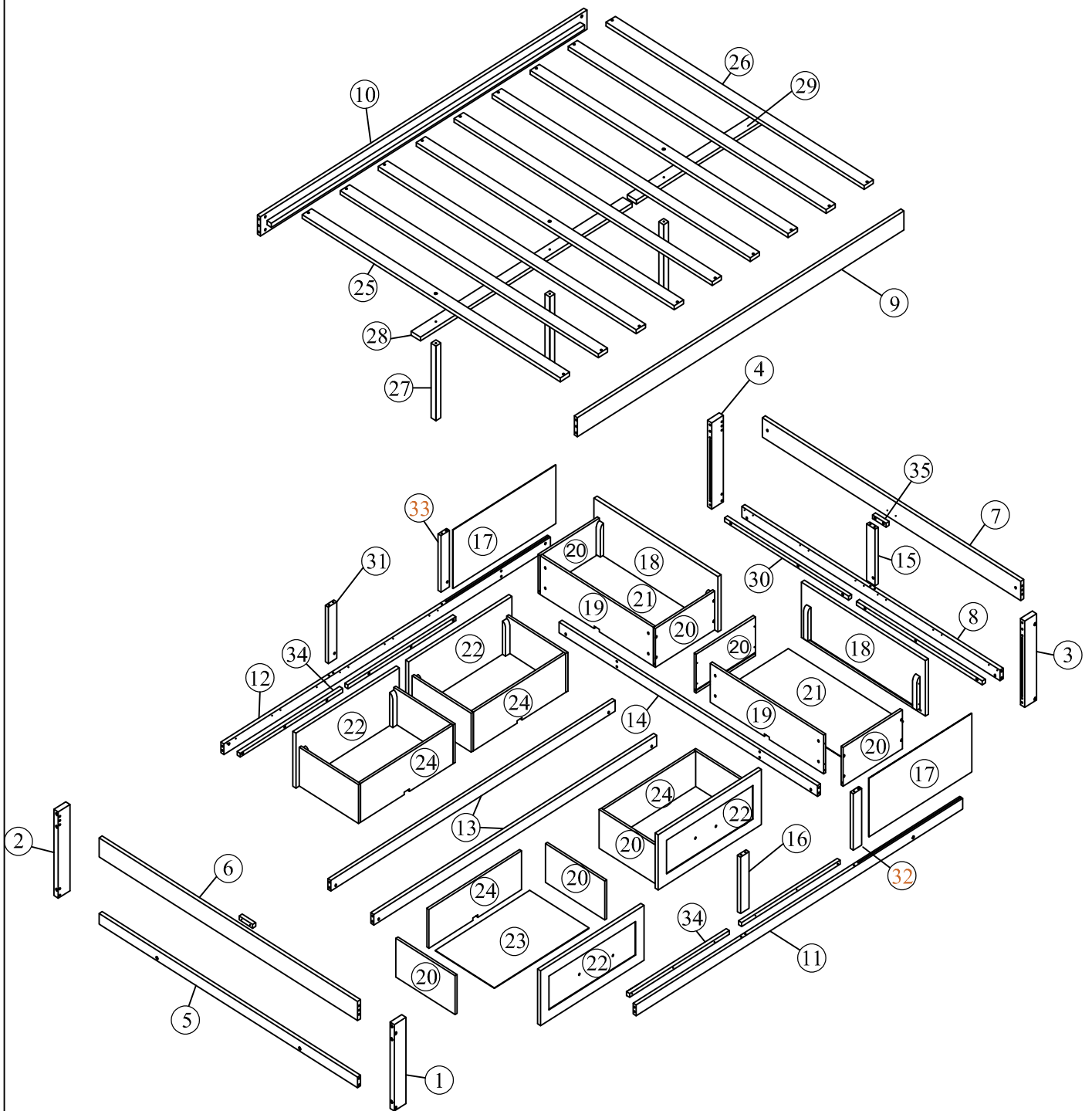
ASSEMBLY INSTRUCTION

SKU CODE: WF315335

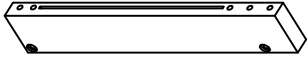
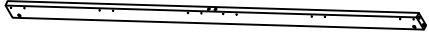
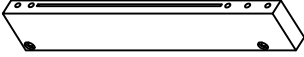

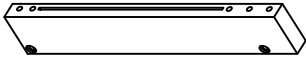
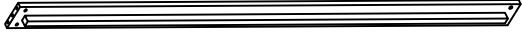
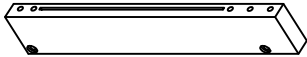


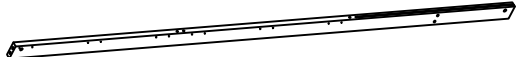


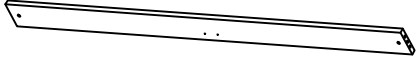
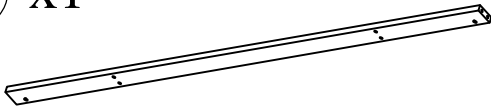
If you have any questions, please feel free to contact us.
Email: lowes.team@qualfurn.net



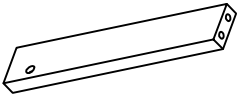
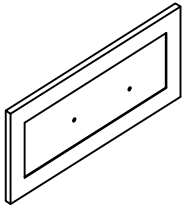
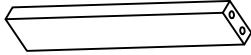
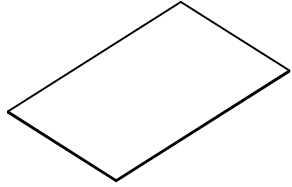
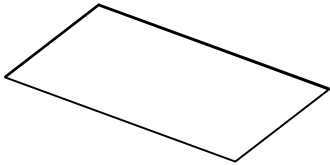
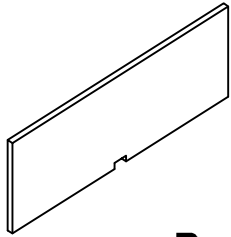
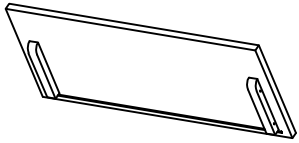

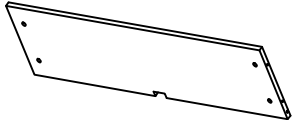
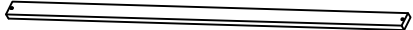
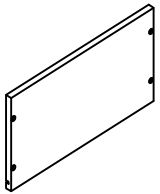
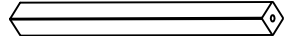
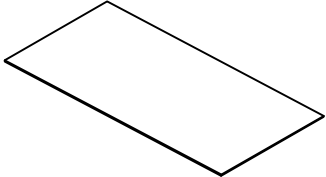
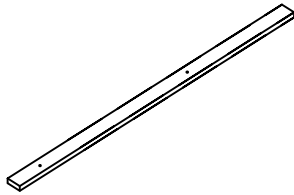
Detail:



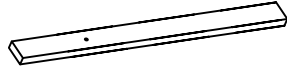


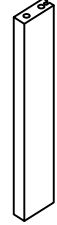
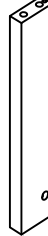
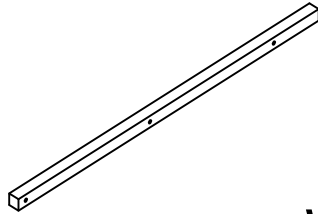
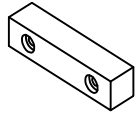
Part List (WF315335)

<p>① x1</p>  <p>Front (left) Leg</p>	<p>⑧ x1</p>  <p>Bottom Guard</p>
<p>② x1</p>  <p>Back (left) Leg</p>	<p>⑨ x1</p>  <p>Side Rail</p>
<p>③ x1</p>  <p>Front (right) Leg</p>	<p>⑩ x1</p>  <p>Side Rail</p>
<p>④ x1</p>  <p>Back (right) Leg</p>	<p>⑪ x1</p>  <p>Support sliding rails</p>
<p>⑤ x1</p>  <p>Bottom Guard</p>	<p>⑫ x1</p>  <p>Support sliding rails</p>
<p>⑥ x1</p>  <p>Top Guard</p>	<p>⑬ x2</p>  <p>Bottom Guard</p>
<p>⑦ x1</p>  <p>Top Guard</p>	<p>⑭ x1</p>  <p>Support sliding rails</p>

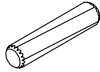
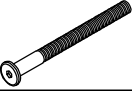

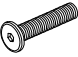


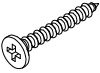
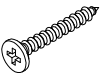
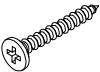
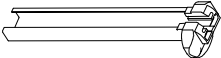
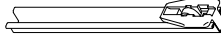




Part List (WF315335)

<p>①⑤ x1</p>  <p style="text-align: center;">Connect wooden stick</p>	<p>②② x4</p>  <p style="text-align: center;">Front Drawers</p>
<p>①⑥ x1</p>  <p style="text-align: center;">Connect wooden stick</p>	<p>②③ x4</p>  <p style="text-align: center;">Bottom Drawers</p>
<p>①⑦ x2</p>  <p style="text-align: center;">Panel</p>	<p>②④ x4</p>  <p style="text-align: center;">Back Drawers</p>
<p>①⑧ x2</p>  <p style="text-align: center;">Front Drawers</p>	<p>②⑤ x3</p>  <p style="text-align: center;">Slats</p>
<p>①⑨ x2</p>  <p style="text-align: center;">Back Drawers</p>	<p>②⑥ x6</p>  <p style="text-align: center;">Slats</p>
<p>②⑩ x12</p>  <p style="text-align: center;">Side Drawers</p>	<p>②⑦ x3</p>  <p style="text-align: center;">Support Leg</p>
<p>②① x2</p>  <p style="text-align: center;">Bottom Drawers</p>	<p>②⑧ x1</p>  <p style="text-align: center;">Mid support slat</p>

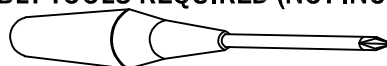
Part List (WF315335)

<p>②9 x1</p>  <p>Mid support slat</p>	<p>③0 x2</p>  <p>Wood bar</p>
<p>③1 x1</p>  <p>Connect wooden stick</p>	<p>③2 x1</p>  <p>Connect wooden stick</p>
<p>③3 x1</p>  <p>Connect wooden stick</p>	<p>③4 x4</p>  <p>Wood bar</p>
<p>③5 x2</p>  <p>Wood bar</p>	





Hardware List (WF315335)

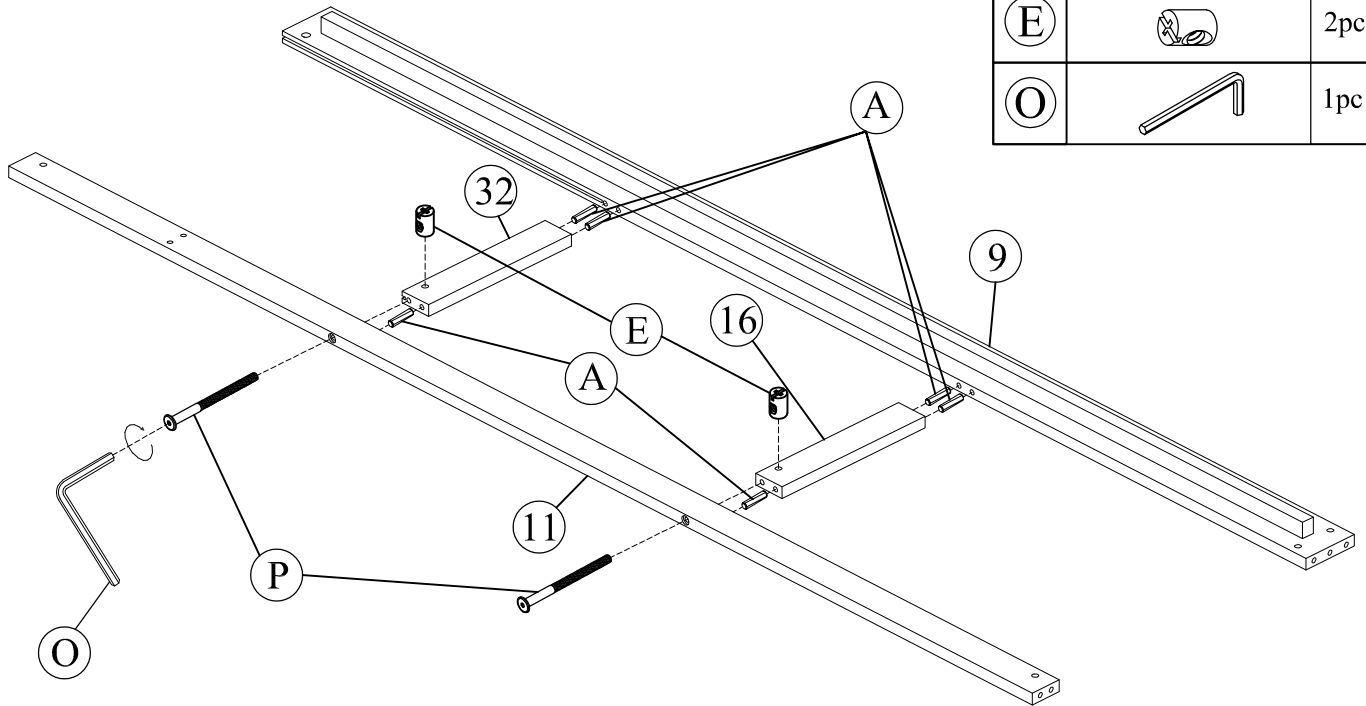
No.	OUTLOOK	DESC	QTY
(A)		Dowel Ø8*30mm	41pcs
(B)		Bolts M6*110mm	12pcs
(C)		Bolts M6*60mm	14pcs
(D)		Bolts M6*40mm	3pcs
(E)		Cross dowel M6*13mm	31pcs
(G)		Cross dowel M6*10mm	24pcs
(H)		Flat head screw #8*60mm	24pcs
(I)		Flat head screw #8*25mm	72pcs
(K)		Flat head screw #7*12mm	28pcs
(L)		Sliding rails	6pcs
(M)		Sliding rails	6pcs
(N)		Handle	6pcs
(O)		Allen key 60*22*4mm	1pc
(P)		Bolts M6*90mm	5pcs
(Q)		Metal	5pcs

ASSEMBLY TOOLS REQUIRED (NOT INCLUDED)

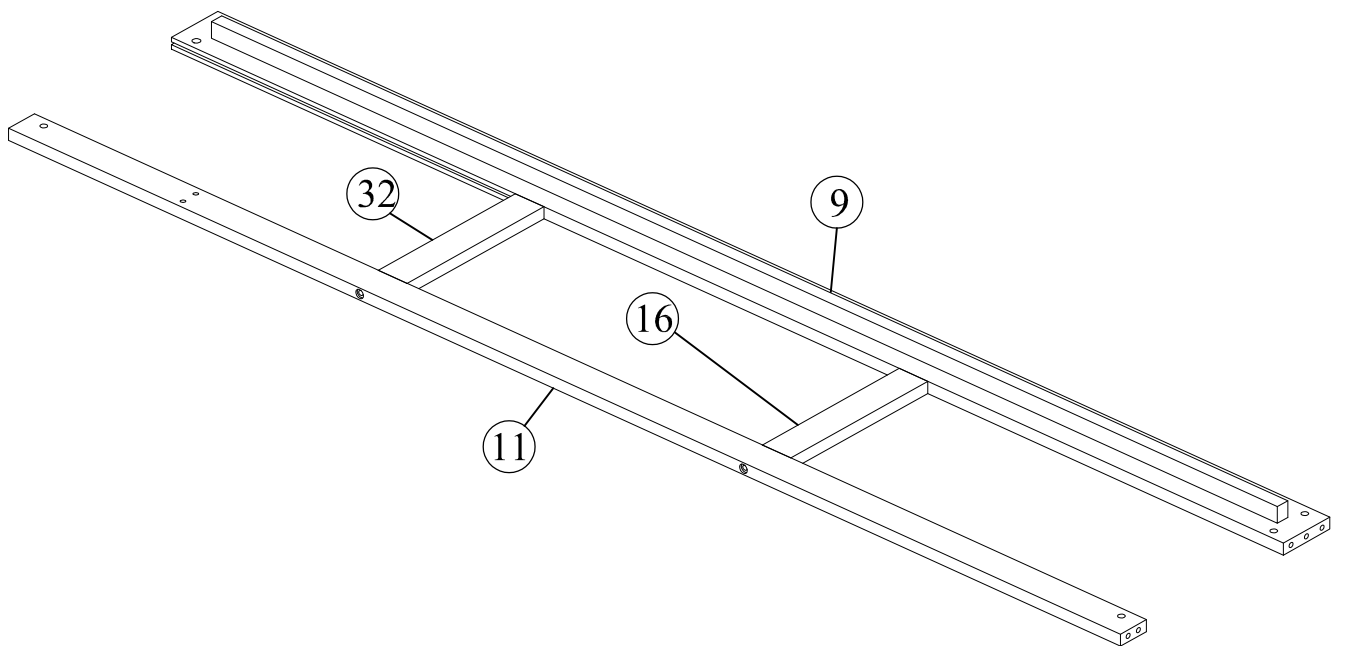


STEP 1

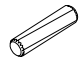



A		6pcs
P		2pcs
E		2pcs
O		1pc

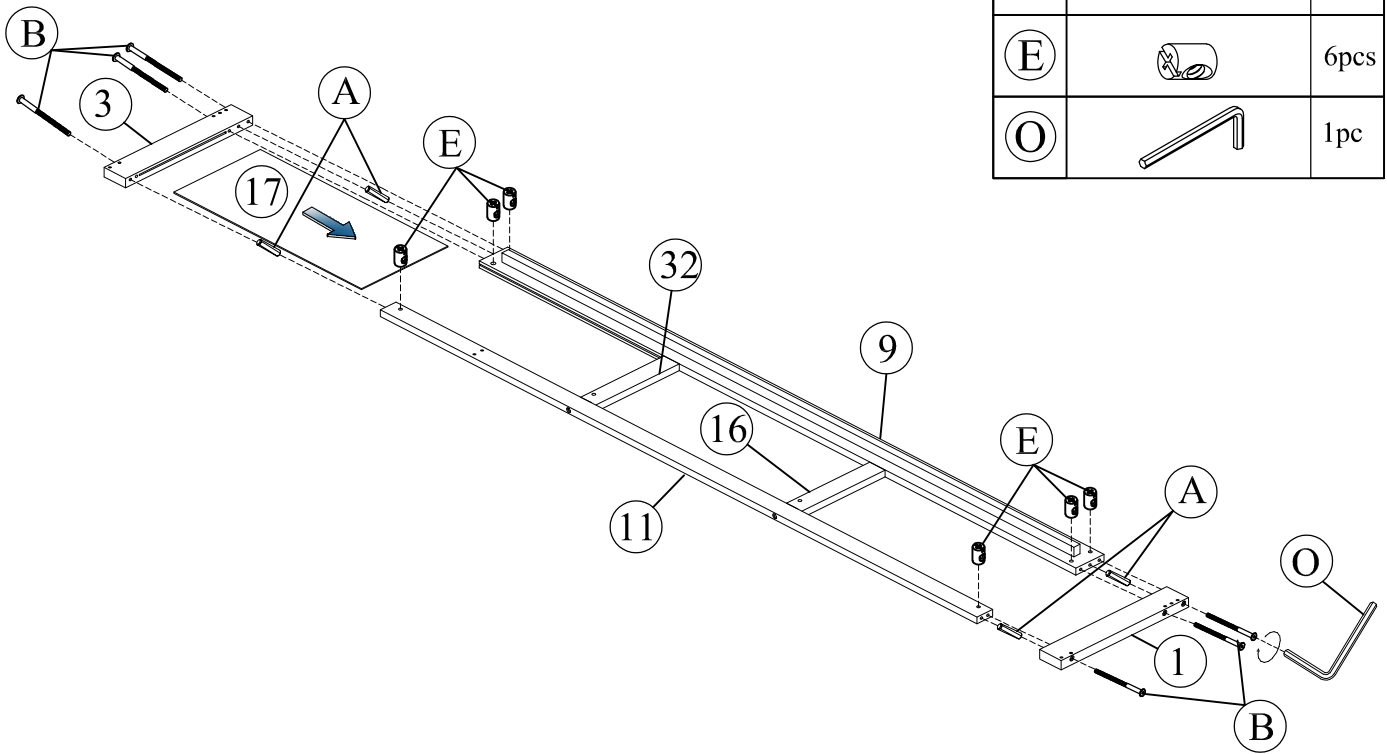


STEP 2

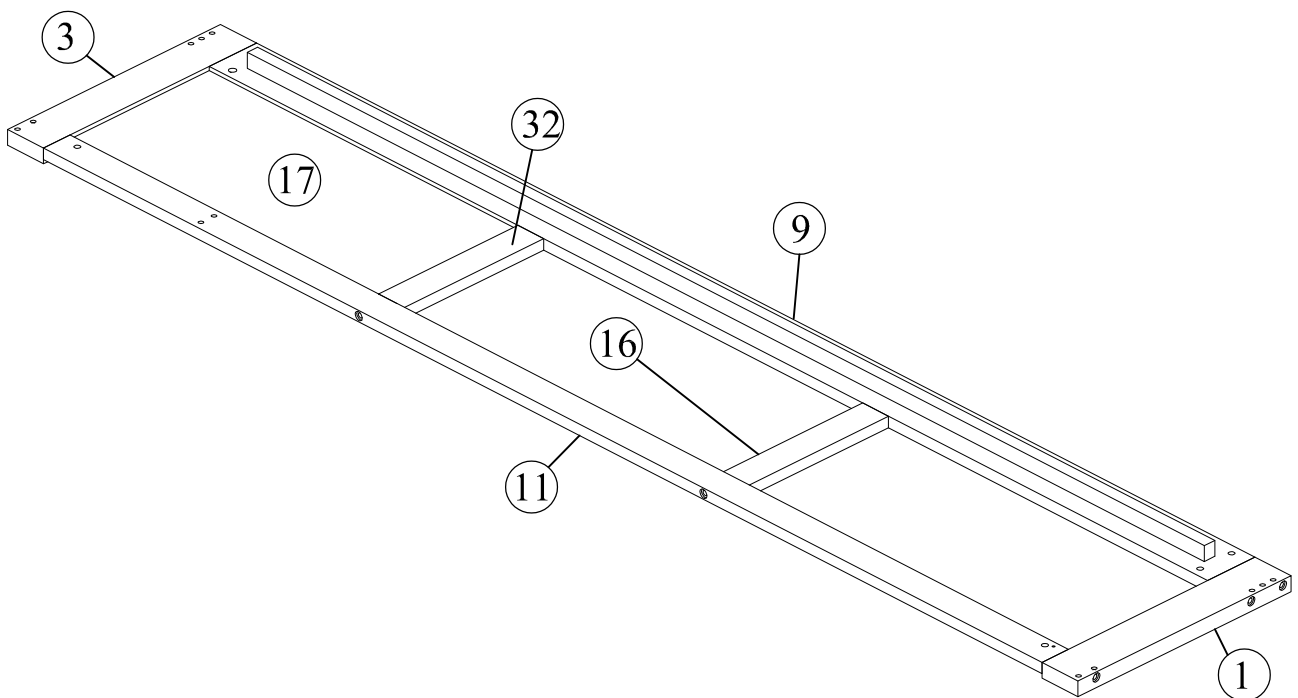


STEP 3

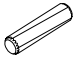



(A)		4pcs
(B)		6pcs
(E)		6pcs
(O)		1pc

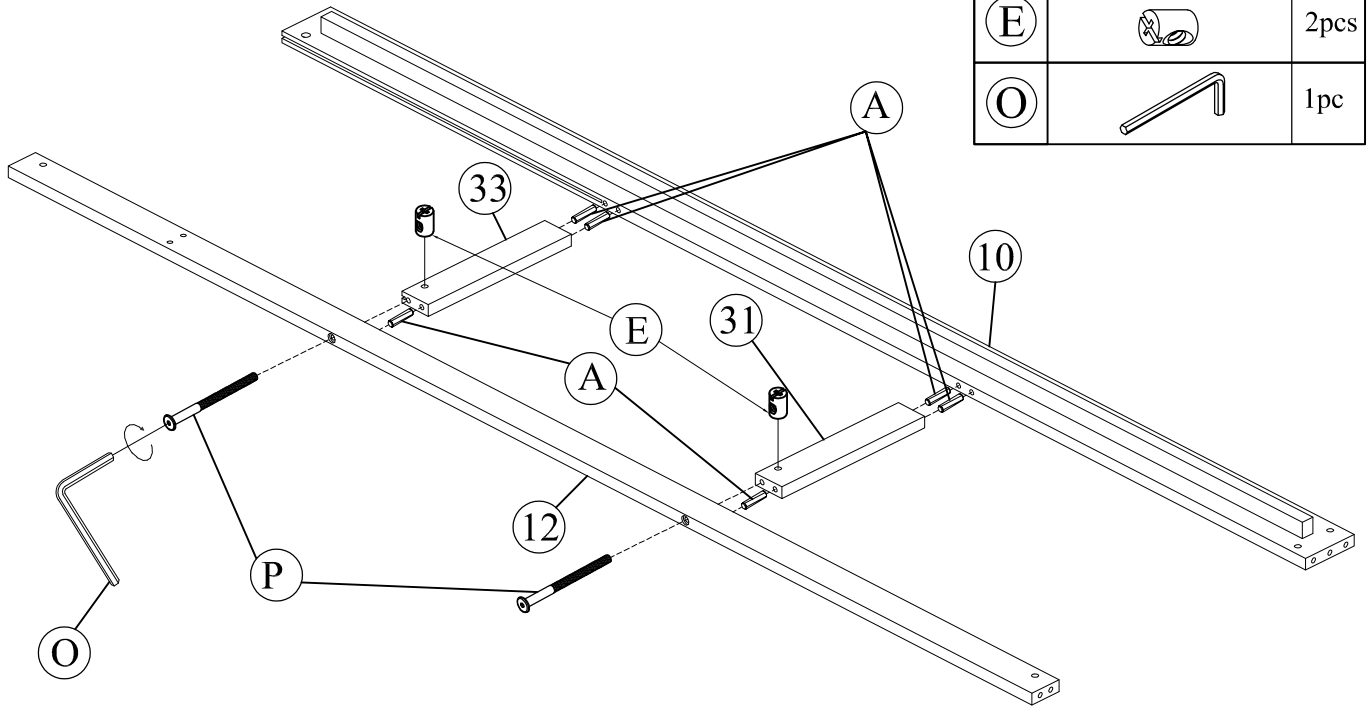


STEP 4

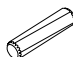


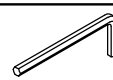


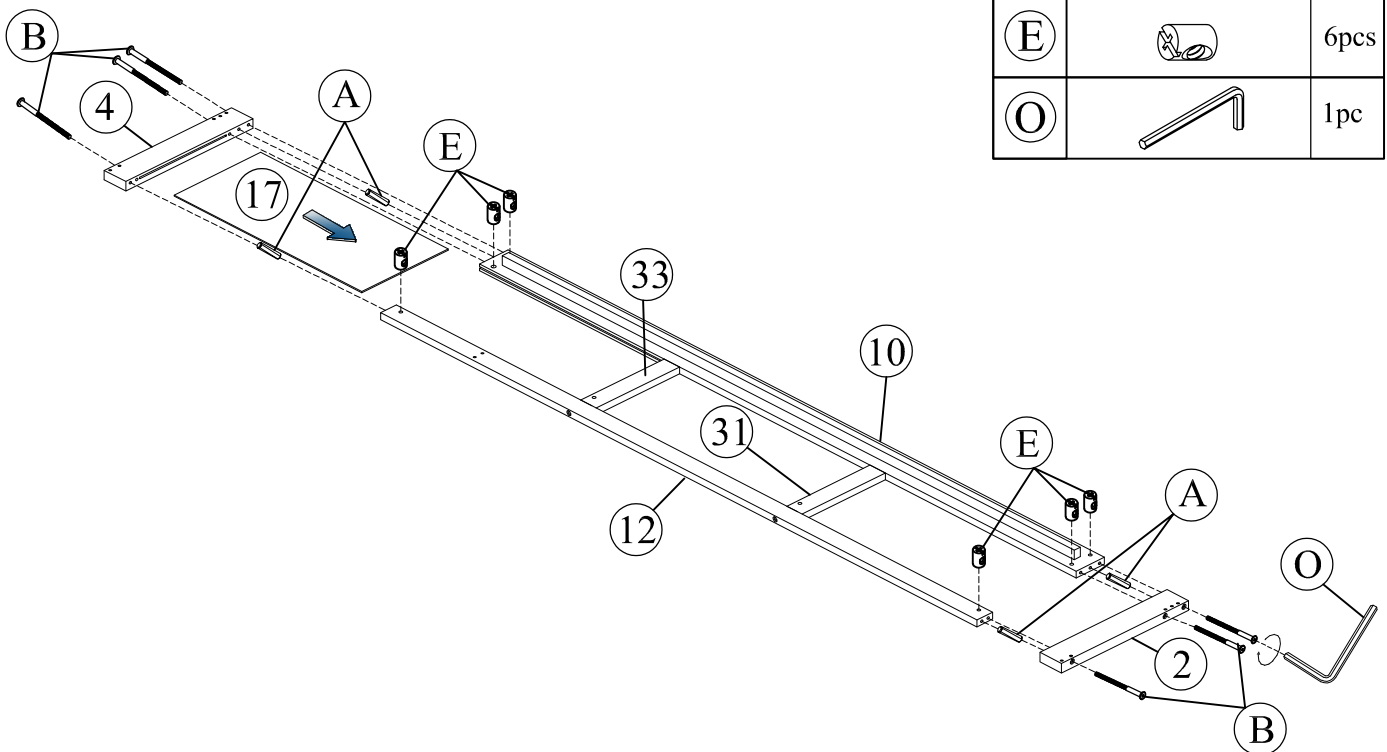
STEP 5

(A)		6pcs
(P)		2pcs
(E)		2pcs
(O)		1pc

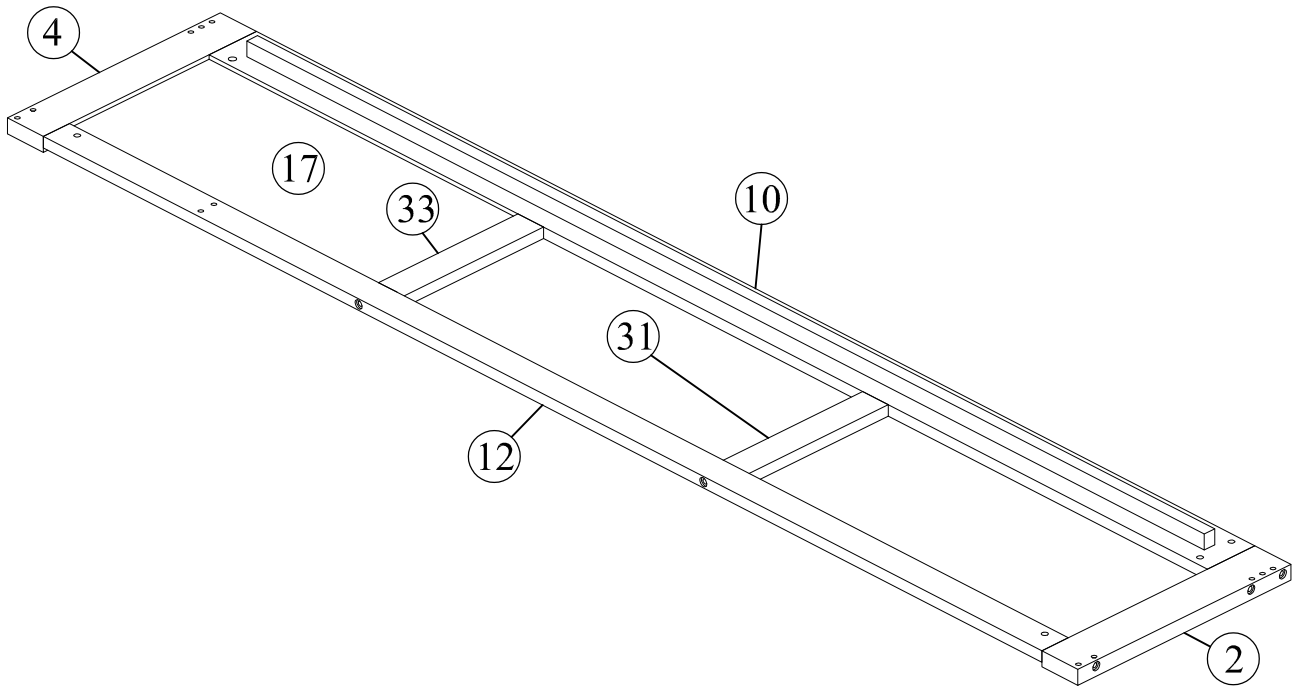


STEP 6

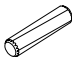



(A)		4pcs
(B)		6pcs
(E)		6pcs
(O)		1pc

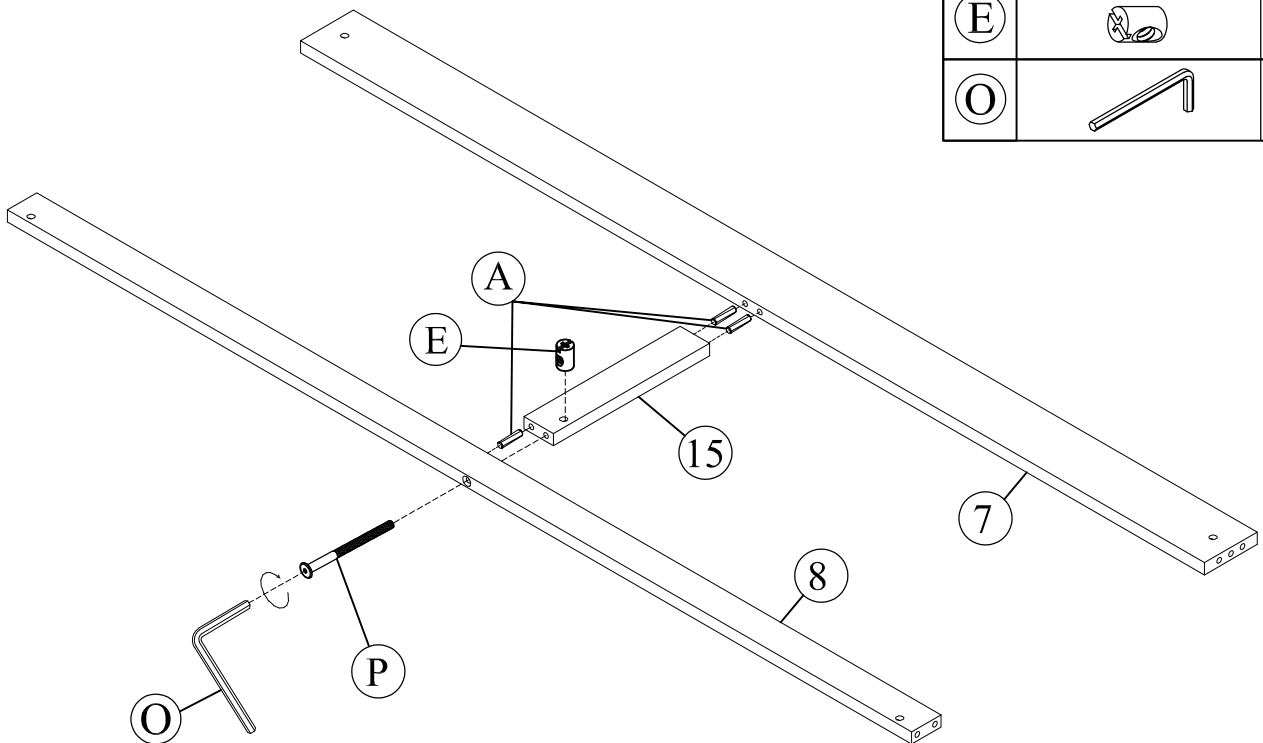


STEP 7

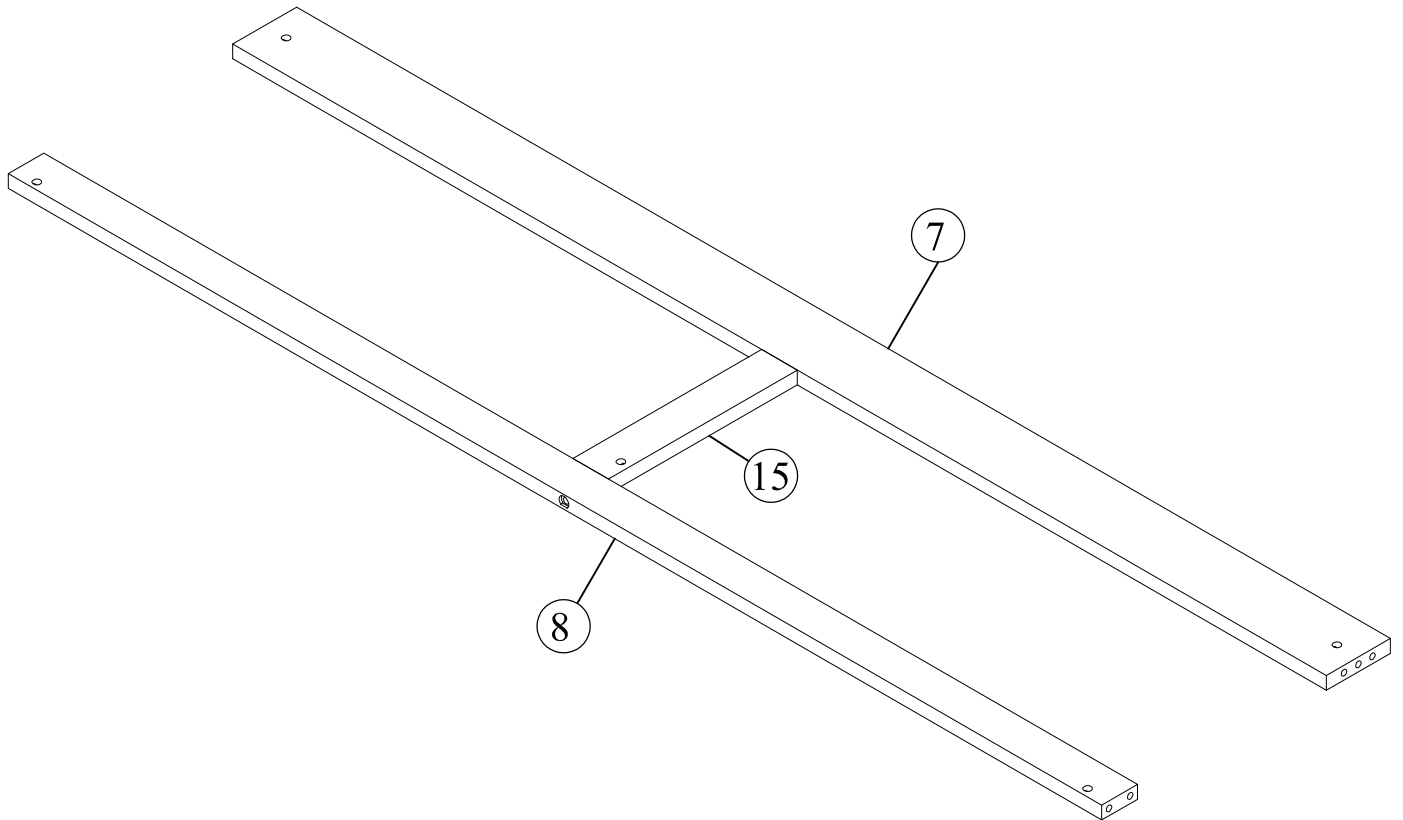


STEP 8

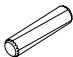



A		3pcs
P		1pc
E		1pc
O		1pc

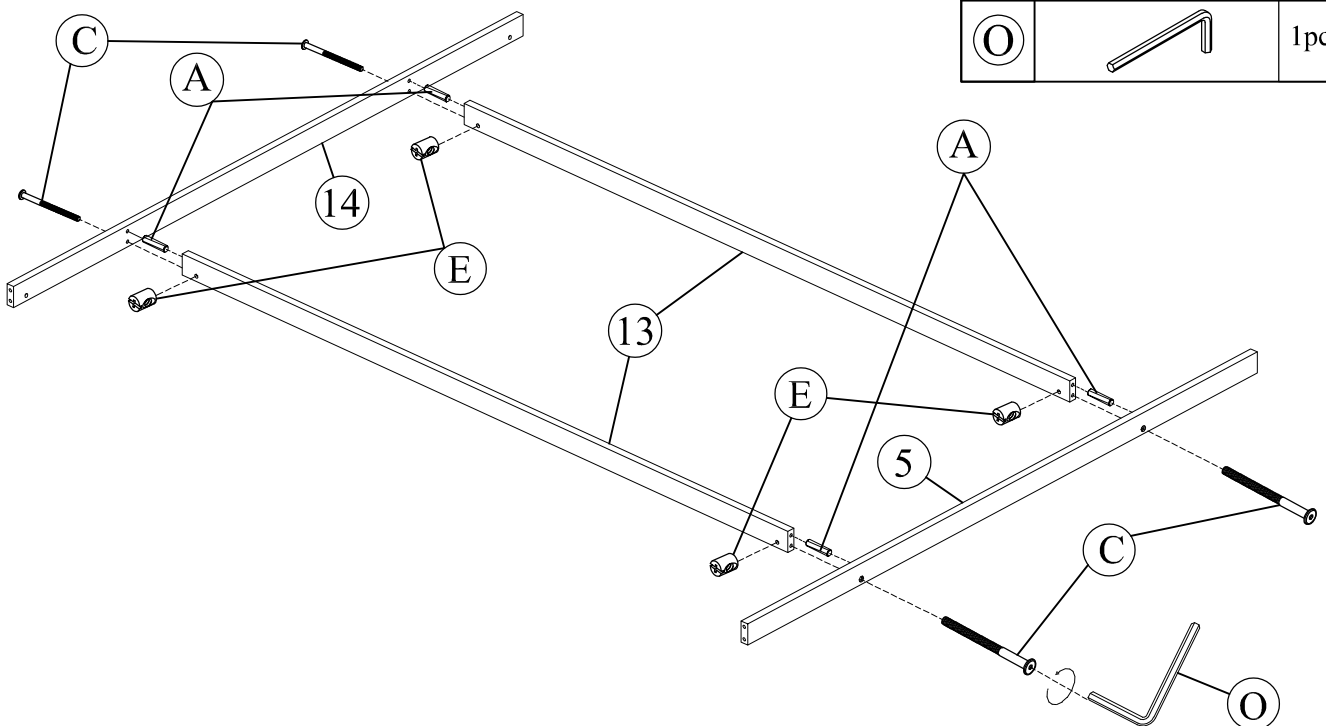


STEP 9

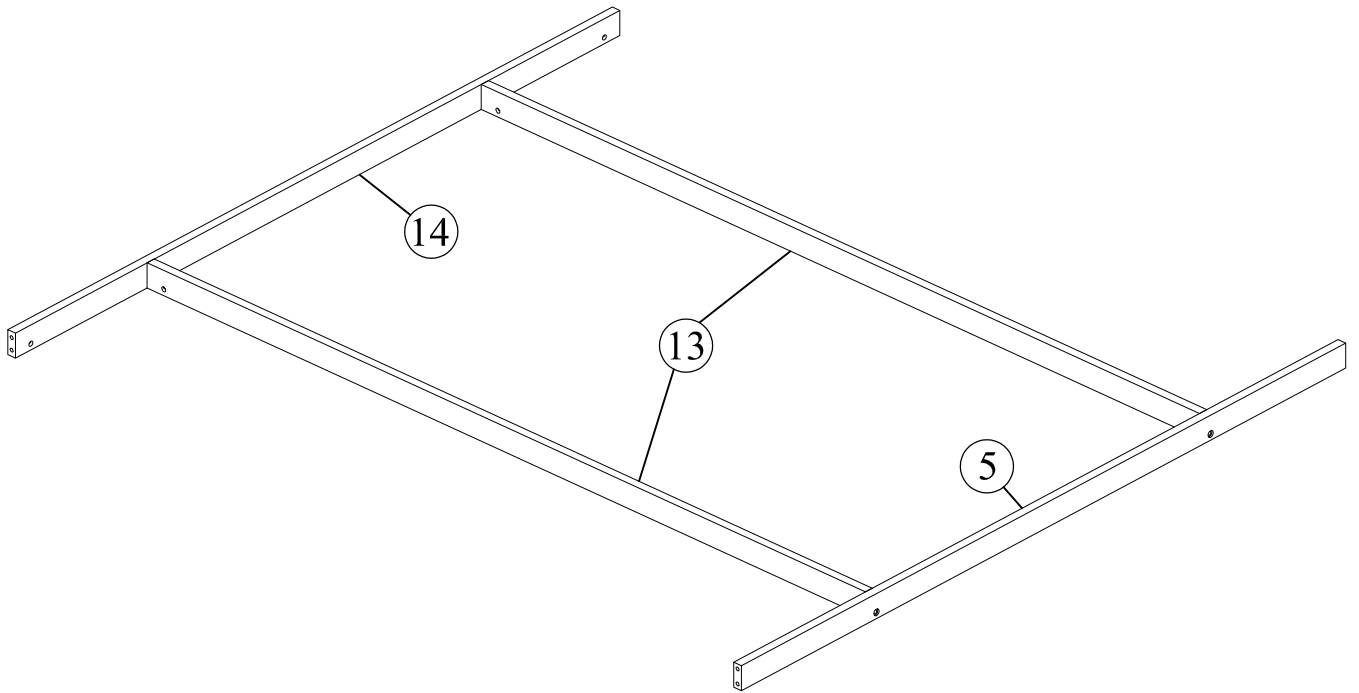


STEP 10

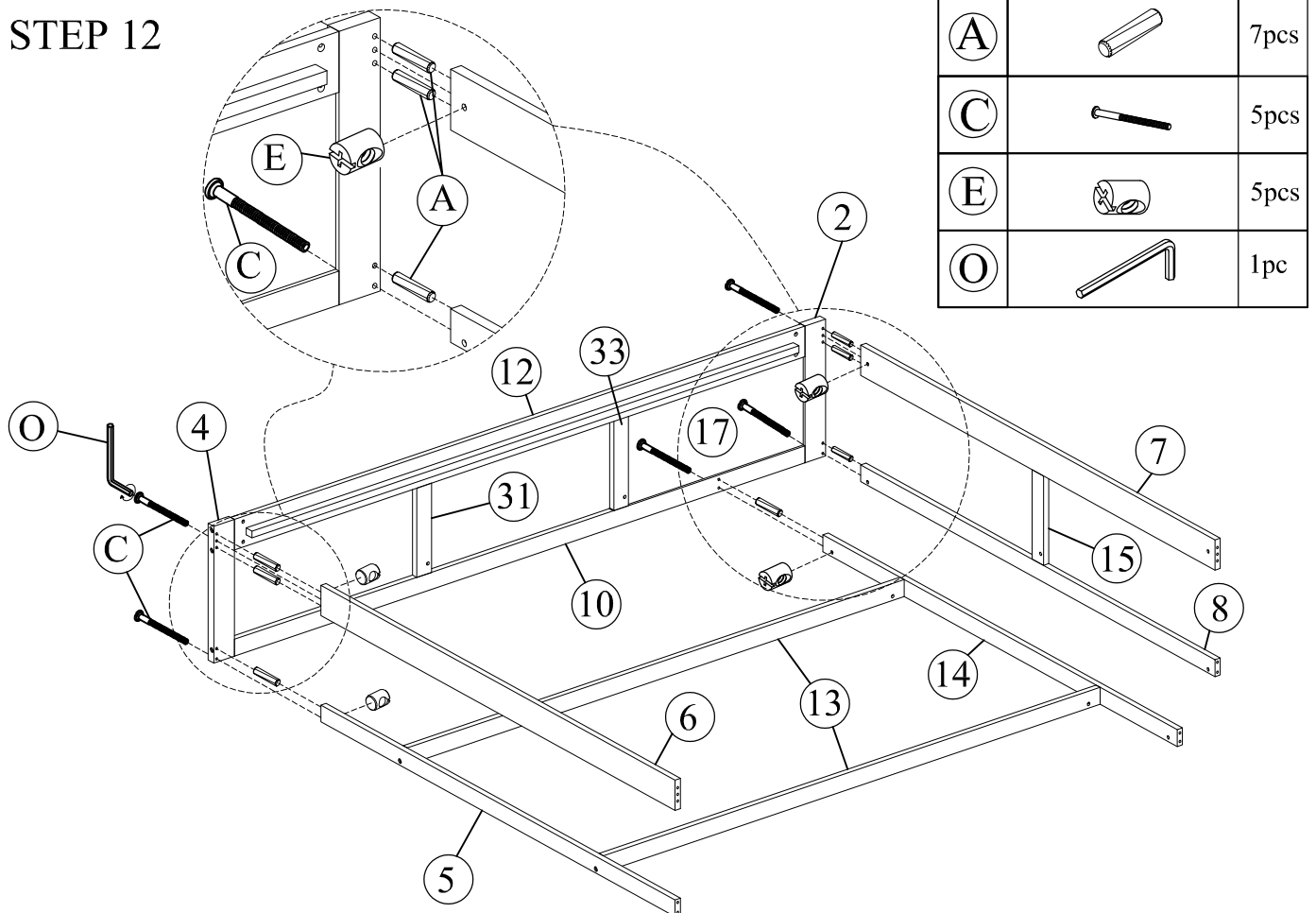
(A)		4pcs
(C)		4pcs
(E)		4pcs
(O)		1pc



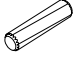



STEP 11

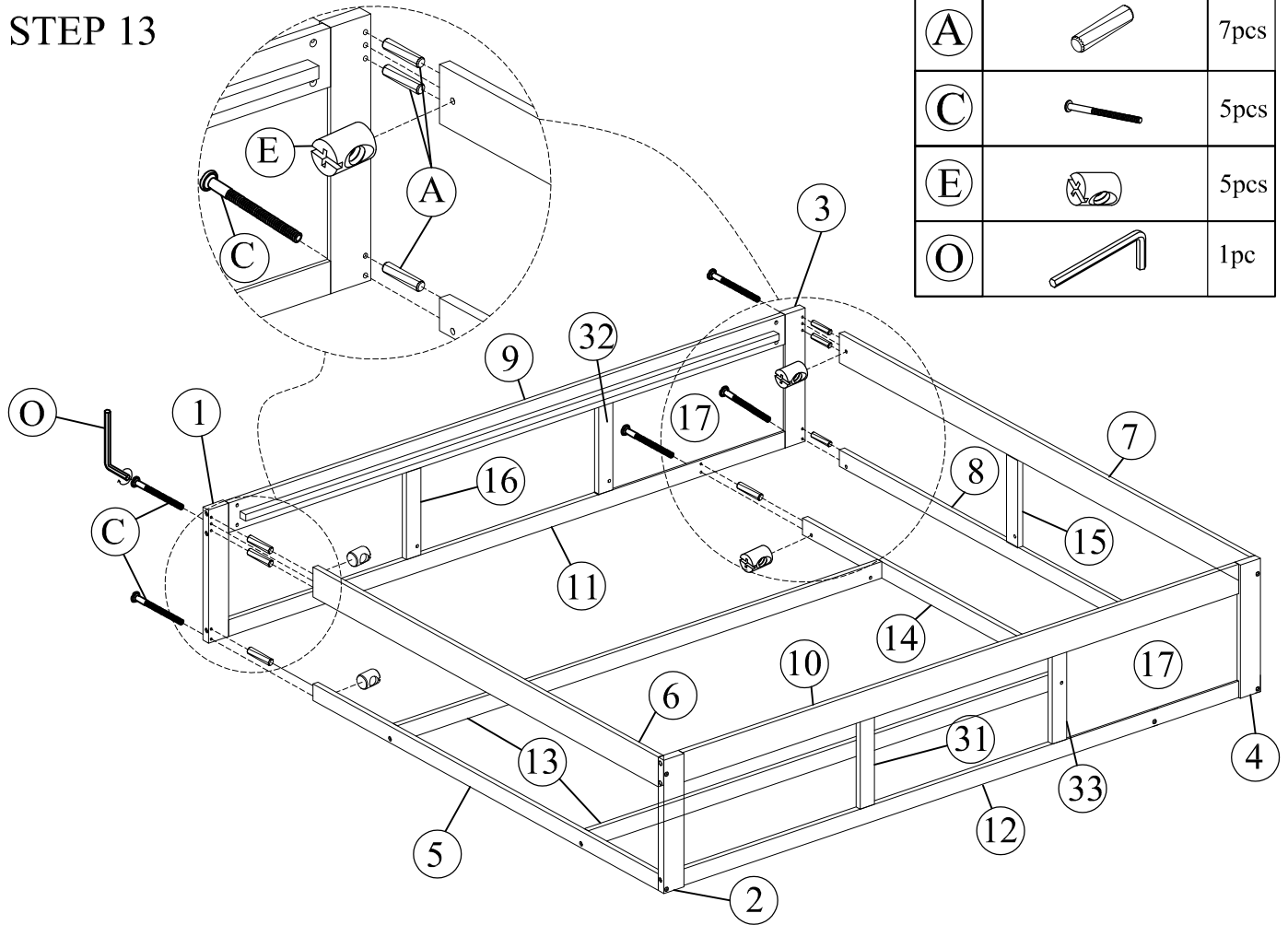


STEP 12

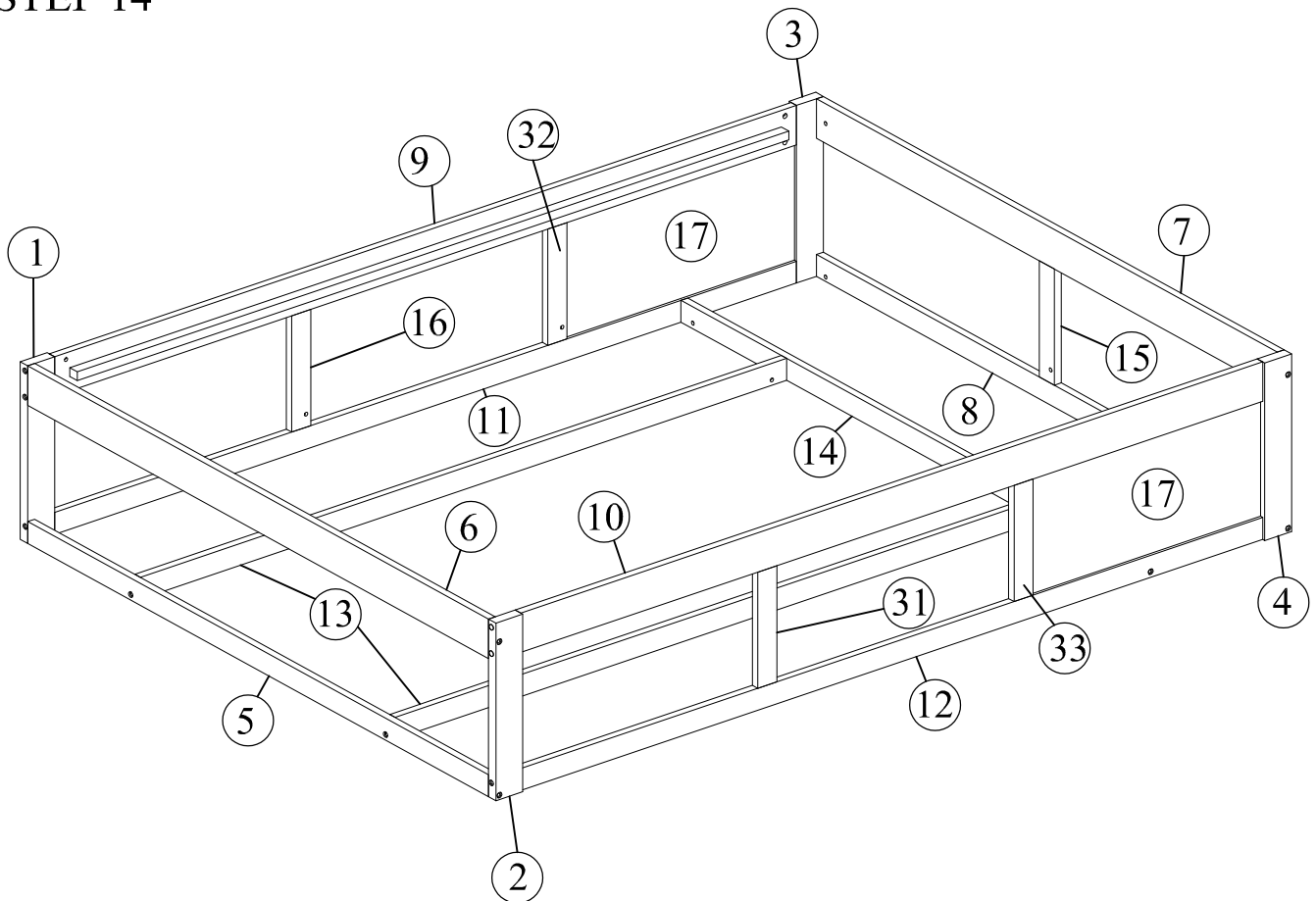


STEP 13



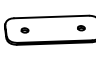
A		7pcs
C		5pcs
E		5pcs
O		1pc

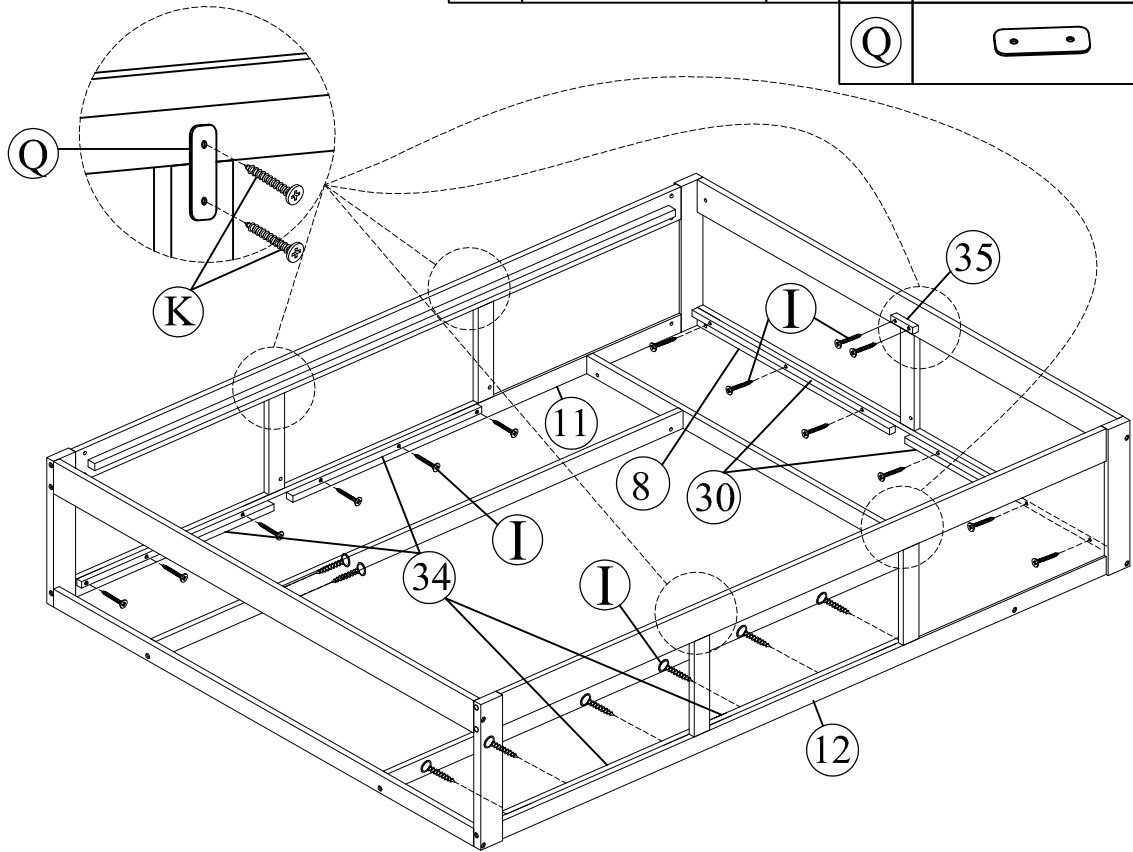


STEP 14

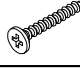

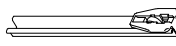


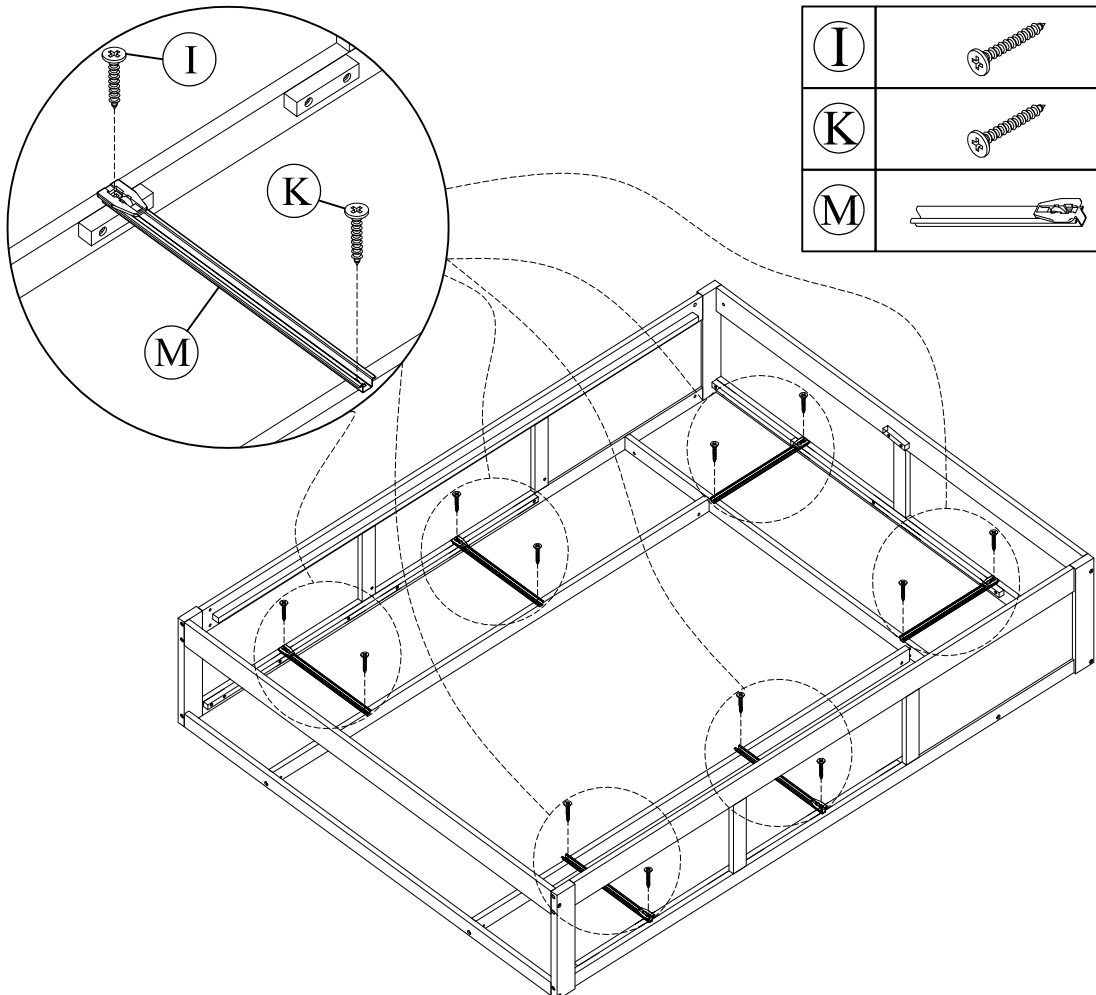
STEP 15

(K)		10pcs	(I)		22pcs
			(Q)		5pcs




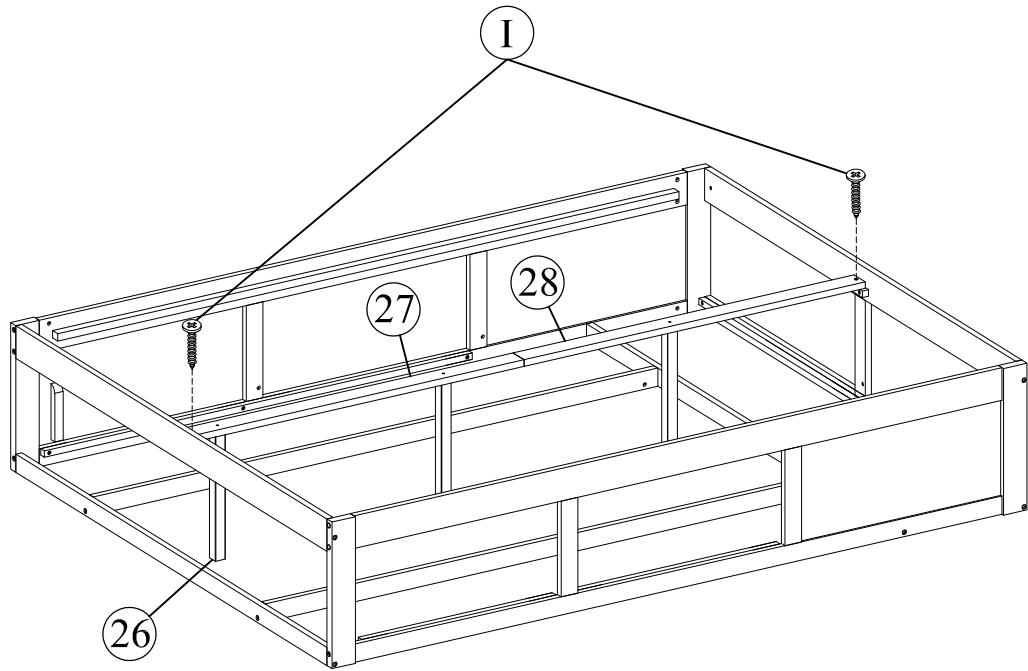
STEP 16

(I)		6pcs
(K)		6pcs
(M)		6pcs


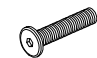



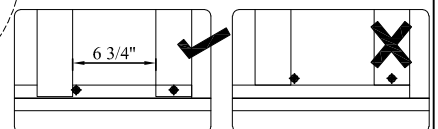
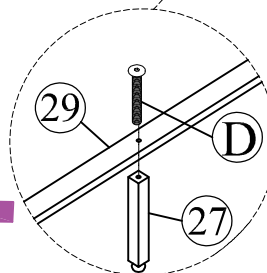
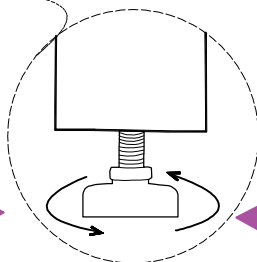
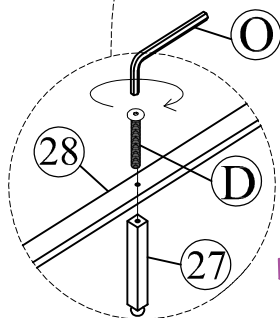
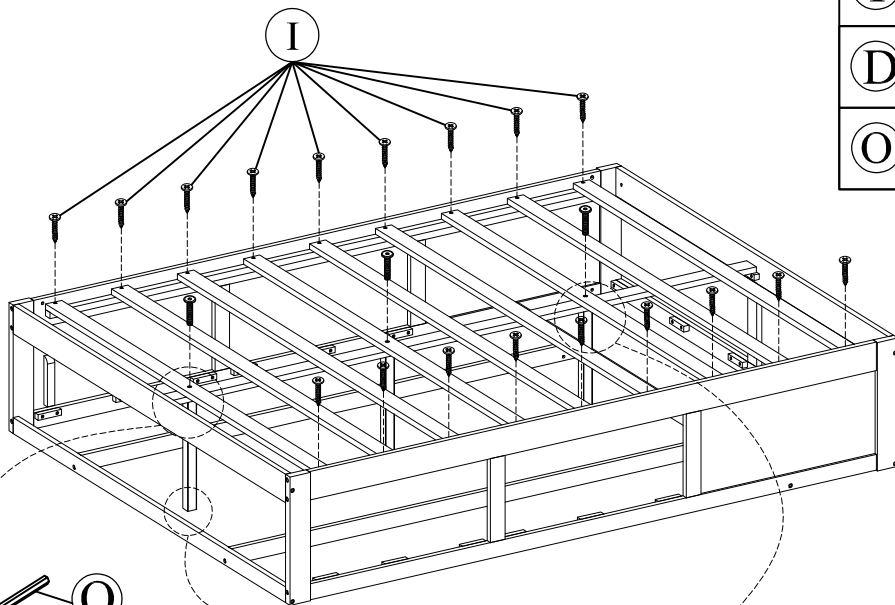
STEP 17

I		2pcs
---	---	------

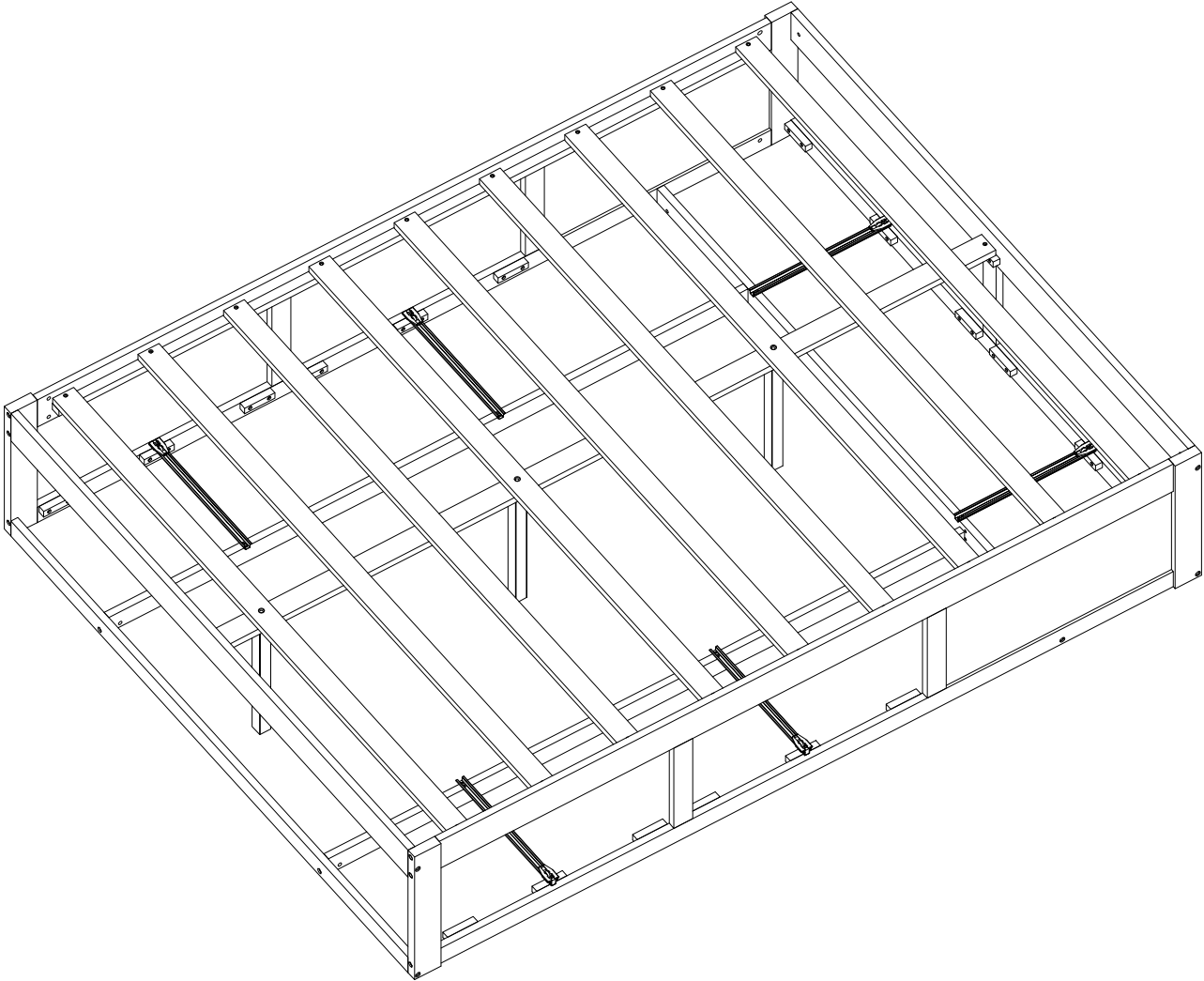


STEP 18

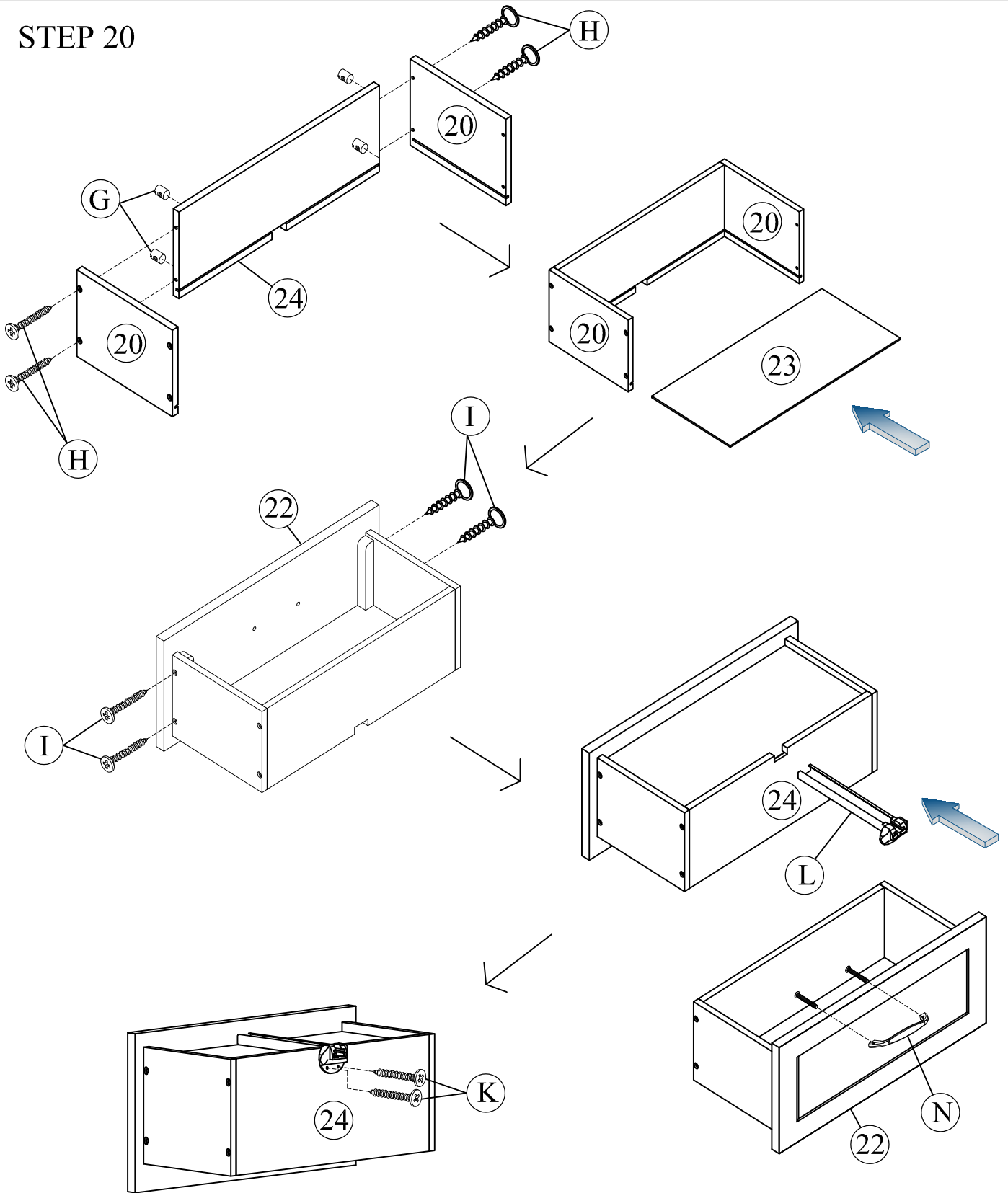
I		18pcs
D		3pcs
O		1pc



STEP 19



STEP 20

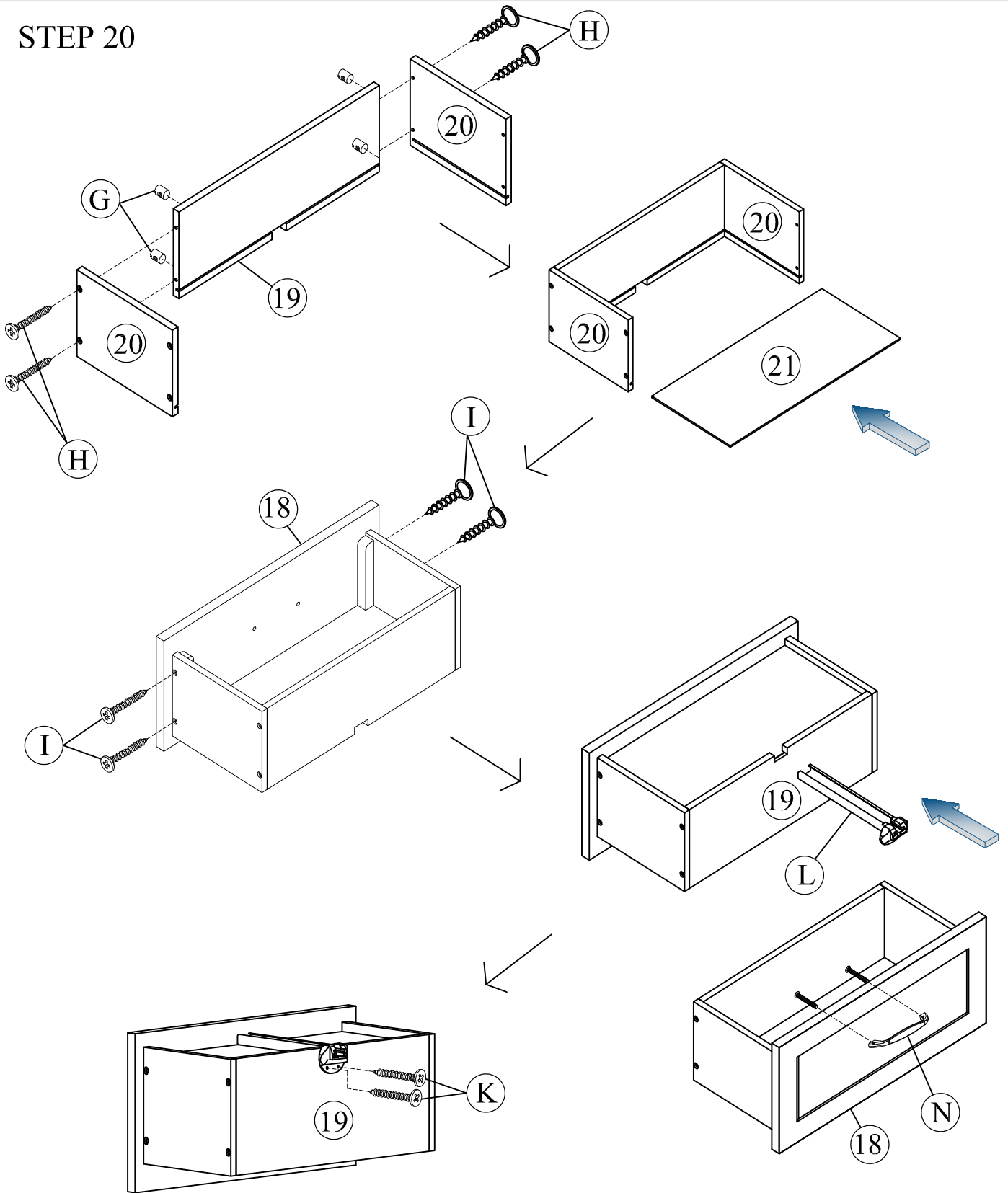


x4



(G)		16pcs
(N)		4pcs


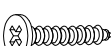
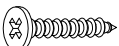

(K)		8pcs
(I)		16pcs
(H)		16pcs
(L)		4pcs

STEP 20

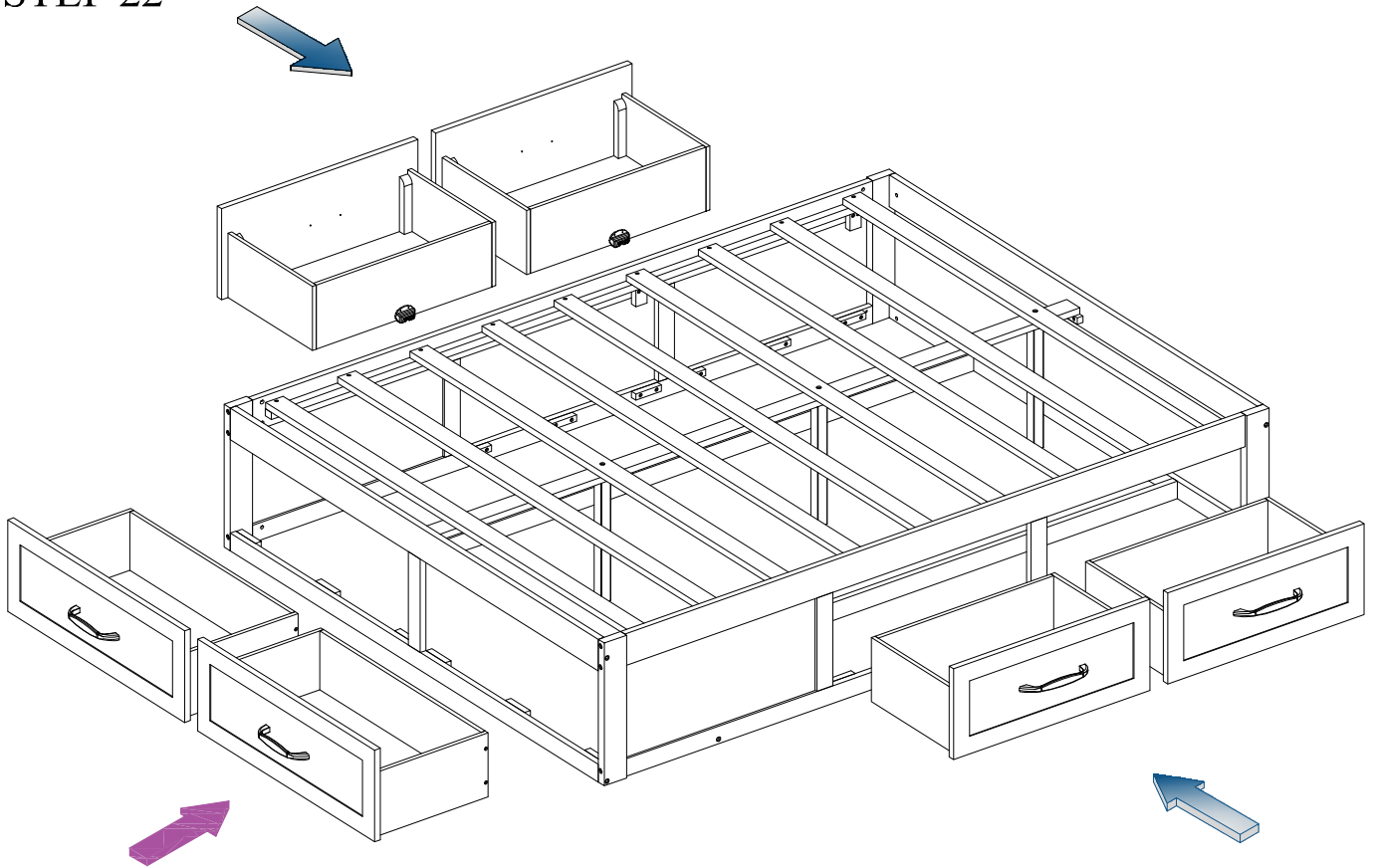


x2

(G)		8pcs
(N)		2pcs

(K)		4pcs
(I)		8pcs
(H)		8pcs
(L)		2pcs

STEP 22



FINALE

