



# OWNER'S MANUAL

## Chests



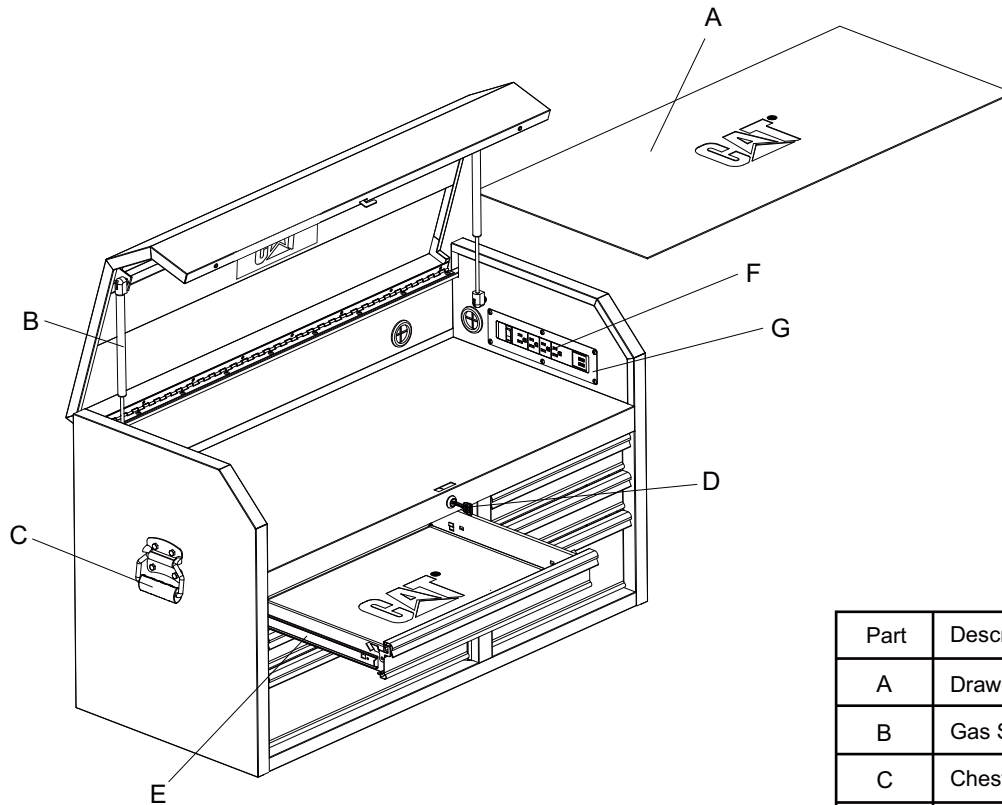
Please ensure all drawers are closed and locked completely before moving the chest. Keep the product on level surfaces. The product may become unstable and tip if stored or moved on an un-even surface, which may cause personal injury or product damage.



Do not alter the product in any manner. Do not step or climb on the chest. Do not open more than one drawer at the same time. The chest may become unstable and tip. Please ensure the chest is locked prior to moving.

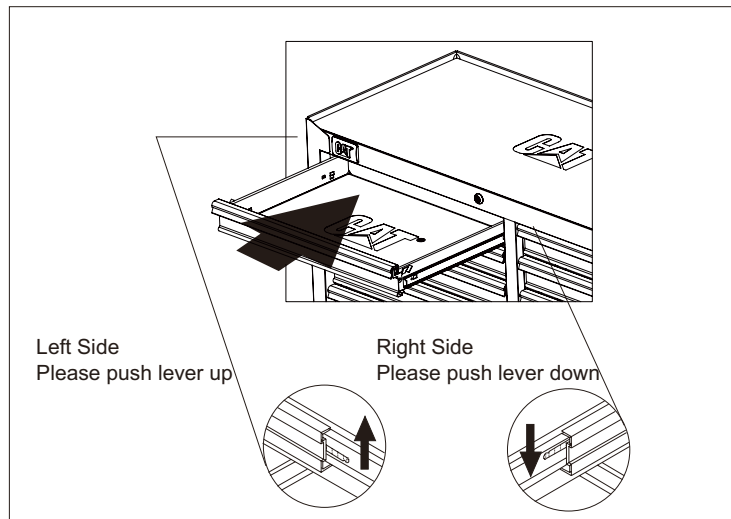
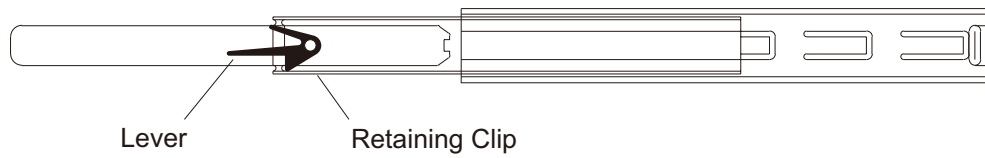


Locking mechanism used on chests is engaged by rotating cam lock with a key. Drawers should be fully closed before locking mechanism is engaged.



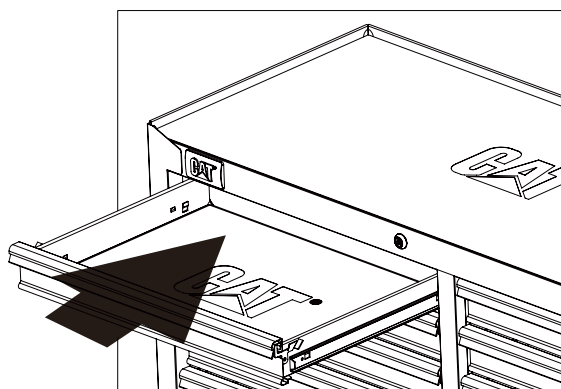
Part	Description	Quantity
A	Drawer Liner/Top Mat	7
B	Gas Strut	2
C	Chest Handle	2
D	Lock & Key	1
E	Drawer Slide Set	8
F	Outlet (Type B Plug)	1
G	Outlet Panel Cover	1





### How to Remove Drawers

Each drawer slide has a black retaining clip. To remove drawer retaining clips on slides need to be released by pushing lever up (left side of slides) and down (right side of slides) at the same time, and slide the drawer out.



### How to Install Drawers

Pull the slide out and then match the track to push in.



### Attention:

1. When installing the drawer it is normal for you to feel resistance when pushing in the drawer
2. Please push the drawer all the way in and pull out 2-3 times to check whether the drawer operates smoothly
  - a. If the drawer is blocked please remove and re-install.
  - b. If the drawer moves smoothly the drawer has been re-engaged correctly

### Lubrication

It is important for the smooth operation of slides to lubricate them periodically with light grease. This should be done at least twice a year or more frequently depending on usage.





## 1. Extension cord

- Follow all manufacturers' Warnings and Operating Instructions for your extension cord.
- Only use a three-wire extension cord with all three prongs intact. Never remove the round grounding prong.
- Extension cord must be connected to a 125 Volt GFCI protected outlet with proper ground. If GFCI outlet is not available, use an extension cord with GFCI protection built in.
- Check the insulation and plugs of extension cord before using. Do NOT use cord if it is worn or damaged.
- Do NOT overload extension cord
- Remove extension cord from the hole before moving or transporting the storage chest.
- Only use an extension cord that is rated for outdoor use.
- Do NOT connect extension cord to outlet that also supplies critical safety equipment with power

## 2. Electrical Shock Hazard

- Do not plug cord into an outlet with wet hands.
- Do not use this tool chest near a bathtub, a shower, or a swimming pool
- Chest/Cabinet plugs must match the outlet
- Never modify the plug in any way
- Do not use any adapter plugs with earth (grounded) chest power strips.
- Unmodified plugs and matching outlets will reduce the risk of electric shock.
- Avoid body contact with earthed or grounded surfaces. There is an increased risk of electric shock if your body is earthed or grounded.



**NOTE:** This equipment has been tested and found to comply with the limits for a Class B digital device, pursuant to Part 15 of the FCC Rules. These limits are designed to provide reasonable protection against harmful interference in a residential installation. This equipment generates, uses and can radiate radio frequency energy and, if not installed and used in accordance with the instructions, may cause harmful interference to radio communications. However, there is no guarantee that interference will not occur in a particular installation.

If this equipment does cause harmful interference to radio or television reception, which can be determined by turning the equipment off and on, the user is encouraged to try to correct the interference by one or more of the following measures:

- Reorient or relocate the receiving antenna.
- Increase the separation between the equipment and receiver
- Connect the equipment into an outlet on a circuit different from that to which the receiver is connected.
- Consult the dealer or an experienced radio/TV technician for help.



**NOTE:** This device complies with Part 15 of the FCC Rules. Operation is subject to the following two conditions: (1) this device may not cause harmful interference, and (2) this device must accept any interference received, including interference that may cause undesired operation.



**CAUTION: RISK OF ELECTRICAL SHOCK:** This unit has one power supply cord. Make sure the cord is unplugged before any servicing or cleaning.



**WARNING:** Changes or modifications to this unit not expressly approved by the party responsible for compliance could void the user's authority to operate the equipment.

