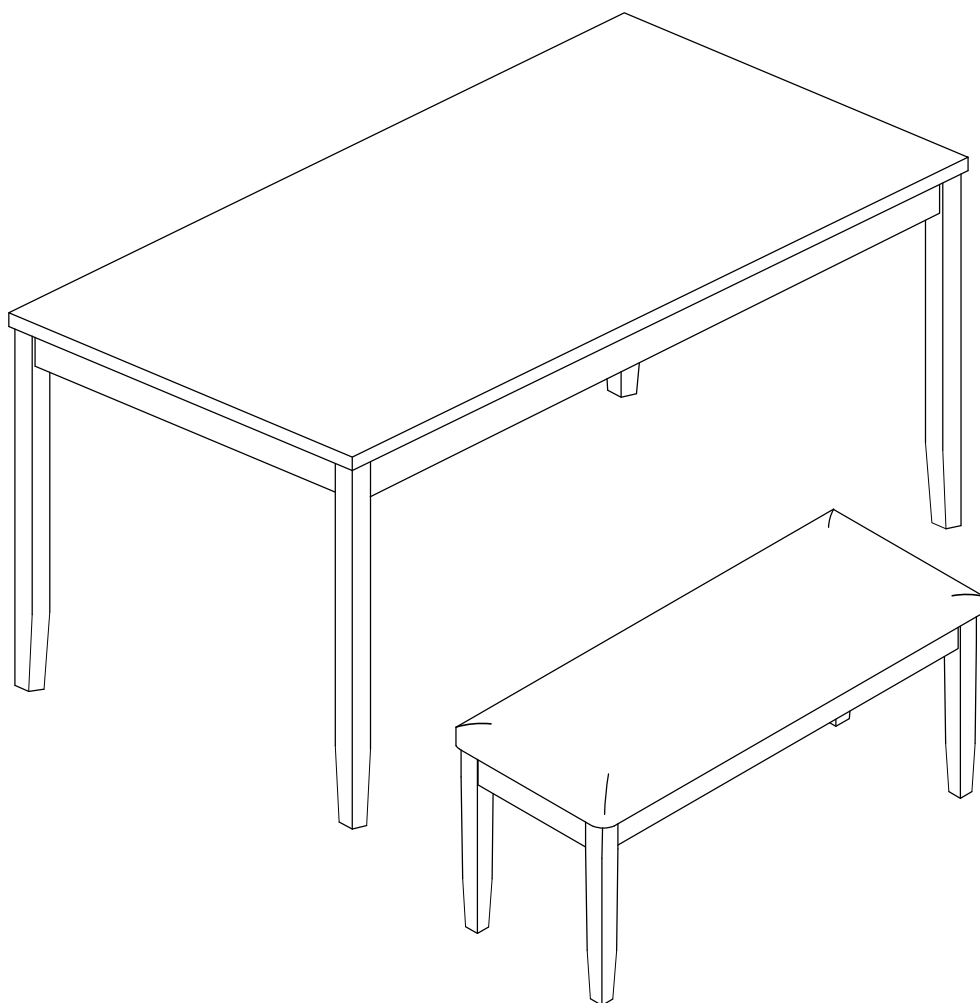


# ASSEMBLY INSTRUCTIONS




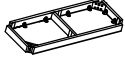

ITEM NO. FB3041HAY-TBE  
FB3042HAY-TBE










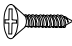

## ASSEMBLY TIPS:

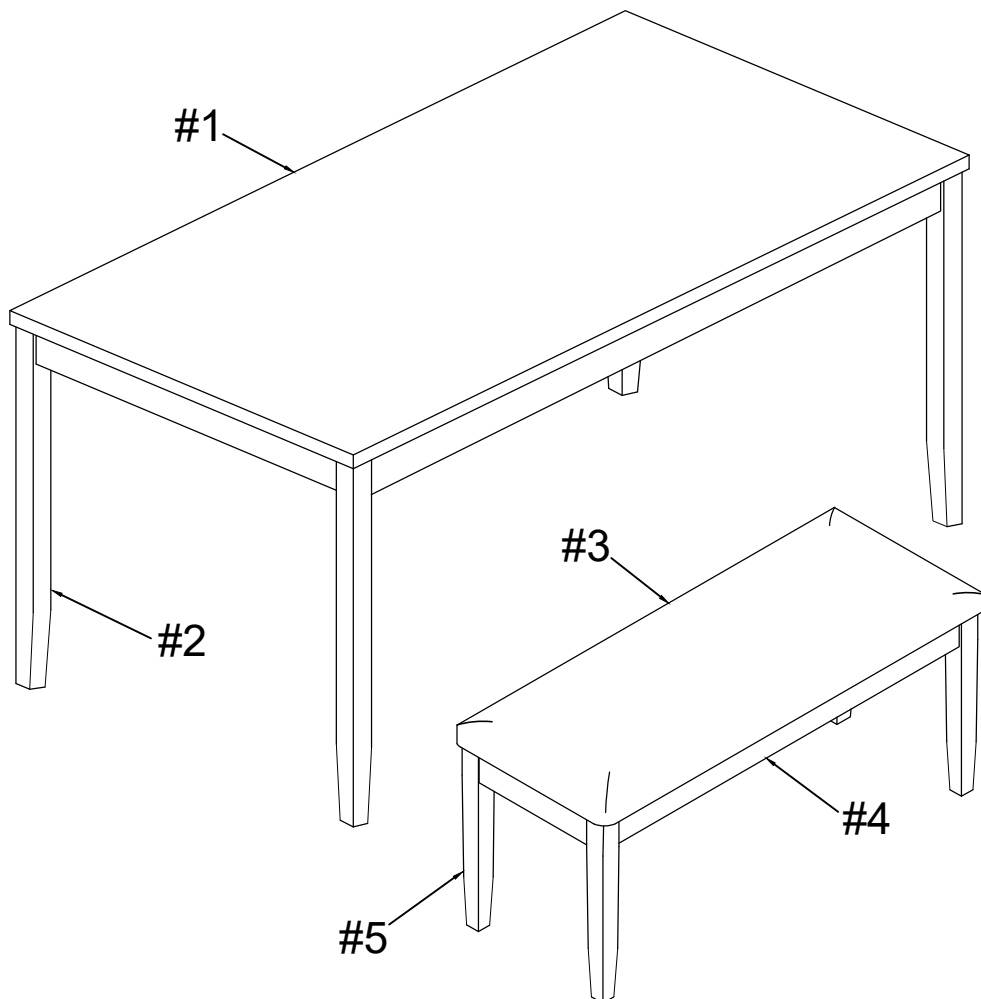
1. Remove hardware from box and sort by size.
2. Please check to see that all hardware and parts are present prior to start of assembly.
3. Please follow attached instructions in the same sequence as numbered to assure fast & easy assembly.

## Part List

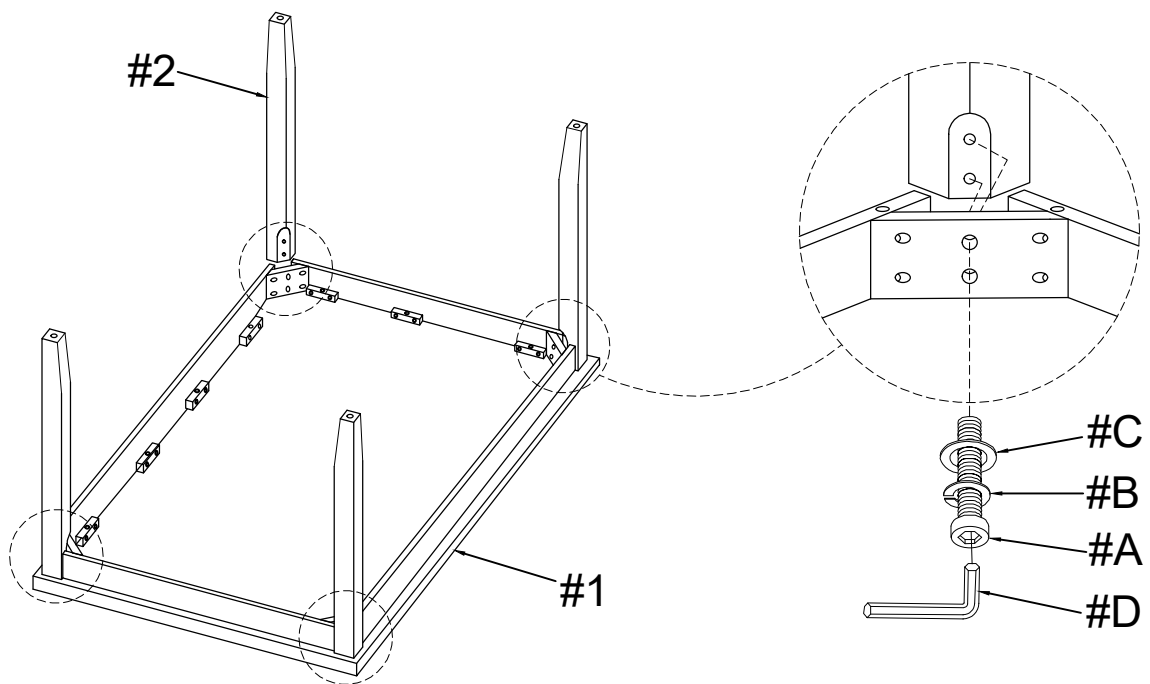
NO.	DIAGRAM	PART NAME	Q'ty
#1		Table Top	1 pc
#2		Table Legs	4 pcs
#3		Bench Seat Cushion	1 pc
#4		Bench Seat Frame	1 pc
#5		Bench legs	4 pcs

## Hardware List

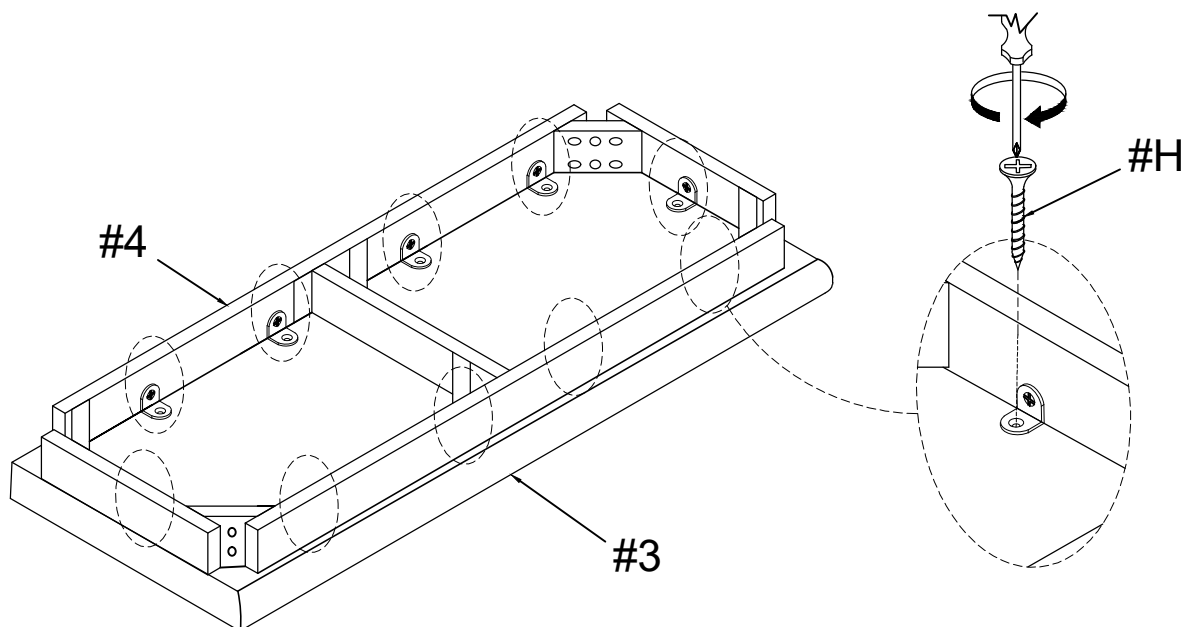
NO.	DIAGRAM	PART NAME	Q'ty
#A		Bolt Ø5/16" x 2-1/2"	8 pcs
#B		Spring washer Ø5/16"	8 pcs
#C		Flat washer Ø5/16"	8 pcs
#D		Allen key M5	1 pc
#E		Bolt Ø1/4" x 2-1/4"	8 pcs
#F		Spring washer Ø1/4"	8 pcs
#G		Flat washer Ø1/4"	8 pcs
#H		Screw #4 x 15mm	10 pcs
#I		Allen key M4	1 pc



## STEP 1:

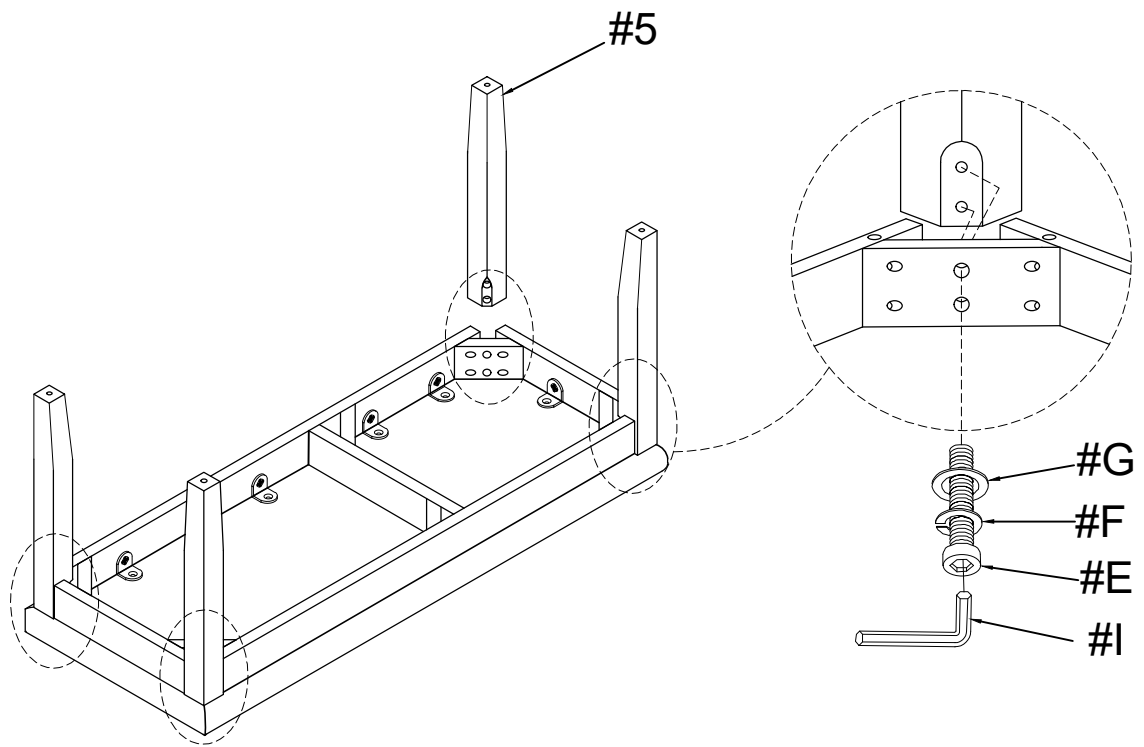


## STEP 2:

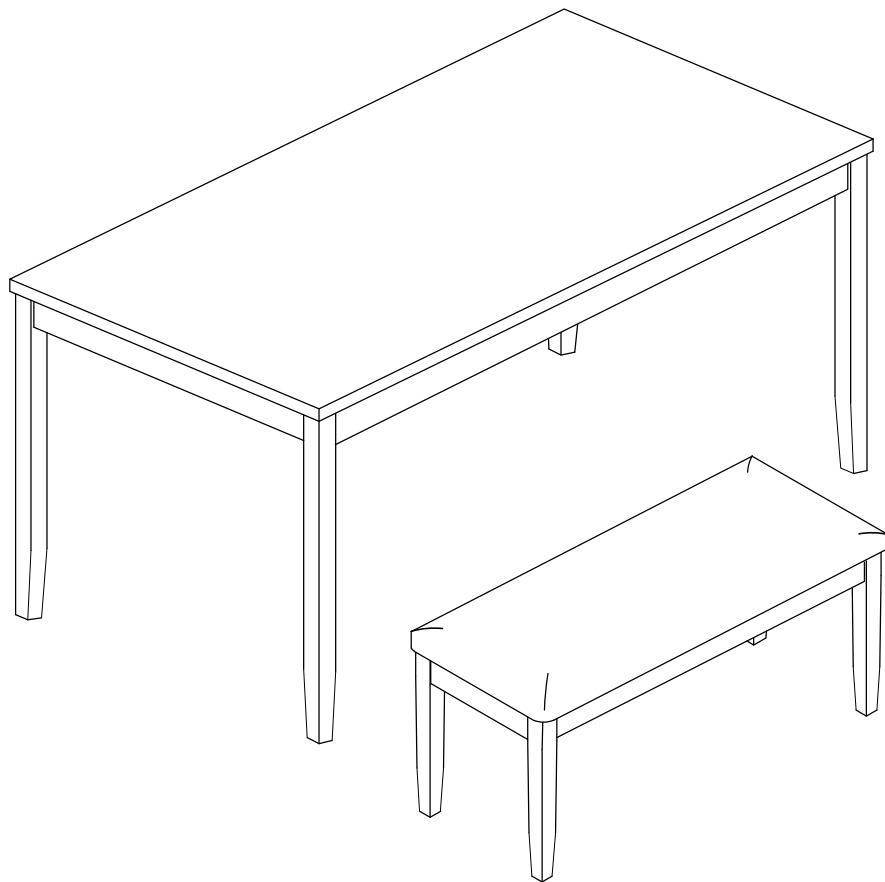


**Do not tighten screws until completely assembled.**

**STEP 3:**



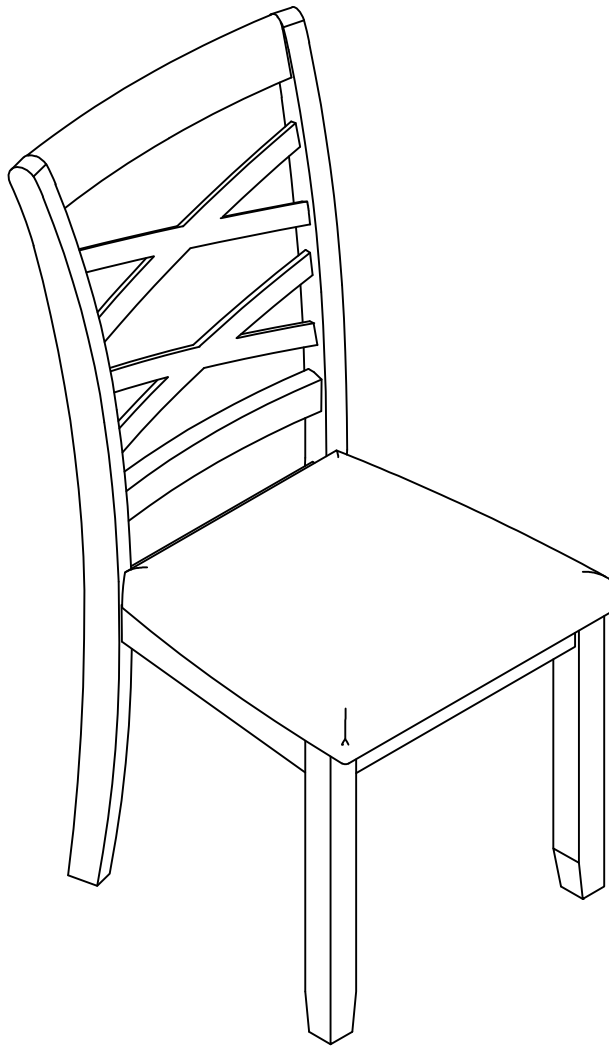
**STEP 4:**



**Tighten all screws until completely assembled.**

# ASSEMBLY INSTRUCTIONS


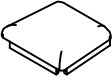
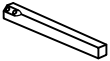
ITEM NO. FB3051CST-SC-4PK









## ASSEMBLY TIPS:

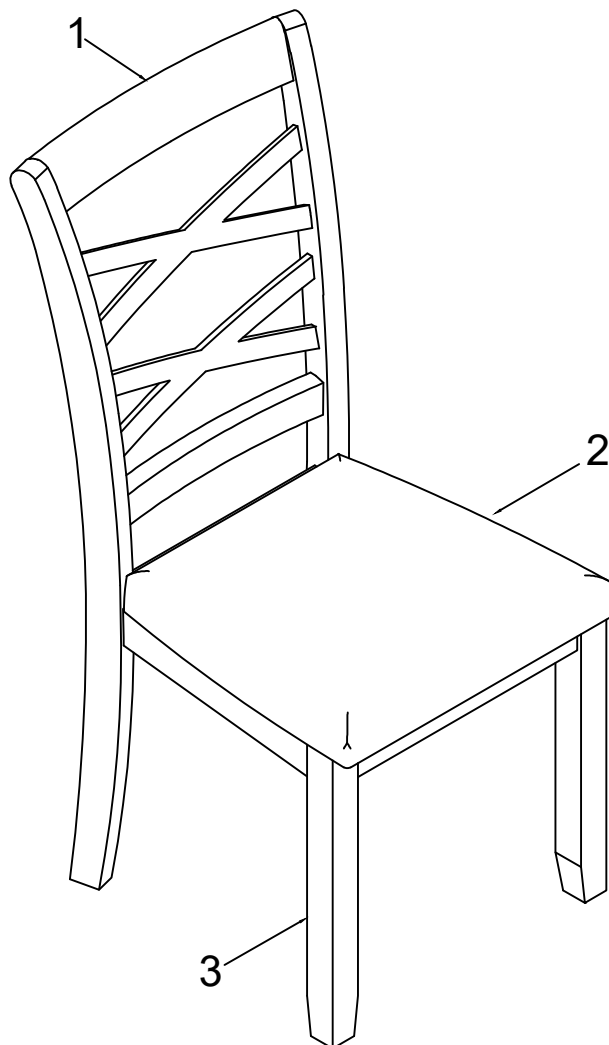
1. Remove hardware from box and sort by size.
2. Please check to see that all hardware and parts are present prior to start of assembly.
3. Please follow attached instructions in the same sequence as numbered to assure fast & easy assembly.

## PARTS LIST

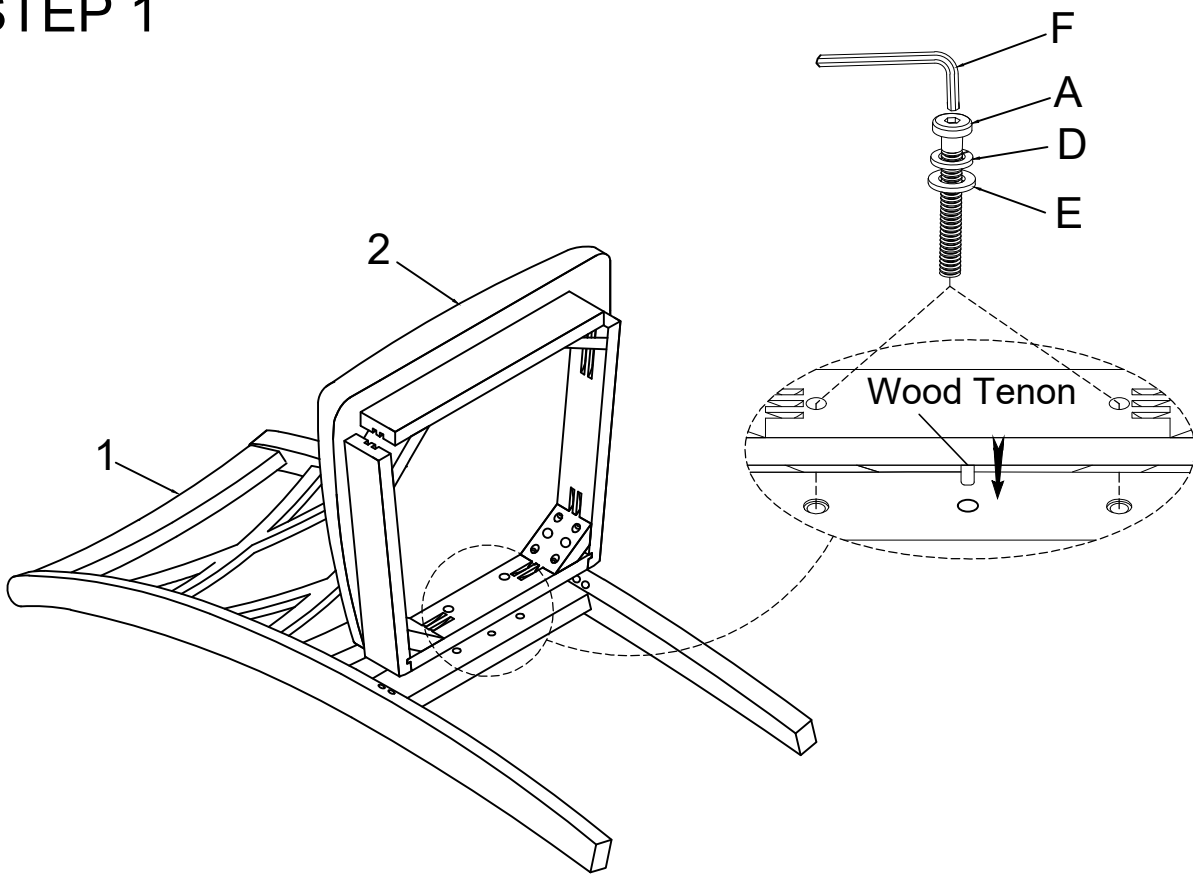
NO.	DIAGRAM	PART NAME	Q'Ty
1		CHAIR BACK	1PC x4
2		CUSHION SEAT	1PC x4
3		LEG	2PCS x4

## HARDWARE LIST

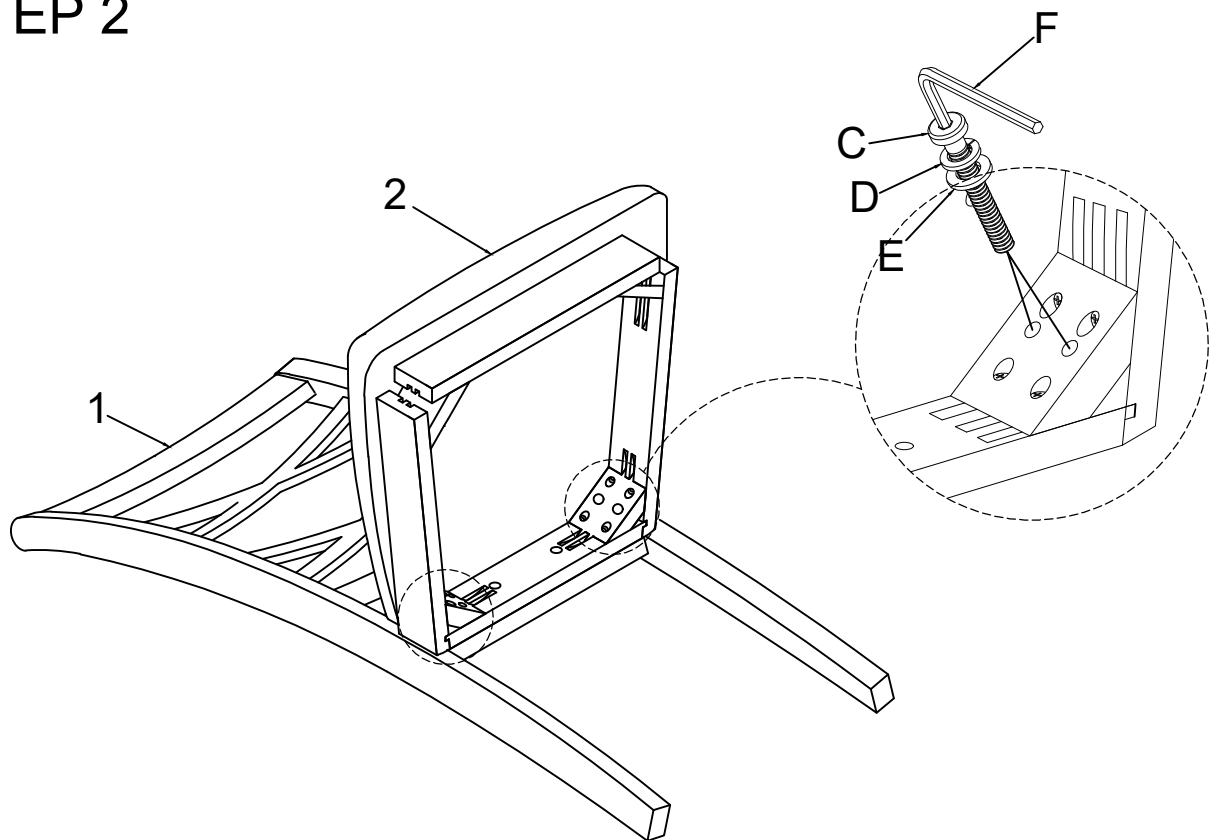
NO.	DIAGRAM	PART NAME	Q'Ty
A		BOLT Ø1/4" x 1-1/2"	2PCS x4
B		BOLT Ø1/4" x 2-3/8"	4PCS x4
C		BOLT Ø1/4" x 3"	4PCS x4
D		LOCK WASHER Ø1/4"	10PCS x4
E		FLAT WASHER Ø1/4" x 19mm	10PCS x4
F		ALLEN KEY 4mm	1PC x4



# STEP 1

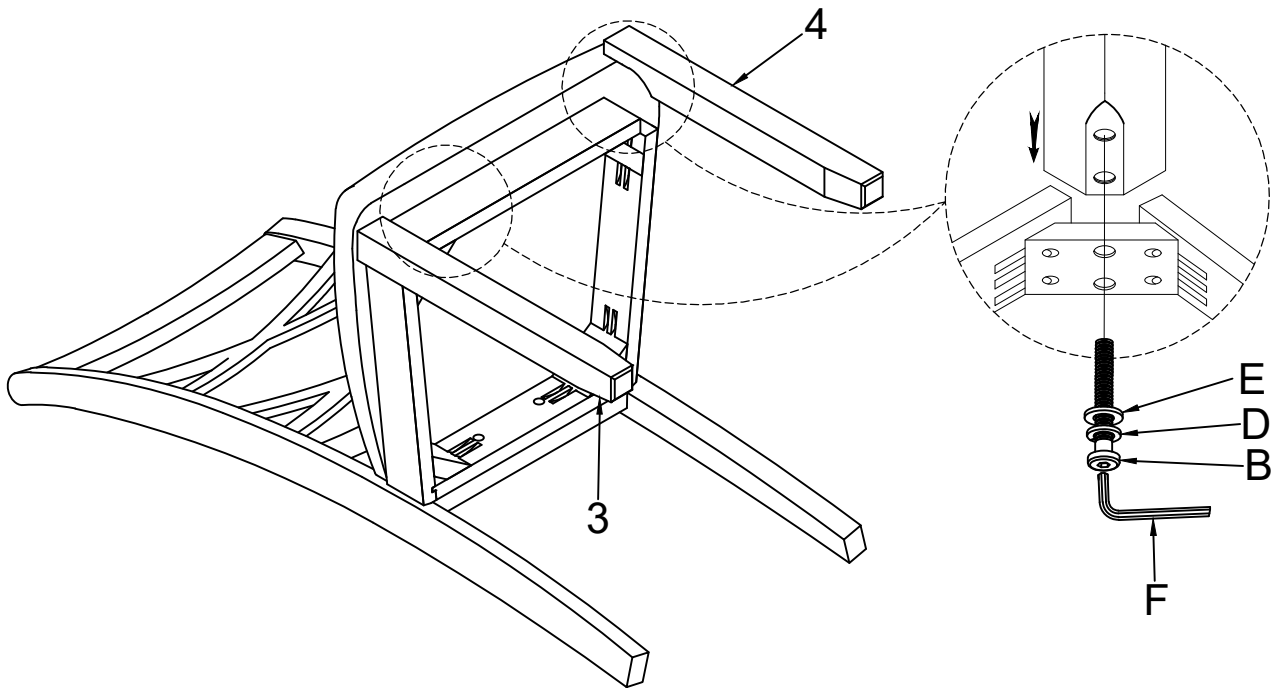


# STEP 2

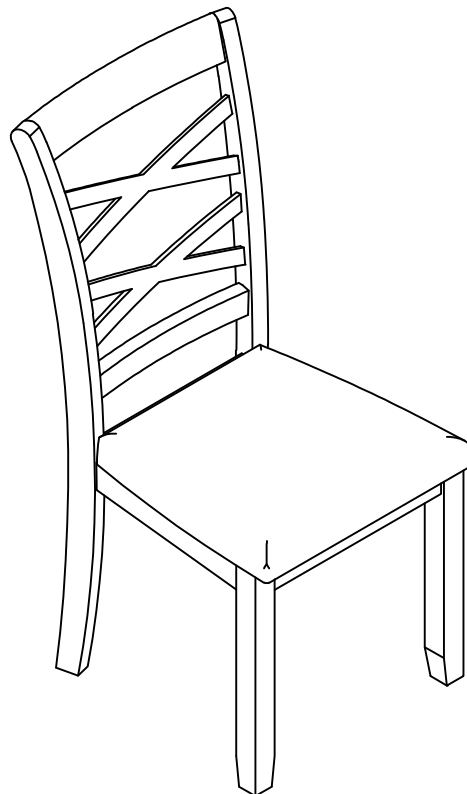


**Do not tighten screws until completely assembled.**

### STEP 3



### STEP 4



**Tighten all screws until completely assembled.**