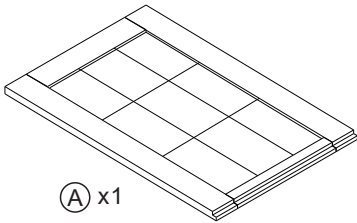


DUTCH DOOR INSTALLATION GUIDE

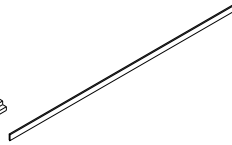
In case of questions or missing parts, please contact Dooraftersale@gmail.com

What's included

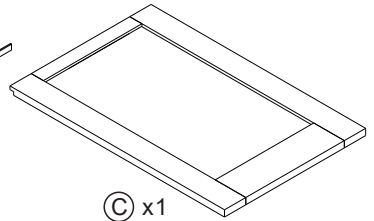
Contents (2 Door Panel Set)



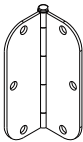
(A) x1



(B) x1



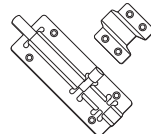
(C) x1



(D) x4



(E) x24



(F) x1

Tools Required

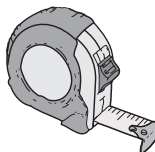
Speed Square



Phillips Screwdriver



Tape Measure



Pencil



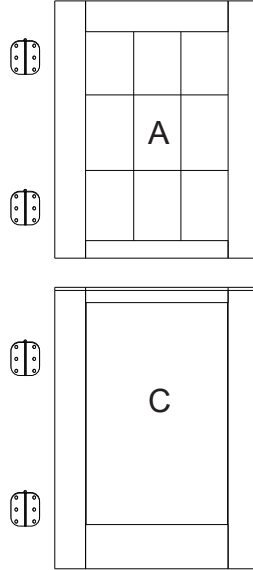
Power Drill



Step ①

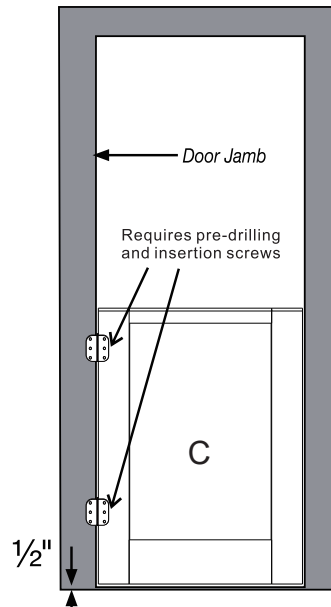
Open the box and put the two door panels flat on the ground. Install the hinges on one side of each of the two door panels

The door is universal handling so you can install in left/ right and inswing/ outswing



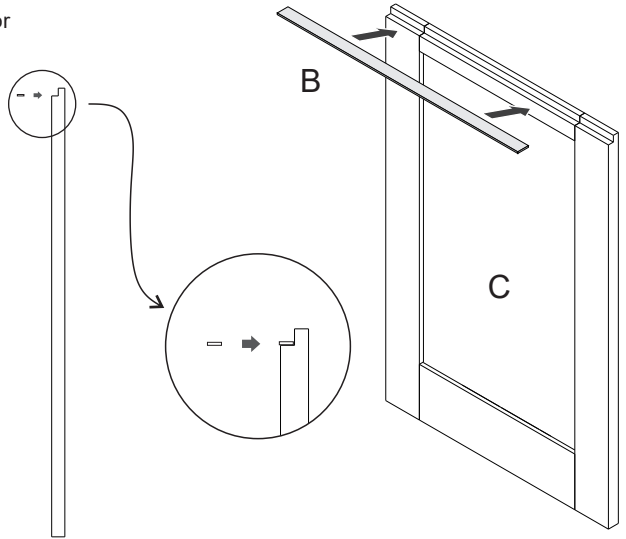
Step ②

Place the bottom half of the door into the door jamb. Make sure the door is level and there is a $\frac{1}{2}$ " gap from the bottom of the door to the floor. When the door is level, place the hinges on the door jamb. Use the holes on the hinges as a guide for pre-drilling. After pre-drilling the holes fasten the screws



Step ③

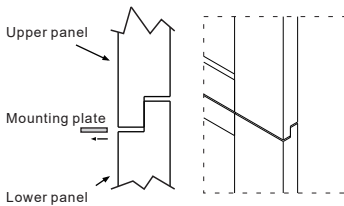
Install the mounting plate in the recessed position of the lower door panel.



The Mounting Plate is to make sure there is a distance of 1/8" between the upper and lower door panels.

Step ④

Place the top half of the door on top of the lower half. Make sure the door is level. When the top half is in place, put the hinges on the door jamb as a guide for pre-drilling. When the holes are completed insert the screws and fasten.



After confirming that the Dutch doors work properly, remove the mounting plate.

