

OWNER'S MANUAL

10' x 10' BAR & GRIDDLE

TABLE OF CONTENTS

ASSEMBLY GUIDE	02
OPERATION INSTRUCTIONS	13
CUSTOMER SUPPORT	14



Latest version of the manual:
BlackstoneProducts.com/support

IMPORTANT:

This instruction manual contains important information necessary for the proper assembly and safe use of the appliance.

Read and follow all warnings and instructions before assembling and using the appliance.

Follow all warnings and instructions when using the appliance.

Keep this manual for future reference.

Installer/Assembler: Leave these instructions with the consumer.

SAFETY ALERT KEY

⚠ DANGER

Indicates a hazardous situation that, if not avoided, will result in death or serious injury.

⚠ WARNING

Indicates a hazardous situation that, if not avoided, could result in death or serious injury.

⚠ CAUTION

Indicates a hazardous situation that, if not avoided, could result in minor or moderate injury.

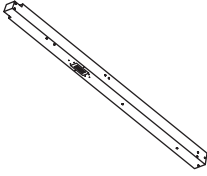
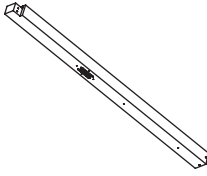
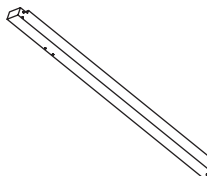
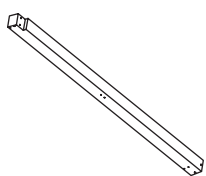
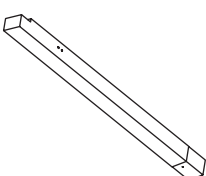
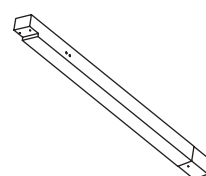
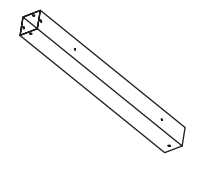
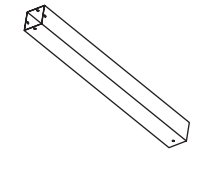
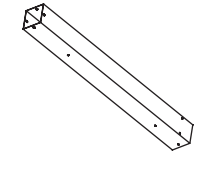
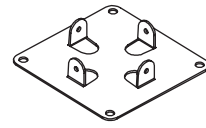

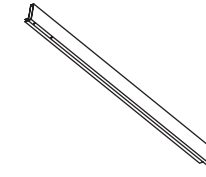
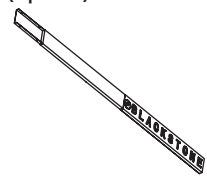
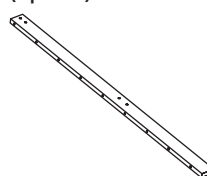
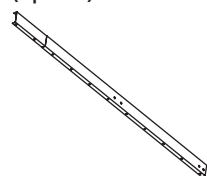
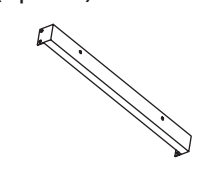
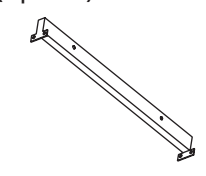
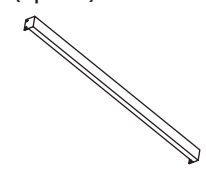
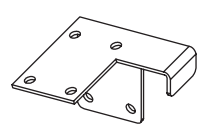
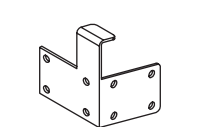
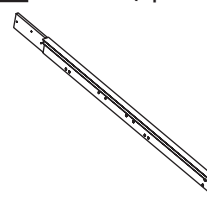
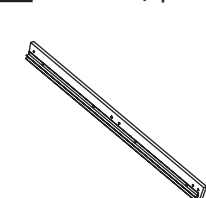
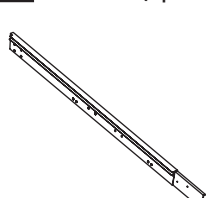
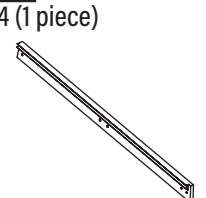
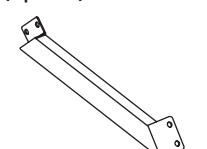
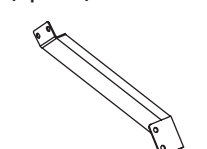
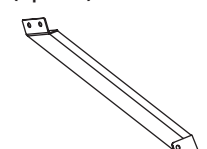
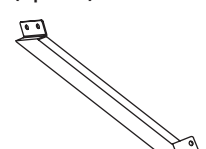
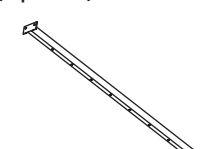
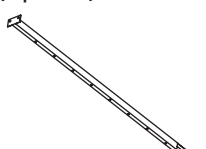
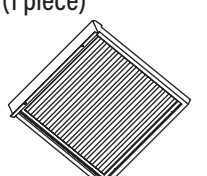
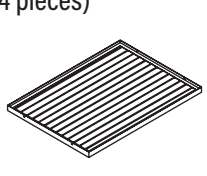
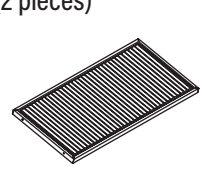
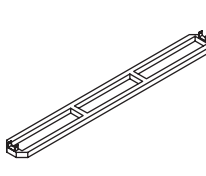
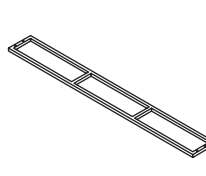
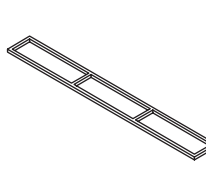
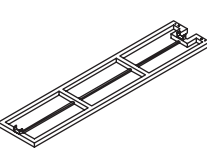
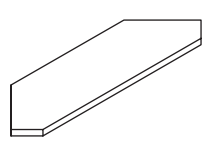
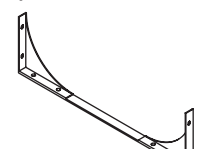
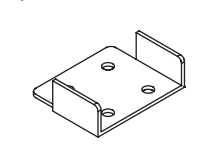
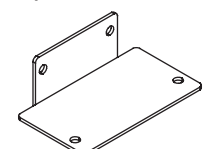
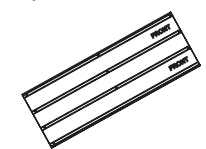
NOTICE

Indicates information considered important, but not hazard-related (e.g. messages related to property damage).

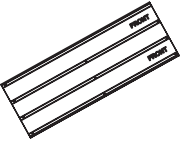
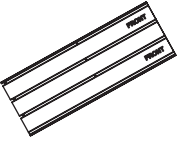
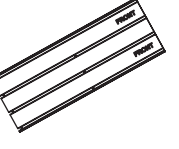
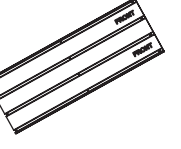
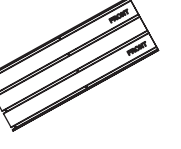
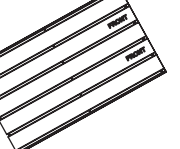
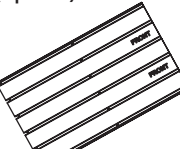


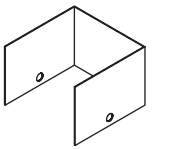

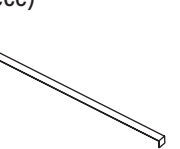
ASSEMBLY GUIDE

PARTS LIST

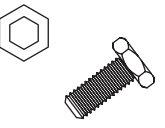
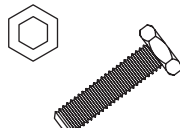
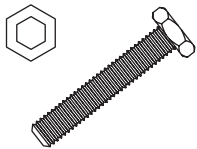
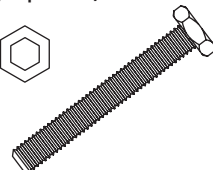
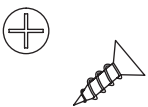
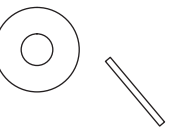
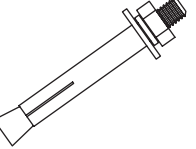
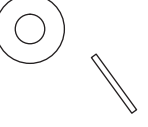
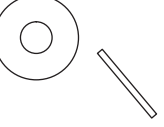
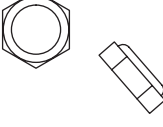

ENGLISH

A1 Post 1 (1 piece) 	A2 Post 2 (1 piece) 	A3 Post 3 (1 piece) 	A4 Post 4 (1 piece) 	A5 Post 5 (1 piece) 	A6 Post 6 (1 piece) 
A7 Post 7 (1 piece) 	A8 Post 8 (1 piece) 	A9 Post 9 (1 piece) 	B Foot base (7 pieces) 	C Foot cover (14 pieces) 	D1 Cross beam 1 (1 piece) 
D2 Cross beam 2 (1 piece) 	D3 Cross beam 3 (1 piece) 	D4 Cross beam 4 (1 piece) 	D5 Cross beam 5 (4 pieces) 	D6 Cross beam 6 (2 pieces) 	D7 Cross beam 7 (1 piece) 
E1 Cross beam connector 1 (1 piece) 	E2 Cross beam connector 2 (1 piece) 	F1 Roof rib 1 (1 piece) 	F2 Roof rib 2 (1 piece) 	F3 Roof rib 3 (1 piece) 	F4 Roof rib 4 (1 piece) 
G1 Support bracket 1 (1 piece) 	G2 Support bracket 2 (1 piece) 	G3 Support bracket 3 (1 piece) 	G4 Support bracket 4 (1 piece) 	H1 Roof top rib 1 (3 pieces) 	H2 Roof top rib 2 (3 pieces) 
J1 Side panel 1 (1 piece) 	J2 Side panel 2 (4 pieces) 	J3 Side panel 3 (2 pieces) 	K1 Shelf 1 (1 piece) 	K2 Shelf 2 (1 piece) 	K3 Shelf 3 (1 piece) 
K4 Shelf 4 (1 piece) 	K5 Shelf 5 (1 piece) 	L1 Shelf brace 1 (2 pieces) 	L2 Shelf brace 2 (2 pieces) 	L3 Shelf brace 3 (1 piece) 	M1 Roof panel 1 (1 piece) 

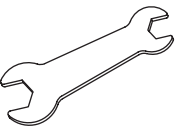
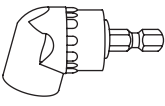
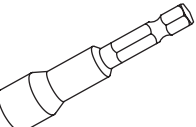
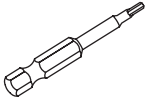
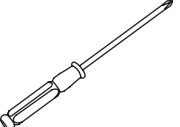


M2 Roof panel 2 (1 piece) 	M3 Roof panel 3 (1 piece) 	M4 Roof panel 4 (1 piece) 	M5 Roof panel 5 2 (2 pieces) 	M6 Roof panel 6 2 (2 pieces) 	M7 Roof panel 7 (1 piece) 
M8 Roof panel 8 (1 piece) 	N1 Roof border 1 (1 piece) 	N2 Roof border 2 (1 piece) 	O Post protector (1 piece) 	R Electrical power cover (2 pieces) 	S Cross beam connecting pole (1 piece) 

HARDWARE

AA M6×15 bolts (172+10 pieces) 	BB M6×25 bolts (8 pieces) 	CC M6×35 bolts (85+5 pieces) 	DD M6×45 bolts (10 pieces) 	EE M3×9 bolts (8+1 pieces) 	FF M6×16 flat washer (257+15 pieces) 
GG M8×70 Concrete anchor (28 pieces) 	HH M6×14 Flat washer (18+2 pieces) 	JJ Sealant washer (66+4 pieces) 	KK Plastic cap (18+2 pieces) 	MM Magnetic hook (15 pieces) 	

TOOLS INCLUDED

Z1 Double end open wrench (1 piece) 	Z2 Angle drill adapter (1 piece) 	Z3 Hex socket driver 10mm×65mm (1 piece) 	Z4 Hex drill bit 4mm×50mm (1 piece) 	Z5 M3 Screwdriver (1 piece) 
--	---	---	---	--

Follow all safety warnings provided with your tools.

A step-ladder (not included) is required for assembly.
 Check the components against the parts list and make sure there are no missing parts.
 Lay pieces on cardboard or a soft mat to help protect the pieces from scratches.

ASSEMBLY INSTRUCTIONS

Find a large, clean area to assemble your appliance.

Remove all packing material before assembling. (You may have additional or spare hardware after assembly.)

CAUTION

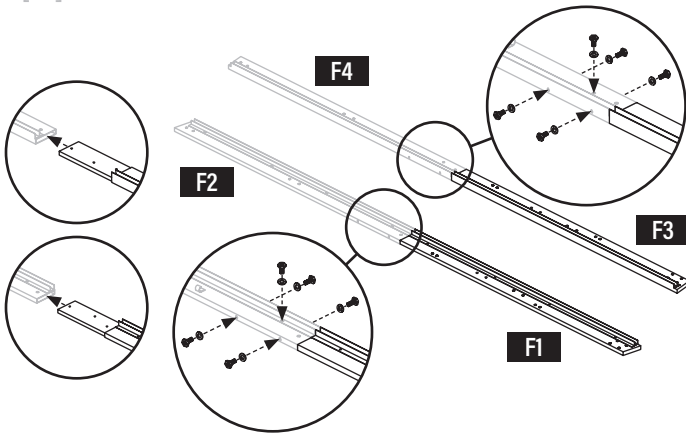
Sharp edges. Wear gloves while assembling.

STEP 01 Use five (5) [AA] bolts and five (5) [FF] flat washers to attach roof rib 1 [F1] to roof rib 2 [F2].

Use five (5) [AA] bolts and five (5) [FF] washers to attach roof rib 3 [F3] to roof rib 4 [F4].

[AA] × 10

[FF] × 10



For ease of assembly, it is recommended to have 3 or more people and allow enough time to completely finish the assembly.

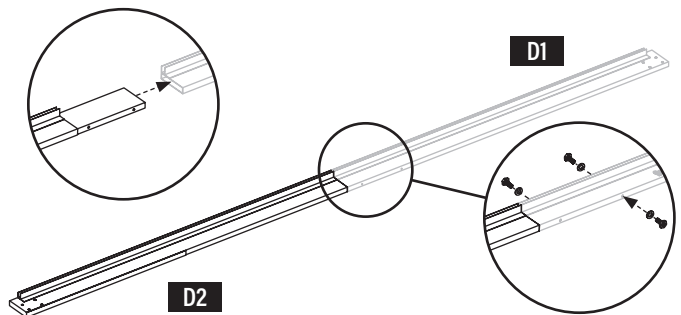
(Assembly can take 6-8 hours.)

DO NOT tighten screws until all the screws and washers are properly installed.

STEP 02 Use three (3) [AA] bolts and three (3) [FF] flat washers to attach cross beam 2 [D2] to cross beam 1 [D1].

[AA] × 3

[FF] × 3



STEP 03 Use two (2) [AA] bolts and two (2) [FF] flat washers to attach cross beam 4 [D4] to cross beam 3 [D3].

[AA] × 2

[FF] × 2



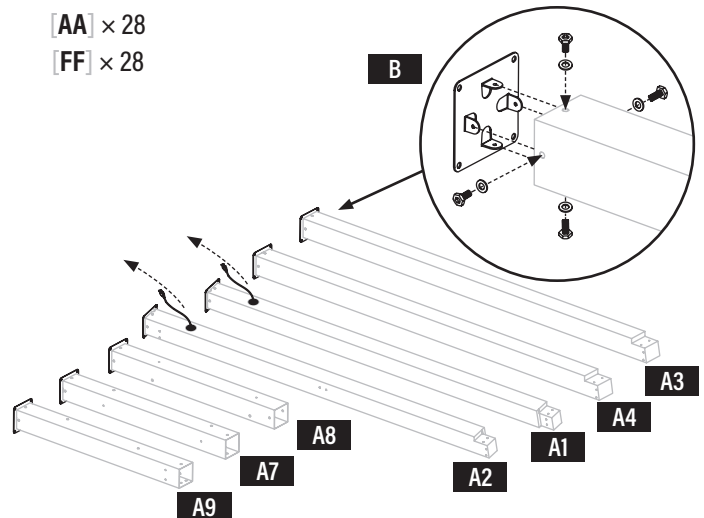
STEP 04 Pull the electric cord out through the plug on posts [A1] and [A2].

Use four (4) [AA] bolts and four (4) [FF] flat washers to attach one (1) foot base [B] to post 3 [A3].

Repeat with posts [A1], [A2], [A4], [A7], [A8], and [A9].

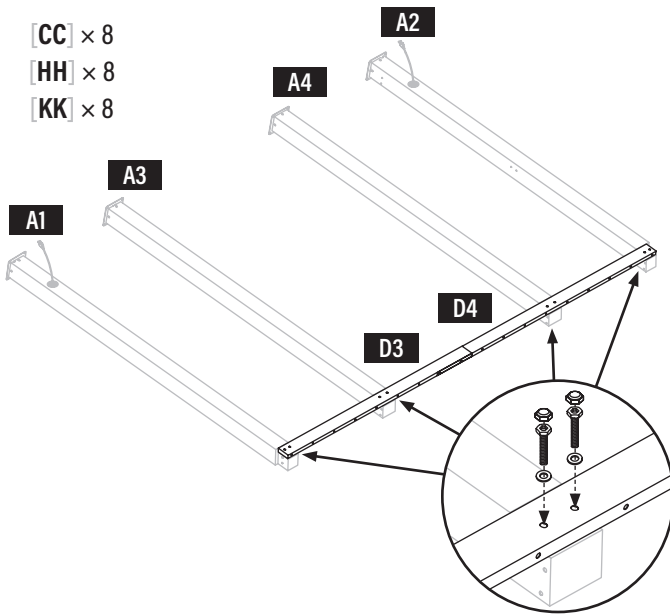
[AA] × 28

[FF] × 28





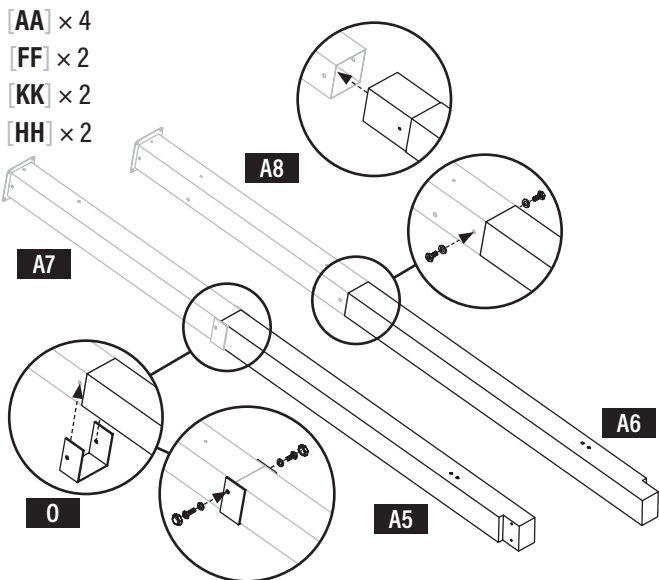
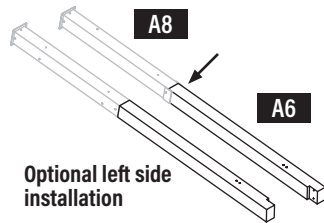
STEP 05 Use eight (8) [CC] bolts, eight (8) [HH] washers, and eight (8) [KK] plastic caps to attach the [D3] [D4] cross beam assembly to posts [A1], [A3], [A4], and [A2] with the rivnuts at the top.



STEP 07 Use two (2) [AA] bolts and two (2) [FF] flat washers to attach post 6 [A6] to post 8 [A8].

Slide the post protector [O] over posts [A5] and [A7].

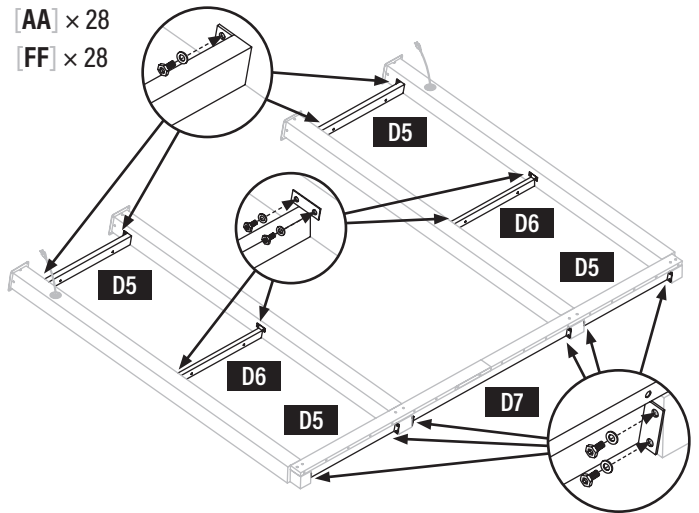
Use two (2) [AA] bolts, two (2) [HH] flat washers, and two (2) [KK] plastic caps to attach the post protector [O] to posts [A5] and [A7].



STEP 06 Use eight (8) [AA] bolts and eight (8) [FF] flat washers to attach two (2) [D5] cross beams to the bottom of the post assemblies, with the rivnuts oriented down.

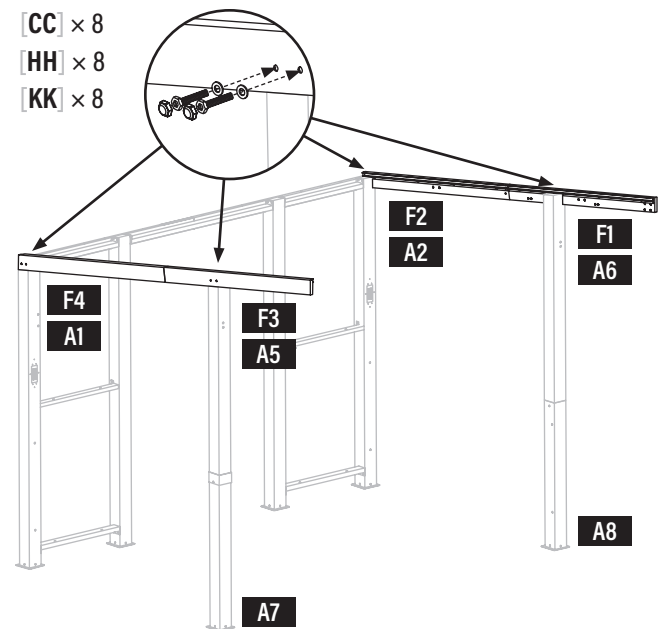
Use eight (8) [AA] bolts and eight (8) [FF] flat washers to attach two (2) [D6] cross beams to the middle of the post assemblies, with the rivnuts oriented down.

Use twelve (12) [AA] bolts and twelve (12) [FF] flat washers to attach two (2) [D5] cross beams and the [D7] cross beam to the top of the post assemblies.

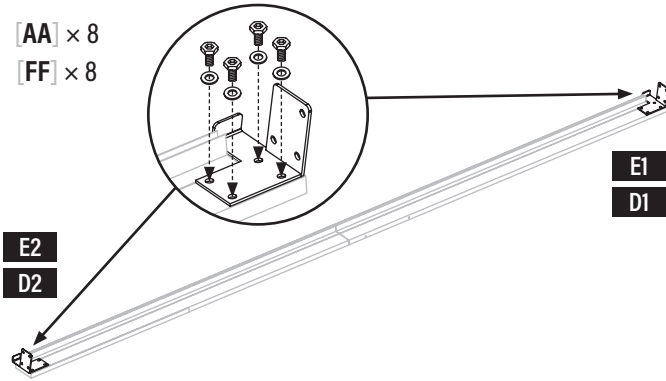


STEP 08 Use two (2) [CC] bolts, two (2) [HH] flat washers, and two (2) [KK] plastic caps to attach cross beam [F4] to post [A1]. Use two (2) [CC] bolts, two (2) [HH] flat washers, and two (2) [KK] plastic caps to attach cross beam [F3] to post [A5].

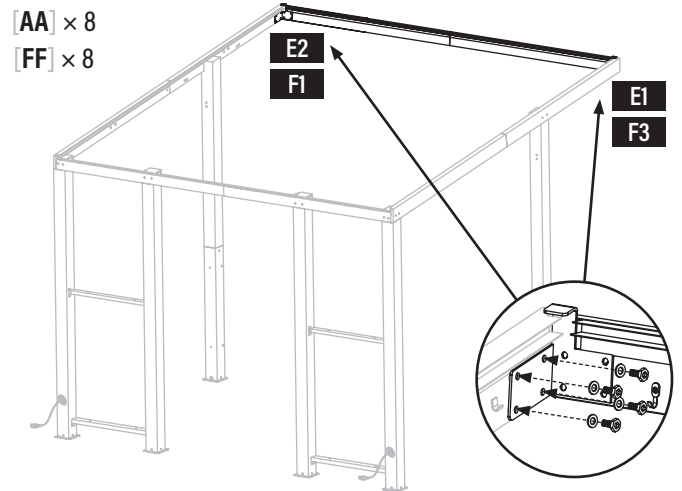
Use two (2) [CC] bolts, two (2) [HH] flat washers, and two (2) [KK] plastic caps to attach cross beam [F2] to post [A2]. Use two (2) [CC] bolts, two (2) [HH] flat washers, and two (2) [KK] plastic caps to attach cross beam [F1] to post [A6].



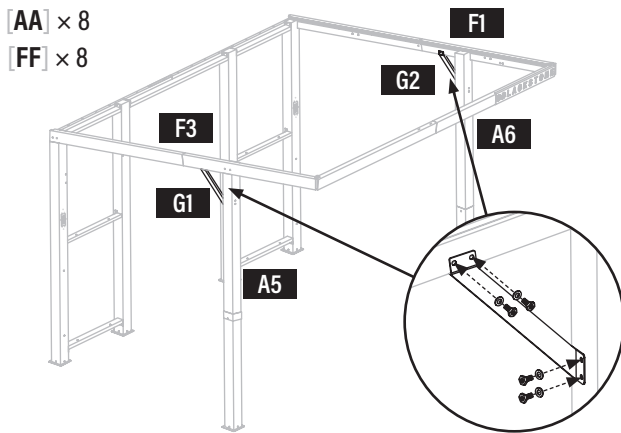
STEP 09 Use four (4) [AA] bolts and four (4) [FF] flat washers to attach cross beam connector 1 [E1] to cross beam [D1].
Use four (4) [AA] bolts and four (4) [FF] flat washers to attach cross beam connector 2 [E2] to cross beam [D2].



STEP 10 Use four (4) [AA] bolts and four (4) [FF] flat washers to attach cross beam connector [E2] to cross beam [F1].
Use four (4) [AA] bolts and four (4) [FF] flat washers to attach cross beam connector [E1] to cross beam [F3].

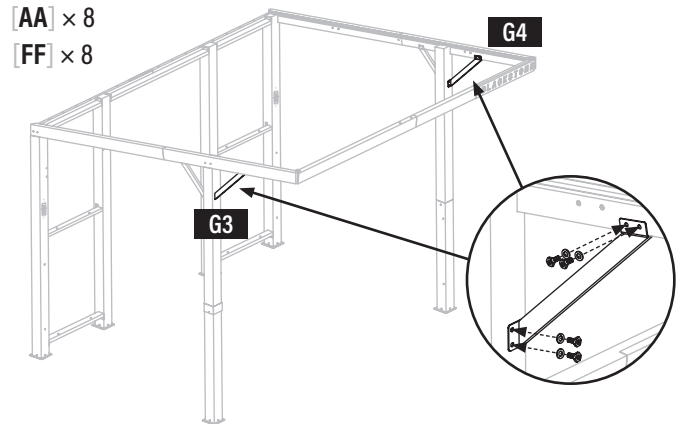


STEP 11 Use four (4) [AA] bolts and four (4) [FF] flat washers to attach support bracket 1 [G1] to cross beam [F3] and post [A5].
Use four (4) [AA] bolts and four (4) [FF] flat washers to attach support bracket 1 [G2] to cross beam [F1] and post [A6].

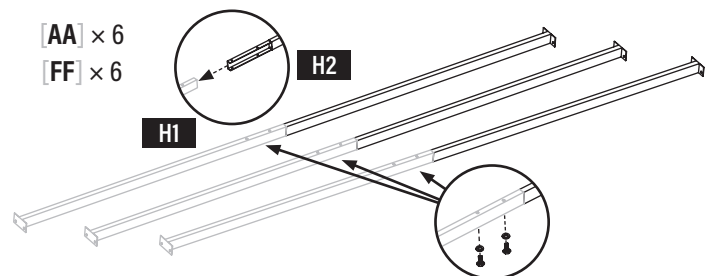


STEP 12 Note: DO NOT tighten the bolts completely until all the bolts and washers are properly installed.

Use four (4) [AA] bolts and four (4) [FF] flat washers to attach support bracket 3 [G3] to cross beam [F3] and post [A5].
Use four (4) [AA] bolts and four (4) [FF] flat washers to attach support bracket 4 [G4] to cross beam [F1] and post [A6].



STEP 13 Use two (2) [AA] bolts and two (2) [FF] flat washers to attach one (1) roof top rib 1 [H1] to one (1) roof top rib 2 [H2].
Repeat with the other two (2) [H1] and [H2] roof top ribs.



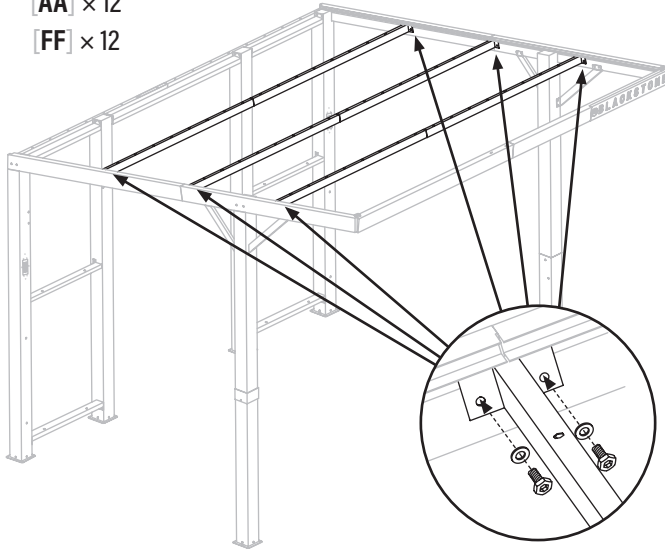


STEP 14 Use four (4) [AA] bolts and four (4) [FF] flat washers to attach one (1) roof top rib assembly to the left and right cross beam assemblies.

Repeat with the other two (2) roof top rib assemblies.

[AA] × 12

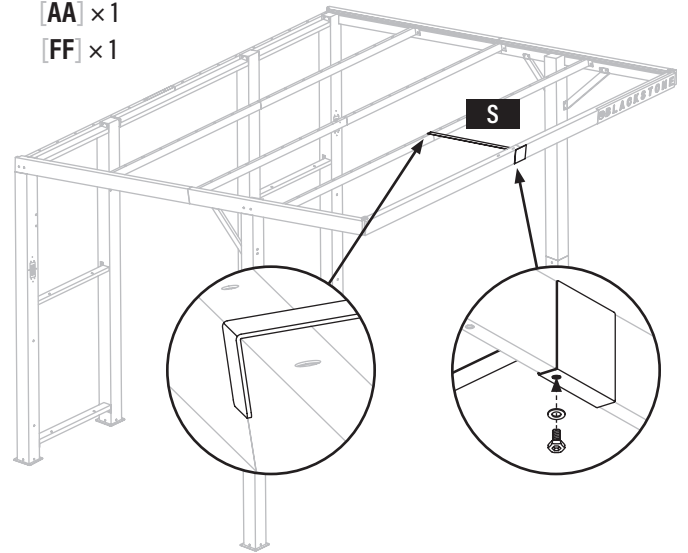
[FF] × 12



STEP 15 Use one (1) [AA] bolt and one (4) [FF] flat washer to attach the cross beam connecting pole [S] to cross beam connectors [E1] and [E2].

[AA] × 1

[FF] × 4

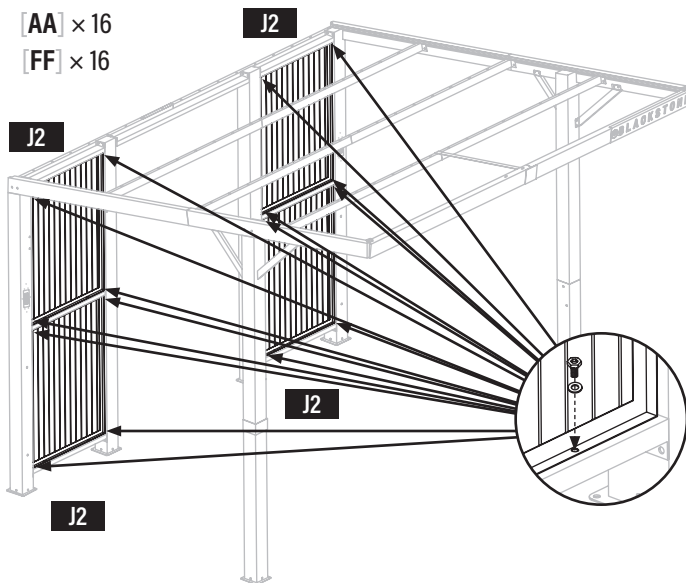


STEP 16 Use four (4) [AA] bolts and four (4) [FF] flat washers to attach one (1) side panel 2 [J2] to the rear cross beam assemblies.

Repeat with the other three (3) [J2] side panels and rear cross beam assemblies.

[AA] × 16

[FF] × 16

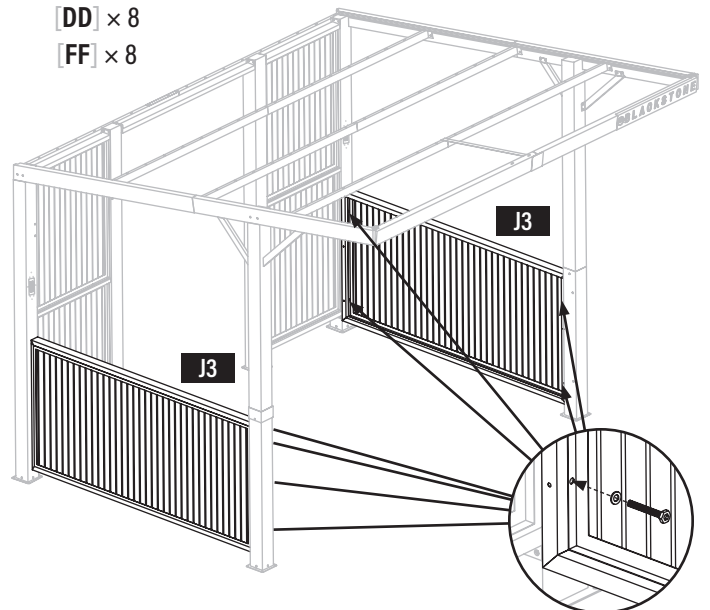


STEP 17 Use four (4) [DD] bolts and four [FF] flat washers to attach one (1) side panel 3 [J3] to the outer posts.

Repeat with the other [J3] side panel.

[DD] × 8

[FF] × 8



STEP 18 Note: For steps 17-25, the assembler can choose to assemble the shelves and extended table to either the left or right side of the **BLACKSTONE BAR & GRIDDLE**.

Note: DO NOT tighten the bolts completely until **STEP 19** is complete. Refer to the **INSIDE** and **UP** label.

Use four (4) **[BB]** bolts and two (2) **[FF]** flat washers to attach one (1) shelf brace 1 **[L1]** to your preferred **[J3]** side panel.

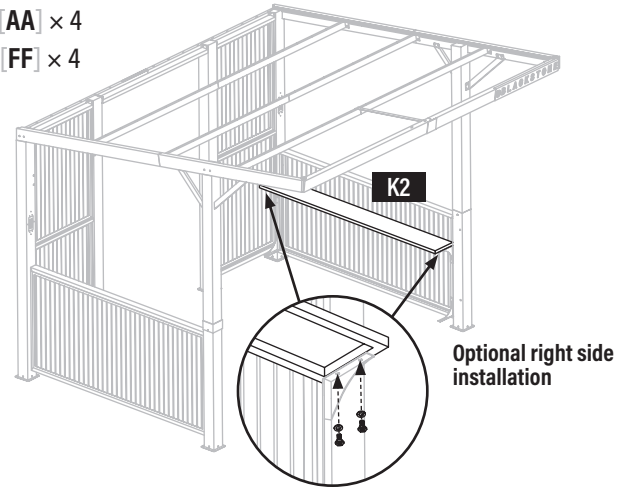
Repeat with the other **[L1]** shelf brace.



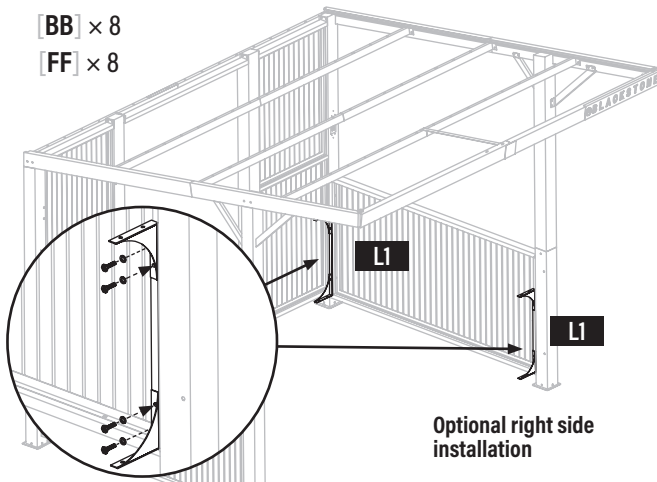
STEP 19 Use four (4) **[AA]** bolts and four (4) **[FF]** flat washers to attach shelf 2 **[K2]** to the **[L1]** shelf braces.



[AA] × 4
[FF] × 4



[BB] × 8
[FF] × 8



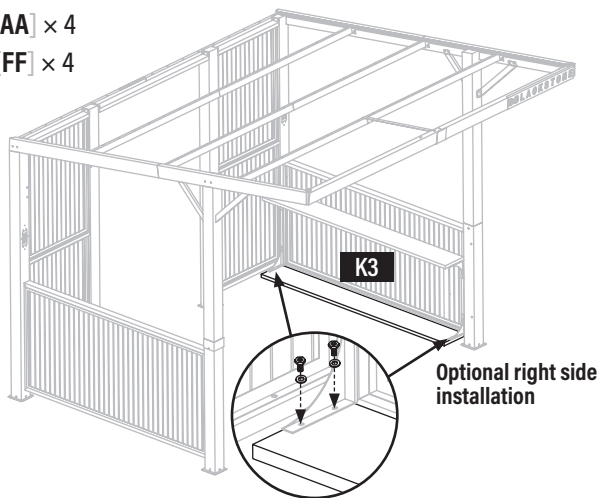
STEP 20 Use four (4) **[AA]** bolts and four (4) **[FF]** flat washers to attach shelf 3 **[K3]** to the **[L1]** shelf braces.



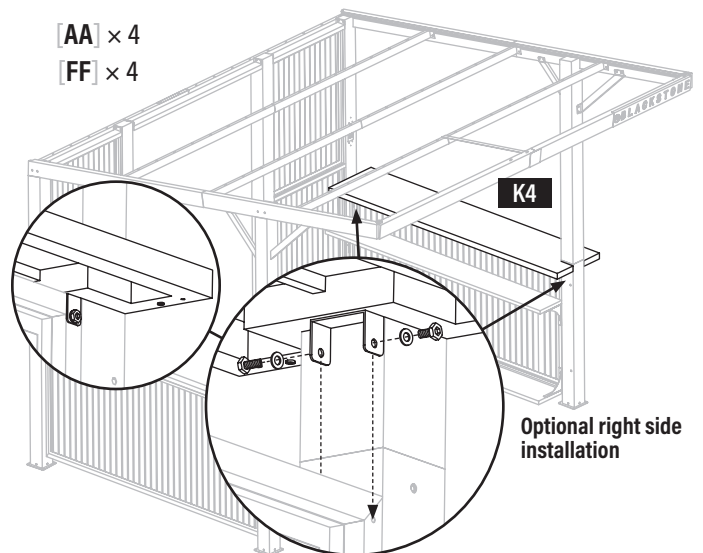
STEP 21 Use four (4) **[AA]** bolts and four (4) **[FF]** flat washers to attach shelf 4 **[K4]** to your preferred **[J3]** side panel.



[AA] × 4
[FF] × 4



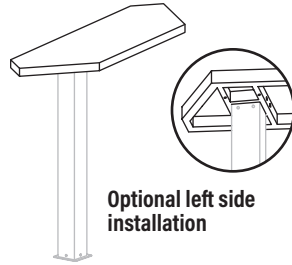
[AA] × 4
[FF] × 4





STEP 22 Note: DO NOT tighten the bolts completely until all the bolts and washers are properly installed.

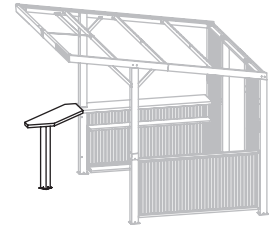
Use three (3) [CC] bolts and three (3) [FF] flat washers to attach the post 9 [A9] assembly to side shelf 5 [K5].



Optional left side installation

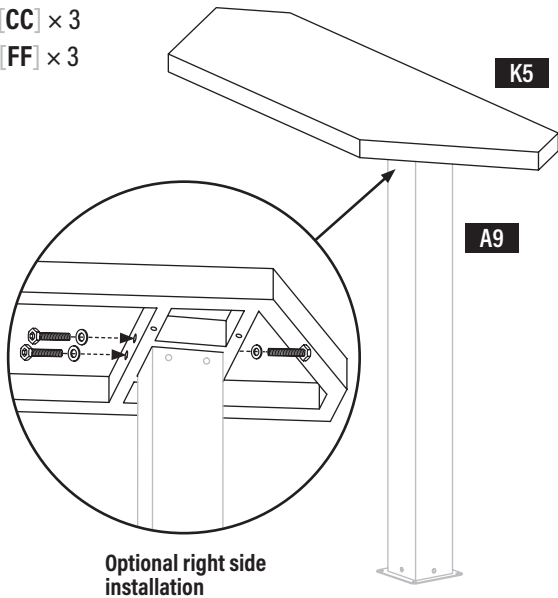
STEP 23 Note: DO NOT tighten the bolts completely until all the bolts and washers are properly installed.

Use eight (8) [AA] bolts and eight (8) [FF] flat washers to attach the two (2) [L2] shelf braces and [K5] shelf to the [K4] shelf assembly.



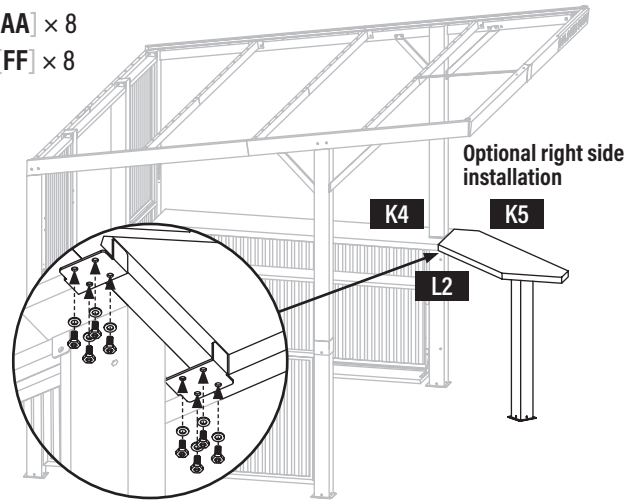
Optional left side installation

- [CC] × 3
- [FF] × 3



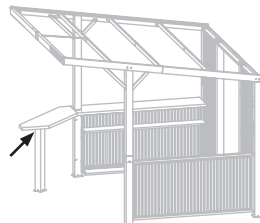
Optional right side installation

- [AA] × 8
- [FF] × 8



Optional right side installation

STEP 24 Use four (4) [AA] bolts and four (4) [FF] flat washers to attach shelf brace 3 [L3] to the [K5] shelf assembly.

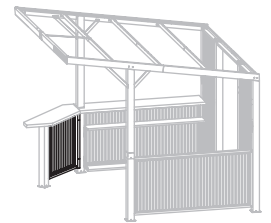


Optional left side installation

STEP 25 Note: DO NOT tighten the bolts completely until all the bolts and washers are properly installed.

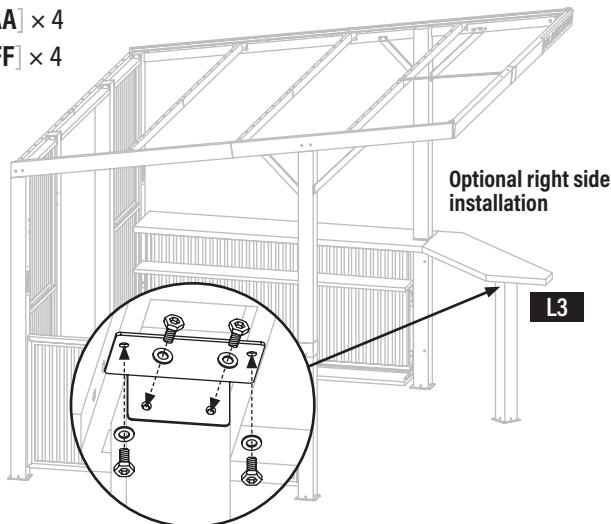
Use two (2) [AA] bolts and two (2) [FF] flat washers to attach side panel 1 [J1] to post 8 [A8].

Use two (2) [DD] bolts and two (2) [FF] flat washers to attach side panel 1 [J1] to post 9 [A9].



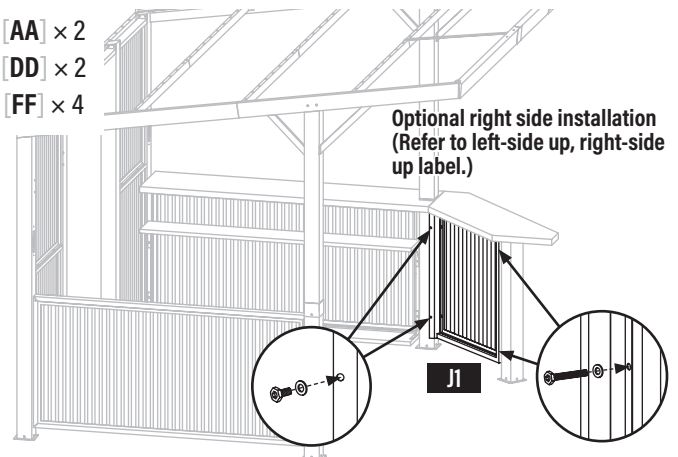
Optional left side installation (Refer to left-side up, right-side up label.)

- [AA] × 4
- [FF] × 4



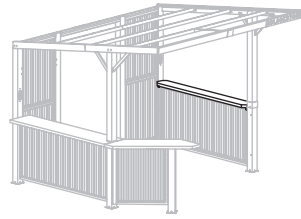
Optional right side installation

- [AA] × 2
- [DD] × 2
- [FF] × 4

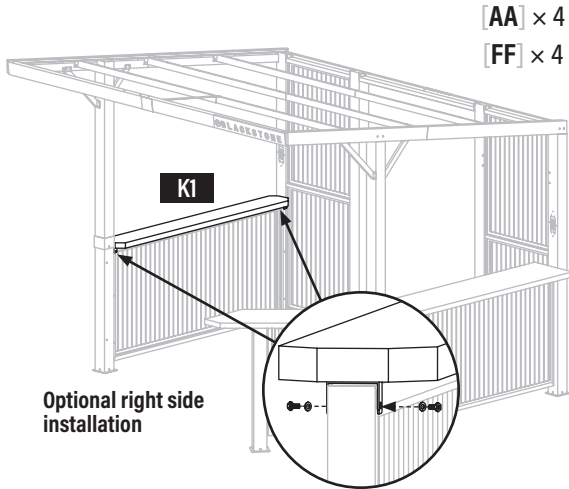


Optional right side installation (Refer to left-side up, right-side up label.)

STEP 26 Use four (4) [AA] bolts and four (4) [FF] flat washers to attach shelf 1 [K1] to the other [J3] side panel.



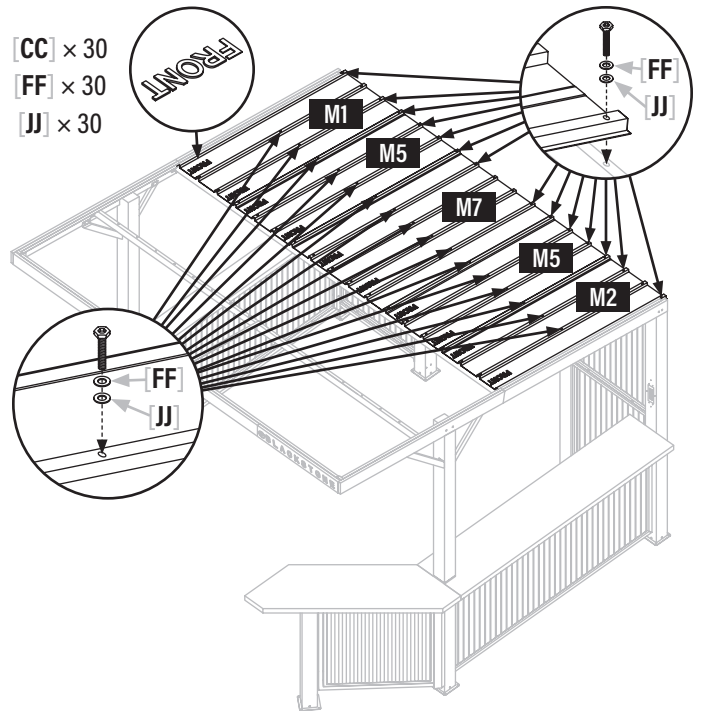
Optional left side installation



STEP 27 Note: DO NOT tighten the bolts completely until all the bolts and washers are properly installed.

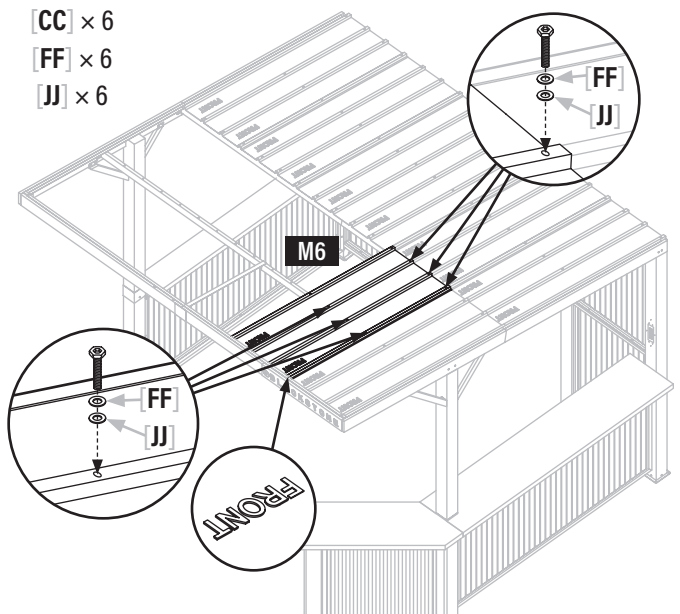
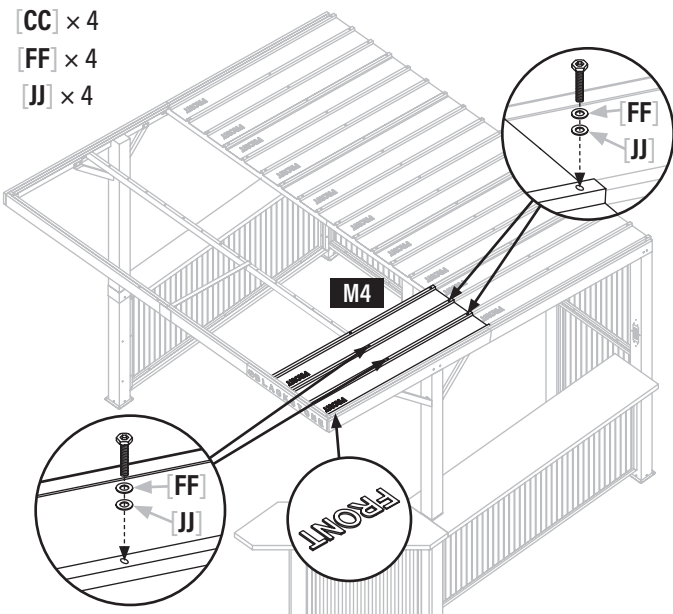
Use fourteen (14) [CC] bolts, fourteen (14) [FF] flat washers, and fourteen (14) [JJ] sealant washers to attach roof panels [M1], [M2], [M5], and [M7] to cross beams [D3] and [D4].

Use sixteen (16) [CC] bolts, fourteen (14) [FF] flat washers, and sixteen (16) [JJ] sealant washers to attach roof panels [M1], [M2], [M5], and [M7] to roof top ribs [H1] and [H2].



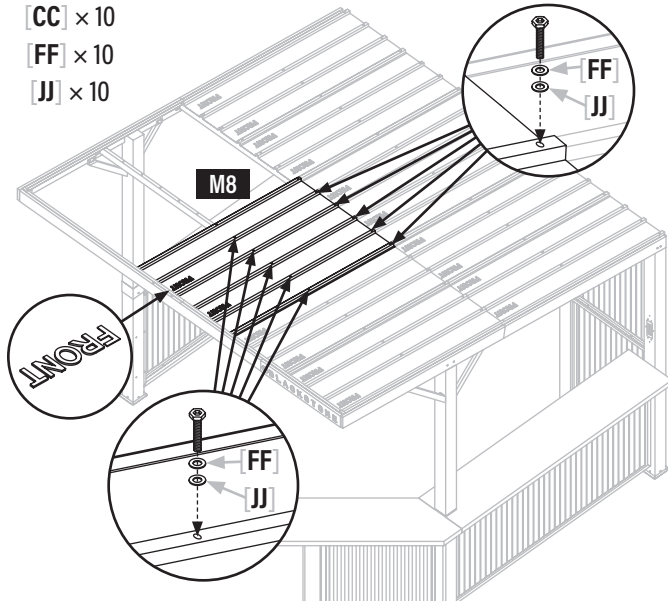
STEP 28 Use four (4) [CC] bolts, four (4) [FF] flat washers, and four (4) [JJ] sealant washers to attach roof panel 4 [M4] to the roof top ribs.

STEP 29 Use six (6) [CC] bolts, six (6) [FF] flat washers, and six (6) [JJ] sealant washers to attach one (1) roof panel 6 [M6] to the roof top ribs.

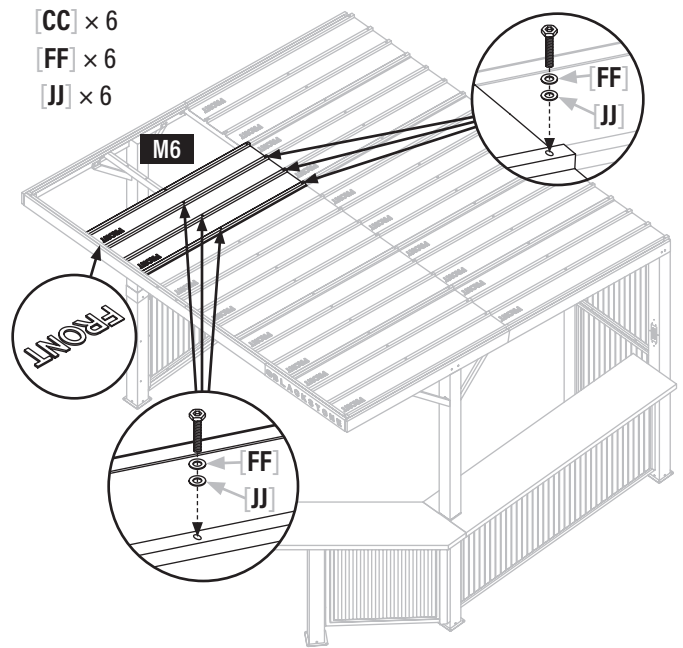




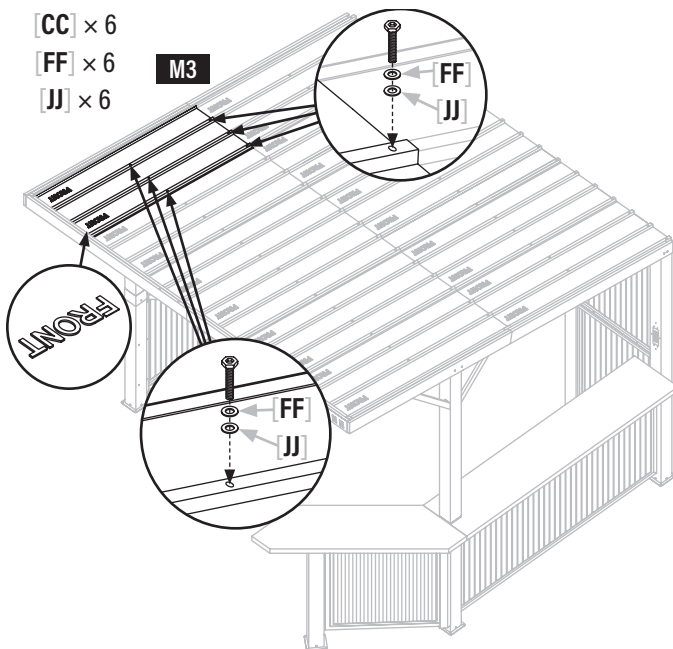
STEP 30 Use ten (10) [CC] bolts, ten (10) [FF] flat washers, and ten (10) [JJ] sealant washers to attach roof panel 8 [M8] to the roof top ribs.



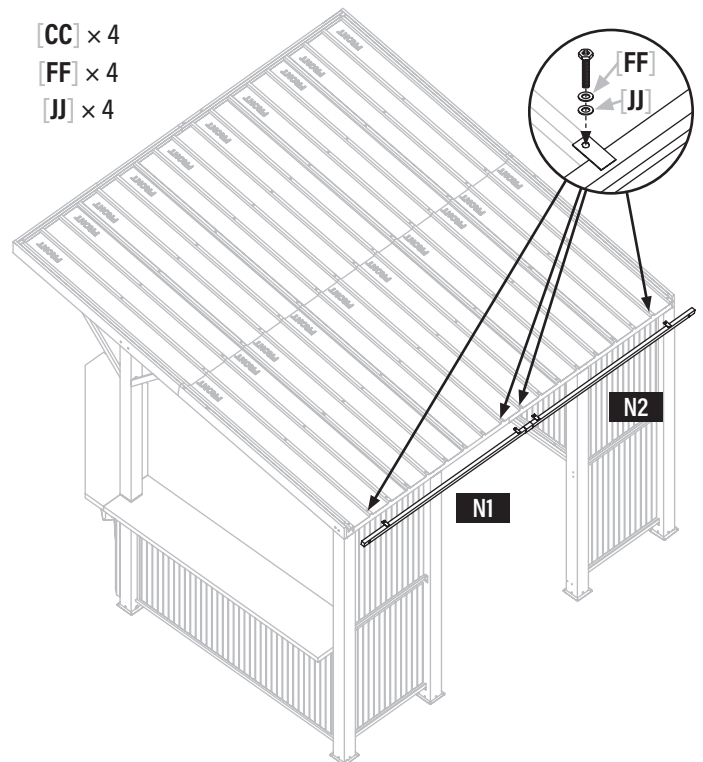
STEP 31 Use six (6) [CC] bolts, six (6) [FF] flat washers, and six (6) [JJ] sealant washers to attach one (1) roof panel 6 [M6] to the roof top ribs.



STEP 32 Use six (6) [CC] bolts, six (6) [FF] flat washers, and six (6) [JJ] sealant washers to attach roof panel 3 [M3] to the roof top ribs.

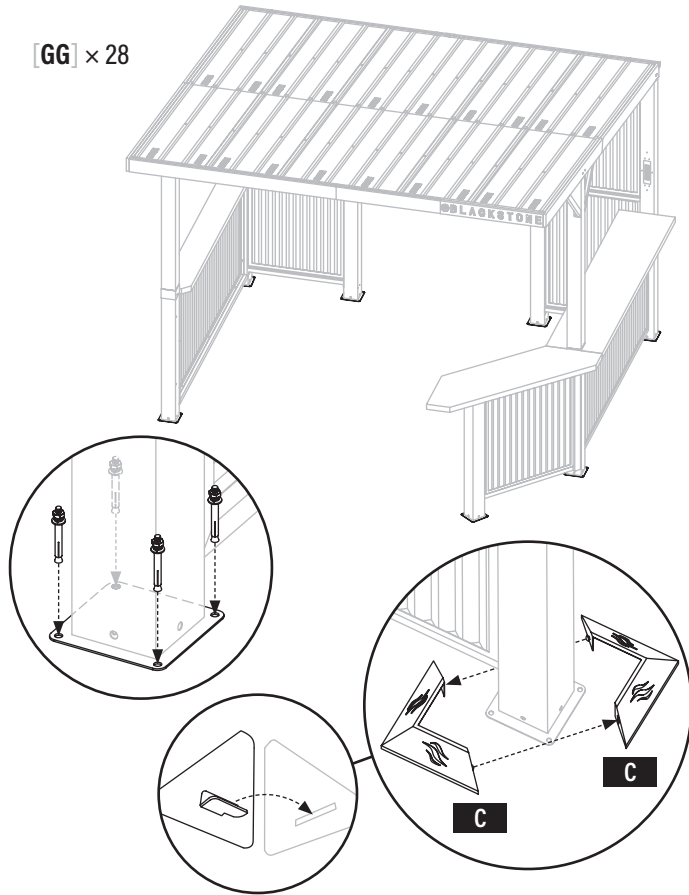


STEP 33 Use four (4) [CC] bolts and four (4) [FF] flat washers to attach roof borders [N1] and [N2] to the tops of the roof panels.



STEP 34 Use four (4) [GG] expansion bolts to anchor each post foot base [B].

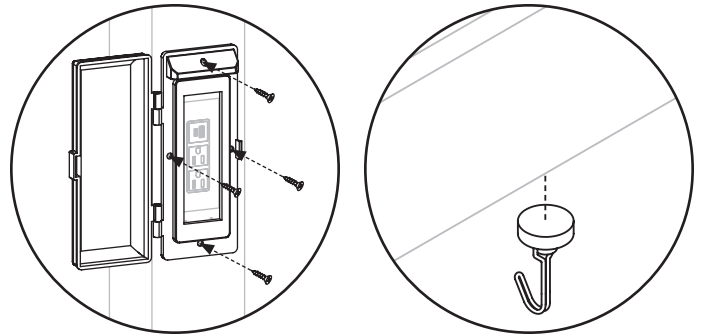
Slide the peg of one (1) foot cover [C] into the key hole of one (1) foot cover [C] for each post.



STEP 35 Use four (4) [EE] bolts to attach one (1) electrical power cover [R] to post 1 [A1]. (Note: M3 screwdriver is included)

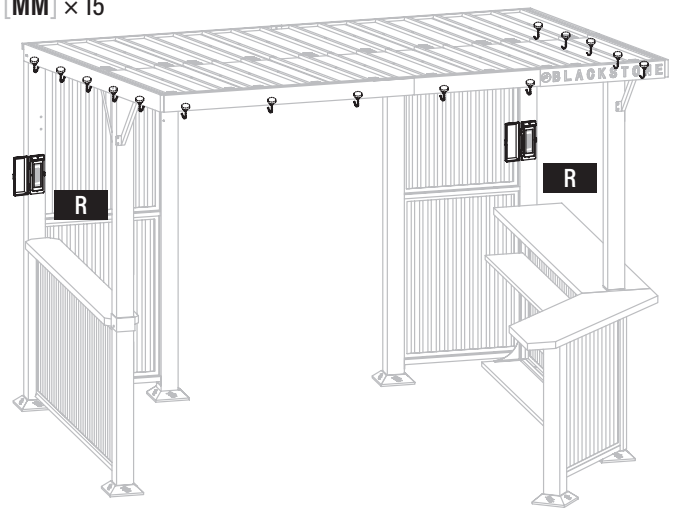
Use four (4) [EE] bolts to attach one (1) electrical power cover [R] to post 2 [A2].

Stick the magnetic hooks [MM] to the cross beams. (5 per side is recommended.)

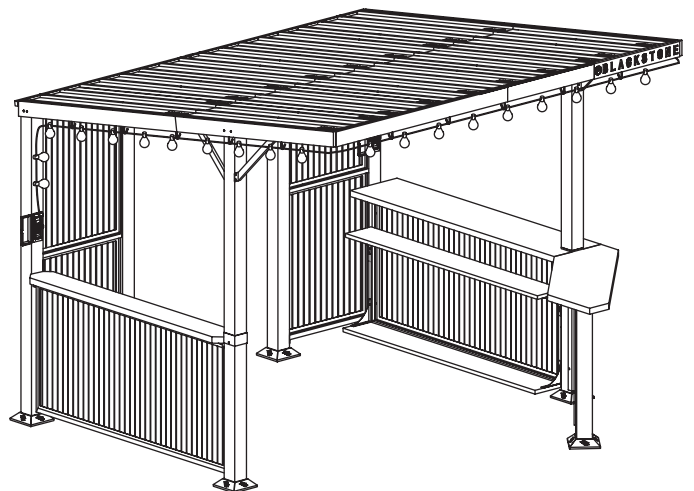


[EE] x 8

[MM] x 15



STEP 36 Proceed to the **OPERATION INSTRUCTIONS**.
(light string not included)





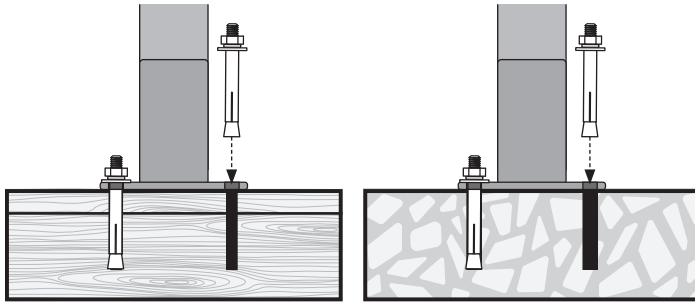
OPERATION INSTRUCTIONS

OUTDOOR STRUCTURE ANCHORING GUIDE

⚠ WARNING

If your **BLACKSTONE BAR & GRIDDLE** is not properly anchored, damage could occur.

It is highly recommended for maximum safety that you mount and secure to wood or concrete footers. This is far better and safer than using ground stakes.



WOOD

Anchors should be drilled into joists or reinforced blocking (not only deck boards).

CONCRETE

Use a 1/2" drill bit (not included) to pre-drill holes for concrete anchors.

If digging for foundation, please double check for possibility of any underground utilities such as gas, telephone, cable or sprinkler lines.

Refer to your local building and city codes, ordinances, neighborhood covenants, or height restrictions regarding this type of structure for guidance on acceptable installation requirements.

Consider consulting a licensed contractor for assistance in the anchoring of this product.

USING YOUR BLACKSTONE BAR & GRILL

The **BLACKSTONE BAR & GRIDDLE** is intended for privacy, decorative and ornamental use only.

Product is NOT INTENDED for the following:

- A safety barrier to prevent unsupervised access to pools, hot tubs, spas or ponds.
- As load bearing support for a building, structure, heavy objects or swings.
- Used in structures that trap wind, rain or snow that would create extra load on the product.

⚠ CAUTION

DO NOT climb or walk on roof for any reason.

WIND RATING

Beaufort scale 12 - Hurricane force winds (73 MPH)

The **BLACKSTONE BAR & GRIDDLE** should not be used in inclement weather and high winds.

SNOW LOAD CAPACITY

15.65 lbs/ ft²

Accumulated snow must be removed from roof.

CUSTOMER SUPPORT

CONTACT US

For all questions, inquiries, or customer support, please contact us at:

BLACKSTONE PRODUCTS USA

🌐 BlackstoneProducts.com/support

- Please contact us before returning this appliance to your retailer.
- Check BlackstoneProducts.com for hours and languages spoken.

BLACKSTONE PRODUCTS CANADA

🌐 BlackstoneGriddles.ca

EMAIL US AT:

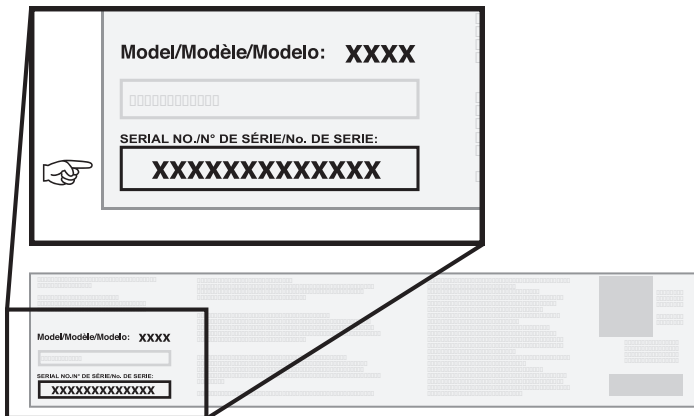
✉ specialty@blackstoneproducts.com

SERIAL NUMBER LOCATION

To enable your warranty, you will need to provide your appliance's Serial Number.

The Serial Number can be found on your appliance's Manufacturer Label.

(The Manufacturer Label is a large silver sticker found on the body of your appliance.)



📄 **FREE E-COOKBOOK WHEN YOU REGISTER**



THREE YEAR WARRANTY

North Atlantic Imports, LLC warrants this product against defects in materials and workmanship for a period of three (3) years from the original date of purchase under normal use. To the extent any such defects occur, North Atlantic Imports, LLC, in its discretion, will provide the appropriate replacement part(s) at no charge.

In no event shall North Atlantic Imports, LLC be liable for consequential, indirect or incidental damages resulting from the installation, use or failure of the product.

This warranty DOES NOT cover:

- Inspection costs or labor for replacement of any defective part(s);
- Cosmetic defects which DO NOT affect product performance or integrity;
- Normal wear and tear;
- Damage due to vandalism; acts of nature, including but not limited to wind, storms, hail, floods;
- Improper assembly, installation, or use;
- Discoloration or fading of the finish as a result of exposure to chemicals, spills, pool or salt water;
- Corrosion/ rust.

This product has been designed for safety and quality. Any modifications made to the original product could compromise its structural integrity or function and could lead to product failure or personal injury. As such, modifying this product voids all warranties.

This product is for RESIDENTIAL USE ONLY, and is not for commercial, contract or other non-residential purposes. North Atlantic Imports, LLC disclaims all other representations and warranties of any kind, express or implied.

The warranty applies to the original purchaser and is non-transferable. It does not apply to accessories or parts not supplied with the product, to purchases of display models, or to product that is sold on clearance or "as is". You may, however, have other specific legal rights based on the laws of your specific state or country of residence.

To activate your warranty, register your product at BlackstoneProducts.com/register

North Atlantic Imports, LLC reserves the right to change or modify this warranty at any time.

This product may be covered by one or more issued U.S. and/or international patents and may include patent applications pending.

For more information, please visit: BlackstoneProducts.com/patents

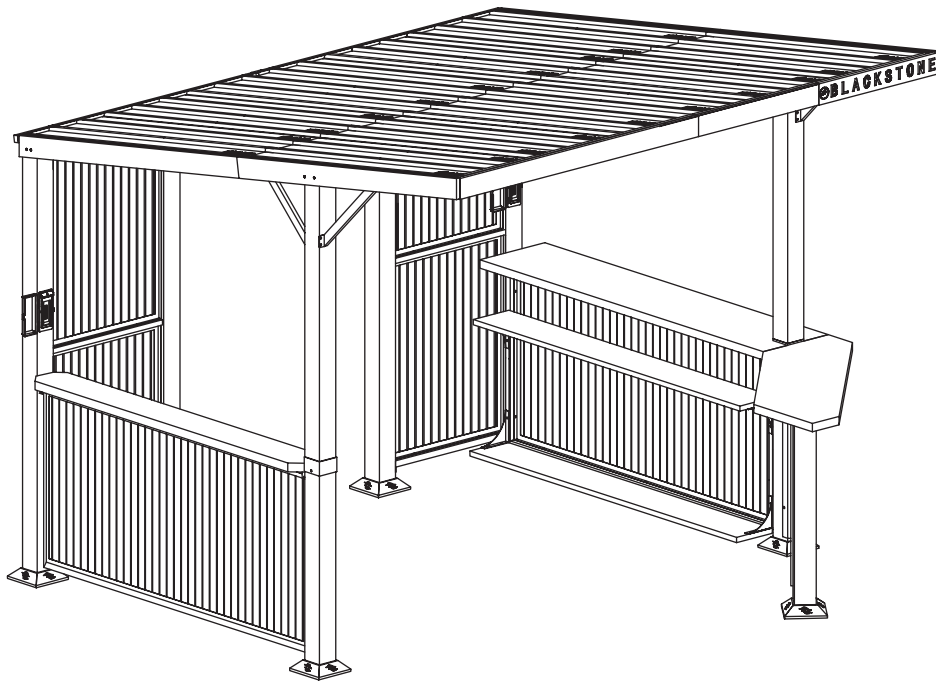
Blackstone is a registered trademark of North Atlantic Imports, LLC

©2025 North Atlantic Imports. All rights reserved.

Distributed by North Atlantic Imports, LLC 1073 W 1700 N Logan, UT 84321 USA



This page intentionally left blank



MANUEL DU PROPRIÉTAIRE

BAR & GRIDDLE 10' X 10'

TABLE DES MATIÈRES

GUIDE D'ASSEMBLAGE	02
INSTRUCTIONS D'UTILISATION	13
SERVICE CLIENT	14



Dernière version du manuel:
BlackstoneProducts.com/support

IMPORTANT:

Ce manuel d'instructions contient des informations importantes nécessaires au montage correct et à l'utilisation en toute sécurité de l'appareil.

Lisez et suivez tous les avertissements et instructions avant d'assembler et d'utiliser l'appareil.

Suivez tous les avertissements et instructions lors de l'utilisation de l'appareil.

Conservez ce manuel pour référence ultérieure.

Installateur/Assembleur : Laisser ces instructions au consommateur.

CLÉ D'ALERTE DE SÉCURITÉ

⚠ DANGER

Indique une situation dangereuse qui, si elle n'est pas évitée, entraînera la mort ou des blessures graves.

⚠ ATTENTION

Indique une situation dangereuse qui, si elle n'est pas évitée, pourrait entraîner des blessures mineures ou modérées.

⚠ AVERTISSEMENT

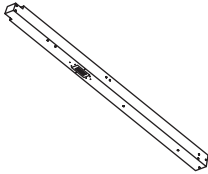
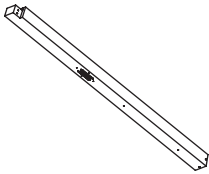
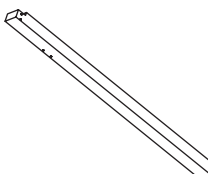
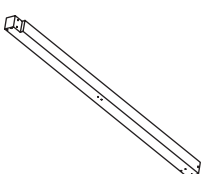
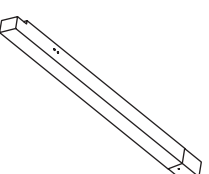
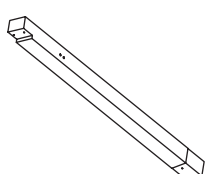
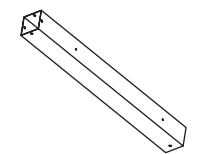
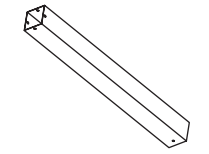
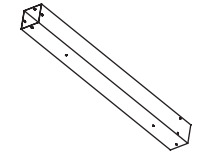
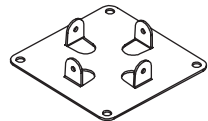

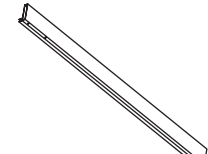
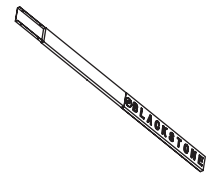
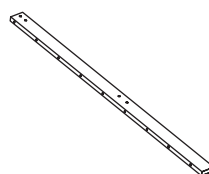
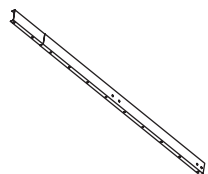
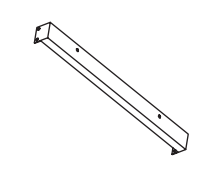
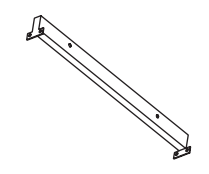
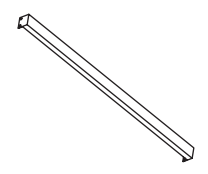
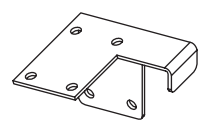
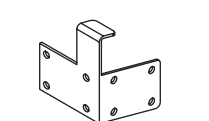
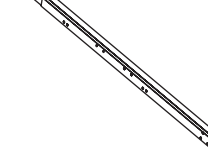
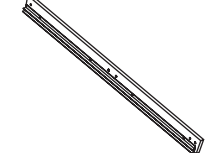
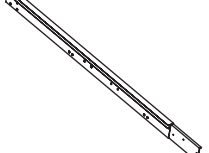
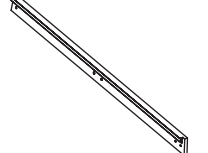
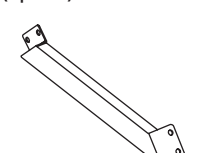
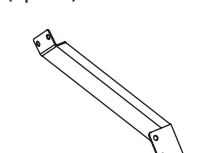
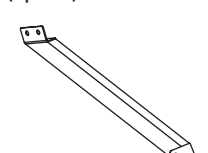
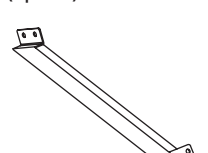
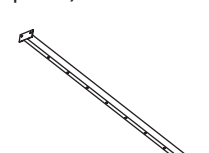
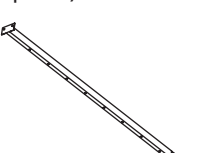
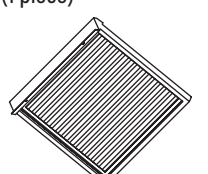
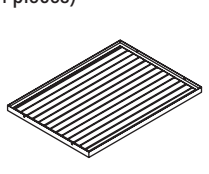
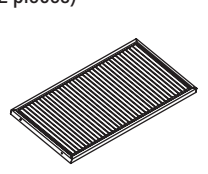
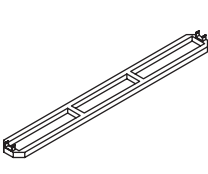
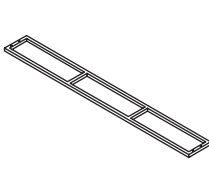
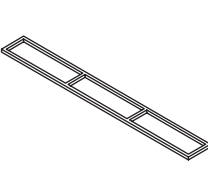
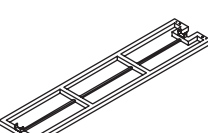
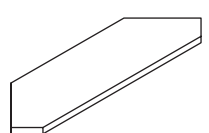
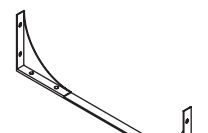
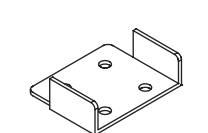
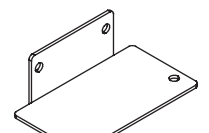
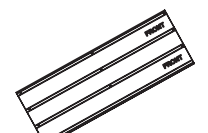
Indique une situation dangereuse qui, si elle n'est pas évitée, peut entraîner la mort ou des blessures graves.

AVIS

Indique des informations considérées comme importantes, mais non liées à un danger (par exemple, des messages liés à des dommages matériels).

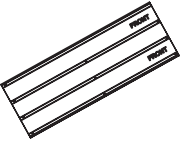
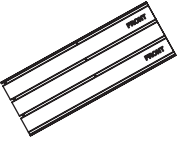
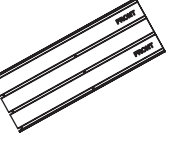
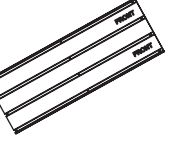
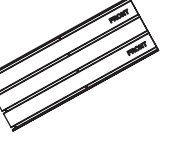
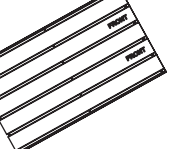
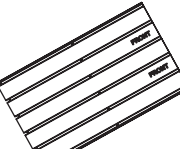


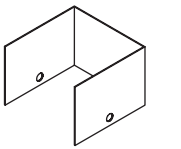

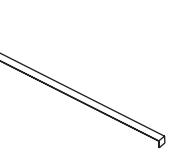
GUIDE D'ASSEMBLAGE

Liste des pièces

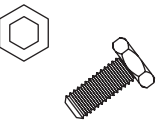
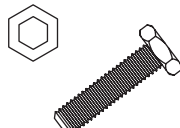
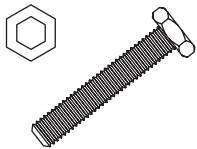
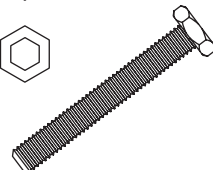
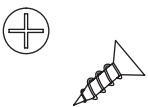
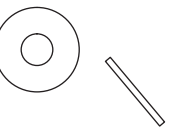
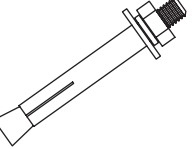
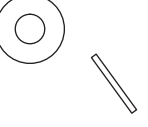
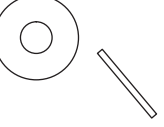
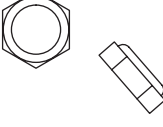

A1 Poteau 1 (1 pièce) 	A2 Poteau 2 (1 pièce) 	A3 Poteau 3 (1 pièce) 	A4 Poteau 4 (1 pièce) 	A5 Poteau 5 (1 pièce) 	A6 Poteau 6 (1 pièce) 
A7 Poteau 7 (1 pièce) 	A8 Poteau 8 (1 pièce) 	A9 Poteau 9 (1 pièce) 	B Base de pied (7 pièces) 	C Couvre-pied (14 pièces) 	D1 Traverse 1 (1 pièce) 
D2 Traverse 2 (1 pièce) 	D3 Traverse 3 (1 pièce) 	D4 Traverse 4 (1 pièce) 	D5 Traverse 5 (4 pièces) 	D6 Traverse 6 (2 pièces) 	D7 Traverse 7 (1 pièce) 
E1 Connecteur de traverse 1 (1 pièce) 	E2 Connecteur de traverse 2 (1 pièce) 	F1 Nervure de toit 1 (1 pièce) 	F2 Nervure de toit 2 (1 pièce) 	F3 Nervure de toit 3 (1 pièce) 	F4 Nervure de toit 4 (1 pièce) 
G1 Équerre de support 1 (1 pièce) 	G2 Équerre de support 2 (1 pièce) 	G3 Équerre de support 3 (1 pièce) 	G4 Équerre de support 4 (1 pièce) 	H1 Nervure de toit 1 (3 pièces) 	H2 Nervure de toit 2 (3 pièces) 
J1 Panneau latéral 1 (1 pièce) 	J2 Panneau latéral 2 (4 pièces) 	J3 Panneau latéral 3 (2 pièces) 	K1 Étagère 1 (1 pièce) 	K2 Étagère 2 (1 pièce) 	K3 Étagère 3 (1 pièce) 
K4 Étagère 4 (1 pièce) 	K5 Étagère 5 (1 pièce) 	L1 Support d'étagère 1 (2 pièces) 	L2 Support d'étagère 2 (2 pièces) 	L3 Support d'étagère 3 (1 pièce) 	M1 Panneau de toit 1 (1 pièce) 

FRANÇAIS

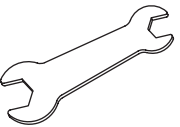
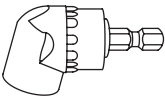
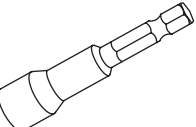
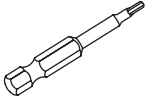
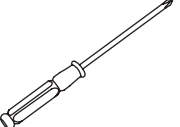


M2 Panneau de toit 2 (1 pièce) 	M3 Panneau de toit 3 (1 pièce) 	M4 Panneau de toit 4 (1 pièce) 	M5 Panneau de toit 5 2 (2 pièces) 	M6 Panneau de toit 6 2 (2 pièces) 	M7 Panneau de toit 7 (1 pièce) 
M8 Panneau de toit 8 (1 pièce) 	N1 Bordure de toit 1 (1 pièce) 	N2 Bordure de toit 2 (1 pièce) 	O Protecteur de poteau 1 (1 pièce) 	R Couverture d'alimentation électrique 2 (2 pièces) 	S Poteau de liaison de poutre transversale 1 (1 pièce) 

MATÉRIEL

AA Boulons M6×15 (172+10 pièces) 	BB Boulons M6×25 (8 pièces) 	CC Boulons M6×35 (85+5 pièces) 	DD Boulons M6×45 (10 pièces) 	EE Boulons M3×9 (8+1 pièces) 	FF Rondelle plate M6×16 (257+15 pièces) 
GG Cheville à béton M8×70 (28 pièces) 	HH Rondelle plate M6×14 (18+2 pièces) 	JJ Rondelle d'étanchéité (66+4 pièces) 	KK Bouchon en plastique (18+2 pièces) 	MM Crochet magnétique (15 pièces) 	

OUTILS INCLUS

Z1 Clé à fourche double (1 pièce) 	Z2 Adaptateur pour perceuse d'angle (1 pièce) 	Z3 Tournevis à douille hexagonale 10 mm × 65 mm (1 pièce) 	Z4 Foret hexagonal 4mm × 50mm (1 pièce) 	Z5 Tournevis M3 (1 pièce) 
--	--	--	---	--

Suivez tous les avertissements de sécurité fournis avec vos outils.

Un escabeau (non inclus) est requis pour le montage.
Vérifiez les composants par rapport à la liste des pièces et assurez-vous qu'il ne manque aucune pièce.
Étendez les pièces sur du carton ou un tapis doux pour aider à protéger les pièces des égratignures.

INSTRUCTIONS DE MONTAGE

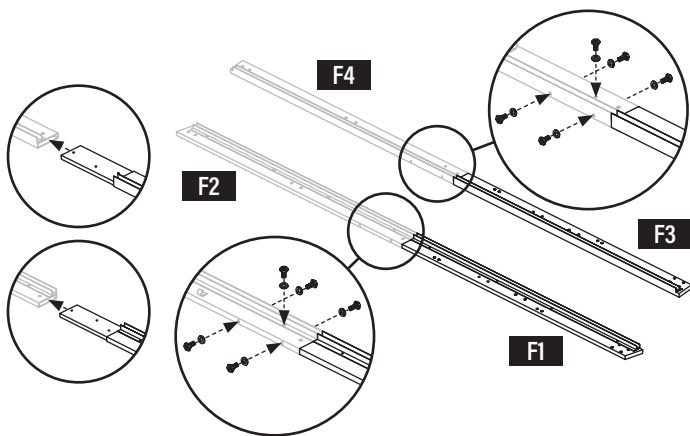
Trouvez une grande surface propre pour assembler votre appareil.
Retirez tous les matériaux d'emballage avant l'assemblage. (Il se peut que vous ayez du matériel supplémentaire ou de rechange après l'assemblage.)

⚠ ATTENTION

Bouts pointus. Portez des gants lors de l'assemblage.

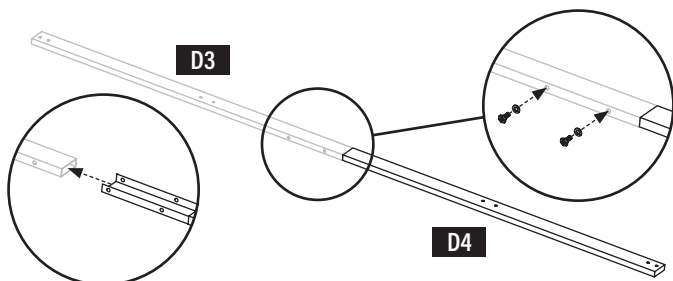
ÉTAPE 01 Utilisez cinq (5) boulons [AA] et cinq (5) rondelles plates [FF] pour fixer la nervure de toit 1 [F1] à la nervure de toit 2 [F2]. Utilisez cinq (5) boulons [AA] et cinq (5) rondelles [FF] pour fixer la nervure de toit 3 [F3] à la nervure de toit 4 [F4].

[AA] × 10
[FF] × 10



ÉTAPE 03 Utilisez deux (2) boulons [AA] et deux (2) rondelles plates [FF] pour fixer la traverse 4 [D4] à la traverse 3 [D3].

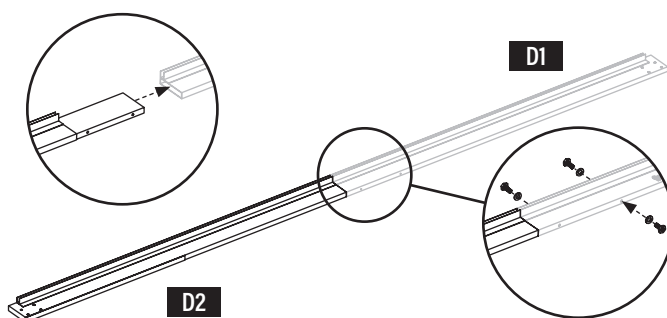
[AA] × 2
[FF] × 2



Pour faciliter l'assemblage, il est recommandé d'avoir 3 personnes ou plus et de prévoir suffisamment de temps pour terminer complètement l'assemblage. (L'assemblage peut prendre 6 à 8 heures.)
NE PAS serrer les vis tant que toutes les vis et rondelles ne sont pas correctement installées.

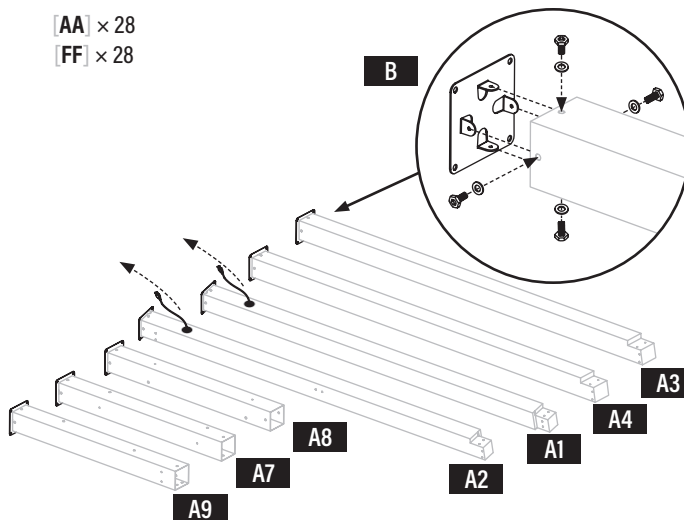
ÉTAPE 02 Utilisez trois (3) boulons [AA] et trois (3) rondelles plates [FF] pour fixer la traverse 2 [D2] à la traverse 1 [D1].

[AA] × 3
[FF] × 3



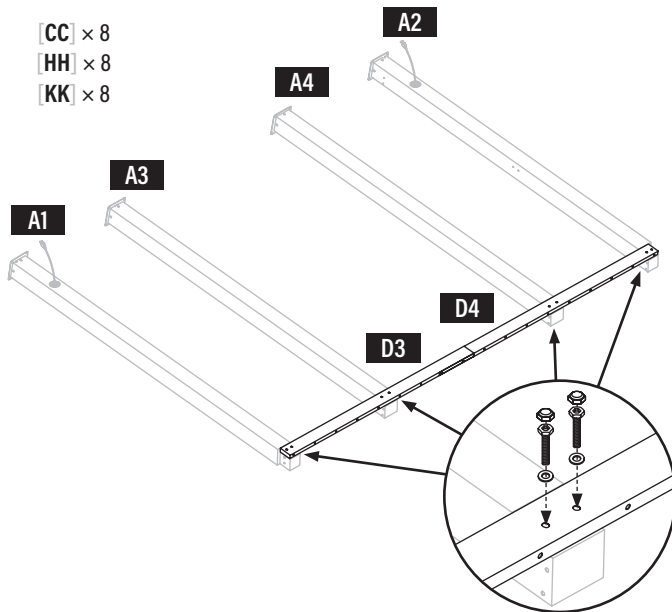
ÉTAPE 04 Tirez le cordon électrique à travers la prise sur les bornes [A1] et [A2]. Utilisez quatre (4) boulons [AA] et quatre (4) rondelles plates [FF] pour fixer une (1) base de pied [B] au poteau 3 [A3]. Répétez avec les poteaux [A1], [A2], [A4], [A7], [A8] et [A9].

[AA] × 28
[FF] × 28





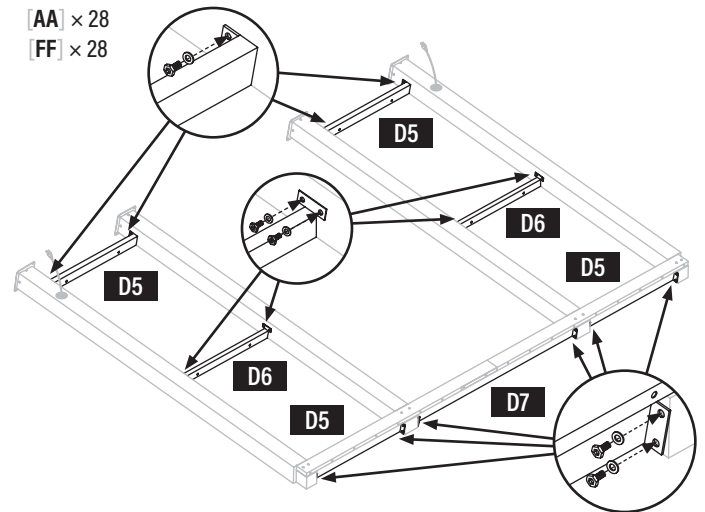
ÉTAPE 05 Utilisez huit (8) boulons [CC], huit (8) rondelles [HH] et huit (8) capuchons en plastique [KK] pour fixer l'ensemble de poutre transversale [D3] [D4] aux poteaux [A1], [A3], [A4] et [A2] avec les écrous en haut.



ÉTAPE 06 Utilisez huit (8) boulons [AA] et huit (8) rondelles plates [FF] pour fixer deux (2) poutres transversales [D5] au bas des assemblages de poteaux, avec les écrous rivetés orientés vers le bas.

Utilisez huit (8) boulons [AA] et huit (8) rondelles plates [FF] pour fixer deux (2) poutres transversales [D6] au milieu des assemblages de poteaux, avec les écrous rivetés orientés vers le bas.

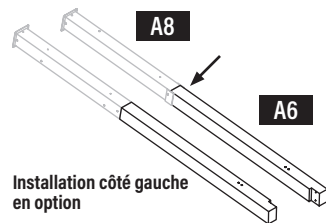
Utilisez douze (12) boulons [AA] et douze (12) rondelles plates [FF] pour fixer deux (2) traverses [D5] et la traverse [D7] au sommet des assemblages de poteaux.



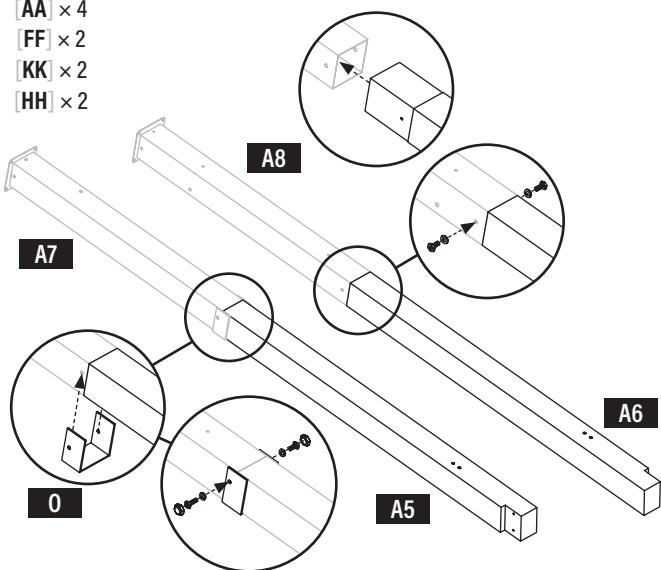
ÉTAPE 07 Utilisez deux (2) boulons [AA] et deux (2) rondelles plates [FF] pour fixer le poteau 6 [A6] au poteau 8 [A8].

Faites glisser le protecteur de poteau [O] sur les poteaux [A5] et [A7].

Utilisez deux (2) boulons [AA], deux (2) rondelles plates [HH] et deux (2) capuchons en plastique [KK] pour fixer le protecteur de poteau [O] aux poteaux [A5] et [A7].



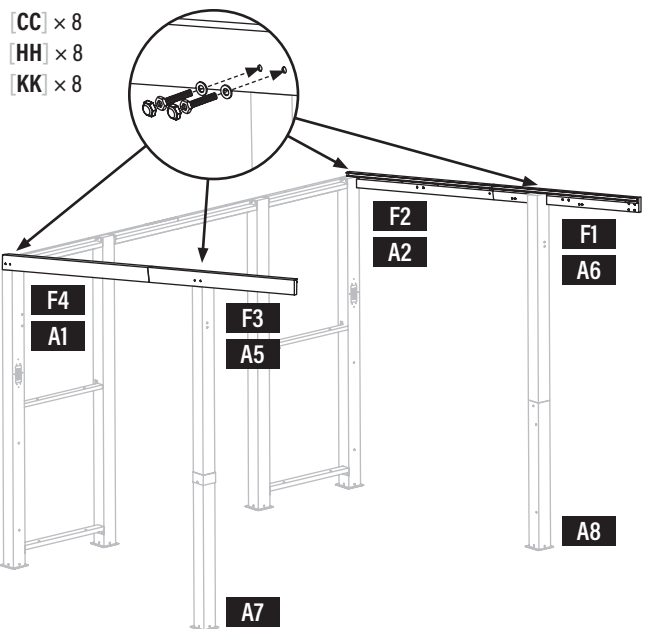
- [AA] x 4
- [FF] x 2
- [KK] x 2
- [HH] x 2



ÉTAPE 08 Utilisez deux (2) boulons [CC], deux (2) rondelles plates [HH] et deux (2) capuchons en plastique [KK] pour fixer la traverse [F4] au poteau [A1].

Utilisez deux (2) boulons [CC], deux (2) rondelles plates [HH] et deux (2) capuchons en plastique [KK] pour fixer la traverse [F3] au poteau [A5].

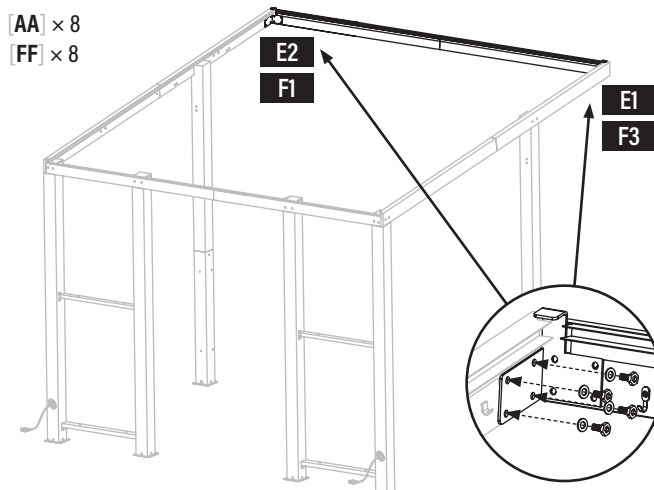
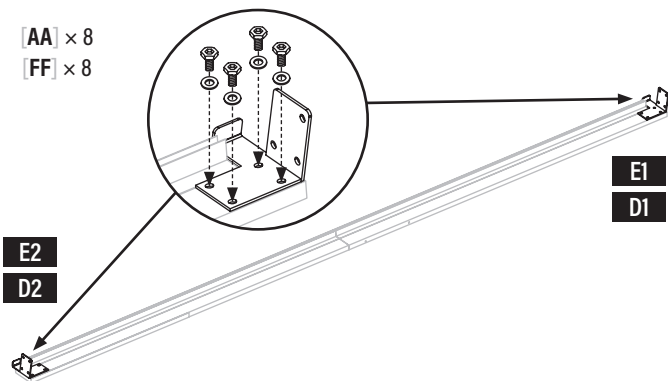
Utilisez deux (2) boulons [CC], deux (2) rondelles plates [HH] et deux (2) capuchons en plastique [KK] pour fixer la traverse [F2] au poteau [A2]. Utilisez deux (2) boulons [CC], deux (2) rondelles plates [HH] et deux (2) capuchons en plastique [KK] pour fixer la traverse [F1] au poteau [A6].



ÉTAPE 09 Utilisez quatre (4) boulons [AA] et quatre (4) rondelles plates [FF] pour fixer le connecteur de traverse 1 [E1] à la traverse [D1].
Utilisez quatre (4) boulons [AA] et quatre (4) rondelles plates [FF] pour fixer le connecteur de traverse 2 [E2] à la traverse [D2].

ÉTAPE 10 Utilisez quatre (4) boulons [AA] et quatre (4) rondelles plates [FF] pour fixer le connecteur de traverse [E2] à la traverse [F1].
Utilisez quatre (4) boulons [AA] et quatre (4) rondelles plates [FF] pour fixer le connecteur de traverse [E1] à la traverse [F3].

FRANÇAIS

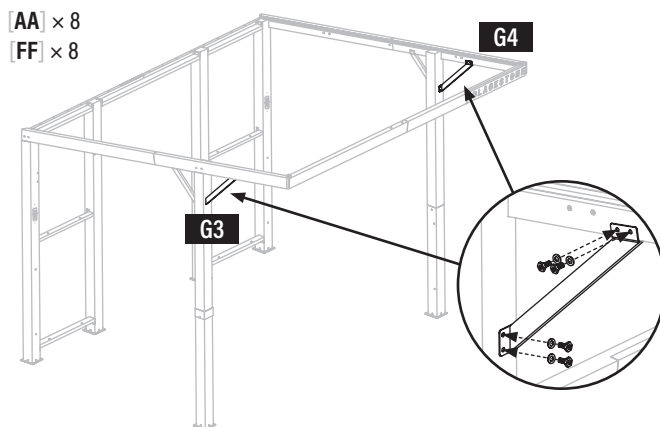
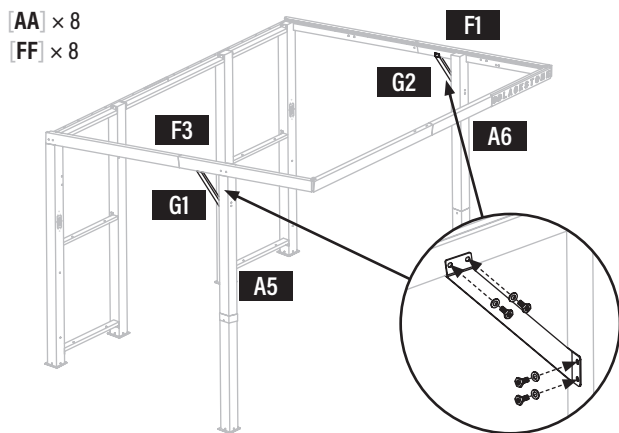


ÉTAPE 11 Utilisez quatre (4) boulons [AA] et quatre (4) rondelles plates [FF] pour fixer le support 1 [G1] à la traverse [F3] et au poteau [A5].
Utilisez quatre (4) boulons [AA] et quatre (4) rondelles plates [FF] pour fixer le support 1 [G2] à la traverse [F1] et au poteau [A6].

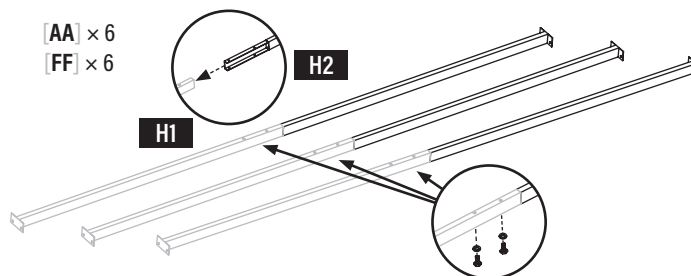
ÉTAPE 12 Remarque: Ne serrez pas complètement les boulons tant que tous les boulons et rondelles ne sont pas correctement installés.

Utilisez quatre (4) boulons [AA] et quatre (4) rondelles plates [FF] pour fixer le support 3 [G3] à la traverse [F3] et au poteau [A5].

Utilisez quatre (4) boulons [AA] et quatre (4) rondelles plates [FF] pour fixer le support 4 [G4] à la traverse [F1] et au poteau [A6].



ÉTAPE 13 Utilisez deux (2) boulons [AA] et deux (2) rondelles plates [FF] pour fixer une (1) nervure supérieure de toit 1 [H1] à une (1) nervure supérieure de toit 2 [H2].
Répétez avec les deux (2) autres nervures de toit [H1] et [H2].



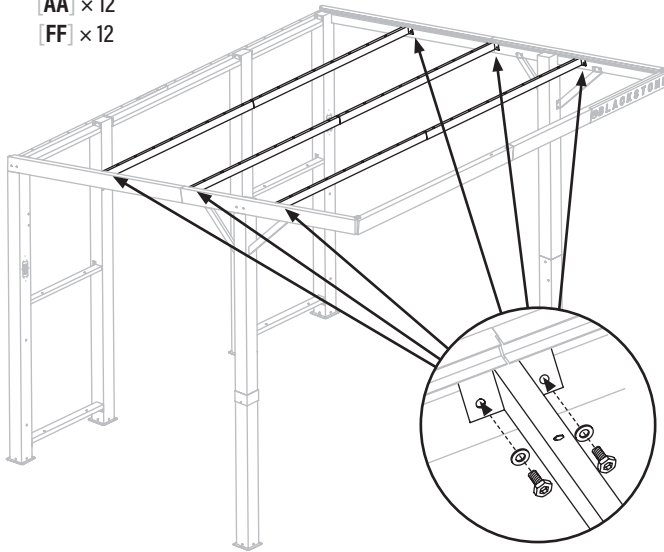


ÉTAPE 14 Utilisez quatre (4) boulons [AA] et quatre (4) rondelles plates [FF] pour fixer un (1) ensemble de nervure de toit aux ensembles de traverses gauche et droite.

Répétez avec les deux (2) autres ensembles de nervures de toit.

[AA] × 12

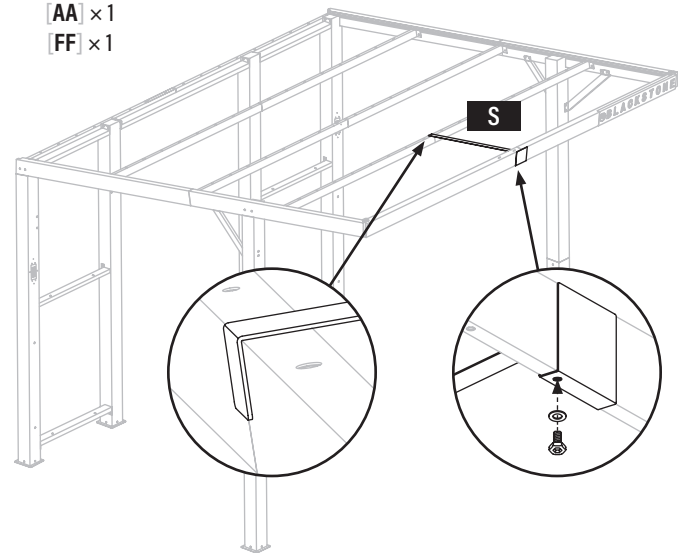
[FF] × 12



ÉTAPE 15 Utilisez un (1) boulon [AA] et une (4) rondelle plate [FF] pour fixer le poteau de connexion de la poutre transversale [S] aux connecteurs de poutre transversale [E1] et [E2].

[AA] × 1

[FF] × 4

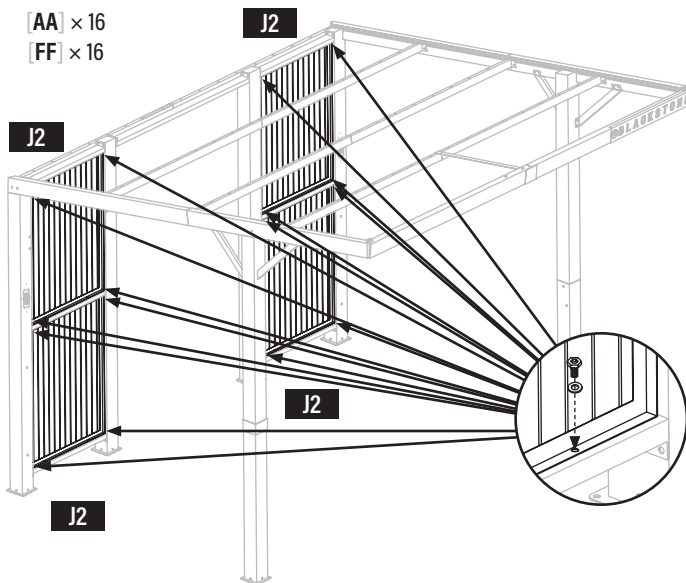


ÉTAPE 16 Utilisez quatre (4) boulons [AA] et quatre (4) rondelles plates [FF] pour fixer un (1) panneau latéral 2 [J2] aux ensembles de poutre transversale arrière.

Répétez avec les trois (3) autres panneaux latéraux [J2] et les assemblages de traverses arrière.

[AA] × 16

[FF] × 16

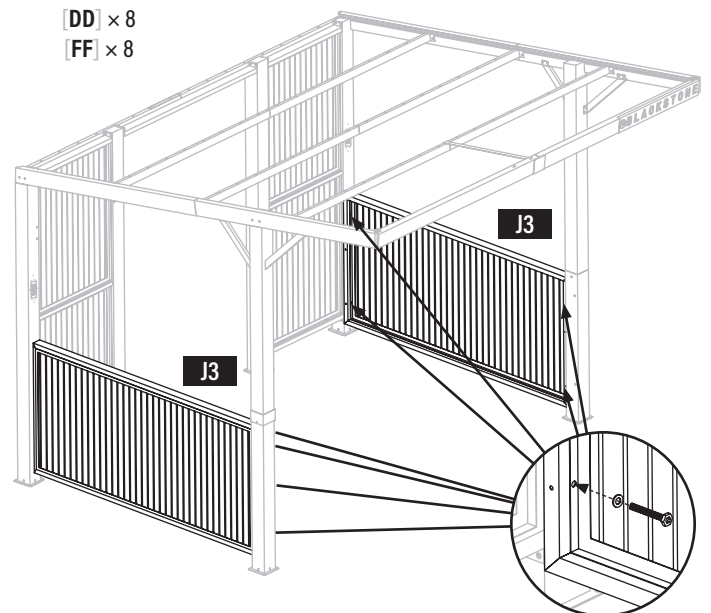


ÉTAPE 17 Utilisez quatre (4) boulons [DD] et quatre rondelles plates [FF] pour fixer un (1) panneau latéral 3 [J3] aux montants extérieurs.

Répétez avec l'autre panneau latéral [J3].

[DD] × 8

[FF] × 8

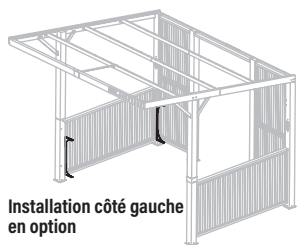


ÉTAPE 18 Remarque: Pour les étapes 17 à 25, l'assembleur peut choisir d'assembler les étagères et la table allongée sur le côté gauche ou droit du **BLACKSTONE BAR & GRIDDLE**.

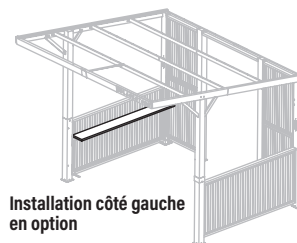
Remarque: Ne serrez pas complètement les boulons tant que **L'ÉTAPE 19** n'est pas terminée. Reportez-vous à l'étiquette **INTÉRIEUR** et **HAUT**.

Utilisez quatre (4) boulons **BB** et deux (2) rondelles plates **FF** pour fixer un (1) renfort d'étagère **L1** à votre panneau latéral préféré **J3**.

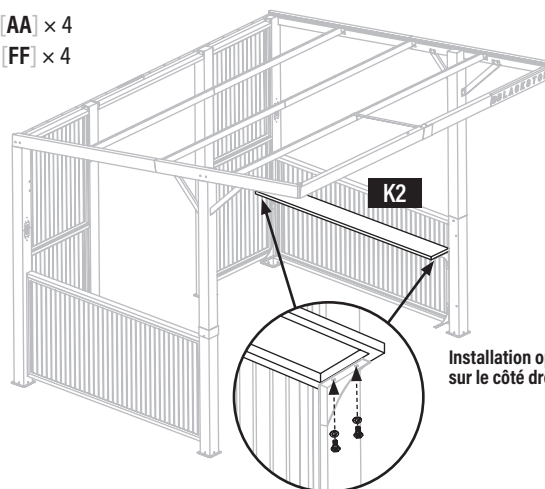
Répétez avec l'autre support d'étagère **L1**.



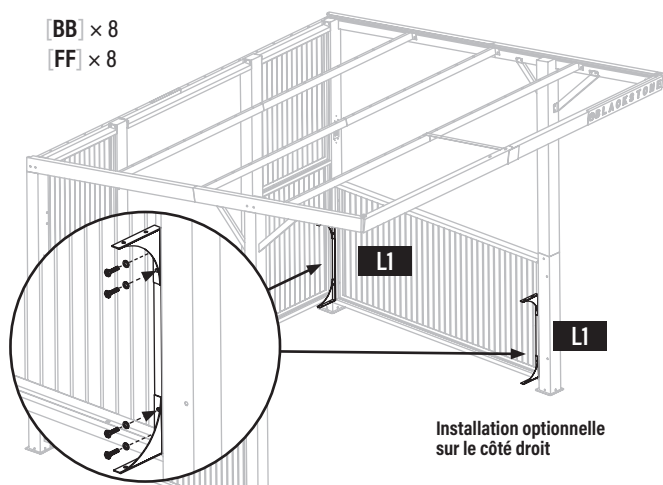
ÉTAPE 19 Utilisez quatre (4) boulons **AA** et quatre (4) rondelles plates **FF** pour fixer la tablette 2 **K2** aux renforts de tablette **L1**.



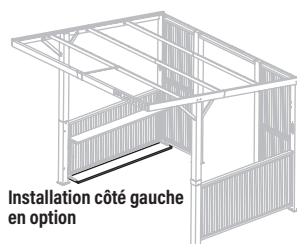
AA × 4
FF × 4



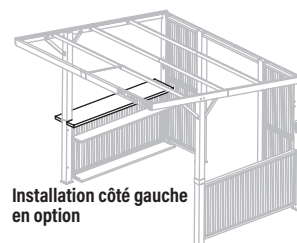
BB × 8
FF × 8



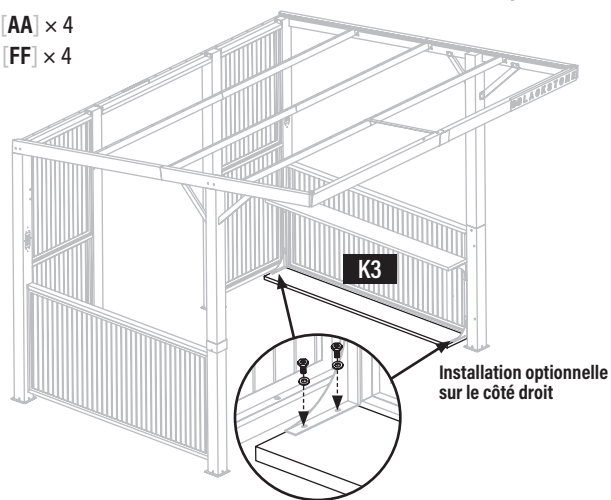
ÉTAPE 20 Utilisez quatre (4) boulons **AA** et quatre (4) rondelles plates **FF** pour fixer l'étagère 3 **K3** aux supports d'étagère **L1**.



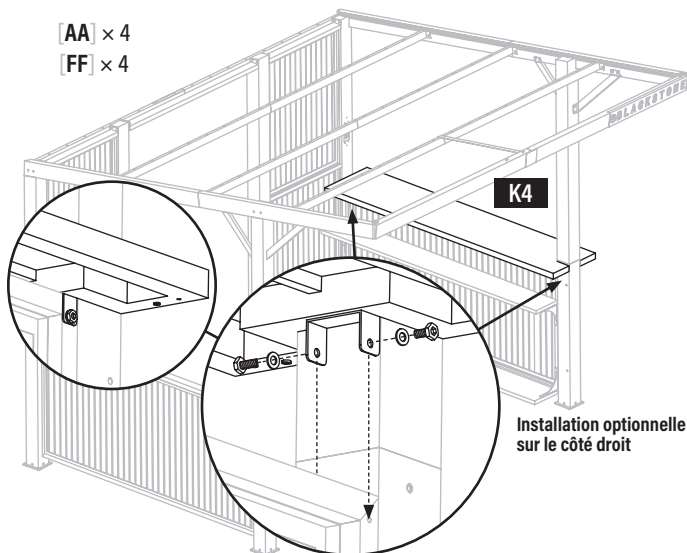
ÉTAPE 21 Utilisez quatre (4) boulons **AA** et quatre (4) rondelles plates **FF** pour fixer l'étagère 4 **K4** à votre panneau latéral préféré **J3**.



AA × 4
FF × 4

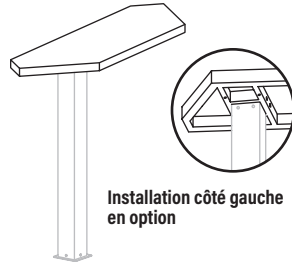


AA × 4
FF × 4



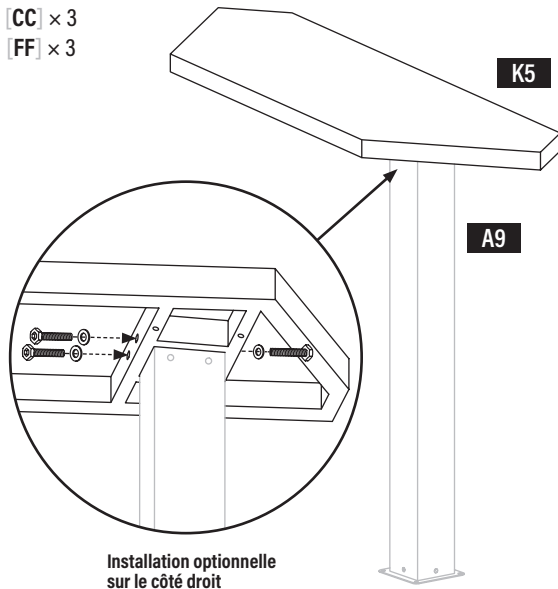


ÉTAPE 22 Remarque: Ne serrez pas complètement les boulons tant que tous les boulons et rondelles ne sont pas correctement installés. Utilisez trois (3) boulons **CC** et trois (3) rondelles plates **FF** pour fixer l'assemblage du montant 9 **A9** à la tablette latérale 5 **K5**.



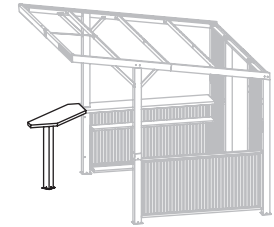
Installation côté gauche en option

CC × 3
FF × 3



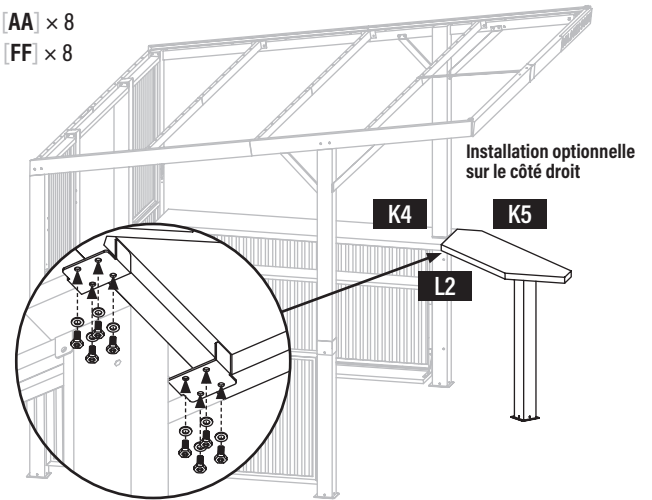
Installation optionnelle sur le côté droit

ÉTAPE 23 Remarque: Ne serrez pas complètement les boulons tant que tous les boulons et rondelles ne sont pas correctement installés. Utilisez huit (8) boulons **AA** et huit (8) rondelles plates **FF** pour fixer les deux (2) supports d'étagère **L2** et l'étagère **K5** à l'ensemble d'étagère **K4**.



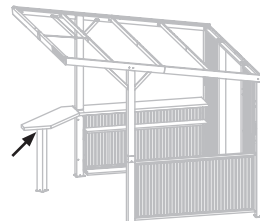
Installation côté gauche en option

AA × 8
FF × 8



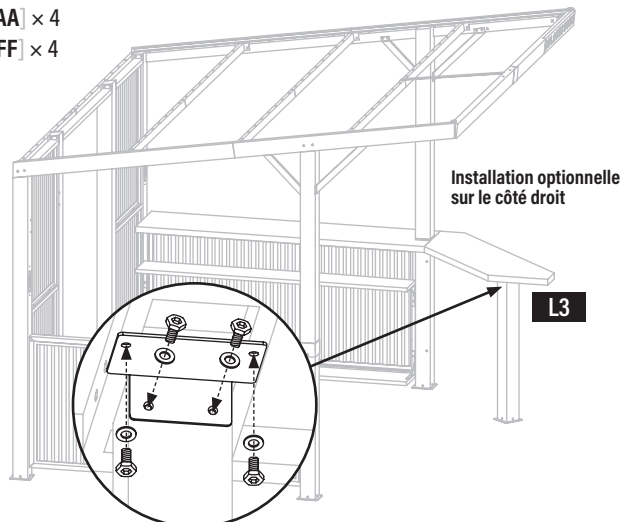
Installation optionnelle sur le côté droit

ÉTAPE 24 Utilisez quatre (4) boulons **AA** et quatre (4) rondelles plates **FF** pour fixer le renfort d'étagère 3 **L3** à l'ensemble d'étagère **K5**.



Installation côté gauche en option

AA × 4
FF × 4

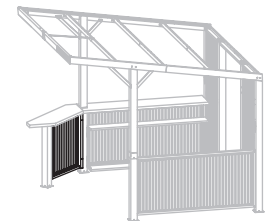


Installation optionnelle sur le côté droit

ÉTAPE 25 Remarque: Ne serrez pas complètement les boulons tant que tous les boulons et rondelles ne sont pas correctement installés.

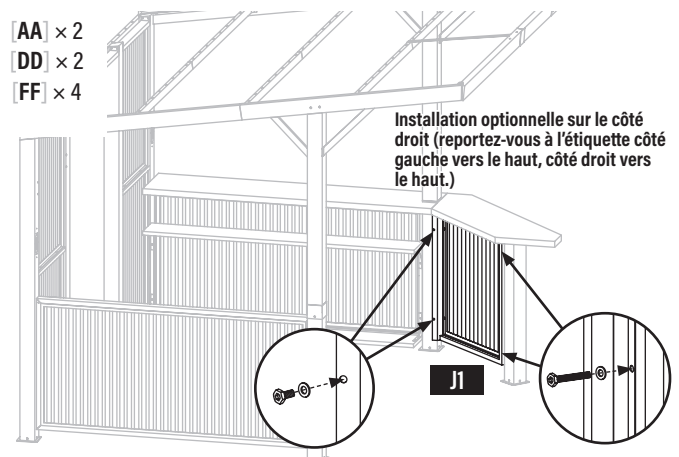
Utilisez deux (2) boulons **AA** et deux (2) rondelles plates **FF** pour fixer le panneau latéral 1 **J1** au montant 8 **A8**.

Utilisez deux (2) boulons **DD** et deux (2) rondelles plates **FF** pour fixer le panneau latéral 1 **J1** au montant 9 **A9**.



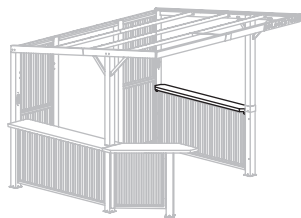
Installation optionnelle sur le côté gauche (reportez-vous à l'étiquette côté gauche vers le haut, côté droit vers le haut.)

AA × 2
DD × 2
FF × 4



Installation optionnelle sur le côté droit (reportez-vous à l'étiquette côté gauche vers le haut, côté droit vers le haut.)

ÉTAPE 26 Utilisez quatre (4) boulons [AA] et quatre (4) rondelles plates [FF] pour fixer l'étagère 1 [K1] à l'autre panneau latéral [J3].

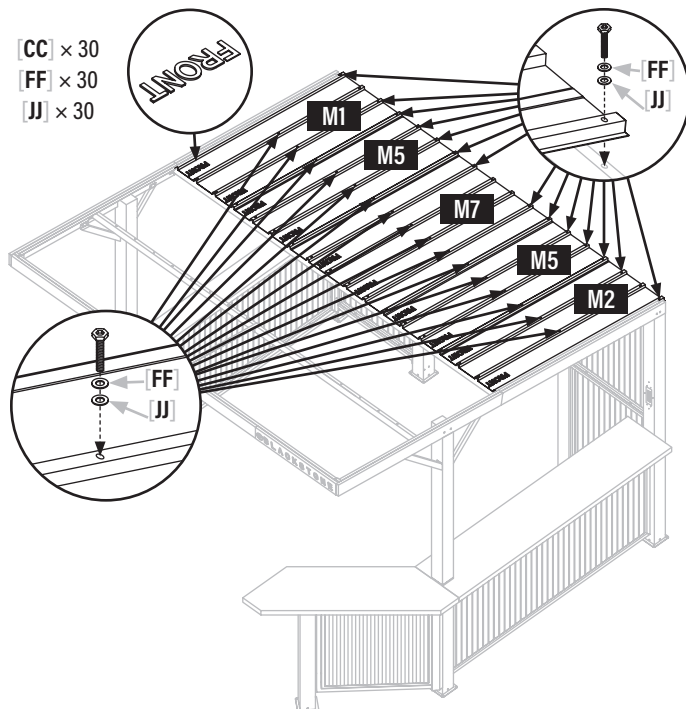


Installation côté gauche en option

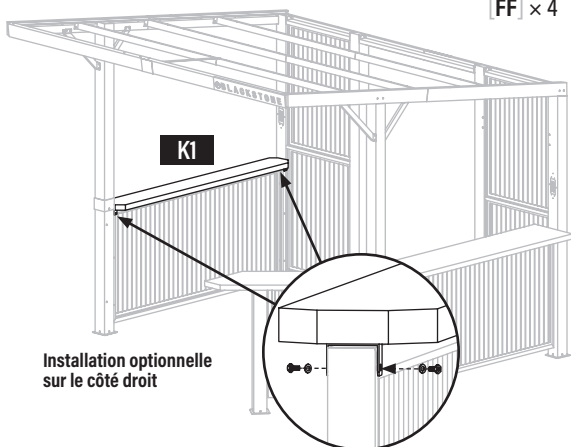
ÉTAPE 27 **Remarque:** Ne serrez pas complètement les boulons tant que tous les boulons et rondelles ne sont pas correctement installés.

Utilisez quatorze (14) boulons [CC], quatorze (14) rondelles plates [FF] et quatorze (14) rondelles d'étanchéité [JJ] pour fixer les panneaux de toit [M1], [M2], [M5] et [M7] pour croiser les poutres [D3] et [D4].

Utilisez seize (16) boulons [CC], quatorze (14) rondelles plates [FF] et seize (16) rondelles d'étanchéité [JJ] pour fixer les panneaux de toit [M1], [M2], [M5] et [M7] aux nervures du toit [H1] et [H2].



[AA] x 4
[FF] x 4



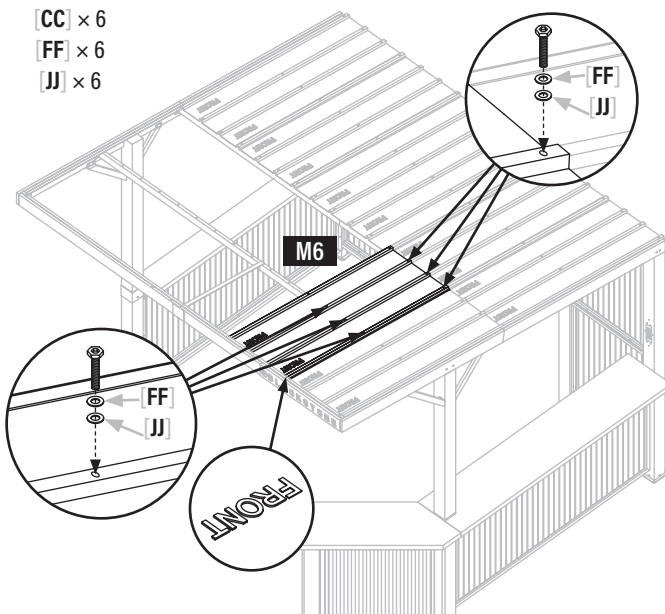
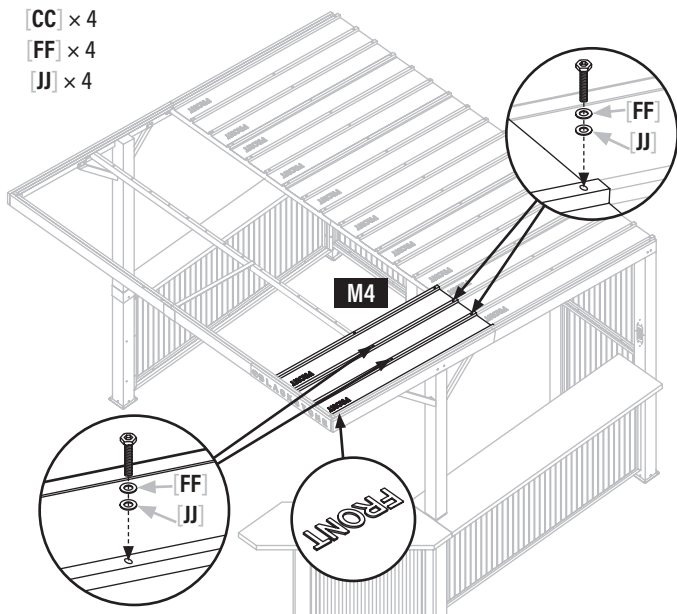
Installation optionnelle sur le côté droit

ÉTAPE 28 Utilisez quatre (4) boulons [CC], quatre (4) rondelles plates [FF] et quatre (4) rondelles d'étanchéité [JJ] pour fixer le panneau de toit [M4] aux nervures supérieures du toit.

ÉTAPE 29 Utilisez six (6) boulons [CC], six (6) rondelles plates [FF] et six (6) rondelles d'étanchéité [JJ] pour fixer un (1) panneau de toit [M6] aux nervures supérieures du toit.

[CC] x 4
[FF] x 4
[JJ] x 4

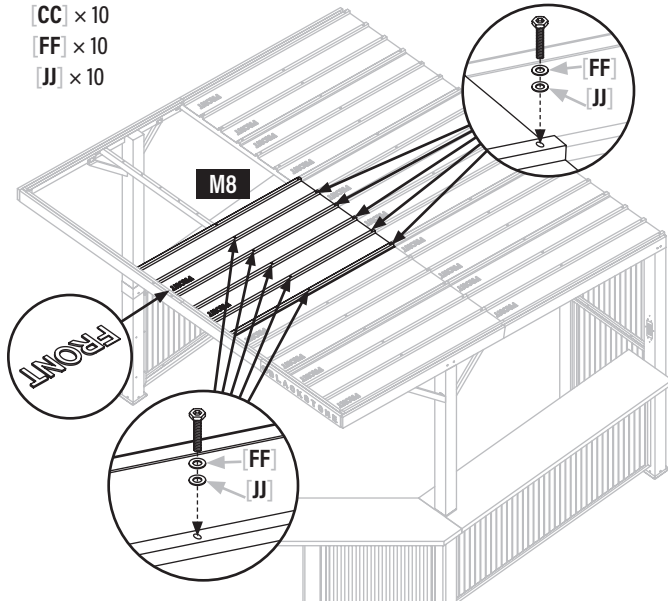
[CC] x 6
[FF] x 6
[JJ] x 6





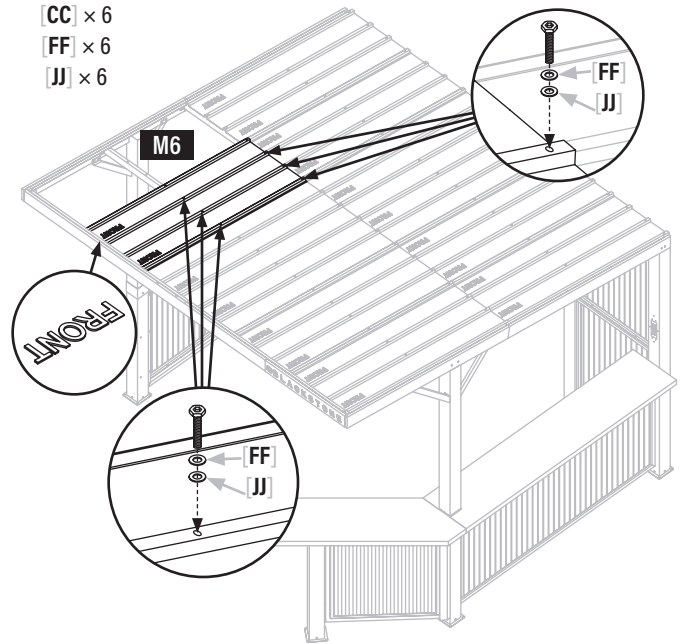
ÉTAPE 30 Utilisez dix (10) boulons [CC], dix (10) rondelles plates [FF] et dix (10) rondelles d'étanchéité [JJ] pour fixer le panneau de toit 8 [M8] aux nervures supérieures du toit.

- [CC] × 10
- [FF] × 10
- [JJ] × 10



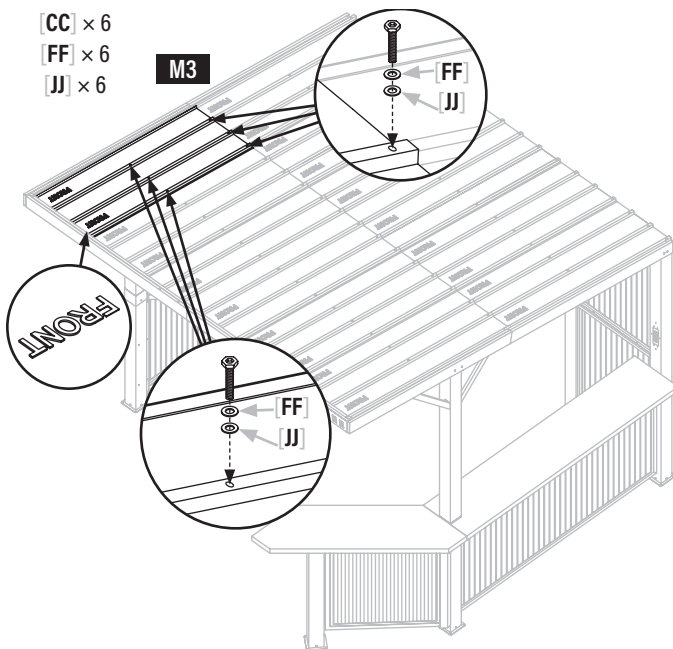
ÉTAPE 31 Utilisez six (6) boulons [CC], six (6) rondelles plates [FF] et six (6) rondelles d'étanchéité [JJ] pour fixer un (1) panneau de toit 6 [M6] aux nervures supérieures du toit.

- [CC] × 6
- [FF] × 6
- [JJ] × 6



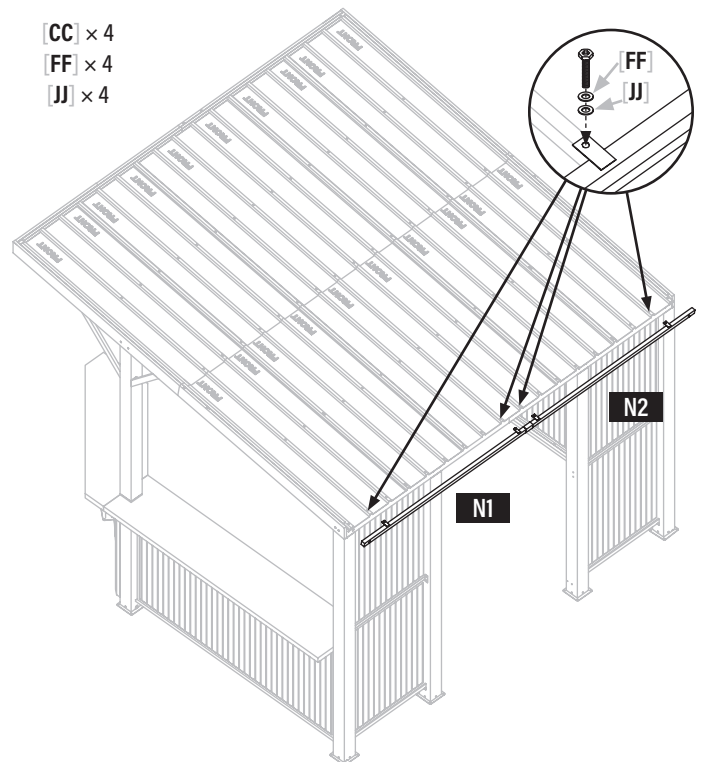
ÉTAPE 32 Utilisez six (6) boulons [CC], six (6) rondelles plates [FF] et six (6) rondelles d'étanchéité [JJ] pour fixer le panneau de toit 3 [M3] aux nervures du toit.

- [CC] × 6
- [FF] × 6
- [JJ] × 6



ÉTAPE 33 Utilisez quatre (4) boulons [CC] et quatre (4) rondelles plates [FF] pour fixer les bordures de toit [N1] et [N2] au sommet des panneaux de toit.

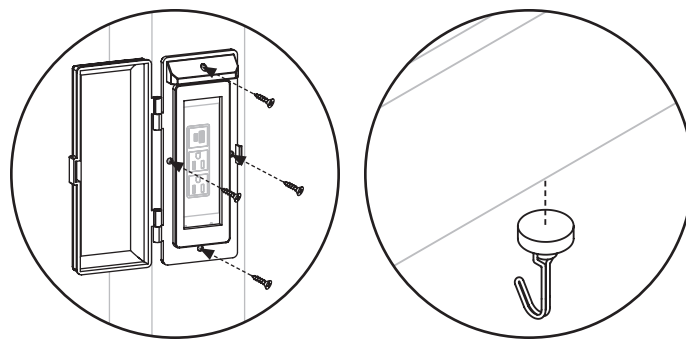
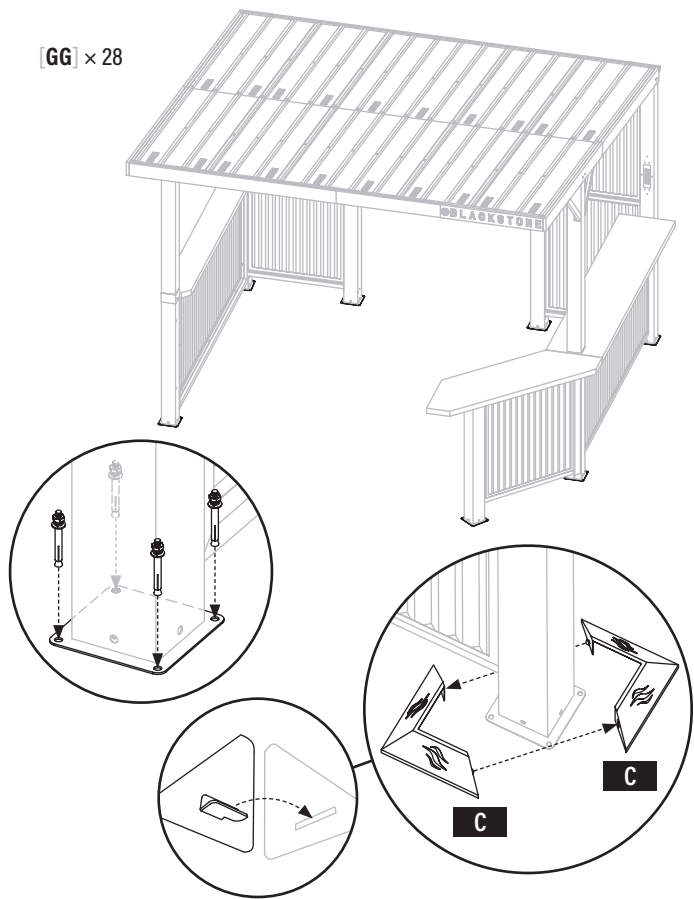
- [CC] × 4
- [FF] × 4
- [JJ] × 4



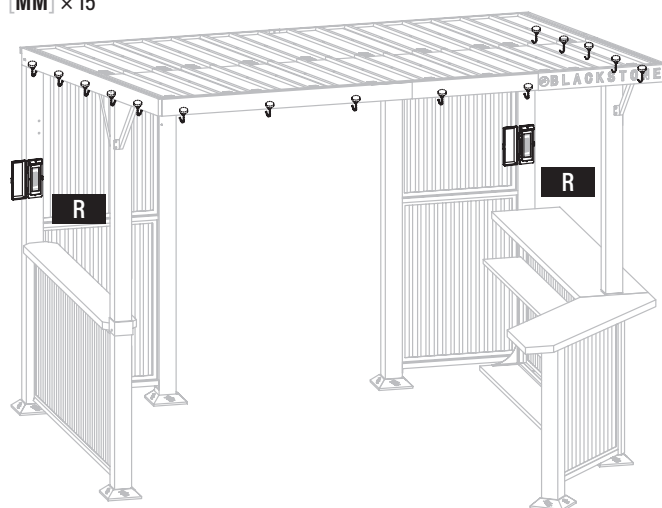
ÉTAPE 34 Utilisez quatre (4) boulons à expansion [GG] pour ancrer chaque base de pied de poteau [B].
Faites glisser la cheville d'un (1) couvre-pied [C] dans le trou de serrure d'un (1) couvre-pied [C] pour chaque poteau.

ÉTAPE 35 Utilisez quatre (4) boulons [EE] pour fixer un (1) couvercle d'alimentation électrique [R] au poteau 1 [A1]. (Remarque: un tournevis M3 est inclus)
Utilisez quatre (4) boulons [EE] pour fixer un (1) couvercle d'alimentation électrique [R] à la borne 2 [A2].
Collez les crochets magnétiques [MM] sur les traverses. (5 par côté est recommandé.)

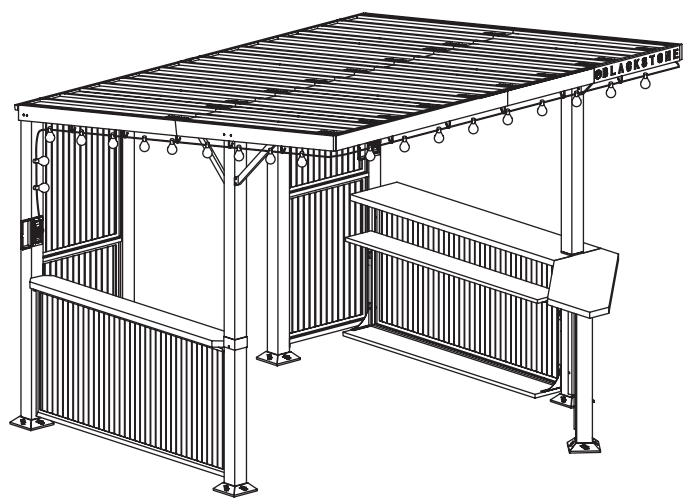
FRANÇAIS



[EE] × 8
[MM] × 15



ÉTAPE 36 Passez aux **INSTRUCTIONS D'UTILISATION**.
(guirlande lumineuse non incluse)



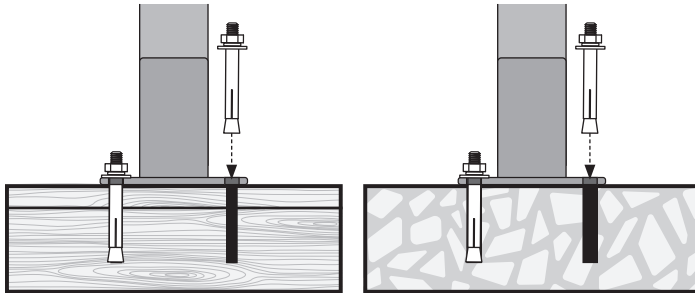


INSTRUCTIONS D'UTILISATION

GUIDE D'ANCRAGE DE STRUCTURE EXTÉRIEURE

⚠ AVERTISSEMENT

Si votre **BLACKSTONE BAR & GRIDDLE** n'est pas correctement ancré, des dommages pourraient survenir. Il est fortement recommandé, pour une sécurité maximale, de monter et de fixer sur des semelles en bois ou en béton. C'est bien mieux et plus sûr que d'utiliser des piquets au sol.



BOIS

Les ancrages doivent être percés dans les solives ou les blocs renforcés (pas seulement les planches de terrasse).

BÉTON

Utilisez un foret de 1/2" (non inclus) pour pré-percer des trous pour les ancrages en béton.

Si vous creusez pour les fondations, veuillez vérifier la possibilité d'installations souterraines telles que des lignes de gaz, de téléphone, de câble ou de gicleurs.

Reportez-vous aux codes locaux du bâtiment et de la ville, aux ordonnances, aux conventions de voisinage ou aux restrictions de hauteur concernant ce type de structure pour obtenir des conseils sur les exigences d'installation acceptables.

Envisagez de consulter un entrepreneur agréé pour obtenir de l'aide pour l'ancrage de ce produit.

UTILISATION DE VOTRE BLACKSTONE BAR & GRIDDLE

Le **BLACKSTONE BAR & GRIDDLE** est destiné à un usage privé, décoratif et ornemental uniquement.

Le produit n'est PAS DESTINÉ pour les éléments suivants:

- Une barrière de sécurité pour empêcher l'accès non surveillé aux piscines, bains à remous, spas ou étangs.
- Comme support de charge pour un bâtiment, une structure, des objets lourds ou des balançoires.
- Utilisé dans les structures qui emprisonnent le vent, la pluie ou la neige qui créeraient une charge supplémentaire sur le produit.

⚠ ATTENTION

NE PAS grimper ou marcher sur le toit pour quelque raison que ce soit.

COTE DE VENT

Échelle de Beaufort 12 – Des vents d'ouragan (73 MPH)

Le **BLACKSTONE BAR & GRIDDLE** ne doit pas être utilisé par mauvais temps et par vent fort.

CAPACITÉ DE CHARGE DE NEIGE

15.65 lbs/ pi²

La neige accumulée doit être enlevée du toit.

SERVICE CLIENT

CONTACTEZ-NOUS

Pour toutes questions, demandes de renseignements ou assistance client, veuillez nous contacter à l'adresse suivante:

ÉTATS-UNIS DES BLACKSTONE PRODUCTS

BlackstoneProducts.com/support

- Veuillez nous contacter avant de retourner cet appareil à votre revendeur.
- Consultez BlackstoneProducts.com pour connaître les horaires et les langues parlées.

CANADA DES BLACKSTONE PRODUCTS

BlackstoneGriddles.ca

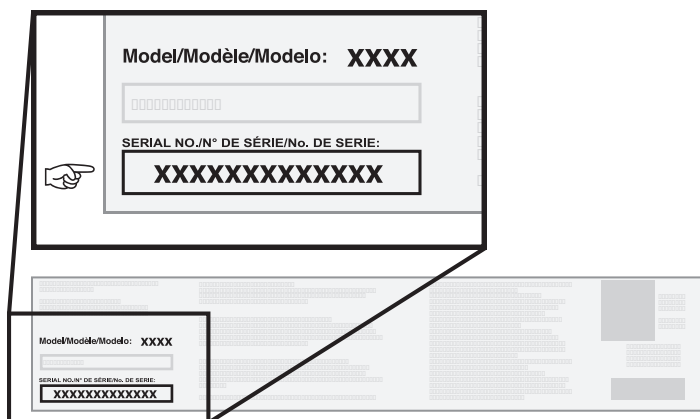
ENVOYEZ-NOUS UN E-MAIL À:

specialty@blackstoneproducts.com

EMPLACEMENT DU NUMÉRO DE SÉRIE

Pour activer votre garantie, vous devrez fournir le numéro de série de votre appareil.

Le numéro de série se trouve sur l'étiquette du fabricant de votre appareil. (L'étiquette du fabricant est un grand autocollant argenté apposé sur le corps de votre appareil.)



**LIVRE DE RECETTES ÉLECTRONIQUE GRATUIT
LORS DE VOTRE INSCRIPTION**

GARANTIE DE TROIS ANS

North Atlantic Imports, LLC garantit ce produit contre les défauts de matériaux et de fabrication pendant une période de trois (3) ans à compter de la date d'achat originale dans des conditions normales d'utilisation. Dans la mesure où de tels défauts se produisent, North Atlantic Imports, LLC, à sa discrétion, fournira gratuitement la ou les pièces de remplacement appropriées.

En aucun cas North Atlantic Imports, LLC ne sera responsable des dommages consécutifs, indirects ou accessoires résultant de l'installation, de l'utilisation ou de la défaillance du produit.

Cette garantie NE couvre PAS:

- Frais d'inspection ou de main d'œuvre pour le remplacement de toute pièce défectueuse;
- Défauts cosmétiques qui n'affectent pas les performances ou l'intégrité du produit;
- L'usure normale;
- Dommages dus au vandalisme ; les catastrophes naturelles, y compris, mais sans s'y limiter, le vent, les tempêtes, la grêle et les inondations;
- Un assemblage, une installation ou une utilisation inappropriés;
- Décoloration ou décoloration de la finition résultant d'une exposition à des produits chimiques, à des déversements, à l'eau de piscine ou à l'eau salée;
- Corrosion/rouille.

Ce produit a été conçu pour la sécurité et la qualité. Toute modification apportée au produit d'origine pourrait compromettre son intégrité structurelle ou sa fonction et entraîner une défaillance du produit ou des blessures. En tant que tel, la modification de ce produit annule toutes les garanties.

Ce produit est destiné à un USAGE RÉSIDENTIEL UNIQUEMENT et n'est pas destiné à des fins commerciales, contractuelles ou autres fins non résidentielles. North Atlantic Imports, LLC décline toute autre représentation et garantie de quelque nature que ce soit, expresse ou implicite.

La garantie s'applique à l'acheteur d'origine et n'est pas transférable. Elle ne s'applique pas aux accessoires ou pièces non fournis avec le produit, aux achats de modèles d'exposition ou aux produits vendus en liquidation ou « tels quels ». Vous pouvez cependant bénéficier d'autres droits légaux spécifiques basés sur les lois de votre état ou pays de résidence.

Pour activer votre garantie, enregistrez votre produit sur BlackstoneProducts.com/register

North Atlantic Imports, LLC se réserve le droit de changer ou de modifier cette garantie à tout moment.

Ce produit peut être couvert par un ou plusieurs brevets américains et/ou internationaux délivrés et peut inclure des demandes de brevet en instance.

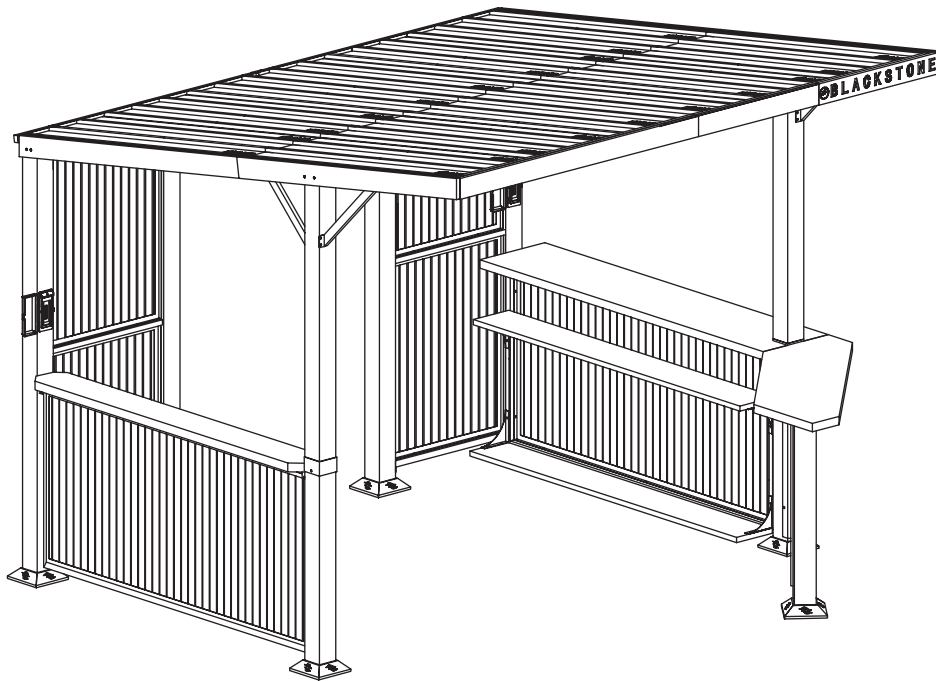
Pour plus d'informations, rendez-vous sur: BlackstoneProducts.com/patents
Blackstone est une marque déposée de North Atlantic Imports, LLC

©2025 North Atlantic Imports. Tous droits réservés.

Distribué par North Atlantic Imports, LLC 1073 W 1700 N Logan, UT 84321 USA



Cette page a été intentionnellement laissée vierge



MANUAL DEL PROPIETARIO

BAR & GRIDDLE DE 10' X 10'

TABLA DE CONTENIDO

GUÍA DE MONTAJE.....	02
INSTRUCCIONES DE OPERACIÓN	13
ATENCIÓN AL CLIENTE.....	14



Última versión del manual:
BlackstoneProducts.com/support

IMPORTANTE:

Este manual de instrucciones contiene información importante necesaria para el correcto montaje y uso seguro del aparato.

Lea y siga todas las advertencias e instrucciones antes de ensamblar y usar el aparato.

Siga todas las advertencias e instrucciones cuando utilice el aparato.

Guarde este manual para referencia futura.

Instalador/Ensamblador: Deje estas instrucciones con el consumidor.

CLAVE DE ALERTA DE SEGURIDAD

⚠ PELIGRO

Indica una situación peligrosa que, si NO SE evita, provocará la muerte o lesiones graves.

⚠ ATENCIÓN

Indica una situación peligrosa que, si NO SE evita, podría provocar lesiones leves o moderadas.

⚠ ADVERTENCIA

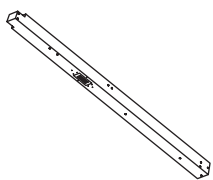
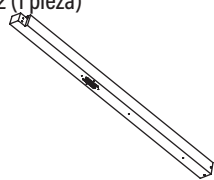
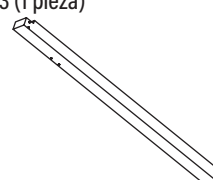
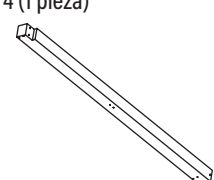
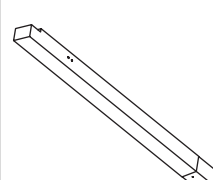
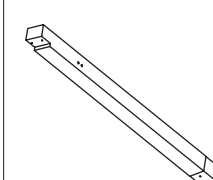
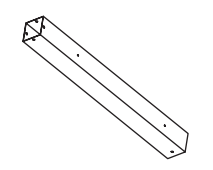
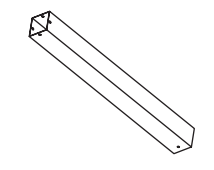
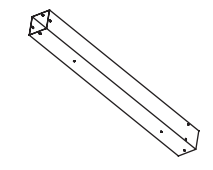
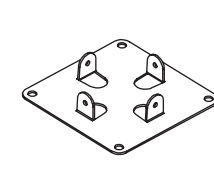
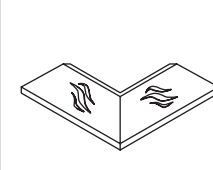
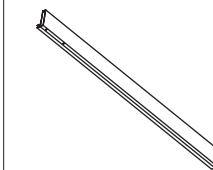
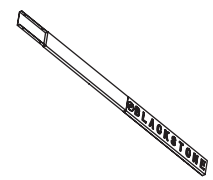
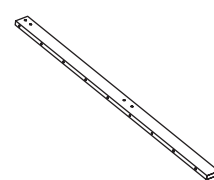
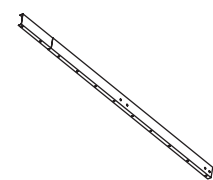
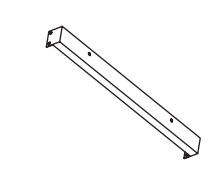
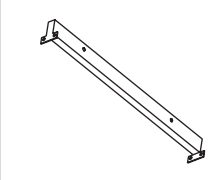
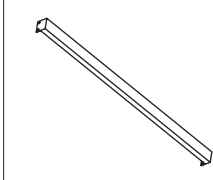
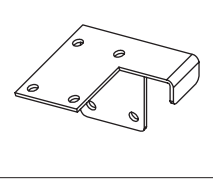
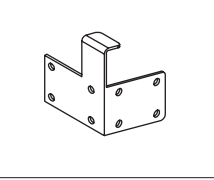
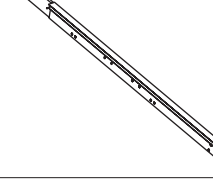
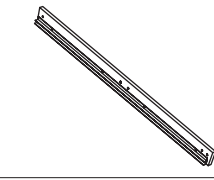
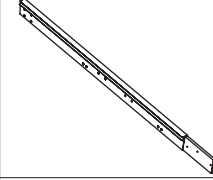
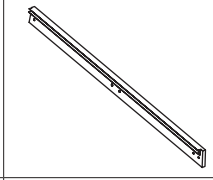
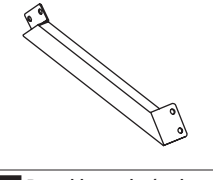
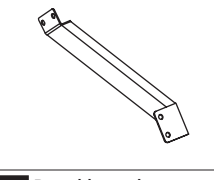
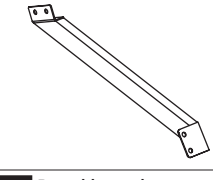
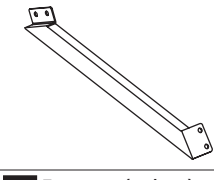
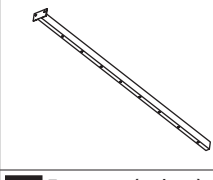
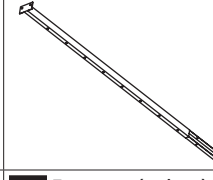
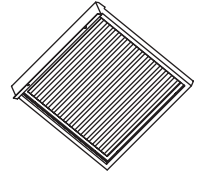
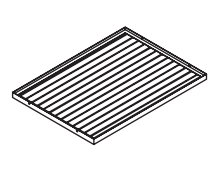
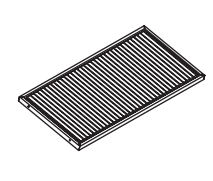
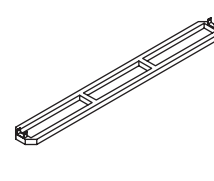
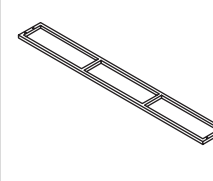
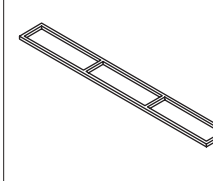
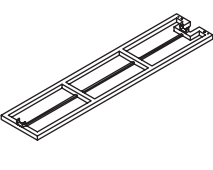
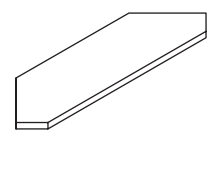
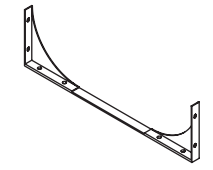
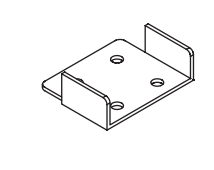
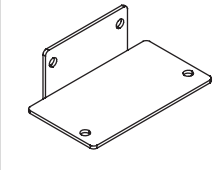
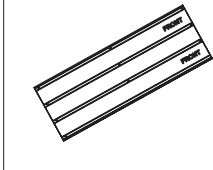
Indica una situación peligrosa que, si NO SE evita, podría provocar la muerte o lesiones graves.

AVISO

Indica información que se considera importante, pero no relacionada con peligros (por ejemplo, mensajes relacionados con daños a la propiedad).

GUÍA DE MONTAJE

LISTA DE PARTES

A1 Publicación 1 (1 pieza) 	A2 Publicación 2 (1 pieza) 	A3 Publicación 3 (1 pieza) 	A4 Publicación 4 (1 pieza) 	A5 Puesto 5 (1 pieza) 	A6 Puesto 6 (1 pieza) 
A7 Puesto 7 (1 pieza) 	A8 Puesto 8 (1 pieza) 	A9 Puesto 9 (1 pieza) 	B Pie de base (7 piezas) 	C Cubrepiés (14 piezas) 	D1 Travesaño 1 (1 pieza) 
D2 Viga transversal 2 (1 pieza) 	D3 Travesaño 3 (1 pieza) 	D4 Viga transversal 4 (1 pieza) 	D5 Travesaño 5 (4 piezas) 	D6 Travesaño 6 (2 piezas) 	D7 Travesaño 7 (1 pieza) 
E1 Conector de viga transversal 1 (1 pieza) 	E2 Conector de viga transversal 2 (1 pieza) 	F1 Costilla de techo 1 (1 pieza) 	F2 Costilla de techo 2 (1 pieza) 	F3 Costilla de techo 3 (1 pieza) 	F4 Costilla de techo 4 (1 pieza) 
G1 Soporte de soporte 1 (1 pieza) 	G2 Soporte de soporte 2 (1 pieza) 	G3 Soporte de soporte 3 (1 pieza) 	G4 Soporte de soporte 4 (1 pieza) 	H1 Costilla superior del techo 1 (3 piezas) 	H2 Costilla superior del techo 2 (3 piezas) 
J1 Panel lateral 1 (1 pieza) 	J2 Panel lateral 2 (4 piezas) 	J3 Panel lateral 3 (2 piezas) 	K1 Estante 1 (1 pieza) 	K2 Estante 2 (1 pieza) 	K3 Estante 3 (1 pieza) 
K4 Estante 4 (1 pieza) 	K5 Estante 5 (1 pieza) 	L1 Soporte de estante 1 (2 piezas) 	L2 Soporte de estante 2 (2 piezas) 	L3 Soporte de estante 3 (1 pieza) 	M1 Panel de techo 1 (1 pieza) 

ESPAÑOL



M2 Panel de techo 2 (1 pieza) 	M3 Panel de techo 3 (1 pieza) 	M4 Panel de techo 4 (1 pieza) 	M5 Panel de techo 5 (2 piezas) 	M6 Panel de techo 6 (2 piezas) 	M7 Panel de techo 7 (1 pieza)
M8 Panel de techo 8 (1 pieza) 	N1 Borde de techo 1 (1 pieza) 	N2 Borde de techo 2 (1 pieza) 	O Protector de poste (1 pieza) 	R Tapa de alimentación eléctrica (2 piezas) 	S Poste de conexión de viga transversal (1 pieza)

HARDWARE

AA Pernos M6×15 (172+10 piezas) 	BB Pernos M6×25 (8 piezas) 	CC Pernos M6×35 (85+5 piezas) 	DD Pernos M6×45 (10 piezas) 	EE Pernos M3×9 (8+1 piezas) 	FF Arandela plana M6×16 (257+15 piezas)
GG Anclaje para hormigón M8×70 (28 piezas) 	HH Arandela plana M6×14 (18+2 piezas) 	JJ Arandela sellante (66+4 piezas) 	KK Tapa de plástico (18+2 piezas) 	MM Gancho magnético (15 piezas) 	

HERRAMIENTAS INCLUIDAS

Z1 Llave abierta de doble boca (1 pieza) 	Z2 Adaptador de broca angular (1 pieza) 	Z3 Destornillador hexagonal de 10 mm × 65 mm (1 pieza) 	Z4 Broca hexagonal de 4 mm × 50 mm (1 pieza) 	Z5 Destornillador M3 (1 pieza)
--	---	---	--	--

Siga todas las advertencias de seguridad provistas con sus herramientas.

Se requiere una escalera de tijera (no incluida) para el montaje.
 Verifique los componentes con la lista de piezas y asegúrese de que no falten piezas.
 Coloque las piezas sobre cartón o un tapete suave para ayudar a proteger las piezas de los rayones.

INSTRUCCIONES DE MONTAJE

Encuentre un área grande y limpia para ensamblar su electrodoméstico.
 Retire todo el material de embalaje antes de ensamblar. (Es posible que tenga hardware adicional o de repuesto después del ensamblaje.)

⚠ ATENCIÓN

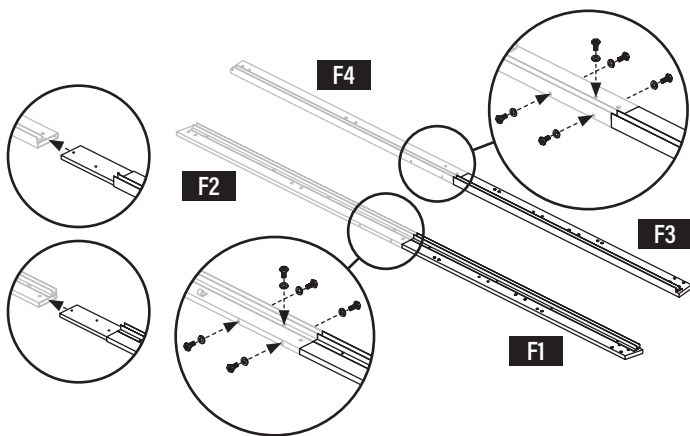
Bordes afilados. Use guantes durante el montaje.

PASO 01 Use cinco (5) pernos [AA] y cinco (5) arandelas planas [FF] para unir la costilla del techo 1 [F1] a la costilla del techo 2 [F2].

Use cinco (5) pernos [AA] y cinco (5) arandelas [FF] para unir la costilla del techo 3 [F3] a la costilla del techo 4 [F4].

[AA] × 10

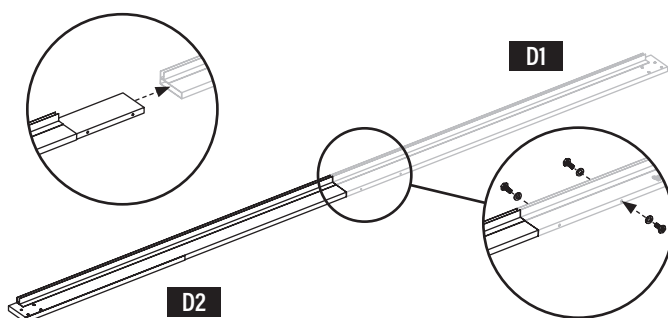
[FF] × 10



PASO 02 Utilice tres (3) pernos [AA] y tres (3) arandelas planas [FF] para fijar la viga transversal 2 [D2] a la viga transversal 1 [D1].

[AA] × 3

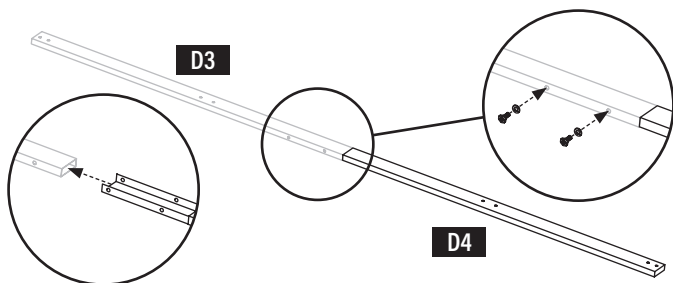
[FF] × 3



PASO 03 Use dos (2) pernos [AA] y dos (2) arandelas planas [FF] para unir la viga transversal 4 [D4] a la viga transversal 3 [D3].

[AA] × 2

[FF] × 2

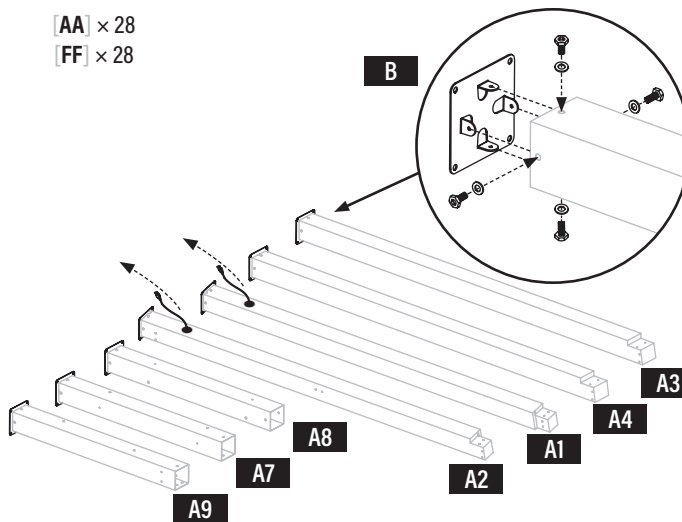


PASO 04 Saque el cable eléctrico a través del enchufe en los postes [A1] y [A2]. Utilice cuatro (4) pernos [AA] y cuatro (4) arandelas planas [FF] para fijar una (1) base de pie [B] al poste 3 [A3].

Repita con las publicaciones [A1], [A2], [A4], [A7], [A8] y [A9].

[AA] × 28

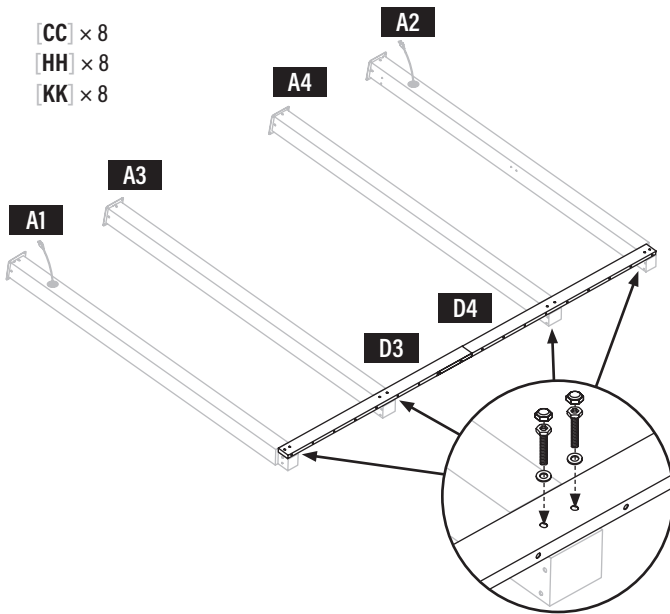
[FF] × 28



ESPAÑOL



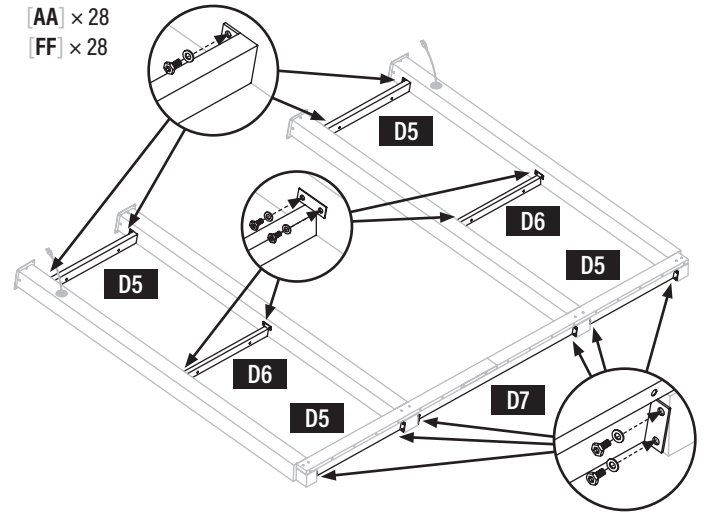
PASO 05 Utilice ocho (8) pernos [CC], ocho (8) arandelas [HH] y ocho (8) tapas de plástico [KK] para fijar el conjunto de viga transversal [D3] [D4] a los postes [A1], [A3], [A4] y [A2] con las tuercas en la parte superior.



PASO 06 Utilice ocho (8) pernos [AA] y ocho (8) arandelas planas [FF] para fijar dos (2) vigas transversales [D5] a la parte inferior de los conjuntos de postes, con las tuercas orientadas hacia abajo.

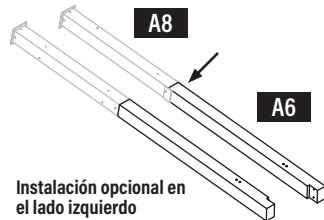
Utilice ocho (8) pernos [AA] y ocho (8) arandelas planas [FF] para fijar dos (2) vigas transversales [D6] al centro de los conjuntos de postes, con las tuercas orientadas hacia abajo.

Utilice doce (12) pernos [AA] y doce (12) arandelas planas [FF] para fijar dos (2) vigas transversales [D5] y la viga transversal [D7] a la parte superior de los conjuntos de postes.



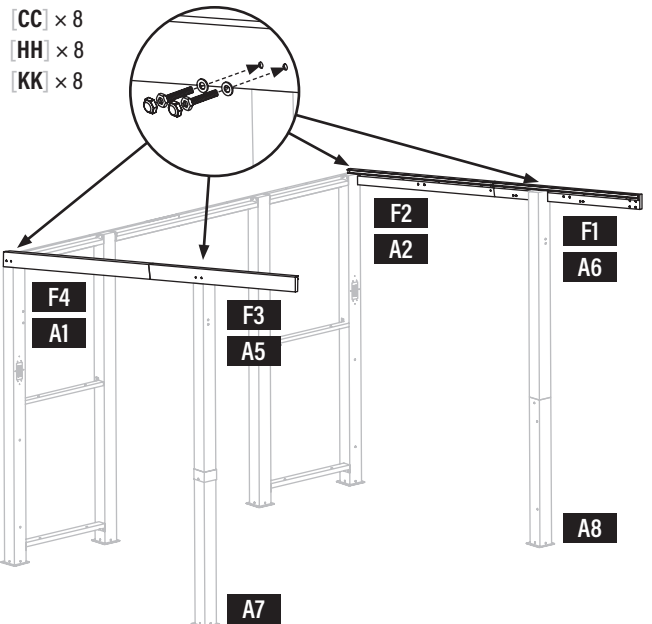
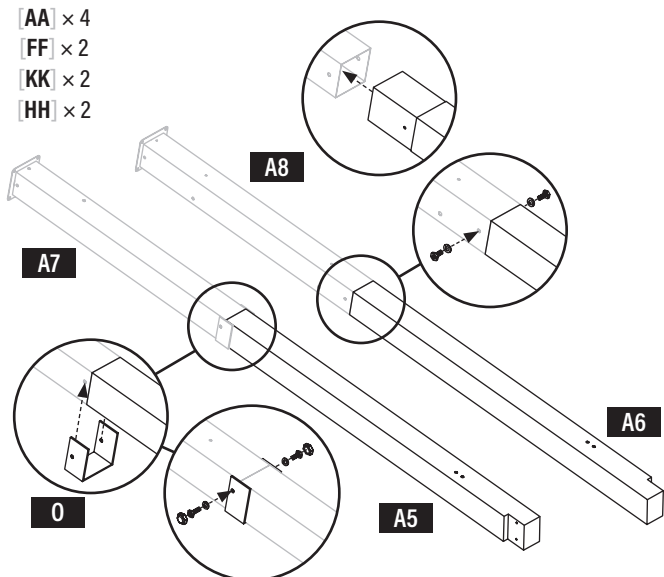
PASO 07 Use dos (2) pernos [AA] y dos (2) arandelas planas [FF] para unir el poste 6 [A6] al poste 8 [A8]. Deslice el protector de postes [O] sobre los postes [A5] y [A7].

Use dos (2) pernos [AA], dos (2) arandelas planas [HH] y dos (2) tapas de plástico [KK] para sujetar el protector de poste [O] a los postes [A5] y [A7].



PASO 08 Use dos (2) pernos [CC], dos (2) arandelas planas [HH] y dos (2) tapas de plástico [KK] para unir la viga transversal [F4] al poste [A1]. Utilice dos (2) pernos [CC], dos (2) arandelas planas [HH] y dos (2) tapas de plástico [KK] para unir la viga transversal [F3] al poste [A5].

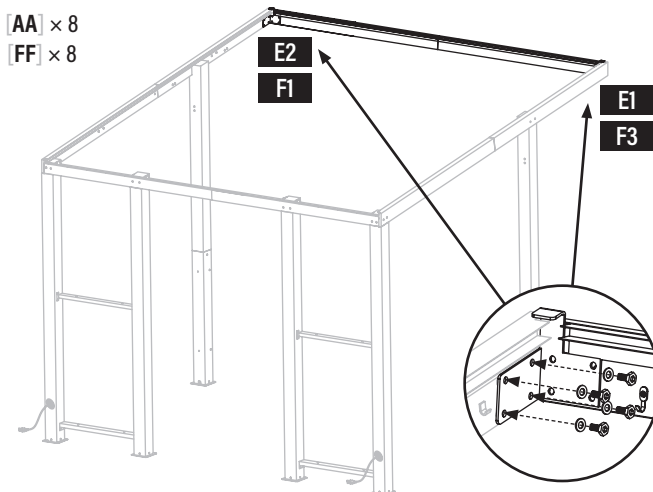
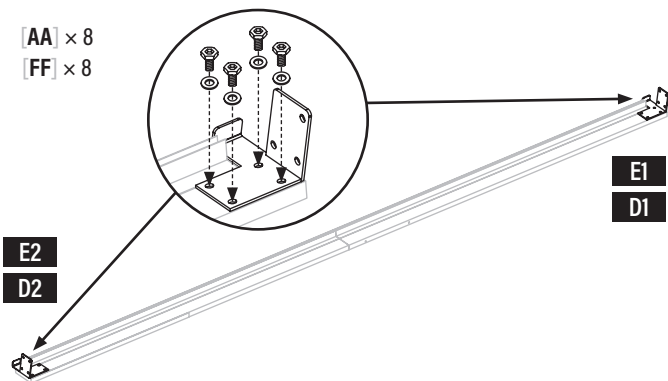
Use dos (2) pernos [CC], dos (2) arandelas planas [HH] y dos (2) tapas de plástico [KK] para unir la viga transversal [F2] al poste [A2]. Use dos (2) pernos [CC], dos (2) arandelas planas [HH] y dos (2) tapas de plástico [KK] para unir la viga transversal [F1] al poste [A6].



ESPAÑOL

PASO 09 Use cuatro (4) pernos [AA] y cuatro (4) arandelas planas [FF] para unir el conector 1 de la viga transversal [E1] a la viga transversal [D1]. Use cuatro (4) pernos [AA] y cuatro (4) arandelas planas [FF] para unir el conector 2 de la viga transversal [E2] a la viga transversal [D2].

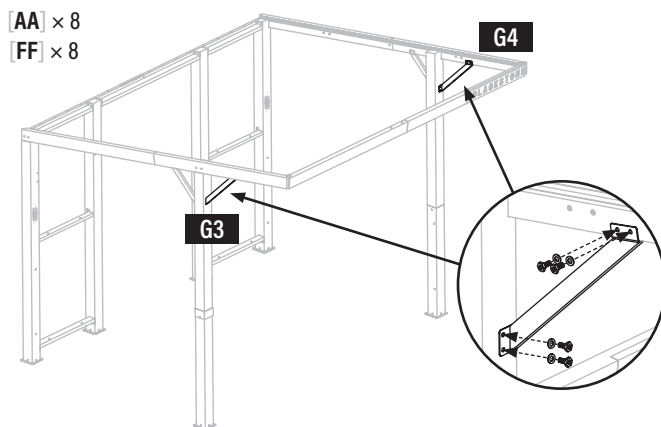
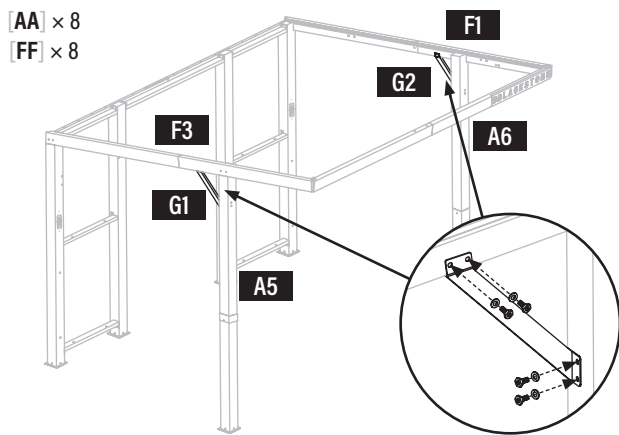
PASO 10 Use cuatro (4) pernos [AA] y cuatro (4) arandelas planas [FF] para unir el conector de la viga transversal [E2] a la viga transversal [F1]. Use cuatro (4) pernos [AA] y cuatro (4) arandelas planas [FF] para unir el conector de la viga transversal [E1] a la viga transversal [F3].



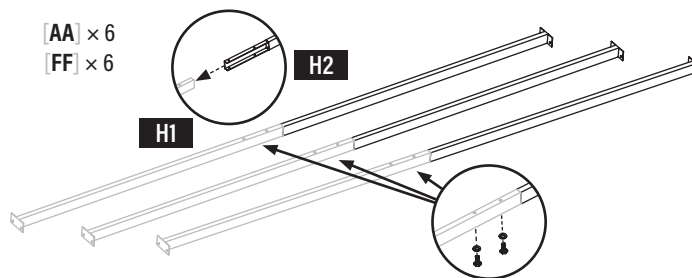
PASO 11 Utilice cuatro (4) pernos [AA] y cuatro (4) arandelas planas [FF] para sujetar el soporte 1 [G1] a la viga transversal [F3] y al poste [A5]. Utilice cuatro (4) pernos [AA] y cuatro (4) arandelas planas [FF] para sujetar el soporte 1 [G2] a la viga transversal [F1] y al poste [A6].

PASO 12 Nota: No apriete los pernos por completo hasta que todos los pernos y arandelas estén correctamente instalados.

Utilice cuatro (4) pernos [AA] y cuatro (4) arandelas planas [FF] para sujetar el soporte 3 [G3] a la viga transversal [F3] y al poste [A5]. Utilice cuatro (4) pernos [AA] y cuatro (4) arandelas planas [FF] para sujetar el soporte 4 [G4] a la viga transversal [F1] y al poste [A6].



PASO 13 Use dos (2) pernos [AA] y dos (2) arandelas planas [FF] para unir una (1) nervadura superior del techo [H1] a una (1) nervadura superior del techo 2 [H2]. Repita con las otras dos (2) nervaduras superiores [H1] y [H2].

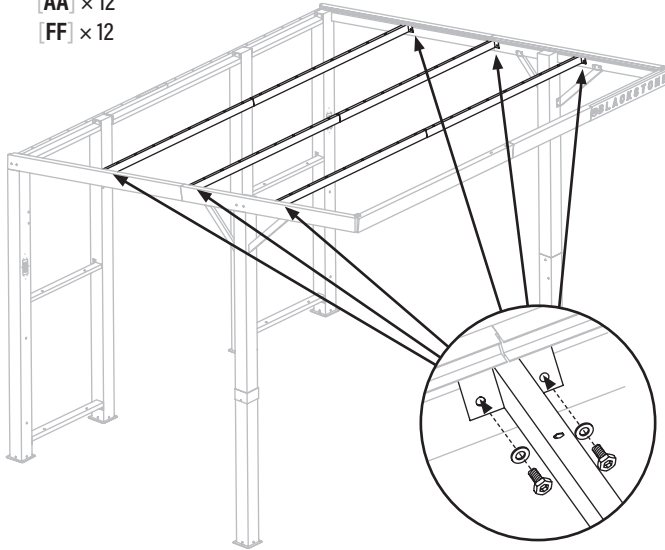




PASO 14 Use cuatro (4) pernos [AA] y cuatro (4) arandelas planas [FF] para unir un (1) ensamblaje de costilla superior del techo a los ensamblajes de viga transversal izquierda y derecha.

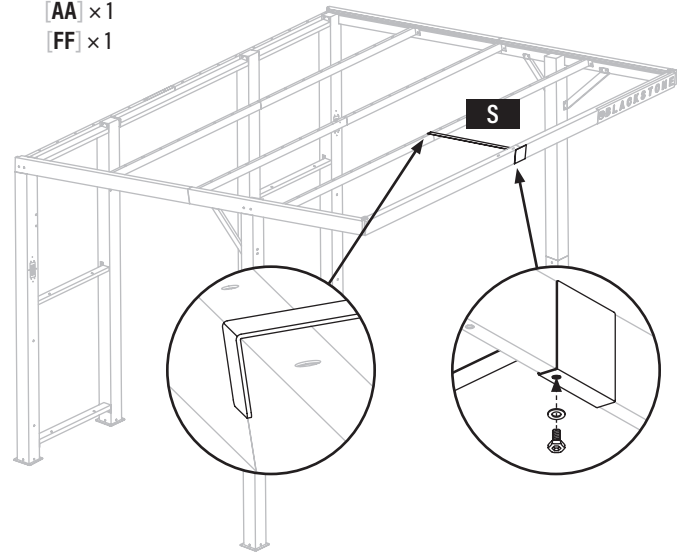
Repita con los otros dos (2) conjuntos de costillas superiores del techo.

[AA] × 12
[FF] × 12



PASO 15 Utilice un (1) perno [AA] y una (4) arandela plana [FF] para fijar el poste de conexión de la viga transversal [S] a los conectores de la viga transversal [E1] y [E2].

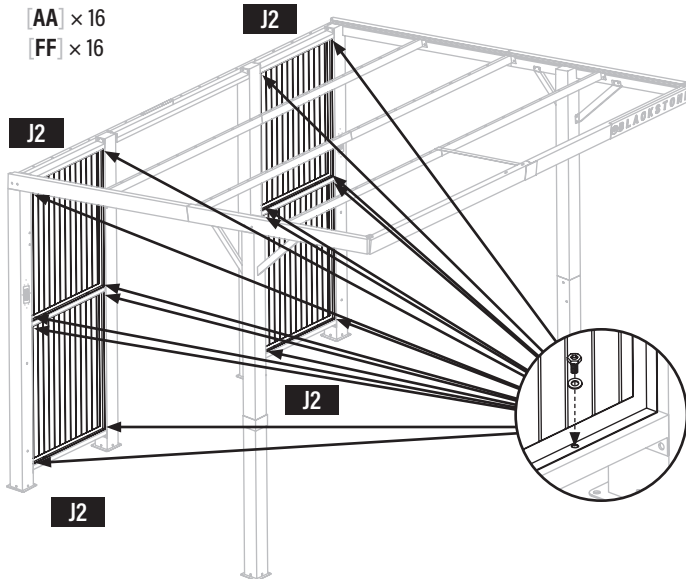
[AA] × 1
[FF] × 1



PASO 16 Utilice cuatro (4) pernos [AA] y cuatro (4) arandelas planas [FF] para fijar un (1) panel lateral 2 [J2] a los conjuntos de vigas transversales traseras.

Repita con los otros tres (3) paneles laterales [J2] y conjuntos de viga transversal trasera.

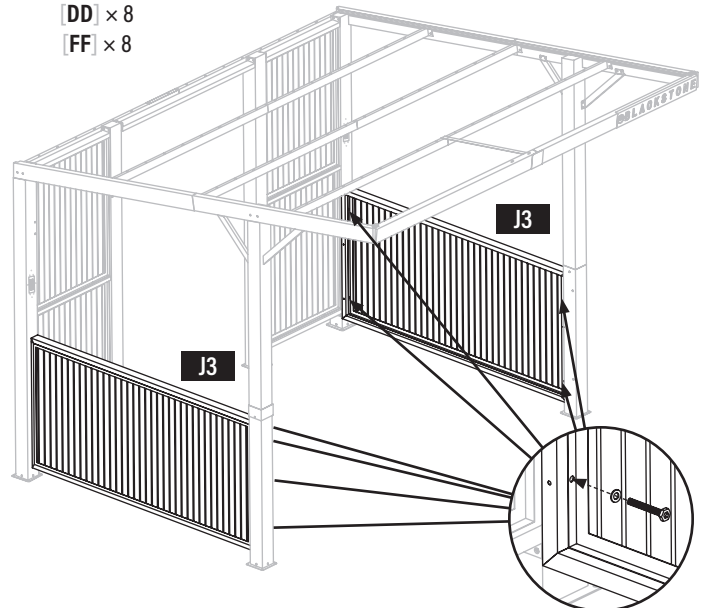
[AA] × 16
[FF] × 16



PASO 17 Utilice cuatro (4) pernos [DD] y cuatro arandelas planas [FF] para fijar un (1) panel lateral 3 [J3] a los postes exteriores.

Repita con el otro panel lateral [J3].

[DD] × 8
[FF] × 8



PASO 18 Nota: Para los pasos 17 a 25, el ensamblador puede optar por ensamblar los estantes y la mesa extendida al lado izquierdo o derecho del **BLACKSTONE BAR & GRIDDLE**.

Nota: No apriete los pernos por completo hasta completar el **PASO 19**. Consulte la etiqueta **INTERIOR** y **SUPERIOR**.

Use cuatro (4) pernos **BB** y dos (2) arandelas planas **FF** para fijar una (1) abrazadera de estante **L1** a su panel lateral preferido **J3**.

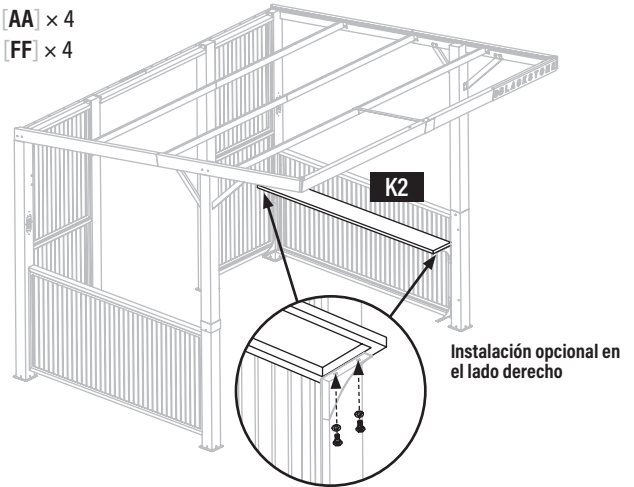
Repita con el otro soporte de estante **L1**.



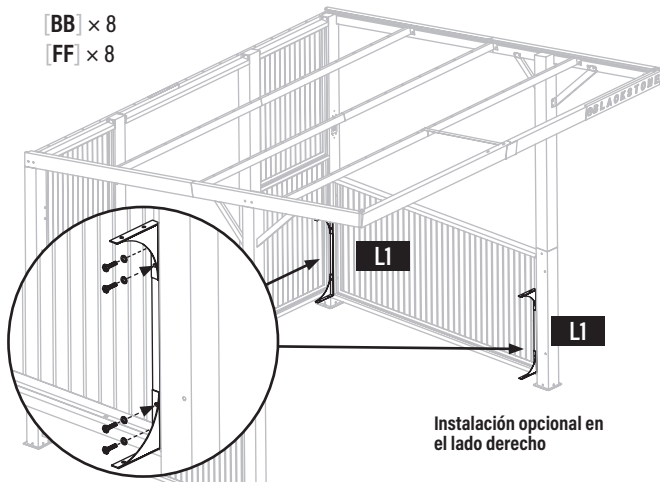
PASO 19 Use cuatro (4) pernos **AA** y cuatro (4) arandelas planas **FF** para sujetar el estante 2 **K2** a las abrazaderas del estante **L1**.



AA × 4
FF × 4



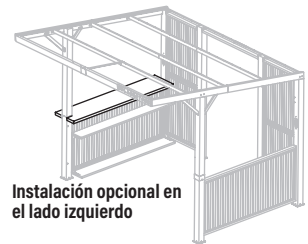
BB × 8
FF × 8



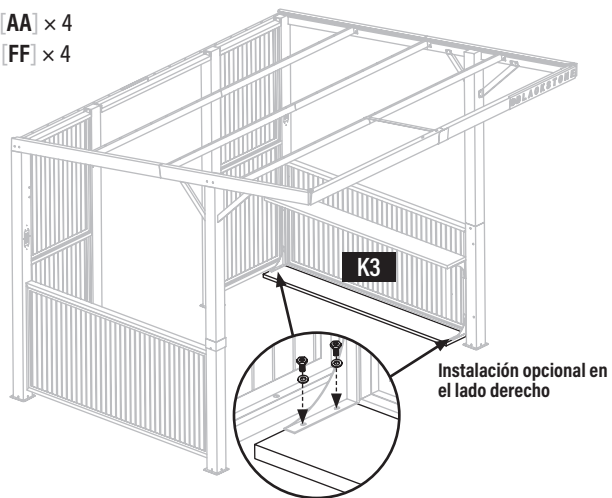
PASO 20 Use cuatro (4) pernos **AA** y cuatro (4) arandelas planas **FF** para sujetar el estante 3 **K3** a los soportes del estante **L1**.



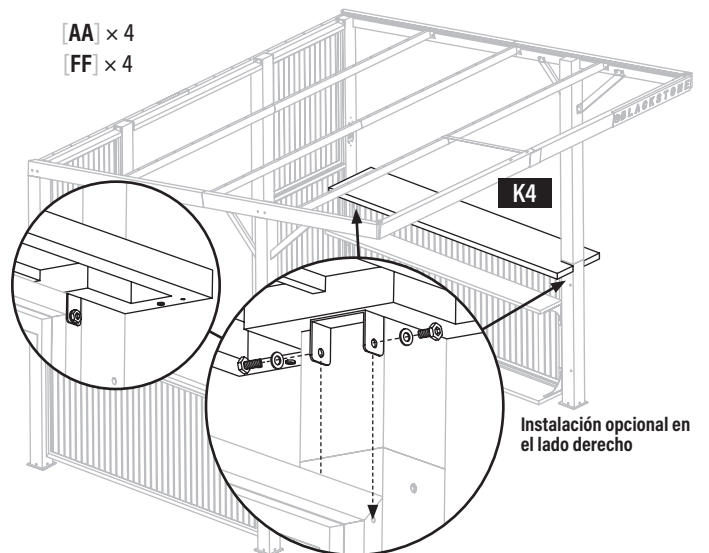
PASO 21 Use cuatro (4) pernos **AA** y cuatro (4) arandelas planas **FF** para sujetar el estante 4 **K4** a su panel lateral **J3** preferido.



AA × 4
FF × 4



AA × 4
FF × 4

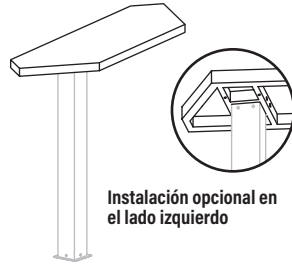


ESPAÑOL



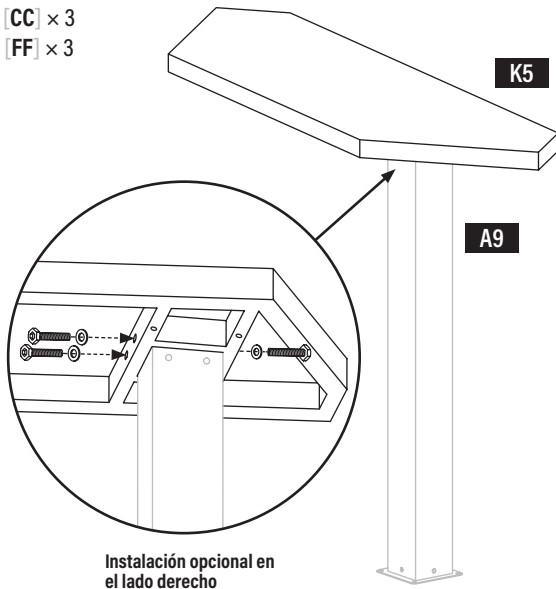
PASO 22 Nota: No apriete los pernos por completo hasta que todos los pernos y arandelas estén correctamente instalados.

Utilice tres (3) pernos [CC] y tres (3) arandelas planas [FF] para fijar el conjunto del poste 9 [A9] al estante lateral 5 [K5].



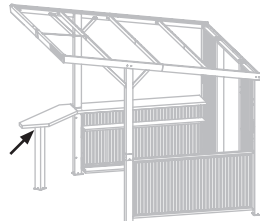
Instalación opcional en el lado izquierdo

[CC] × 3
[FF] × 3



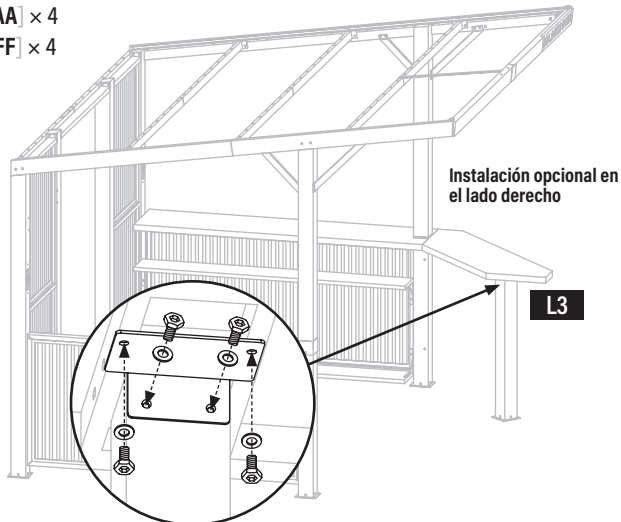
Instalación opcional en el lado derecho

PASO 24 Utilice cuatro (4) pernos [AA] y cuatro (4) arandelas planas [FF] para sujetar la abrazadera del estante 3 [L3] al conjunto del estante [K5].



Instalación opcional en el lado izquierdo

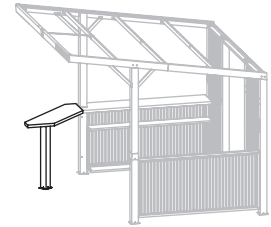
[AA] × 4
[FF] × 4



Instalación opcional en el lado derecho

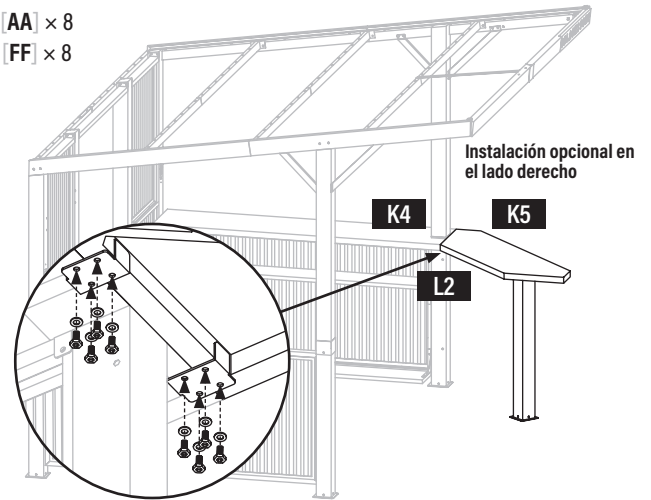
PASO 23 Nota: No apriete los pernos por completo hasta que todos los pernos y arandelas estén correctamente instalados.

Utilice ocho (8) pernos [AA] y ocho (8) arandelas planas [FF] para sujetar los dos (2) soportes de estante [L2] y el estante [K5] al conjunto de estante [K4].



Instalación opcional en el lado izquierdo

[AA] × 8
[FF] × 8

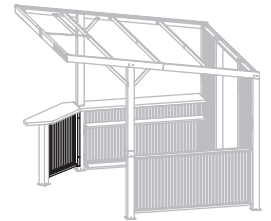


Instalación opcional en el lado derecho

PASO 25 Nota: No apriete los pernos por completo hasta que todos los pernos y arandelas estén correctamente instalados.

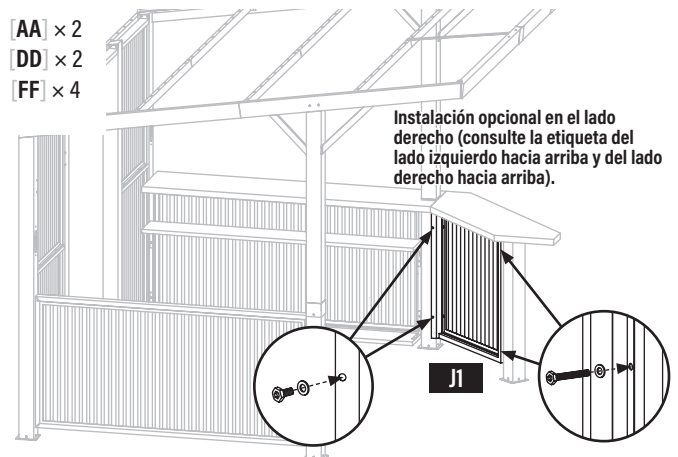
Utilice dos (2) pernos [AA] y dos (2) arandelas planas [FF] para sujetar el panel lateral 1 [J1] al poste 8 [A8].

Utilice dos (2) pernos [DD] y dos (2) arandelas planas [FF] para sujetar el panel lateral 1 [J1] al poste 9 [A9].



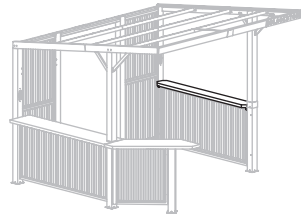
Instalación opcional en el lado izquierdo (consulte la etiqueta del lado izquierdo hacia arriba y del lado derecho hacia arriba).

[AA] × 2
[DD] × 2
[FF] × 4



Instalación opcional en el lado derecho (consulte la etiqueta del lado izquierdo hacia arriba y del lado derecho hacia arriba).

PASO 26 Use cuatro (4) pernos [AA] y cuatro (4) arandelas planas [FF] para unir el estante 1 [K1] al otro panel lateral [J3].

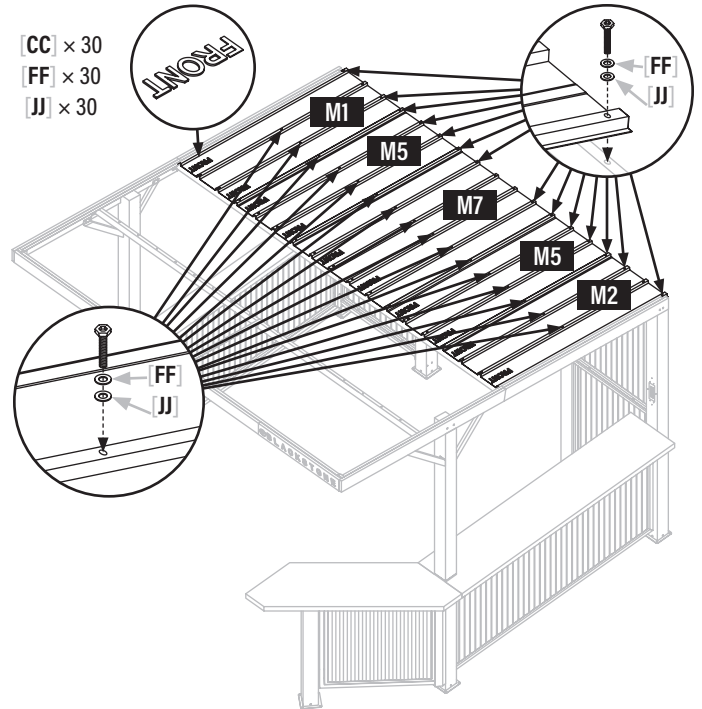


Instalación opcional en el lado izquierdo

PASO 27 Nota: No apriete los pernos por completo hasta que todos los pernos y arandelas estén correctamente instalados.

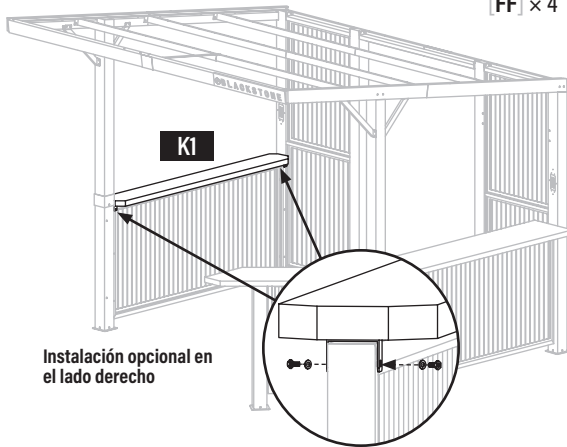
Use catorce (14) pernos [CC], catorce (14) [FF] arandelas planas y catorce (14) [JJ] arandelas selladoras para unir los paneles del techo [M1, M2, M5] y [M7] a los travesaños [D3] y [D4].

Use dieciséis (16) pernos [CC], catorce (14) [FF] arandelas planas y dieciséis (16) [JJ] arandelas selladoras para unir los paneles del techo [M1, M2, M5] y [M7] a las costillas superiores del techo [H1] y [H2].



[AA] × 4
[FF] × 4

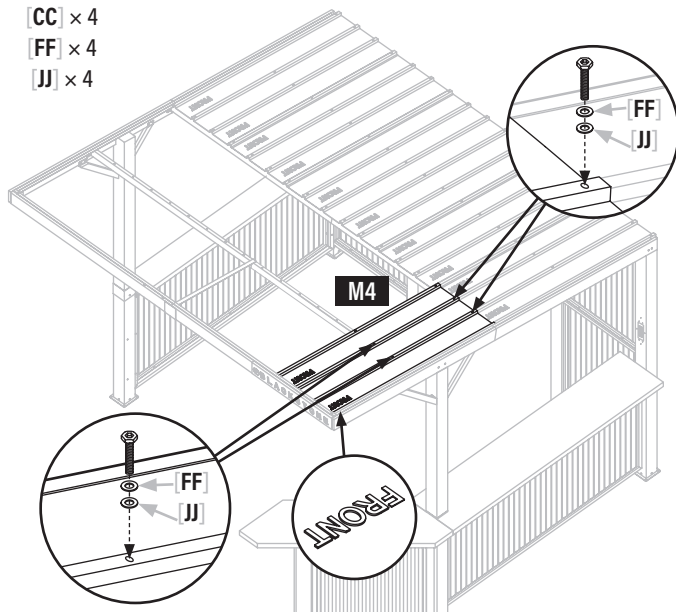
[CC] × 30
[FF] × 30
[JJ] × 30



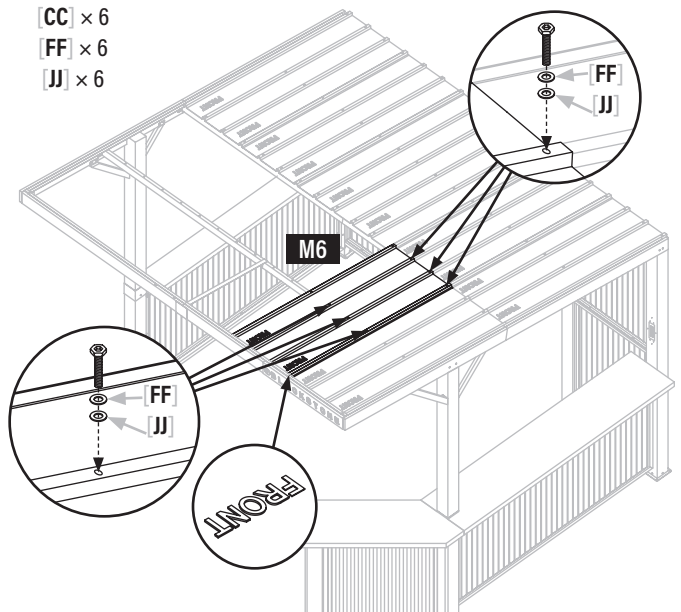
Instalación opcional en el lado derecho

PASO 28 Utilice cuatro (4) pernos [CC], cuatro (4) arandelas planas [FF] y cuatro (4) arandelas selladoras [JJ] para sujetar el panel del techo 4 [M4] a las nervaduras superiores del techo.

PASO 29 Utilice seis (6) pernos [CC], seis (6) arandelas planas [FF] y seis (6) arandelas selladoras [JJ] para fijar un (1) panel de techo 6 [M6] a las nervaduras superiores del techo.



[CC] × 4
[FF] × 4
[JJ] × 4

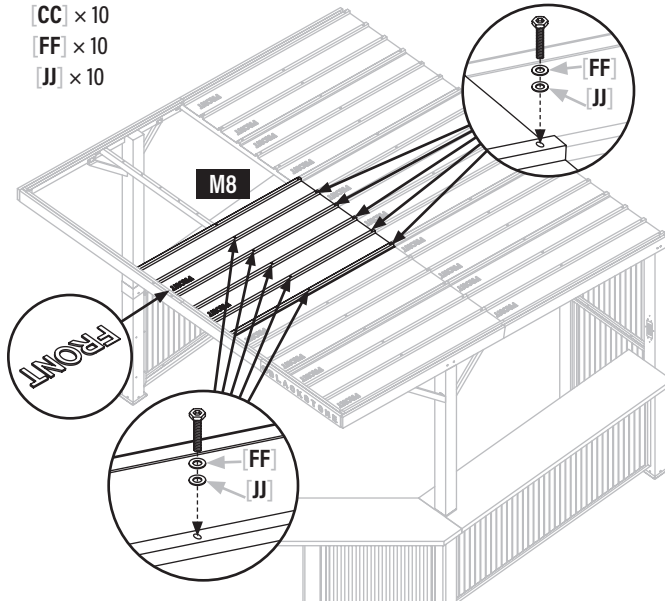


[CC] × 6
[FF] × 6
[JJ] × 6



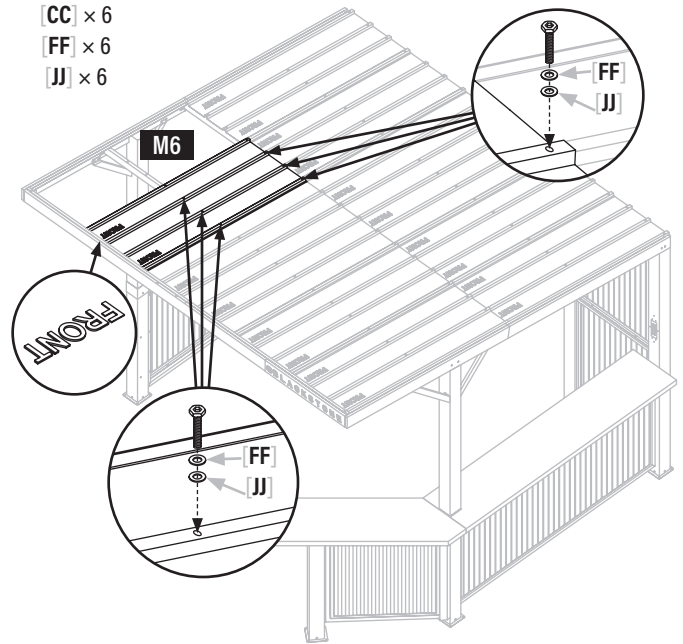
PASO 30 Utilice diez (10) pernos [CC], diez (10) arandelas planas [FF] y diez (10) arandelas selladoras [JJ] para sujetar el panel del techo 8 [M8] a las nervaduras superiores del techo.

- [CC] × 10
- [FF] × 10
- [JJ] × 10



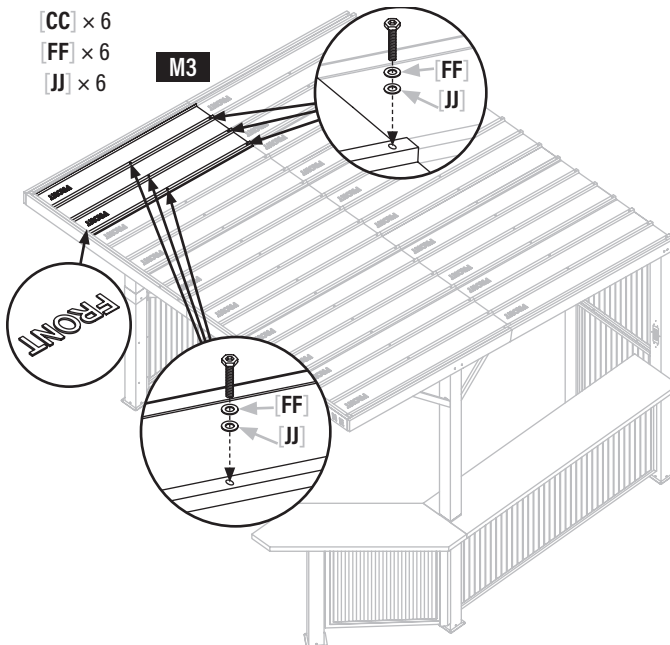
PASO 31 Utilice seis (6) pernos [CC], seis (6) arandelas planas [FF] y seis (6) arandelas selladoras [JJ] para fijar un (1) panel de techo 6 [M6] a las nervaduras superiores del techo.

- [CC] × 6
- [FF] × 6
- [JJ] × 6



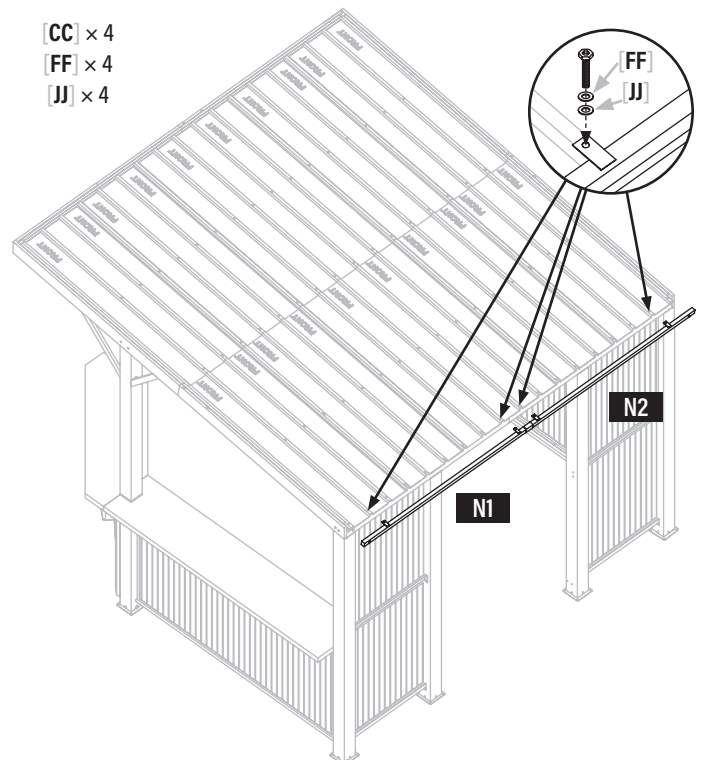
PASO 32 Utilice seis (6) pernos [CC], seis (6) arandelas planas [FF] y seis (6) arandelas selladoras [JJ] para sujetar el panel del techo 3 [M3] a las nervaduras superiores del techo.

- [CC] × 6
- [FF] × 6
- [JJ] × 6



PASO 33 Utilice cuatro (4) pernos [CC] y cuatro (4) arandelas planas [FF] para fijar los bordes del techo [N1] y [N2] a la parte superior de los paneles del techo.

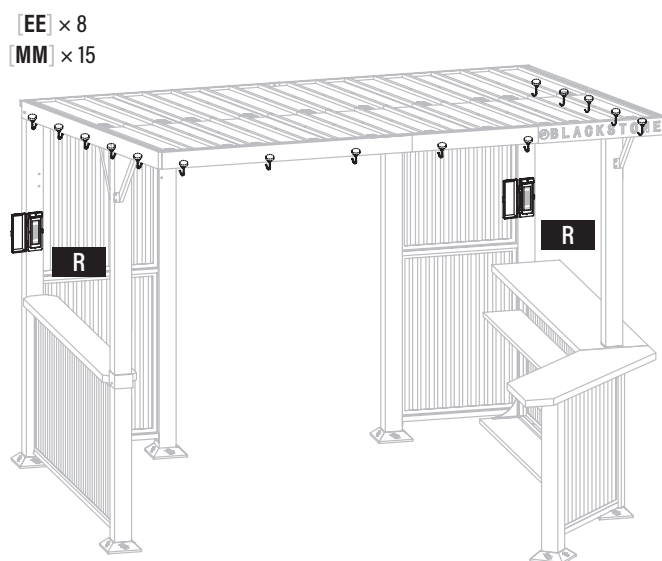
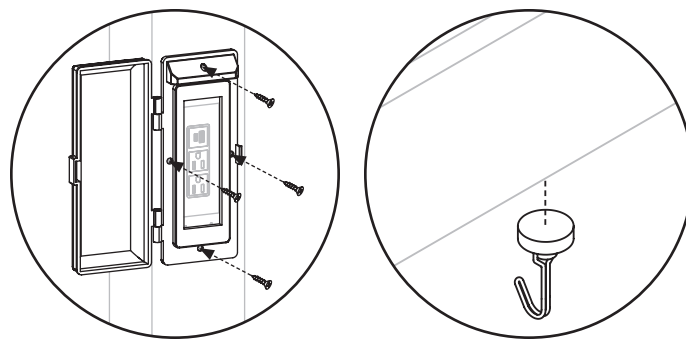
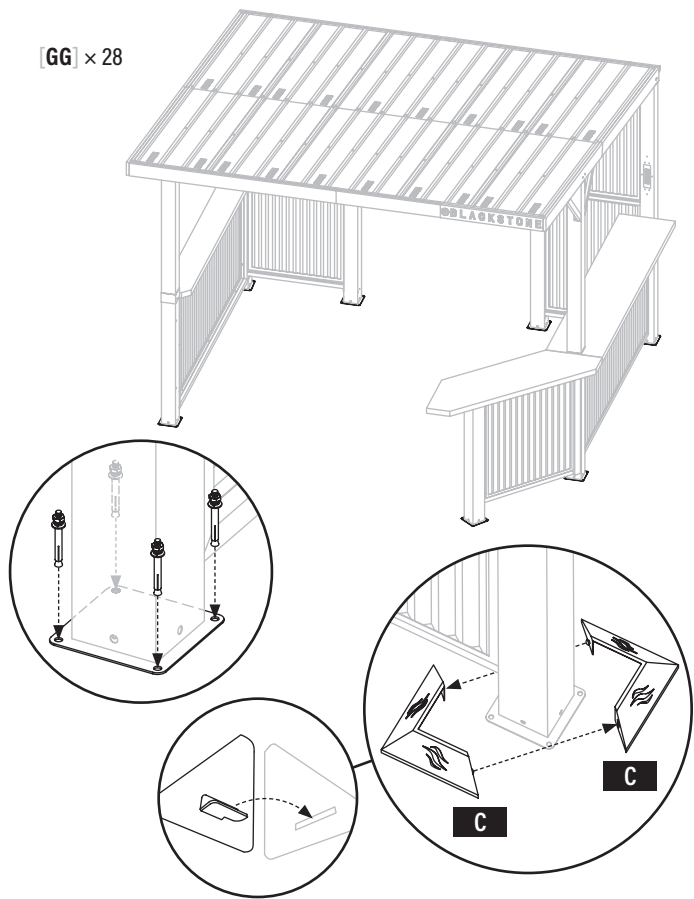
- [CC] × 4
- [FF] × 4
- [JJ] × 4



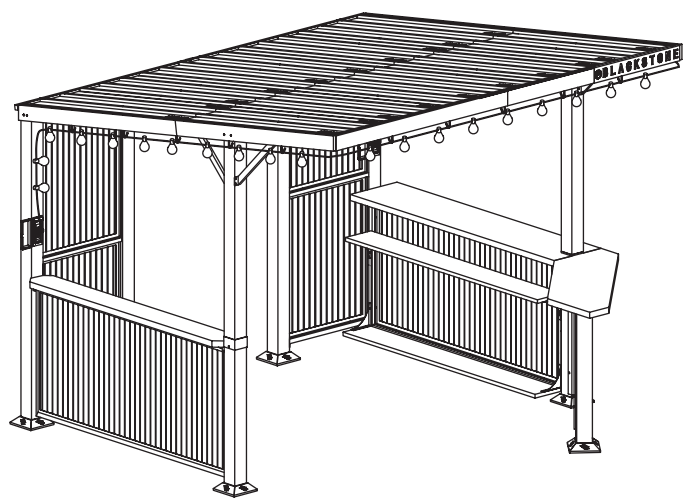
PASO 34 Use cuatro (4) pernos de expansión [GG] para anclar la base de cada poste [B].
Deslice la clavija de una (1) cubierta de pie [C] en el ojo de cerradura de una (1) cubierta de pie [C] para cada poste.

PASO 35 Use cuatro (4) pernos [EE] para sujetar una (1) cubierta de energía eléctrica [R] al poste 1 [A1]. (Nota: el destornillador M3 está incluido)
Use cuatro (4) pernos [EE] para sujetar una (1) cubierta de energía eléctrica [R] al poste 2 [A2].
Pegue los ganchos magnéticos [MM] a los travesaños. (Se recomiendan 5 por lado).

ESPAÑOL



PASO 36 Proceda a las **INSTRUCCIONES DE OPERACIÓN**.
(cadena de luz no incluida)



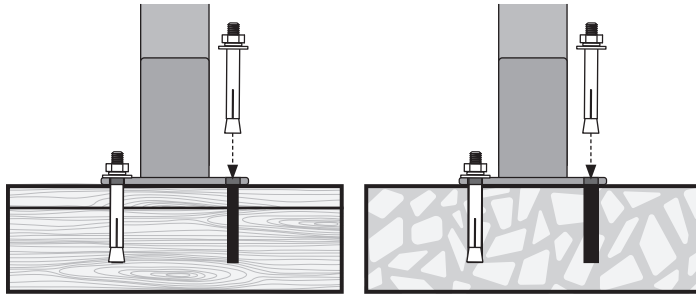


INSTRUCCIONES DE OPERACIÓN

GUÍA DE ANCLAJE DE ESTRUCTURAS EXTERIORES

⚠ ADVERTENCIA

Si su **BLACKSTONE BAR & GRIDDLE** no está debidamente anclado, podría dañarse. Se recomienda encarecidamente para máxima seguridad que monte y asegure los pies de madera o concreto. Esto es mucho mejor y más seguro que usar estacas en el suelo.



MADERA

Los anclajes se deben perforar en las vigas o en los bloques reforzados (no solo en las tablas de la terraza).

CONCRETO

Use una broca de 1/2" (no incluida) para pretaladrar agujeros para anclajes de concreto.

Si está excavando para los cimientos, verifique dos veces la posibilidad de que haya servicios subterráneos, como líneas de gas, teléfono, cable o rociadores. Consulte los códigos de construcción y de la ciudad locales, las ordenanzas, los convenios vecinales o las restricciones de altura con respecto a este tipo de estructura para obtener orientación sobre los requisitos de instalación aceptables.

Considere consultar a un contratista con licencia para obtener asistencia en el anclaje de este producto.

USO DE SU BLACKSTONE BAR & GRIDDLE

El **BLACKSTONE BAR & GRIDDLE** está diseñado para uso privado, decorativo y ornamental únicamente.

El producto **NO ESTÁ DISEÑADO** para lo siguiente:

- Una barrera de seguridad para evitar el acceso no supervisado a piscinas, jacuzzis, spas o estanques.
- Como soporte de carga para un edificio, estructura, objetos pesados o columpios.
- Se utiliza en estructuras que atrapan el viento, la lluvia o la nieve que crearían una carga adicional en el producto.

⚠ ATENCIÓN

NO suba ni camine sobre el techo por ningún motivo.

CLASIFICACIÓN DE VIENTO

Escala 12 de Beaufort: Vientos por la fuerza del huracán (73 MPH)

El **BLACKSTONE BAR & GRIDDLE** no debe usarse en condiciones climáticas adversas y vientos fuertes.

CAPACIDAD DE CARGA DE NIEVE

15.65 lbs/ pie²

La nieve acumulada debe retirarse del techo.

ATENCIÓN AL CLIENTE

CONTACTA CON NOSOTROS

Para cualquier pregunta, consulta o asistencia al cliente, contáctenos a:

ESTADOS UNIDOS DE BLACKSTONE PRODUCTS

BlackstoneProducts.com/support

- Comuníquese con nosotros antes de devolver este aparato a su distribuidor.
- Consulte BlackstoneProducts.com para conocer los horarios y los idiomas que se hablan.

CANADÁ DE BLACKSTONE PRODUCTS

BlackstoneGriddles.ca

ENVÍENOS UN CORREO ELECTRÓNICO A:

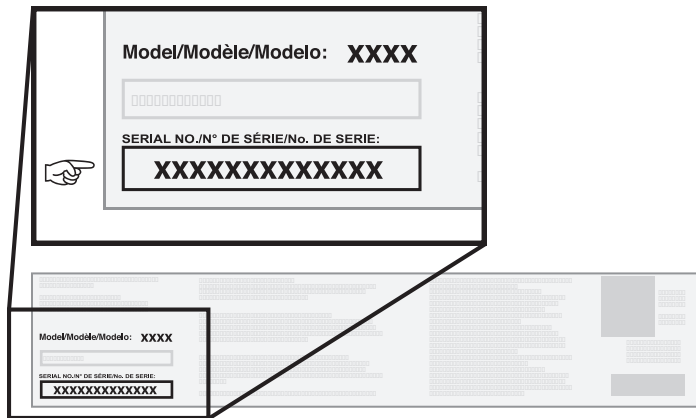
specialty@blackstoneproducts.com

UBICACIÓN DEL NÚMERO DE SERIE

Para habilitar su garantía, deberá proporcionar el número de serie de su electrodoméstico.

El número de serie se puede encontrar en la etiqueta del fabricante de su electrodoméstico.

(La etiqueta del fabricante es una etiqueta plateada grande que se encuentra en el cuerpo de su electrodoméstico).



LIBRO DE COCINA ELECTRÓNICO GRATUITO AL REGISTRARSE

GARANTÍA DE TRES AÑOS

North Atlantic Imports, LLC garantiza este producto contra defectos de materiales y mano de obra por un período de tres (3) años a partir de la fecha original de compra en condiciones de uso normal. En la medida en que se produzcan dichos defectos, North Atlantic Imports, LLC., a su discreción, proporcionará las piezas de repuesto adecuadas sin coste alguno.

En ningún caso North Atlantic Imports, LLC será responsable de los daños consecuentes, indirectos o incidentales que resulten de la instalación, el uso o la falla del producto.

Esta garantía NO cubre:

- Costos de inspección o mano de obra para el reemplazo de cualquier pieza defectuosa;
- Defectos cosméticos que no afectan el rendimiento o la integridad del producto;
- Uso y desgaste normal;
- Daños por vandalismo; actos de la naturaleza, incluidos, entre otros, viento, tormentas, granizo, inundaciones;
- Montaje, instalación o uso inadecuado;
- Decoloración o decoloración del acabado como resultado de la exposición a productos químicos, derrames, piscina o agua salada;
- Corrosión/óxido.

Este producto ha sido diseñado para brindar seguridad y calidad. Cualquier modificación realizada al producto original podría comprometer su integridad estructural o su función y podría provocar fallas en el producto o lesiones personales. Como tal, modificar este producto anula todas las garantías.

Este producto es SOLO PARA USO RESIDENCIAL y no para fines comerciales, contractuales ni otros fines no residenciales. North Atlantic Imports, LLC renuncia a todas las demás representaciones y garantías de cualquier tipo, expresas o implícitas.

La garantía se aplica al comprador original y no es transferible. NO SE aplica a accesorios o piezas que NO SE suministran con el producto, a compras de modelos de exhibición ni a productos que se venden en liquidación o "tal cual". Sin embargo, es posible que tenga otros derechos legales específicos según las leyes de su estado o país de residencia específico.

Para activar su garantía, registre su producto en

BlackstoneProducts.com/register

North Atlantic Imports, LLC se reserva el derecho de cambiar o modificar esta garantía en cualquier momento.

Este producto puede estar cubierto por una o más patentes estadounidenses y/o internacionales emitidas y puede incluir solicitudes de patentes pendientes. Para obtener más información, visite: BlackstoneProducts.com/patents
 Blackstone es una marca registrada de North Atlantic Imports, LLC
 ©2025 North Atlantic Imports. Todos los derechos reservados.
 Distribuido por North Atlantic Imports, LLC 1073 W 1700 N Logan, UT 84321 EE. UU.

ESPAÑOL



Esta página se dejó en blanco intencionalmente

