

# INSTALLATION INSTRUCTIONS

Model # 7991-66

READ AND SAVE THESE INSTRUCTIONS

**WARNING! SHUT POWER OFF AT FUSE OR CIRCUIT BREAKER.**

**AVERTISSEMENT! COUPER LE COURANT AU NIVEAU DES FUSIBLES OU DU DISJONCTEUR.**

## PREPARING FOR INSTALLATION (Fig. 1)

1. Shut off power at the fuse box or circuit breaker box and remove the old fixture including the mounting hardware.
2. Carefully unpack your new fixture and lay out all the parts in a clear area. Take care not to misplace any small parts necessary for installation.
3. Remove screws (F) and rubber washers (E) and separate mounting plate (C) from back plate (G), then attach mounting plate (C) to outlet box (A) (Not included) with outlet box screws (D).  
Note: The side of mounting plate marked "GND" must face out.
4. Install glass panels (K) into holder of fixture body (H) and secure with tabs (I) on top and bottom.

## CONNECTING THE WIRES (Fig. 2)

5. Connect the electrical wires as shown in Fig.2. Making sure that all wire connectors (B) are secured. If your outlet box (A) has a ground wire (green or bare copper), connect fixture's ground wire to it. Otherwise, connect fixture's ground wire directly to mounting plate (C) using green screw provided.
6. Tuck wire connectors neatly into outlet box (A).

## FINISHING THE INSTALLATION (Fig.1)

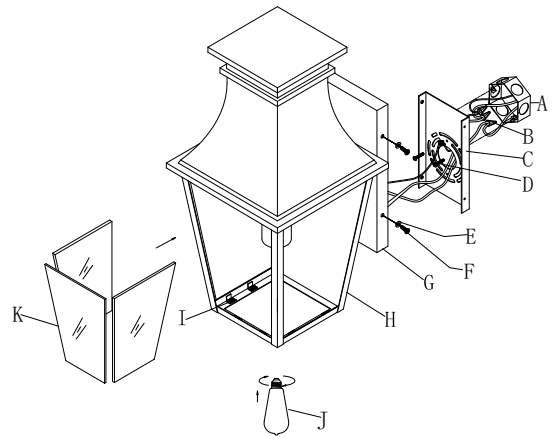
7. Install (1) one medium base bulb (J) up to 60 watts or CFL or LED equivalent (not included) in accordance with the fixture specification. **—DO NOT EXCEED THE MAXIMUM WATTAGE RATING! (NE PAS DEPASSER LA PUISSANCE NOMINALE MAXIMALE!)**
8. Place back plate (G) onto mounting plate (C) and secure with rubber washers (E) and screws (F).
9. To prevent moisture from entering outlet box (A) and causing a short, use clear silicone sealant to outline the outside of back plate (G) where it meets wall leaving a space at bottom to allow moisture a means to escape. (Fig .3)

Your installation is now complete. Return power to the outlet box and test fixture.

**IMPORTANT: FIXTURE SHOULD BE INSTALLED BY A QUALIFIED ELECTRICIAN TO ENSURE PROPER WIRING AND INSTALLATION.**

Fig. 1

Part# A-020-122185  
Mounting Plate (1)  
Mounting Screws (2)  
Ground Screw (1)



Glass# G7991 for 7991-66

Candle Cover# CCV41056P-66 Sand Coal

Candle Cover# CCV41056P-06 Soft Cream

Fig. 2

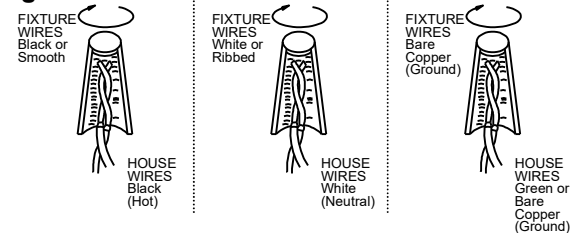
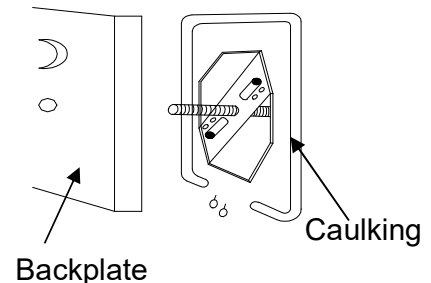


Fig. 3



american  
lighting  
association