

**Chest Freezer**  
**MECHANICAL CONTROL SERIES**

# **USER MANUAL**

**MRC10M5CWW**

Warning notices: Before using this product, please read this manual carefully and keep it for future reference. The design and specifications are subject to change without prior notice for product improvement. Consult with your dealer or manufacturer for details. The diagram above is just for reference. Please take the appearance of the actual product as the standard.



# LANGUAGES

EN

English

**Free 3 months  
extension** of the  
original limited warranty  
period!\* Simply text a  
picture of your proof of  
purchase to:

**1-844-224-1614**

\*The warranty extension is for the three months immediately following the completion of the product's original warranty period. Individuals do not need to register the product in order to get all the rights and remedies of registered owners under the original limited warranty.



## THANK YOU LETTER

Thank you for choosing Midea! Before using your new Midea product, please read this manual thoroughly to ensure that you know how to operate the features and functions that your new appliance offers in a safe way.

# CONTENTS

THANK YOU LETTER.....	01
SAFETY INSTRUCTIONS .....	02
SPECIFICATIONS .....	08
PRODUCT OVERVIEW.....	09
PRODUCT INSTALLATION.....	10
OPERATION INSTRUCTIONS .....	12
CLEANING AND MAINTENANCE.....	15
TROUBLESHOOTING.....	16
TRADEMARKS, COPYRIGHTS AND LEGAL STATEMENT.....	18
DISPOSAL AND RECYCLING.....	19
DATA PROTECTION NOTICE.....	20
WARRANTY.....	21

# SAFETY INSTRUCTIONS

## Intended use

**Before switching on the appliance for the first time read the following safety hints!**

This appliance is intended to be used in household and similar applications such as staff kitchen areas in shops, offices and other working environments; farm houses and by clients in hotels, motels and other residential type environments; bed and breakfast type environments; catering and similar non-retail applications.

If the appliance is used commercially or for purposes other than cooling food, please note that the manufacturer cannot accept any liability for any damage.

Modifications or alterations to the unit are not permitted for safety reasons.

## Explanation of symbols



### **Danger**

This symbol indicates that there are dangers to the life and health of persons due to extremely flammable gas.



### **Warning of electrical voltage**

This symbol indicates that there is a danger to life and health of persons due to voltage.



### **Warning**

The signal word indicates a hazard with a medium level of risk which, if not avoided, may result in death or serious injury.



### **Caution**

The signal word indicates a hazard with a low degree of risk which, if not avoided, may result in minor or moderate injury.



### **Attention**

The signal word indicates important information (e.g. damage to property), but not danger.



### **Observe instructions**

This symbol indicates that a service technician should only operate and maintain this appliance in accordance with the operating instructions.

Read these operating instructions carefully and attentively before using/ commissioning the unit and keep them in the immediate vicinity of the installation site or unit for later use!



## WARNING

Risk of fire / Flammable material

- **DANGER** Risk of fire or explosion. Flammable refrigerant used. Do not use mechanical devices to defrost refrigerator. Do not puncture refrigerant tubing.
- **DANGER** Risk of fire or explosion. Flammable refrigerant used. To be repaired only by trained service personnel. Use only manufacturer authorized service parts. Any repair equipment used must be designed for flammable refrigerants. Follow all manufacturer repair instructions. Do not puncture refrigerant tubing.



## CAUTION

- **CAUTION** Risk of fire or explosion. Dispose of refrigerator properly in accordance with the applicable federal or local regulations. Flammable refrigerant used.
- **CAUTION** Risk of fire or explosion due to puncture of refrigerant tubing. Follow handling instructions carefully. Flammable refrigerant used.



## WARNING General safety

- Install in accordance with the manufacturer's instructions.
- This product should not be recessed or built-in an enclosed cabinet. It is designed for freestanding installation only.
- **WARNING** - Keep ventilation openings, in the product, clear of obstruction.
- Do not install near any heat sources, such as radiators, heat registers, stoves, other cooking appliances or in direct sunlight.
- Do not store or use gasoline or any flammable liquids inside or in the vicinity of this refrigerator.
- Do not store explosive substances such as aerosol cans with a flammable propellant in this appliance.
- Do not use electrical appliances inside the food storage compartments of the appliance, unless they are of the type recommended by the manufacturer.
- Do not use mechanical devices or other means to accelerate the defrosting process, other than those recommended by the manufacturer.
- This appliance is not intended for use by persons (including children) with reduced physical, sensory or mental capabilities, or lack of experience and knowledge, unless they have been given supervision or instruction concerning use of the appliance by a person responsible for their safety.

EN



## **WARNING Electrical safety**

### **Incorrect electrical installation or excessive mains voltage can lead to electric shocks!**

- Only connect your fridge-freezer to a properly installed earthed socket if the mains voltage of the socket corresponds to the specification on the rating label\*.
- Do not use extension cords or ungrounded (two-pin) adapters.
- Make sure that all electrical cables outside the appliance are protected from damage (e.g. by animals or sharp edges).
- Do not locate multiple portable socket outlets or portable power supplies at the rear of the appliance.
- Improper power supply may result in fire or electric shocks.
- Avoid electrical overload. Disconnect the mains plug from the mains socket before carrying out care, maintenance and repair work on the unit.
- Switch off the unit and disconnect the mains plug from the mains socket when you are not using the unit.
- If the supply cord is damaged, it must be replaced by the manufacturer, its service agent or similarly qualified persons in order to avoid a hazard.
- If the products are equipped with LEDs, do not remove the lighting cover and LED yourself. Any replacement or maintenance of the LED lamps is intended to be made by the manufacturer, its service agent or similar qualified person.

This product is not recommended for use with sockets or main switch with the A/GFCI function, otherwise it may cause false tripping.

1. It's not pose a safety risk when tripped.
2. If tripping persists, it is recommended to replace the sockets or main switch without a/gfci function.



## **WARNING Child Safety**

- Children should be supervised to ensure that they do not play with the appliance.
- Destroy carton, plastic bags, and any exterior wrapping material immediately after the product is unpacked.
- Children should never use these items to play. Cartons covered with rugs, bedspreads, plastic sheets or stretch wrap may become airtight chambers, and can quickly cause suffocation.
- Remove all staples from the carton. Staples can cause severe cuts, and destroy finishes if they come in contact with other appliances or furniture.

### **Risk of child entrapment. Before you throw away your old refrigerator or freezer:**

- Take off the doors.
- Leave the shelves in place so that children may not easily climb inside.





## **CAUTION Risk of injury and damage!**

- Never put frozen food in your mouth immediately after taking it out of the freezer.
- Avoid prolonged skin contact with frozen food, ice and the pipes in the freezer compartment.
- Do not store explosive substances such as aerosol cans with a flammable propellant in this appliance. Also do not place flammable products near the product.
- Do not store beer, drinks or other liquids in bottles or tightly closed containers in the freezer compartment!



## **WARNING**

### **State of California Proposition 65 Warnings:**

- This product can expose you to chemicals including lead, which is known to the State of California to cause cancer, birth defects or other reproductive harm, and bisphenol A (BPA) which are known to the state of California to cause birth defects or other reproductive harm. For more information go to [www.P65Warnings.ca.gov](http://www.P65Warnings.ca.gov).



## **CAUTION**

EN

### **To avoid contamination of food, please respect the following instructions:**

- Opening the door for long periods can cause a significant increase of the temperature in the compartments of the appliance.
- Clean regularly surfaces that can come in contact with food and accessible drainage systems.
- Clean water tanks if they have not been used for 48h; flush the water system connected to a water supply if water has not been drawn for 5 days. (Note1)(\*)
- **WARNING:** Fill with potable water only.(\*)
- **WARNING:** Connect to potable water supply only. (Suitable for ice making machine)(\*)

### **ATTENTION**

(\*): This feature varies depending on the model purchased. Please confirm whether it is applicable according to your product.

## Before The First Use

The packaging must be undamaged. Check the device for transport damage. Do not connect a damaged device under any circumstances. In case of damage, please contact the supplier.

Remove transport cover

The unit and parts of the interior are protected for transport. You can remove all adhesive tapes on the right and left side of the device door as well as any adhesive residues with cleaning solvent. Remove all adhesive tapes and packaging parts from the interior of the device as well.



## CAUTION Risk of damage!

### Set up device

- The ambient temperature affects the power consumption and proper functioning of the device. Therefore, the device should be placed in a well-ventilated and dry room with an ambient temperature corresponding to the climate class for which the device is designed.
- Do not place the device outdoors (e.g. balcony, terrace, garden shed, etc.).

**Do not use sharp knives or pointed objects when opening the device. Please observe the notes when setting up: “Tips for energy saving“**

### Remove the device doors

- If the unit does not fit through the apartment door, the unit doors can be unscrewed.

### ATTENTION

The unscrewing of the unit doors may only be carried out by the customer service.



## CAUTION Notes For Cleaning

### Disconnect the appliance from the power supply before cleaning.

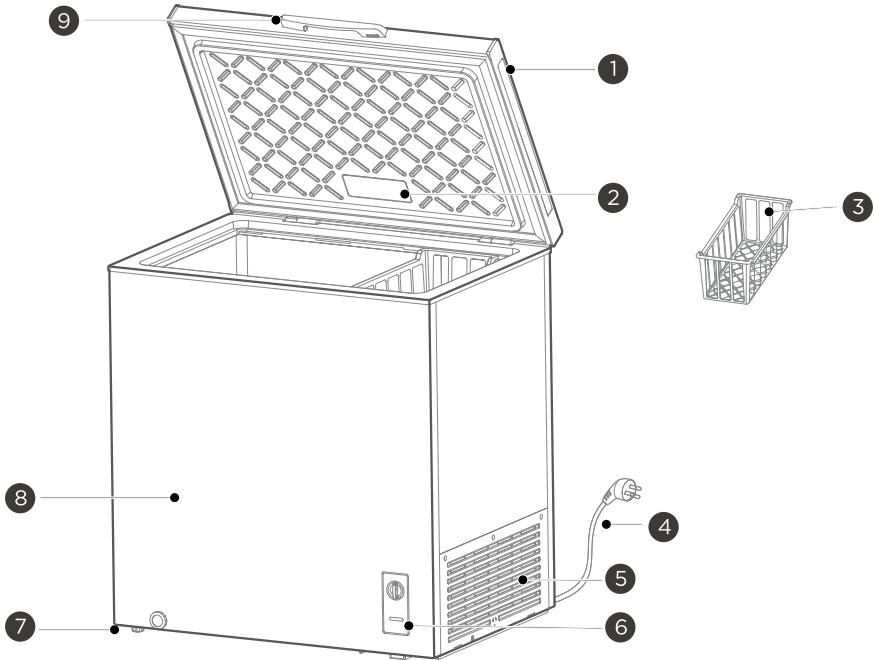
- Dust behind the product and on the floor must be cleaned to improve the cooling effect and energy saving.
- Check the door gasket regularly to make sure there is no debris. Clean the door gasket with a soft cloth dampened with soapy water or diluted detergent.
- The interior of the product should be cleaned regularly to avoid odors.
- Please turn off the power before cleaning the interior, remove all foods, drinks, shelves, drawers, etc.
- Use a soft cloth or sponge to clean the inside of the product, with two tablespoons of baking soda and a quart of warm water. Then rinse with water and wipe clean. After cleaning, open the door and let it dry naturally before turning on the power.
- For areas that are difficult to clean inside the product (such as narrow places, gaps or corners), we recommend to wipe them regularly with a soft rag, soft brush, etc. and when necessary, with some tools (such as thin sticks) to ensure no contaminants or bacterial accumulation in these areas.
- Do not use soap, detergent, scrub powder, spray cleaner, etc., as these may cause odors inside the product or contaminate food.
- Clean the door tray, shelves and drawers with a soft cloth dampened with soapy water or diluted detergent. Dry with a soft cloth or dry naturally.
- Wipe the outer surface of the product with a soft cloth dampened with soapy water, detergent, etc., and then wipe dry.
- Do not use hard brushes, scouring pads, wire brushes, abrasives (such as toothpaste), organic solvents (such as alcohol, acetone, banana oil, etc.), boiling water, acid or alkaline items, which may damage the fridge surface and interior. Boiling water and organic solvents such as benzene may deform or damage plastic parts.
- Do not rinse directly with water or other liquids during cleaning to avoid short circuit or affect electrical insulation after immersion.

# SPECIFICATIONS

<b>Product model</b>	<b>MRC10M5CWW</b>
Freezer Storage Volume	10.4cu.ft. (293L)
Rated Voltage	115V-
Rated Frequency	60Hz
Refrigerant,Amount	R600a,2.36oz(67g)
Product Dimension (W x D x H)	41.9x25.2x33.2 in

# PRODUCT OVERVIEW

## Names of components



1 Recessed handle

2 Lamp (optional)

3 Shelving basket (optional)

4 Power cord

5 Shutter

6 Temperature control panel

7 Levelling foot

8 Cabinet

9 Grip handle (handle holder-1;  
handle cover-1; screw-4 for using,  
4 for back up)

### ATTENTION

Images shown here are intended as examples only.

EN

# PRODUCT INSTALLATION

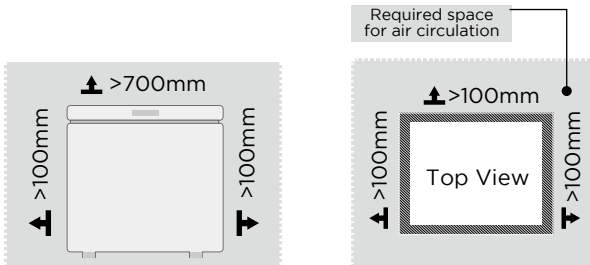
## Install Instruction

### Finding a suitable location

- This freezer is designed to be free standing only, and should not be recessed or built-in.
- The freezer should be placed in a well-ventilated indoor place; the ground shall be flat and sturdy .
- Keep away from heat and avoid direct sunlight. Do not place the freezer in moist or watery places to prevent rust or reduction of insulating effect.

### Dimensions and Clearances

- Too small of a distance from adjacent items may result in the degradation of freezing capability and increased electricity costs. Allow over 100 mm of clearance from each adjacent wall when installing the appliance.



### ATTENTION

The picture above is only for reference. The actual configuration will depend on the physical product or statement by the distributor.

### Providing a proper power supply

- Check your local power source. This freezer requires a **AC115 V, 60 Hz** power supply.
- Use a receptacle that accepts the grounding prong. The power cord is equipped with a 3-prong (grounding) plug which mates with a standard 3-prong (grounding) wall outlet to minimize the possibility of electric shock hazard from this freezer.

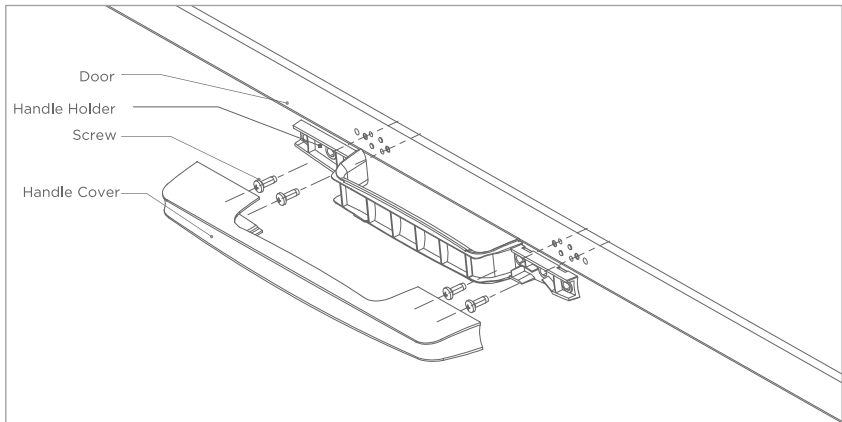
### CAUTION

The freezer should always be plugged into its own individual electrical outlet which has a voltage rating that matches the rating plate.

Never unplug your freezer by pulling on the power cord. Always grip the plug firmly and pull straight out from the outlet.

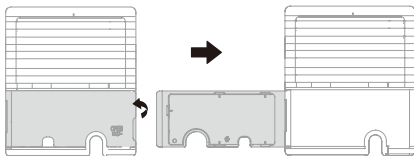
## Installing the grip handle

- Align the screw holes on the handle holder with those on the door;
- Use a screwdriver to install 4 screws in turn;
- Close the handle cover.



## Connecting the appliance

After installing the appliance, connect the power plug into a socket outlet.



1. Open the cover plate from the side with the tool.
2. Open the cover plate, take out the power cord, and then cover the cover plate.

### ● ATTENTION

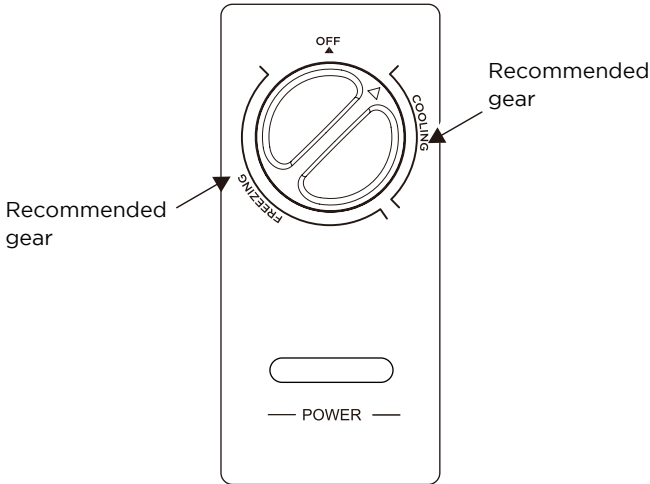
After connecting the power supply cord (or plug) to the outlet, wait 2 or 3 hours before you put food into the appliance. If you add food before the appliance has cooled completely, your food may spoil.

## Changing the light (optional)

- Any replacement or maintenance of the LED lamps is intended to be made by the manufacturer, its service agent or similar qualified person.

# OPERATION INSTRUCTIONS

## Control panel



- After power on the "POWER" indicator light will be light( green ).
- The area where the temperature controller knob points to "COOLING" is the refrigeration area, and "FREEZING" is the frozen area;
- When the temperature controller knob is turned clockwise, the temperature inside the freezer decreases;
- When the temperature controller knob is turned counterclockwise, the temperature inside the freezer increases;
- At the OFF position: turn off the freezer;
- Please refer to the schematic diagram to identify the "recommended gear".

( The picture above is only for reference. The actual configuration will depend on the physical product or statement by the distributor )



## Warnings for energy

1. Freezer might not operate consistently when sited for an extended period of time below the cold end of the range of temperatures for which the freezer appliance is designed.
2. The fact that effervescent drinks should not be stored in food freezer compartments or cabinets or in low-temperature compartments or cabinets, and that some products such as water ices should not be consumed too cold;
3. The need to not exceed the storage time recommended by the food manufacturers for any kind of food and particularly for commercially quick-frozen food in foodfreezer and frozen-food storage compartments or cabinets;
4. The precautions necessary to prevent an undue rise in the temperature of the frozen food while defrosting the refrigerating appliance, such as wrapping the frozen food in several layers of newspaper.
5. The fact that a rise in temperature of the frozen food during manual defrosting, maintenance or cleaning could shorten the storage life.
6. The necessity that, for doors or lids fitted with locks and keys, the keys be kept out of the reach of children and not in the vicinity of the freezer appliance, in order to prevent children from being locked inside.

## Energy saving tips

- The appliance should be located in the coolest area of the room, away from heat producing appliances or heating ducts, and out of the direct sunlight.
- Let hot foods cool to room temperature before placing in the appliance. Overloading the appliance forces the compressor to run longer. Foods that freeze too slowly may lose quality, or spoil.
- Be sure to wrap foods properly, and wipe containers dry before placing them in the appliance. This cuts down on frost build-up inside the appliance.
- Appliance storage bin should not be lined with aluminum foil, wax paper, or paper toweling. Liners interfere with cold air circulation, making the appliance less efficient.
- Organize and label food to reduce door openings and extended searches. Remove as many items as needed at one time, and close the door as soon as possible.

## Tips on storing food

- The low temperature of freezer may keep food fresh for a long time and it is mainly used to store frozen foods and making ice.
- The freezer is suitable for storage of meat, fish, shrimp, pastries class and other foods not to be consumed in short term. Do not store fluids in bottled or closed containers Items such as bottled beer, beverages, etc.
- It is not suitable to store bottled or closed containers of fluid items for a long time, if you want to store bottled or closed containers of fluid items, the stored items should not be close to the wall of the freezer.
- There is a certain deviation between the temperature inside the box and the actual setting temperature, which does not affect normal use.
- Please be noted food shall be consumed within the shelf time.
- The fast-freezing function is designed to maintain the nutritional of the food. It can quickly freeze the food in a short time. If a large amount of food need to be frozen at one time, it is recommended that users turn on the fast-freezing function 5 hours in advance. In this case, freezing speed of the freezer increases, it can quickly freeze food and effectively keep the food nutrition.

### ATTENTION

- After long term using, there maybe a certain degree of wear with the hinge, it will cause the noise when open/close the door and reduce the service life of hinge. It is recommended to put the grease on hinge for maintenance regularly, it can effectively eliminate noise and extend the service life of the hinge.
- The weight of the objects in the basket should not exceed 5 kg.
- If the product is packaged in thin film, there may be condensation on the surface of the box and the film when the temperature and humidity of the transportation environment change rapidly. This phenomenon is a normal physical phenomenon, does not affect the use of the product.

# CLEANING AND MAINTENANCE

Your freezer is designed for year-round use and requires minimal cleaning and maintenance. To keep your freezer running efficiently and odor free, we recommend that you clean the freezer regularly.

## Defrost

Freezer shall be manually defrosted.

- Unplug the freezer and open the freezer door, remove foods and shelving basket before defrosting; Open the outflow hole and drainage hole (and place water container at the outflow hole); indoor frost will naturally melt, wipe the defrost water with a dry, soft cloth. When the frost softens, an ice scraper might be used to the accelerate de-icing process.
- Please remove the food and put in a cool place when defrosting before removing accessories.

## Stop using

- Power failure: Foods can be preserved for a couple of hours even in summer in case of power failure; it is recommended to reduce the frequency of opening door and do not put fresh foods into the freezer.
- Long-time nonuse: Please unplug the freezer left unused for a long time for cleaning. Keep the door open to avoid the bad odor.
- Moving: Do not turn upside or vibrate the freezer, the carrying angle can not be greater than 45°. Do not hold the door and hinge when moving this unit.

### ATTENTION

- Other mechanical devices or other means shall not be used to accelerate except those recommended by the manufacturer. Do not damage the refrigerant circuit.
- Continuous operation is recommended when the freezer is started. Please do not stop the freezer under normal circumstances so as not to affect the freezer's service life.


# TROUBLESHOOTING

The following simple issues can be handled by the user. Please call the after-sale service department if the issues are not solved.

Problem	Possible reason
Not work	<ul style="list-style-type: none"> <li>• Whether the freezer is plugged and connected to power;</li> </ul>
	<ul style="list-style-type: none"> <li>• Low voltage</li> </ul>
	<ul style="list-style-type: none"> <li>• Whether temperature control knob is in the work area</li> </ul>
	<ul style="list-style-type: none"> <li>• Failure power or tripping circuit.</li> </ul>
Odor	<ul style="list-style-type: none"> <li>• Odorous foods should closely wrapped;</li> </ul>
	<ul style="list-style-type: none"> <li>• Check whether there is any rotten food</li> </ul>
	<ul style="list-style-type: none"> <li>• Whether the interior shall be cleaned.</li> </ul>
Long-term operation of compressor	<ul style="list-style-type: none"> <li>• It is normal that freezer operates for longer time in summer when the ambient temperature is higher;</li> </ul>
	<ul style="list-style-type: none"> <li>• Do not put too much food in the freezer at one time;</li> </ul>
	<ul style="list-style-type: none"> <li>• Do not put foods until they are cooled;</li> </ul>
	<ul style="list-style-type: none"> <li>• Frequent opening of freezer door;</li> </ul>
	<ul style="list-style-type: none"> <li>• Thick frost layer (defrost is needed).</li> </ul>
Light not work	<ul style="list-style-type: none"> <li>• Whether the freezer is connected to power, whether the light is damaged.</li> </ul>
Door can not be properly closed	<ul style="list-style-type: none"> <li>• The freezer door is stuck by food packages;</li> </ul>
	<ul style="list-style-type: none"> <li>• Too much food;</li> </ul>
	<ul style="list-style-type: none"> <li>• Unbalanced freezer.</li> </ul>

Problem	Possible reason
Loud noises	<ul style="list-style-type: none"> <li>• Whether the floor is flat, whether the placement of freezer is stable;</li> </ul>
	<ul style="list-style-type: none"> <li>• Whether the freezer accessories are properly placed.</li> </ul>
Transient difficulty in door opening	<ul style="list-style-type: none"> <li>• After refrigeration, there will be pressure difference between the inside and outside of the freezer to result in transient difficulty in door opening. This is a normal physical phenomenon.</li> </ul>
Over heat on sidewall	<ul style="list-style-type: none"> <li>• The freezer enclosure may emit heat during operation specially in summer, this is caused by the radiation of the condenser, and it is a normal phenomenon.</li> </ul>
Surface Condensation	<ul style="list-style-type: none"> <li>• Condensation: condensation phenomenon will be detected on the exterior surface and door seals of the freezer when the ambient humidity is high, this is a normal phenomenon, and the condensation can be wiped away with a dry towel.</li> </ul>
Airflow sound Buzz Clatter	<ul style="list-style-type: none"> <li>• Refrigerants circulating in the refrigerant lines will produce eruption of sound and grunts which is normal does not affect the cooling effect.</li> </ul>
	<ul style="list-style-type: none"> <li>• Buzz will be generated by running compressor specially when starting up or shutting down.</li> </ul>
	<ul style="list-style-type: none"> <li>• The solenoid valve or electric switch valve will clatter which is a normal phenomenon and does not affect the operation.</li> </ul>

# TRADEMARKS, COPYRIGHTS AND LEGAL STATEMENT

 Midea logo, word marks, trade name, trade dress and all versions thereof are valuable assets of Midea Group and/or its affiliates (“Midea”), to which Midea owns trademarks, copyrights and other intellectual property rights, and all goodwill derived from using any part of an Midea trademark. Use of Midea trademark for commercial purposes without the prior written consent of Midea may constitute trademark infringement or unfair competition in violation of relevant laws.

This manual is created by Midea and Midea reserves all copyrights thereof. No entity or individual may use, duplicate, modify, distribute in whole or in part this manual, or bundle or sell with other products without the prior written consent of Midea.

All the described functions and instructions were up to date at the time of printing this manual. However, the actual product may vary due to improved functions and designs.

# DISPOSAL AND RECYCLING

## Important instructions for environment

Compliance with the WEEE Directive and Disposing of the Waster Product: This product complies with EU WEEE Directive (2012/19/EU). This product bears a classification symbol for waster electrical and electronic equipment (WEEE).

This symbol indicates that this product shall not be disposed with other household wastes at the end of its service life. Used device must be returned to official collection point for recycling of electrical electronic devices. To find these collection systems please contact to your local authorities or retailer where the product was purchased. Each household performs important role in recovering and recycling of old appliance. Appropriate disposal of used appliance helps prevent potential negative consequences for the environment and human health.



## Compliance with RoHS Directive

The product you have purchased complies with EU RoHS Directive (2011/65/EU). It does not contain harmful and prohibited materials specified in the Directive.

EN

## Package information

Packaging materials of the product are manufactured from recyclable materials in accordance with our National Environment Regulations. Do not dispose of the packaging materials together with the domestic or other wastes. Take them to the packaging material collection points designated by the local authorities.



# DATA PROTECTION NOTICE

For the provision of the services agreed with the customer, we agree to comply without restriction with all stipulations of applicable data protection law, in line with agreed countries within which services to the customer will be delivered, as well as, where applicable, the EU General Data Protection Regulation (GDPR).

Generally, our data processing is to fulfil our obligation under contract with you and for product safety reasons, to safeguard your rights in connection with warranty and product registration questions. In some cases, but only if appropriate data protection is ensured, personal data might be transferred to recipients located outside of the European Economic Area.

Further information are provided on request. You can contact our Data Protection Officer via **MideaDPO@midea.com**. To exercise your rights such as right to object your personal date being processed for direct marketing purposes, please contact us via **MideaDPO@midea.com**. To find further information, please follow the QR Code.



# WARRANTY

## **MIDEA FREEZER LIMITED WARRANTY**

### **ATTACH YOUR RECEIPT HERE. PROOF OF PURCHASE IS REQUIRED TO OBTAIN WARRANTY SERVICE.**

Please have the following information available when you call the Customer Service Center:

- Name, address and telephone number
- Model number and serial number
- A clear, detailed description of the problem
- Proof of purchase including dealer or retailer name and address

### **IF YOU NEED SERVICE:**

1. Before contacting us to arrange service, please determine whether your product requires repair. Some questions can be addressed without service. Please take a few minutes to review the Troubleshooting section of the User Manual, or visit <http://us.Midea.com/support>
2. All warranty service is provided exclusively by our authorized Midea Service Providers, in the U.S. and Canada.

#### **Midea Customer Service**

**In the U.S.A. or Canada, call 1-866-646-4332.**

If outside the 50 States of the United States or Canada, contact your authorized Midea dealer to determine whether another warranty applies.

## **1 YEAR PARTS AND LABOR, 10 YEAR COMPRESSOR PARTS**

### **WHAT IS COVERED**

#### **FIRST YEAR LIMITED WARRANTY (PARTS AND LABOR)**

Midea will repair or replace, without charge, any defects due to faulty materials or workmanship for one full year from the date of purchase. For further detail of warranty coverage and warranty repair information, visit [www.midea.com](http://www.midea.com) or call **1-866-646-4332**.

#### **TEN YEAR WARRANTY COMPRESSOR ONLY - LABOR NOT INCLUDED**

In the second through tenth years from the date of original purchase, when this major appliance is installed, operated and maintained according to instructions attached to or furnished with the product, Midea will pay for factory parts to replace the compressor if it fails and prevents an essential function of this major appliance that existed when this major appliance was purchased. This is a 10-year warranty on the parts only and does not include repair labor.

#### **Consumer will be responsible for:**

- Diagnostics, removal, transportation and reinstallation cost required because of service.
- Costs of service calls that are a result of items listed under **NORMAL RESPONSIBILITIES OF THE CONSUMER\*\***

#### **NORMAL RESPONSIBILITIES OF THE CONSUMER\*\***

**This warranty applies only to products in ordinary household use, and the consumer is responsible for the items listed below:**

1. Proper use of the appliance in accordance with the instructions provided with the product.
2. Routine maintenance and cleaning necessary to keep the good working condition.
3. Proper installation by an authorized service professional in accordance with instructions provided with the appliance and in accordance with all local plumbing, electrical and / or gas codes.
4. Proper connection to a grounded power supply of sufficient voltage, replacement of blown fuses, repair of loosened connections or defects in house wiring.
5. Expenses for making the appliance accessible for servicing.
6. Damages to finish after installation.

YOUR SOLE AND EXCLUSIVE REMEDY UNDER THIS LIMITED WARRANTY SHALL BE PRODUCT REPAIR OR REPLACEMENT AS PROVIDED HEREIN. Service must be provided by a Midea designated service company. This limited warranty is valid only in the 50 States of the United States or Canada and applies only when the major appliance is used in the country in which it was purchased. This limited warranty is effective from the date of original consumer purchase. Proof of original purchase date is required to obtain service under this limited warranty.

## WHAT IS NOT COVERED

1. Failure caused by damage to the unit while in your possession (other than damage caused by defect or malfunction), by its improper installation, or by unreasonable use of the product, including without limitation, failure to provide reasonable and necessary maintenance or to follow the written Installation and Instruction Manual.
2. Products purchased "as-is" or refurbished are not covered by this warranty.
3. Food loss caused by refrigerator or freezer failure.
4. Service calls to repair or replace consumables such as water filters, light bulbs, air filters etc., or handles, knobs and other cosmetic parts.
5. Product that has been transferred from its original owner.
6. Interior or exterior rust on the unit.
7. Damages caused by services performed by persons other than authorized Midea servicers; use of parts other than Midea replacement parts; obtained from persons other than such Midea customer service; or external causes such as abuse, misuse, inadequate power supply or acts of God.
8. Service calls resulting from improper installation of your product.
9. Service calls to instruct you on the use of your product.
10. Surcharges including, but not limited to, any after hour, weekend, or holiday service calls, tolls, ferry trip charges, or mileage expense for service calls to remote areas, including the state of Alaska.
11. If the unit is put to commercial, business, rental, or other use or application other than for consumer use, we make no warranties, express or implied, including but not limited to, any implied warranty of merchantability or fitness for particular use or purpose.
12. Product that has been removed outside the USA or Canada.
13. Products without original serial numbers or products that have serial numbers which have been altered or cannot be readily determined.

**NOTE:** Some states do not allow the exclusion or limitation of incidental or consequential damages. So this limitation or exclusion may not apply to you.

**The cost of repair or replacement under these excluded circumstances shall be borne by the customer.**

---

### DISCLAIMER OF IMPLIED WARRANTIES

IMPLIED WARRANTIES, INCLUDING ANY IMPLIED WARRANTY OF MERCHANTABILITY OR IMPLIED WARRANTY OF FITNESS FOR A PARTICULAR PURPOSE, ARE LIMITED TO ONE YEAR OR THE SHORTEST PERIOD ALLOWED BY LAW. Some states and provinces do not allow limitations on the duration of implied warranties of merchantability or fitness, so this limitation may not apply to you. This warranty gives you specific legal rights, and you also may have other rights that vary from state to state or province to province.

---

### DISCLAIMER OF REPRESENTATIONS OUTSIDE OF WARRANTY

Midea makes no representations about the quality, durability, or need for service or repair of this major appliance other than the representations contained in this warranty. If you want a longer or more comprehensive warranty than the limited warranty that comes with this major appliance, you should ask Midea or your retailer about buying an extended warranty.

---

### LIMITATION OF REMEDIES; EXCLUSION OF INCIDENTAL AND CONSEQUENTIAL DAMAGES

YOUR SOLE AND EXCLUSIVE REMEDY UNDER THIS LIMITED WARRANTY SHALL BE PRODUCT REPAIR AS PROVIDED HEREIN. MIDEA SHALL NOT BE LIABLE FOR INCIDENTAL OR CONSEQUENTIAL DAMAGES. Some states and provinces do not allow the exclusion or limitation of incidental or consequential damages, so these limitations and exclusions may not apply to you. This warranty gives you specific legal rights, and you also may have other rights that vary from state to state or province to province.

05/19



*make yourself at home*



[www.midea.com](http://www.midea.com)

© Midea 2022 all rights reserved