



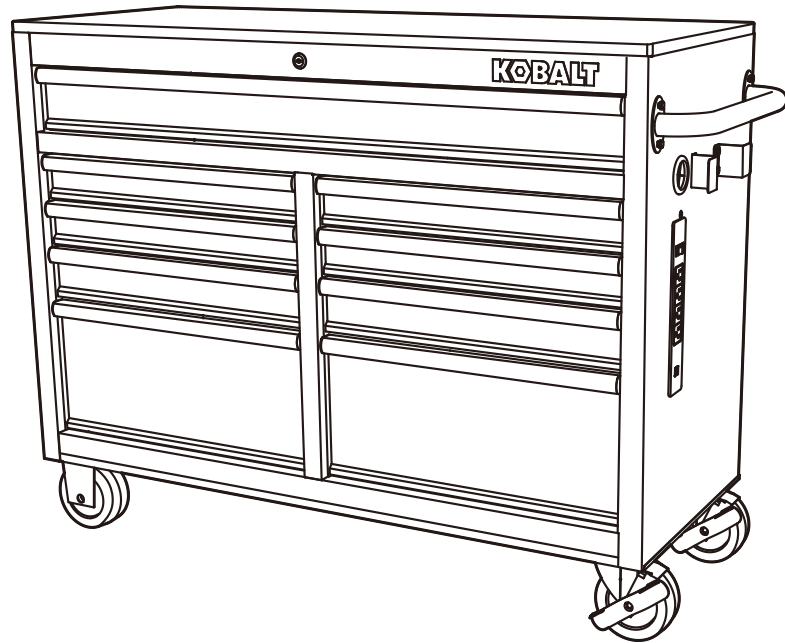
ITEM #5215654/5215659/5215664/5215669/  
5215674/6572174/7790674/7790675  
MODEL #19207/19212/19217/19222/  
19227/19243/19318/19319

# 9-DRAWER MOBILE WORKSTATION

KOBALT and logo design are trademarks or registered trademarks of LF, LLC. All rights reserved.

Español p. 13

ATTACH YOUR RECEIPT HERE



Serial Number \_\_\_\_\_

Purchase Date \_\_\_\_\_

Thank you for purchasing this KOBALT product.  
Questions, problems or missing parts?  
Before returning, contact us on:  
**888-3KOBALT (888-356-2258)**, 8 a.m. - 8 p.m., EST, Monday - Sunday or  
[ascs@lowes.com](mailto:ascs@lowes.com).

DF25420

## TABLE OF CONTENTS

Product Specifications .....	2
Package Contents.....	3
Hardware Contents.....	4
Safety Information.....	5
Preparation .....	6
Assembly Instructions.....	7
Operating Instructions .....	9
Care and Maintenance.....	10
Warranty .....	10
Replacement Parts List .....	11

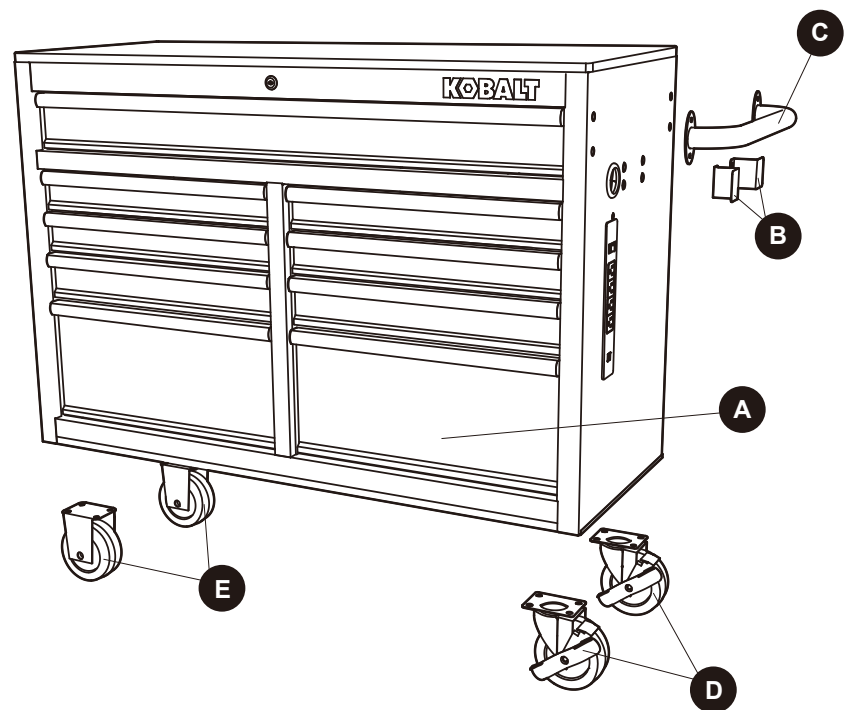
## PRODUCT SPECIFICATIONS

COMPONENTS	SPECIFICATIONS
Maximum drawer capacity	100 lbs.
Maximum wood top capacity	100 lbs.
Maximum total capacity	1200 lbs.
Maximum output of power strip	1875 watts
USB Current	5V DC 2.1A

**Note:** Specify the item number when ordering the product due to the different colors:

COLOR	ITEM #	MODEL #
Black	5044810	19045
Blue	5215654	19207
White	5215659	19212
Red	5215664	19217
Green	5215669	19222
Gray	5215674	19227
Blue/Black	6572176	19246
Pink	6572174	19243
Lavender	7790674	19318
Teal	7790675	19319

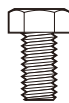
**PACKAGE CONTENTS**



PART	DESCRIPTION	QUANTITY
A	Tool cabinet	1
B	Cord storage bracket	2
C	Cabinet handle	1
D	Swivel caster with brake	2
E	Fixed caster	2

**HARDWARE CONTENTS (shown actual size)**

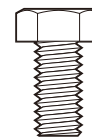
AA



M6 x 20 mm Bolt

Qty. 8+1

BB



M8 x 25 mm Bolt

Qty. 16+2

CC



Spring Washer

Qty. 16+2

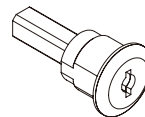
DD



Washer

Qty. 16+2

EE



Lock  
(Preassembled to cabinet)  
Qty. 1

FF



Key  
(Preassembled to lock mechanism)  
Qty. 2

## SAFETY INFORMATION

Please read and understand this entire manual before attempting to assemble or operate this product. Failure to follow may result in serious injury. Save all warnings and instructions for future reference.

### WARNING

- Do not stand or step on this product. You may fall which may cause personal injury or product damage.
- When locking the product, close the drawers completely in order for the lock bar to work properly.
- Lock wheels when the product is not being moved.
- Secure this product properly before moving it with a forklift.
- Do not attach or mount this product to a vehicle. This may cause personal injury or product damage.

### CAUTION

- Do not exceed the maximum drawer weight, wood top or total product weight, including contents. Always balance the loads to avoid tipping. Place the heavier weights on the bottom drawers when possible.
- Be careful when opening more than one drawer. The product may become unstable and tip, which may also cause personal injury or product damage.
- Keep the product on level surfaces. The product may become unstable and tip if stored or moved on an unlevel surface, which may cause personal injury or product damage.
- Secure all items and lock all drawers before rolling this product. Only roll the product short distances by using the handle provided.
- Two people are needed to safely move this unit.
- Do not store liquids in the unit unless they are secured in an approved container.
- Keep children and bystanders away while loading, unloading, and moving the product.
- Always use common sense and be cautious when using this product. Do not modify this product in any way.
- Follow all below information for extension cord:  
Do not insert extension cord through hole without grommet in place.  
Only use a three-wire extension cord with all three prongs intact. Never remove the round grounding prong.  
Extension cord must be connected to a 125Volt GFCI protected outlet with proper ground. If GFCI outlet is not available, use an extension cord with GFCI protection built in.  
Check the insulation and plugs of extension cord before using. Do NOT use cord if it is worn or damaged.  
Do not overload extension cord.  
Remove extension cord from the hole before moving or transporting the product.  
Do not connect extension cord to outlet that also supplies critical safety equipment with power.  
Make sure the power supply cord is unplugged before any servicing or cleaning.

## SAFETY INFORMATION

- Follow all below information to avoid electrical shock hazard:  
Do not plug cord into outlet with wet hands.  
Do not use this product near a bathtub, a shower, or a swimming pool.  
Product plugs must match the outlet.  
Never modify the plug in any way.  
Do not use any adapter plugs with earth (grounded) product power strips.  
Unmodified plugs and matching outlets will reduce the risk of electric shock.  
Avoid body contact with earthed or grounded surfaces. There is an increased risk of electric shock if your body is earthed or grounded.

**CAUTION: RISK OF ELECTRICAL SHOCK:** This unit has the power supply cord. Make sure all cords are unplugged before any servicing or cleaning.

- Refer all below information for FCC rules:  
This device complies with part 15 of the FCC Rules. Operation is subject to the following two conditions: (1) This device may not cause harmful interference, and (2) this device must accept any interference received, including interference that may cause undesired operation.

**Note:** This equipment has been tested and found to comply with the limits for a Class B digital device, pursuant to part 15 of the FCC Rules. These limits are designed to provide reasonable protection against harmful interference in a residential installation. This equipment generates, uses and can radiate radio frequency energy and, if not installed and used in accordance with the instructions, may cause harmful interference to radio communications. However, there is no guarantee that interference will not occur in a particular installation. If this equipment does cause harmful interference to radio or television reception, which can be determined by turning the equipment off and on, the user is encouraged to try to correct the interference by one or more of the following measures:

- Reorient or relocate the receiving antenna.
- Increase the separation between the equipment and receiver.
- Connect the equipment into an outlet on a circuit different from that to which the receiver is connected.
- Consult the dealer or an experienced radio/TV technician for help.

**CAUTION:** Changes or modifications not expressly approved by the party responsible for compliance could void the user's authority to operate the equipment.

### PREPARATION

Before beginning assembly of product, make sure all parts are present. Compare parts with package contents list and hardware contents list. If any part is missing or damaged, do not attempt to assemble the product.

**Estimated Assembly Time: 20 minutes (does not include unpacking time)**

Tools Required for Assembly (included): 10 mm Wrench, 14 mm Wrench

Tools Required for Assembly (not included): Adjustable wrench

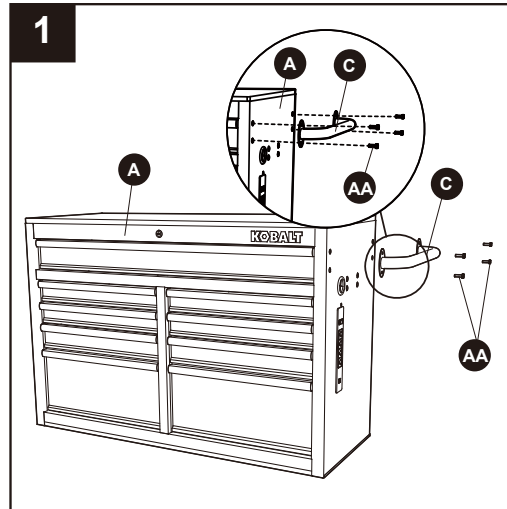
## ASSEMBLY INSTRUCTIONS

1. Attach the cabinet handle (C) to the tool cabinet (A) using M6 x 20 mm bolts (AA) and tighten with supplied 10 mm wrench.

**Note:** The cabinet handle (C) can be attached to either side of the tool cabinet (A), but must match the end where the swivel casters with brake (D) will be installed. The holes in tool cabinet (A) are tapped and do not require nuts.

### Hardware Used

**AA** M6 x 20 mm Bolt  x 4

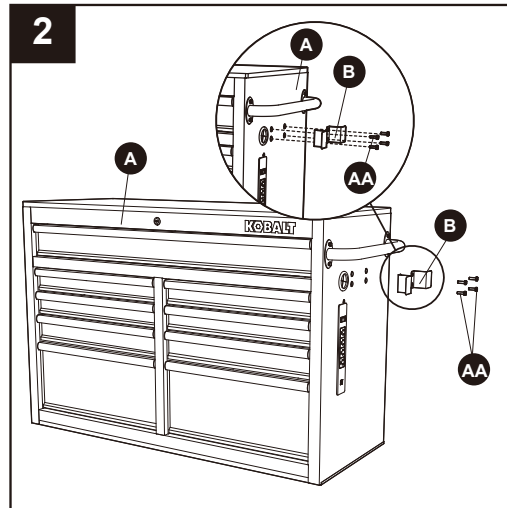


2. Attach the cord storage brackets (B) to the tool cabinet (A) holes with two M6 x 20 mm bolts (AA) per bracket, and tighten with supplied 10 mm wrench.

**Note:** Orient the brackets with one pointed left and the other pointed right so that the power outlet cord can be wrapped around the brackets for storage.

### Hardware Used

**AA** M6 x 20 mm Bolt  x 4



## ASSEMBLY INSTRUCTIONS


3. Ensure all cabinet drawers are securely locked into place using the lock (EE) and key (FF) on the tool cabinet (A). Lay the tool cabinet (A) on its back using the cardboard package materials to protect the finish. Mount the two swivel casters with brake (D) to the tool cabinet (A) using M8 x 25 mm bolts (BB), spring washer (CC) and washer (DD). Repeat this process for the fixed casters (E) on the opposite side of the tool cabinet (A). Return the tool cabinet (A) to its upright position.

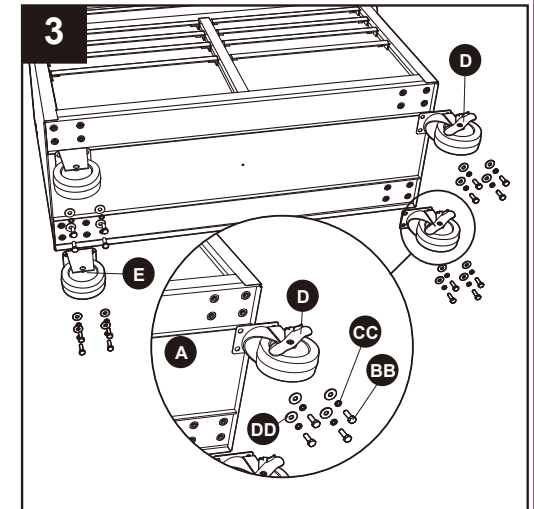
**Note:** Two people may be required to complete this installation. The swivel casters with brake (D) must be installed on the end of the tool cabinet (A) with the cabinet handle (C). Do not over tighten the screws.

### Hardware Used

**BB** M8 x 25 mm Bolt  x 16

**DD** Washer  x 16

**CC** Spring Washer  x 16

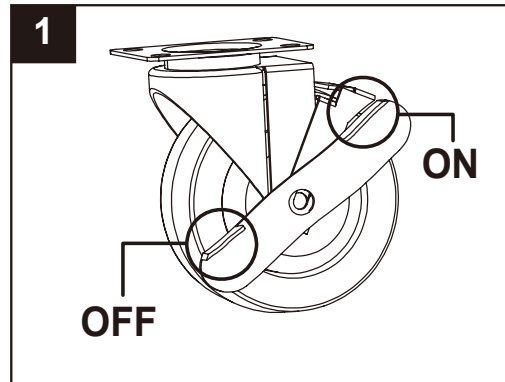


## OPERATING INSTRUCTIONS

### 1. Using the caster brakes:

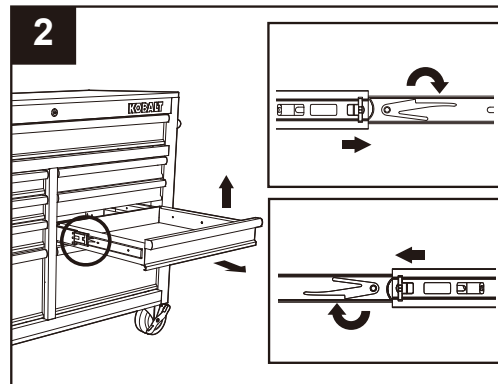
To lock the swivel casters, step down on the levers marked with ON. To unlock casters, push down on the levers marked with OFF.

**Note:** Be sure to lock both casters to prevent cabinet from rolling or swiveling.



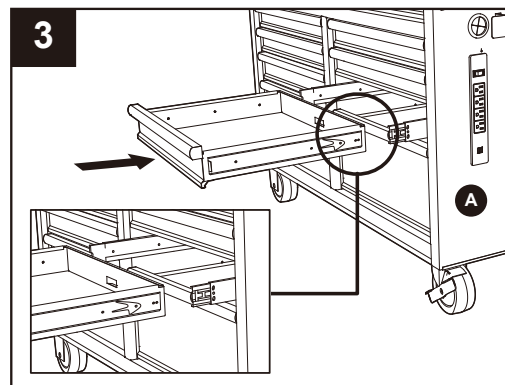
### 2. Removing the drawers:

Fully empty and extend the drawer. Push up the release lever on the one side of drawer slide while pulling down on the other release lever. Pull the drawer outward until it is released from the slides.



### 3. Re-inserting the drawers:

Pull the slides and slide carrier out until fully extended. Hold the slide on the tool cabinet (A) while aligning it with the slide on the drawer. Slightly insert one side and repeat for the other side. Slowly push the drawer until it is fully closed to engage the slide. Open and close the drawer to verify proper operation.



## CARE AND MAINTENANCE

- Keep the product in good repair by adopting a regular maintenance program.
- The use of drawer liners (included) is recommended to protect the finish inside the drawers and make the drawers easier to clean.
- Grease the casters annually using high quality bearing grease.
- Lubricate the slides semi-annually with general purpose grease or equivalent.
- Periodically clean the drawer fronts, drawer trim, and other surfaces with a mild detergent and water.
- Remove grease and oil with a standard nonflammable cleaning fluid.

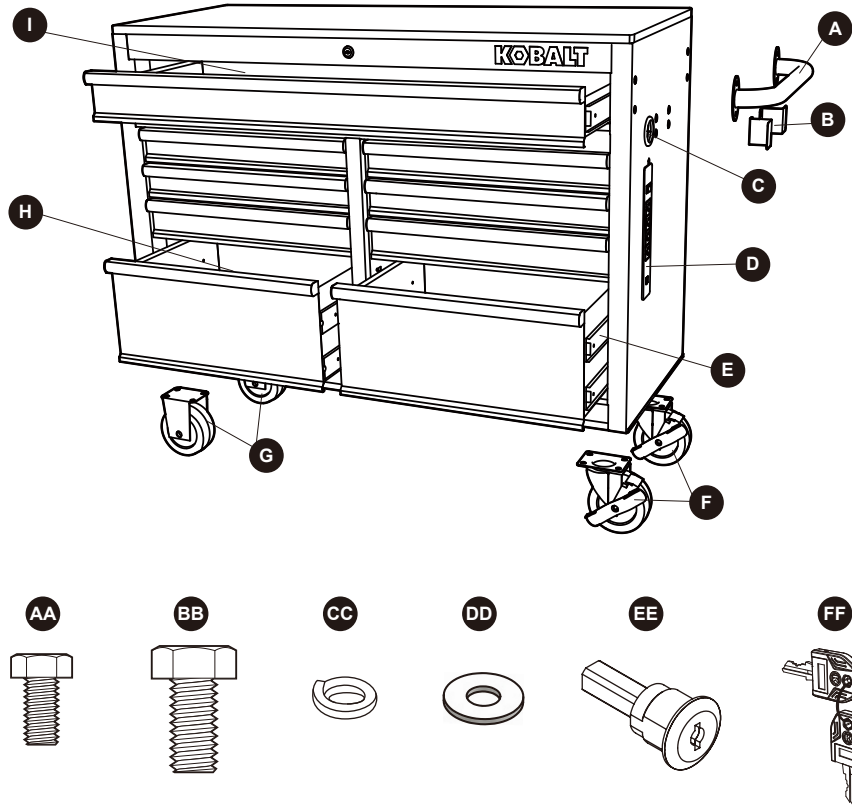
## 3-YEAR HASSLE-FREE WARRANTY

For 3 years from the date of purchase, this product is warranted for the original purchaser to be free from defects in material and workmanship. This guarantee does not cover damage due to abuse, normal wear, improper maintenance, neglect, unauthorized repair/alteration, or expendable parts and accessories expected to become unusable after a reasonable period of use.

If you think your product meets the above guarantee criteria, please call our customer service department at **888-3KOBALT (888-356-2258)**, 8 a.m. - 8 p.m., EST, Monday - Sunday. You could also contact us at [ascs@lowes.com](mailto:ascs@lowes.com), or return the item to the place of purchase with a copy of the original sales receipt. The distributor will, at its option, repair or replace the product. This warranty gives you specific legal rights, and you may also have other rights that vary from state to state.

## REPLACEMENT PARTS LIST

For replacement parts, call our customer service department at 888-3KOBALT (888-356-2258), 8 a.m. - 8 p.m., EST, Monday - Sunday. You could also contact us at [ascs@lowes.com](mailto:ascs@lowes.com).



## REPLACEMENT PARTS LIST

PART	DESCRIPTION	PART #	WARRANTY
A	Cabinet handle	5044810-A	YES
B	Cord storage bracket	5044810-B	YES
C	Rubber grommet	5044810-C	YES
D	Power strip	5044810-D	YES
E	Drawer slide	5044810-E	YES
F	Swivel caster with brake	5044810-SC	YES
G	Fixed caster	5044810-FC	YES
H	Drawer liner	5044810-H	YES
I	Big drawer liner	5044810-I	YES
AA	M6 x 20 mm Bolt	5044810-HDWR	YES
BB	M8 x 25 mm Bolt	5044810-HDWR	YES
CC	Spring washer	5044810-HDWR	YES
DD	Washer	5044810-HDWR	YES
EE	Lock	5044810-LK	YES
FF	Key	5044810-LK	YES

**Note:** Some parts are not interchangeable because of different colors. Specify part number when ordering:

COLOR	ITEM #	DESCRIPTION	PART #	WARRANTY
Blue	5215654	Cabinet handle	5215654-A	YES
White	5215659	Cabinet handle	5215659-A	YES
Red	5215664	Cabinet handle	5215664-A	YES
Green	5215669	Cabinet handle	5215669-A	YES
Gray	5215674	Cabinet handle	5215674-A	YES
Pink	6572174	Cabinet handle	6572174-A	YES
Lavender	7790674	Cabinet handle	7790674-A	YES
Teal	7790675	Cabinet handle	7790675-A	YES
Blue	5215654	Cord storage bracket	5215654-B	YES
White	5215659	Cord storage bracket	5215659-B	YES
Red	5215664	Cord storage bracket	5215664-B	YES
Green	5215669	Cord storage bracket	5215669-B	YES
Gray	5215674	Cord storage bracket	5215674-B	YES
Pink	6572174	Cord storage bracket	6572174-B	YES
Lavender	7790674	Cord storage bracket	7790674-B	YES
Teal	7790675	Cord storage bracket	7790675-B	YES

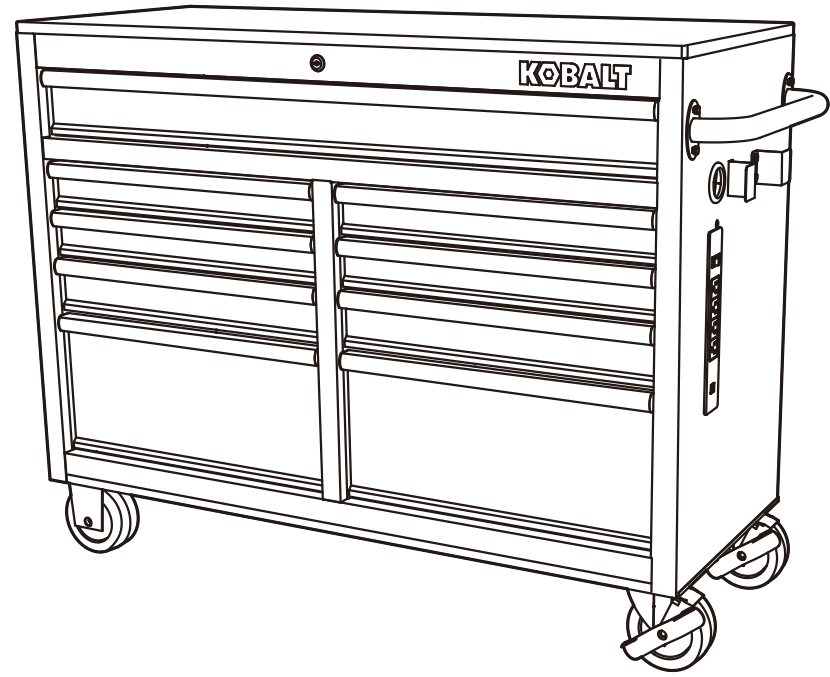


ARTÍCULO #5215654/5215659/5215664/5215669/  
5215674/6572174/7790674/7790675  
MODELO #19207/19212/19217/19222/  
19227/19243/19318/19319

KOBALT y el diseño del logotipo son marcas comerciales o marcas registradas de LF, LLC. Todos los derechos reservados.

# ESTACIÓN DE TRABAJO MÓVIL DE 9 GAVETAS

ADJUNTE SU RECIBO AQUÍ



Número de serie \_\_\_\_\_

Fecha de compra \_\_\_\_\_

Gracias por comprar este producto KOBALT.  
¿Preguntas, problemas o piezas faltantes?  
Antes de devolver, contáctenos en:  
**888-3KOBALT (888-356-2258)**, de lunes a domingo de 8 a.m. a 8 p.m., hora estándar del Este, o escriba a [ascs@lowes.com](mailto:ascs@lowes.com).

DF25420

## INDICE

Especificaciones del producto.....	14
Contenido del paquete.....	15
Aditamentos.....	16
Información de seguridad.....	17
Preparación .....	18
Instrucciones de ensamblaje.....	19
Instrucciones de funcionamiento .....	21
Cuidado y mantenimiento .....	22
Garantía .....	22
Lista de piezas de repuesto .....	23

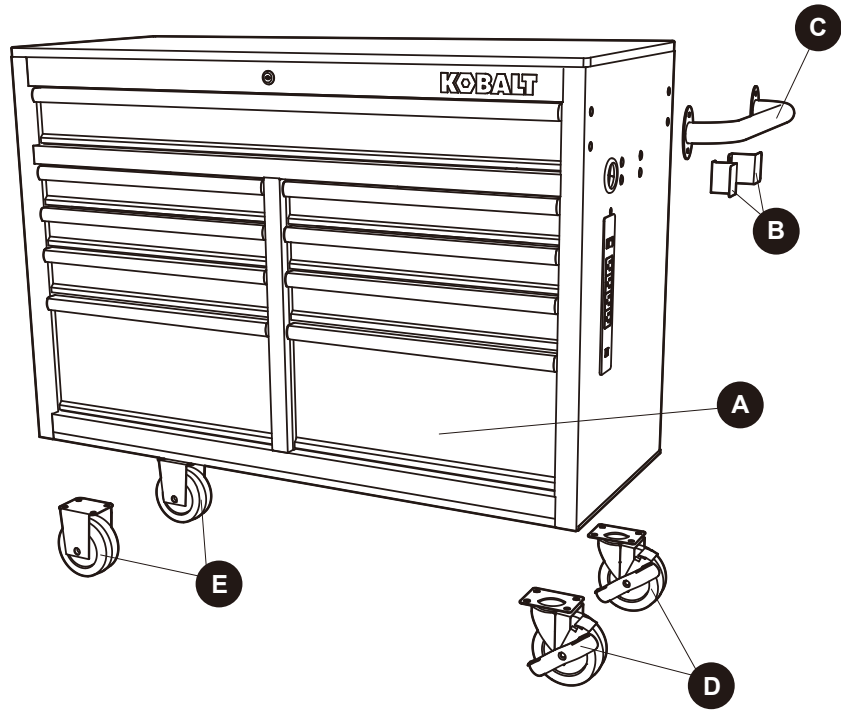
## ESPECIFICACIONES DEL PRODUCTO

COMPONENTES	ESPECIFICACIONES
Capacidad máxima por gaveta	45.35 kg
Máxima capacidad superior de madera	45.35 kg
Capacidad total máxima	544.31 kg
Salida máxima de la regleta	1875 vatios
Corriente USB	5 V CC 2.1 A

**Nota:** especifique el número de artículo al pedir el producto debido a los diferentes colores:

COLOR	ARTÍCULO #	MODELO #
Negro	5044810	19045
Azul	5215654	19207
Blanco	5215659	19212
Rojo	5215664	19217
Verde	5215669	19222
Gris	5215674	19227
Azul/Negro	6572176	19246
Rosada	6572174	19243
Lavanda	7790674	19318
Verde azulado	7790675	19319

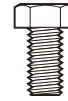
**CONTENIDO DEL PAQUETE**



PIEZA	DESCRIPCIÓN	CANTIDAD
A	Gabinete de herramientas	1
B	Soporte de almacenamiento del cable	2
C	Manija del gabinete	1
D	Rueda giratoria con freno	2
E	Rueda fija	2

**ADITAMENTOS (se muestran en tamaño real)**

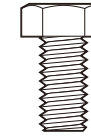
AA



Perno  
M6 x 20 mm

Cant. 8+1

BB



Perno  
M8 x 25 mm

Cant. 16+2

CC



Arandela de  
resorte

Cant. 16+2

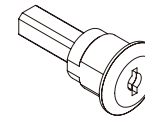
DD



Arandela

Cant. 16+2

EE



Cerradura  
(Preensablada en el gabinete)

Cant. 1

FF



Llave  
(Preensablada en el  
mecanismo de bloqueo)

Cant. 2

## ! INFORMACIÓN DE SEGURIDAD

Lea y comprenda completamente este manual antes de intentar ensamblar u operar este producto. No seguirlo podría provocar lesiones serias. Guarde todas las advertencias e instrucciones para referencia futura.

## ! ADVERTENCIA

- No se pare o suba sobre este producto; de lo contrario podría caerse y tener lesiones personales o dañar el producto.
- Al bloquear el producto, cierre las gavetas por completo para que las barras de bloqueo funcionen correctamente.
- Bloquee las ruedas cuando no desee mover el producto.
- Asegure este producto correctamente antes de moverlo con un montacargas.
- No conecte ni monte este producto en un vehículo. Esto podría causar lesiones personales o daños al producto.

## PRECAUCIÓN

- No exceda el peso máximo de la gaveta, la parte superior de madera o el peso total del producto, incluido el contenido. Siempre equilibre las cargas para evitar vuelcos. Coloque los pesos mayores en las gavetas inferiores cuando sea posible.
- Tenga cuidado cuando abra más de una gaveta, ya que el producto puede ser inestable y volcarse, lo que también puede causar lesiones personales o daños al producto.
- Mantenga el producto en superficies niveladas. El producto puede volverse inestable y volcarse si se almacena o desplaza sobre una superficie desnivelada, lo que puede causar lesiones personales o daños al producto.
- Asegure todos los artículos y bloquee todas las gavetas antes de hacer rodar este producto. Solo haga rodar el producto distancias cortas utilizando la manija provista.
- Se necesitan dos personas para mover con seguridad esta unidad.
- No almacene líquidos inflamables en la unidad a menos que estén asegurados en un envase aprobado.
- Mantenga alejados a los niños y transeúntes mientras carga, descarga y mueve el producto.
- Siempre use el sentido común y tenga cuidado al usar este producto. No modifique este producto de ninguna manera.
- Siga toda la información a continuación para la extensión eléctrica:  
No inserte la extensión eléctrica a través del orificio sin la arandela en su lugar.  
Utilice únicamente una extensión eléctrica de tres hilos con las tres clavijas intactas. Nunca retire la clavija redonda de puesta a tierra.  
La extensión eléctrica debe conectarse a un tomacorriente protegido con GFCI de 125 voltios con una puesta a tierra adecuada. Si el tomacorriente con GFCI no está disponible, use una extensión eléctrica con protección GFCI incorporada.  
Verifique el aislamiento y los enchufes de la extensión eléctrica antes de usar. NO use el cable si está desgastado o dañado.  
No sobrecargue la extensión eléctrica.  
Retire la extensión eléctrica del orificio antes de mover o transportar el producto.  
NO conecte la extensión eléctrica al tomacorriente que también suministra energía a equipos críticos de seguridad.  
Asegúrese de que el cable de alimentación esté desconectado antes de realizar cualquier servicio o limpieza.

## ! INFORMACIÓN DE SEGURIDAD

- Siga toda la información a continuación para evitar el riesgo de descarga eléctrica:  
No enchufe el cable en el tomacorriente con las manos mojadas.  
No use este producto cerca de una bañera, ducha o piscina.  
Los enchufes del producto deben encajar en el tomacorriente.  
No modifique el enchufe de ninguna manera.  
No utilice ningún enchufe adaptador con las regletas del producto con puesta a tierra.  
Los enchufes sin modificaciones y que encajan en el tomacorriente reducen el riesgo de descarga eléctrica.  
Evite el contacto del cuerpo con superficies puestas a tierra. Existe un riesgo adicional de descarga eléctrica si su cuerpo tiene conexión a tierra.  
**PRECAUCIÓN: RIESGO DE DESCARGA ELÉCTRICA:** esta unidad cuenta con un cable de suministro de electricidad. Asegúrese de que todos los cables estén desenchufados antes de realizar cualquier tarea de mantenimiento o limpieza.

- Consulte toda la información a continuación para conocer las normas de la FCC:  
Este dispositivo cumple con la sección 15 de las reglas de la FCC. El funcionamiento está sujeto a las siguientes dos condiciones: (1) este dispositivo no debe causar interferencia perjudicial y (2) debe aceptar cualquier interferencia recibida, incluida la interferencia que pudiese causar un funcionamiento no deseado.  
**Nota:** este equipo se probó y se verificó que cumple con los límites para un dispositivo digital de clase B, conforme a la sección 15 de las reglas de la FCC. Estos límites están diseñados para proporcionar protección razonable contra interferencias perjudiciales en una instalación residencial. Este equipo genera, utiliza y puede irradiar energía de radiofrecuencia y, si no se instala y se usa de acuerdo con las instrucciones, puede causar interferencia perjudicial para las comunicaciones de radio. Sin embargo, no se garantiza que no se producirán interferencias en una instalación en especial. Si este equipo causa interferencia perjudicial a la recepción de radio o televisión, lo que se puede determinar al encender y apagar el equipo, se recomienda al usuario que intente corregir la interferencia con una o más de las siguientes medidas:
  - Reoriente o reubique la antena de recepción.
  - Aumente la separación entre el equipo y el receptor.
  - Conecte el equipo a un tomacorriente de un circuito distinto al que usa el receptor.
  - Solicite ayuda al distribuidor o a un técnico con experiencia en radio/TV.**PRECAUCIÓN:** los cambios o las modificaciones que no estén expresamente aprobados por la parte responsable del cumplimiento podrían anular la autorización del usuario para utilizar el equipo.

## PREPARACIÓN

Antes de comenzar a ensamblar el producto, asegúrese de tener todas las piezas. Compare las piezas con la lista del contenido del paquete y la lista de aditamentos. No intente ensamblar el producto si falta alguna pieza o si estas están dañadas.

**Tiempo estimado de ensamblaje: 20 minutos (no incluye el tiempo de desensamblaje)**

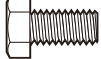
Herramientas necesarias para el ensamblaje (se incluyen): llave inglesa de 10 mm, llave inglesa de 14 mm  
Herramientas necesarias para el ensamblaje (no se incluyen): llave ajustable

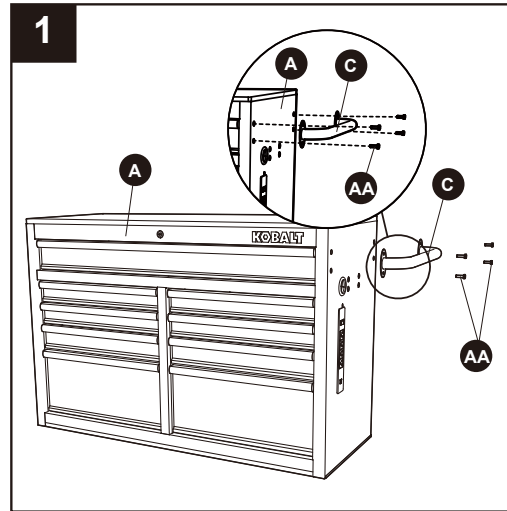
## INSTRUCCIONES DE ENSAMBLAJE

1. Fije la manija del gabinete (C) al gabinete para herramientas (A) con pernos M6 x 20 mm (AA) y apriete con la llave de 10 mm suministrada.

**Nota:** la manija del gabinete (C) se puede unir a cada lado del gabinete para herramientas (A), pero debe coincidir con el extremo donde se instalarán las ruedas giratorias con freno (D). Los orificios en el gabinete para herramientas (A) están roscados y no requieren tuercas.

### Aditamentos utilizados

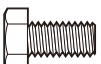
**AA** Perno M6 x 20 mm  x 4

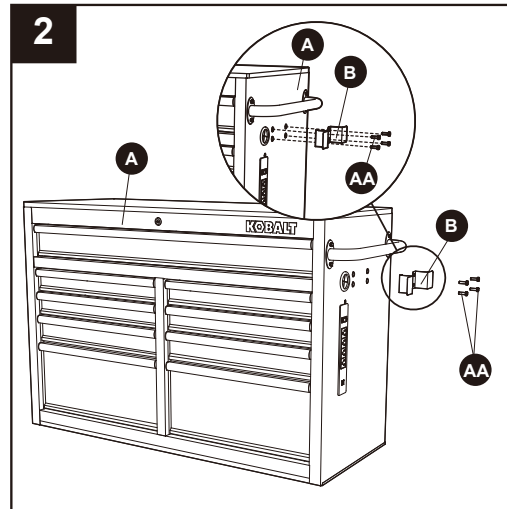


2. Fije los soportes de almacenamiento del cable (B) a los orificios del gabinete para herramientas (A) con dos pernos M6 x 20 mm (AA) por soporte, y apriete con la llave de 10 mm suministrada.

**Nota:** oriente los soportes con una punta hacia la izquierda y la otra hacia la derecha para que el cable de la toma de corriente pueda enrollarse alrededor de los soportes para su almacenamiento.

### Aditamentos utilizados

**AA** Perno M6 x 20 mm  x 4

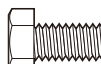


## INSTRUCCIONES DE ENSAMBLAJE


3. Asegúrese de que todas las gavetas del gabinete estén aseguradas en su lugar usando la cerradura (EE) y la llave (FF) en el gabinete para herramientas (A). Coloque el gabinete para herramientas (A) sobre su parte posterior utilizando los materiales de cartón del paquete para proteger el acabado. Monte las dos ruedas giratorias con freno (D) en el gabinete para herramientas (A) con pernos M8 x 25 mm (BB), arandela de resorte (CC) y arandela (DD). Repita este proceso para las ruedas fijas (E) en el lado opuesto del gabinete para herramientas (A). Vuelva a colocar el gabinete para herramientas (A) en posición vertical.

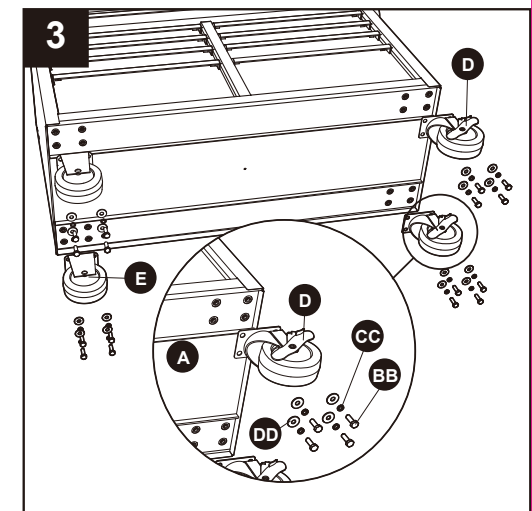
**Nota:** se necesitan dos personas para llevar a cabo esta instalación. Las ruedas giratorias con freno (D) deben instalarse en el extremo del gabinete para herramientas (A) con la manija del gabinete (C). No apriete demasiado los tornillos.

### Aditamentos utilizados

**BB** Perno M8 x 25 mm  x 16

**DD** Arandela  x 16

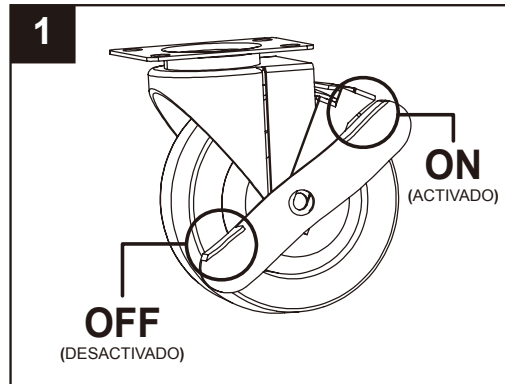
**CC** Arandela de resorte  x 16



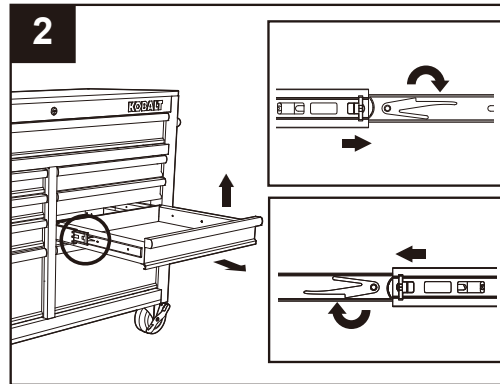
## INSTRUCCIONES DE FUNCIONAMIENTO

1. Uso de los frenos de las ruedas:  
Para bloquear las ruedas giratorias, baje las palancas marcadas con ON (activado). Para desbloquear las ruedas, empuje hacia abajo las palancas marcadas con OFF (desactivado).

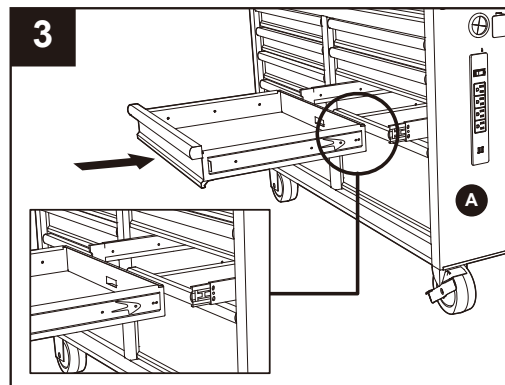
**Nota:** asegúrese de bloquear ambas ruedas para evitar que el gabinete ruede o gire.



2. Retiro de las gavetas:  
Vacíe por completo y extienda la gaveta. Empuje hacia arriba la palanca de liberación en un costado del deslizador para gaveta mientras tira hacia abajo de la otra palanca de liberación. Tire de la gaveta hacia afuera hasta que se libere de los deslizadores.



3. Reinserción de las gavetas:  
Tire de los deslizadores y deslice el soporte hacia afuera hasta que esté completamente extendido. Sostenga el deslizador en el gabinete para herramientas (A) mientras que lo alinea con el deslizador en la gaveta. Introduzca ligeramente un lado y repita para el otro lado. Empuje lentamente la gaveta hasta que esté completamente cerrada para enganchar el deslizador. Abra y cierre la gaveta para verificar el funcionamiento correcto.



## CUIDADO Y MANTENIMIENTO

- Mantenga el producto en buen estado mediante la adopción de un programa de mantenimiento periódico.
- Se recomienda el uso de forros para gavetas (incluidos) para proteger el acabado al interior de las gavetas y para facilitar la limpieza de las mismas.
- Engrase las ruedas anualmente con grasa para cojinetes de alta calidad.
- Lubrique los deslizadores anualmente con grasa para cojinetes de alta calidad.
- Limpie periódicamente los paneles frontales de las gavetas, el reborde de las gavetas y las demás superficies con detergente suave y agua.
- Elimine la grasa y el aceite con un líquido de limpieza estándar no inflamable.

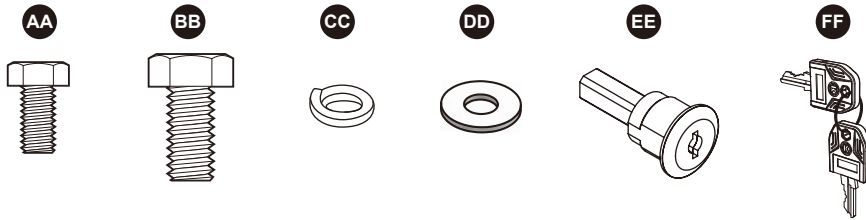
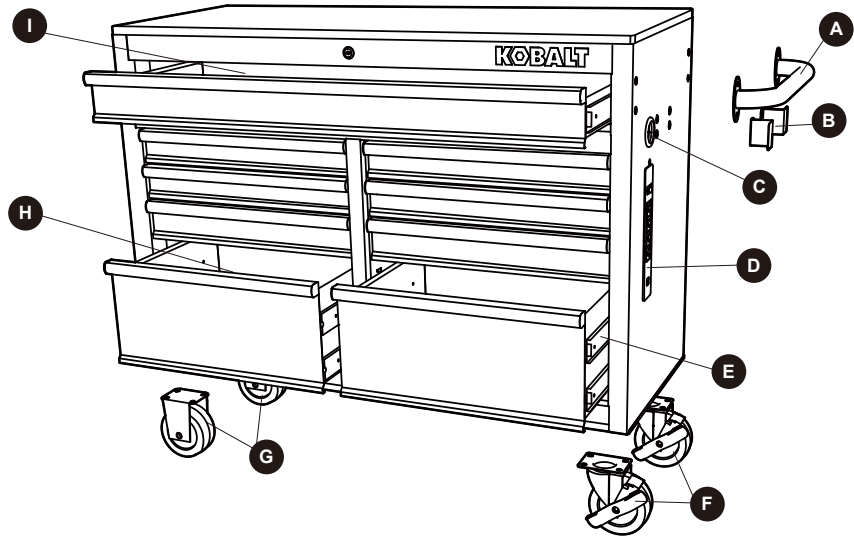
## 3 AÑOS DE GARANTÍA SIN PROBLEMAS

Este producto tiene cobertura de garantía contra defectos en materiales y mano de obra por 3 años a partir de la fecha de compra para el comprador original. Esta garantía no cubre daños por uso indebido, desgaste normal, mantenimiento inadecuado, negligencia, reparación o alteración no autorizadas, ni piezas o accesorios desechables cuya inutilidad es esperable después de un período de uso razonable.

Si cree que este producto cumple con la garantía mencionada anteriormente, llame a nuestro Departamento de Servicio al Cliente al **888-3KOBALT (888-356-2258)**, de lunes a domingo de 8 a.m. a 8 p.m., hora estándar del Este. También puede ponerse en contacto con nosotros en **ascs@lowes.com** o devolver el artículo al lugar de compra con una copia del recibo de venta original. El distribuidor, a su elección, reparará o reemplazará el producto. Esta garantía le otorga derechos legales específicos, pero podría tener también otros derechos que varían según el estado.

## LISTA DE PIEZAS DE REPUESTO

Para obtener piezas de repuesto, llame a nuestro Departamento de Servicio al Cliente al **888-3KOBALT (888-356-2258)**, de lunes a domingo de 8 a.m. a 8 p.m., hora estándar del Este. También puede ponerse en contacto con nosotros en [ascs@lowes.com](mailto:ascs@lowes.com).



## LISTA DE PIEZAS DE REPUESTO

PIEZA	DESCRIPCIÓN	PIEZA #	GARANTÍA
A	Manija del gabinete	5044810-A	SÍ
B	Soporte de almacenamiento del cable	5044810-B	SÍ
C	Arandela de caucho	5044810-C	SÍ
D	Enchufe múltiple	5044810-D	SÍ
E	Guía de cajón	5044810-E	SÍ
F	Rueda giratoria con freno	5044810-SC	SÍ
G	Rueda fija	5044810-FC	SÍ
H	Forro para gavetas	5044810-H	SÍ
I	Forro de la gaveta grande	5044810-I	SÍ
AA	Perno M6 x 20 mm	5044810-HDWR	SÍ
BB	Perno M8 x 25 mm	5044810-HDWR	SÍ
CC	Arandela de resorte	5044810-HDWR	SÍ
DD	Arandela	5044810-HDWR	SÍ
EE	Cerradura	5044810-LK	SÍ
FF	Llave	5044810-LK	SÍ

**Nota:** algunas piezas no son intercambiables debido a los diferentes colores. Especifique el número de pieza al realizar el pedido:

COLOR	ARTÍCULO #	DESCRIPCIÓN	PIEZA #	GARANTÍA
Azul	5215654	Manija del gabinete	5215654-A	SÍ
Blanco	5215659	Manija del gabinete	5215659-A	SÍ
Rojo	5215664	Manija del gabinete	5215664-A	SÍ
Verde	5215669	Manija del gabinete	5215669-A	SÍ
Gris	5215674	Manija del gabinete	5215674-A	SÍ
Rosada	6572174	Manija del gabinete	6572174-A	SÍ
Lavanda	7790674	Manija del gabinete	7790674-A	SÍ
Verde azulado	7790675	Manija del gabinete	7790675-A	SÍ
Azul	5215654	Soporte de almacenamiento del cable	5215654-B	SÍ
Blanco	5215659	Soporte de almacenamiento del cable	5215659-B	SÍ
Rojo	5215664	Soporte de almacenamiento del cable	5215664-B	SÍ
Verde	5215669	Soporte de almacenamiento del cable	5215669-B	SÍ
Gris	5215674	Soporte de almacenamiento del cable	5215674-B	SÍ
Rosada	6572174	Soporte de almacenamiento del cable	6572174-B	SÍ
Lavanda	7790674	Soporte de almacenamiento del cable	7790674-B	SÍ
Verde azulado	7790675	Soporte de almacenamiento del cable	7790675-B	SÍ