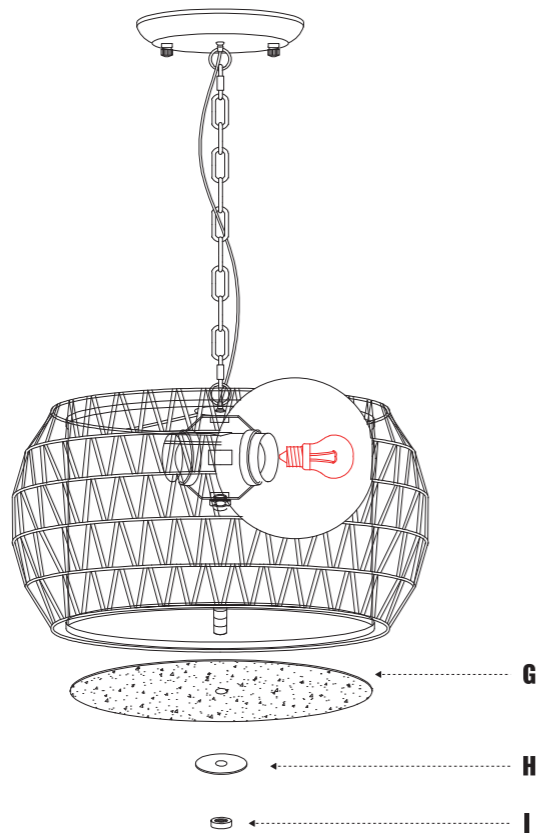


### 3. Fix the Canopy

Fix the canopy (A) on to the mounting bracket (GG) with knurled nuts (HH) taken off.

### Install Bulb



1. Align and thread diffuser panel (G) and disc (H) screw holes with lamp head (E) tube; secure with flat nut (I).
2. Install E26 LED lamps x5 (Max 9W each, not included)

# INSTALLATION MANUAL

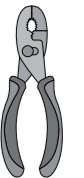
## CHANDELIER

Model No.: CXP002BL-5A

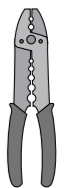
### TOOLS REQUIRED



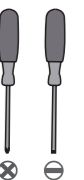
Ladder



Pliers



Wire Strippers

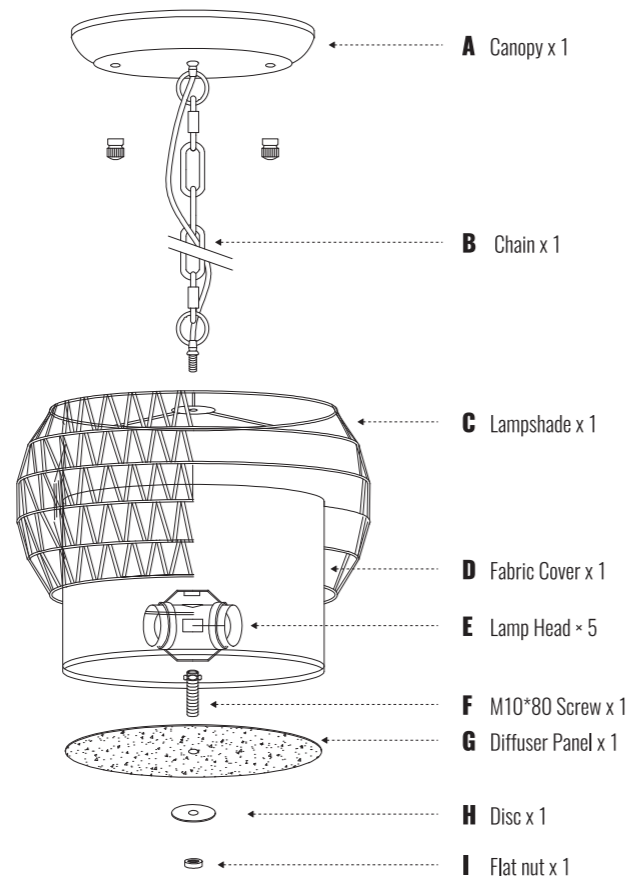


Screwdrivers



Scan for Installation Video

## PACKING LIST



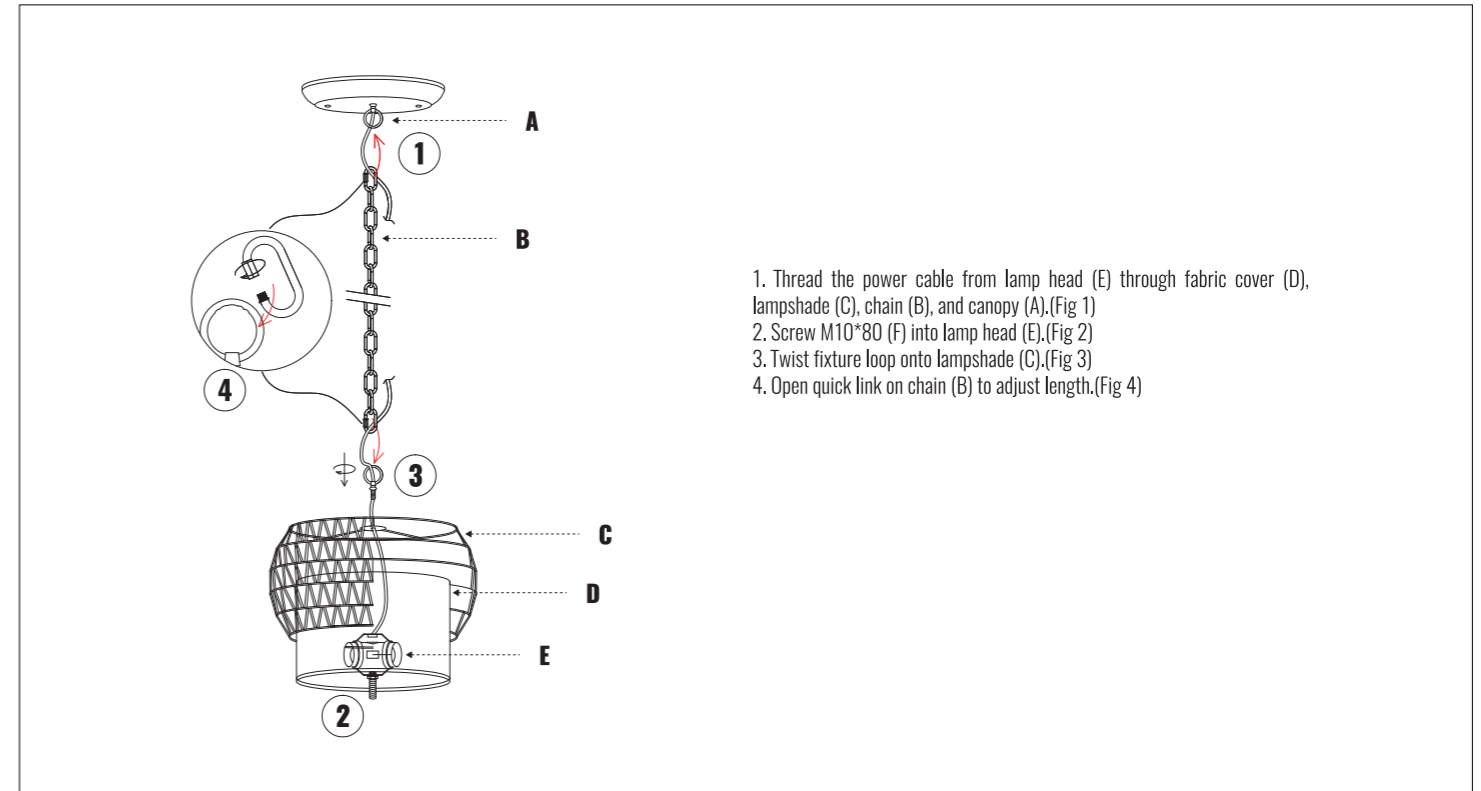
## INSTALLATION KIT

<b>AA</b>	Wire Nut	3*	<b>BB</b>	Outlet Box Screw	2*	<b>CC</b>	Ground Screw	1*
<b>DD</b>	Long Screw	2*	<b>EE</b>	Hex Nut M4	4*	<b>FF</b>	Flat Washer	2*
<b>GG</b>	Mounting Bracket	1*	<b>HH</b>	Knurled Nut	2*	<b>II</b>	Glove	1*

### NOTE:

1. The ground screw (CC) and parts (DD), (EE), (FF), (GG), (HH) are preassembled with canopy (A).

## INSTALLATION

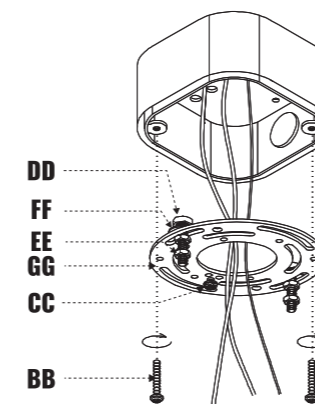


1. Thread the power cable from lamp head (E) through fabric cover (D), lampshade (C), chain (B), and canopy (A).(Fig 1)
2. Screw M10\*80 (F) into lamp head (E).(Fig 2)
3. Twist fixture loop onto lampshade (C).(Fig 3)
4. Open quick link on chain (B) to adjust length.(Fig 4)

## MOUNTING AND WIRING

### 1. Install Mounting Bracket

1. Loosen the knurled nut (HH) from canopy (A), take out the mounting bracket (GG).
2. Take off the screws from outlet box, secure the mounting bracket (GG) onto the box with screws taken off or outlet box screw (BB).



### 2. Connect the Power Wires and Ground Wire

1. Connect the wires from the fixture to the house supply wires with wire nuts (AA), ground wire (green, green/yellow, or bare) to ground wire, neutral wire (white) to neutral wire, and hot wire (black) to the hot wire. Wrap the connection with electrical tape.
2. Spread apart the wires so that the hot wires are on one side of the outlet box and the neutral wires are on the other side.

