

Boston Series Wall Bracket: 055-BK16-BNK 055-BK16-MBK 055-BK16-RGD
Resin Basin: CSP-S2016-WG CSP-S3216-WG CSP-S4016-WG

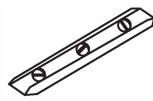
Assembly / Installation Instructions

Important Notes:

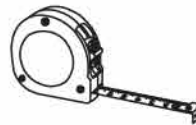
* For your safety and to achieve the best possible installation of these wall brackets and basin, James Martin Vanities always recommends you consult with a professional contractor. Two people are required for the assembly and installation of this wall console

Hardware for the assembly is included in a red bag and packed with the metal brackets.

Materials for Installation:



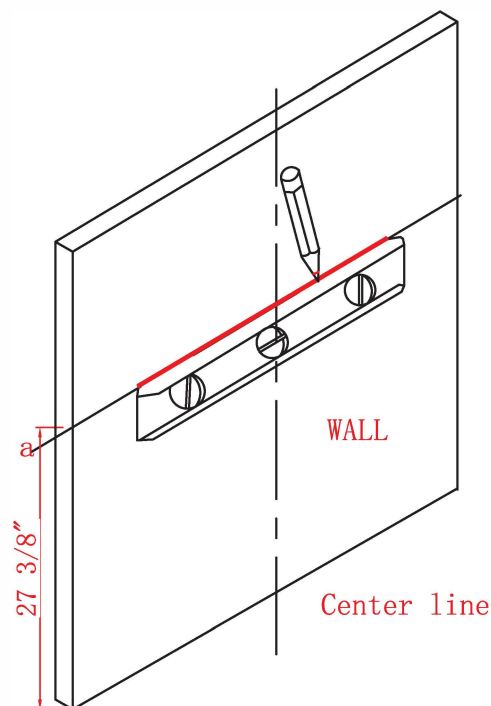
Level



Tape
Measuring



Pencil



Step 1 Notes:

Draw a horizontal line on the wall at your desired height.
For this console, most people use a height of 27 3/8"

Boston Series Wall Bracket: 055-BK16-BNK 055-BK16-MBK 055-BK16-RGD
Resin Basin: CSP-S2016-WG CSP-S3 216-WG CSP-S4016-WG

Assembly / Installation Instructions

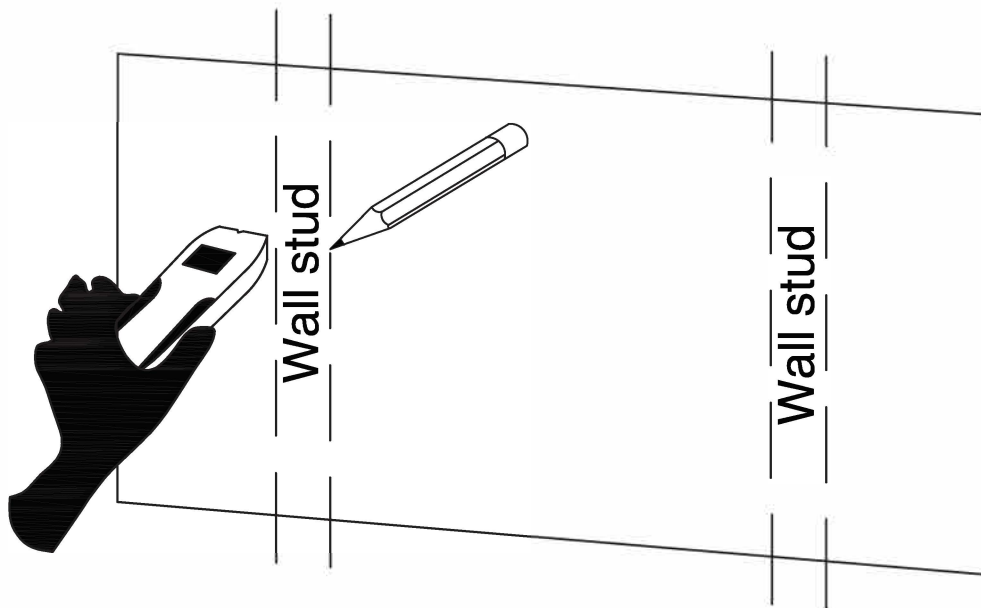
Materials for Installation:



Stud Finder



Pencil



Step 2 Notes:

Locate and mark the position of the wall's interior studs to which you will fasten the metal bracket.

We recommend the use of an electronic stud finder to locate the studs.

(Alternately, you may find studs by listening for a solid sound as you knock on the wall)

Special Note 1:

If the studs in your bathroom do not line up to the mounting location for your vanity, additional wood blocking can be installed between the studs using standard 2 x 4 lumber.

Special Note 2:

Due to the narrow width of this cabinet, you may decide to use drywall anchors if the wall studs are not spaced appropriately.

IMPORTANT:

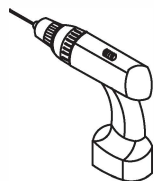
James Martin Vanities recommended you always consult with professional installers and contractors regarding the correct installation of our products.

Boston Series Wall Bracket: 055-BK16-BNK 055-BK16-MBK 055-BK16-RGD

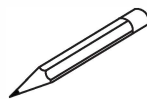
Resin Basin: CSP-S2016-WG CSP-S3 216-WG CSP-S4016-WG

Assembly / Installation Instructions

Materials for Installation:



Drill



Pencil



Hammer

A= 6 PCS Drywall Anchors (optional) Ø8*38mm



B= 6 PCS Screws for bracket Ø4*50mm



C= 6 PCS Flat Washer 1/4"

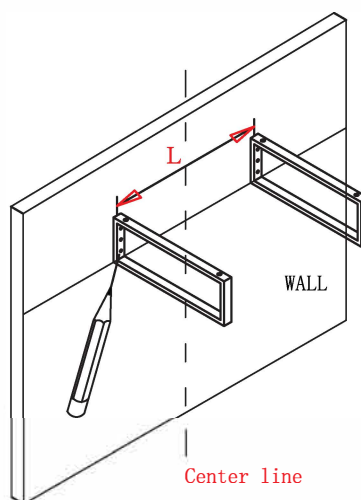


055-BK16-BNK / MBK / RGD

CSP-S2016-WG **L** = 467mm

CSP-S3216-WG **L** = 766mm

CSP-S4016-WG **L** = 966mm



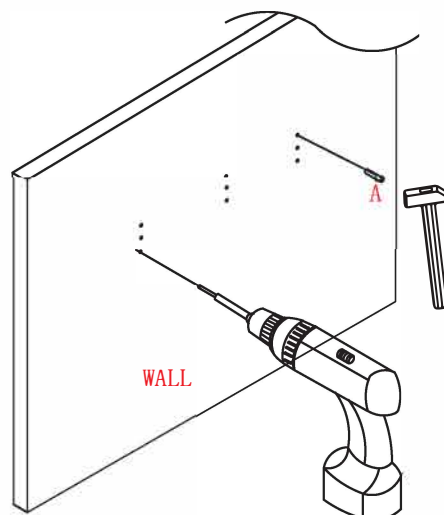
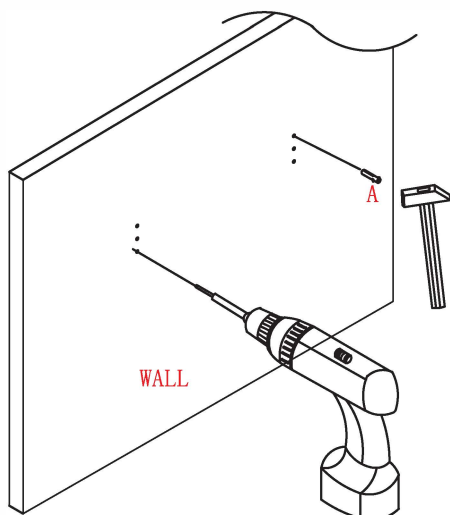
Step 3 Notes:

After you have located the wall studs, position the metal bracket so the holes align with the center points of the studs. Mark these positions with a pencil. Please decide the distance (**L**) between the metal brackets according to the product model of the metal bracket and the basin.

Step 4 Notes:

Drill holes for the screws in the positions you have marked with the pencil.

Drill the holes' depth no less than 1 1/2", insert "A" to the holes by using hammer if wall studs are not in the correct positions.



Boston Series Wall Bracket: 055-BK16-BNK 055-BK16-MBK 055-BK16-RGD
Resin Basin: CSP-S2016-WG CSP-S3 216-WG CSP-S4016-WG

Assembly / Installation Instructions

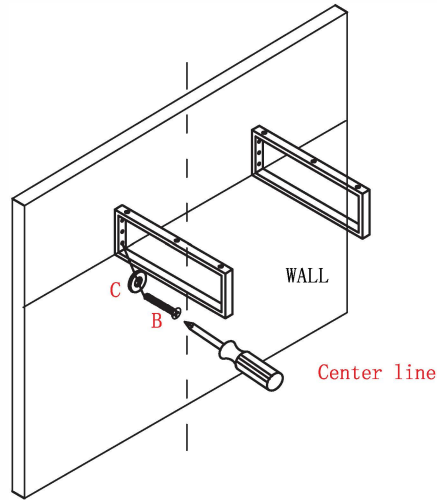
**Materials
for
Installation:**



Drill

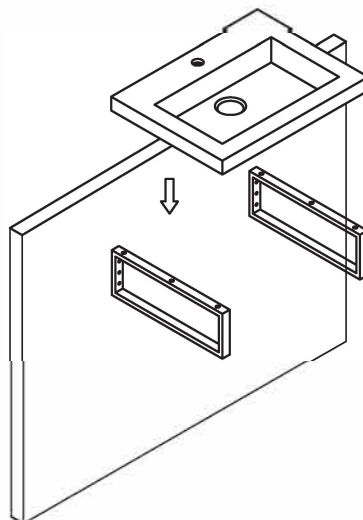
Step 5 Notes:

Attach the metal bracket to the wall using the screws(B) through the flat washer (C) included in the red hardware bag.



Step 6 Notes:

Locate the basin on the metal brackets.





Boston Series Wall Bracket: 055-BK16-BNK 055-BK16-MBK 055-BK16-RGD
 Resin Basin: CSP-S2016-WG CSP-S3216-WG CSP-S4016-WG

Assembly / Installation Instructions

055-BK16-BNK / MBK / RGD

C = 4 PCS Flat Washer 3/4"



CSP-S2016-WG

D = 4 PCS Spring Washer 1/4"



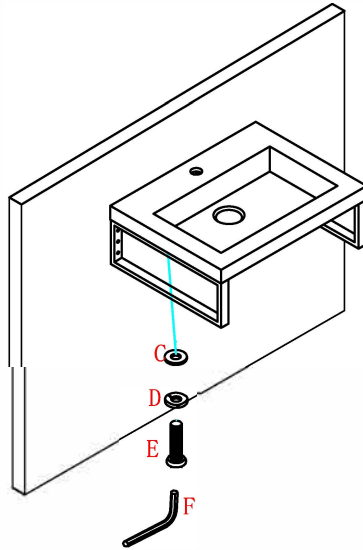
CSP-S3216-WG

E = 4 PCS Bolts 1/4" x 1-1/4"



CSP-S4016-WG

F = 1 PC Allen Wrench (#4)



Step 8 Notes:

Attach the basin to the metal brackets using the bolts (**E**) through the flat washer (**C**) and the spring washer (**D**) included in the red hardware bag.