

POLYGAL

Hurrigal Storm Panels

3-Wall Installation Guide

Distributed by

 Polymershapes



Polygal Hurrigal Storm Panel (3-Wall) Installation Guide



Polygal Hurrigal Storm Panels

For this storm season if you are looking for an alternative to putting up plywood over your windows and doors consider Plazit-Polygal's Hurrigal Storm Panels. Hurrigal Storm Panels are made from lightweight and high impact polycarbonate, which is much stronger than glass. Impact and pressure tested by a third party certified lab under Florida High Velocity Hurricane Zone (HVHZ) conditions and certified by a third party quality assurance entity to meet Florida HVHZ requirements.

READ ALL INSTRUCTIONS BEFORE STARTING:

- 1) Maximum sheet size 48" x 96"
- 2) Sheets must be attached on all four sides in accordance with these instructions.
- 3) Sheets must overlap opening a minimum of 3" on all four sides.
- 4) Minimum installed separation between glass and 16mm 3-Wall Hurrigal panel is 2.75".
- 5) On each panel provide a warning note: "Do not leave exposed longer than a hurricane event"

Polygal does not guarantee suitability for any particular application or installation. It is the sole responsibility of the customer or purchaser to determine suitability and compliance with "all applicable" codes and regulations. Failure to use specified hardware for installation is done at the risk of the consumer and may result in non-compliance with certain building codes and regulations. Polygal recommends using only specified hardware for installation.

Polygal Hurrigal Storm Panel (3-Wall) Installation Guide

Directions

Step 1: Cut sheet width and length to overlap opening on all sides 3". The sheet length is the direction of the flutes. Exterior UV treated surface has printed masking. Mark the exterior surface with a marker pen before removing the masking. Install sheets so that the exterior UV treated surface is exposed to the sun.

Step 2: Marking hole points for predrilling (see page 4)

- 1) Starting at the upper left hand corner, measure down from the top edge 1 ½" and from the left edge measure to the right 3"- mark the point. Repeat to the right from the left edge at 12", 24", 36", and 45" (five fasteners across the top).
- 2) Starting at the upper left hand corner, measure toward the right from left edge 1 ½" and measure down from the top edge 3" – mark the point. Repeat toward the bottom of the sheet at 12", 24", 36", 48", 60", 72", 84", 93" (nine fastener down the left edge).
- 3) Starting at the lower left hand corner, measure up from the bottom edge 1 ½" and from the left edge measure right 3"-mark the point. Repeat to the right from the left edge at 12", 24", 36", 45" (five fasteners across the bottom).
- 4) Starting at the upper right hand corner, measure toward the left from the right edge 1 ½" and measure down from the top edge 3"- mark the point. Repeat towards the bottom of the sheet at 12", 24", 36", 48", 60", 72", 84", 93" (nine fasteners down the right edge).

Step 3: Predrilling Fastening Holes: Drill (3/8" drill bit) all marked points through Hurrigal sheet.

Step 4: Mark Wall Fastening Points: With the help of another person use the predrilled sheet as a template. Position the predrilled sheet against the wall of the building making sure that it is square and level and **that all sides overlap the opening 3"**. Using a marking pen, mark each predrilled hole position on the concrete/wood wall.

Step 5: Mounting Hardware: Using the "PanelMate" manufacturers' installation instructions, predrill concrete/block wall where marked (step 4); wood walls do not have to be predrilled. Install one "PanelMate" anchor for each predrilled hole (concrete). For wood install at each template mark made upon the wall in step 4.

Step 6: Fixing posts: Install the predrilled Hurrigal sheet on the "PanelMate" posts that have been installed in the wall. Place one 1 ¼" washer on each fixing post after the sheet is in place, followed with one wing nut and tighten the wing nut to hold the sheet in place.

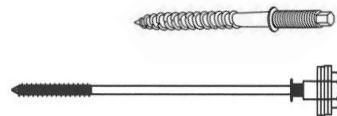
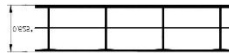
Step 7: Uninstall: To uninstall, remove the wing nuts and washers. Remove the sheet and store in a protected space. Replace all washers and wing nuts for future reinstallation.

Polygal Hurrigal Storm Panel (3-Wall) Installation Guide

Mounting Hardware

Tools Needed:

- Drill
- 3/16" or 7/32" masonry bit and 3/8 standard bit
- Circular saw if panels need to be cut
- Safety glasses
- Gloves
- Sandpaper if panels need to be cut.
- Level

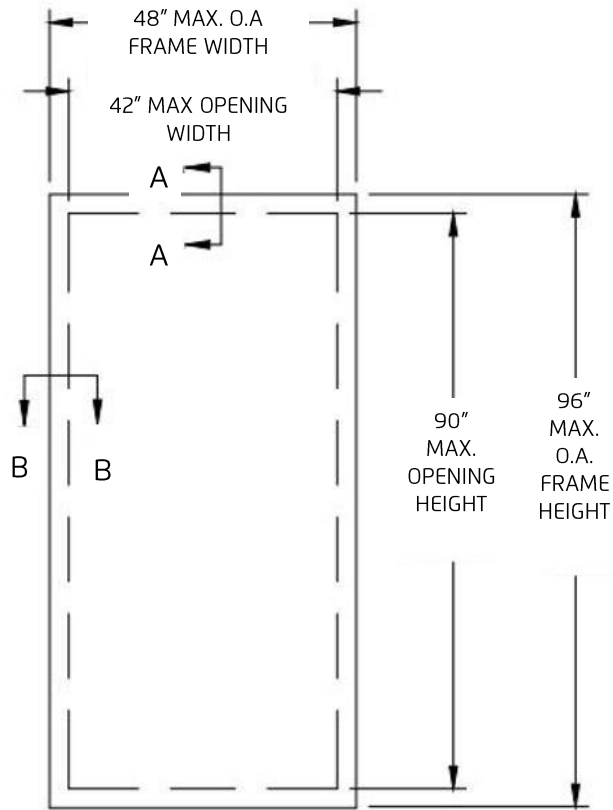


PART NO.	DESCRIPTION	Substrate	Edge Distance	Depth of Embedment
1	16MM 3-WALL HURRIGAL			
2	1/4" PANELMATE PRO 1/4" PANELMATE PLUS 1/4" PANELMATE PRO TVAS	Concrete: 2,500 PSI	2.50"	1.75"
3			1.0"	2.0"
4			2.50"	2.0"
4		CMU: 2,000 PSI	2.0"	1.25"
		Wood: SG 0.42 (non-HVHZ) and 0.55 (HVHZ)	3.0"	1.25"
			0.75"	1.875"
			2.0"	1.50"
5	1/4" TAPCON SG	Concrete: 2,500 PSI	1-1/4"	1"
			2-1/2"	1"
			1-1/4"	1-3/4"
			2-1/2"	1-3/4"
		CMU: 1,500 PSI	1-1/4"	1-1/4"
			2-1/2"	1-1/4"
6	1/4-20 WING NUT, MATERIAL SHALL BE COMPATIBLE WITH ANCHOR (PART NO. 2 OR 3)			
7	1/4" FLAT WASHER, 1-1/4" O.D, MATERIAL SHALL BE COMPATIBLE WITH ANCHOR (PART NO. 2 OR 3)			

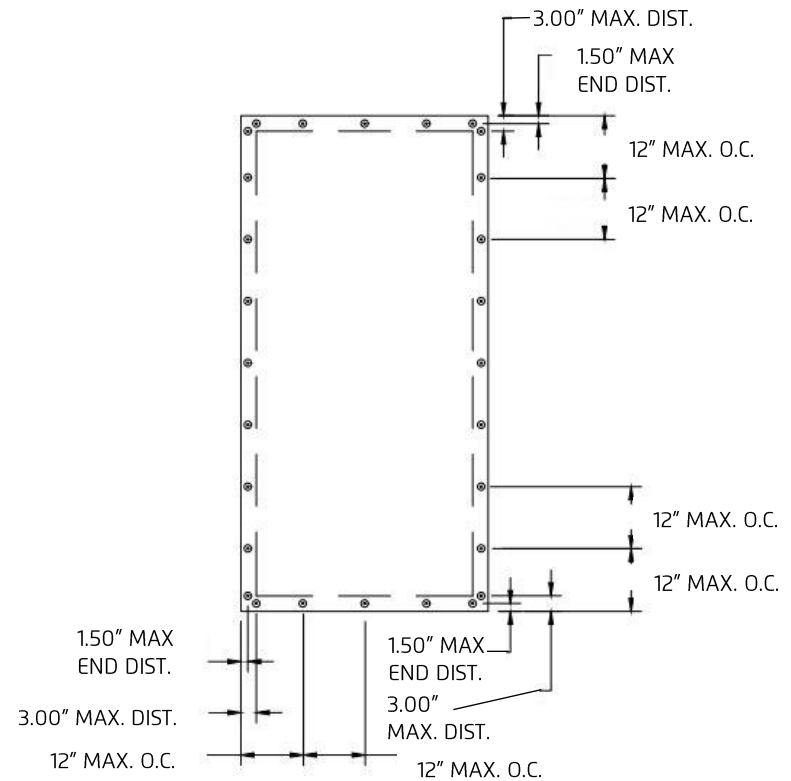
Polygal Hurrigal Storm Panel (3-Wall) Installation Guide

Elevation 16mm Hurrigal 3-Wall

Exterior View



Anchor Layout
Interior View



***note: maximum panel size is 48" x 96"**

4

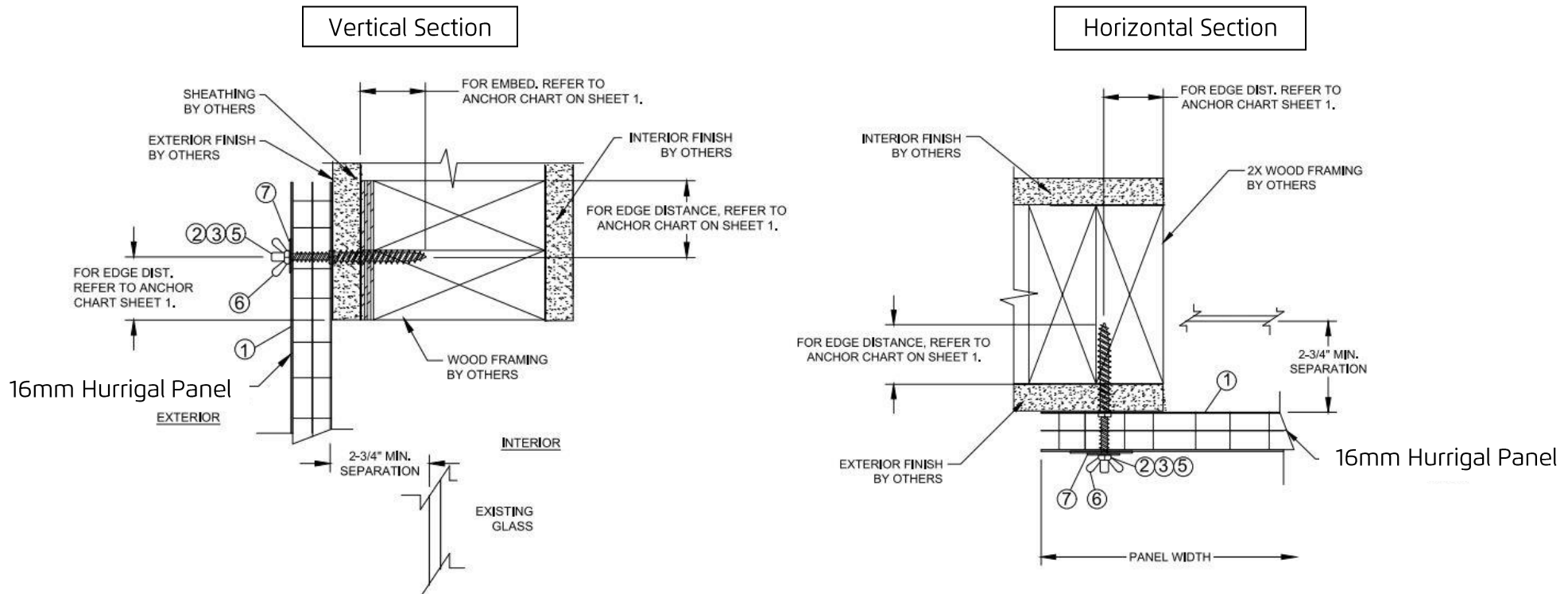


Hurrigal Storm Panels Distributed by Polymershapes LLC

For questions, reach our Customer Service at (800) 421-0102 or by email at retail@polymershapes.com

Polygal Hurrigal Storm Panel (3-Wall) Installation Guide

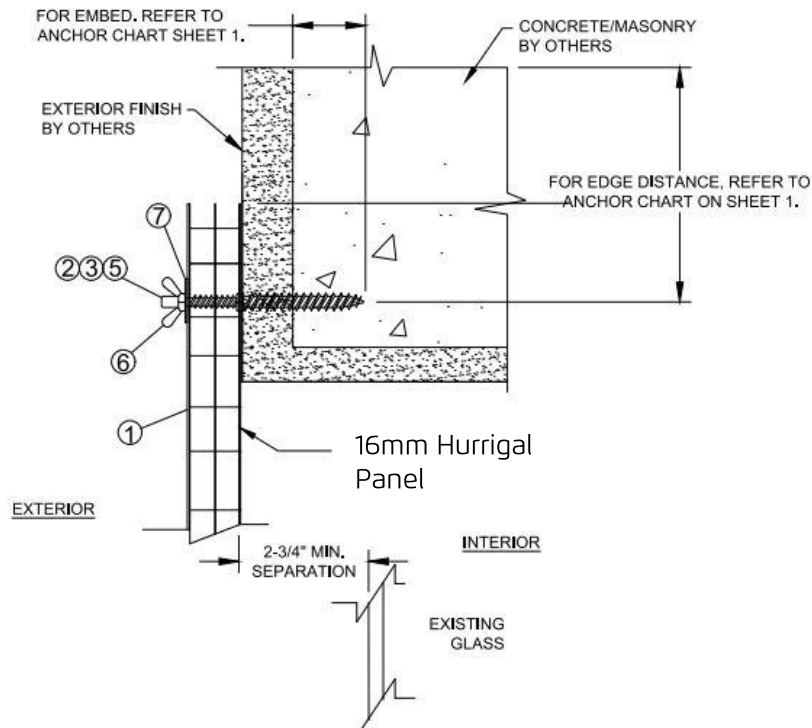
Wood Frame Wall Mount Installation



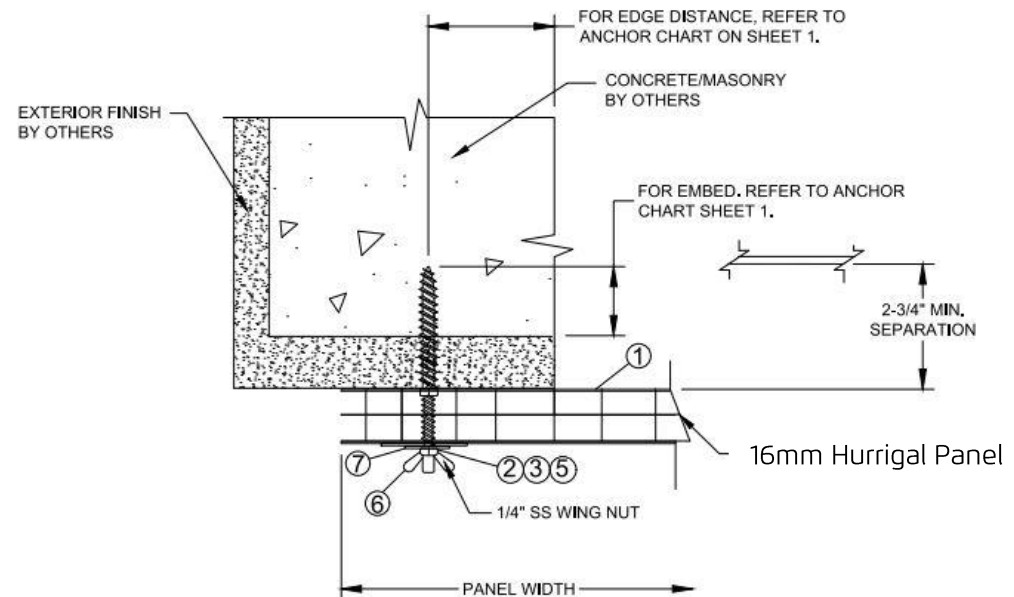
Polygal Hurrigal Storm Panel (3-Wall) Installation Guide

Concrete Wall Mount Installation

Vertical Section



Horizontal Section



Solid Brick Veneer Mount Installation

Vertical Section

Horizontal Section

