

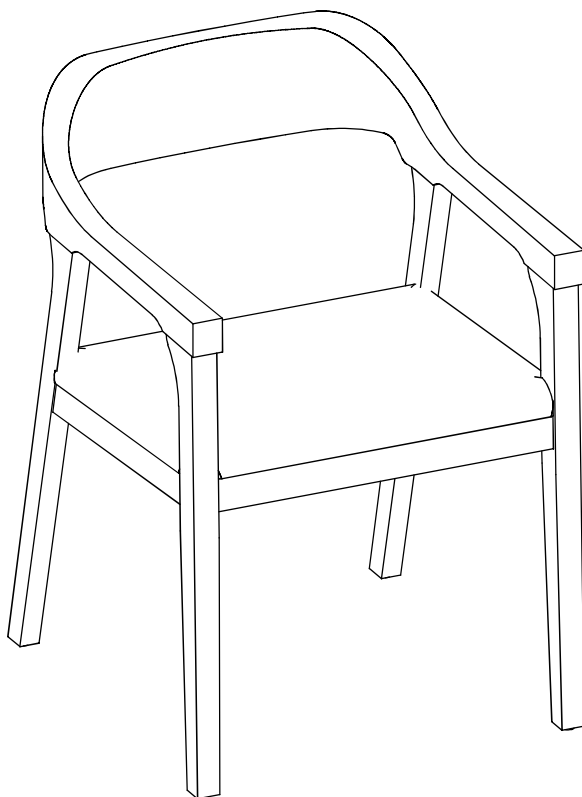


Boraam Industries

ASSEMBLY INSTRUCTIONS

SKU: 77317,77318

RASMUS DINING ARM CHAIR



Have questions about
assembling your item?



Items or parts damaged?



Missing a part?

We're here to help! (Monday-Friday from 9am-5pm CST)



847-949-6300
877-267-2261

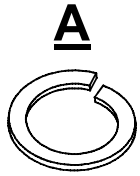
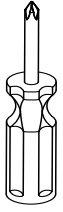


customerservice@
boraamindustries.com

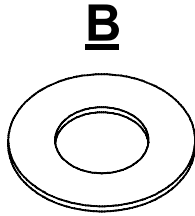


www.boraamindustries.com

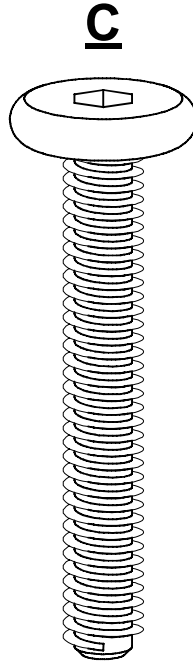
Phillips
Screwdriver
(Not provided)



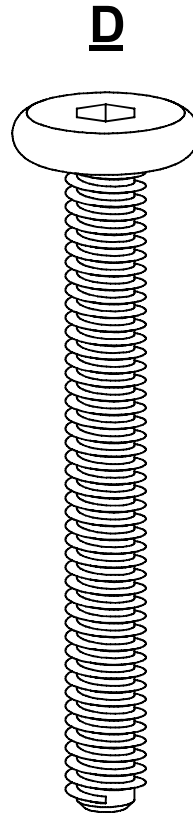
M8*10
8 PCS



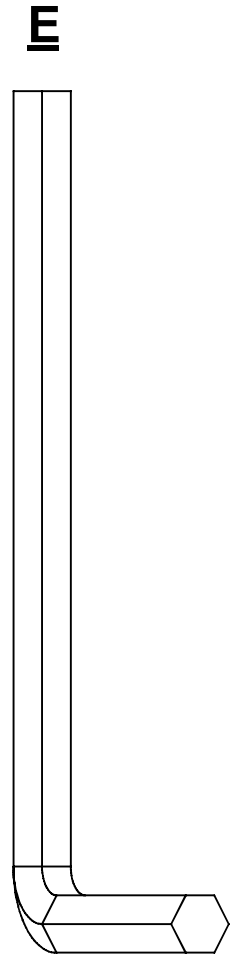
M8*16
8 PCS



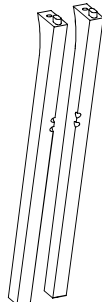
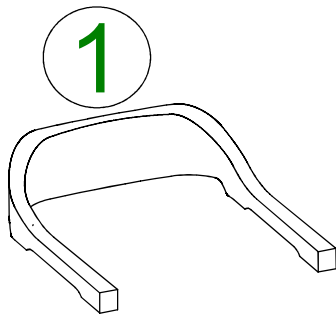
M8*50
4 PCS



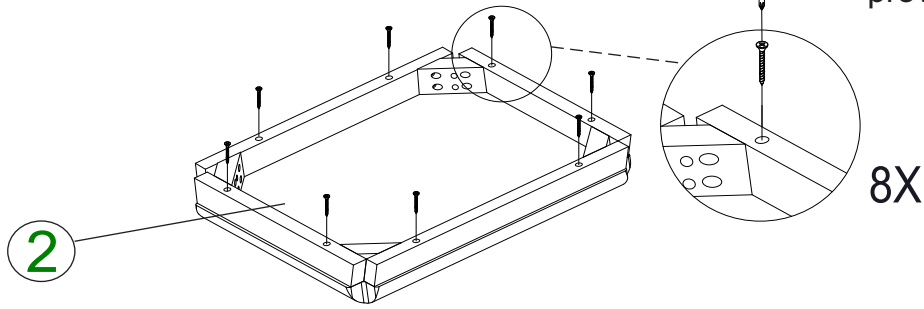
M8*70
8 PCS



M4*110
1 PC

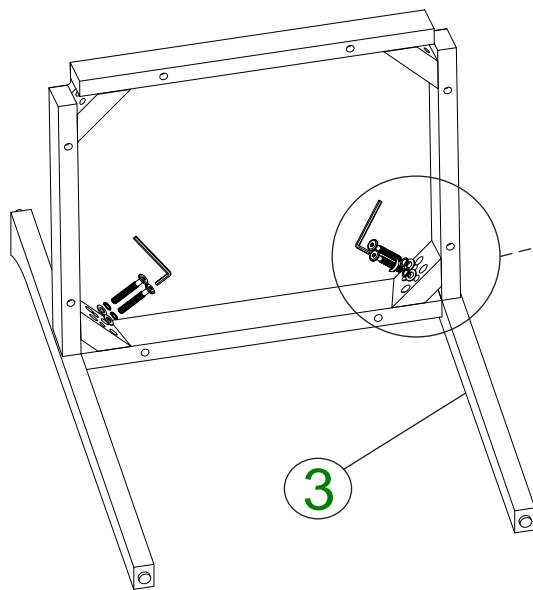
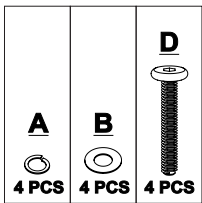


01



Separate the wooden seat frame and seat cushion by use screwdriver (not provided).

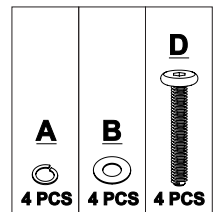
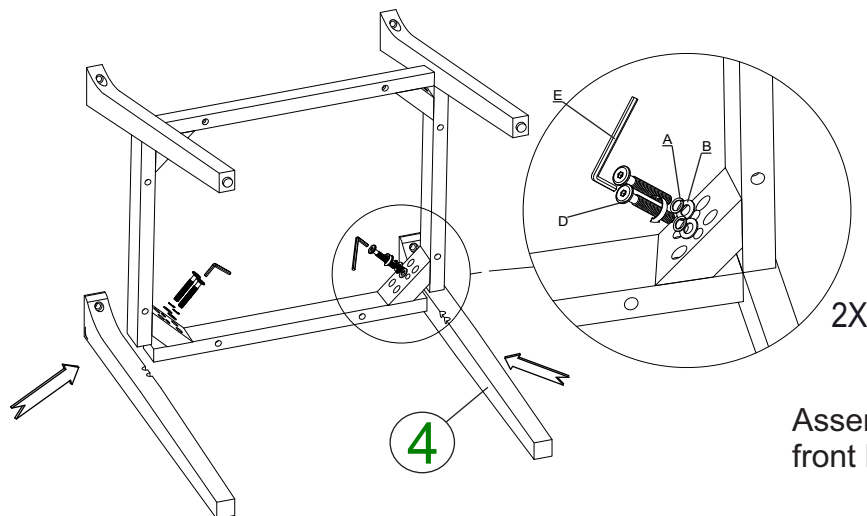
02



Assembly a wooden seat frame with 2 back legs.

DO NOT TIGHTEN BOLT COMPLETELY.

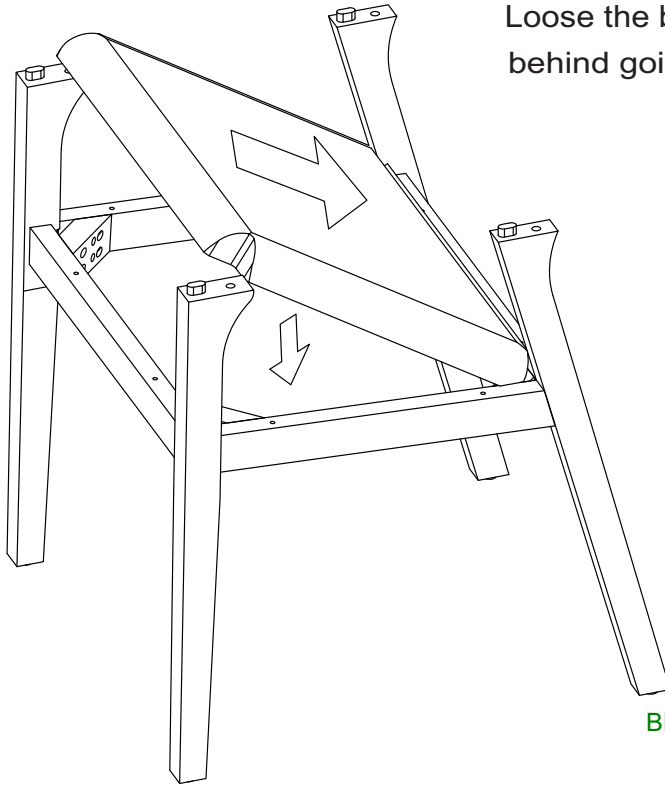
03



Assembly a wooden seat frame with 2 front legs.

DO NOT TIGHTEN BOLT COMPLETELY.

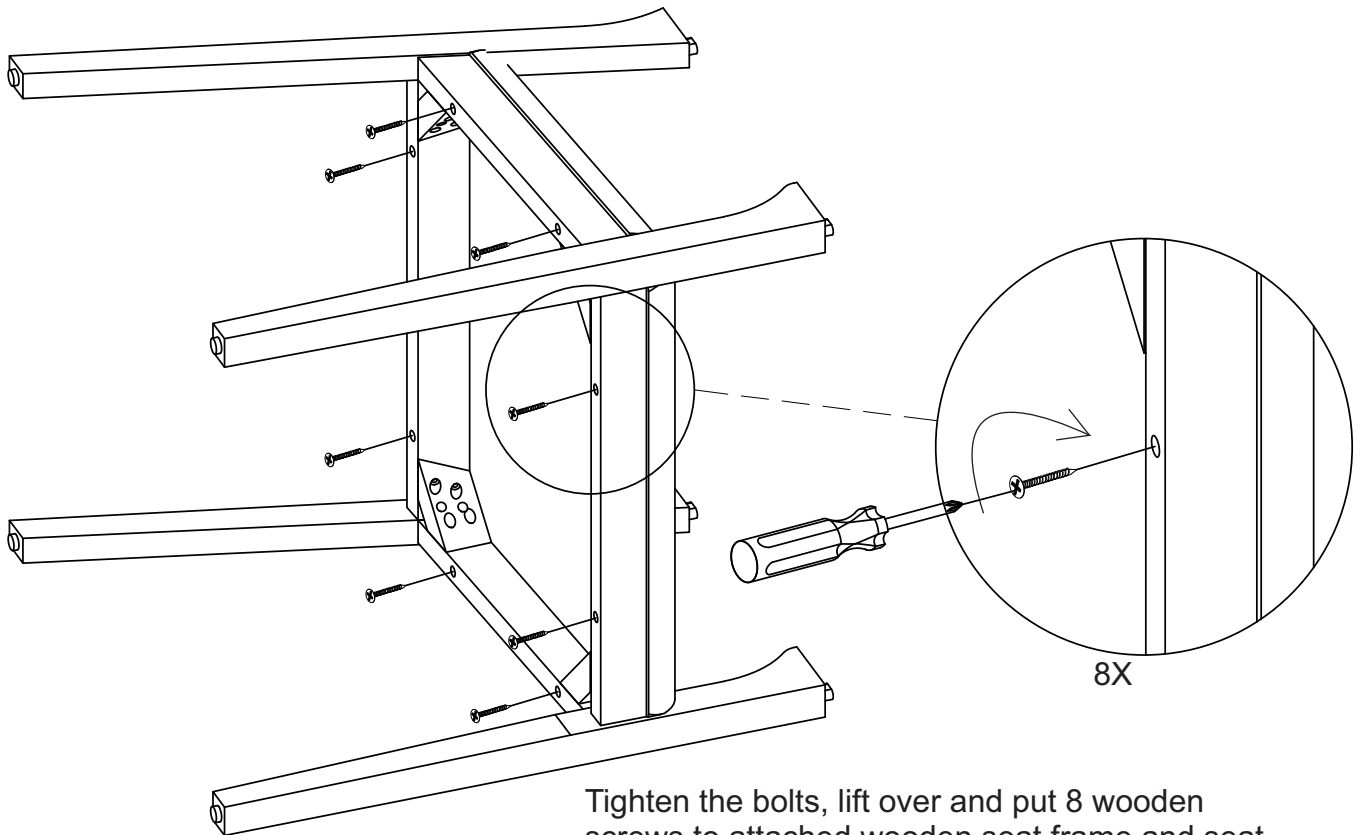
04



Loose the bolts for chair then put seat cushion behind going first then seat cushion front.

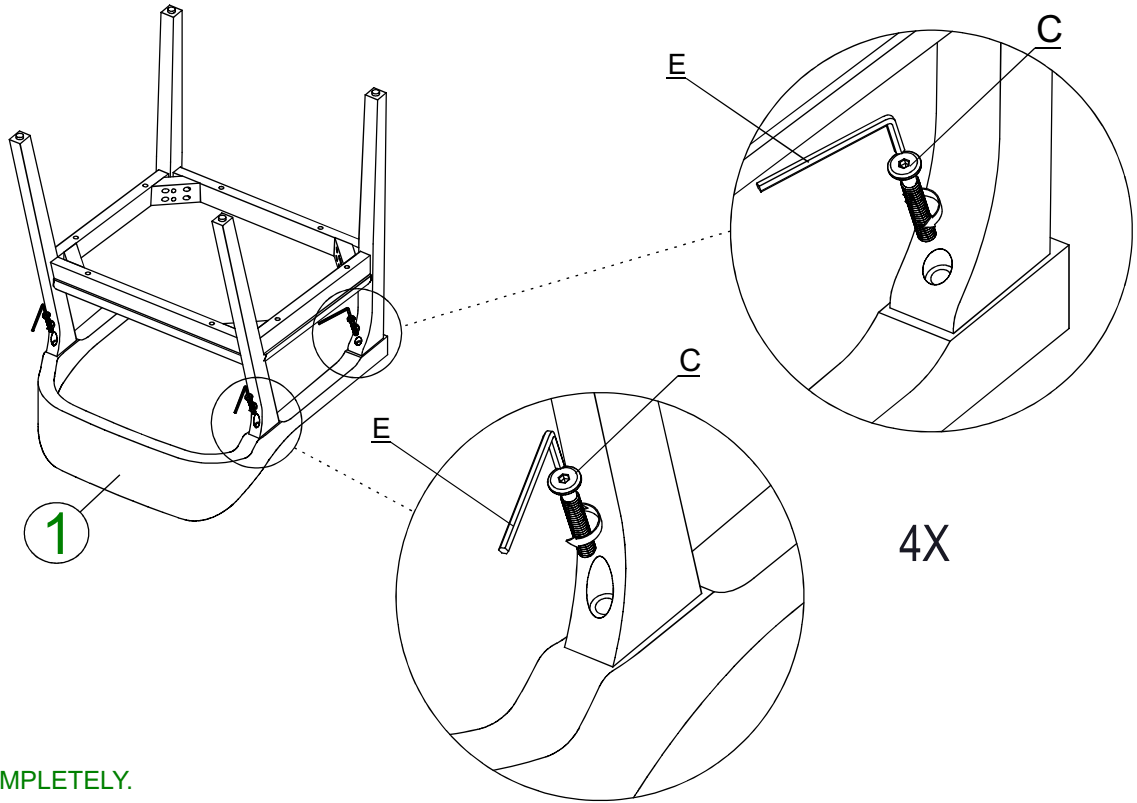
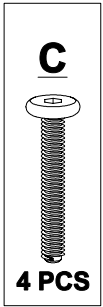
BE SURE TO CHECK ALL BOLTS ARE SECURELY TIGHTENED PRIOR USING THIS CHAIR.

05

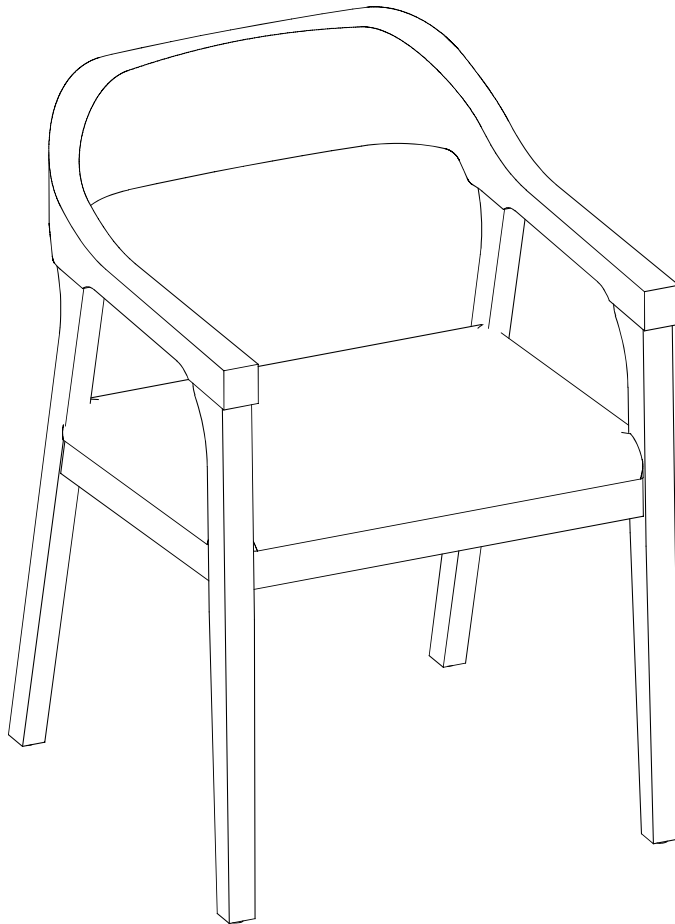


Tighten the bolts, lift over and put 8 wooden screws to attached wooden seat frame and seat cushion by use screwdriver (not provided).

06



TIGHTEN BOLT COMPLETELY.



BE SURE TO CHECK ALL BOLTS ARE SECURELY TIGHTENED PRIOR USING THIS STOOL.