

Assembly Instructions

Caution: You must read these Assembly Instructions before you proceed



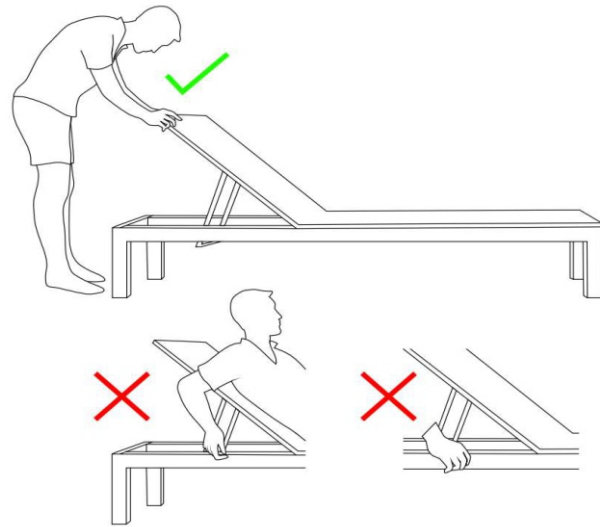
SAFETY WARNING

Never adjust chaise lounge or recliner backrest while seated.

Always make sure the backrest is flat before moving the chaise lounge.












Keep all limbs clear from under the backrest when it is in a raised position.

Serious finger, hand, or other bodily injuries may result from adjusting the chaise lounge backrest position while seated.



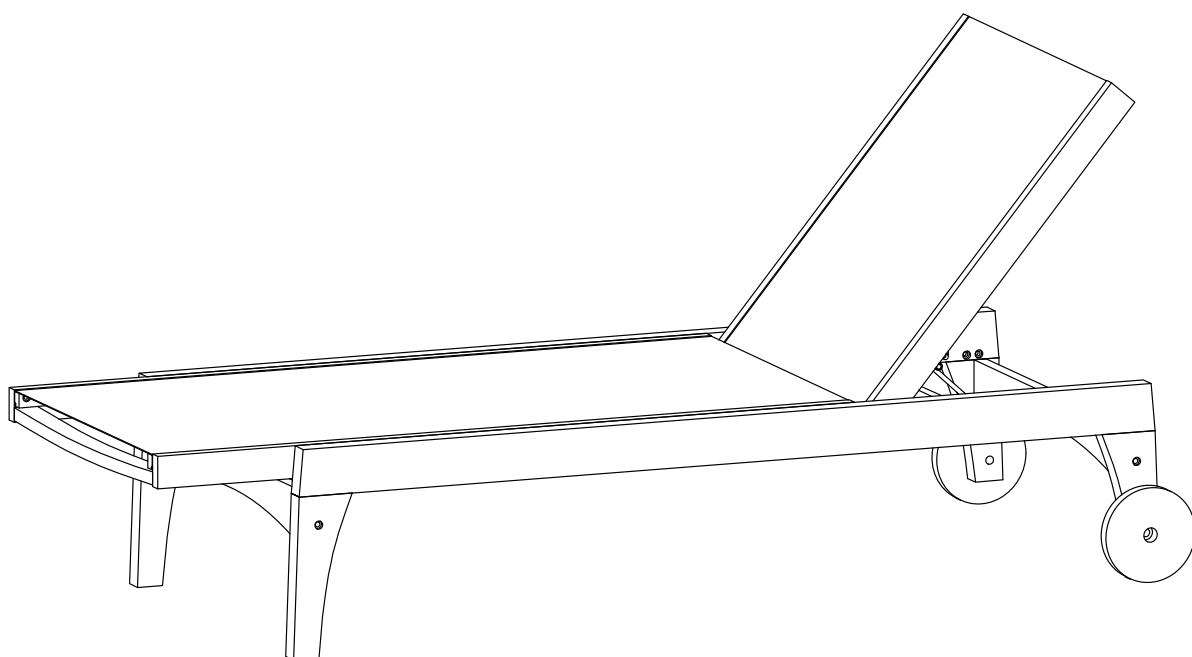
The examples pictured above are non exhaustive and are for your reference only

Care & Maintenance

- ⊘  • Not for commercial use. For residential use only.
- ⊘  • Prolonged exposure to rain may cause rusting which can stain floors.
- ⊘  • Do not put hot items directly on furniture surface.
- ⊘  • Do not clean furniture with harsh cleansers or polish
- ✓  • To obtain the longest lifespan of your outdoor products, minimizing exposure to direct sunlight is recommended.
- ⊘  • Children should not climb or jump on the furniture.
- ⊘  • Do not write on furniture without a padded barrier to protect the surface.
- ✓  • To obtain the longest lifespan of your outdoor products, avoid extended and lengthy exposure to rain, snow, and direct sunshine. Whenever possible cover the product and /or place under patio or awnings
- ⊘  • Stains may be removed with mild soap solution and damp cloth.
- ✓  • Keep away from sources of ignition.
- ✓  • Dust and pick-up spills using a clean, non-colored, lint-free cloth.

Please look into the **Bed Frame** for hardware packs.

LOUNGE





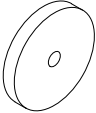
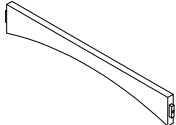
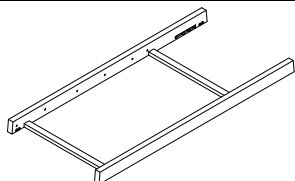
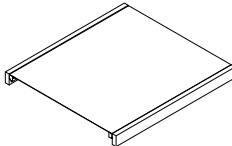
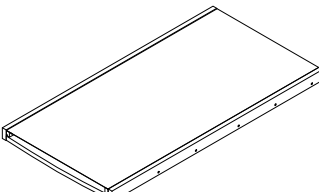


Caution: This Bed is NOT a TOY.





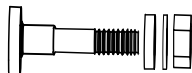
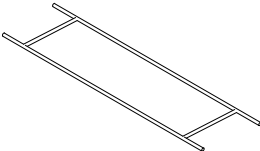




Keep your child/children at bay during the assembly process.

Whenever lifting or moving the Bed and to prevent damage to the Bed, two adults may be needed to execute these actions.

Part List

Label	Picture	Description	Qty
A		Right Back Leg	1
B		Left Back Leg	1
C		Right Front Leg	1
D		Left Front Leg	1
E		Wheel	2
F		Support Bar	2
G		Bed Frame	1
H		Backrest Panel	1
I		Seat Panel	1

Hardware

No.	Picture	Description	Qty
①		Screw (M4x25mm)	5
②		Screw (M6x30mm)	9
③		Screw (M7x70mm)	5
④		Bolt (M8x40mm)	11
⑤		Bolt (M8x45mm)	3
⑥		Bolt wheel Hub	3
⑦		Iron Frame (M10x675x640x170mm)	1
⑧		Metal support	2
⑨		Spanner	1
⑩		Screwdriver (Not Provided)	1
⑪		Allen Wrench	2

Assembly Preparation

Before Beginning Assembly:



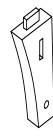
Ax1



Bx1



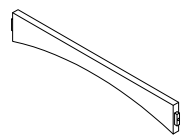
Cx1



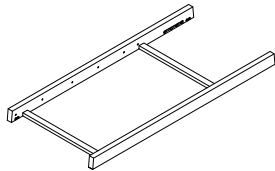
Dx1



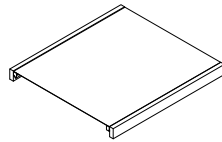
Ex2



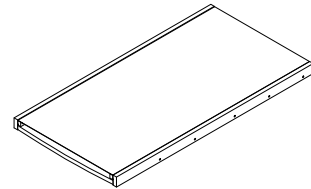
Fx2



Gx1



Hx1

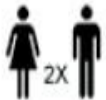


Ix1

- | | | |
|---|--|-----|
| ① | | x5 |
| ② | | x9 |
| ③ | | x5 |
| ④ | | x11 |
| ⑤ | | x3 |
| ⑥ | | x3 |
| ⑦ | | x1 |
| ⑧ | | x2 |
| ⑨ | | x1 |
| ⑩ | | x1 |
| ⑪ | | x2 |



- Read instructions, cover to cover-



- Have 2 adults on hand for assembly-



- Do not assemble on flooring or carpet-



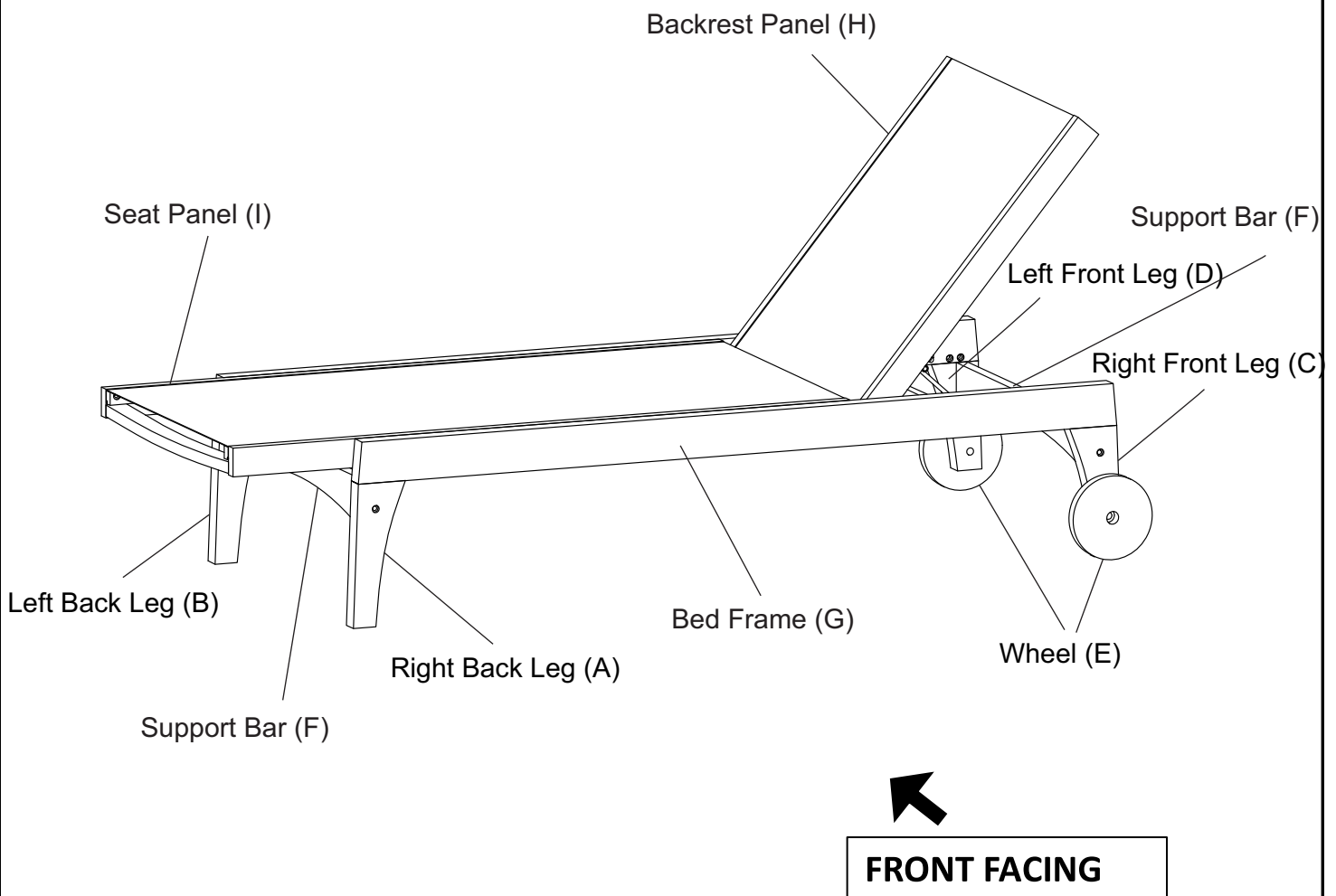
- Assemble on a clean non-marring surface (packing foam)-



- Save all packaging until finished-

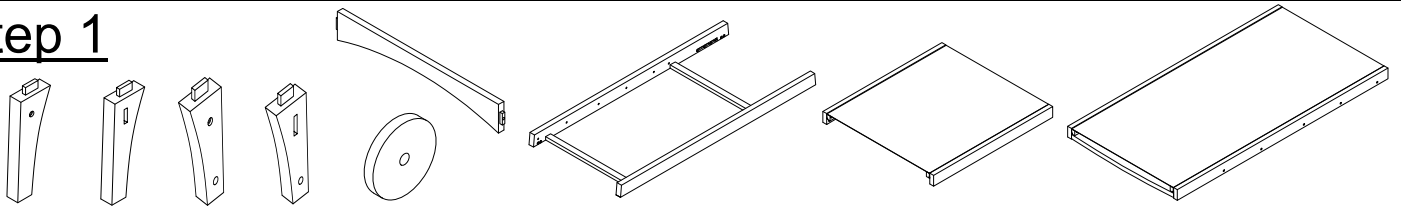
Assembly Steps

Overview



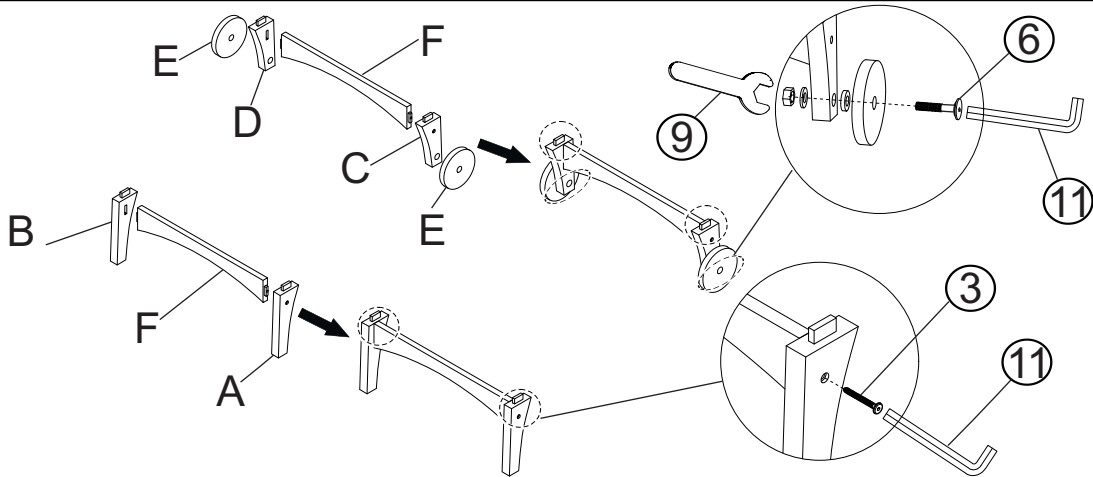
This Bed has multiple parts and may require up to 30 minutes to assemble. To give you an overview of the Bed parts, the above picture is to help you put the various parts into perspective. Please read through the instructions below to familiarise yourself with the parts and steps before assembly.

Step 1



Unpack and place all parts on a clean, non-marring surface.

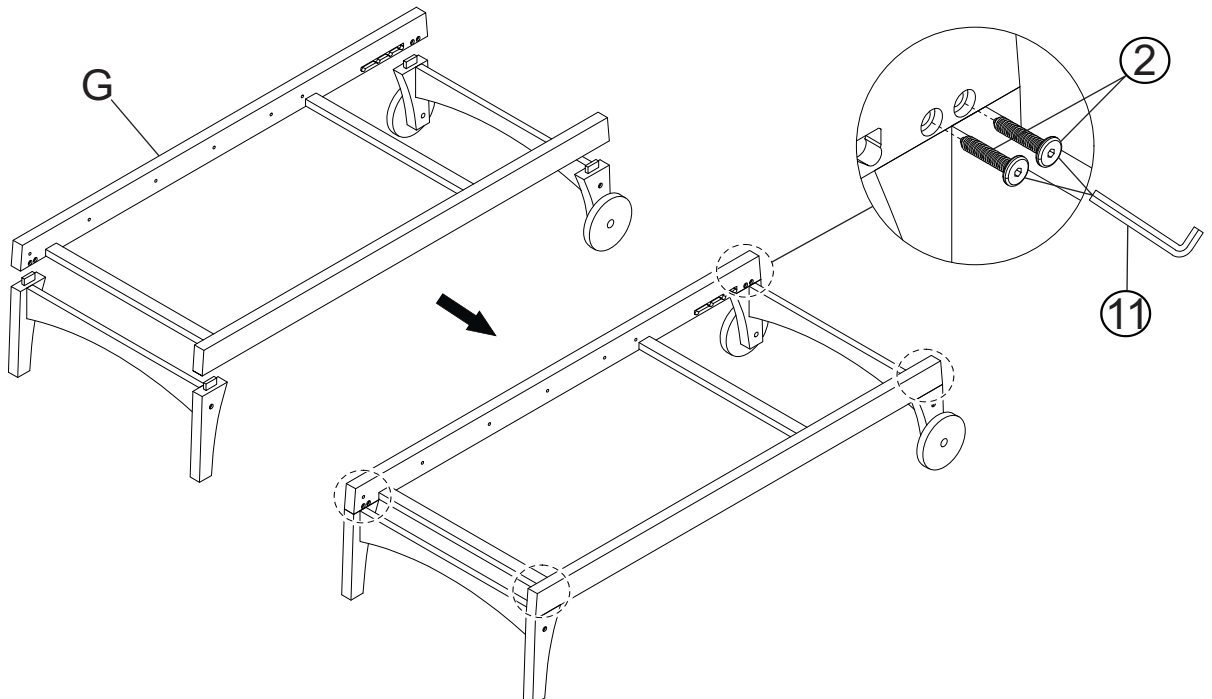
Step 2



2. Place the Support Bar (F) upright as shown in the picture above onto a clean, soft surface to avoid any scratches or damages to the product. With assistance from your adult partner, attach the Right Back Leg (A), Left Back Leg (B), Right Front Leg (C), Left Front Leg (D) and Wheel (E) to the Support Bar (F) using Screw (3) and Bolts (6) with Allen Wrench (11) and Spanner (9) as shown above.

Do not fully tighten the Screws and Bolts.

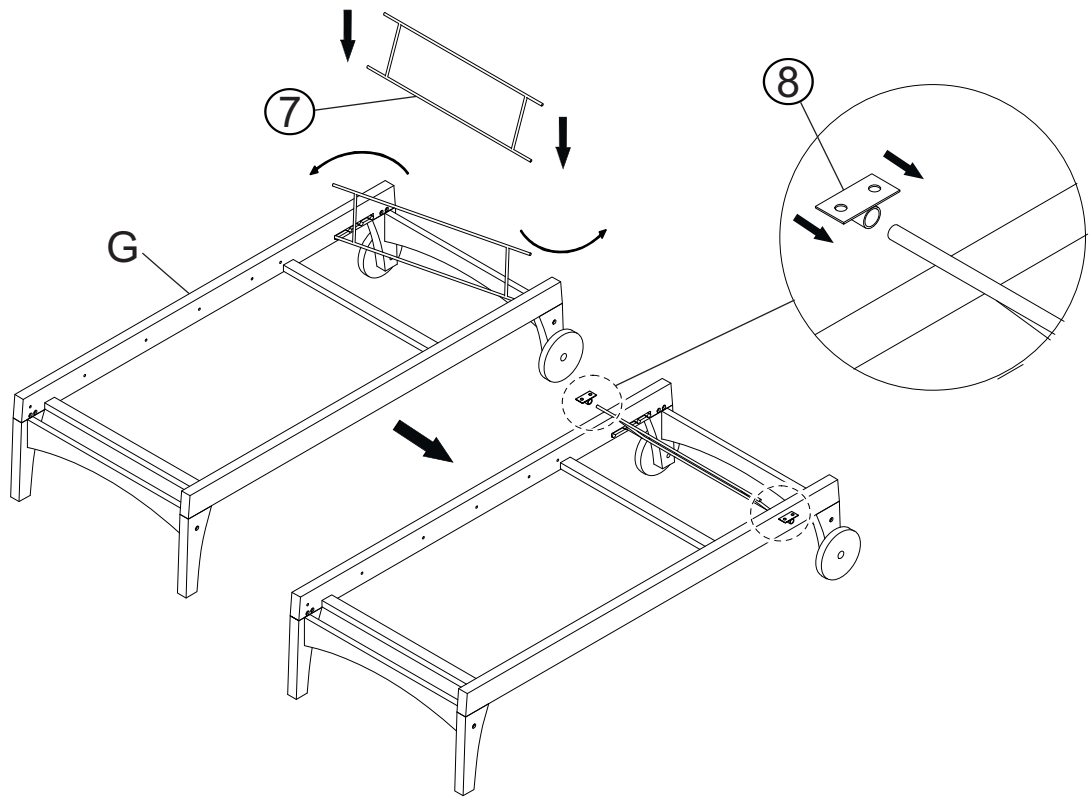
Step 3



3. Attach the Bed Frame (G) into the Leg Bed as shown in picture above. Affix the Bed Frame (G) to the Leg (A, B, C, D) using Screws (2) and with Allen Wrench (11).

Do not fully tighten the Screws .

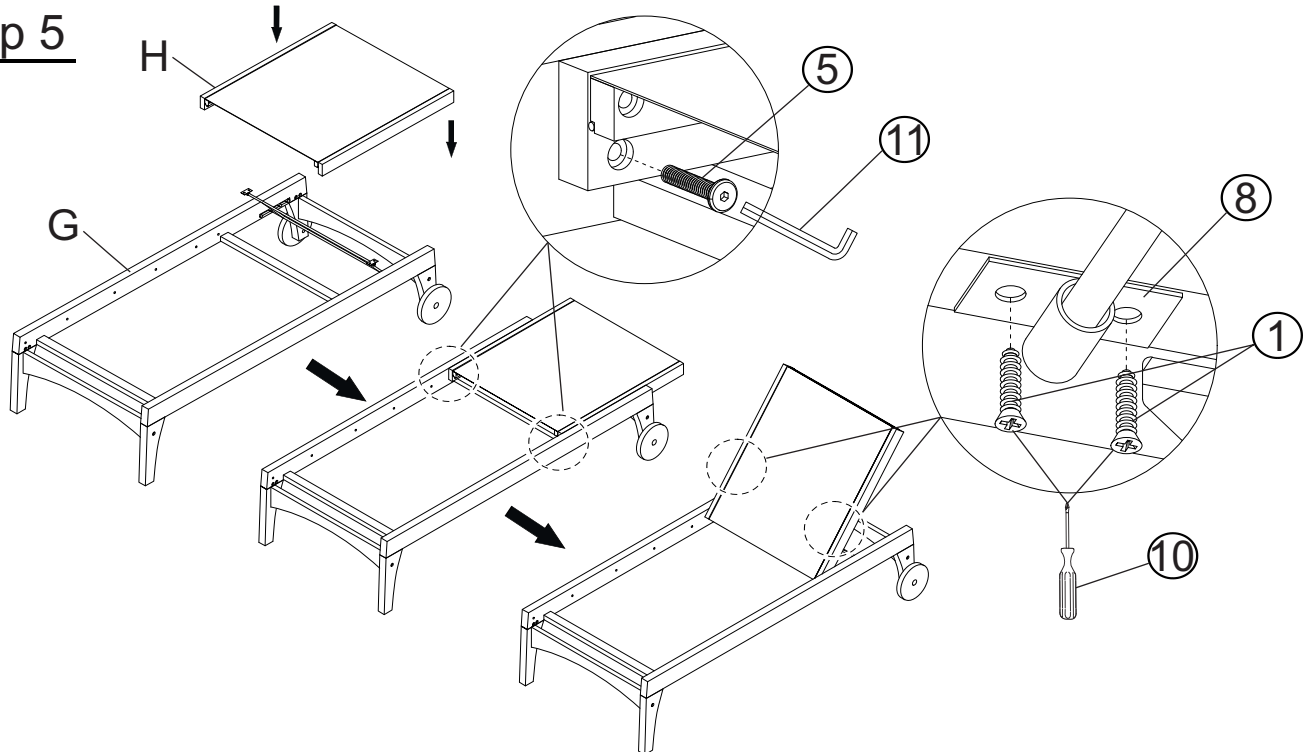
Step 4



4. Attach the Iron Frame (7) and Metal support (8) in Bed Frame (G) to the assembled frame in step 3, Attach Iron Frame (7) by tilting 35 degrees to the left and then to the right as shown in the illustration, the Metal support (8) into the Iron Frame (7) as shown above.

Must put the Iron Frame on the rail before tilting .

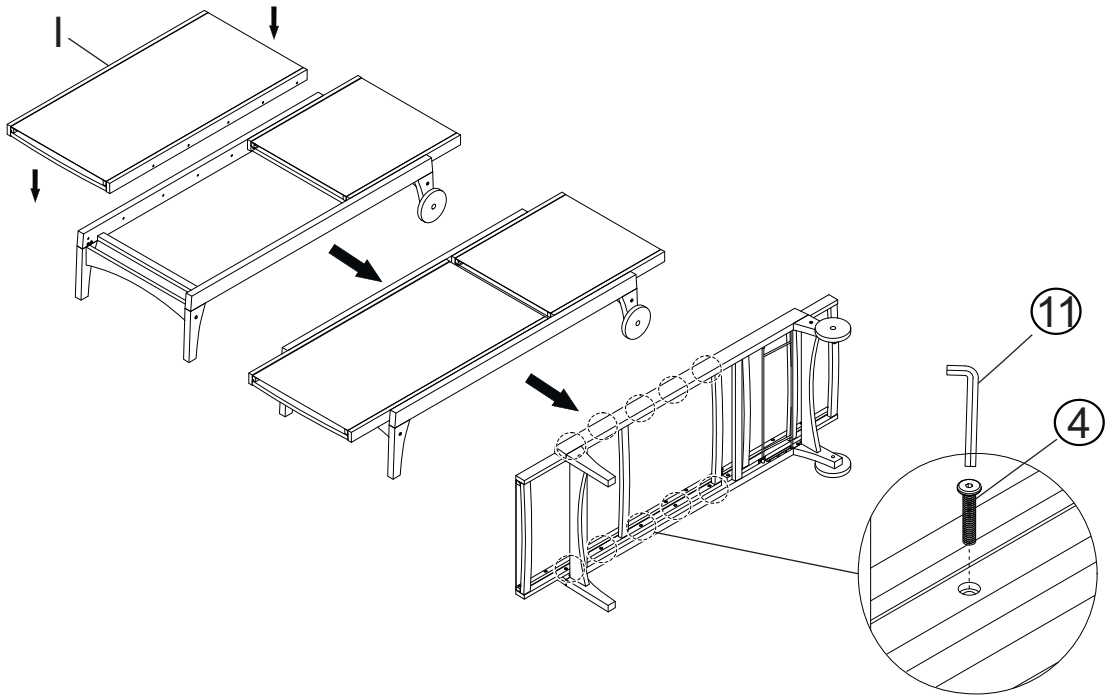
Step 5



5. Attach the Backrest Panel (H) into the Bed as shown in picture above. Affix Backrest Panel (H) to the Bed using Bolts (5) and Screws (1) with Allen Wrench (11) and Screwdriver (10) .

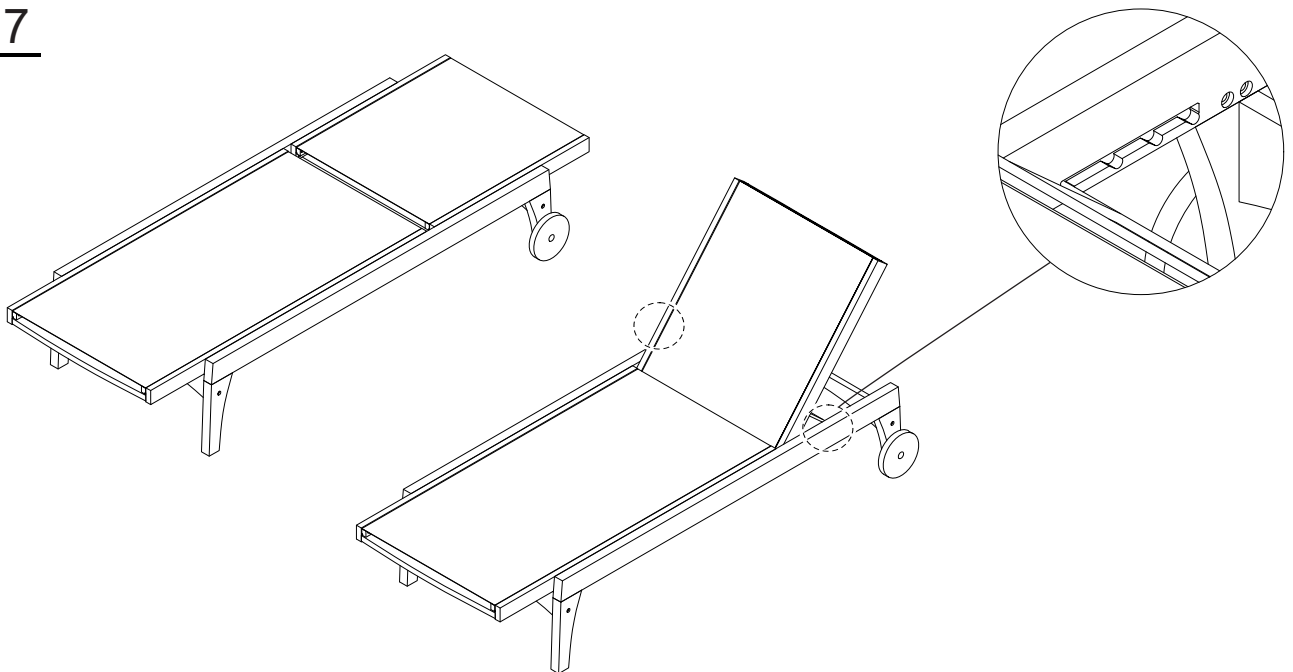
Do not fully tighten the Bolts and Screws .

Step 6



6. Attach the Seat Panel (I) into the Bed as shown in picture above . Affix the Seat Panel (I) to the Bed using Bolts (4) with Allen Wrench(11).
Do not fully tighten the Bolts .

Step 7



With assistance from your adult partners, turn the Sunlounger right side up.
EXERT pressure, floorwards, onto the Seat.
This pressure will help the Legs and seat panel reach alignment at all joints.
Check for wobbles.

In a sequential manner, gradually tighten all Bolts, until evenly secured.
Inspect the Sunlounger and make sure all parts are adequately connected.
Your Sunlounger is ready for use.

This Sunlounger can only be used on a flat, level surface.

Caution: Be careful when folding Backrest to avoid the finger strapped at the folding joint.

Note: Align the Backrest of Sunlounger in position you want.