

INSTALLATION

Product Manual

Version: 460027-01-24A-LJ



IMPORTANT INFORMATION!

please read the entire manual before starting to assemble and/or using this product. follow the manual thoroughly and keep it for further reference.



AVOID SCRATCHES!

In order to avoid scratching this furniture should be assembled on a soft layer - could be a rug.



IMPROVE EFFICIENCY !

Try to find a partner to install with you, which can speed up the installation efficiency and shorten the time.



ANTI-TOPPLE WARNING !

Overturnd furniture can cause serious or fatal crush injuries. To prevent tipping over, be sure to use the wall attachment, if not included with this product. Please purchase the wall attachment that fit your wall. If unsure, seek professional advice. Please read and follow each step of the instructions carefully.

IMPORTANT !

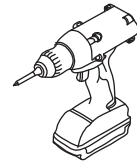
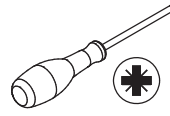
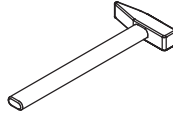
It is important that any product which is assembled using any kind of screw is re-tightened 2 weeks after assembly, and once every 3 months - in order to assure stability through-out the lifespan of the product.

For regular maintenance and cleaning of the product, for the frame, please use a rag dipped in neutral detergent to fully wipe it, and then dry it with a clean rag. For glass materials, wipe with a rag dampened with water glass cleaner, and then dry with a dry rag.

Do not use an electric screwdriver, and do not use too much force when installing, because the board is easy to break.

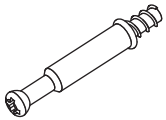


Please prepare the following tools



When installing, please carefully confirm whether each screw corresponds to the manual, accessories with similar shapes can be distinguished by size

A x 102



Ø6 x 35 mm

B x 110



Ø15 x 10 mm

C x 4



Ø6 x 30 mm

D x 72



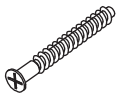
Ø3.5 x 14 mm

E x 16



Ø8 x 50 mm

F x 82



Ø5 x 40 mm

G x 4



Ø3.5 x 14 mm

H x 2



Ø3.5 x 50 mm

I x 17



Ø3.5 x 25 mm

J x 2

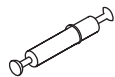


DW

K x 1

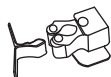


L x 4



Ø6 x 67 mm

M x 2



M -2 M -1

N x 16



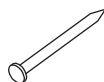
O x 14



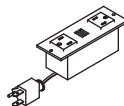
P x 5

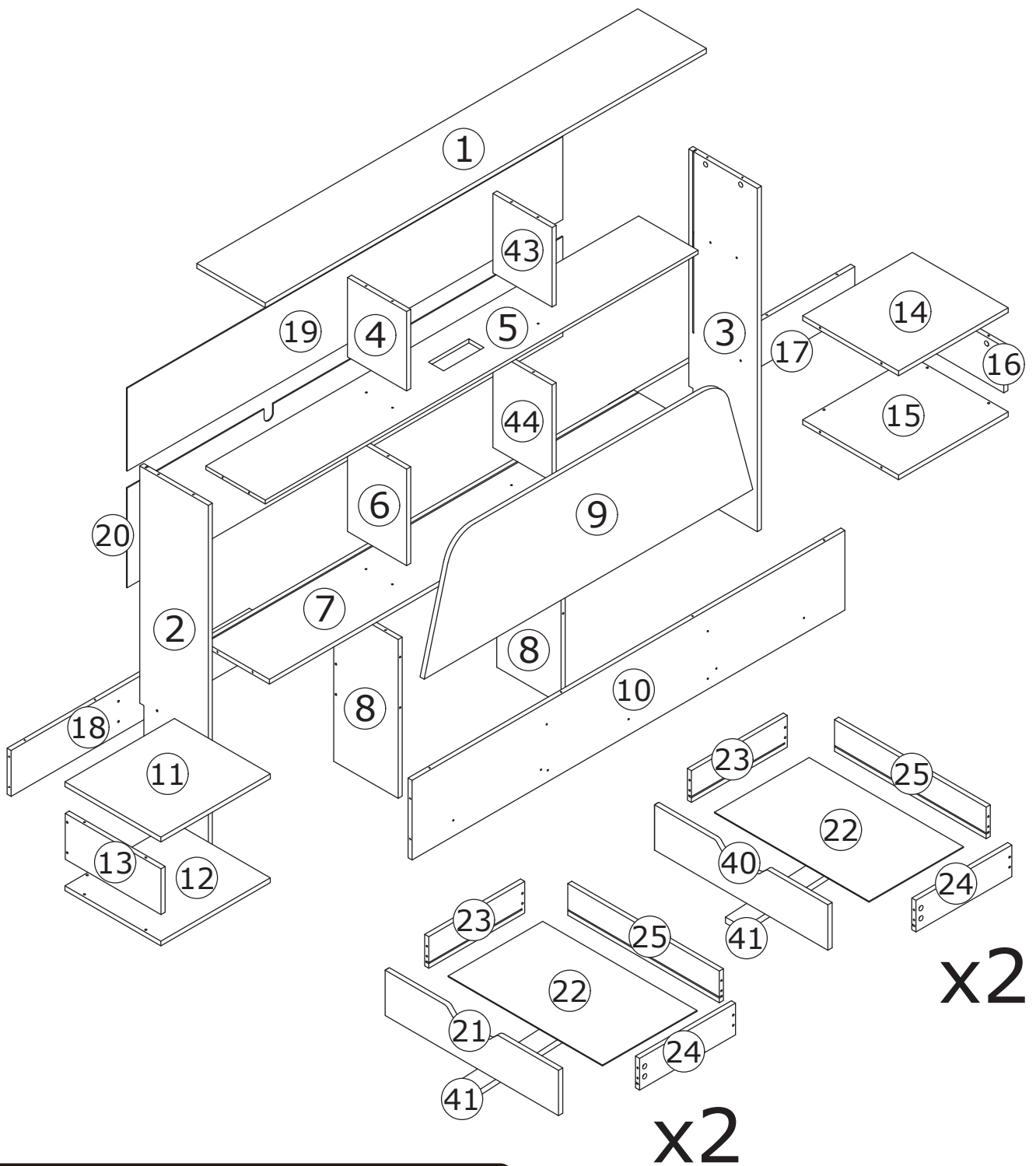


Q x 5



R x 1





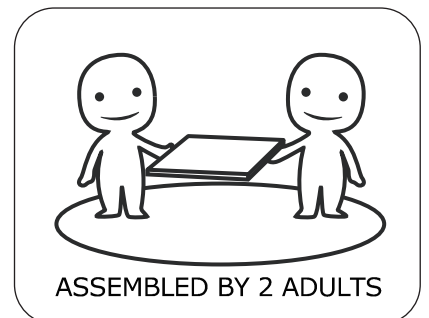
⚠ WARNING

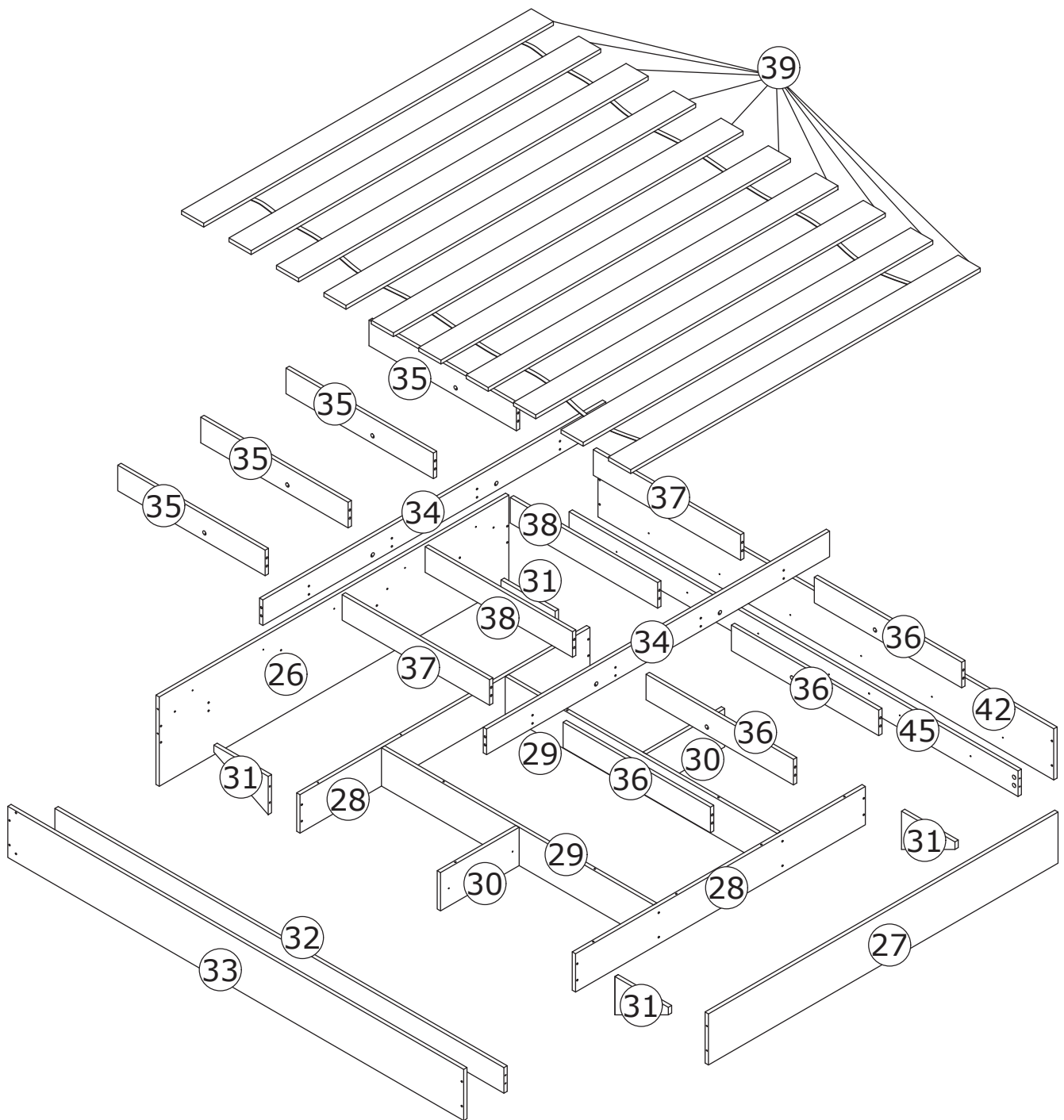


Children have died from furniture tipover. To reduce the risk of furniture tipover:

- ALWAYS install Anti-tip device provided.
- NEVER put a TV on this product.
- NEVER allow children to stand, climb or hang on drawers, doors, or shelves.
- NEVER open more than one drawer at a time.
- Place heaviest items in the lowest drawers.

*This is a permanent label.
Do not remove!*





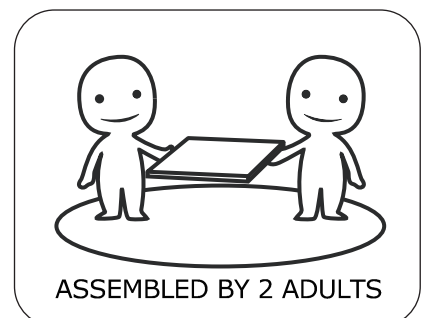
⚠ WARNING




Children have died from furniture tipover. To reduce the risk of furniture tipover:

- ALWAYS install Anti-tip device provided.
- NEVER put a TV on this product.
- NEVER allow children to stand, climb or hang on drawers, doors, or shelves.
- NEVER open more than one drawer at a time.
- Place heaviest items in the lowest drawers.

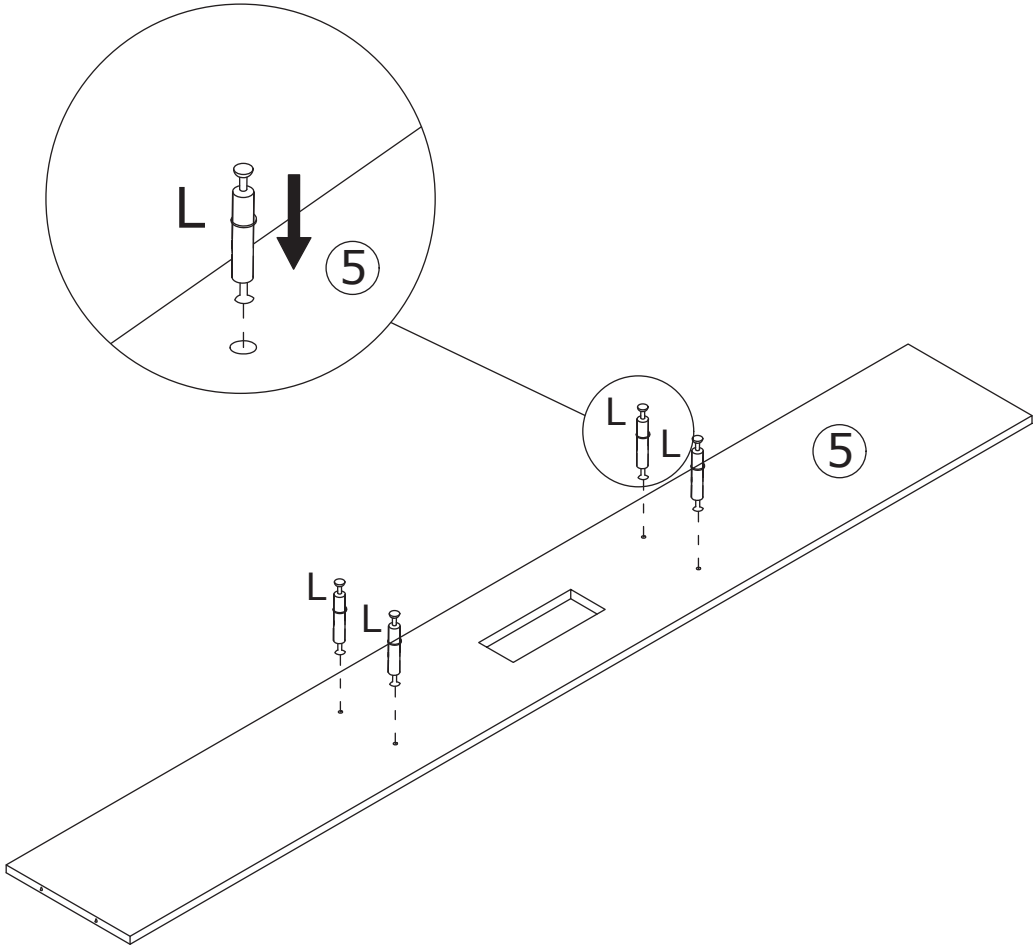
*This is a permanent label.
Do not remove!*



1

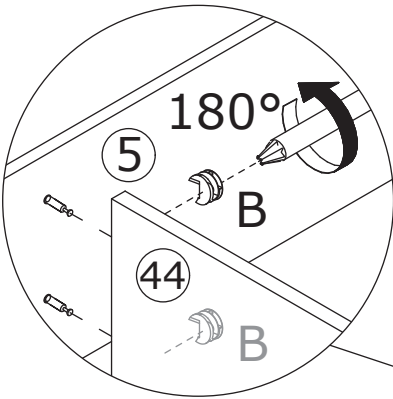
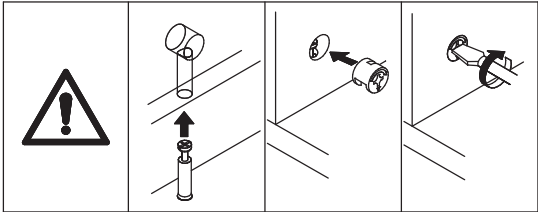
L x 4

Ø6 x 67 mm

Screw eccentric rod(L)
into board 5 at first.

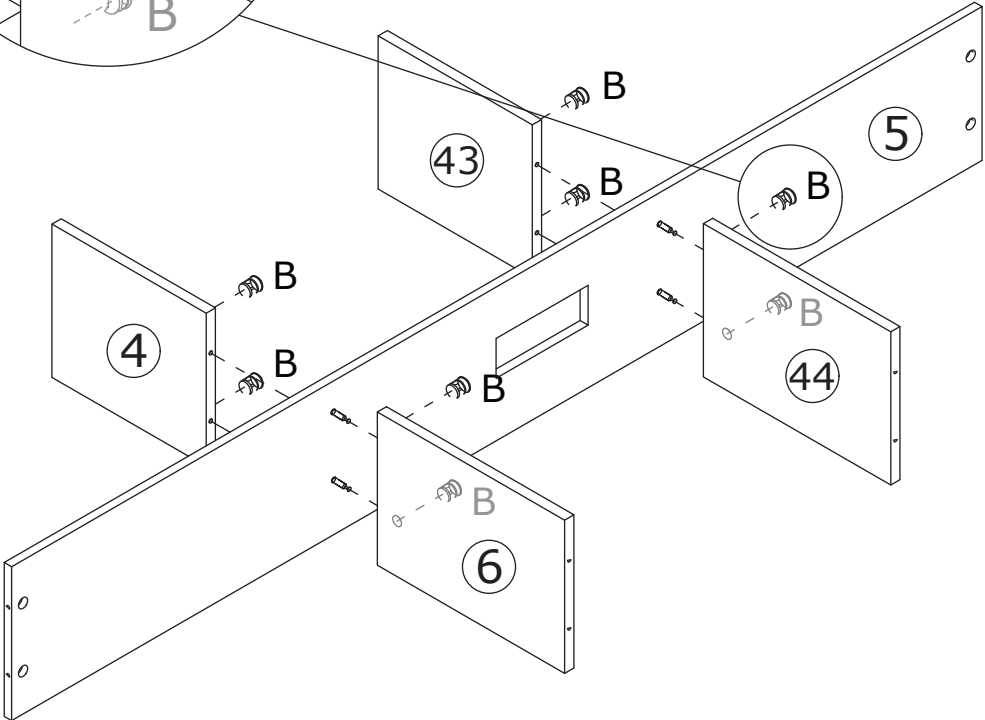


2

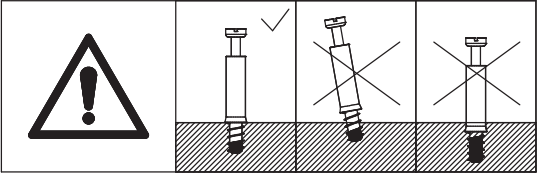
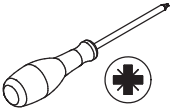
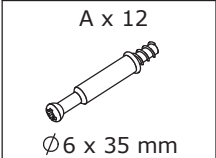
B x 8
Ø15 x 10 mm



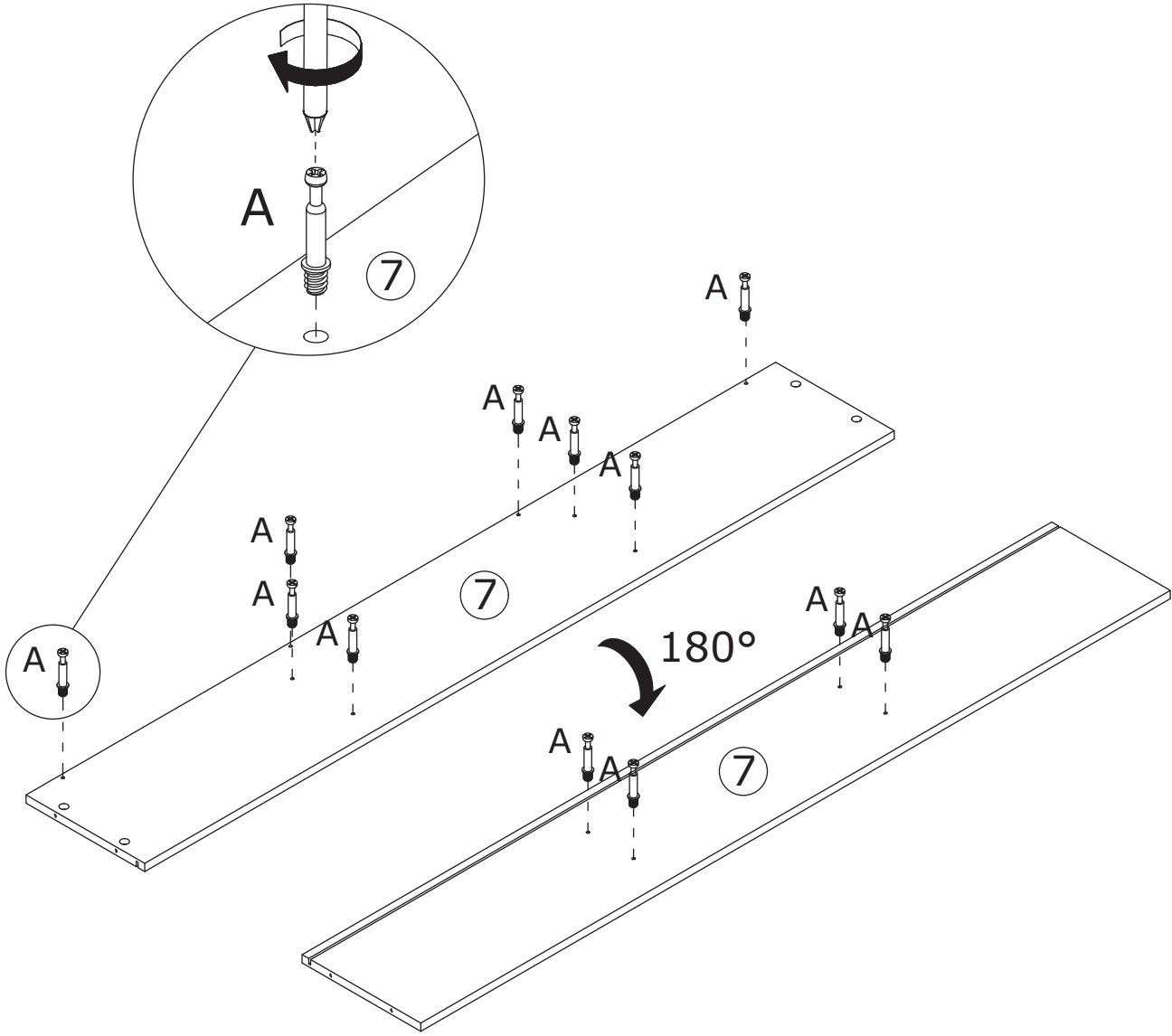
Connect board 4, 6, 43 and 44 to board 5, add cam lock(B) into board 4, 6, 43, 44 and turn clockwise to tighten as shown.



3



Screw eccentric rod(L) into board 7 at first.
Flip to back, screw eccentric rod(L) into as well.

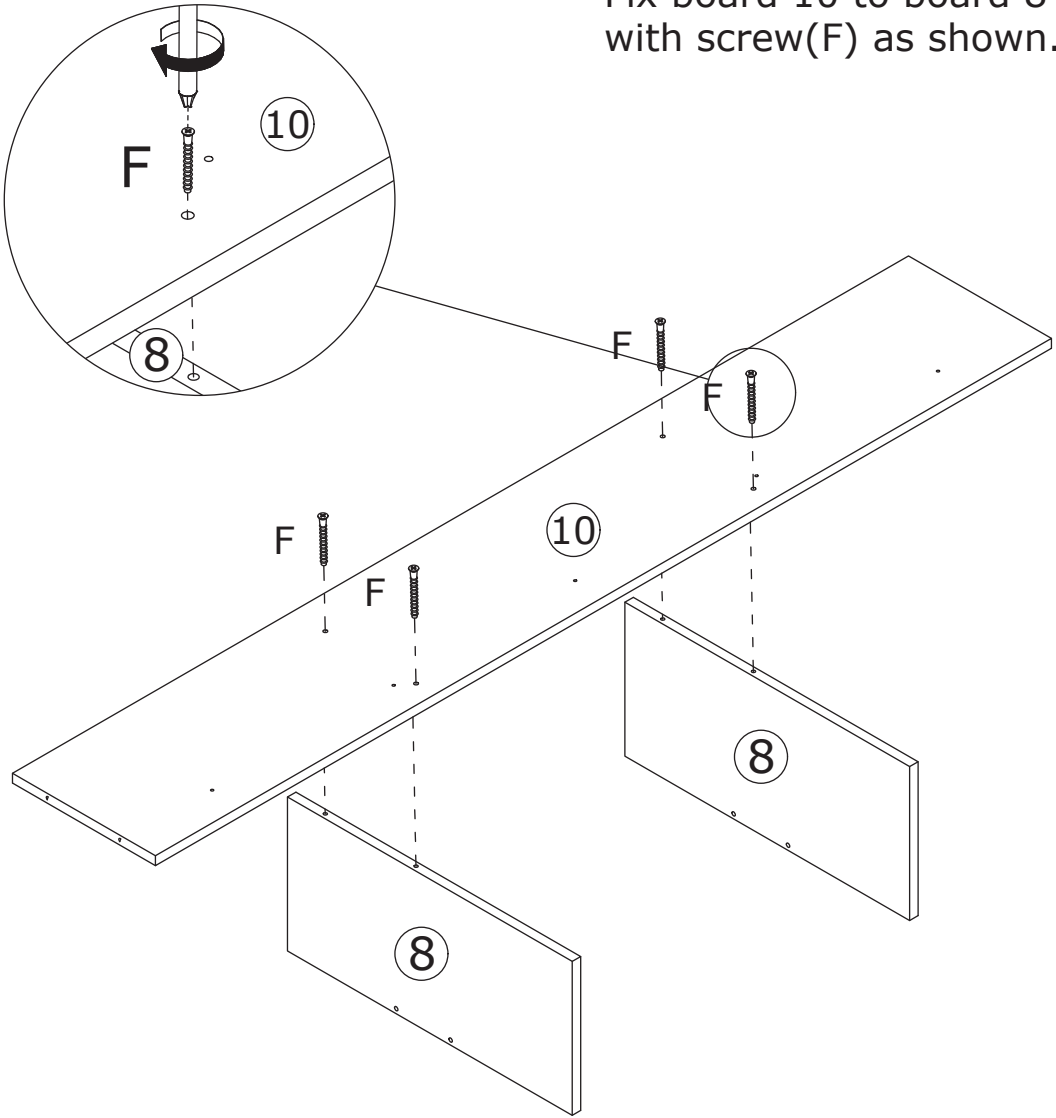


4

F x 4
Ø5 x 40 mm

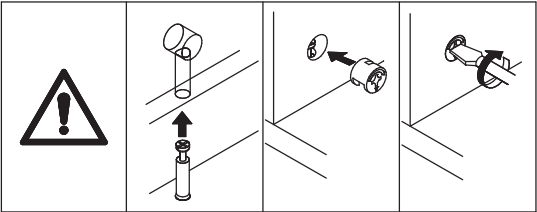


Fix board 10 to board 8 with screw(F) as shown.

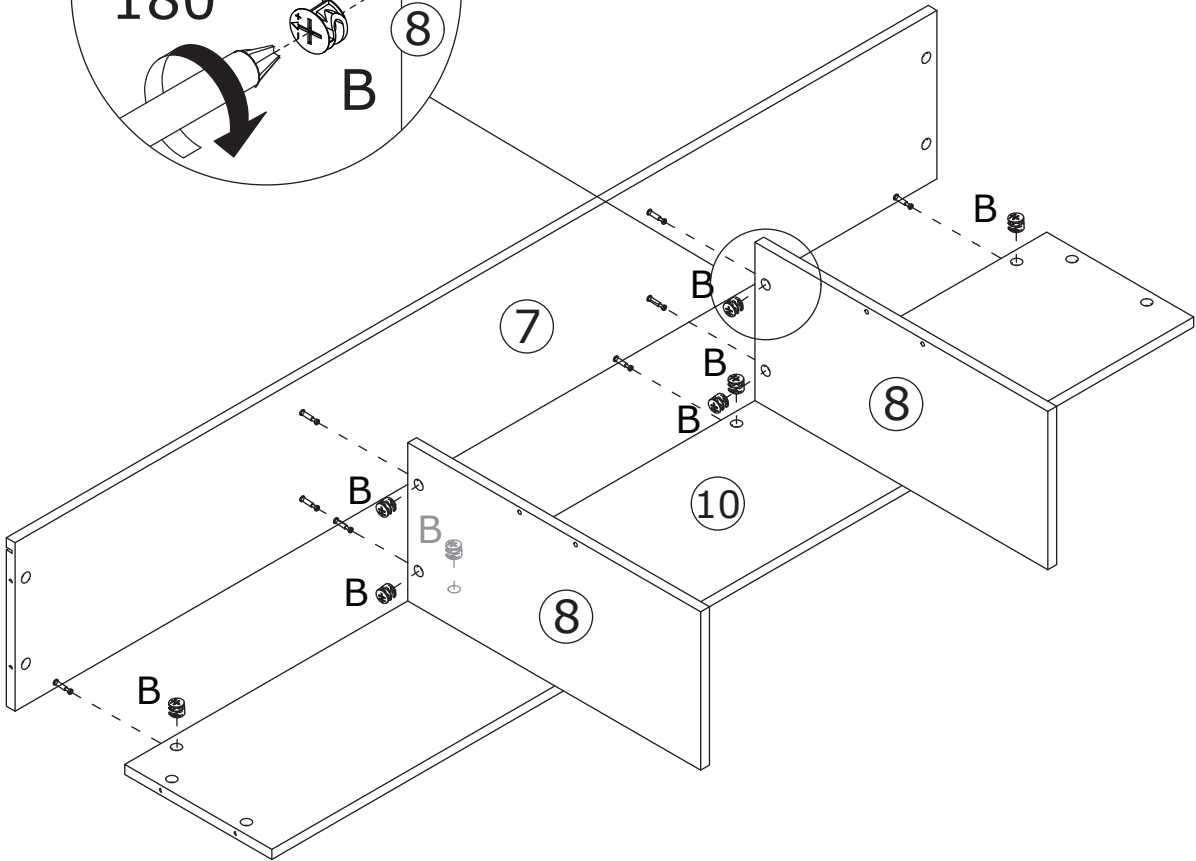
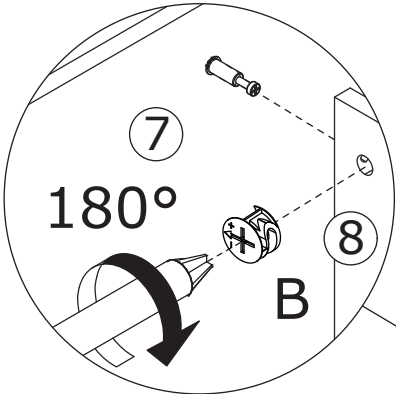


5

B x 8
Ø15 x 10 mm



Connect board 7 to board 8 and 10, add cam lock(B) into board 8, 10 and turn clockwise to tighten as shown.

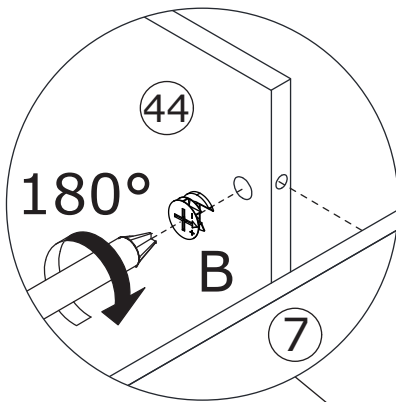
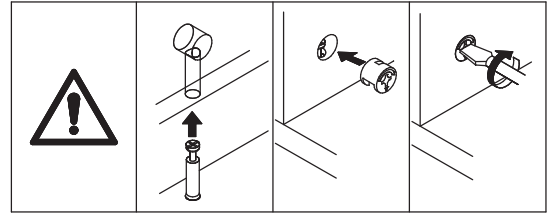
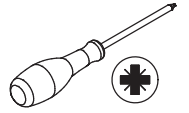


6

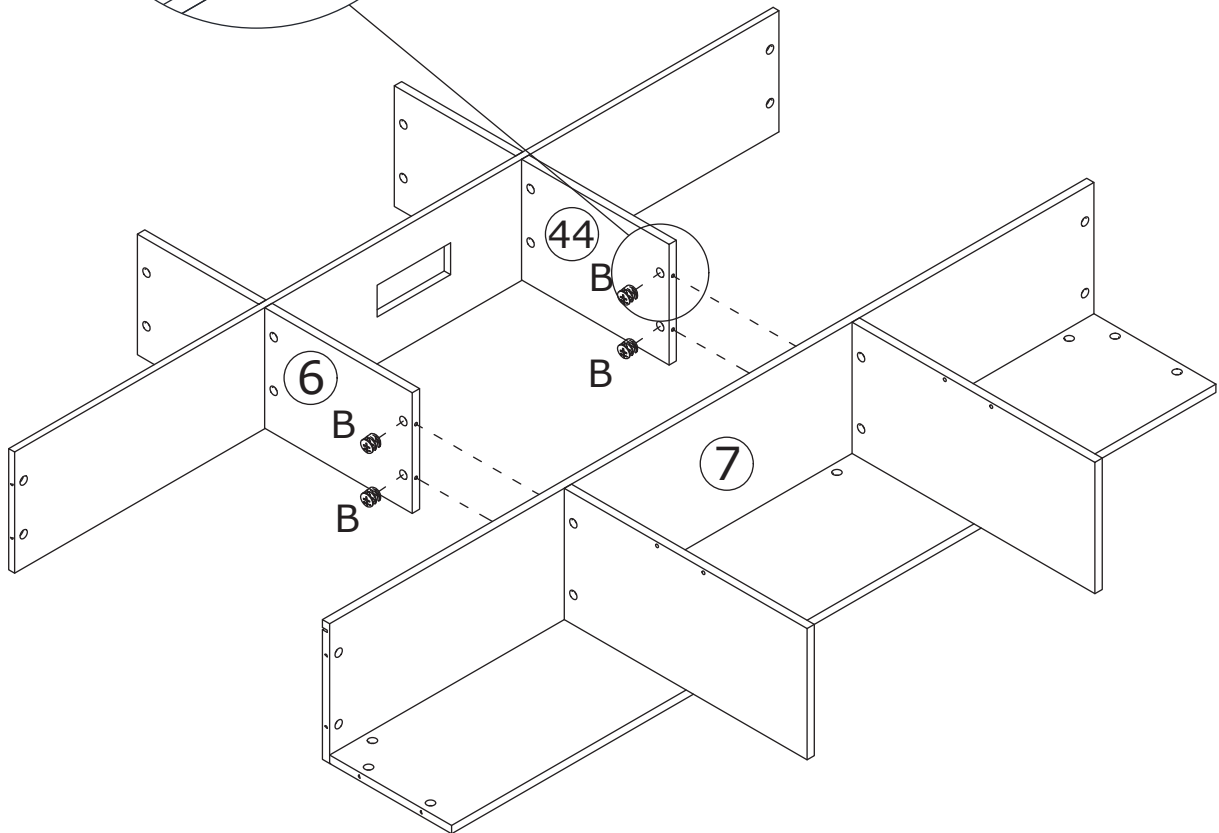
B x 4



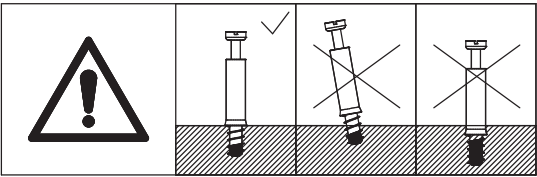
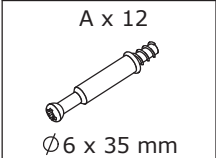
Ø15 x 10 mm



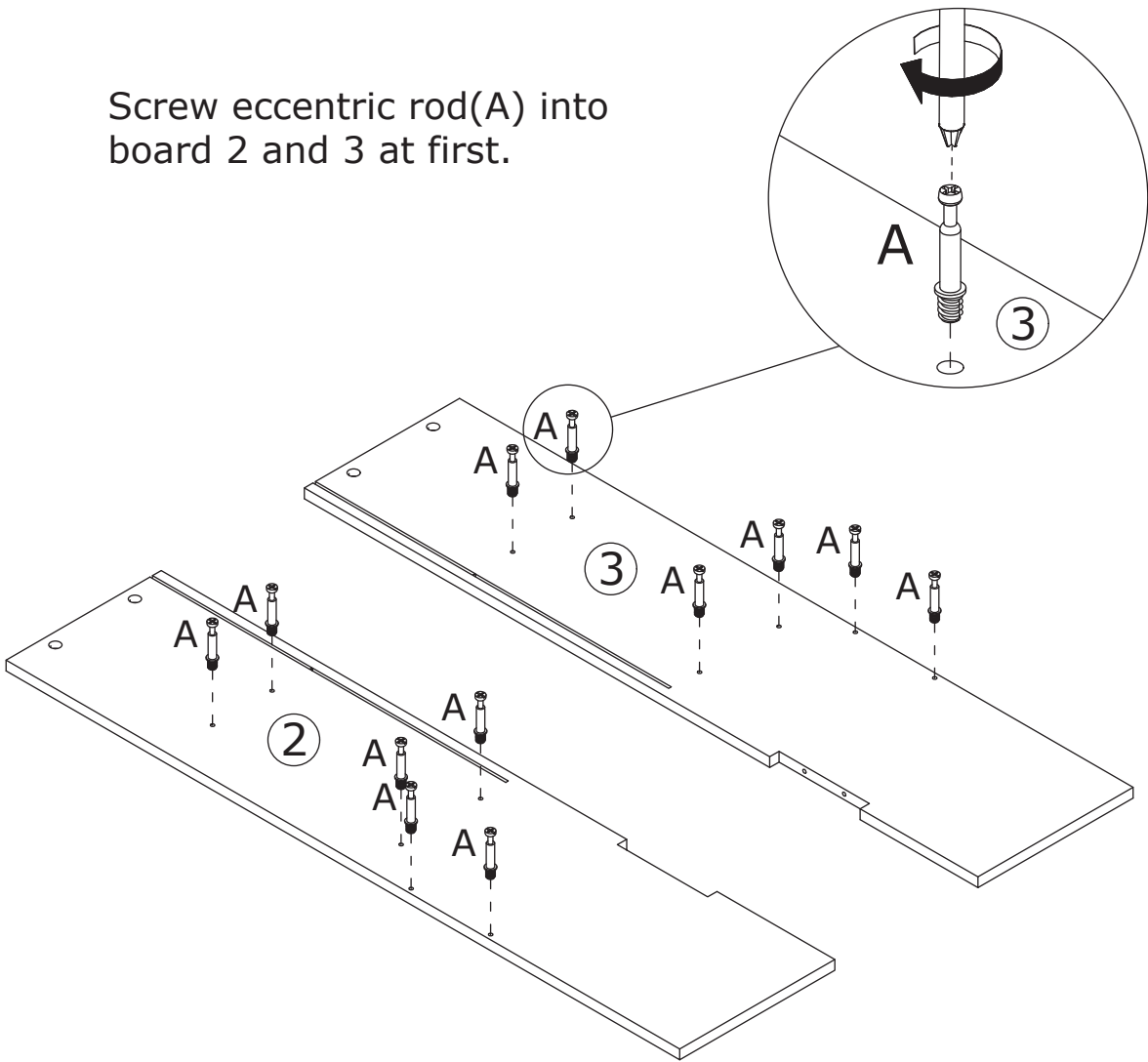
Connect board 7 to board 6 and 44, add cam lock(B) into board 6, 44 and turn clockwise to tighten as shown.



7



Screw eccentric rod(A) into board 2 and 3 at first.

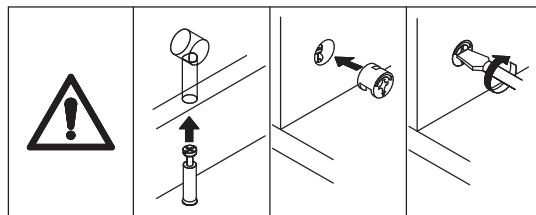
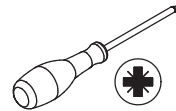


8

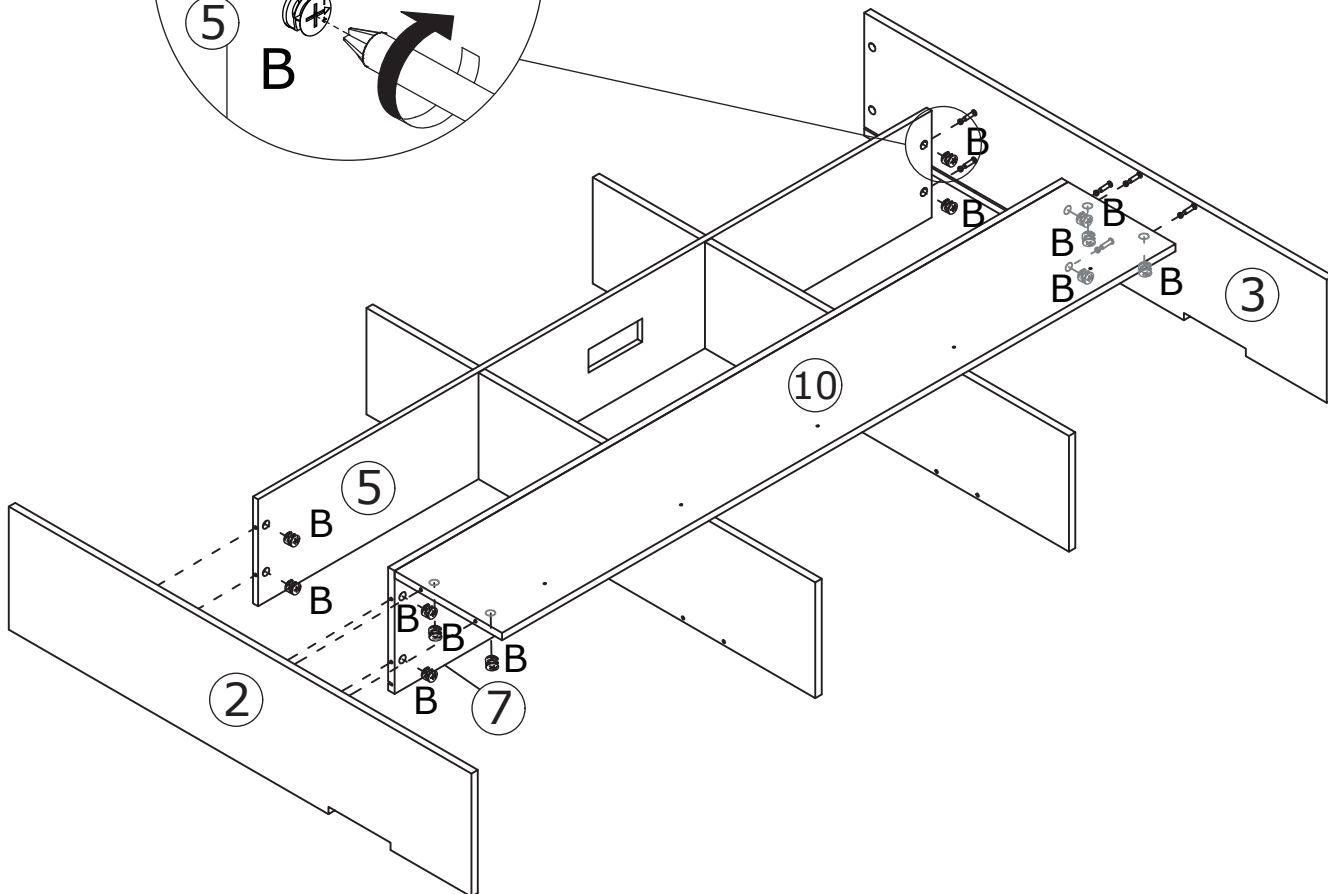
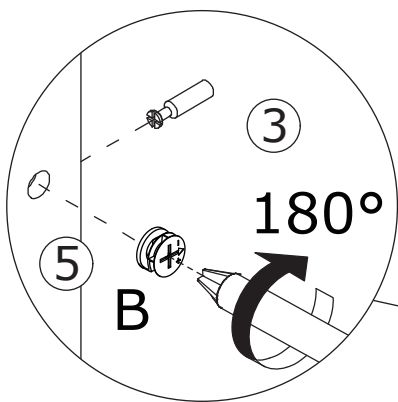
B x 12



Ø15 x 10 mm



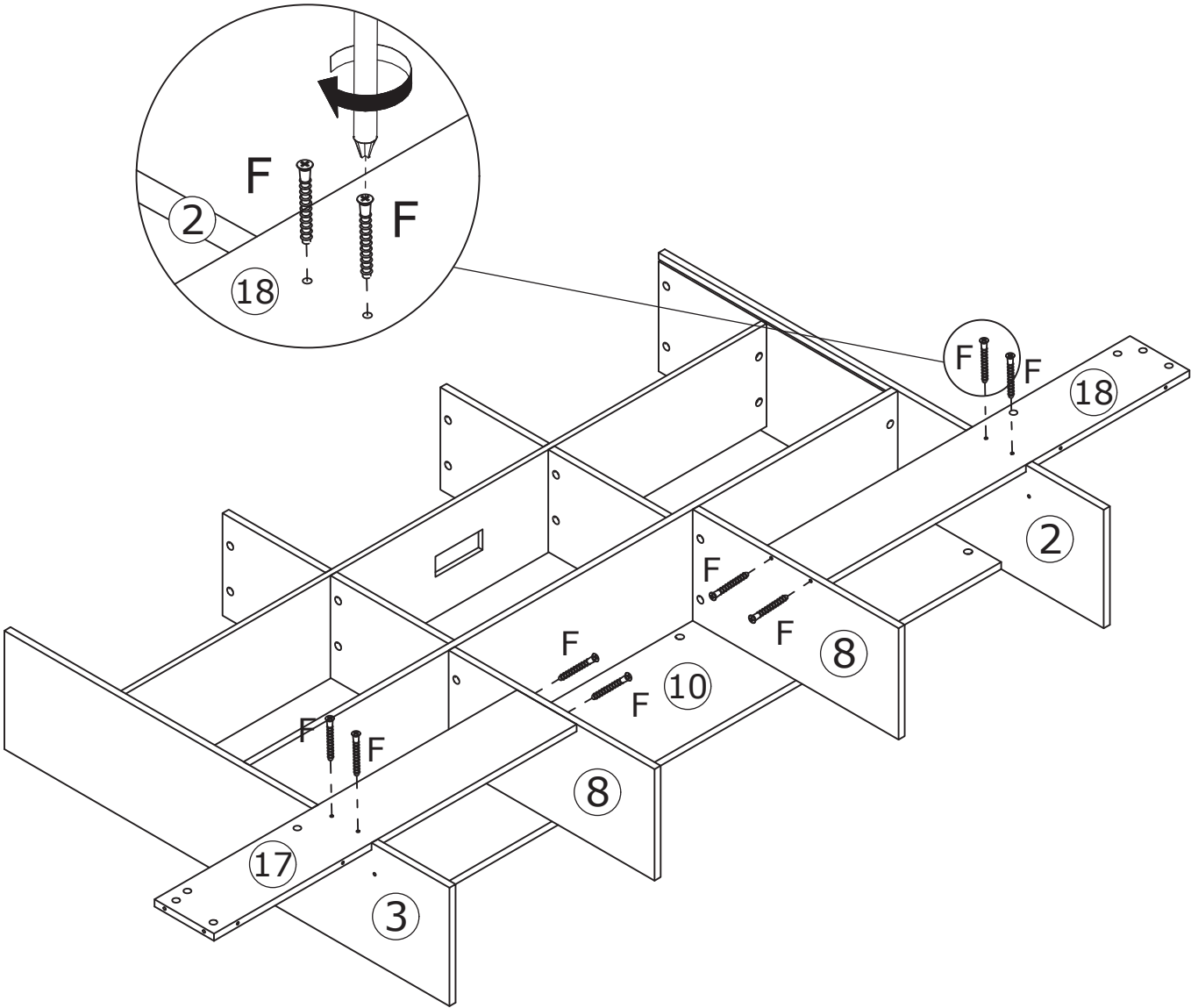
Connect board 2 and 3 to board 5, 7 and 10, add cam lock(B) into board 5, 7, 10 and turn clockwise to tighten as shown.



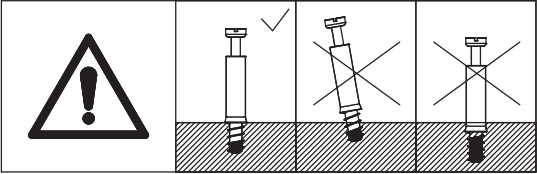
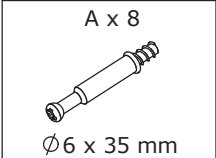
9



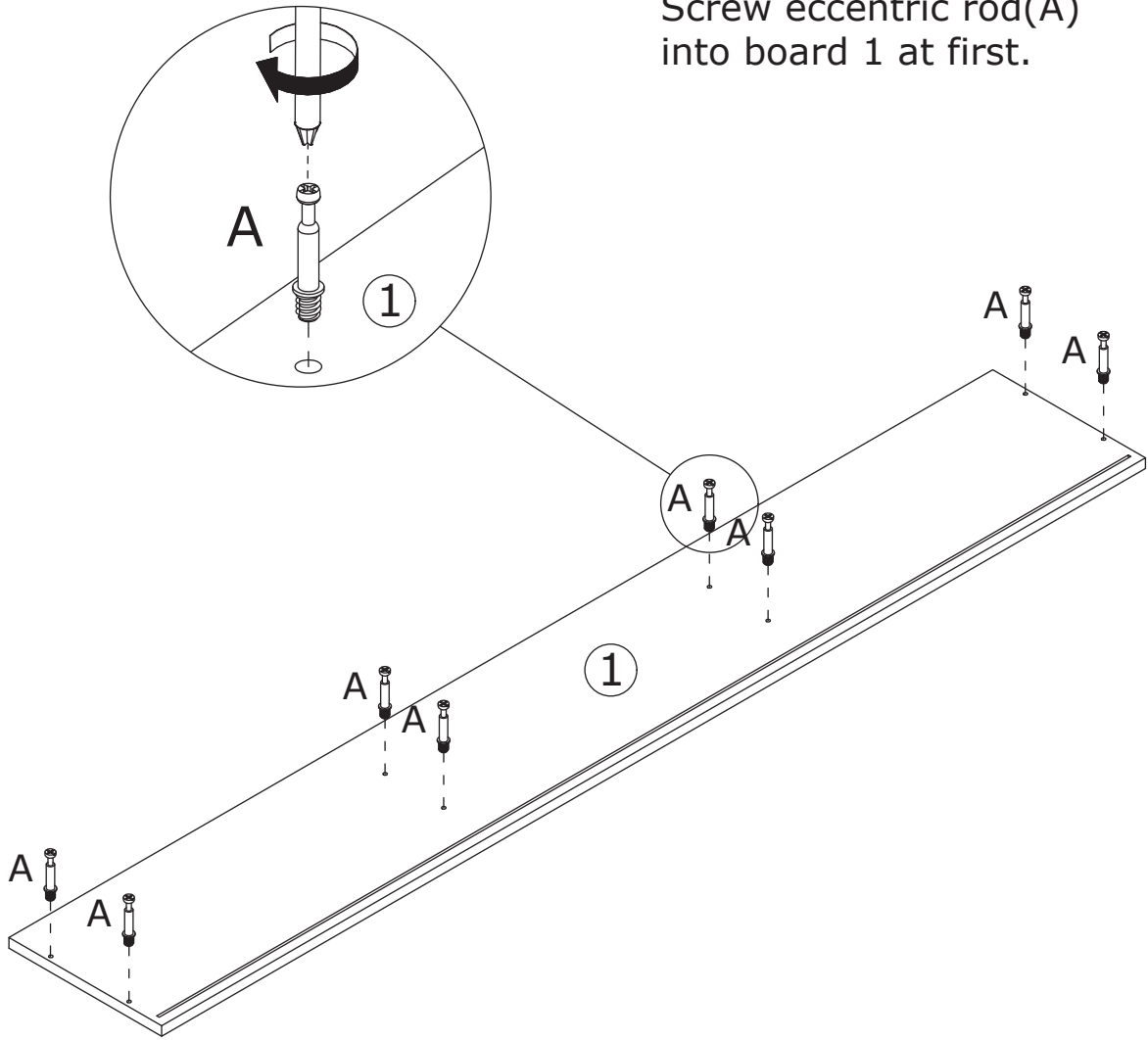
Fix board 17 to board 8 and 3 with screw(F) as shown.
Fix board 18 to board 8 and 2 with screw(F) as shown.



10

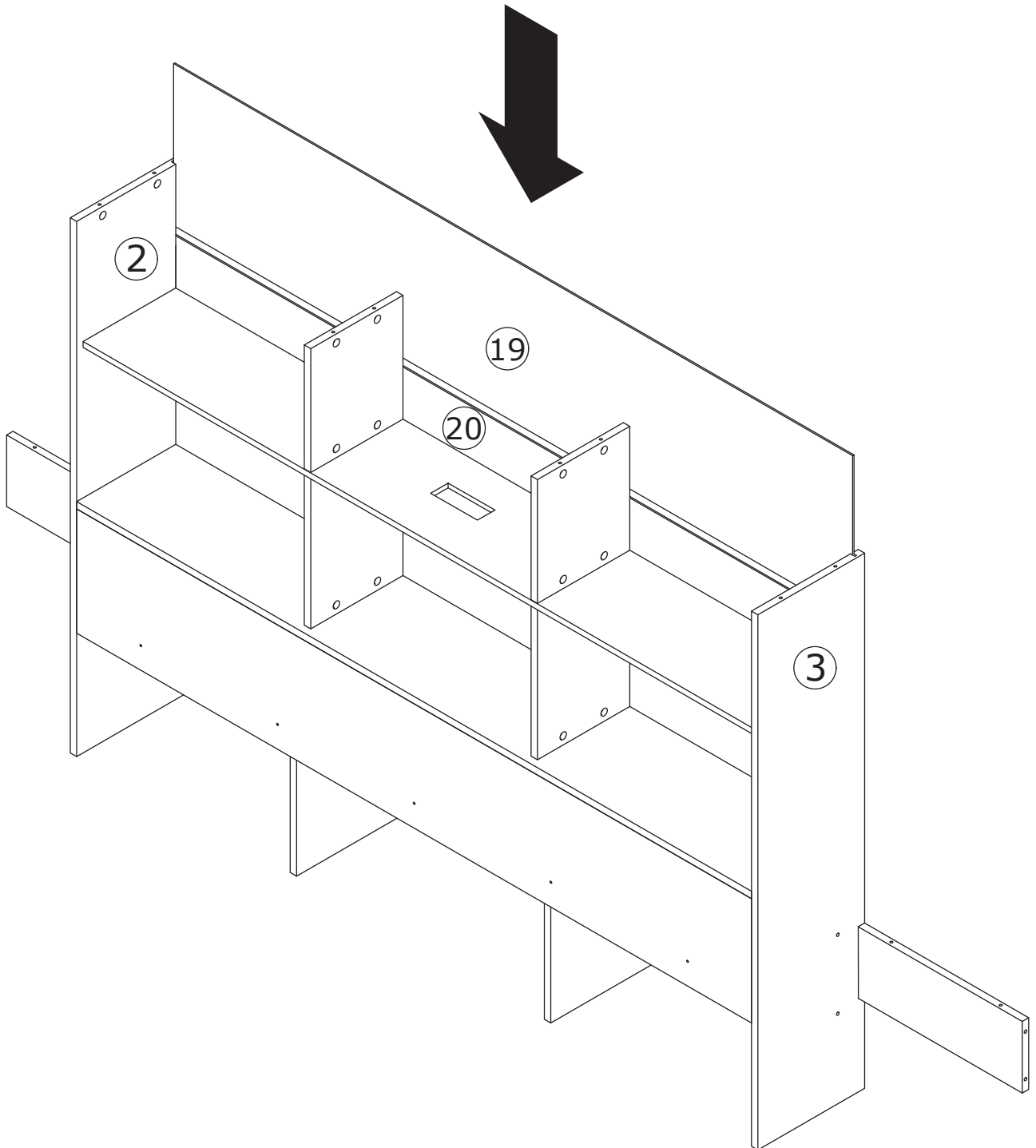


Screw eccentric rod(A)
into board 1 at first.



11

Insert back board 19 and 20 along available grooves as shown.

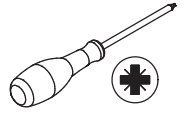


12

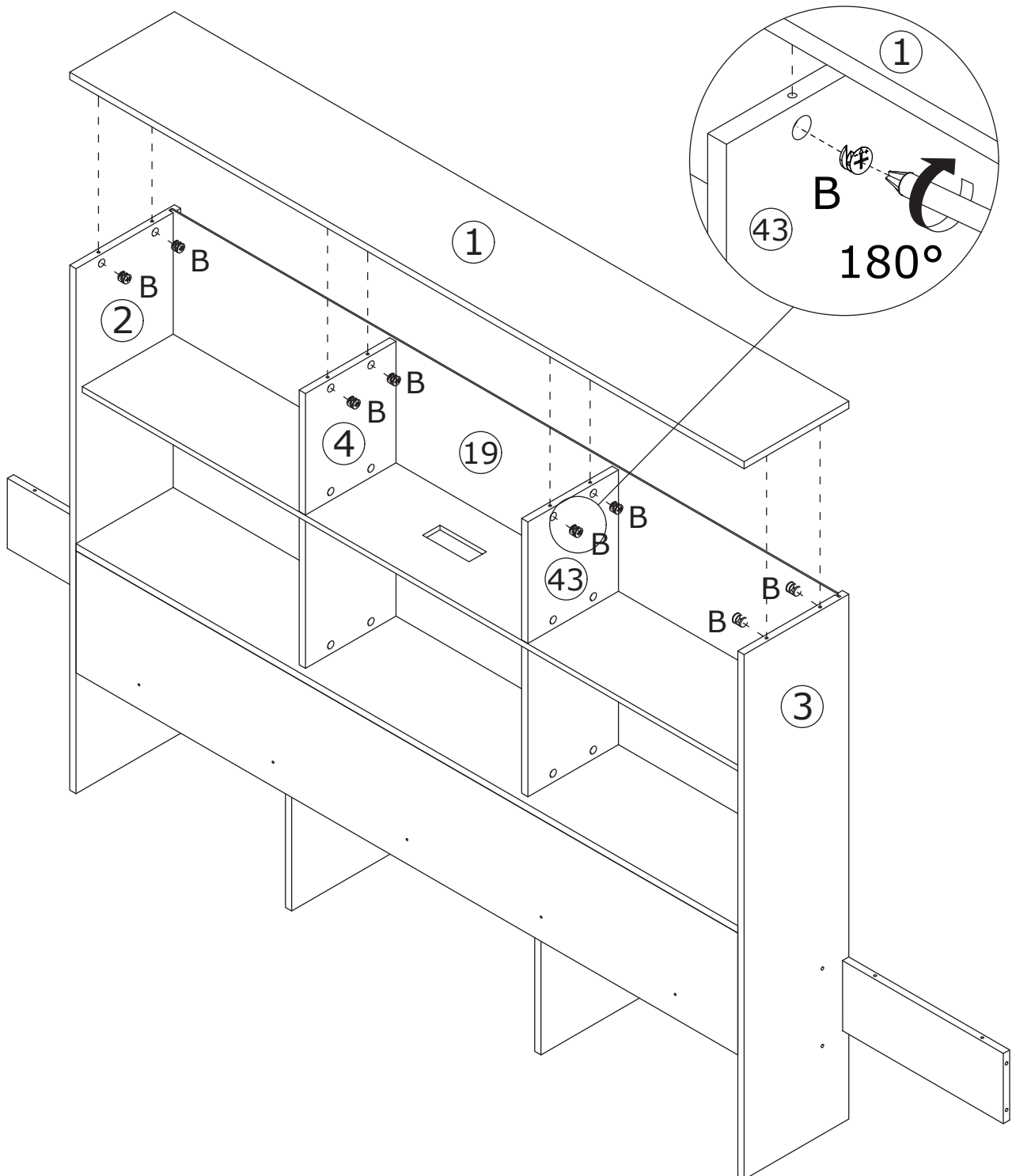
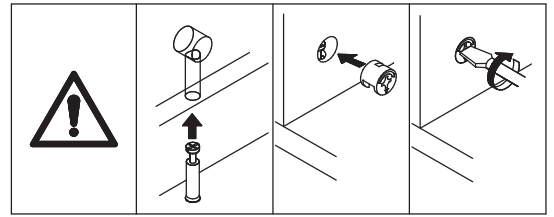
B x 8



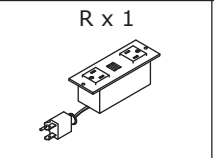
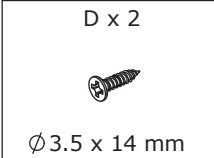
Ø15 x 10 mm



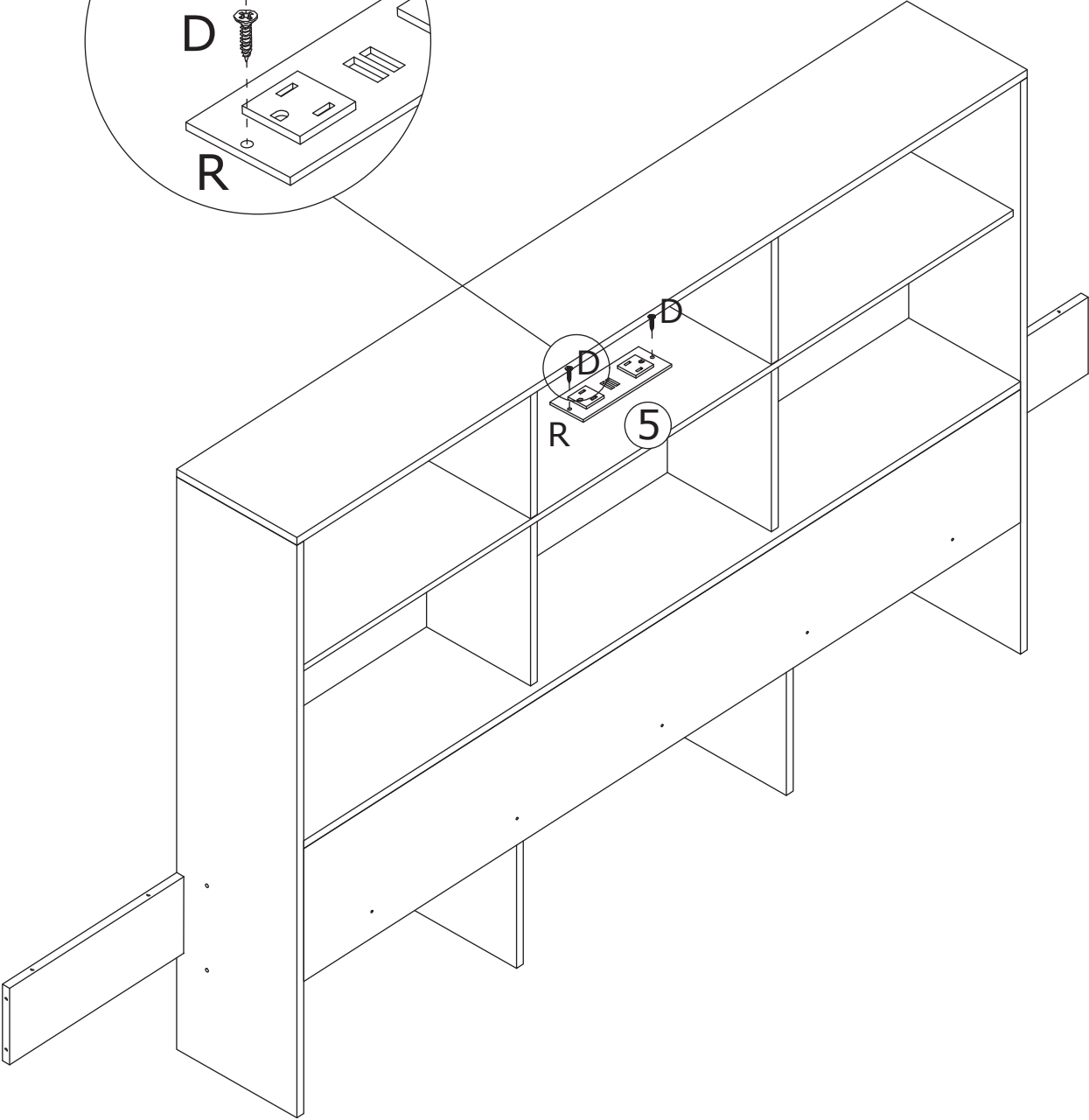
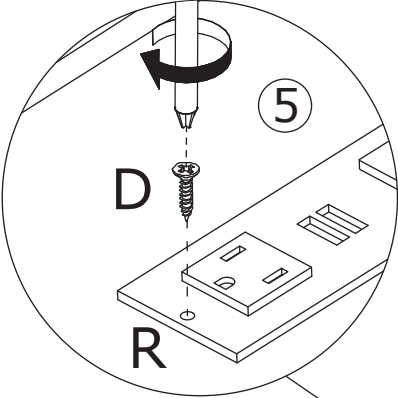
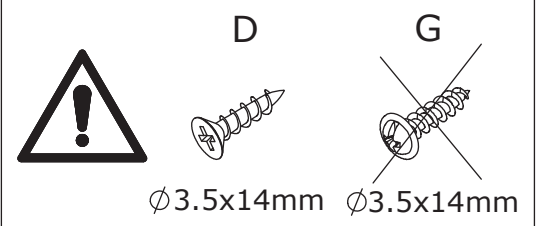
Attach board 1 to board 2, 4, 43 and 3,
add cam lock(B) into board 2, 4, 43, 3
and turn clockwise to tighten as shown.






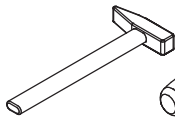
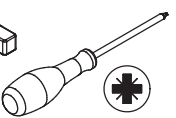
13






Fix part(R) to board 5 with screw(D).



14

| | | | |
|---|--|---|--|
| D x 14  Ø3.5 x 14 mm | G x 4  Ø3.5 x 14 mm | O x 14  |   |
|---|--|---|--|

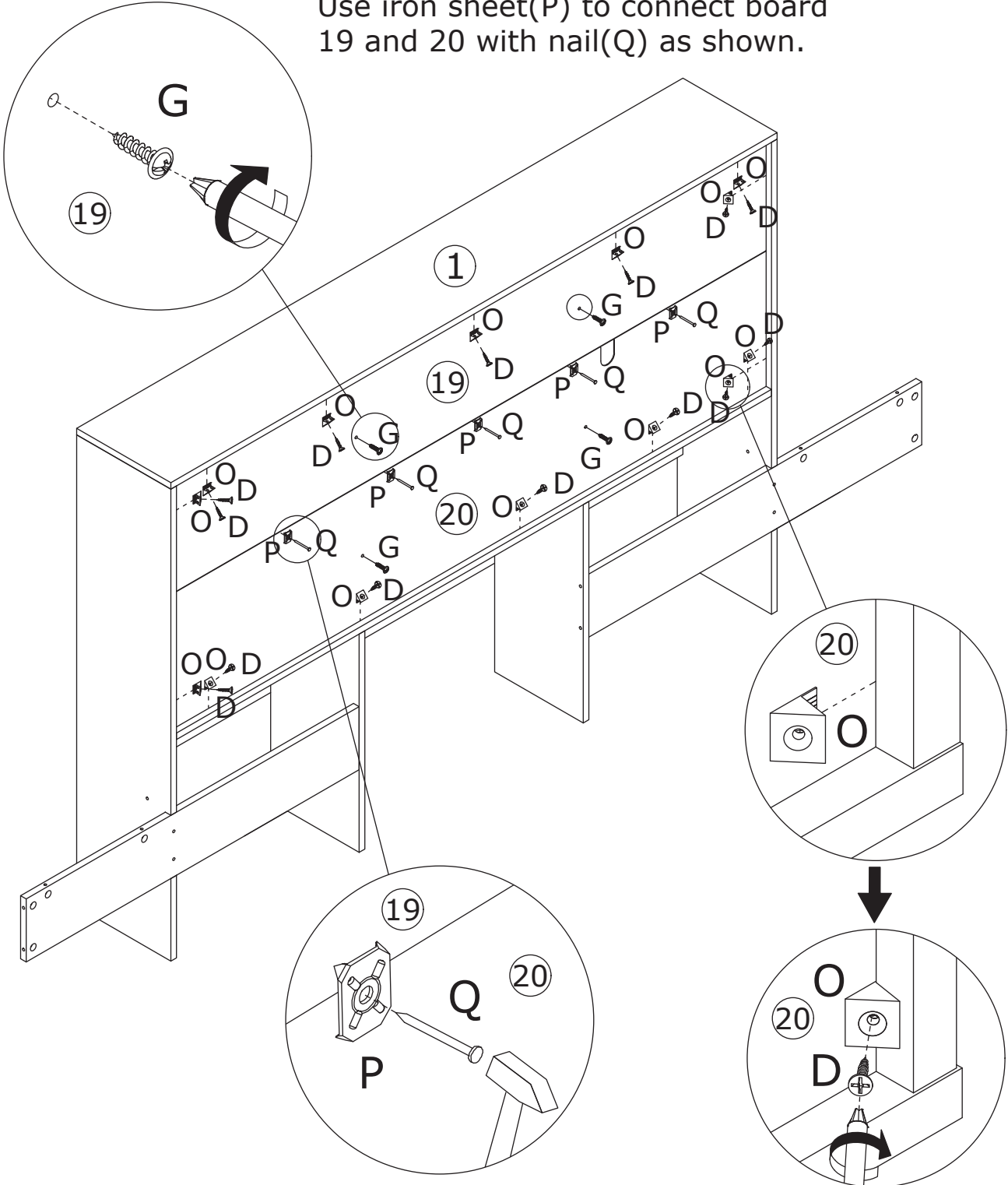
| | |
|--|--|
| P x 5  | Q x 5  |
|--|--|

 D G
Ø3.5x14mm Ø3.5x14mm

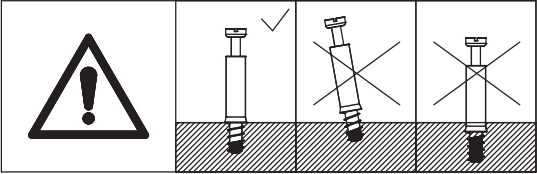
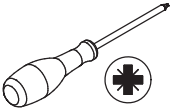
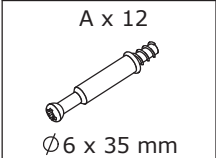
Insert buckle(O) into back slots and fix with screw(D) as shown.

Fix back board 19 and 20 to the unit with screw(G) as shown.

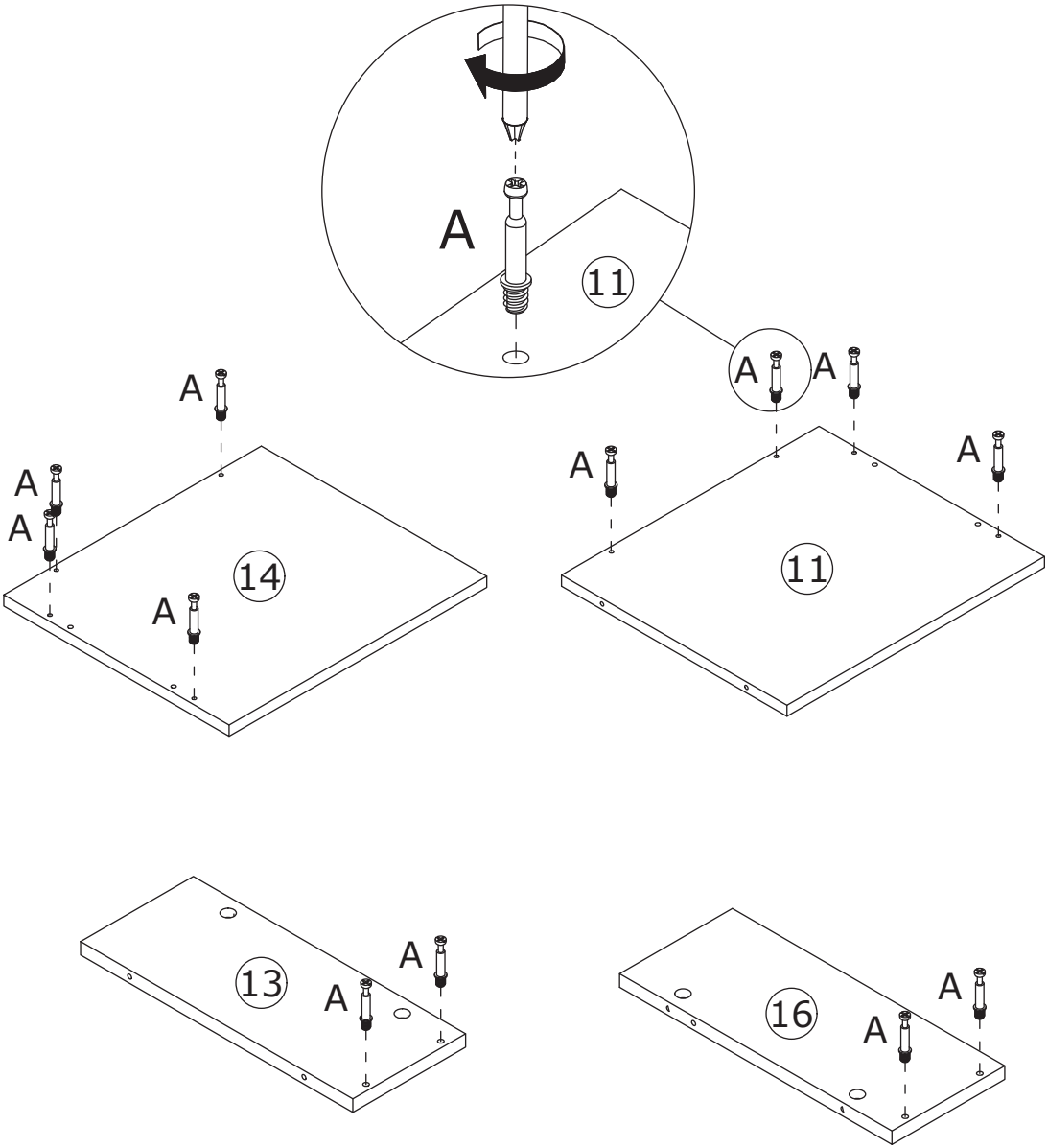
Use iron sheet(P) to connect board 19 and 20 with nail(Q) as shown.



15



Screw eccentric rod(A) into board 11, 13, 14 and 16 at first.

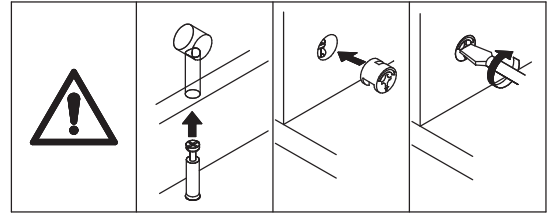
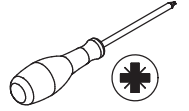


16

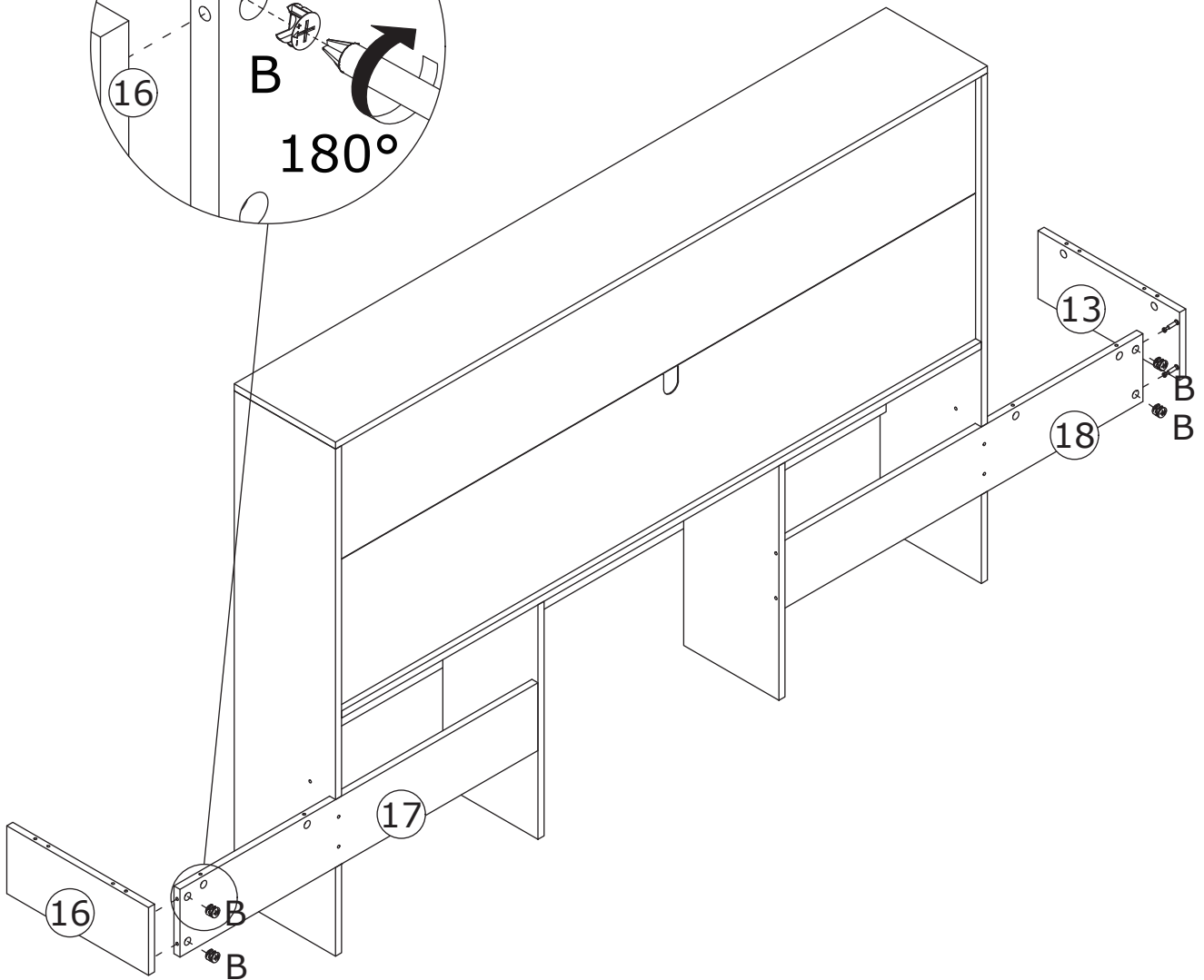
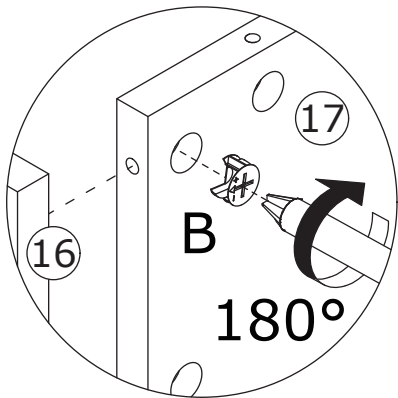
B x 4



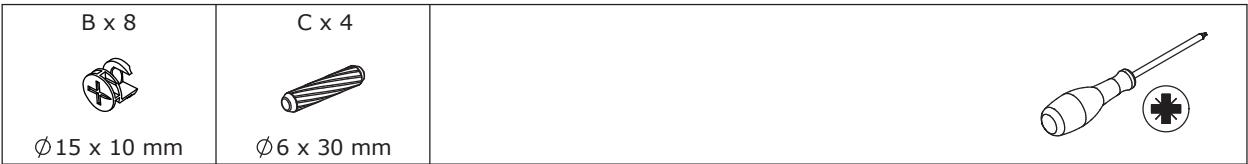
Ø15 x 10 mm



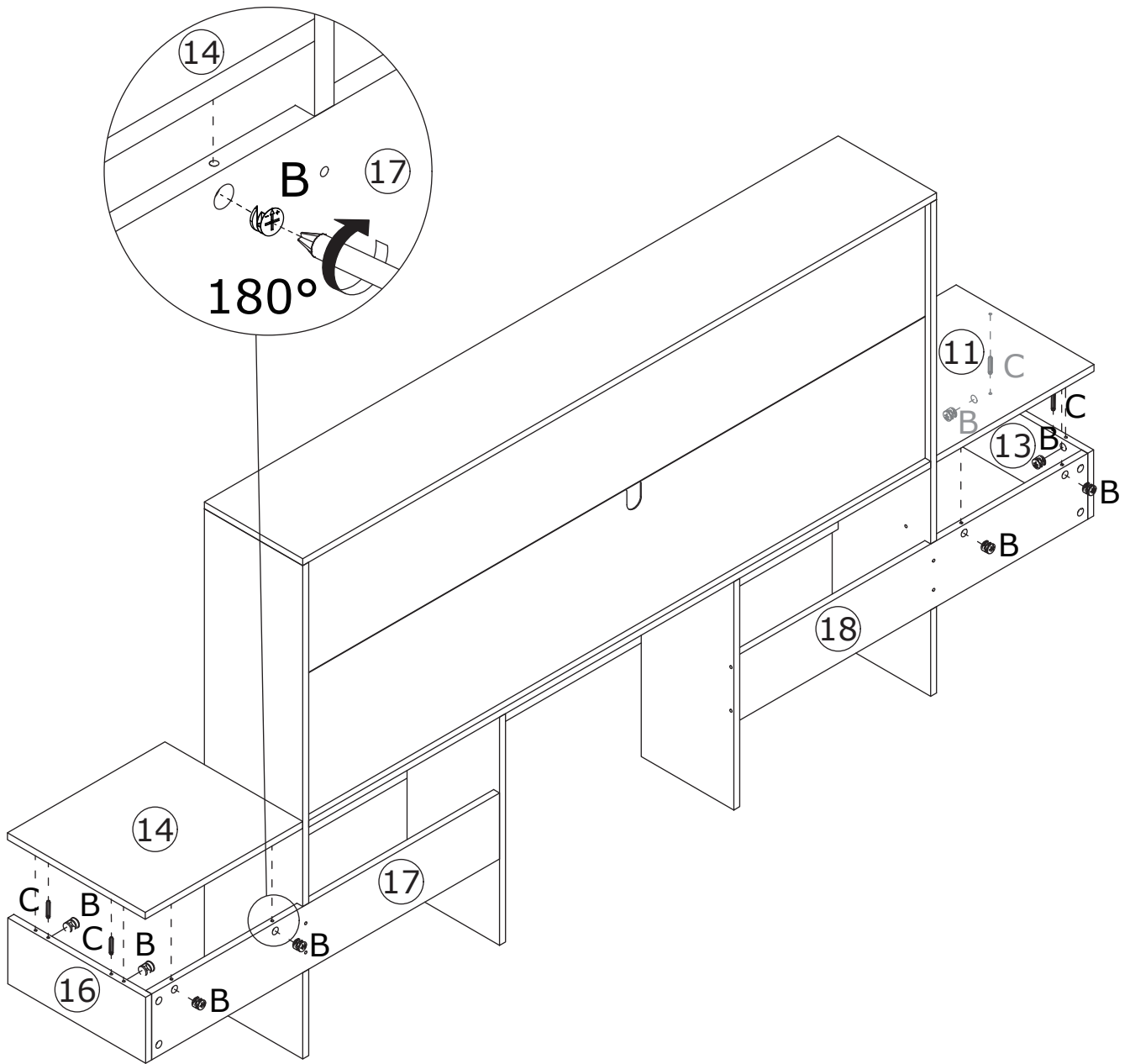
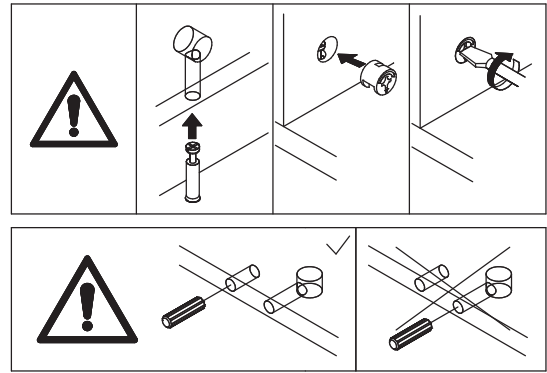
Attach board 16 to board 17 and board 13 to board 18, add cam lock(B) into board 17,18 and turn clockwise to tighten as shown.



17



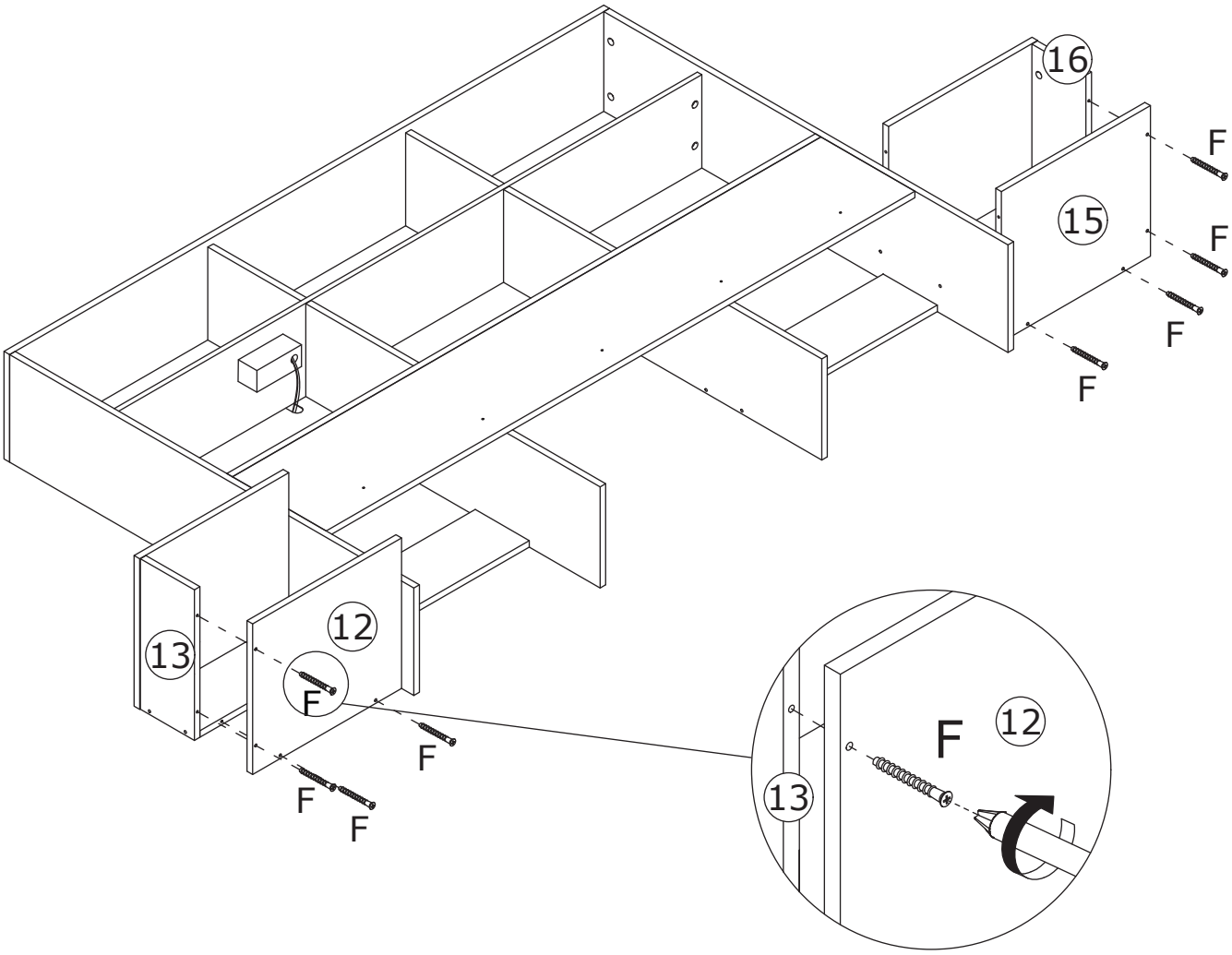
Insert wooden dowel(C) into board 13 and 16 at first. Attach board 14 to board 16 and 17, board 11 to board 13 and 18, add cam lock(B) into and turn clockwise to tighten as shown.



18

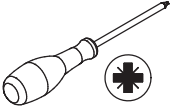


Fix board 12 to board 18 and 13 with screw(F) as shown.
Fix board 15 to board 16 and 17 with screw(F) as shown.

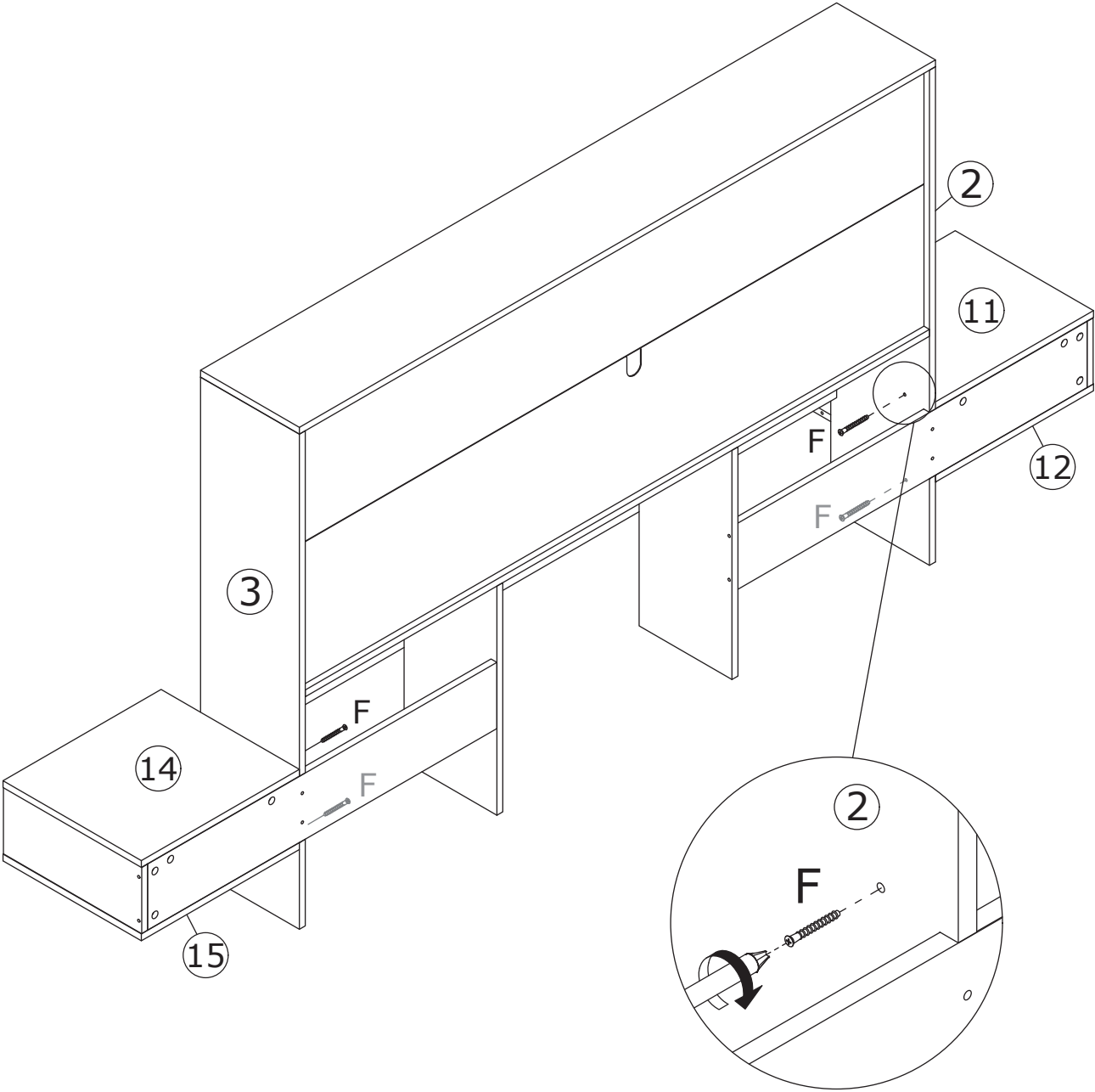


19





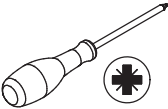
F x 4
Ø5 x 40 mm

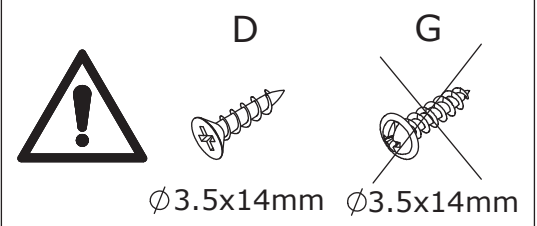


Fix board 14 and 15 to board 3 with screw(F) as shown.
Fix board 11 and 12 to board 2 with screw(F) as shown.

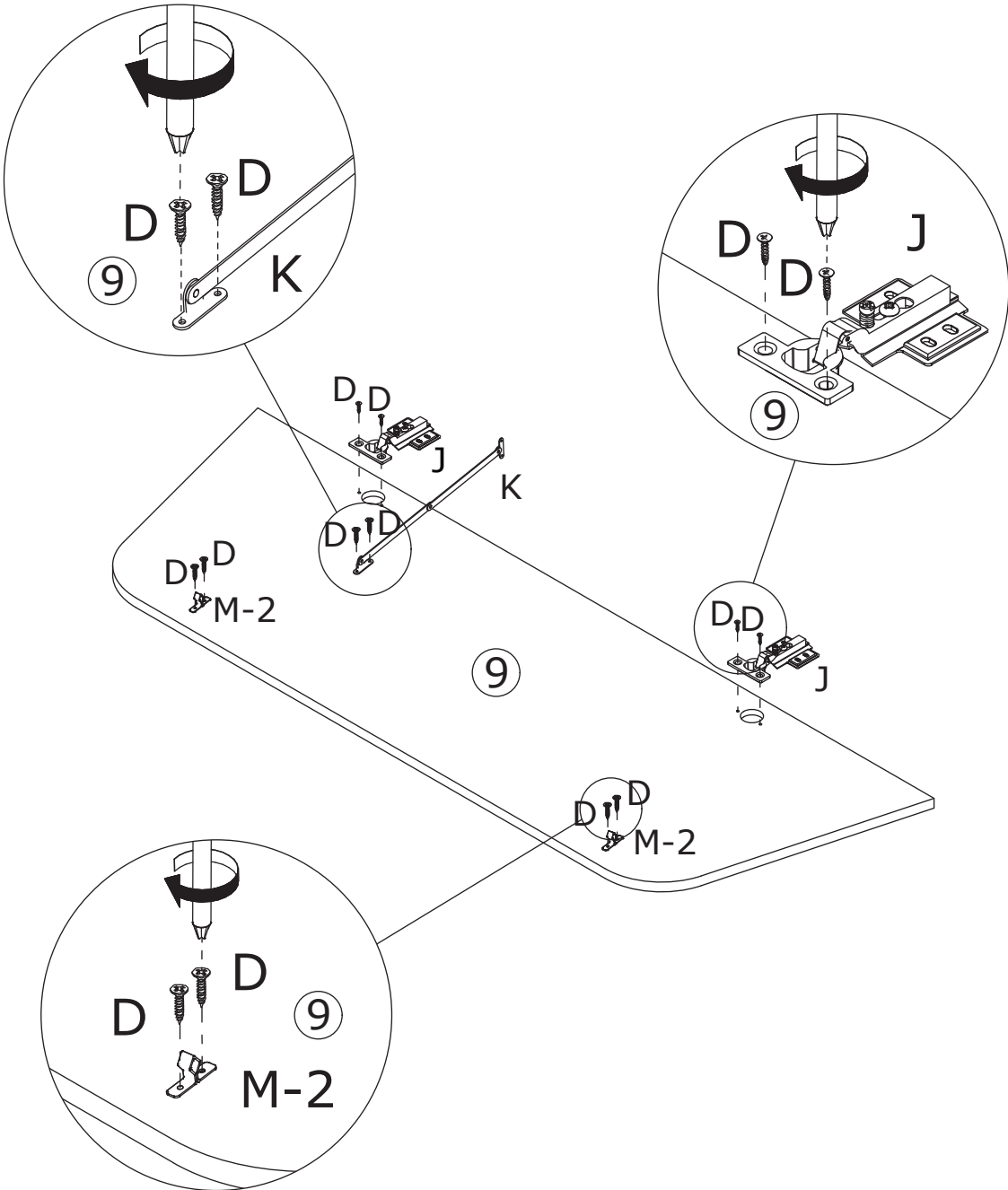


20




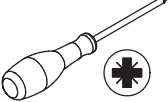
| | | | | |
|---|--|--|--|---|
| D x 10  Ø3.5 x 14 mm | J x 2  ZW | K x 1  | M x 2  M-2 |  |
|---|--|--|--|---|

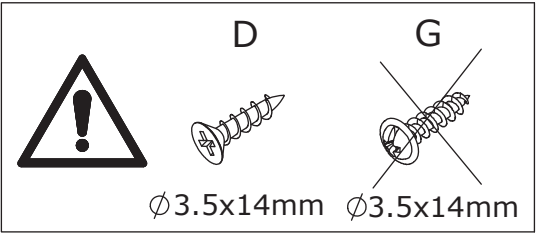


Fix hinge(J), part(M-2) and rod (K) to board 9 with screw(D) as shown.

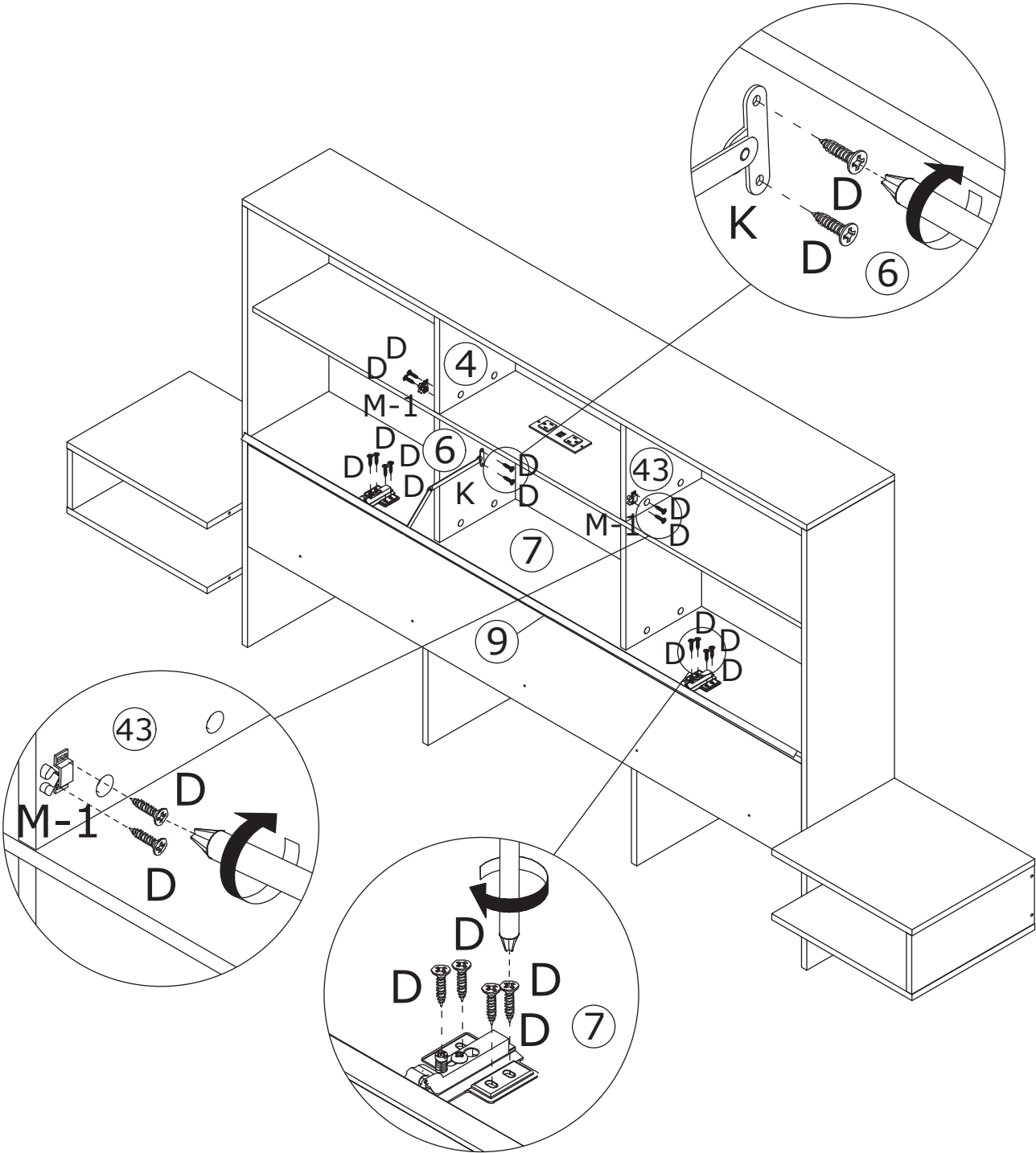


21

| | | | |
|---|--|--|---|
| D x 14  Ø3.5 x 14 mm | K x 1  | M x 2  M -1 |  |
|---|--|--|---|



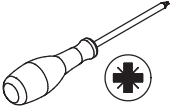
Assemble board 9 to board 7 by fixing hinge(J) with screw(D) at first.
Fix the rod(K) to board 6 with screw(D) as shown.
Fix part(M-1) to board 4 and 43 with screw(D) as shown.



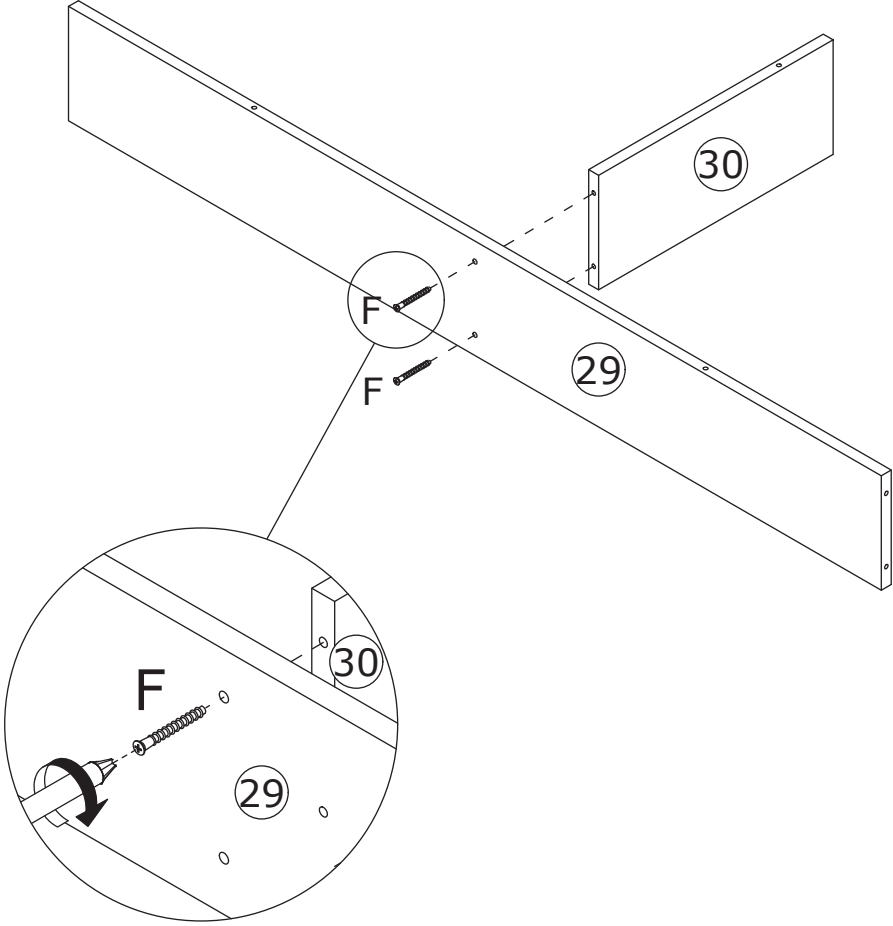
22

F x 4

Ø5 x 40 mm

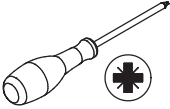


Fix board 30 to board 29
with screw(F) as shown.

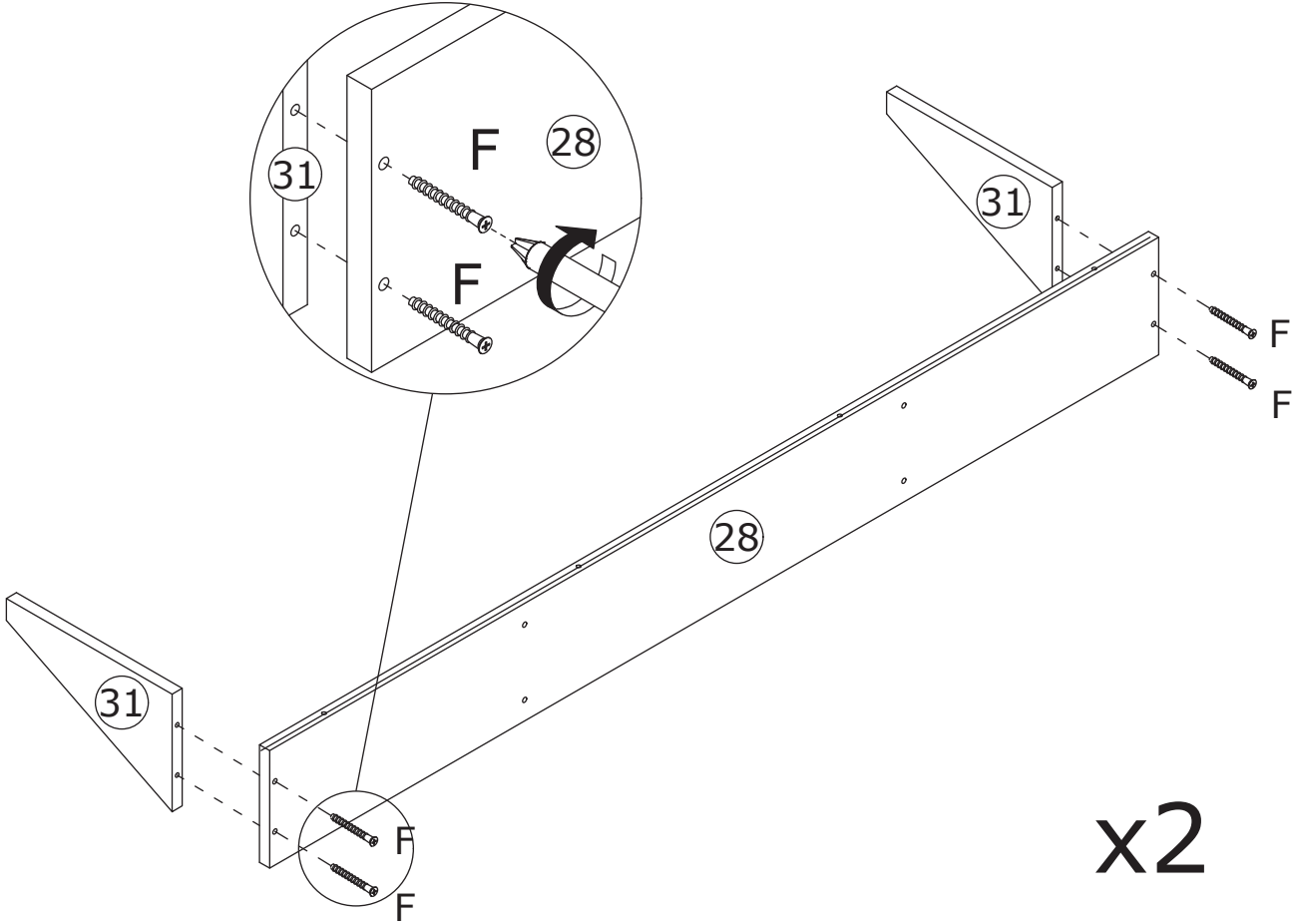


x2

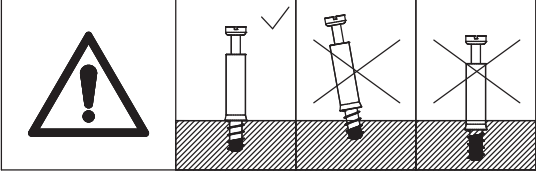
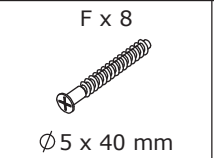
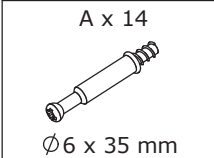
23



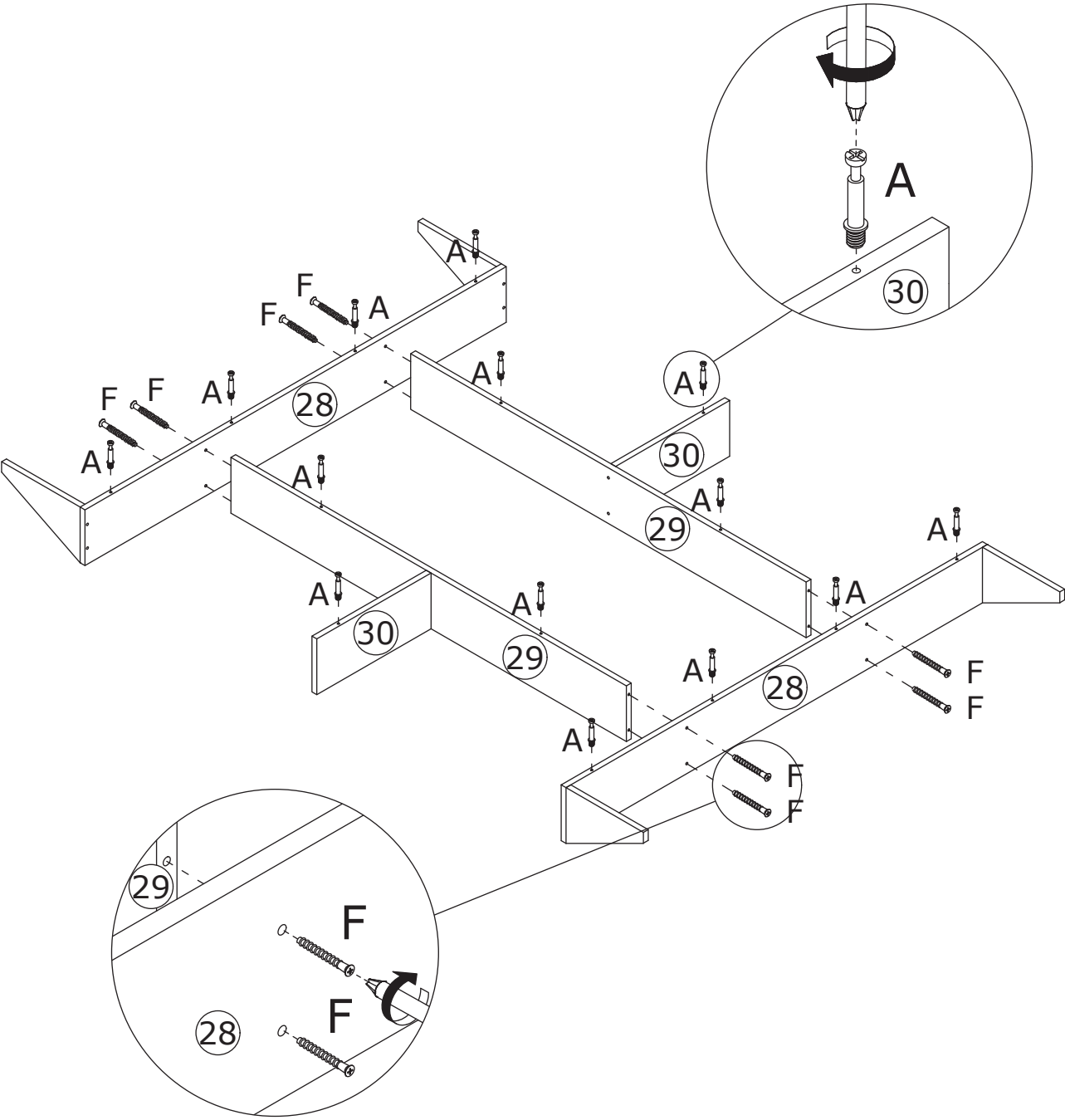
Fix board 31 to board 28
with screw(F) as shown.



24



Fix board 28 to board 29 with screw(F) as shown.
Screw eccentric rod(A) into board 28, 29 and 30 at first.

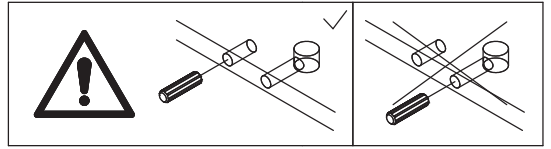
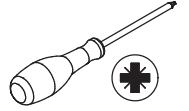


25

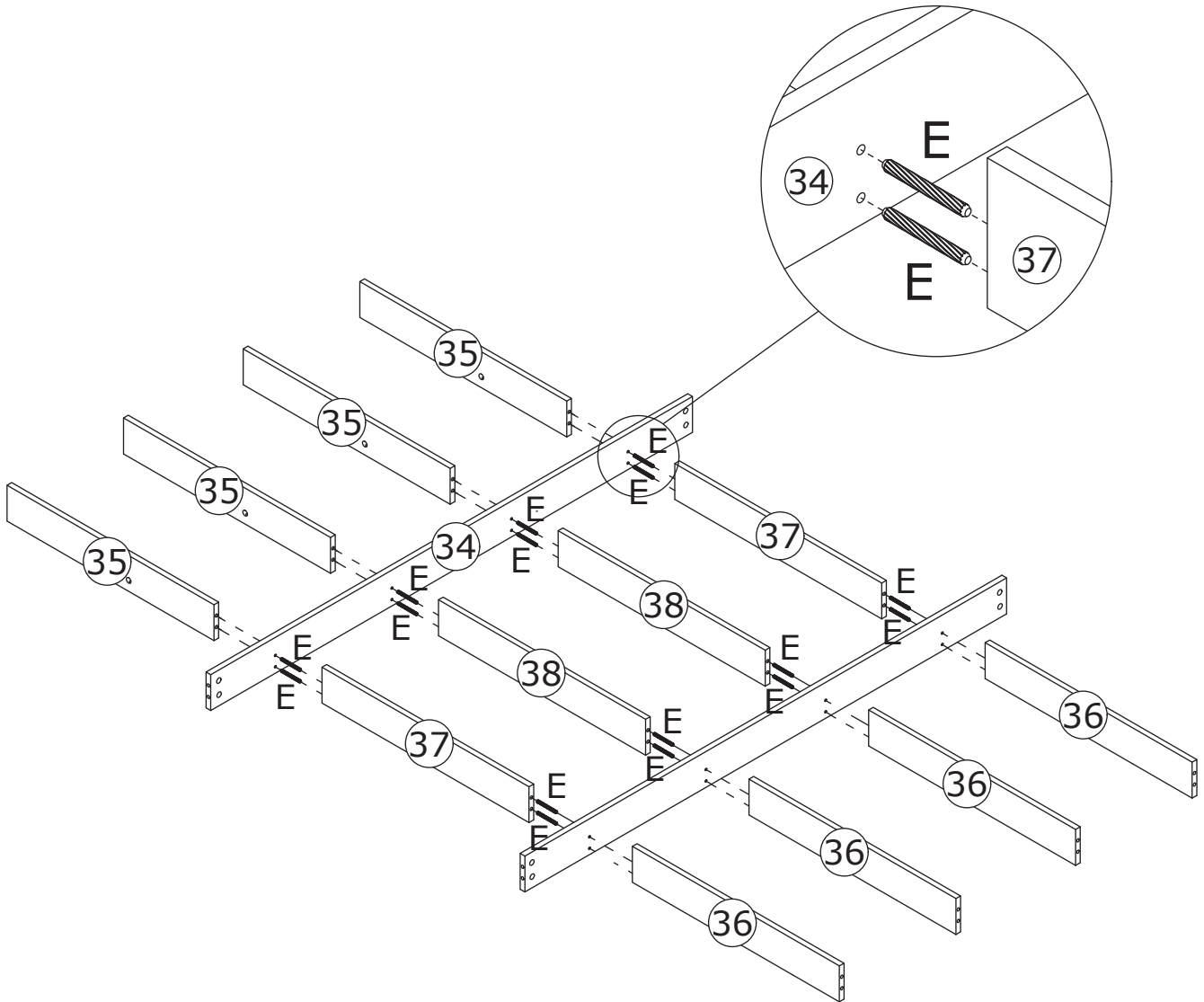
E x 16



Ø8 x 50 mm



Connect board 35, 34, 37, 38 and 36 to board 5, 7 and 10 using wooden dowel(E) as shown.

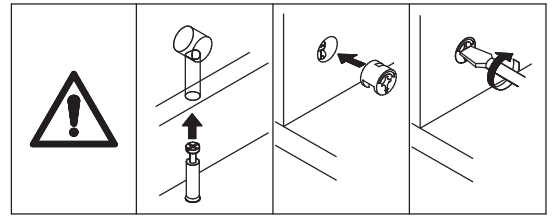
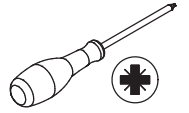


26

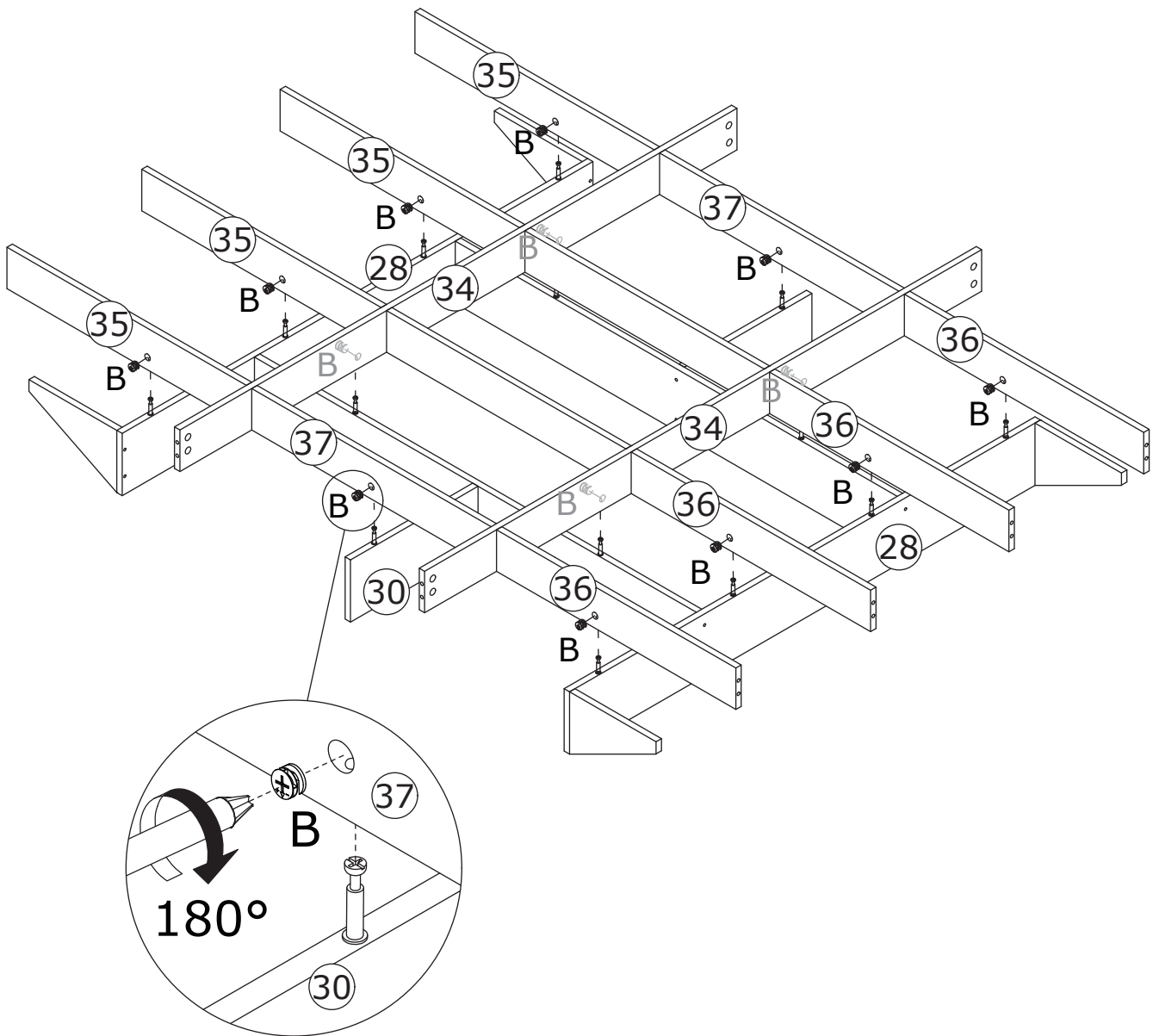
B x 14



Ø15 x 10 mm

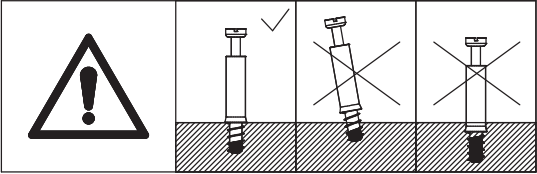
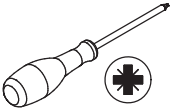


Connect the two assembled components together, add cam lock(B) into and turn clockwise to tighten as shown.

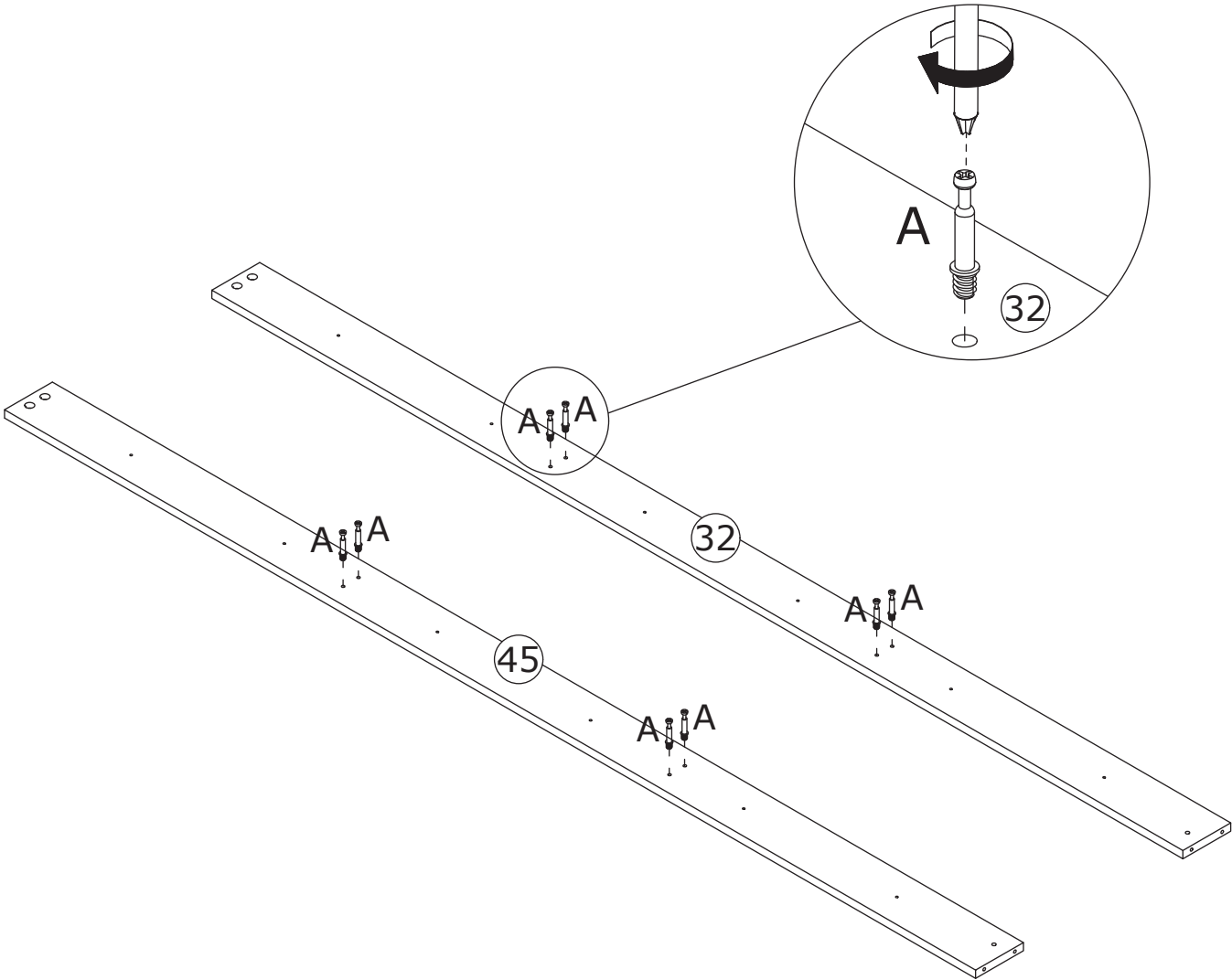


27

A x 8
Ø6 x 35 mm



Screw eccentric rod(A) into board 32 and 45 at first.

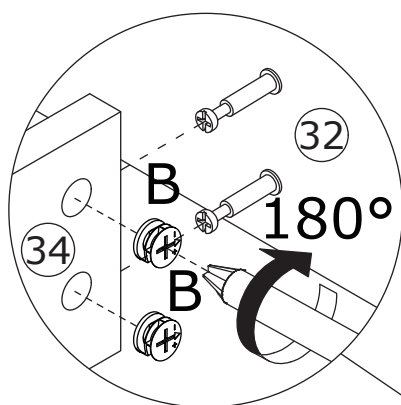
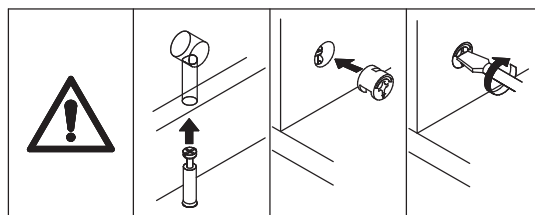
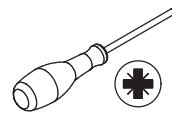


28

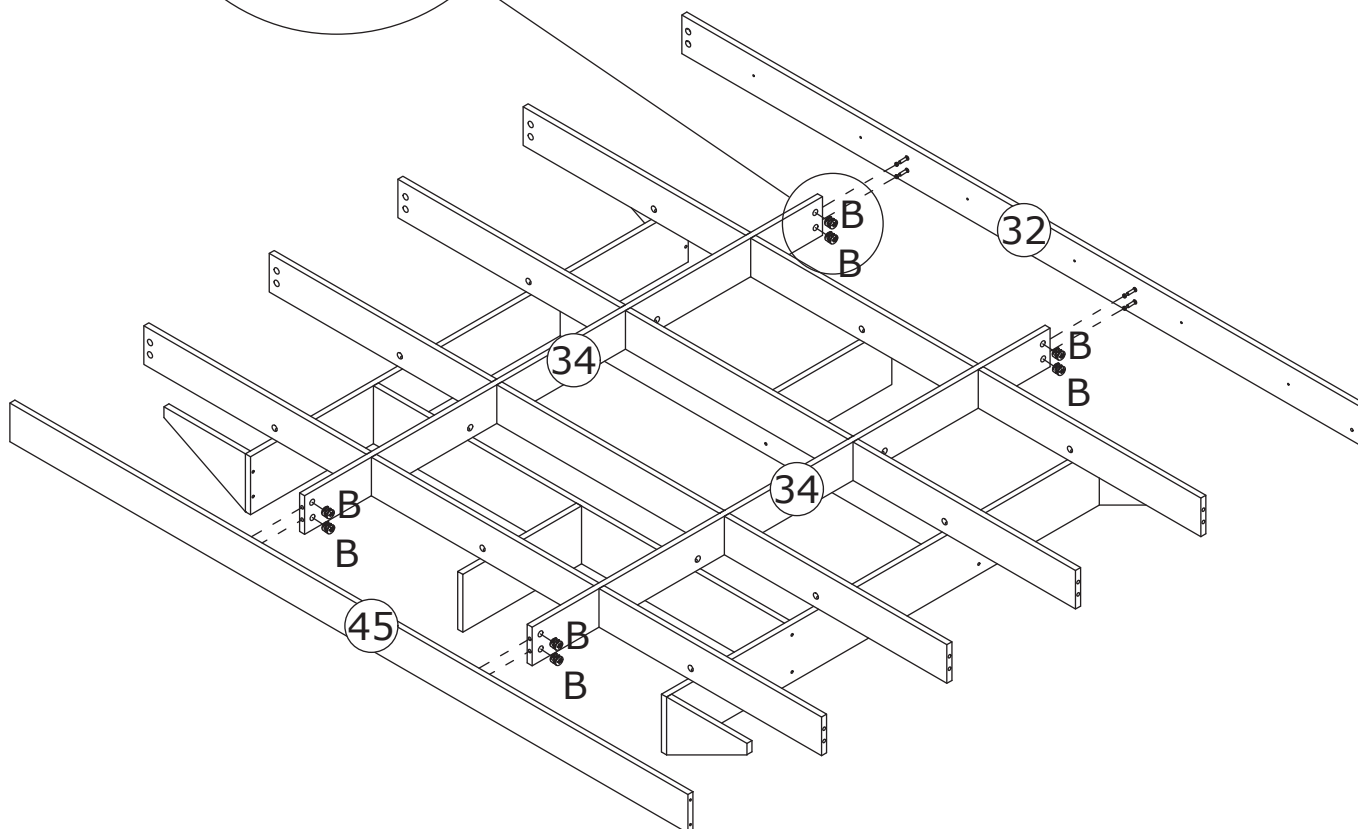
B x 8



Ø15 x 10 mm

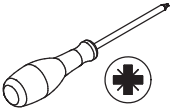


Attach board 32 and 45 to board 34, add cam lock(B) into and turn clockwise to tighten as shown.

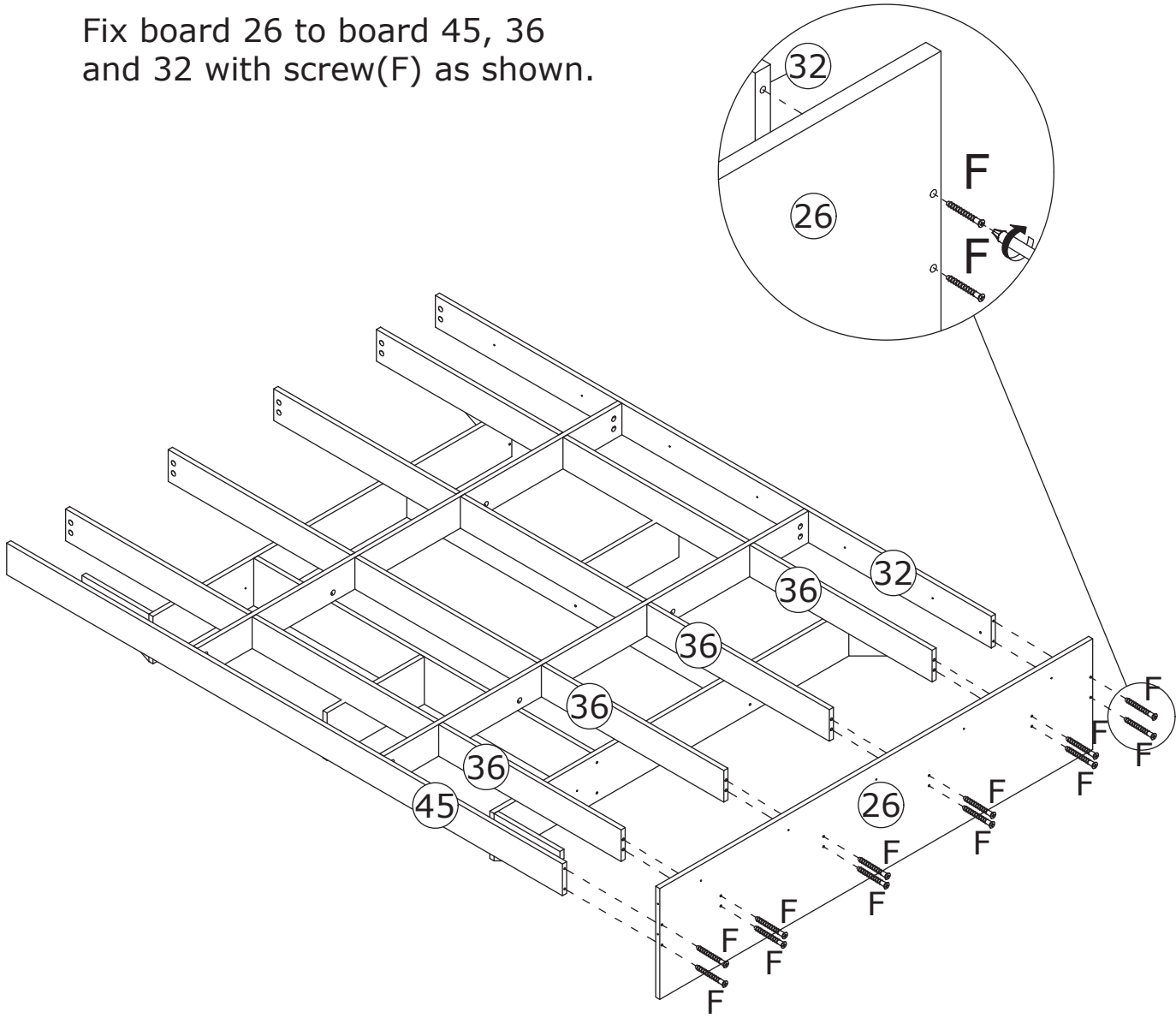


29

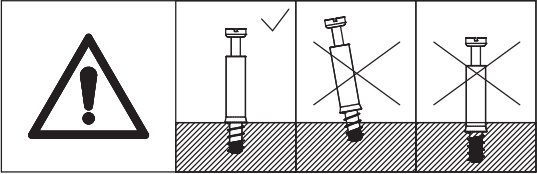
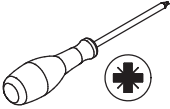
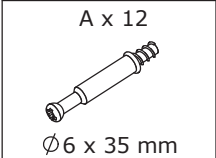
F x 12
Ø 5 x 40 mm



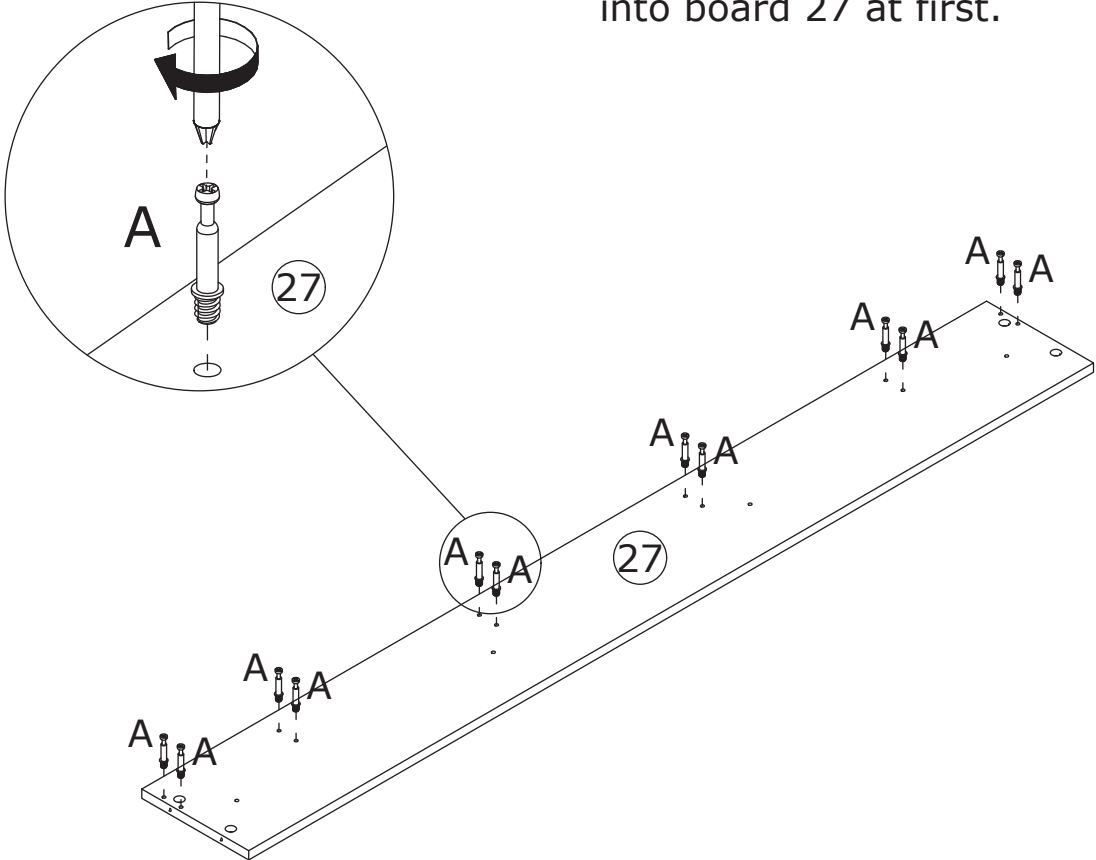
Fix board 26 to board 45, 36 and 32 with screw(F) as shown.



30



Screw eccentric rod(A)
into board 27 at first.

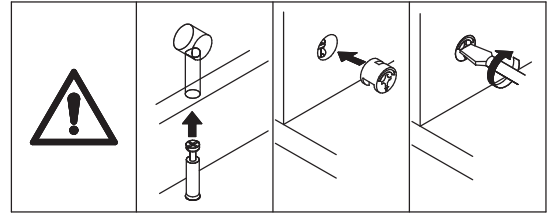
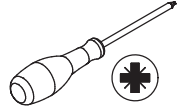


31

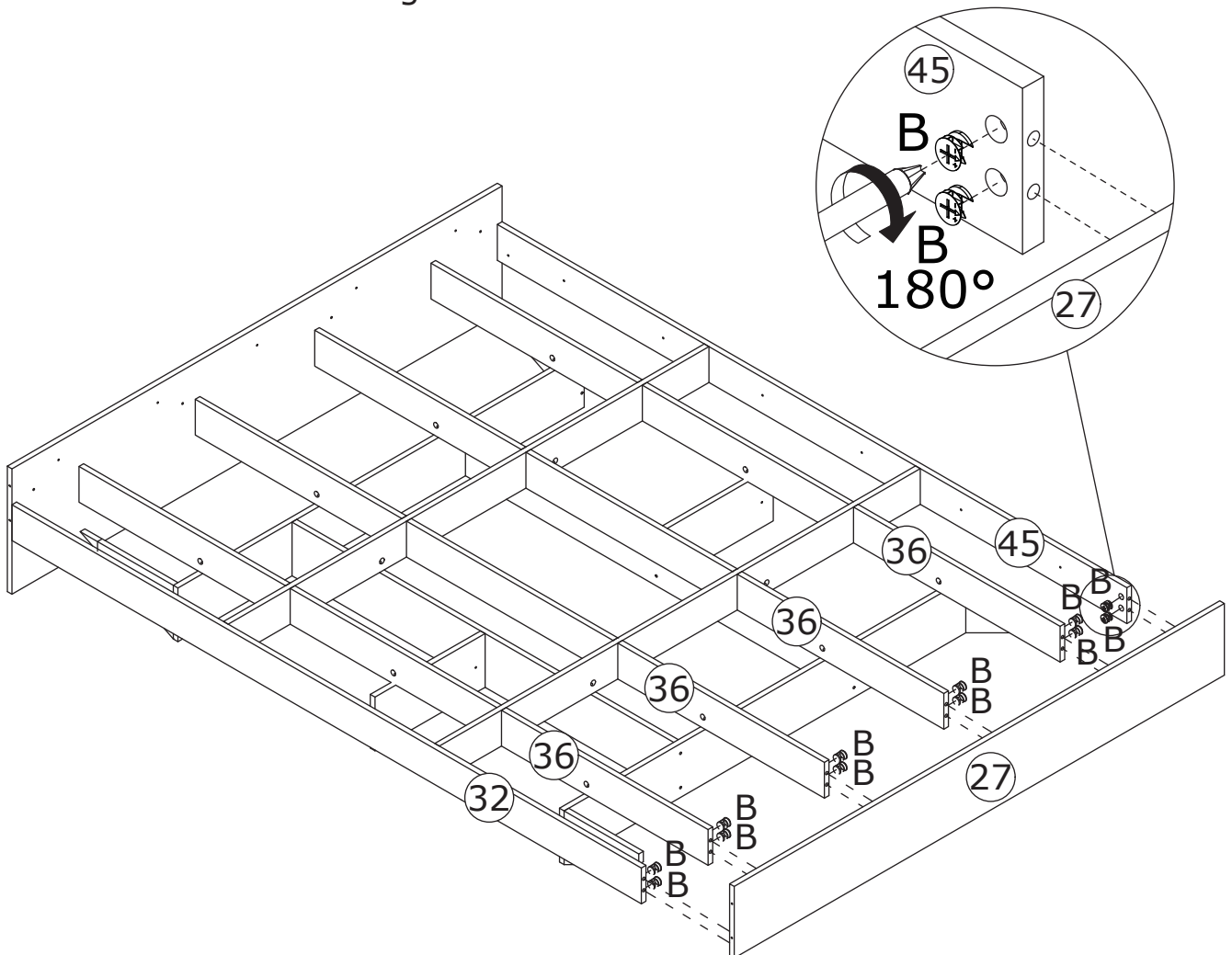
B x 12



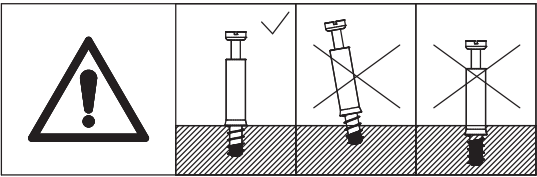
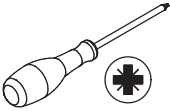
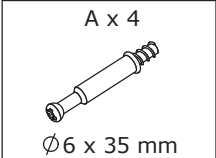
Ø15 x 10 mm



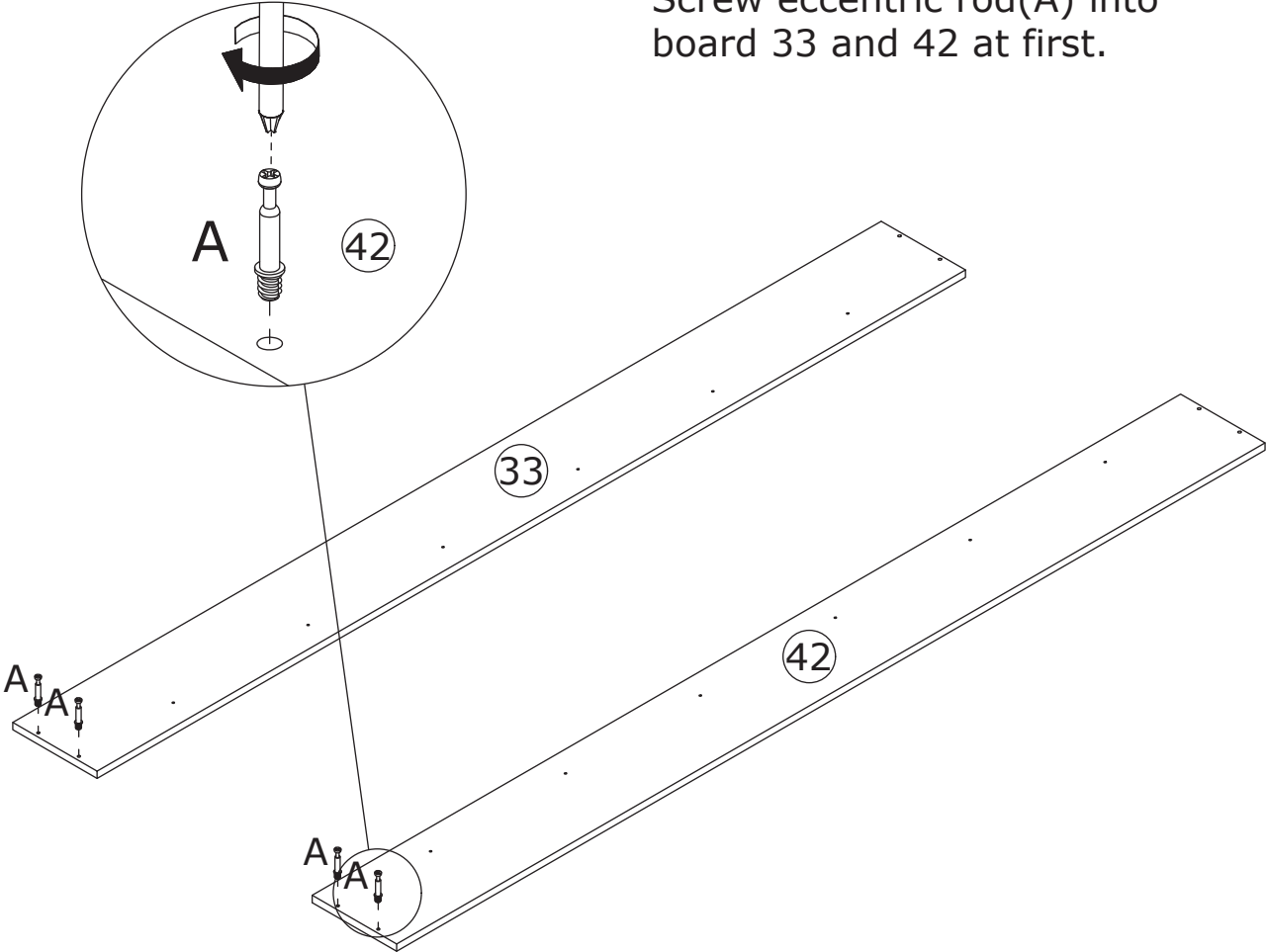
Attach board 27 to board 45, 36 and 32, add cam lock(B) into and turn clockwise to tighten as shown.



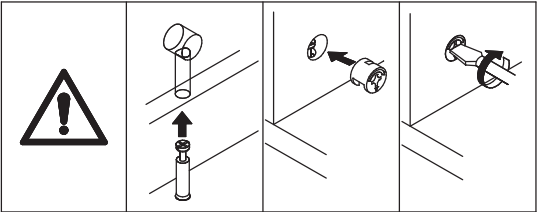
32



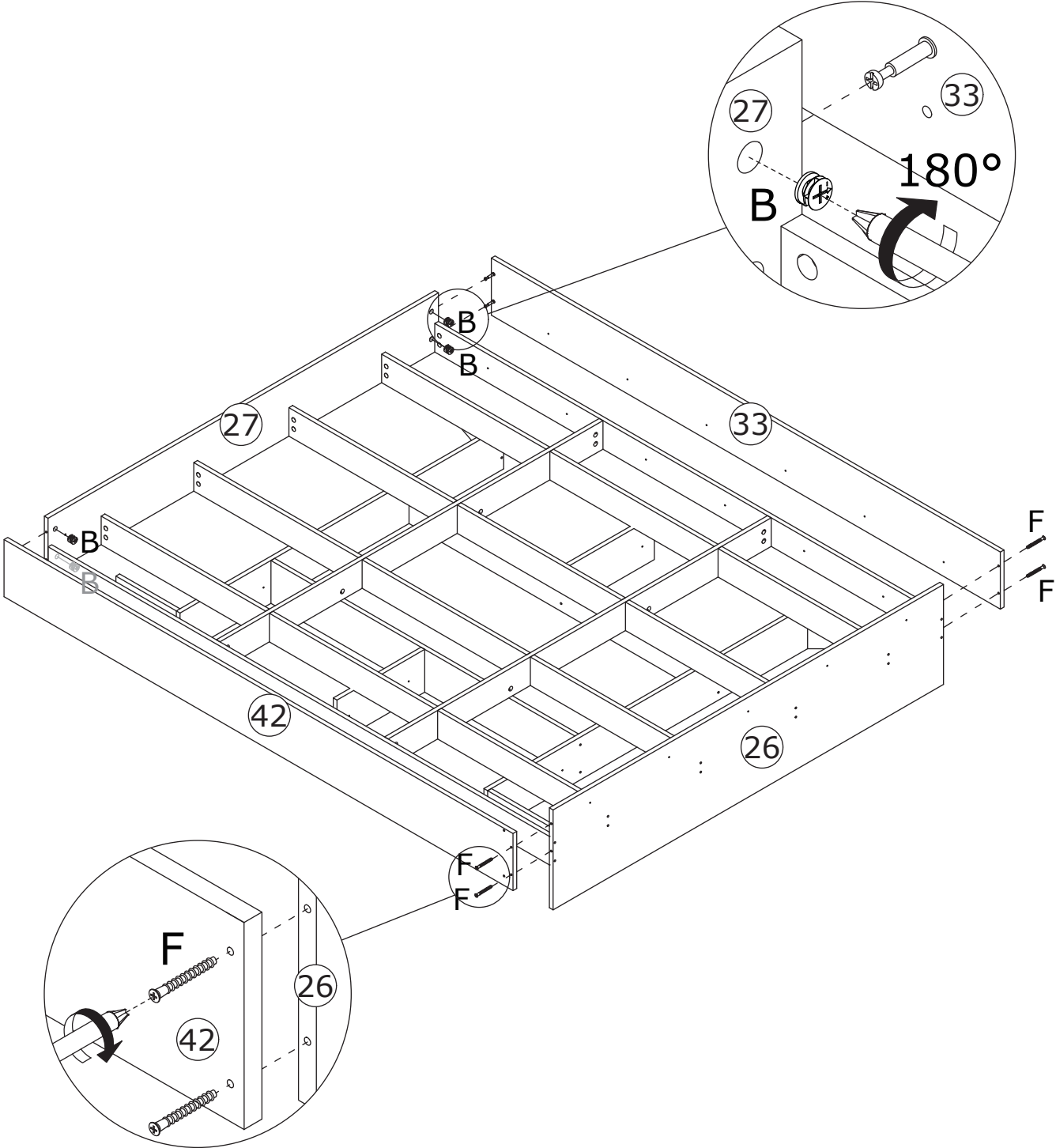
Screw eccentric rod(A) into board 33 and 42 at first.



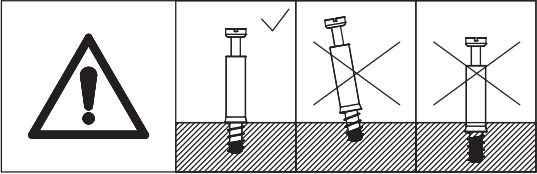
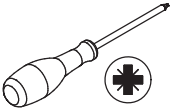
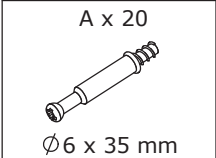
33



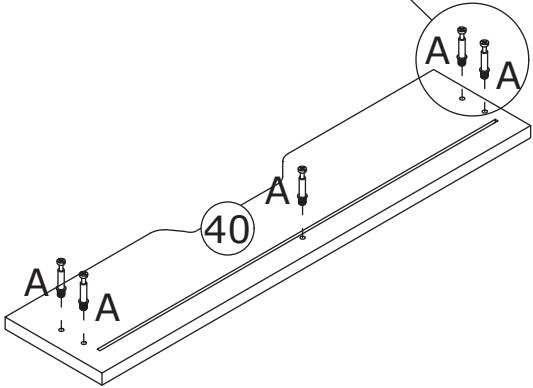
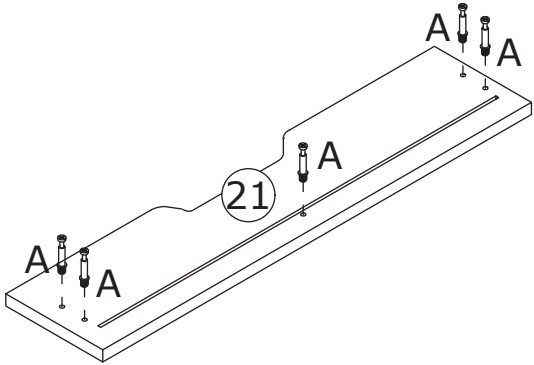
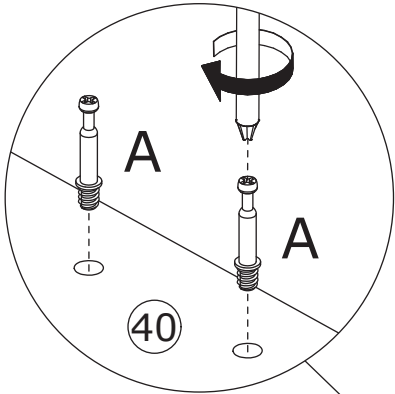
Attach board 33 and 42 to board 27, add cam lock(B) into and turn clockwise to tighten as shown. Fix board 33 and 42 to board 26 with screw(F) as shown.



34



Screw eccentric rod(A) into board 21 and 40 at first.



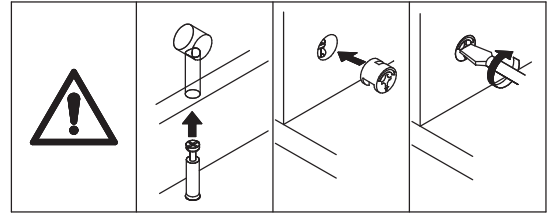
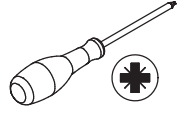
x2

35

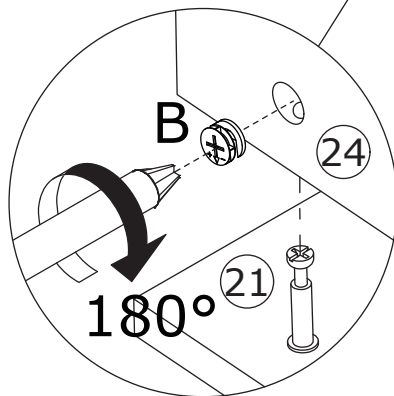
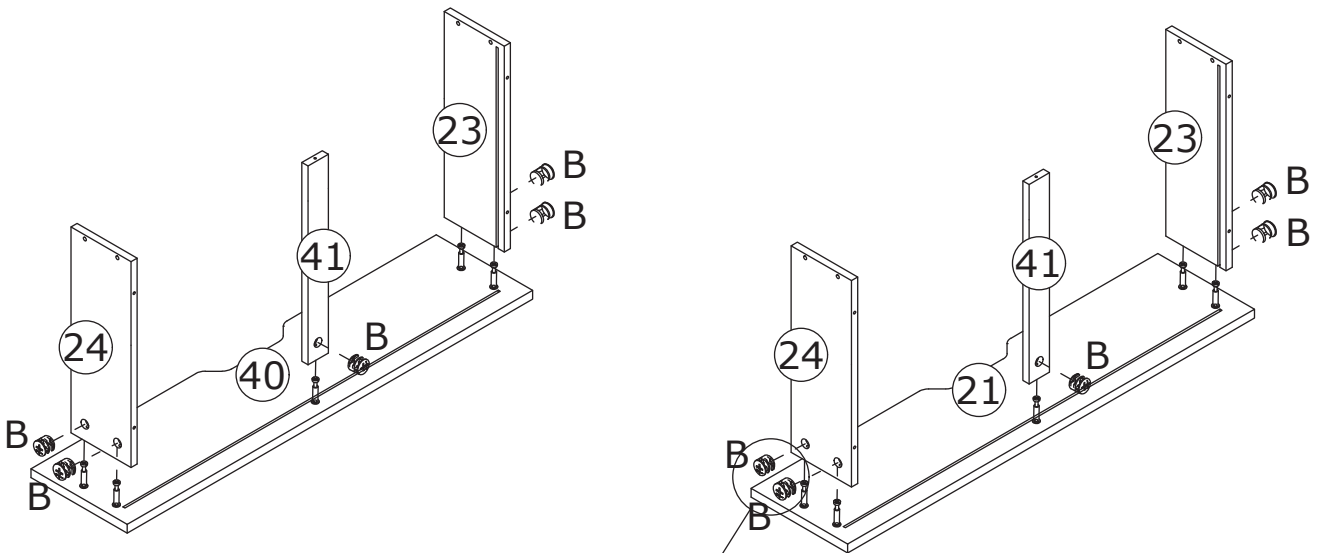
B x 20



Ø15 x 10 mm



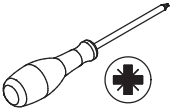
Attach board 40 and 21 to board 23, 41 and 24, add cam lock(B) into and turn clockwise to tighten as shown.



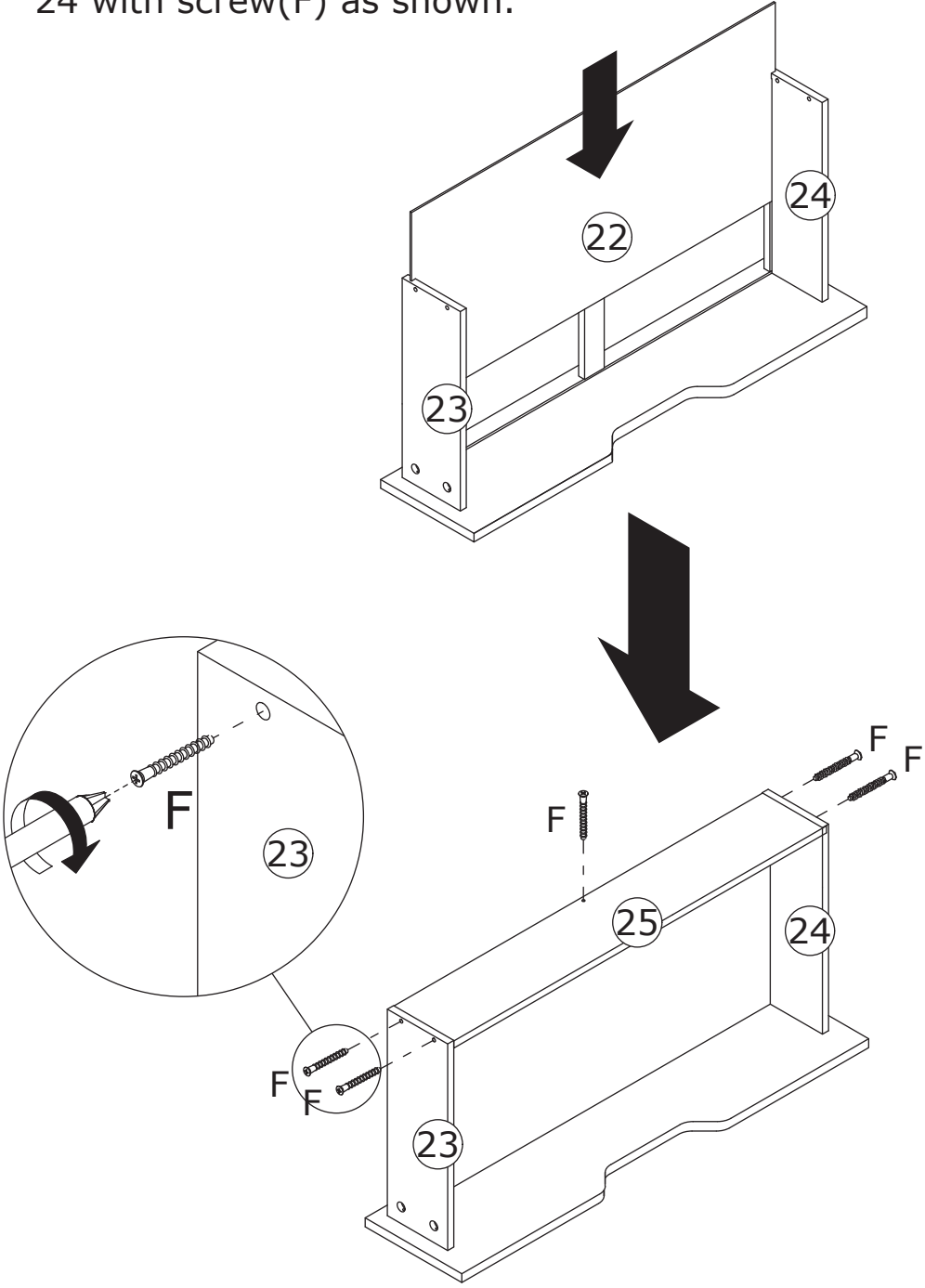
x2

36

F x 20
Ø5 x 40 mm




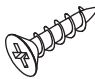
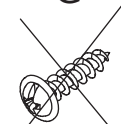
Insert bottom board 22 along groove.
Fix board 25 to board 23, 41 and
24 with screw(F) as shown.



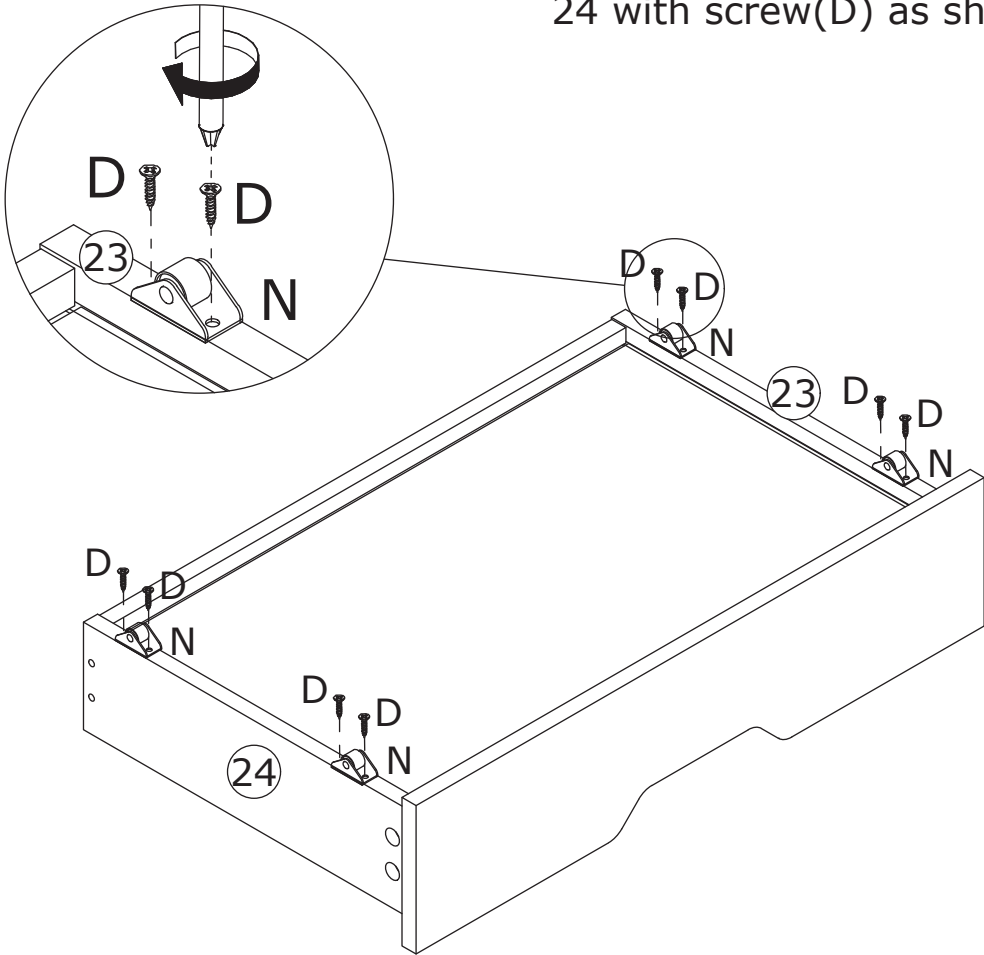
x4

37

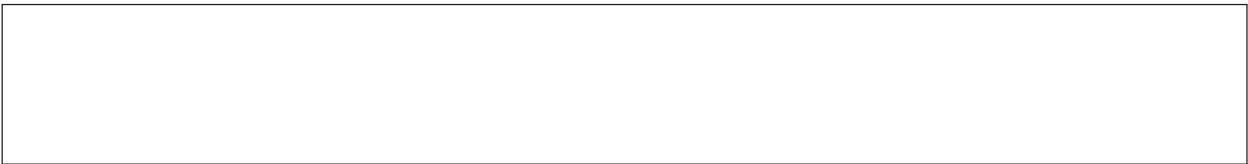
| | | |
|---|---|---|
| D x 32  Ø3.5 x 14 mm | N x 16  |  |
|---|---|---|

| | | |
|--|---|---|
|  | D  Ø3.5x14mm | G  Ø3.5x14mm |
|--|---|---|

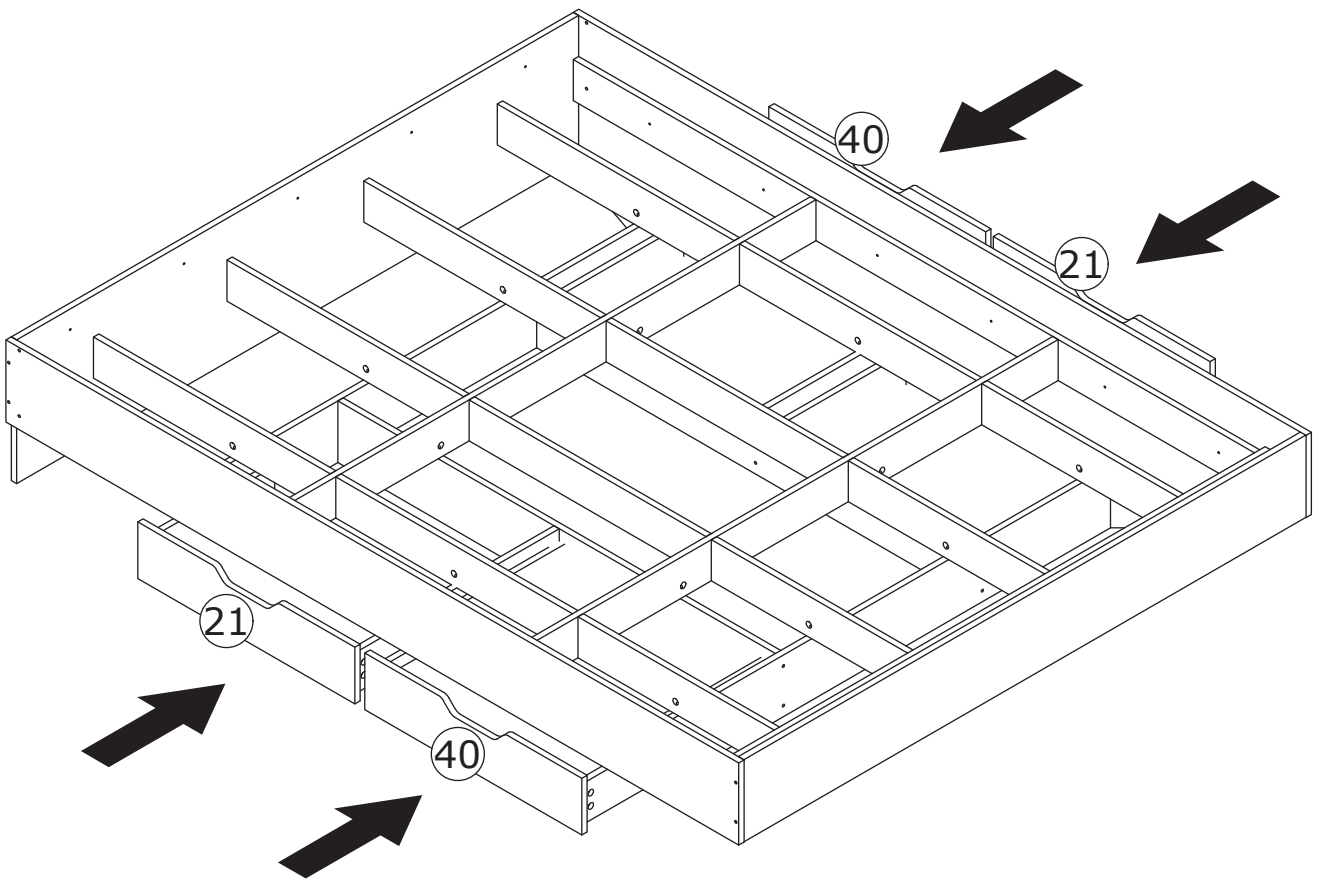
Fix wheel(N) to board 23 and 24 with screw(D) as shown.



38



Align rails, insert all drawers.

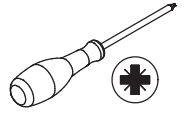


39

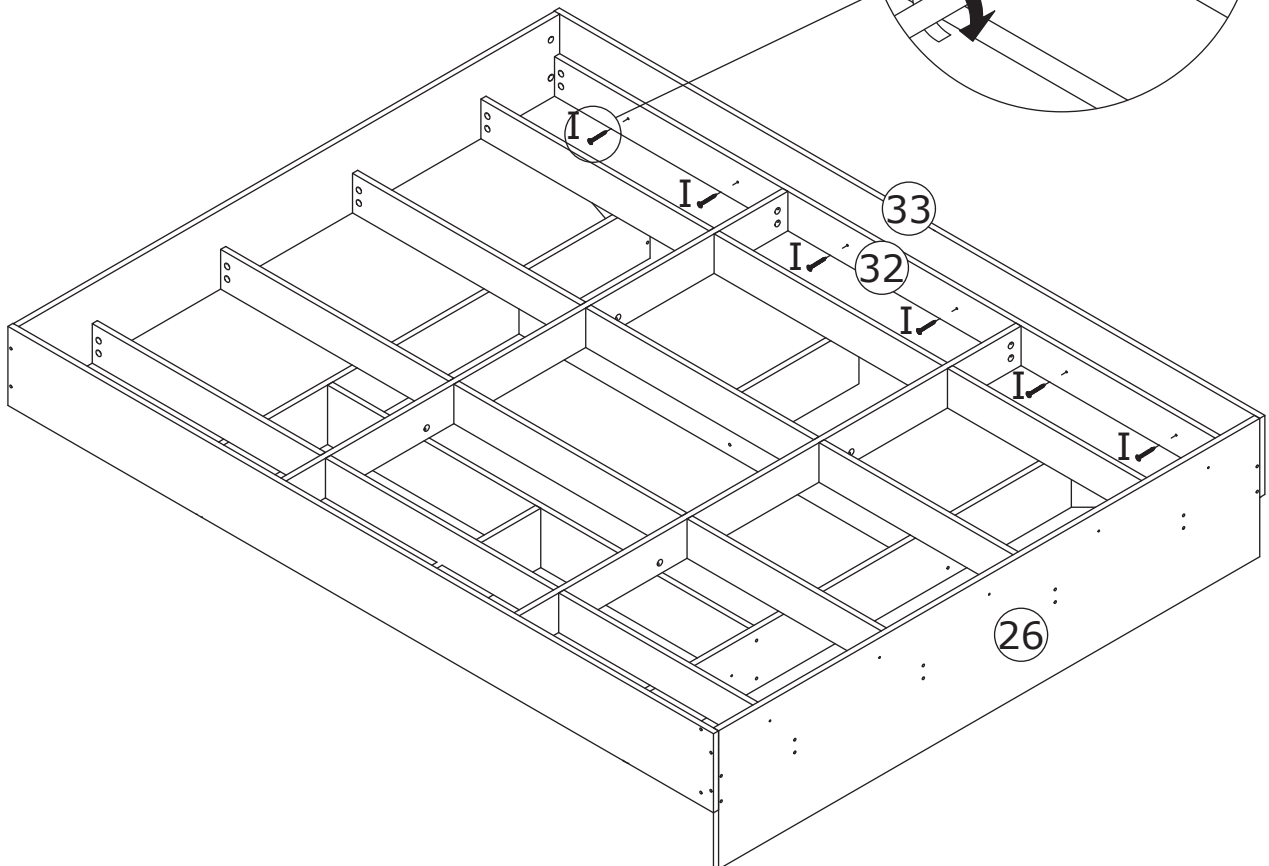
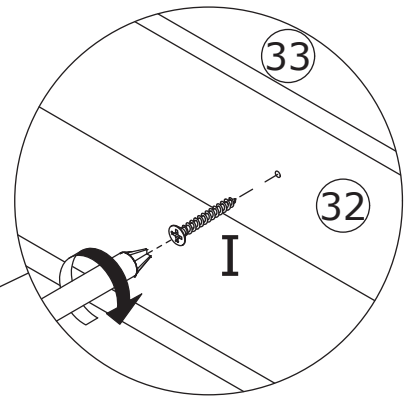
I x 6



Ø 3.5 x 25 mm



Fix board 32 to board 33
with screw(I) as shown.

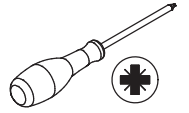


40

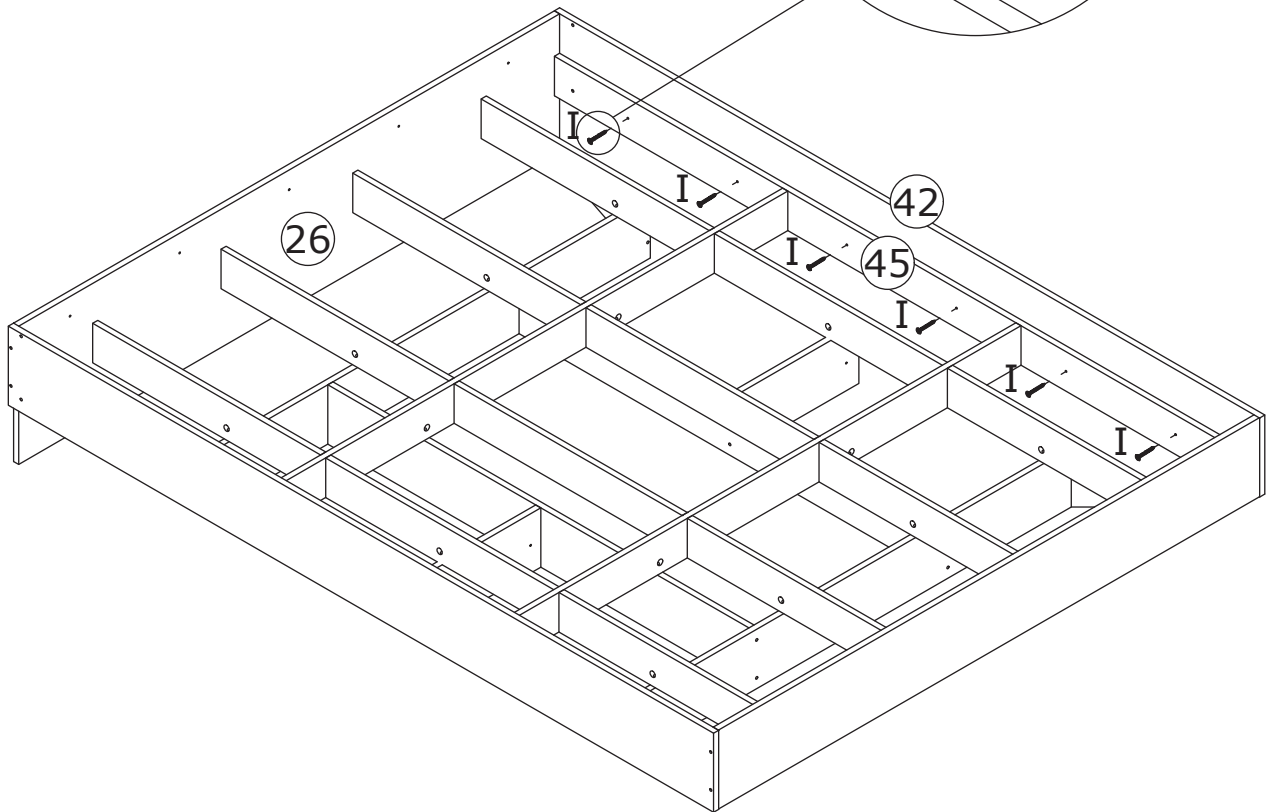
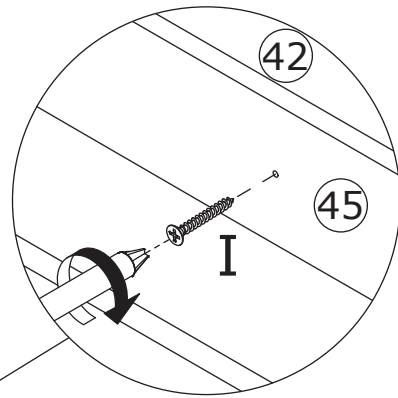
I x 6






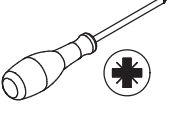
Ø 3.5 x 25 mm



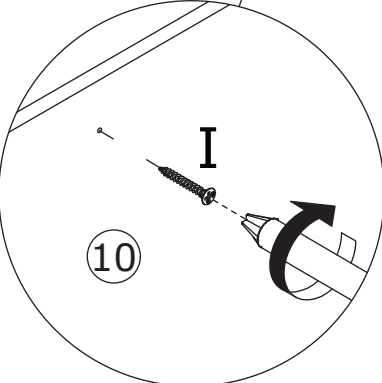
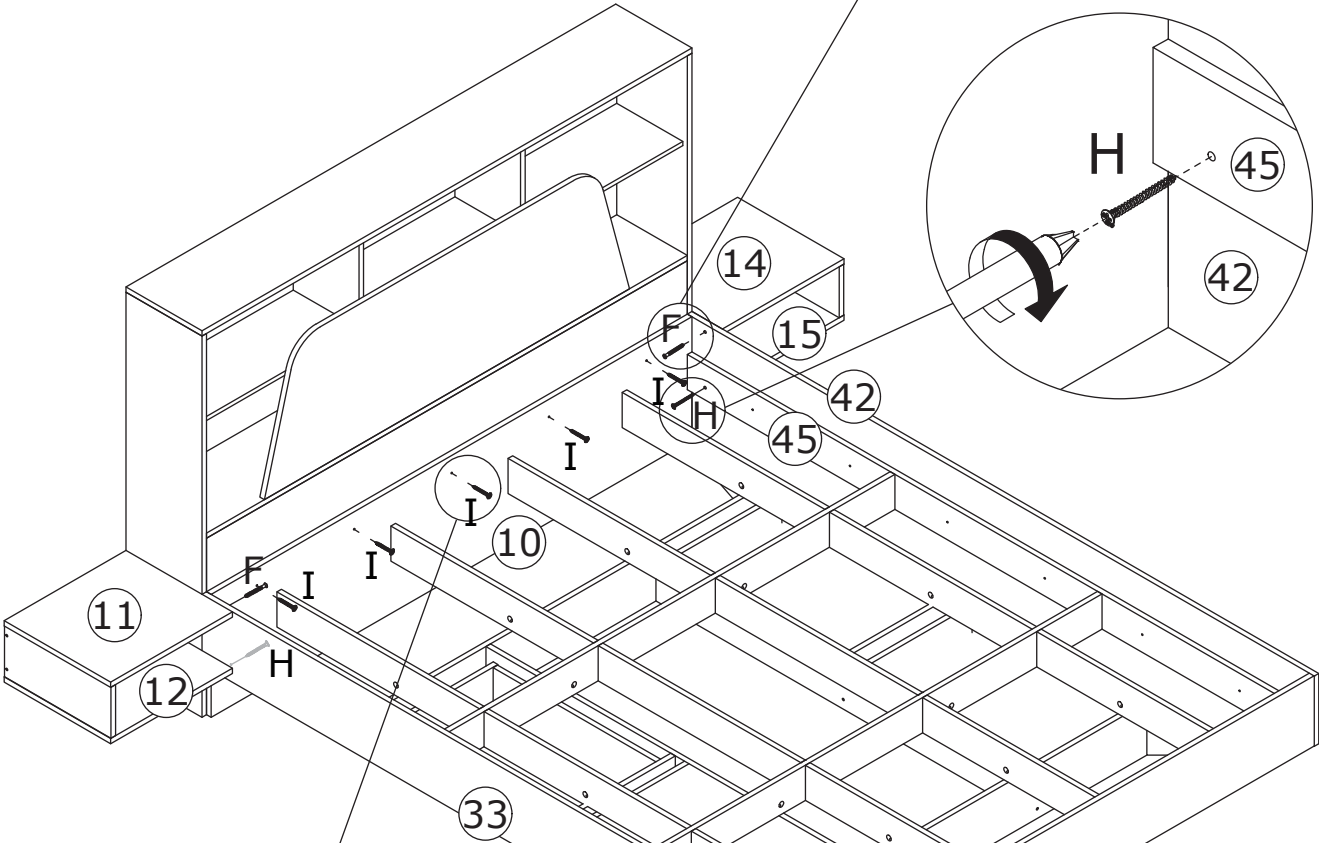
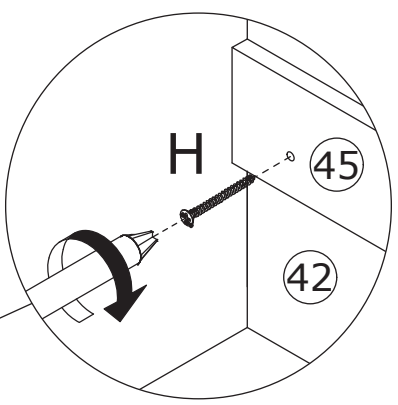
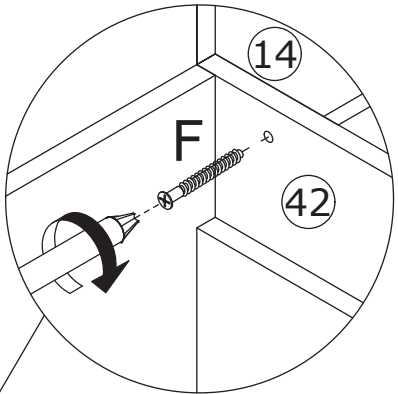
Fix board 45 to board 42 with screw(I) as shown.



41

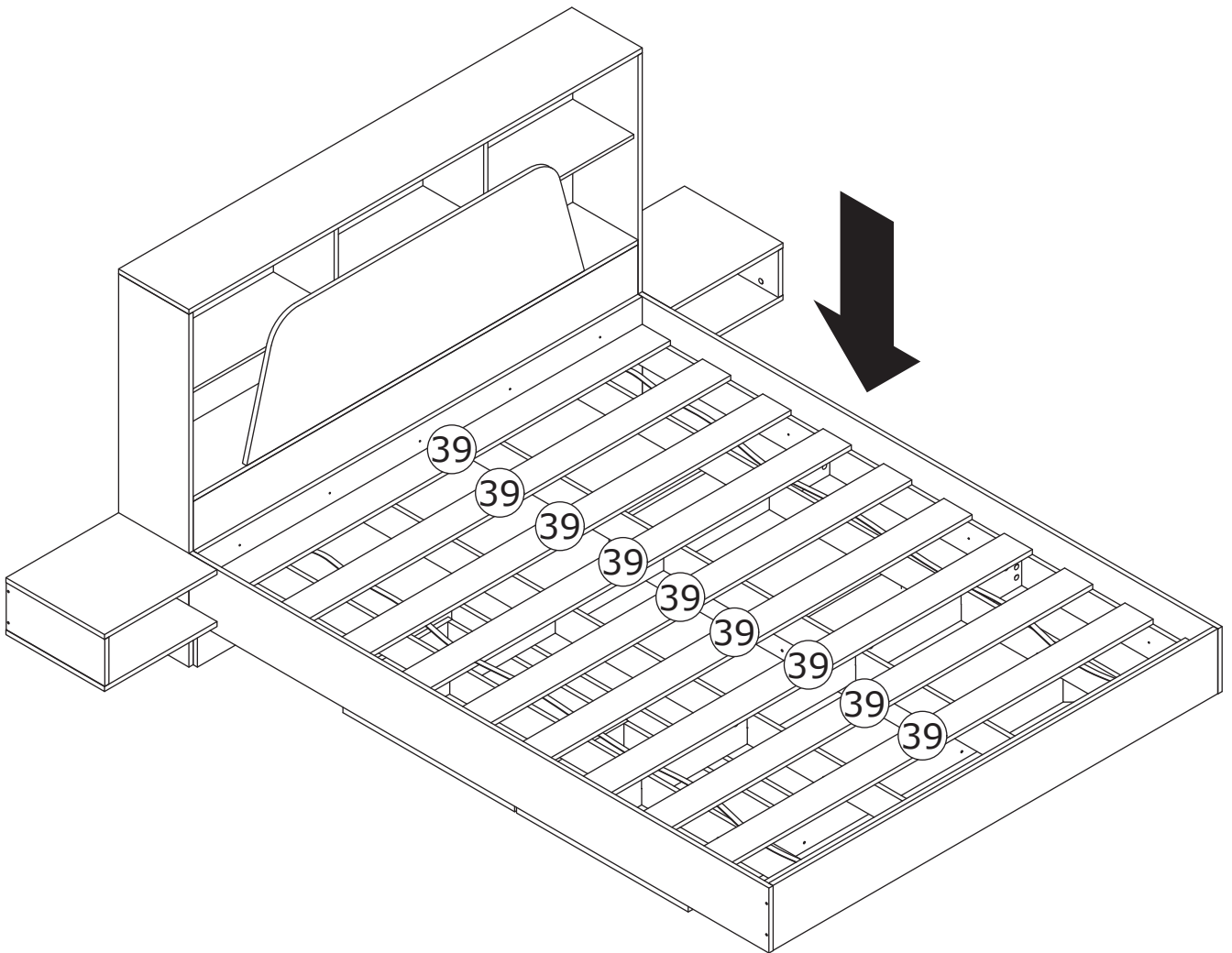
| | | | |
|---|---|---|---|
| <p>F x 2</p>  <p>Ø 5 x 40 mm</p> | <p>H x 2</p>  <p>Ø 3.5 x 50 mm</p> | <p>I x 5</p>  <p>Ø 3.5 x 25 mm</p> |  |
|---|---|---|---|

Fix the component to head cabinet using screw(F, H, I) as shown.



42

Place the bed frame on the bed body.



WARRANTY

WARRANTY CLAIMS

- There is a 30-day warranty for broken furniture or any other problems that do not work properly. The warranty will start from the date of purchase which must be verified by proof of purchase.
- Before making a claim, we may be able to answer your query, simply call us. Please leave your purchase order number, along with some details of the problem, if you want a replacement part. We will arrange within 48 hours. If there is out of stock, we will reply with a shipping date.
- The product must be used in accordance with the instructions provided. For health reasons.
- For other reasons, if the furniture needs to be returned, it must be cleaned and dried and operated within 30 days of receipt.

Type of Warranty Claim

- Failure to follow the furniture instructions will invalidate the warranty. Attention please.
- Does not include damage during installation, but includes damage during transportation.

Scope of responsibility

- Shall not bear any responsibility for misuse or user damage and / or loss of parts during the installation of furniture.
- After using, the damage and scratches of the furniture are not covered by the warranty.

The Warranty Relates to All Bought in The Us and Covers The Following Areas

- Sheet parts: 1 month from the date of purchase.
- Electrical parts: 1 month from the date of purchase.

RETURNS

CHANGED YOUR MIND AND NEED TO RETURN YOU ITEM?

PLEASE FOLLOW THE BELOW INSTRUCTIONS:

- If you have purchased and have simply changed your mind, follow the retailer's instructions for returns.

DEFECTIVE ITEMS

- If your item is defective in any way, i.e. it doesn't work but you can't identify why, in the first instance, please call us.

DAMAGED ITEMS

- If you receive an order with obvious shipping damage from the retailer, then we suggest the delivery is refused. If the delivery has been accepted and then shipping damage is found, please follow the specific instructions advised by the retailer.
In all circumstances please save all packaging material and paperwork for the order. Please be aware that if you dispose of packaging material or attempt to return the merchandise without contacting the fulfiller, you jeopardise your chances of making a claim, and you may not receive a credit for the return.

AFTER-SALES CONTACT



feedbackstation@163.com



(303)800-6387