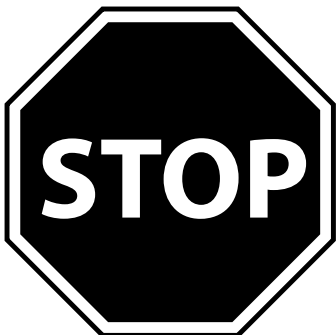


Pro Series 2x4 ft Wall Mounted Steel Shelf 2.0



Warning: Excessive weight hazard!

Use two or more people to move, assemble, or install Wall Mounted Shelf to avoid back or other injury. Do not leave children unattended near Wall Mounted Shelf. High risk of items falling if Wall Mounted Shelf is installed incorrectly: must be securely installed to avoid serious injury. For assistance, call 1.877.306.8930; e-mail at info@newageproducts.com.



ATTENTION:

Is your Wall Mounted Shelf damaged?
Need help or spare parts?
For fastest service, contact NewAge Products at 1-877-306-8930; or support@newageproducts.com.
Do not return to the retailer.

INDEX

[Safety Warning - 3](#)

[Warranty - 4](#)

[Tools Needed - 5](#)

[Included Quantities - 6](#)

[Spare Parts - 7](#)

[Weight Capacity - 8](#)

[Installation options for Wall Mounted Shelf - 9](#)

[Wall Configuration- Option A - 10](#)

[Installing Pad Eye Plate - 13](#)

[Perimeter Beam & Cable Assembly - 14](#)

[Front Beam Assembly - 16](#)

[Installing Cross brace - 17](#)

[Levelling the Platform - 18](#)

[Grid Supports & Wire Grids Installation - 19](#)

[Ceiling Configuration - Option B - 20](#)

[Perimeter Beam & Cable Assembly - 25](#)

[Front Beam Assembly - 27](#)

[Installing Cross brace - 28](#)

[Levelling the Platform - 29](#)

[Grid Supports & Wire Grids Installation - 30](#)

[Connecting Wall Mounted Shelves Vertically - 31](#)

[Connecting Wall Mounted Shelves Horizontally - 32](#)

SAFETY WARNING

PLEASE READ THIS FIRST

1. All Wall Mounted Shelf units have a rated load capacity of 600 pounds, evenly distributed, using 3" lag bolts anchored into solid wood studs or 3" concrete anchors into solid concrete supports capable of supporting such a load.
2. Each Wall Mounted Shelf utility hook can hold a maximum of 50lbs. Weight of utility hook storage must be included in the maximum load of 600lbs for the overhead rack.
3. Do not load more than 600lbs onto a Wall Mounted Shelf. Live loads (people, pets, etc.) may weigh less than the rated weight capacity, however will exert force on the rack beyond it's rated capacity. As such, do not stand, jump or hang from your Wall Mounted Shelf.
4. Wall Mounted Shelf units must be installed into structurally sound overhead/wall joists or supports. NewAge Products Inc. make no claim to the capacity or strength of the structure to which the units are mounted.
5. NewAge Products Inc. cannot be held liable for structure failure, or damage or injury resulting from structural failure.
6. Always inspect the structure of the ceiling and wall to ensure there are suitable supports.
7. The Wall Mounted Shelf is designed for installation into wooden joists/studs and solid concrete. Do not attempt mounting to steel beams.
8. Ensure all weight is distributed evenly on the rack. Place heavier objects near the perimeter frame and cross supports with lighter objects in the center.
9. Do not jump or climb on your Wall Mounted Shelf.
10. Do not lean a ladder against the Wall Mounted Shelf.
11. Routinely inspect your system to ensure all components are fastened correctly
12. It is customer's responsibility to ensure the wall and the ceiling structure is suitable for the Pro wall mounted shelf.
13. Please read the entire manual before beginning to install the product.

NEWAGE PRODUCTS INC. PRO WALL MOUNTED SHELF MANUFACTURER WARRANTY

PROOF OF PURCHASE IS REQUIRED TO OBTAIN WARRANTY SERVICE.

Please have the following information available when you call our customer service team:

- Name, address and telephone number
- Product Name / SKU Number
- A clear, detailed description of the problem
- Proof of purchase including order number

Register your NewAge Products purchase online for quicker customer assistance and access to exclusive benefits

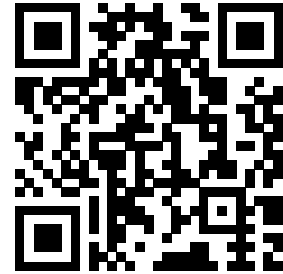
Visit www.newageproducts.com/register/

Warranty Claim

For warranty service please contact NewAge Products at **1-877-306-8930**; or support@newageproducts.com

Please review all warranty details below, prior to contacting NewAge Products for a claim.

Scan the QR code on the right to access our support page or visit www.newageproducts.com/contact-us/



Scan this QR code with the camera on your mobile device to visit the NewAge Products Support Hub
www.newageproducts.com/support-hub/

LIFETIME LIMITED WARRANTY

WHAT IS COVERED

When this product is installed, operated and maintained according to the instructions attached to or furnished with the product, NewAge Products Inc. will replace the defective product or parts if the part fails as a result of defective materials or workmanship for the warranty duration from the purchase date of the product.

WHAT IS NOT COVERED

1. Service calls to correct the installation of any NewAge products or to instruct you how to use or install them.
2. Damage resulting from products caused by accident, misuse, abuse, fire, flood, improper installation, acts of God, neglect, modification or mishandling.
3. Products damaged by improper installation outlined in the instructions provided with the product.
4. Repairs or replacement when your product is used in other than normal, residential use, such as a commercial environment, or handled in anyway inconsistent with the installation instructions included with the product.
5. Surfaces rust resulting from acid rain or environmental chemicals.
6. Replacement parts for NewAge products outside Canada and the United States.
7. Loss due to theft.
8. Damage resulting from use of the product contrary and not in accordance to the instruction manual and Safety Operating Practices.
9. Any labor costs during the warranty period.

DISCLAIMER OF IMPLIED WARRANTIES

IMPLIED WARRANTIES, INCLUDING TO THE EXTENT APPLICABLE WARRANTIES OF MERCHANTABILITY OR FITNESS FOR A PARTICULAR PURPOSE, ARE EXCLUDED TO THE EXTENT LEGALLY PERMISSIBLE. ANY IMPLIED WARRANTIES THAT MAY BE IMPOSED BY LAW ARE LIMITED TO ONE YEAR, OR THE SHORTEST PERIOD ALLOWED BY LAW. THIS WARRANTY IS LIMITED TO THE ORIGINAL BUYER. Some states and provinces do not allow limitations on the duration of implied warranties of merchantability or fitness, so this limitation may not apply to you. This warranty gives you specific legal rights, and you also may have other rights that vary from state to state or province to province.

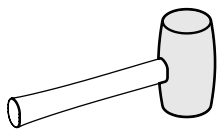
LIMITATION OF REMEDIES; EXCLUSION OF INCIDENTAL AND CONSEQUENTIAL DAMAGES

YOUR SOLE AND EXCLUSIVE REMEDY UNDER THIS LIMITED WARRANTY SHALL BE PRODUCT REPAIR OR REPLACEMENT AT OUR DISCRETION AS PROVIDED HEREIN. NEWAGE SHALL NOT BE LIABLE FOR INCIDENTAL OR CONSEQUENTIAL DAMAGES. Some states and provinces do not allow the exclusion or limitation of incidental or consequential damages, so these limitations and exclusions may not apply to you. This warranty gives you specific legal rights, and you also may have other rights that vary from state to state or province to province.

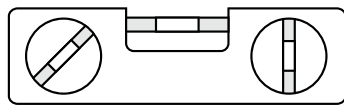
Unpacking

- Begin by placing the package on a covered flat surface.
- Remove all cardboard, packaging material and clear plastic bags.
- Dispose / recycle all packaging materials.
- Verify all the contents in the box and gather the required tools. See "Tools Needed", and "Included Quantities" list.

Tools Needed



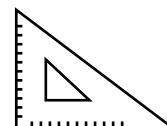
Rubber Mallet



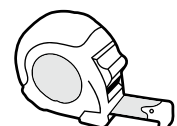
Magnetic or Laser Level



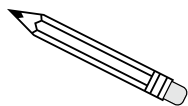
Stud Finder



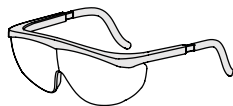
Rafter Square



Tape Measure



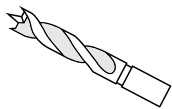
Pencil



Safety Glasses



7/16" & 1/2"
socket



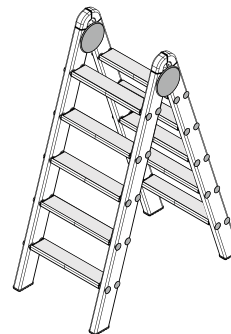
3/16" Drill Bit



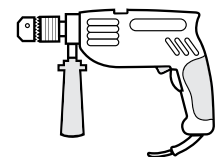
7/16" & 1/2"
Socket Wrench



Cordless Power Drill



Ladder



1 x Hammer Drill



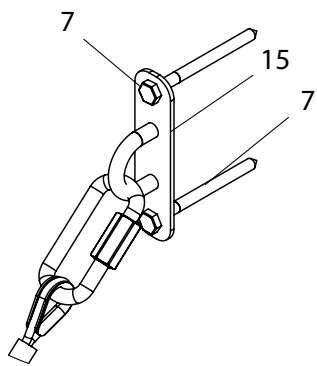
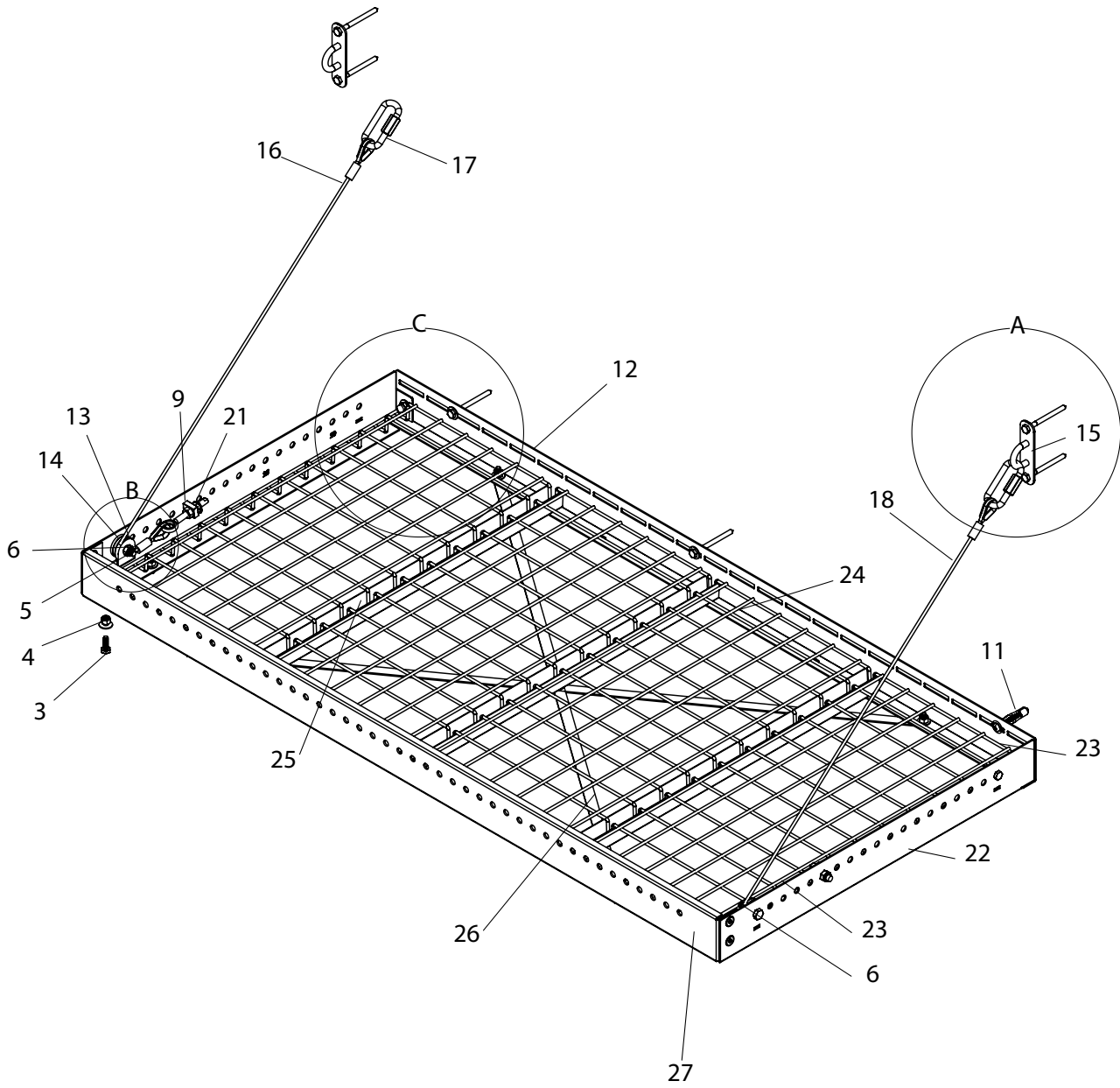
1 x 3/8" Masonry Bit

[optional for masonry]

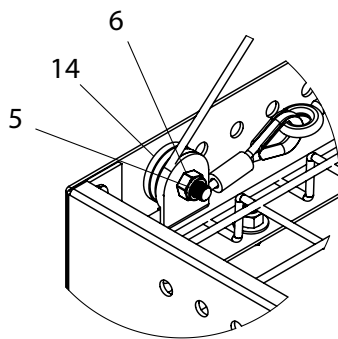
Included Quantities

ITEM NO.	PART NUMBER	DESCRIPTION	BOM QTY.	SKU	Spare part QTY.
1	H00002A-01	M6 Flat Washer	20	-	-
2	H00003A-01	1/4-20 Acorn Nut	2	40340	1
3	H00004A-01	1/4-20x0.75in Hex Bolt	10	-	-
4	H00005A-01	0.25-20 Lock Nut	10	-	-
5	H00006A-01	5/16-18x1.25in Hex Bolt	2	40504	1
6	H00007A-01	5/16-18 Lock Nut	4	40505	1
7	H00009A-01	M6x75mm Hex Head Tapping Screw	6	-	-
8	H00767A-01	Carriage Bolt	2	40503	1
9	H00769A-01	0.3125-18in Union screw	2	-	-
10	H00815A-01	Push-on External Retaining Rings 1/4" OD	2	-	-
11	H00010A-01	Concrete Anchor	1	40343	1
12	WSH-01.005A-02-XX	Back Beam	1	-	-
13*	WSH-01.012A-01-XX	Pulley Cable Cap	2	40341 - Black	1 set
14*	WSH-01.013A-01	Pulley	2	40342 - White	
15	WSH-01.015A-01	Pad Eye Plates	2	40482	1 Set
16	WSH-01.019A-01	2ft Wire Rope Tensioner	2	40356	1 Set
17	WSH-01.014.07A-01	C-Shaped Clamp	1		
18	WSH-01.019.01A-01	2ft Wire rope Assy	1		
19	H00770A-01	0.3125-18in Medium-Strength Steel Hex Nut	1		
20	H00007A-01	5/16-18 Lock Nut	1		
21	WSH-02.001A-01-XX	2ft Side Beam - LHS	1	40359 - Black	1
22	WSH-02.002A-01-XX	2ft Side Beam - RHS	1	40360 - White	1
23	WSH-02.003A-01-XX	2ft Finishing Grid Section	2	-	-
24	WSH-02.004A-01-XX	2ft Middle Grid Section	2	-	-
25	WSH-02.005A-01-XX	2ft 'U' Shaped Grid Supports	3	-	-
26	WSH-02.006A-01-XX	2ft Cross Support	2	-	-
27	WSH-03.001A-01-XX	4ft Front 'c' channel	1	-	-

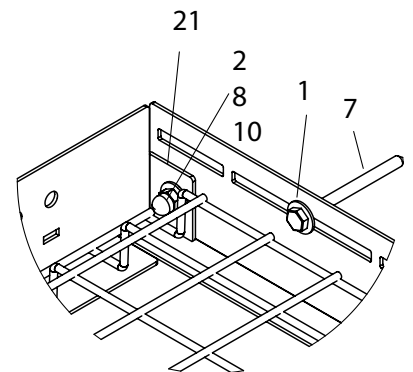
Note: Item 13 & 14 are available as spares with hardwares



DETAIL A

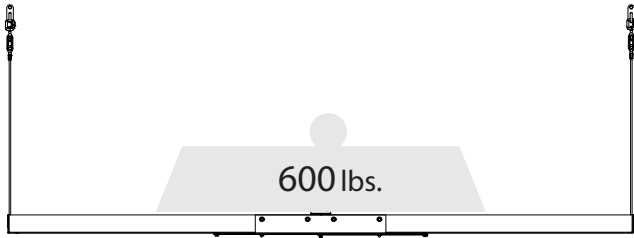


DETAIL B

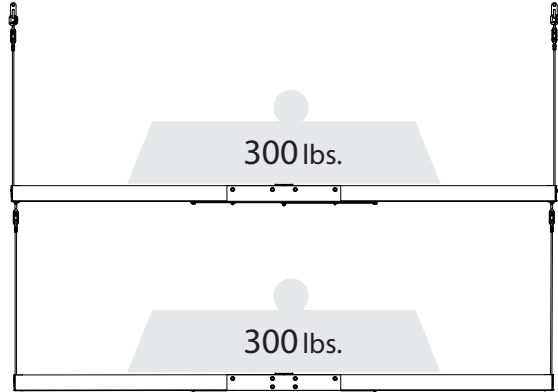


DETAIL C

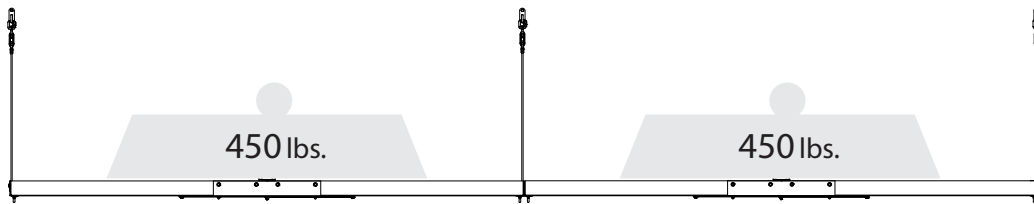
Weight Capacity



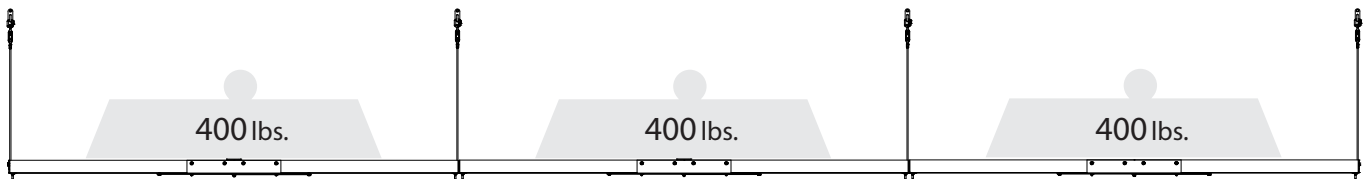
Single Wall Mounted Shelf



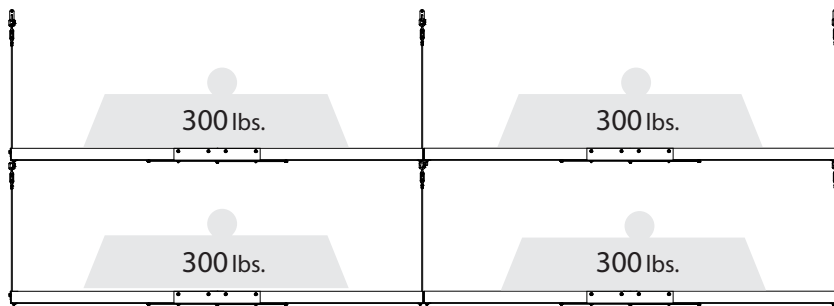
Two Linked Wall Mounted Shelves Installed Vertically



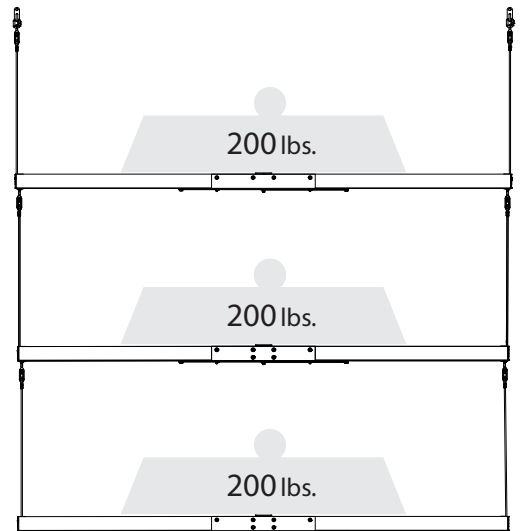
Two Linked Wall Mounted Shelves Installed Horizontally



Three Linked Wall Mounted Shelves Installed Horizontally



Four Linked Wall Mounted Shelves Installed Vertically & Horizontally



Three Linked Wall Mounted Shelves Installed Vertically

Installation options for Wall Mounted Shelf

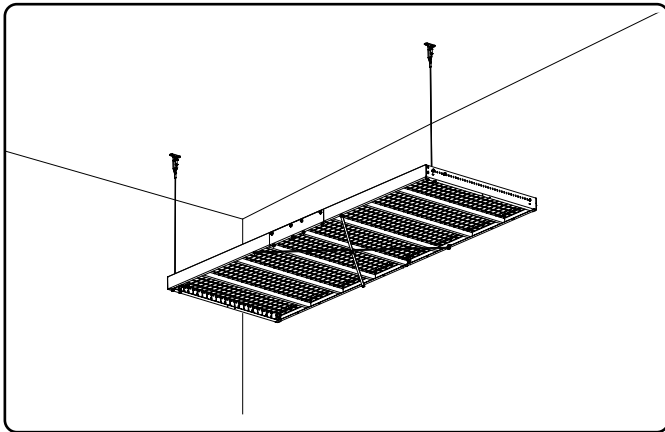
i **Important information:** Please read entire manual before beginning installation.

- Layouts shown are examples only.
- Do not exceed total weight capacity of Wall Mounted Shelf.
- Plan layout and measure space for clearance and stud spacing before installing.
- Ensure wall mounted shelf is securely installed to suitable structure.

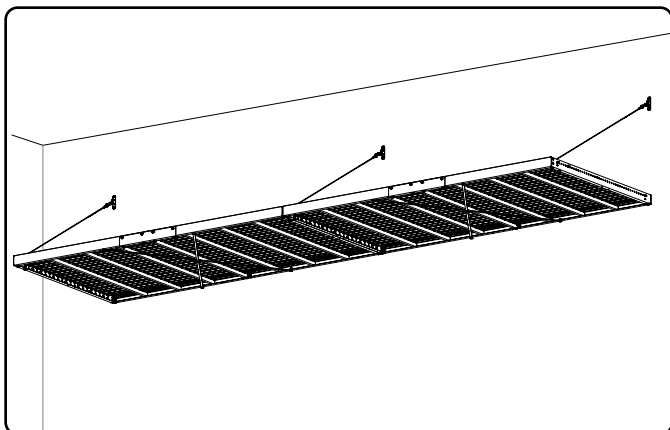
Option B.

Single Wall Mounted Shelf attached to ceiling. Distance from Ceiling is adjustable from 18in to 30in.

(Start on page 20, Option B)

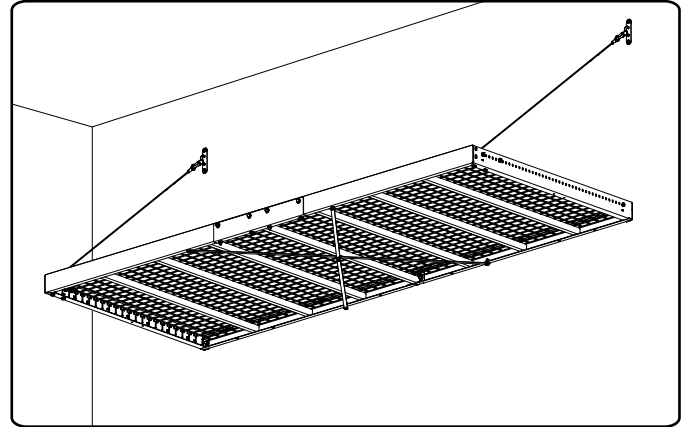


Connecting Wall Mounted Shelves Horizontally. (Page 32)

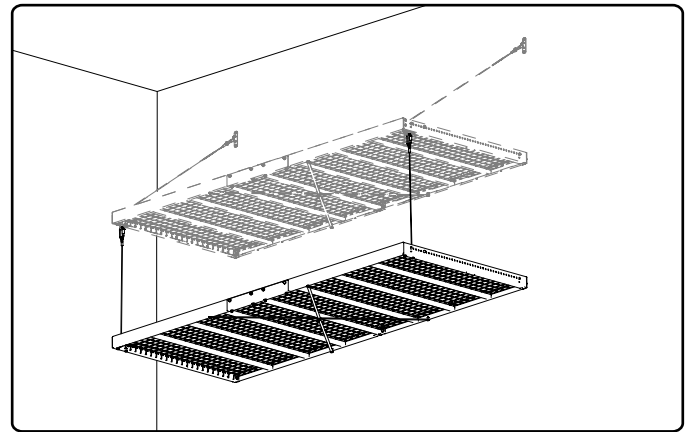


Option A.

Single Wall Mounted Shelf attached to wall. (Start on page 10, Option A)

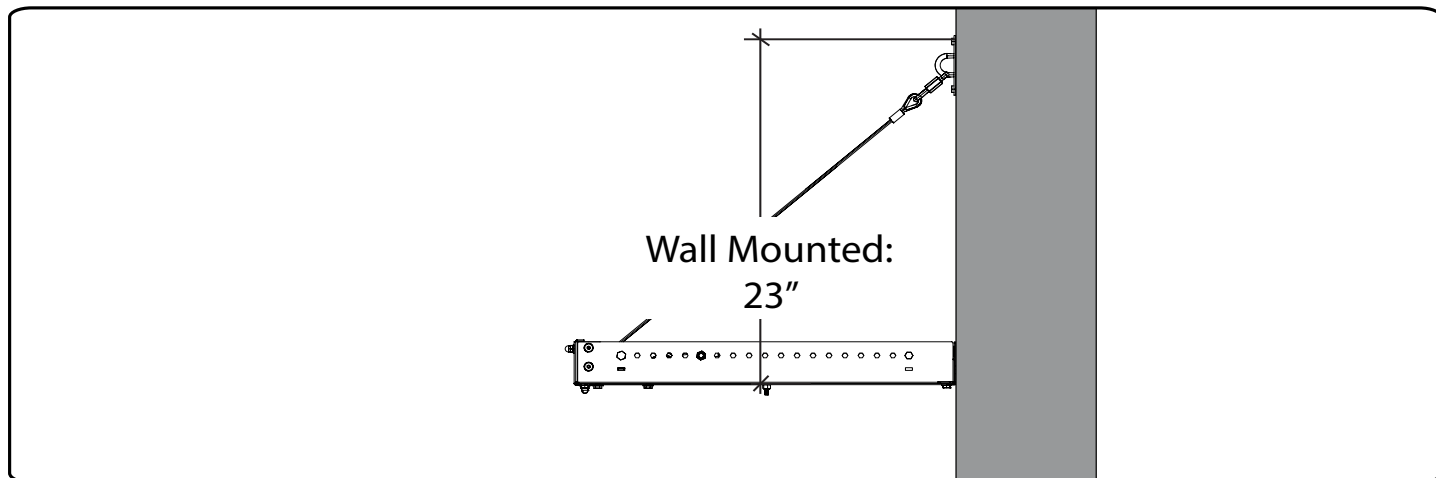


Connecting Wall Mounted Shelves Vertically (Page 31)

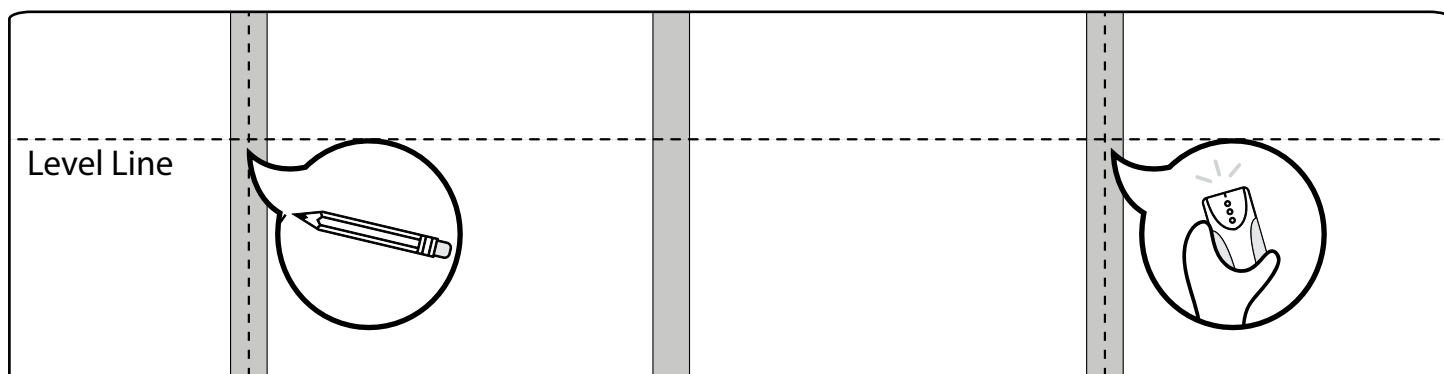


Wall Configuration - Option A

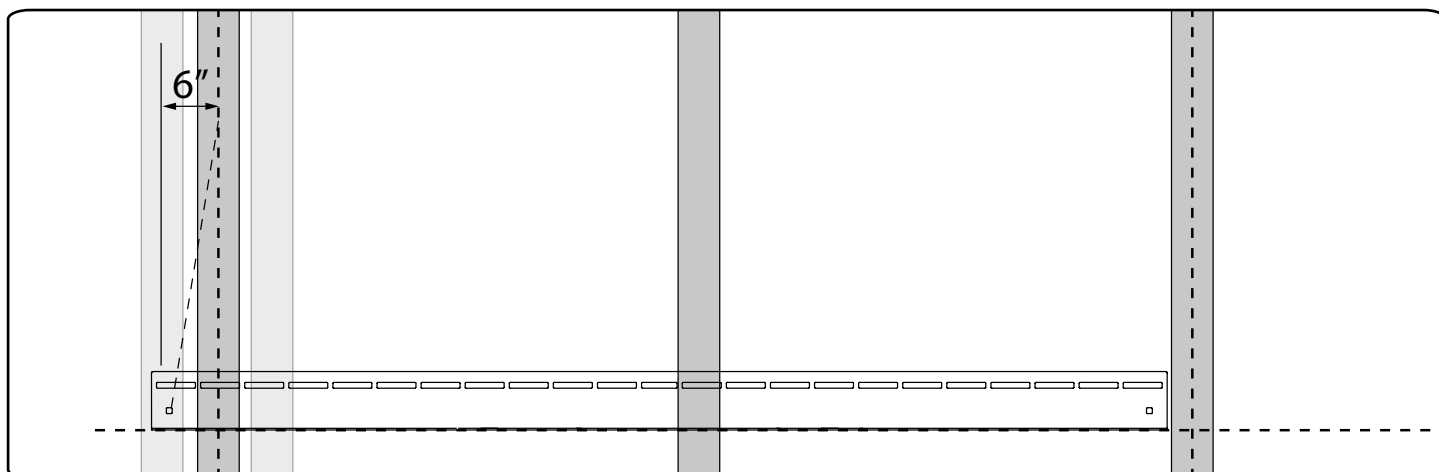
- 1 Ensure you have 23" of vertical wall clearance measured from the bottom of the Pro Wall Mounted Shelf to the top of the pad eye plate for installation.



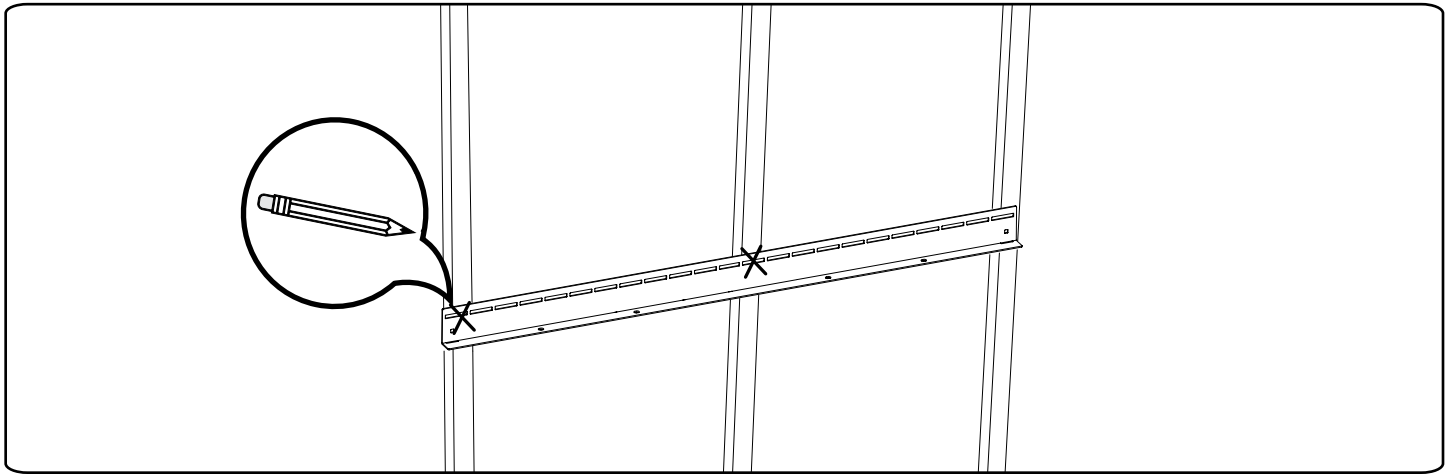
- 2 Using a level, draw a horizontal line at the desired location for the bottom of the Wall Mounted Shelf. If the wall has exposed wall studs, mark the horizontal line on the studs.
Note: For ease of install, use a laser level to mark the horizontal line



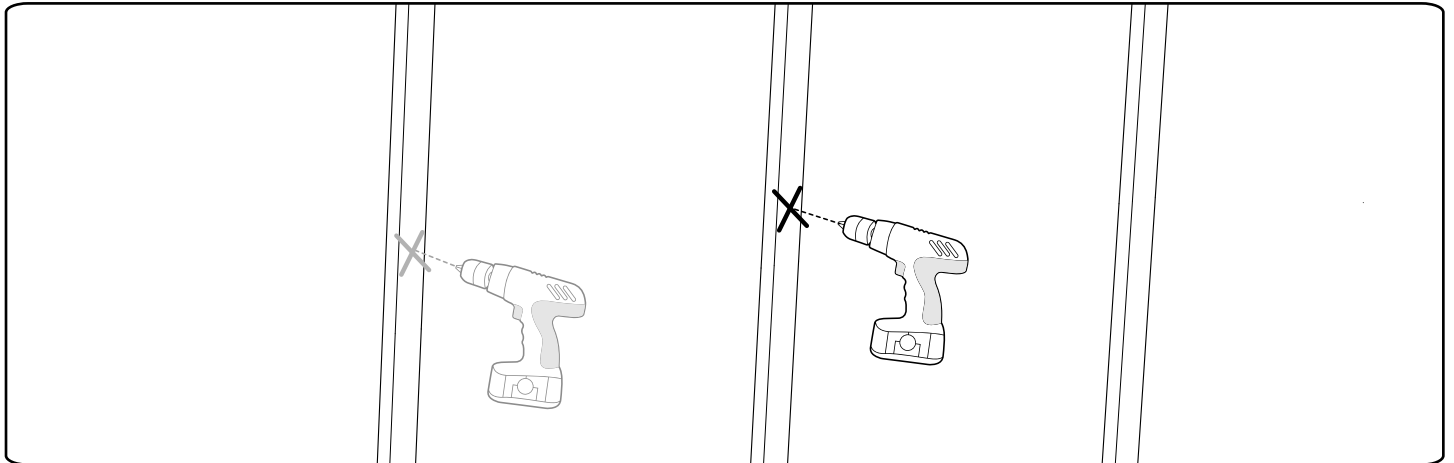
- 3 Place sub assembly against the wall. The center of the stud should not be more than 6 inches away from the Pro wall mounted shelf frame.



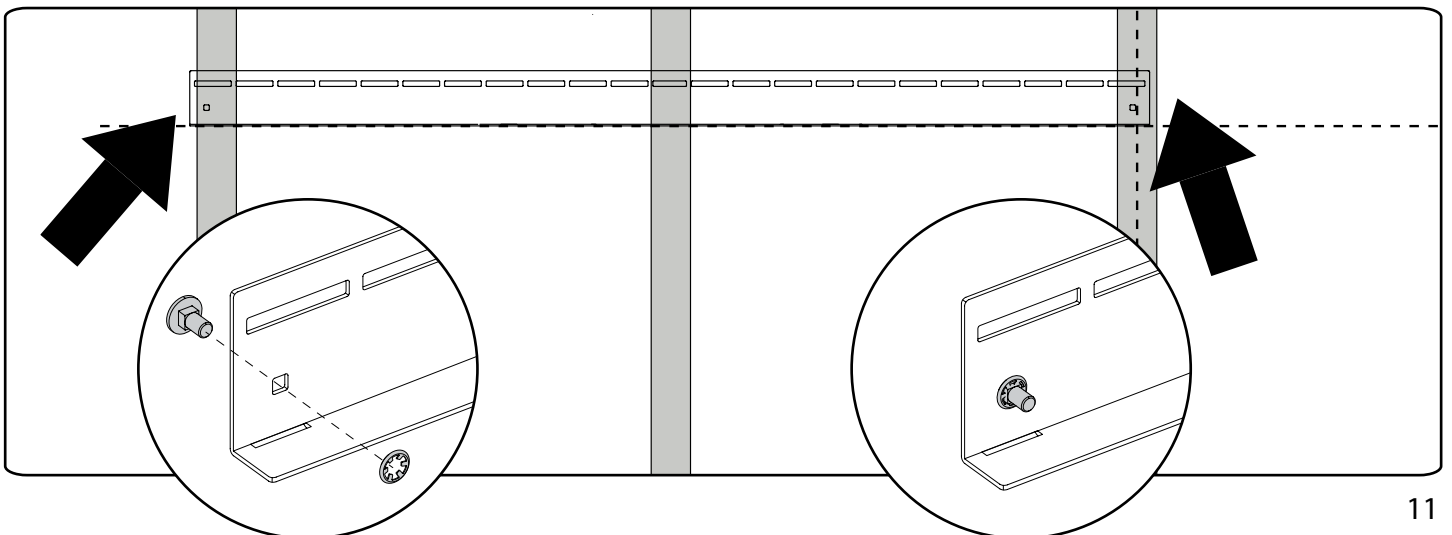
- 4** Mark the location of the lag screws. Each back beam should have 2 lag screws as equally spaced out as possible.



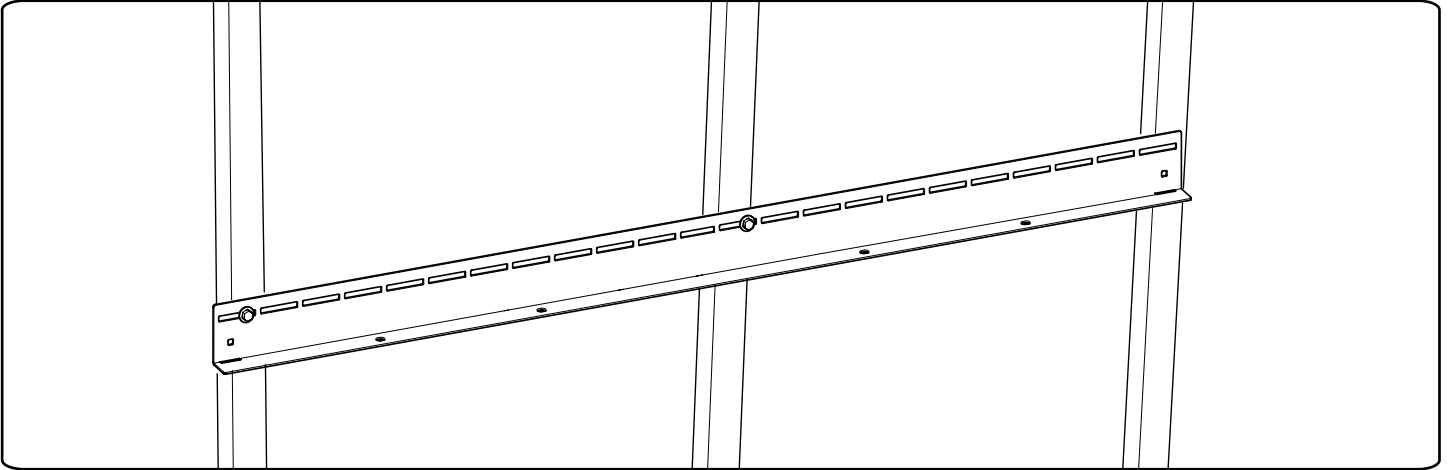
- 5** Using a 3/16inch drill bit, create pilot holes in the marked locations.
Note: Pilot hole must be at least 3 inch deep for lag screw to fully secure.



- 6** Insert a flat head carriage bolt and Push-on External Retaining Rings on both ends of the assembled back beams.

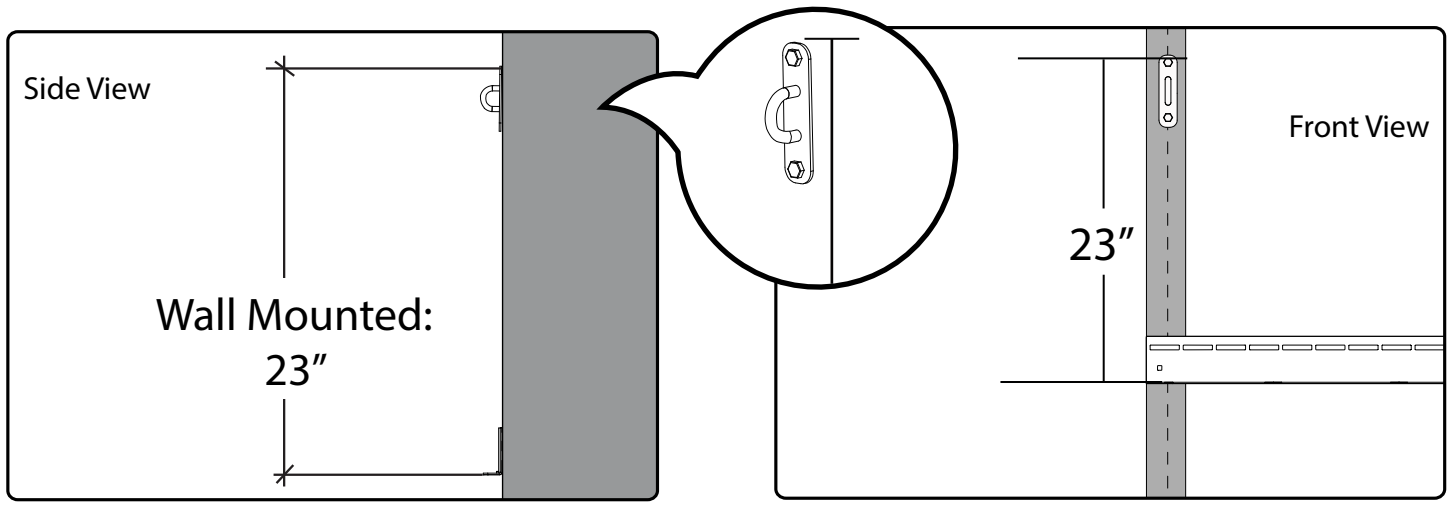


7 Using a 7/16" socket, install 2x lag screws and 2x washers into the pilot holes.

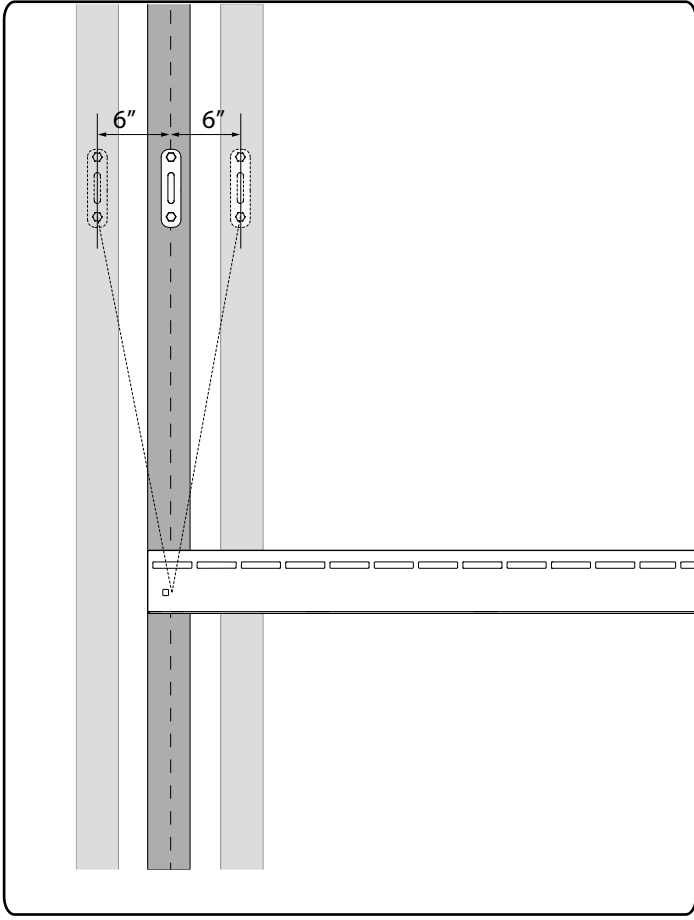


Installing Pad Eye Plate

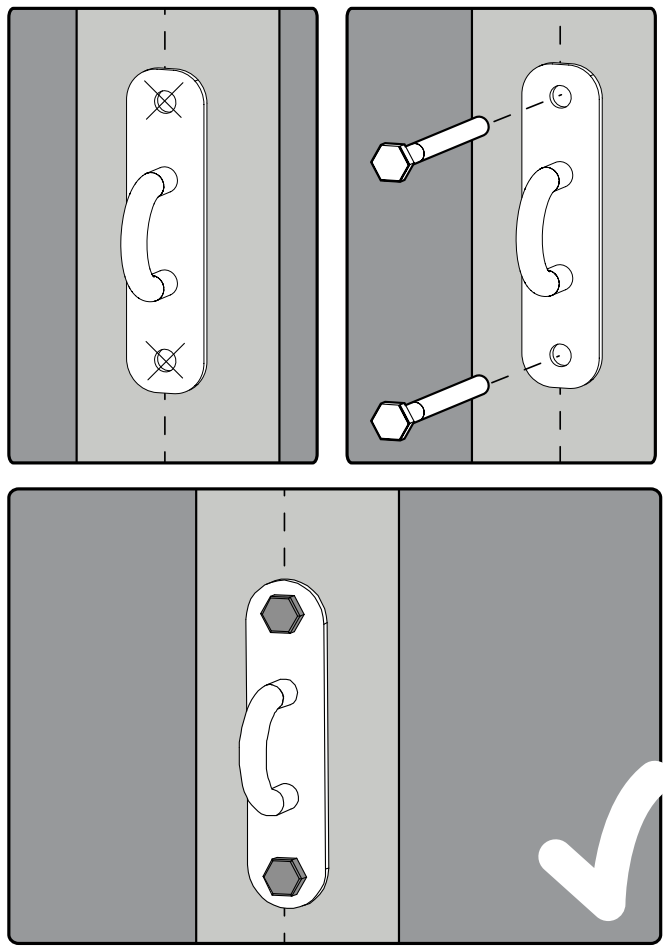
- 8** Measure 23 inches up, from the bottom of the Pro Wall Mounted Shelf frame, and mark the closest stud in the left- and right-hand side.



- 9** The center of the stud should not be more than 6 inches away from the Pro wall mounted shelf frame.

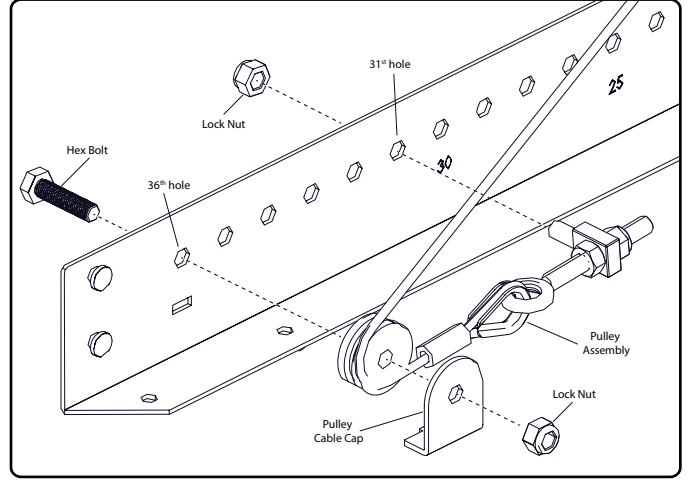
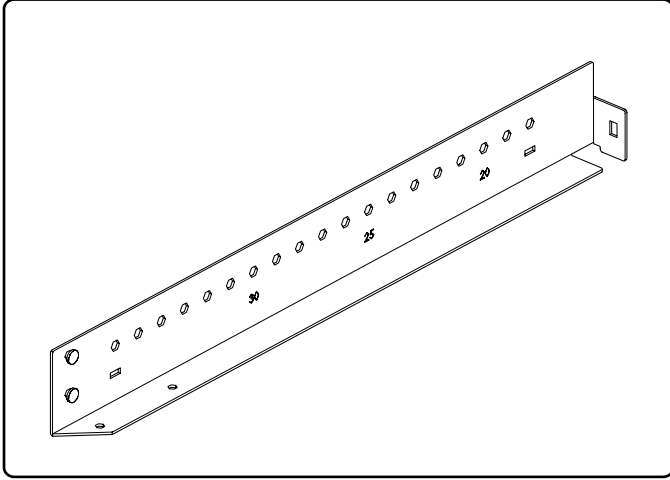


- 10** Drill pilot holes into the solid wood using a 3/16" drill bit. Using a 7/16" socket, secure the pad eye plate to the stud using 2x lag screws. Repeat this step for the other side.

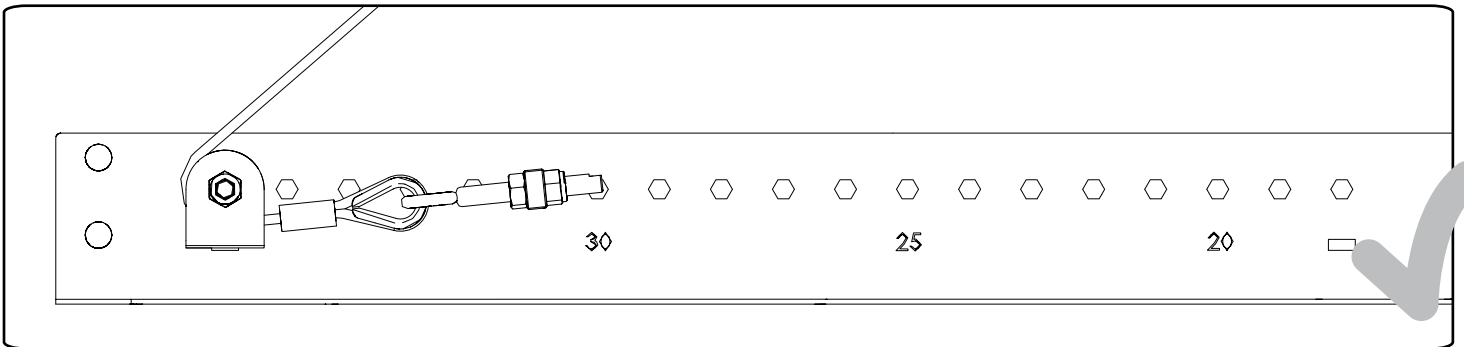
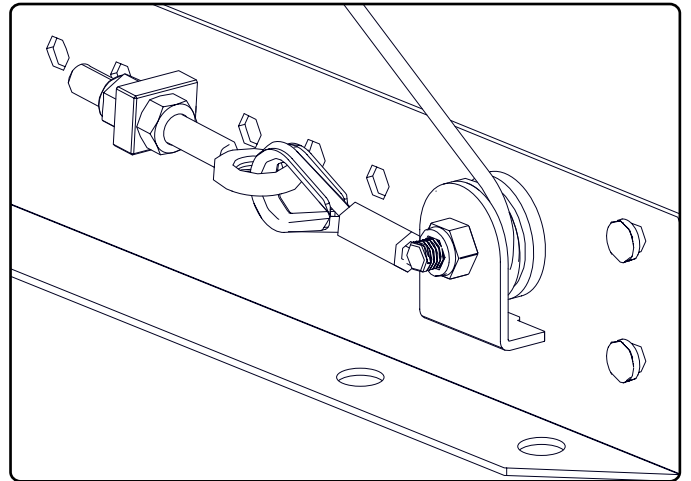
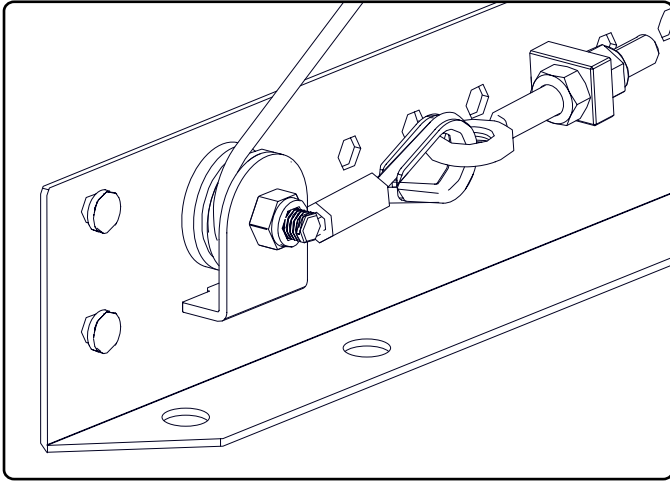


Perimeter Beam & Cable Assembly

- 11** Wrap the cable assembly around the pulley. Secure the pulley and pulley cable cap into the 36th hole of the side beam with a 5/16" hex bolt and nut. Secure the end of the cable to the 31st hole with a 5/16" lock nut.



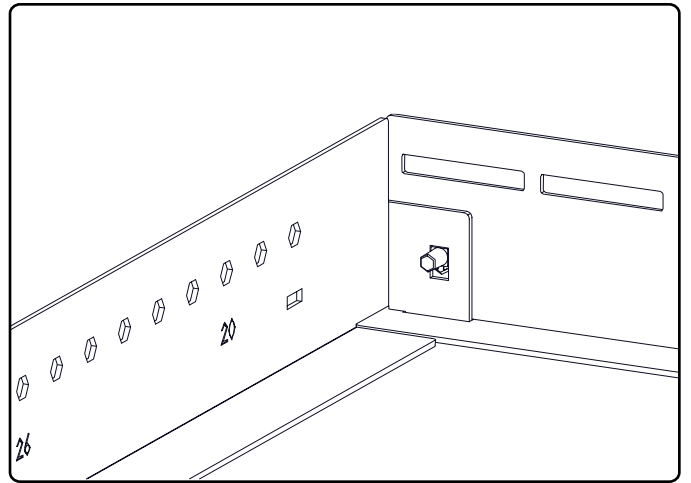
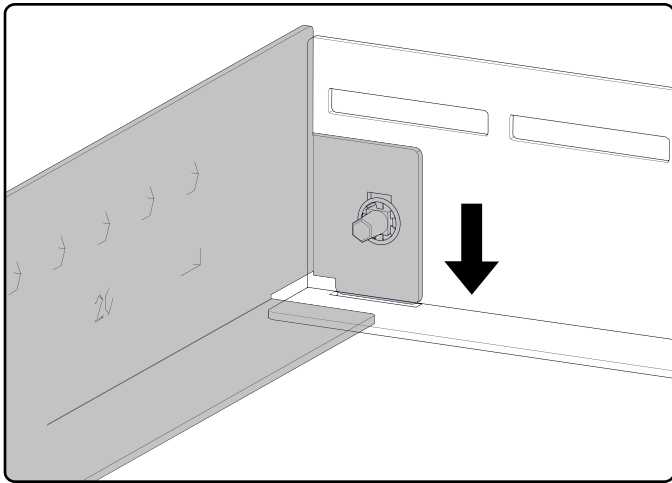
- 12** Repeat step 11 for the other side beam assembly.



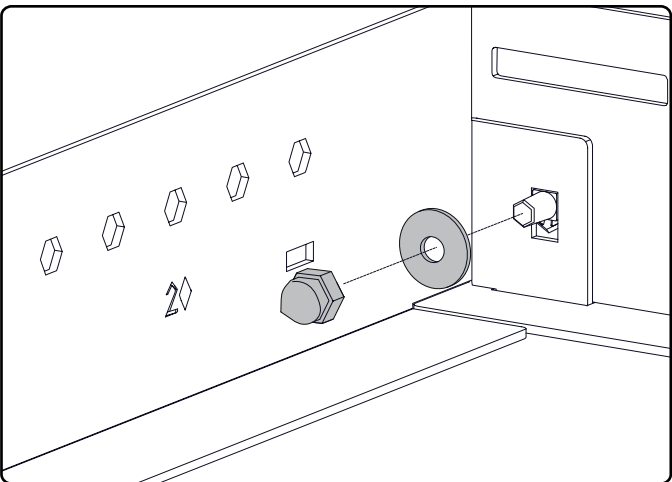
Note : Refer to [page 32](#) to install two shelves horizontally together.

Perimeter Beam & Cable Assembly

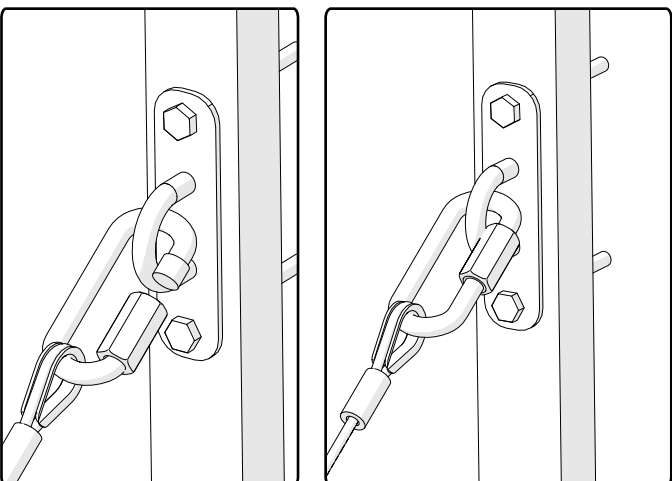
- 13** Insert the side beam onto the installed back beams. Ensure the side beam is inserted into the cut out found at the back beam.



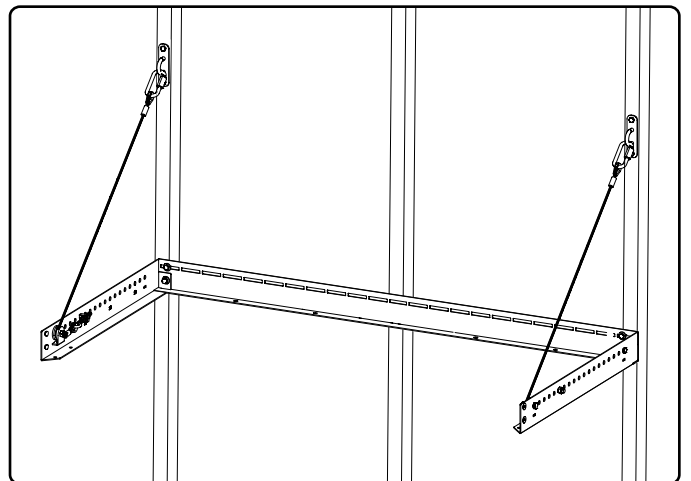
- 14** Secure the side beam using X1 washer and X1 acorn nut.



- 15** Hook the cable to the pad eye plate.

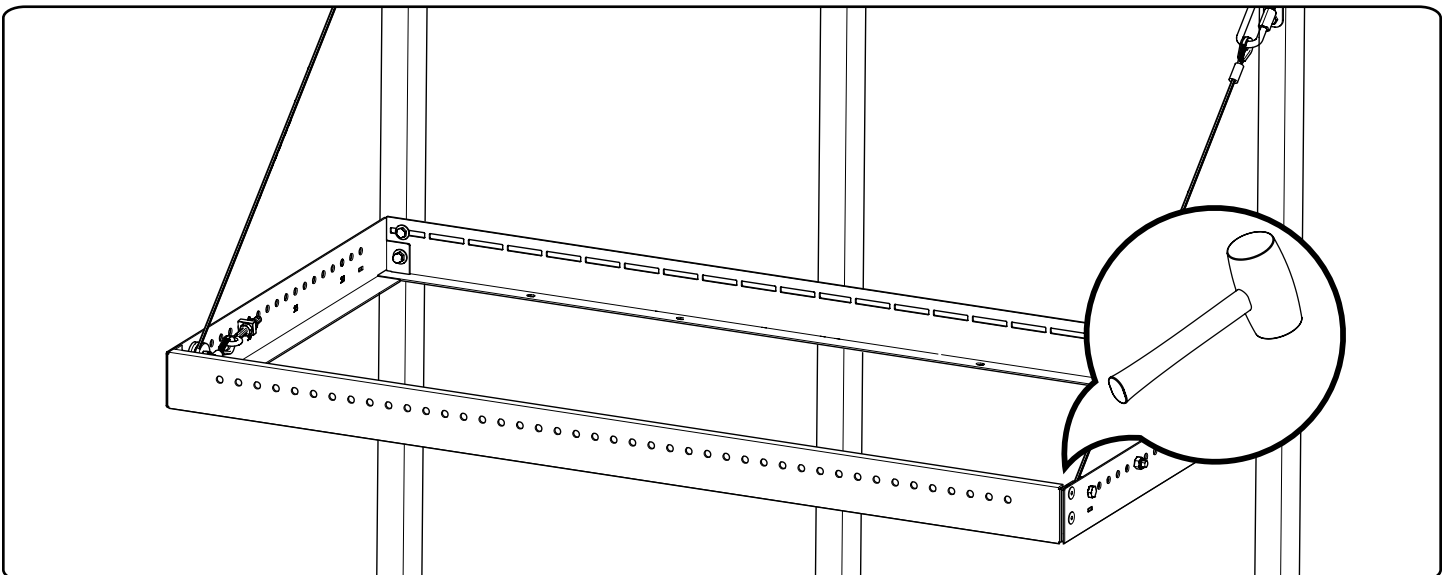
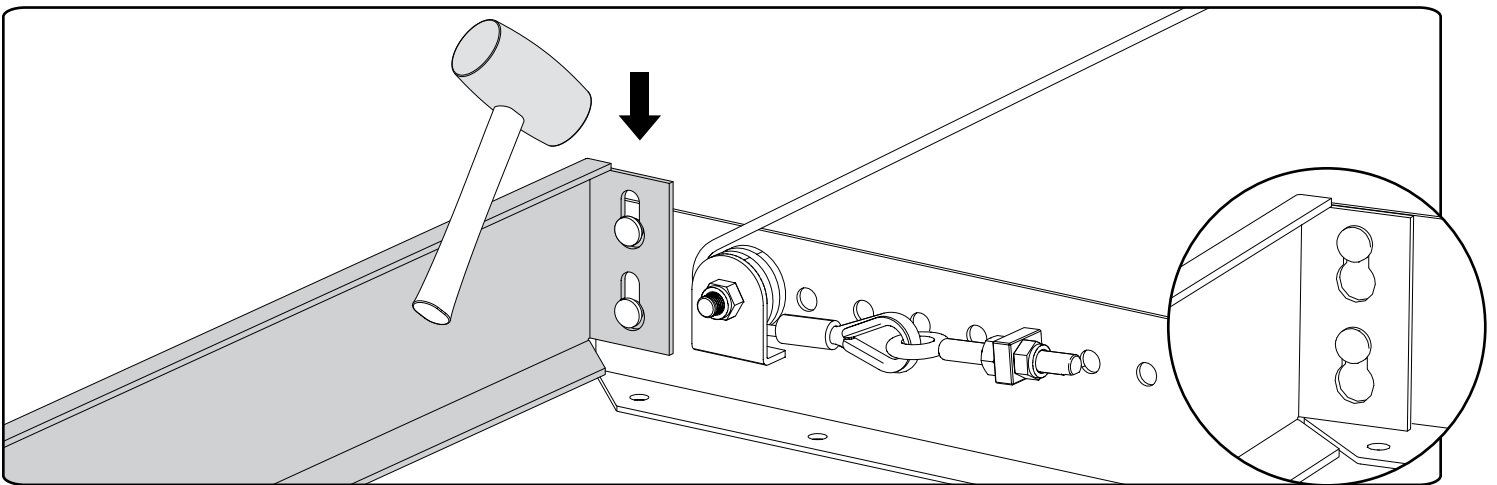
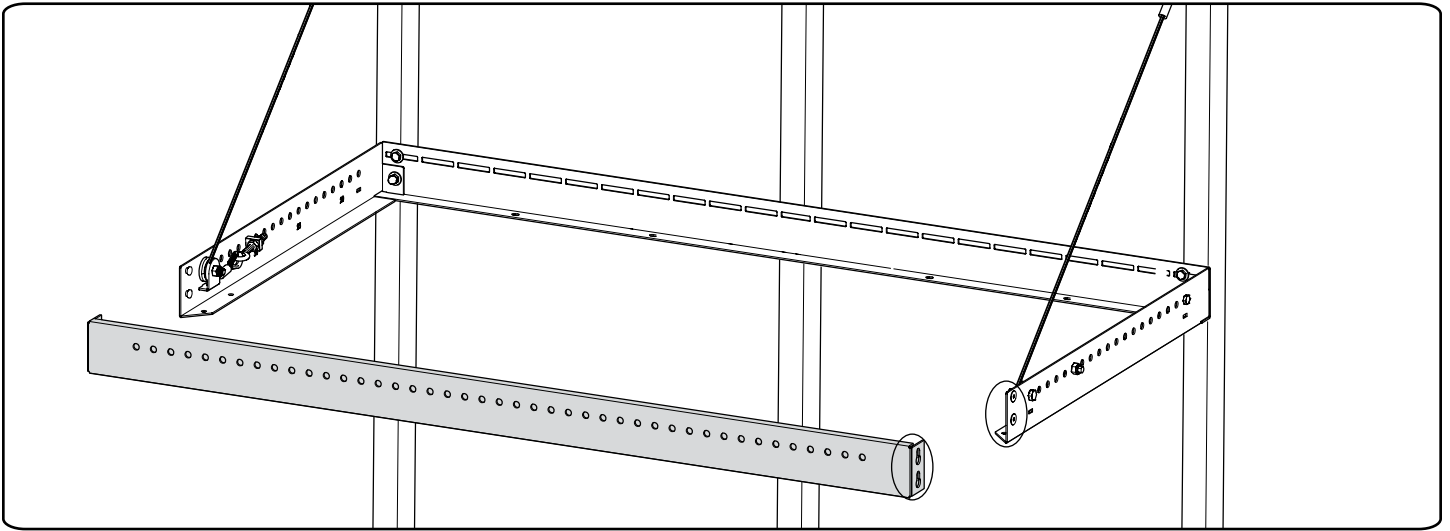


- 16** Repeat steps 13-15 for the other side.



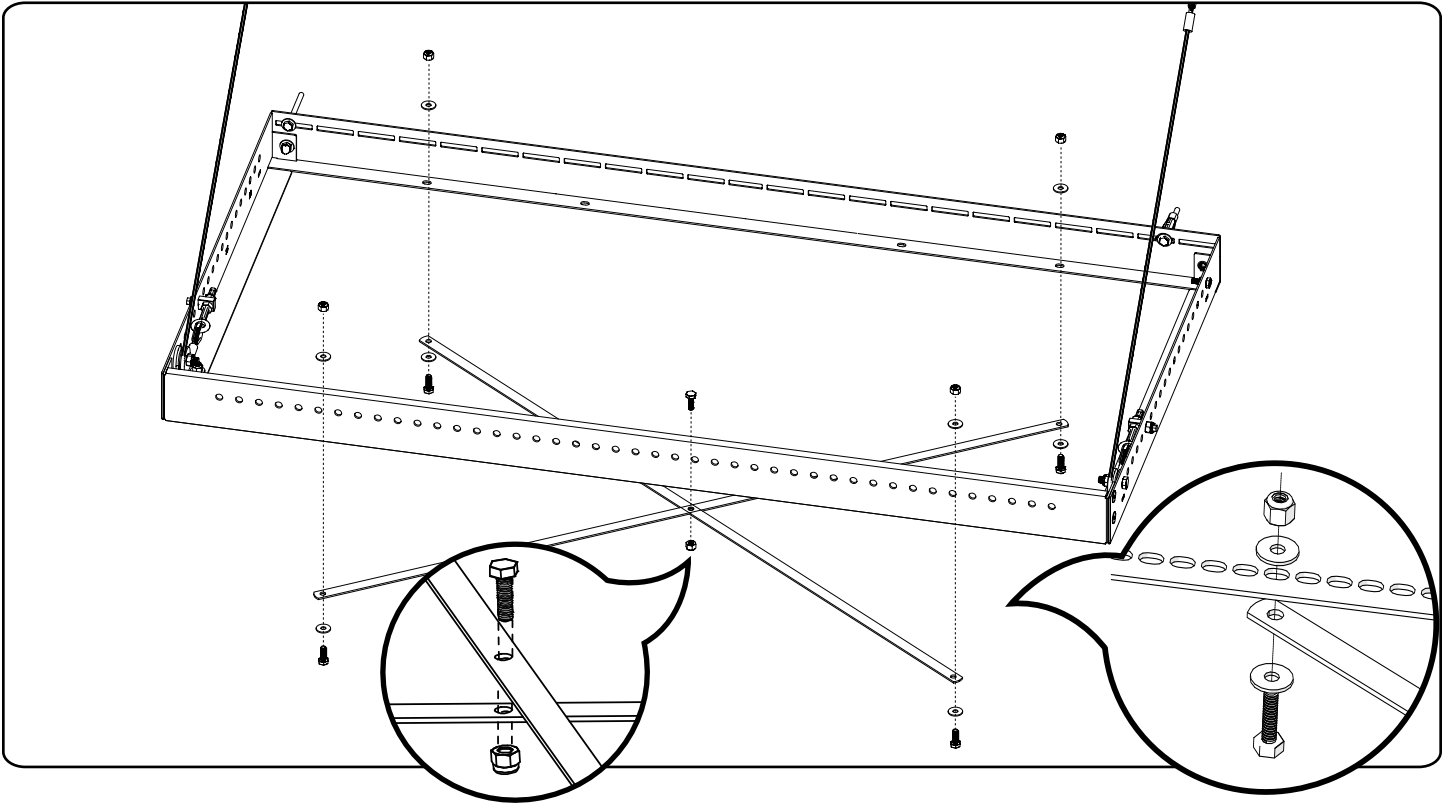
Front Beam Assembly

- 17** Guide the mounting holes of the front beam into the shoulder rivets on the side perimeter beam. Use a rubber mallet to seat the rivets with the top of the keyhole slots.



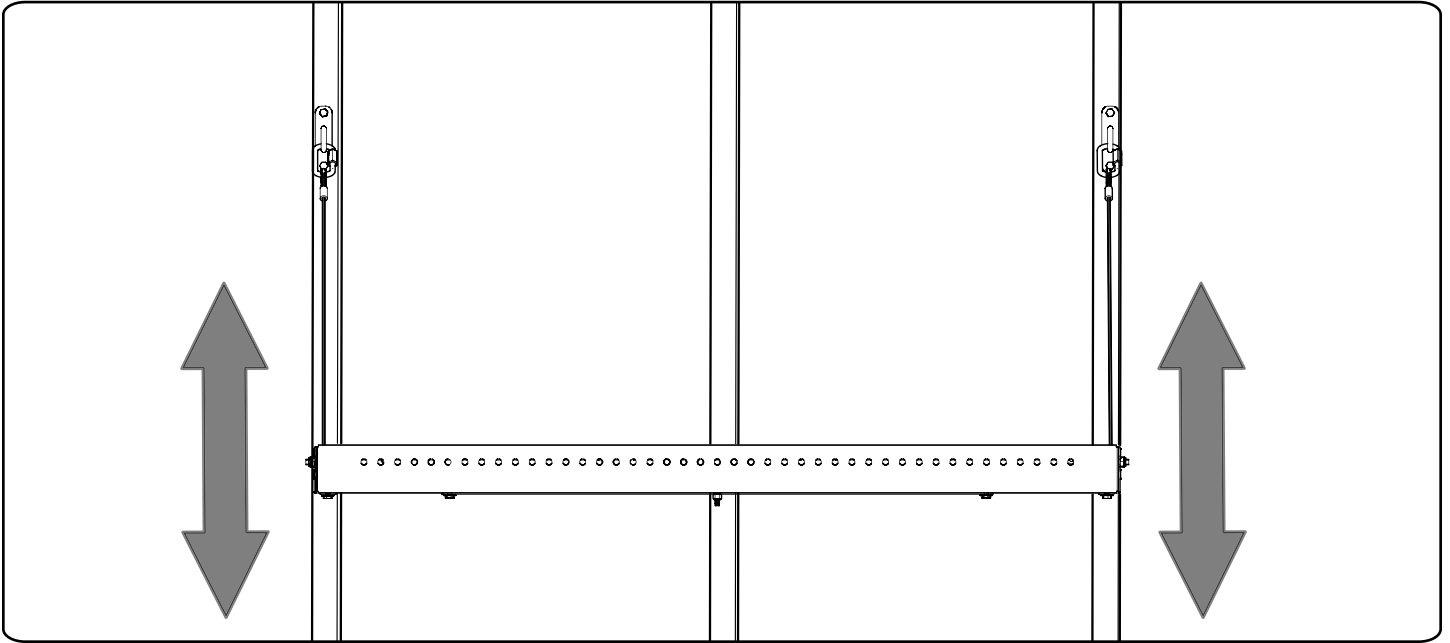
Installing Cross brace

- 18** Assemble the 4ft Cross Supports with one 1/4" hex bolt and 1/4" lock nut.
Attach the assembled 4ft cross supports to the perimeter frame with 4x hex bolts, 8x washers, and 4x lock nuts.

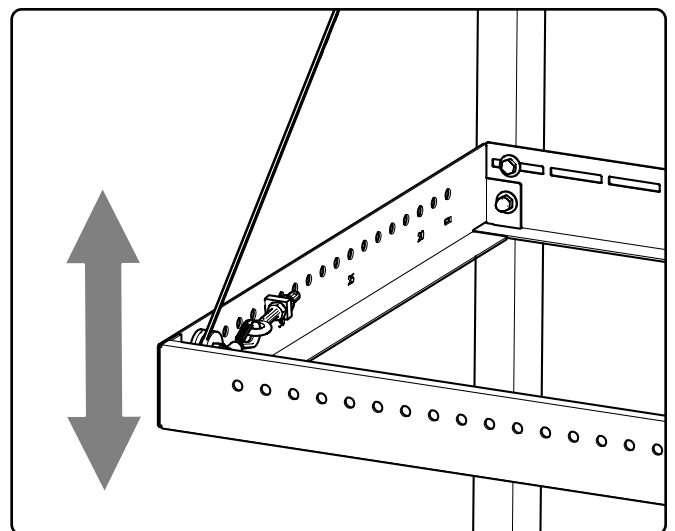
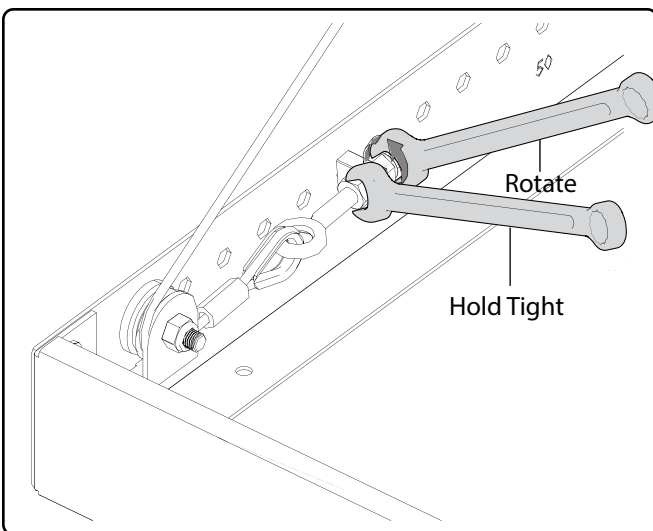


Levelling the Platform

- 19** Measure each side of the bottom Pro Wall Mounted Shelf frame, from the ceiling or the floor. Ensure the Pro Wall Mounted Shelf platform is levelled on each side.



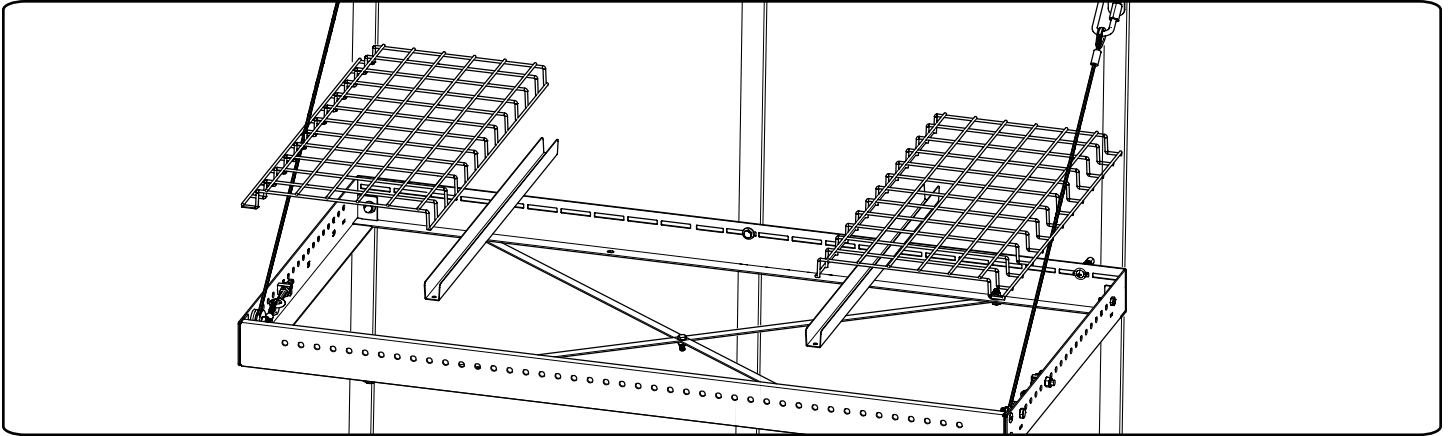
- 20** If the Pro Wall Mounted Shelf needs to be levelled, use a wrench to hold the pulley tight and twist the nut installed in the furthest location. Rotating it anti-clockwise will lift the platform.



Grid Supports & Wire Grids Installation

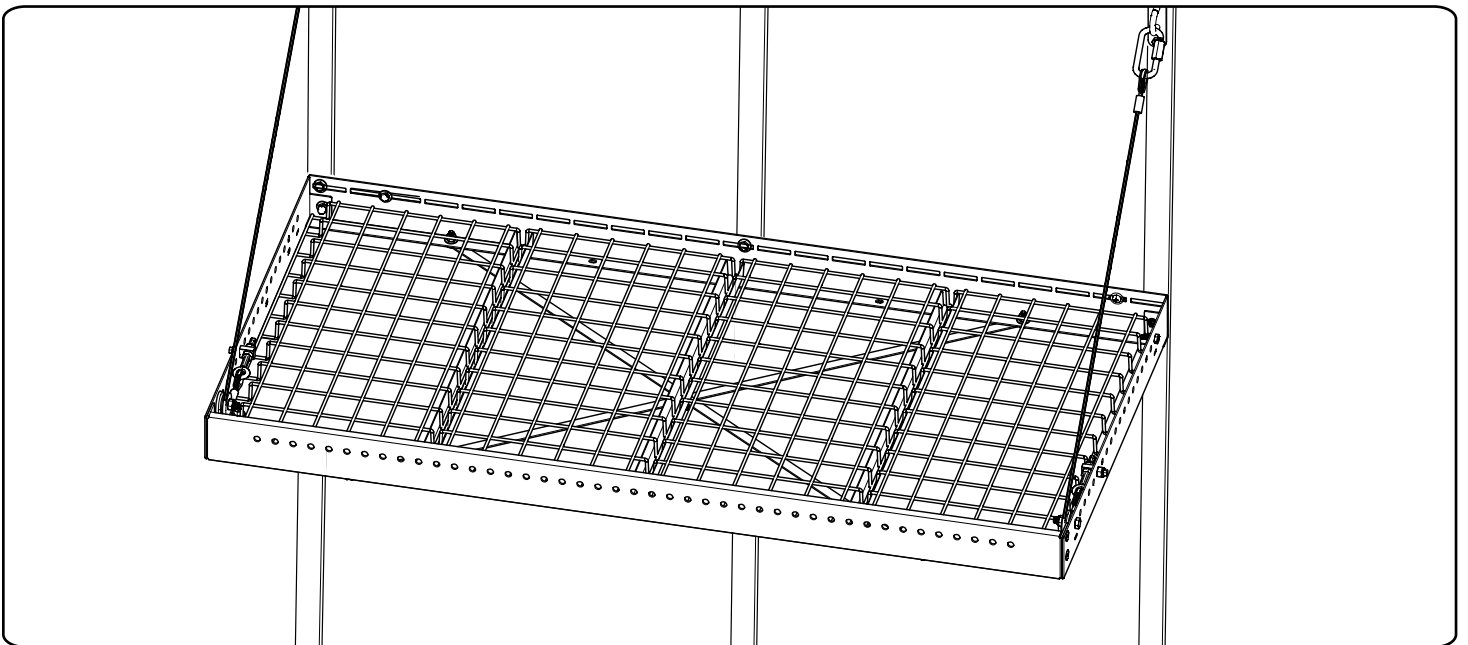
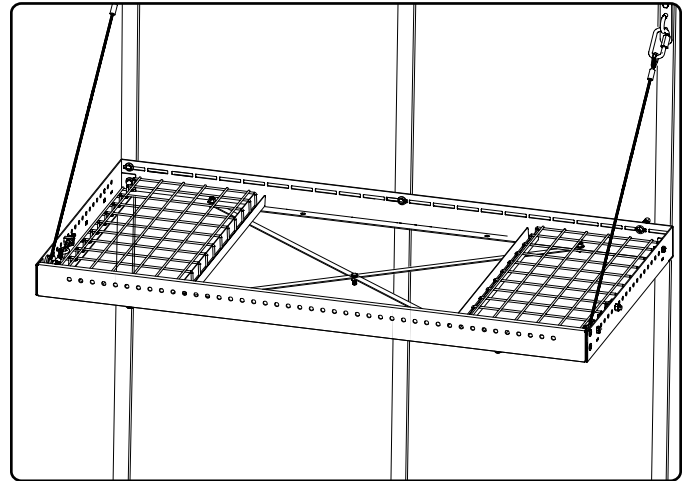
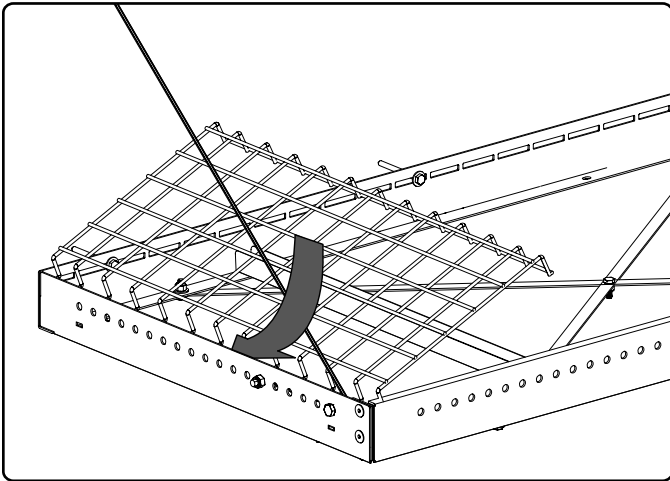
21

Begin at the side ends of the Wall Mounted Shelves and slide the 2ft Finishing Grid Section with bent edges. The bent edges would slide below the installed Pulley & Cables. Place 2ft "U" Shaped Grid Supports under wire grid.



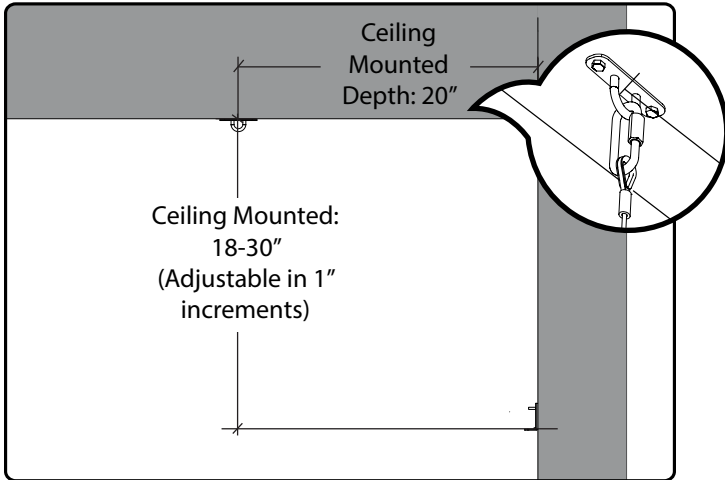
22

Moving inward, place remaining bottom "U" Shaped Grid Supports and Grid Sections onto the Wall Shelf.



Ceiling Configuration - Option B

- 1 Measure 20" inches, in depth, from the wall to the middle of the ceiling. Ensure it is centered to the ceiling joist.

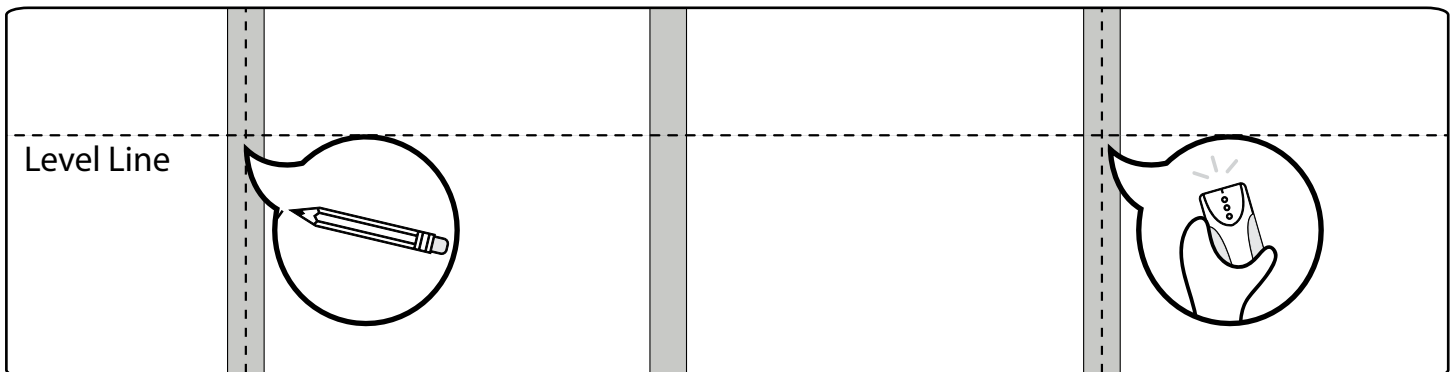


Note:

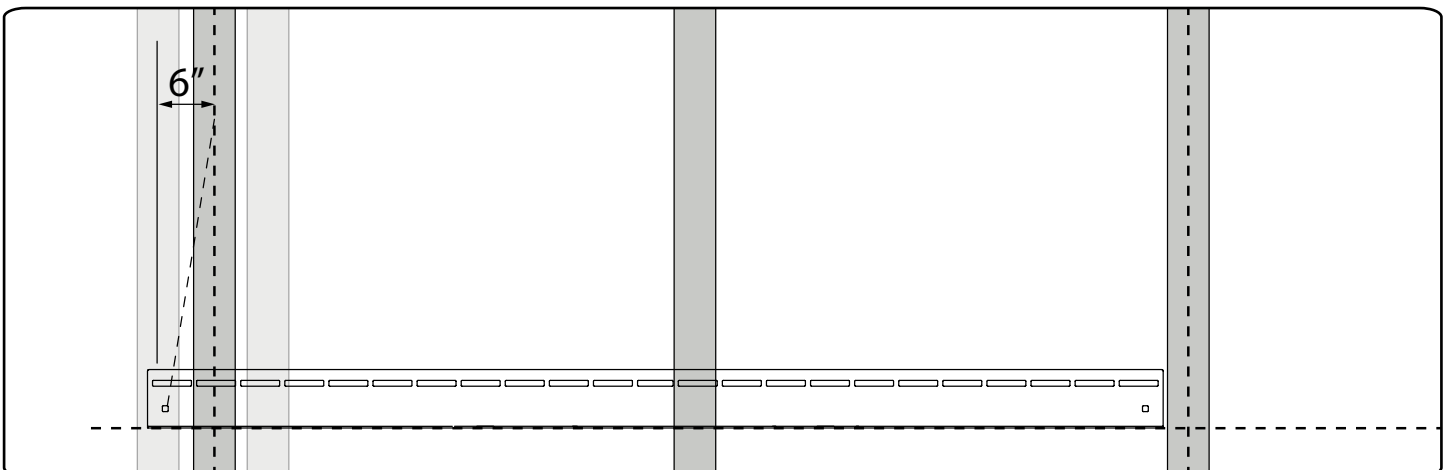
If Ceiling Joists are not in the required location, refer to "Installing with Irregular Joist Spacing" on Page 30.

- 2 Using a level, draw a horizontal line at the desired location for the bottom of the Wall Mounted Shelf. If the wall has exposed wall studs, mark the horizontal line on the studs.

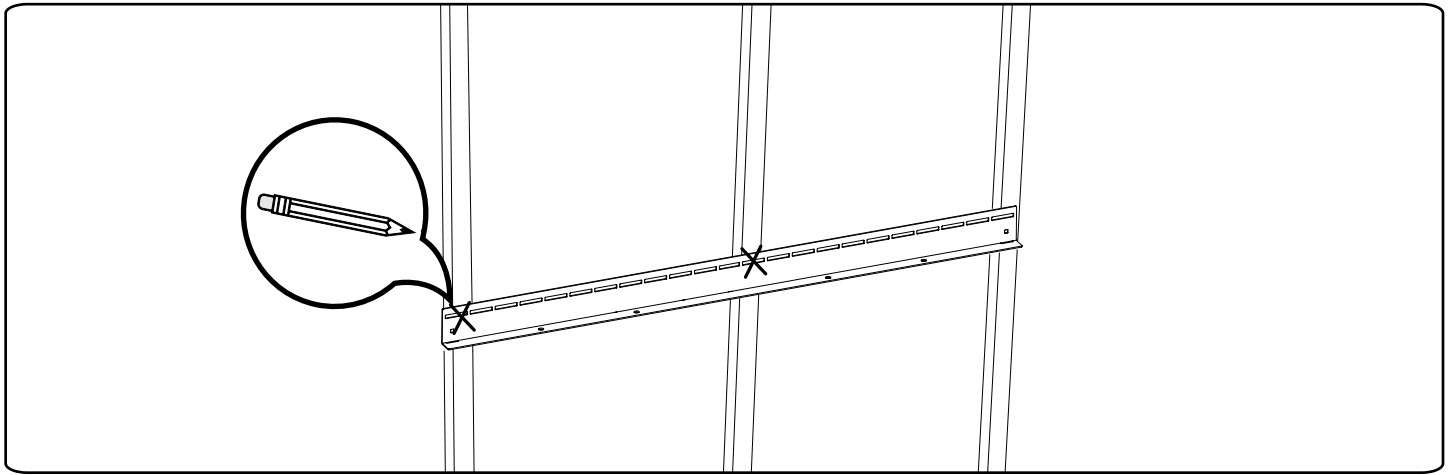
Note: For ease of install, use a laser level to mark the horizontal line



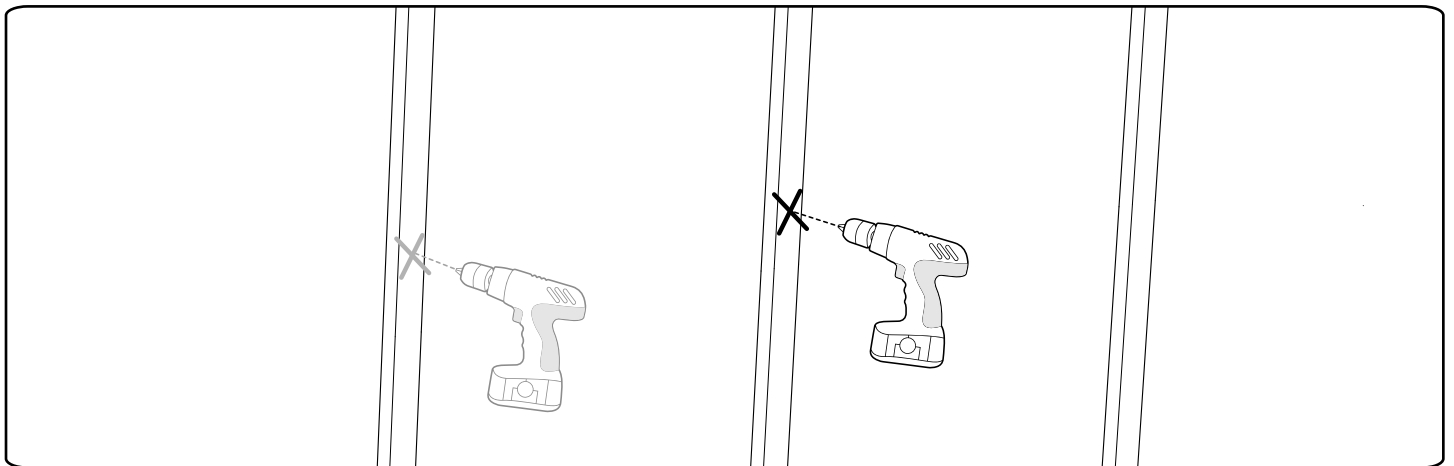
- 3 Place sub assembly against the wall. The center of the stud should not be more than 6 inches away from the Pro wall mounted shelf frame.



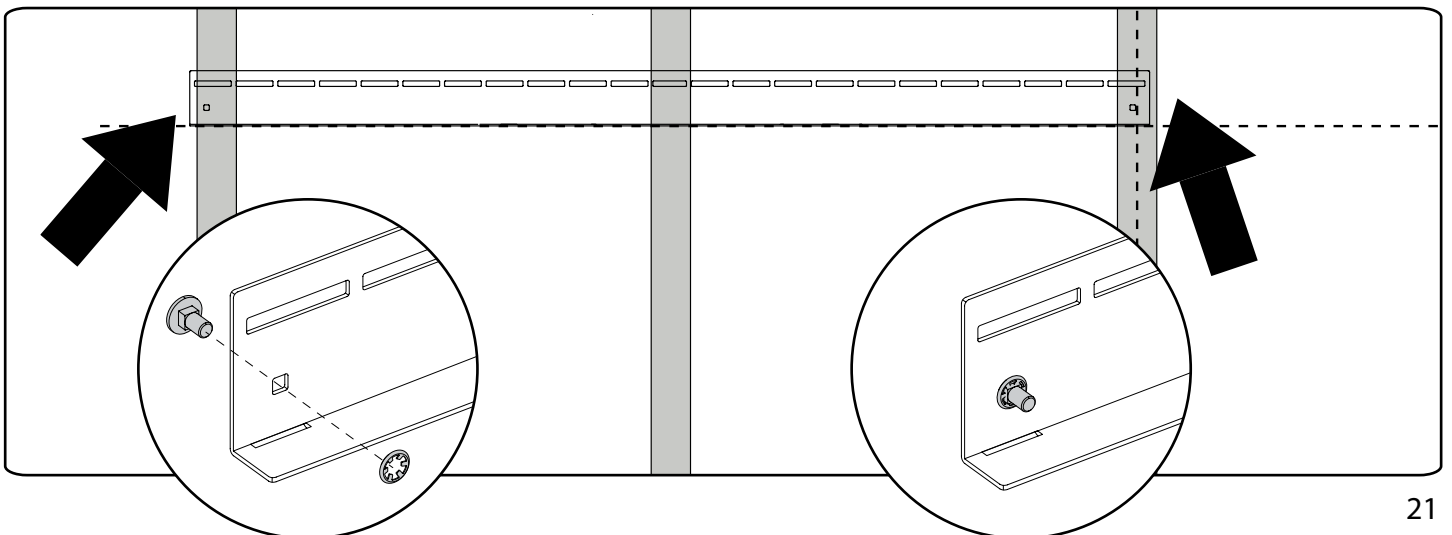
- 4** Mark the location of the lag screws. Each back beam should have 2 lag screws as equally spaced out as possible.



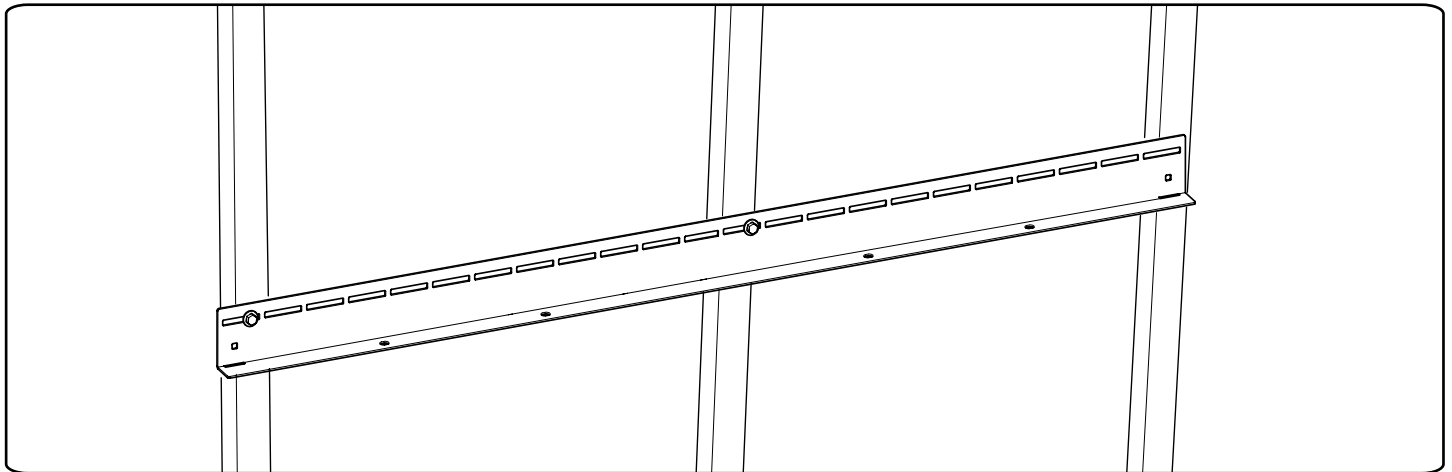
- 5** Using a 3/16inch drill bit, create pilot holes in the marked locations.
Note: Pilot hole must be at least 3 inch deep for lag screw to fully secure.



- 6** Insert a flat head carriage bolt and Push-on External Retaining Rings on both ends of the assembled back beams.

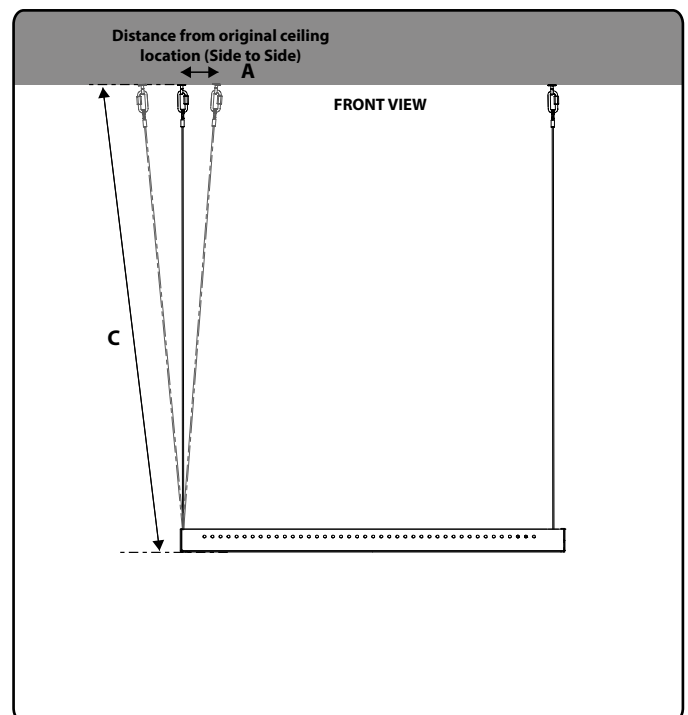
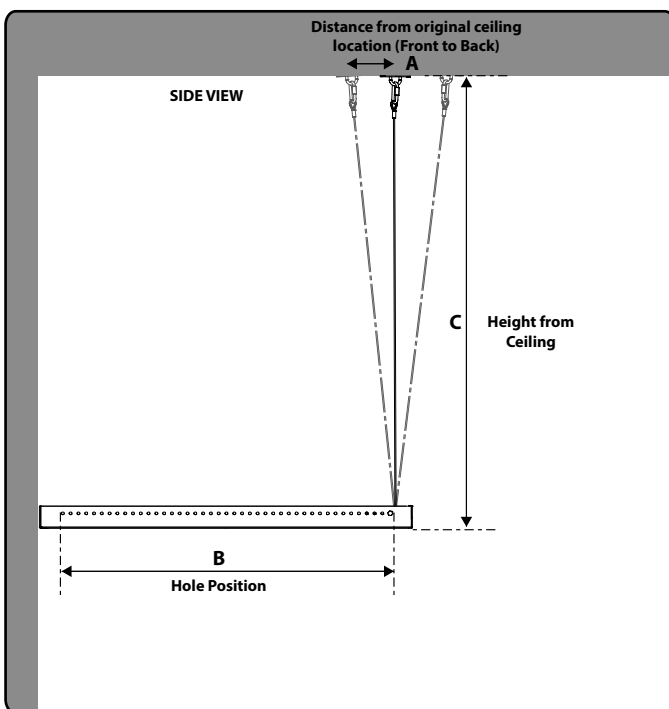


- 7** Using a 7/16" socket, install 2x lag screws and 2x washers into the pilot holes.

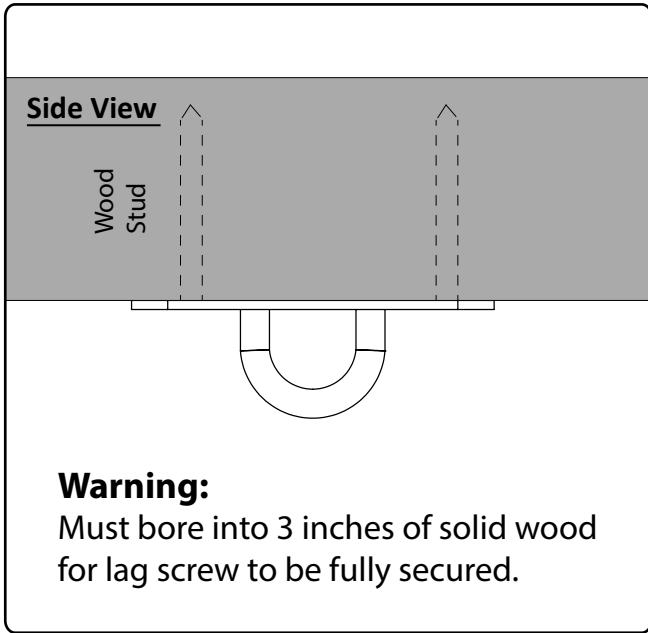


Note: Depending on the location of your joists and layout, pad eye plates can be positioned up to 6 inches side to side or front to back. The height of the shelf needs to be adjusted according to the values in the table on page 23.

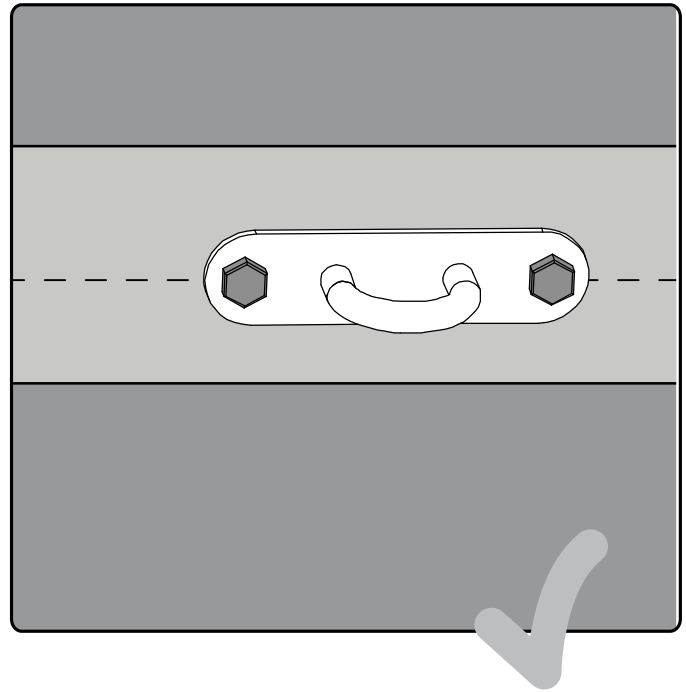
- 8** Determine the distance of the pad eye plate from the intended original ceiling location (A) and hole position (B). Look at your corresponding values on page 23 (for A and B) to determine your height from ceiling location (C).



9 Drill pilot holes into the solid wood using a 3/16" drill bit.



10 Using a 7/16" socket, secure the pad eye plate to the stud using two lag screws. Repeat this step for the other side.



Values found in table below are the distance between the bottom of your wall mounted shelf and the ceiling. (C).

Note: Pad eye plate can be positioned up to 6 inches side to side or front to back.

		Distance from Original Ceiling Location (Inches) (A)						
		0	1	2	3	4	5	6
Hole Position (B)	18	18	17 7/8	17 3/4	17 1/2	17 1/4	17	16 5/8
	19	19	18 7/8	18 3/4	18 5/8	18 3/8	18	17 5/8
	20	20	19 7/8	19 3/4	19 5/8	19 3/8	19 1/8	18 3/4
	21	21	20 7/8	20 3/4	20 5/8	20 3/8	20 1/8	19 3/4
	22	22	21 7/8	21 3/4	21 5/8	21 3/8	21 1/8	20 7/8
	23	23	22 7/8	22 3/4	22 5/8	22 1/2	22 1/4	21 7/8
	24	24	23 7/8	23 3/4	23 5/8	23 1/2	23 1/4	23
	25	25	24 7/8	24 7/8	24 5/8	24 1/2	24 1/4	24
	26	26	25 7/8	25 7/8	25 3/4	25 1/2	25 1/4	25
	27	27	26 7/8	26 7/8	26 3/4	26 1/2	26 3/8	26 1/8
	28	28	27 7/8	27 7/8	27 3/4	27 1/2	27 3/8	27 1/8
	29	29	28 7/8	28 7/8	28 3/4	28 5/8	28 3/8	28 1/8
30	30	29 7/8	29 7/8	29 3/4	29 5/8	29 3/8	29 1/8	

Note: Refer to [page 32](#) to install two shelves horizontally together.

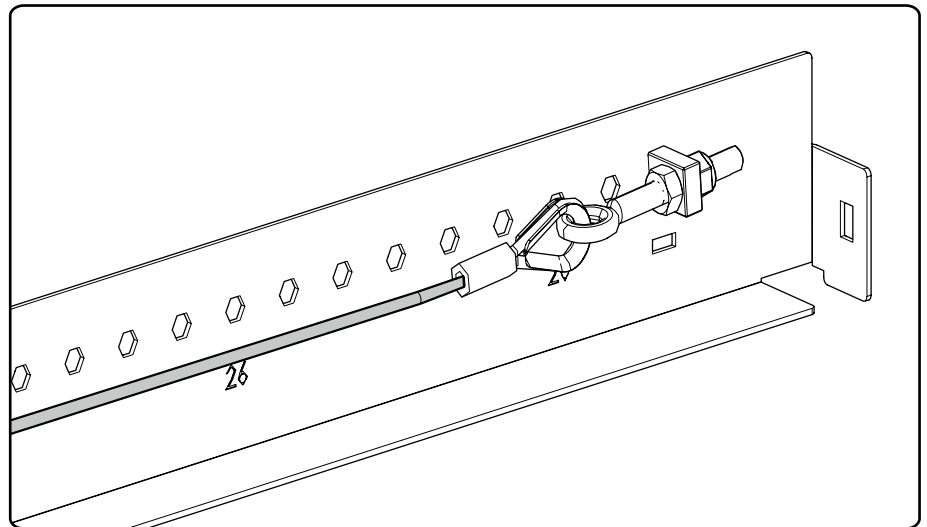
Perimeter Beam & Cable Assembly

- 11** Attach the eyelet to side beam using 5/16" bolt, nut and fender washer.

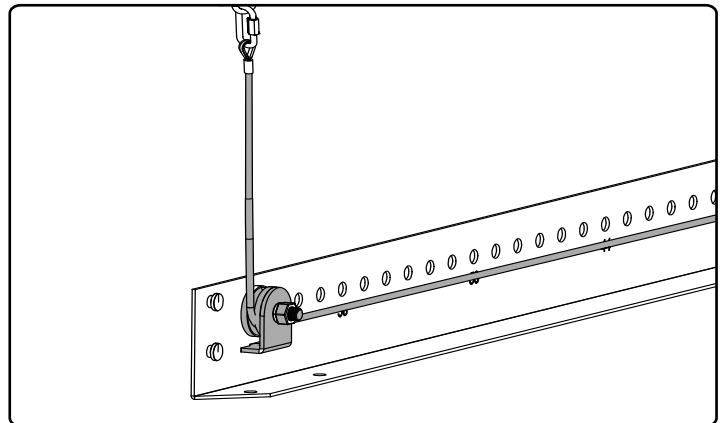
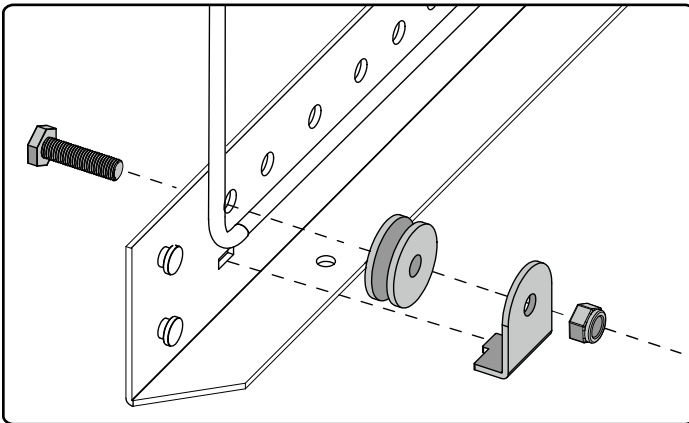
Note:

Attach the Cable Eyelet to the respective hole according to the distance measured from the ceiling to the bottom of the Wall Mounted Shelf.

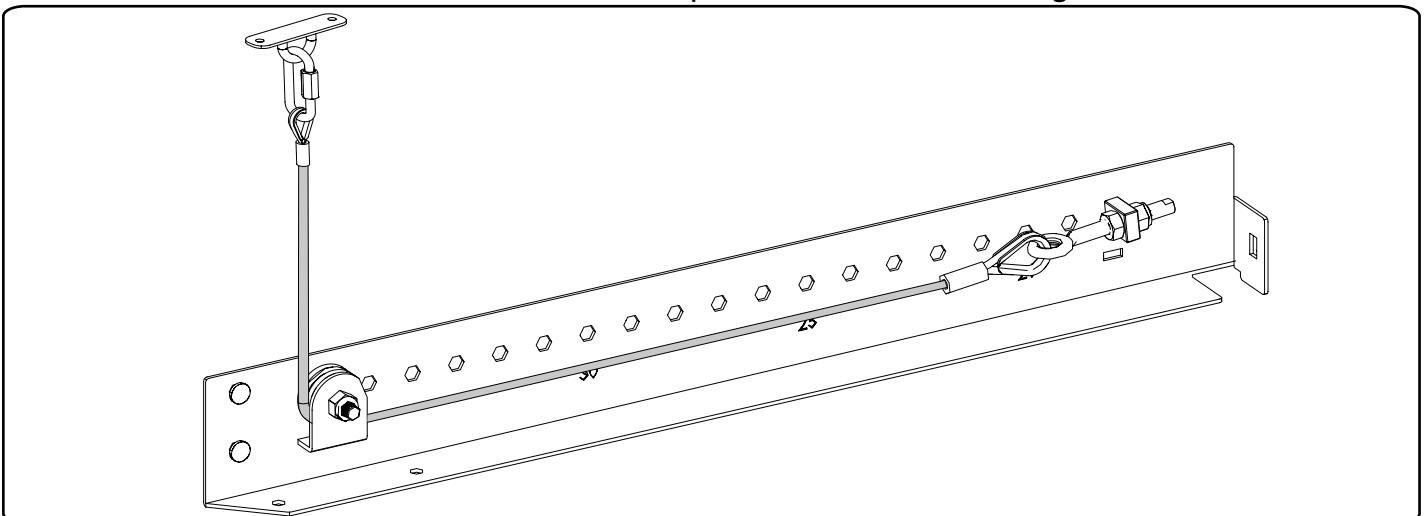
Example shown 18" from ceiling = 18th hole.



- 12** Insert a 5/16" hex bolt into the front / first hole of the side perimeter beam. Slide pulley, pulley cable cap onto the hex bolt and wrap the cable assembly around the pulley. Secure the assembly with a 5/16" lock nut. Align tab on pulley cable cap with cutout in side frame.

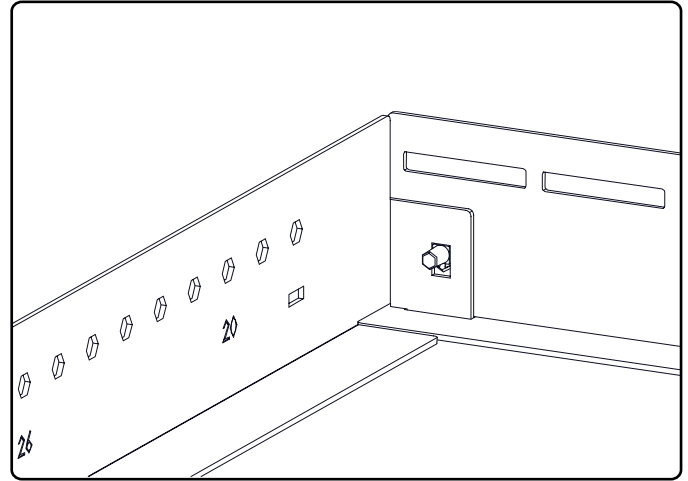
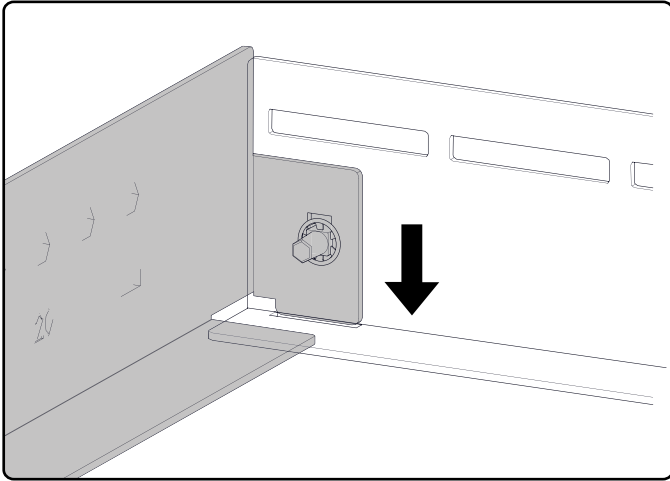


- 13** Determine the hole the cable will be installed at. The holes determine the height of the install from the bottom of the back beams. Example shown 18" from ceiling = 18th hole.

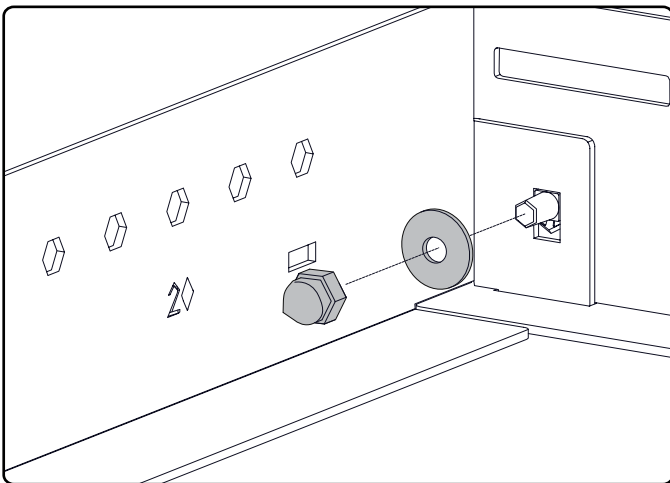


Perimeter Beam & Cable Assembly

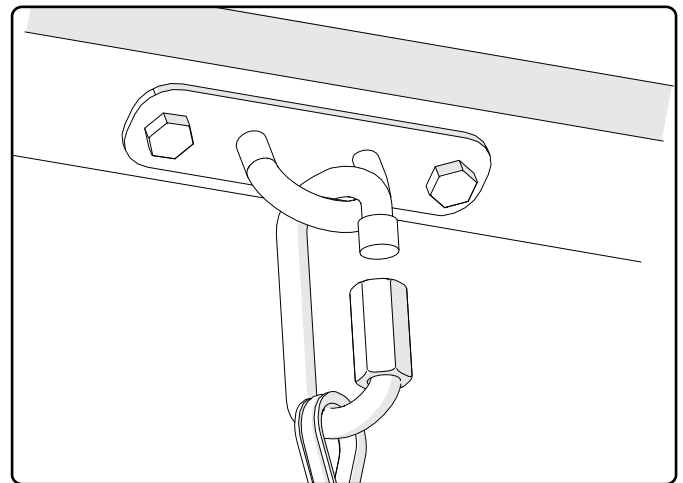
- 14** Insert the side beam onto the installed back beams. Ensure the side beam is inserted into the cut out found at the back beam.



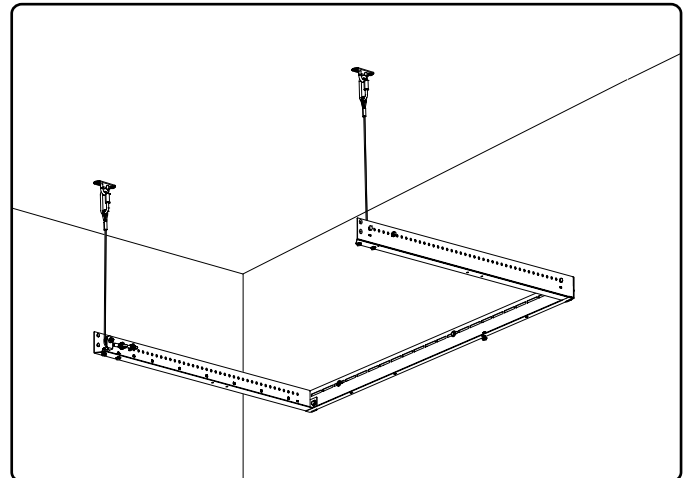
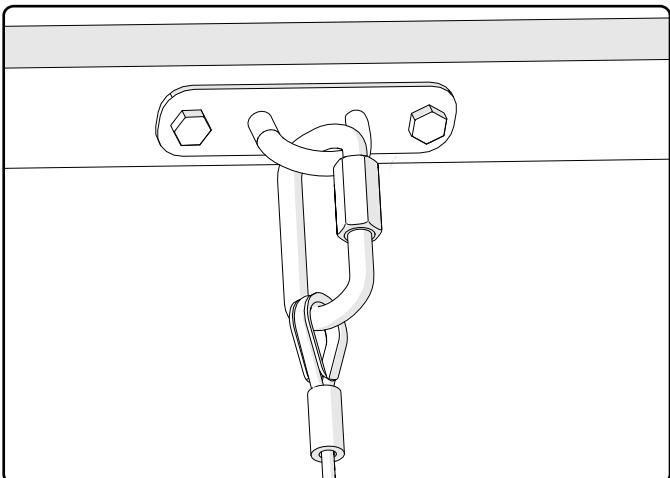
- 15** Secure the side beam using X1 washer and X1 acorn nut.



- 16** Hook the cable to the pad eye plate.

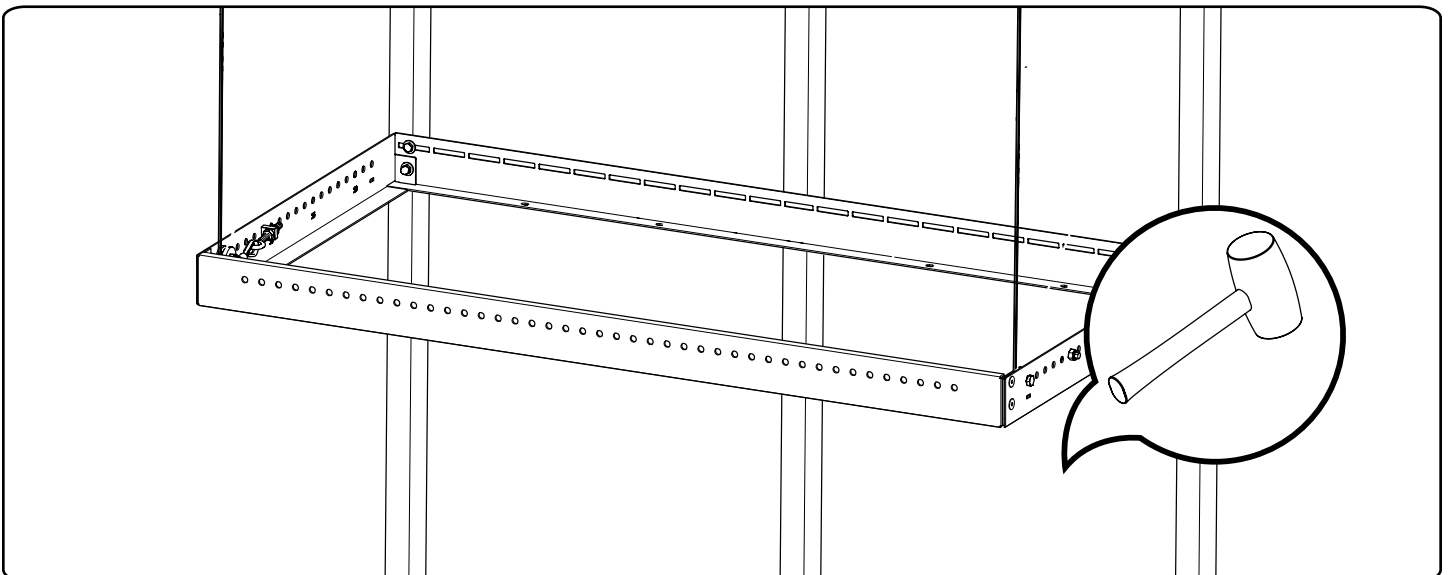
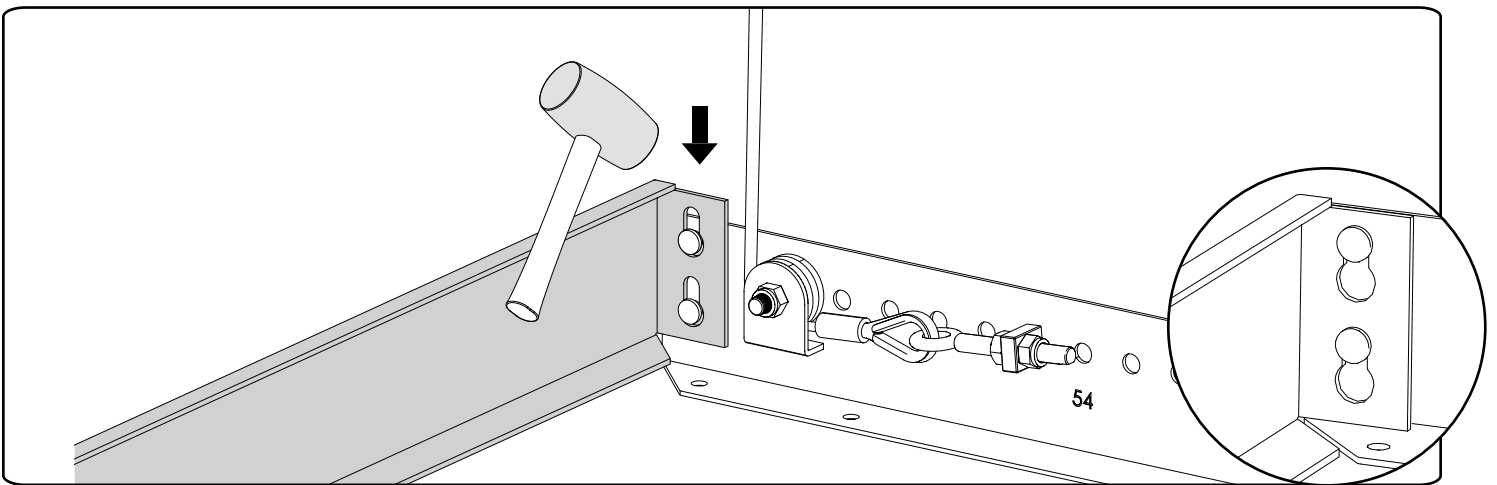
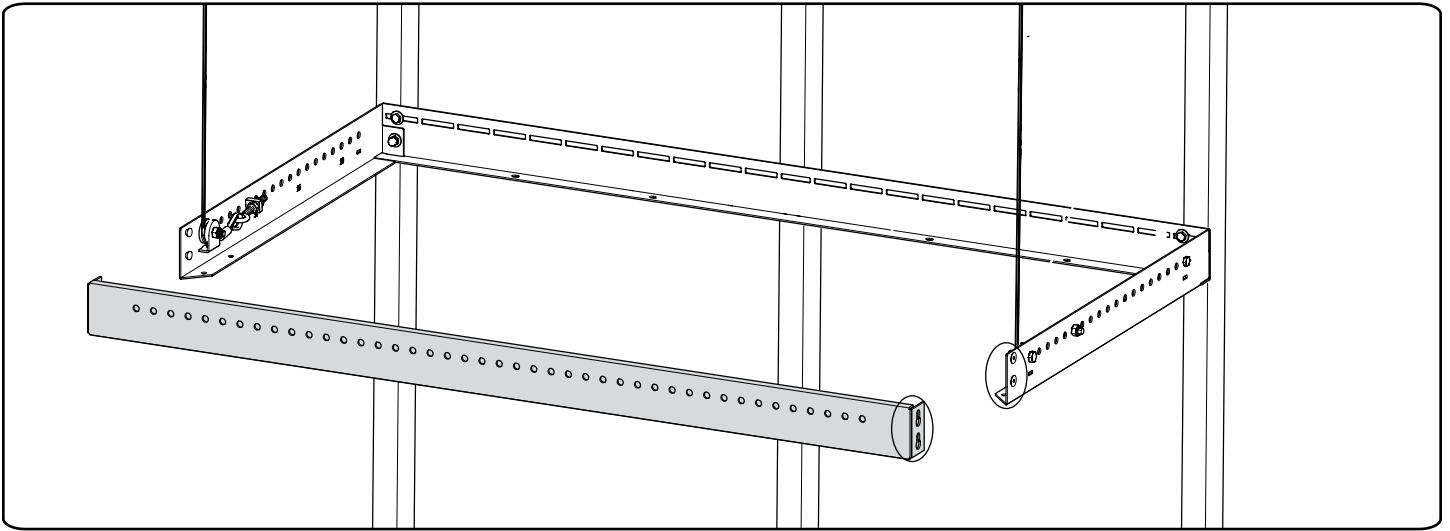


- 17** Repeat steps 14-16 for the other side.



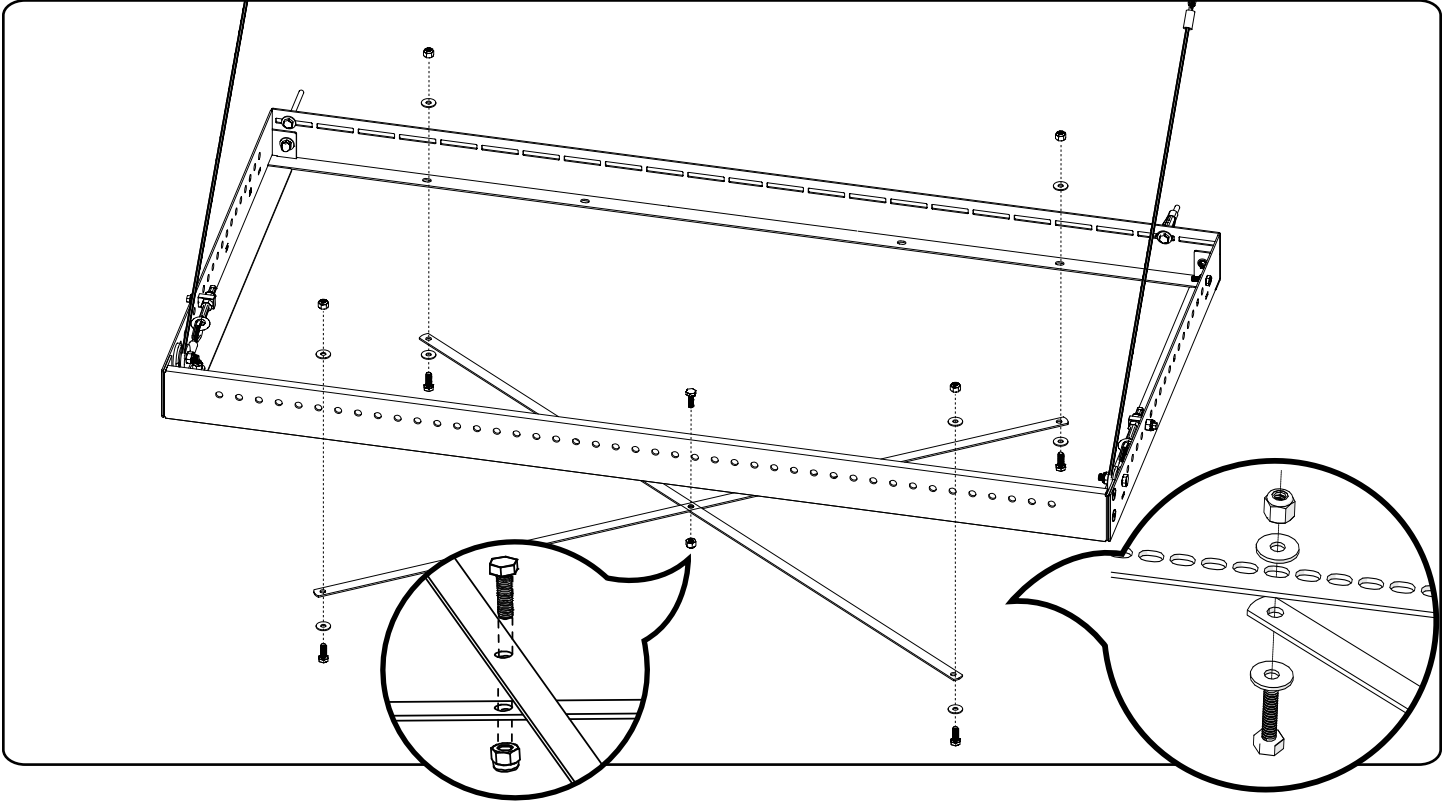
Front Beam Assembly

- 18** Guide the mounting holes of the front beam into the shoulder rivets on the side perimeter beam. Use a rubber mallet to seat the rivets with the top of the keyhole slots.



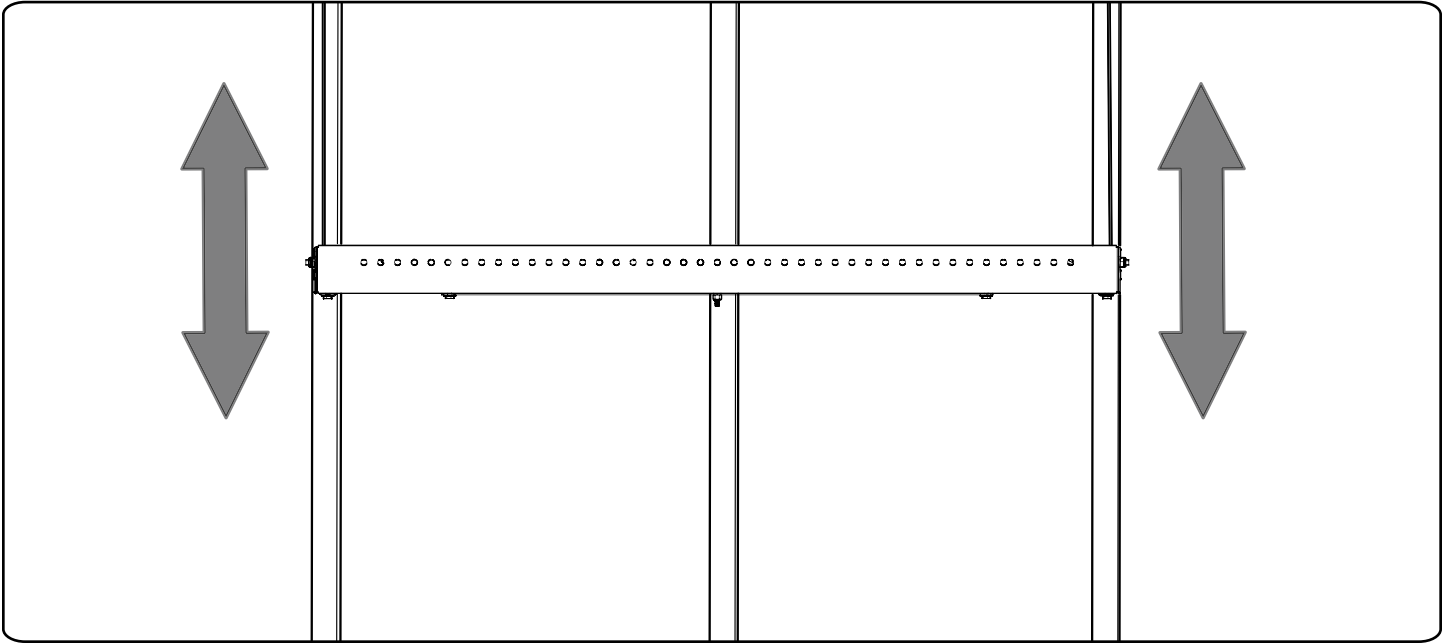
Installing Cross brace

- 19** Assemble the 4ft Cross Supports with one 1/4" hex bolt and 1/4" lock nut.
Attach the assembled 4ft cross supports to the perimeter frame with 4x hex bolts, 8x washers, and 4x lock nuts.

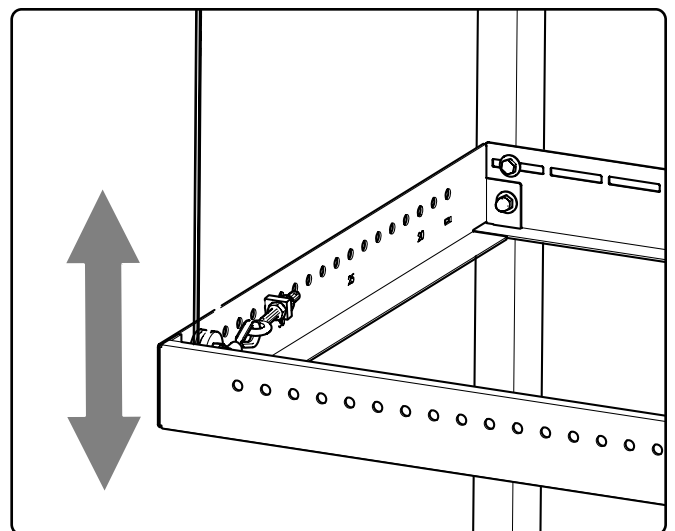
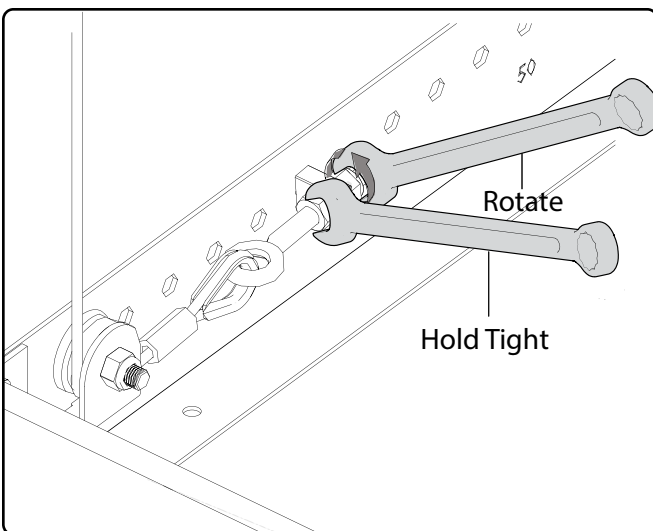


Levelling the Platform

- 20** Measure each side of the bottom Pro Wall Mounted Shelf frame, from the ceiling or the floor. Ensure the Pro Wall Mounted Shelf platform is levelled on each side.



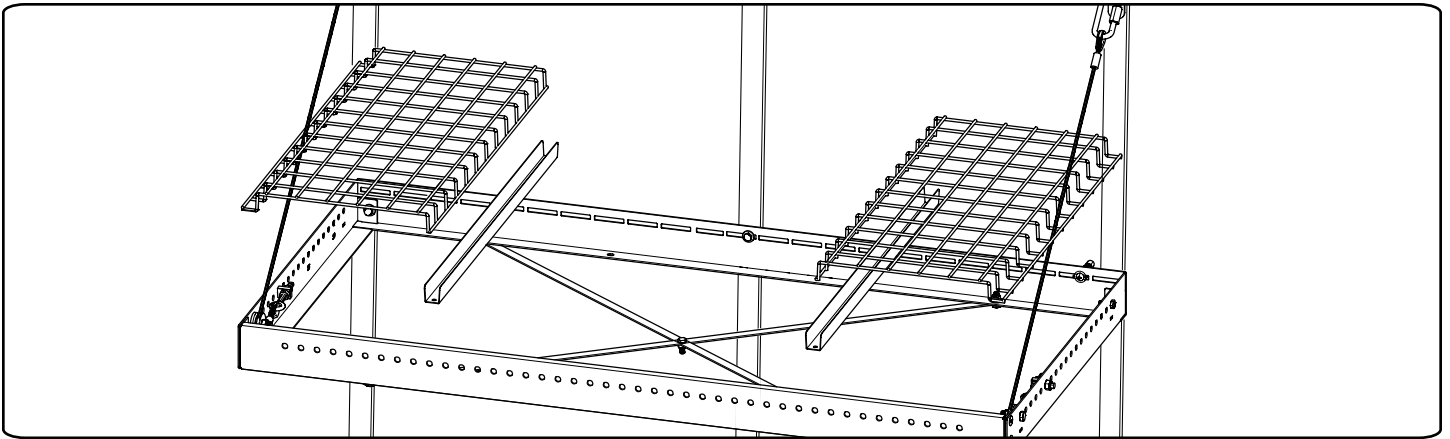
- 21** If the Pro Wall Mounted Shelf needs to be levelled, use a wrench to hold the pulley tight and twist the nut installed in the furthest location. Rotating it anti-clockwise will lift the platform.



Grid Supports & Wire Grids Installation

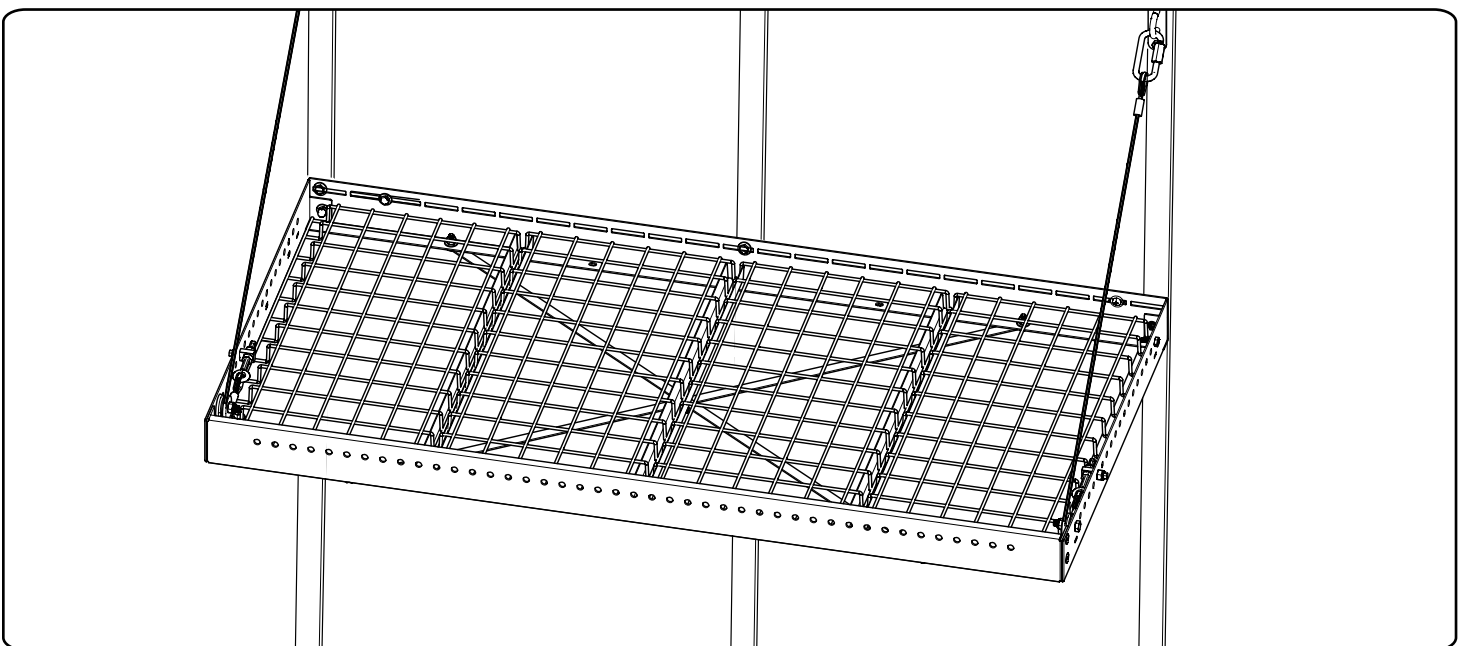
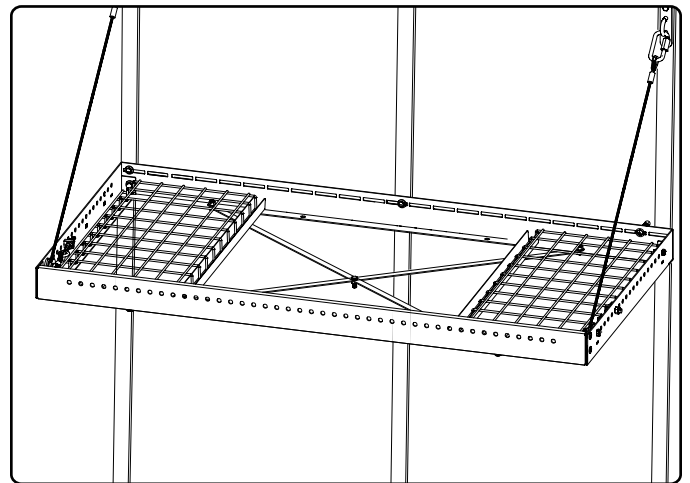
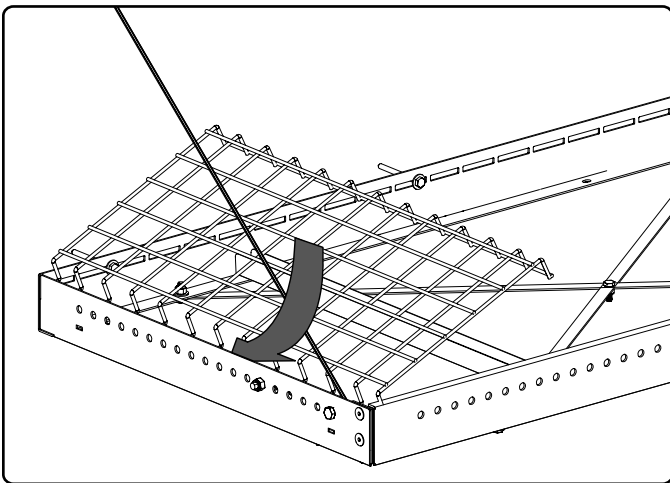
22

Begin at the side ends of the Wall Mounted Shelves and slide the 2ft Finishing Grid Section with bent edges. The bent edges would slide below the installed Pulley & Cables. Place 2ft "U" Shaped Grid Supports under wire grid.



23

Moving inward, place remaining bottom "U" Shaped Grid Supports and Grid Sections onto the Wall Shelf.



Fastening to Engineered Joists

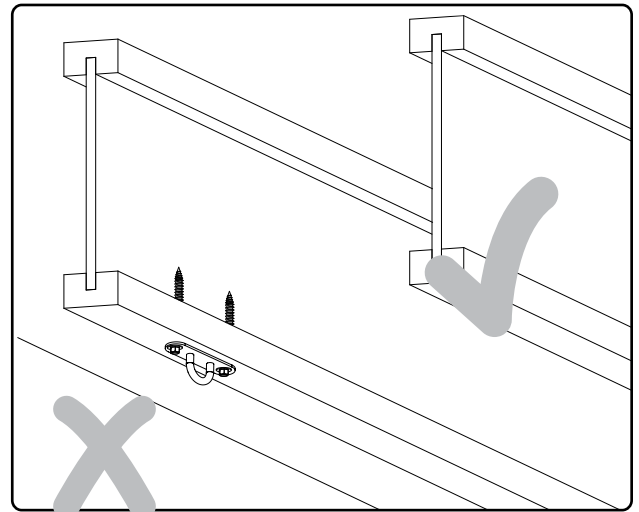
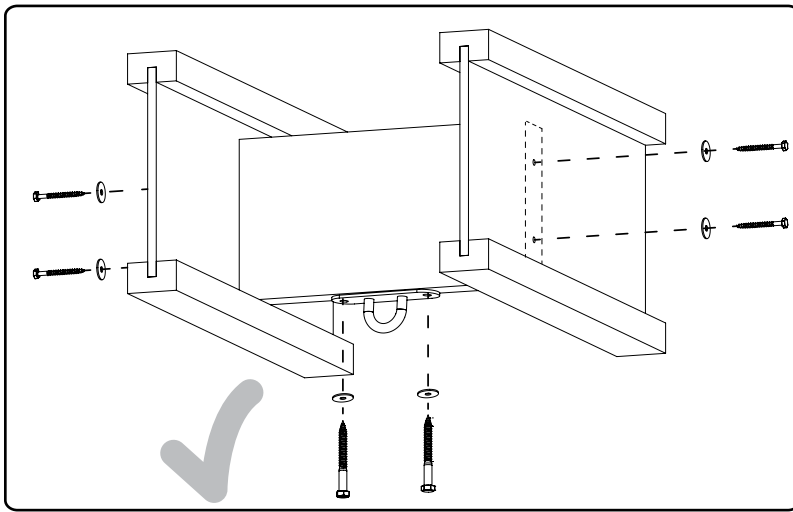


Warning:

Engineered ceiling joists are not suitable for directly fastening the ceiling mounting angles to.

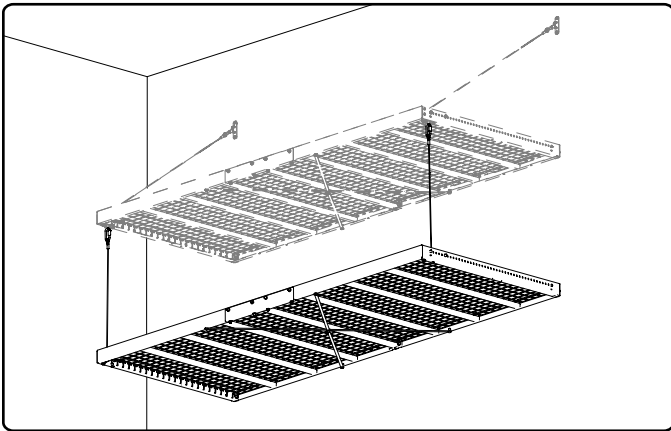
If the construction of your ceiling is using engineered ceiling joists you must install an additional ceiling joist (minimum 2" x 8") perpendicular between two of the engineered ceiling joists.

Install two additional wooden ceiling joists in the required locations for your ceiling mounting angles depending on the Wall Mounted Shelf size and orientation (ceiling joist and hardware not included)

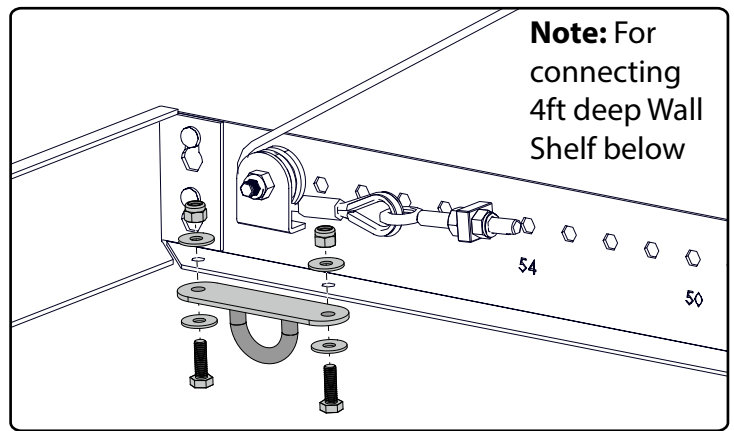


Connecting Wall Mounted Shelves Vertically

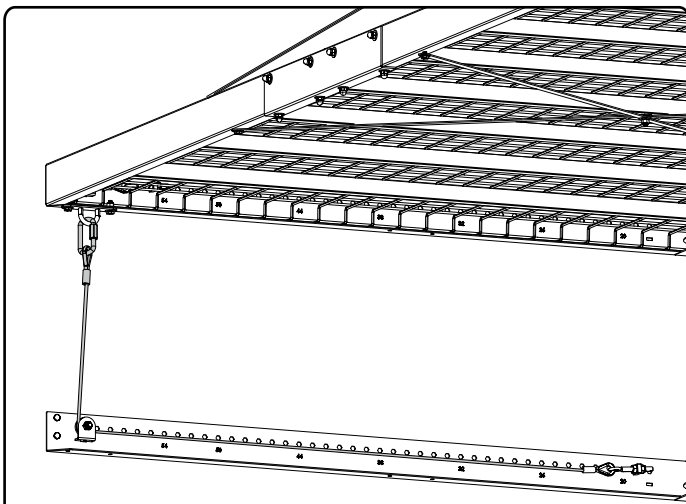
1 Ensure there is enough clearance space to install two Pro Wall Mounted shelves together vertically by calculating the heights required as found on page 10. Install upper wall shelf according to Option A (wall mounted) or Option B (Ceiling mounted). Do not install the wire grids or wire grid supports yet.



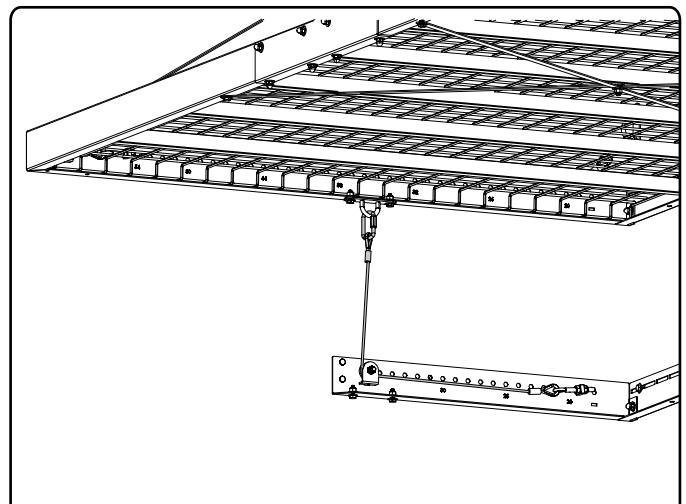
2 Once you have installed single Pro Wall Mounted shelves, install the pad eye plates on your upper wall shelf according to diagram below. You may need to remove the end grids to access the mounting holes. Using two 1/4" hex bolts, four 1/4" washers and two 1/4" lock nuts, bolt a pad eye plate to the mounting holes furthest away from the wall. Repeat to the opposite side.



3 Continue assembly of the lower Wall Mounted Shelf by following the steps of option B.



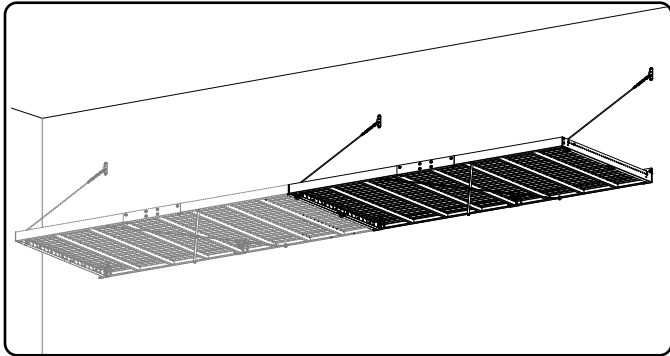
Note: Diagram shows installing 4x8ft Wall mounted Shelves to 4ft deep wall shelf.
Maximum Height - 54 inches
Minimum Height - 18 inches



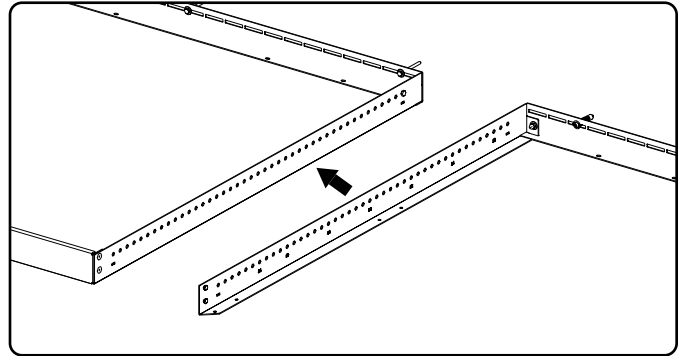
Note: Diagram shows installing 2x8ft deep wall mounted shelf to 4ft deep wall shelf.
Maximum Height - 30 inches
Minimum Height - 18 inches

Connecting Wall Mounted Shelves Horizontally

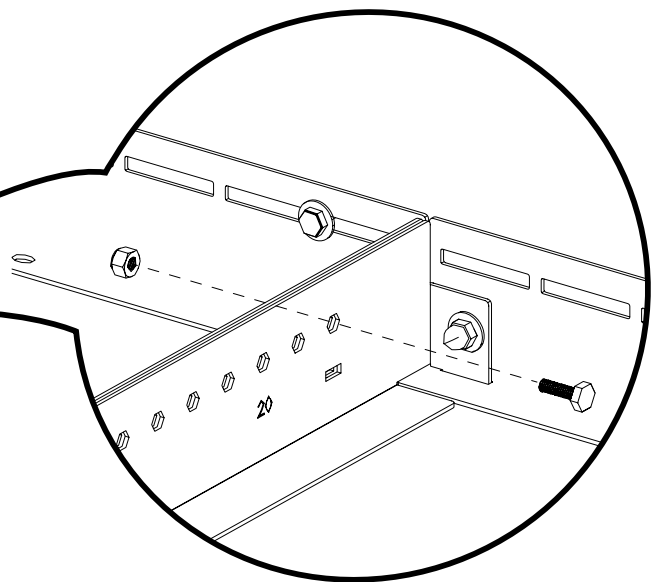
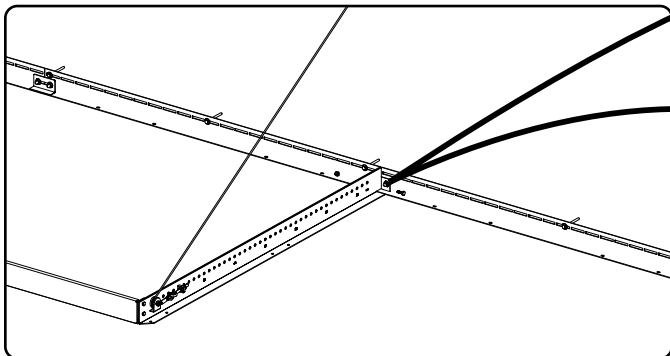
- 1** Ensure there is enough clearance space to install two Pro Wall Mounted shelves together horizontally by calculating the width.



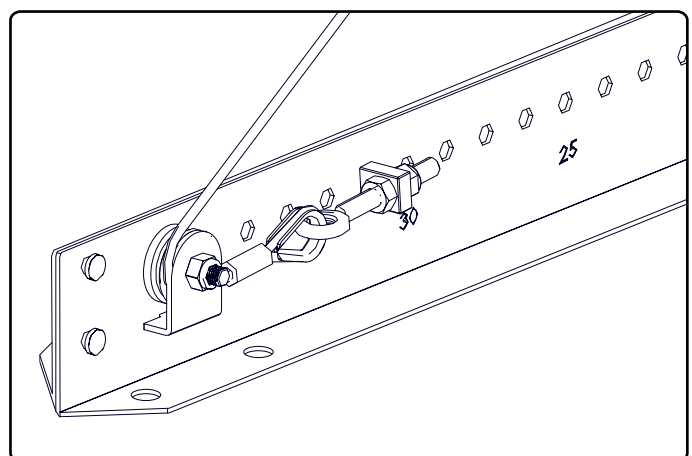
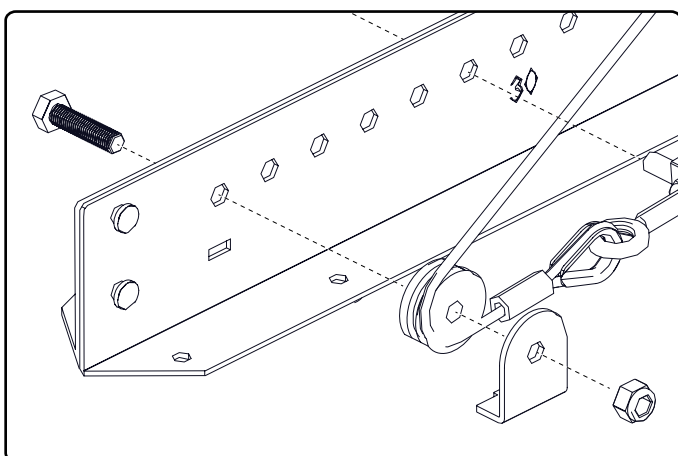
- 2** Follow steps 1 to 10 in Option A (wall mounted) or Option B (Ceiling mounted) to assemble two shelves together horizontally.



- 3** Ensure that two side beams are attached and connected with carriage bolts.



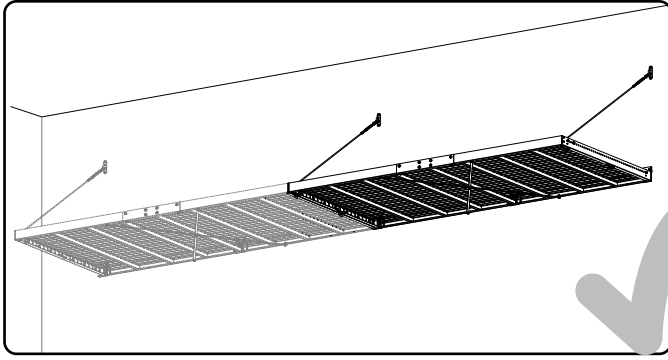
- 4** Wrap the cable assembly around the pulley. Secure the pulley and pulley cable cap into the 36th hole of the side beam with a 5/16" hex bolt and nut. Secure the end of the cable to the 31th hole with a 5/16" lock nut.

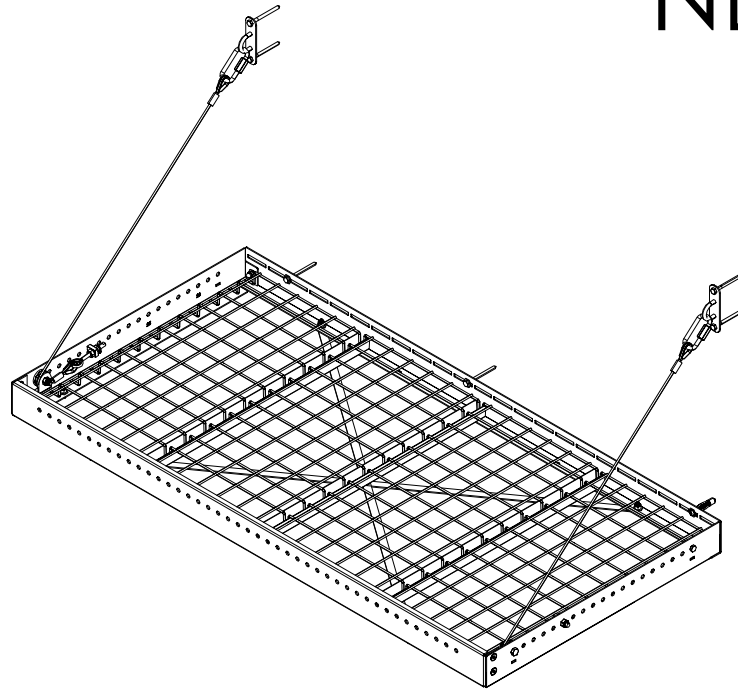


Connecting Wall Mounted Shelves Horizontally

Note: Only one cable assembly is required for each pair of side perimeter beams.

- 5** Follow steps 18 to 23 in Option A (wall mounted) or Option B (Ceiling mounted) to complete the assembly.





Étagère murale en acier Pro Series 2.0 2x4 pi.

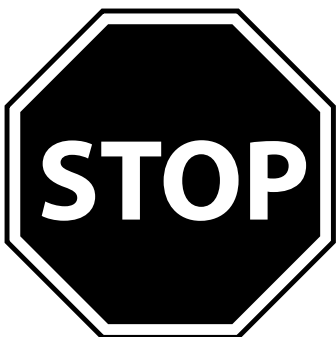


Avertissement : Danger de charge excessive !

Pour éviter les blessures au dos et autres, déplacez, assemblez et installez l'étagère murale avec l'aide de deux personnes ou plus. Ne laissez pas d'enfants sans surveillance près de l'étagère murale. Risque élevé de chute d'objets si l'étagère murale est installée de manière incorrecte : elle doit être installée de manière sécurisée pour éviter toute blessure grave. Pour obtenir de l'aide, composez le 1 877-306-8930 ; envoyez un courriel à info@newageproducts.com.

ATTENTION :

Votre étagère murale est-elle endommagée ?
Vous avez besoin d'assistance ou de pièces de rechange ?
Pour un service plus rapide, contactez NewAge Products au 1-877-306-8930 ; ou support@newageproducts.com
Ne retournez pas ce produit au détaillant.



INDEX

[Avertissements de sécurité - 3](#)

[Garantie - 4](#)

[Outils requis -5](#)

[Quantités incluses - 6](#)

[Pièces de rechange - 7](#)

[Capacité de charge - 8](#)

[Options d'installation de l'étagère murale - 9](#)

[Configuration du mur - Option A - 10](#)

[Installation de la plaque à œillet - 13](#)

[Assemblage de la poutre périmétrique et du câble - 14](#)

[Assemblage de la poutre avant - 16](#)

[Installation de l'entretoise - 17](#)

[Mise à niveau de la plate-forme - 18](#)

[Installation des supports de grilles et des grilles métalliques - 19](#)

[Configuration du plafond - Option B - 20](#)

[Assemblage de la poutre périmétrique et du câble - 25](#)

[Assemblage de la poutre avant - 27](#)

[Installation de l'entretoise - 28](#)

[Mise à niveau de la plate-forme - 29](#)

[Installation des supports de grilles et des grilles métalliques - 30](#)

[Raccordement vertical des étagères murales - 31](#)

[Raccordement horizontal des étagères murales - 32](#)

AVERTISSEMENT DE SECURITE

LISEZ CECI TOUT D'ABORD

1. Toutes les unités d'armoires murales disposent d'une capacité nominale de charge de 600 livres, distribuée de manière égale, utilisant un tire-fond de 3 po ancré dans des montants en bois massif ou des ancrés à béton de 3 po dans des supports en béton solides capables de supporter une telle charge.
2. Chaque crochet utilitaire de l'étagère murale peut supporter un maximum de 50 livres. Le poids de l'entreposage des crochets utilitaires doit être inclus dans la charge maximale de 600 livres pour le casier supérieur.
3. Ne chargez pas plus de 600 livres sur une étagère murale. Il est possible que les charges vivantes (personnes, animaux de compagnie, etc.) soient moins lourdes que la capacité nominale, mais elles exerceront tout de même une force supérieure à celle qui est supportée. Par conséquent, il n'est pas approprié de se tenir debout sur votre étagère murale, ni d'y sauter ou de s'y suspendre.
4. Les étagères murales doivent être installées sur des solives ou des supports muraux ou aériens structurellement sains. NewAge Products Inc. ne donne aucune garantie concernant la capacité ou la solidité de la structure à laquelle les unités sont assemblées.
5. NewAge Products Inc. ne peut être tenu responsable de la rupture, ou de dommages ou blessures entraînés par la rupture de la structure.
6. Pour s'assurer que les supports sont convenables, il faut toujours procéder à une inspection du plafond et du mur.
7. L'étagère murale est conçue pour être installée dans des solives ou des montants en bois et sur du béton solide. Ne tentez pas de réaliser la fixation sur des poutres en acier.
8. Assurez-vous que l'ensemble du poids est distribué de façon uniforme sur l'étagère. Placez les objets plus lourds proches du bord du bâti et des supports latéraux, et les objets plus légers au centre.
9. Ne pas sauter sur votre étagère murale ou y grimper.
10. N'appuyez pas d'échelle contre l'étagère murale.
11. Inspectez régulièrement le système pour vous assurer que tous les composants sont correctement fixés.
12. Il est de la responsabilité du client de s'assurer que la structure du mur et du plafond est adaptée à l'étagère murale Pro.
13. Veuillez lire le manuel en entier avant de commencer l'installation du produit.

GARANTIE DU FABRICANT DE LA SÉRIE PRO DE NEWAGE PRODUCTS INC - ÉTAGÈRES MURALES

UNE PREUVE D'ACHAT EST REQUISE POUR OBTENIR UN SERVICE SOUS GARANTIE.

Veillez avoir les renseignements suivants lorsque vous appelez notre équipe du service à la clientèle :

- Le nom, l'adresse et le numéro de téléphone
- Le nom du produit/numéro d'UGS
- Une description claire et détaillée du problème
- Une preuve d'achat, y compris un numéro de commande

Enregistrez votre achat de produits NewAge en ligne pour l'assistance aux clients et l'accès à des avantages exclusifs

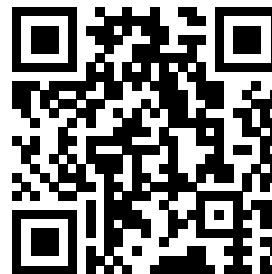
Visitez www.newageproducts.com/register/

Réclamations de garantie

Pour le service de garantie, veuillez contacter NewAge Products au 1-877-306-8930; ou support@newageproducts.com

Veillez consulter tous les détails de la garantie ci-dessous, avant de contacter NewAge Products pour une réclamation.

Scannez le code QR à droite pour accéder à notre page d'assistance ou visitez www.newageproducts.com/contact-us/



Balayez ce code à barres 2D avec la caméra de votre téléphone mobile pour visiter le Centre d'assistance de NewAge Products
www.newageproducts.com/support-hub/

GARANTIE À VIE LIMITÉE

CE QUI EST COUVERT

Lorsque ce produit est installé, utilisé et entretenu conformément aux instructions fournies, NewAge Products Inc. remplacera les pièces ou le produit défectueux si la pièce est défectueuse en raison d'un défaut de matériaux ou de fabrication pendant la durée de la garantie à compter de la date d'achat du produit.

CE QUI N'EST PAS COUVERT

1. Les appels de service pour corriger l'installation de tout produit NewAge ou pour vous montrer comment l'utiliser ou l'installer.
2. Les dommages résultant des produits causés par un accident, une mauvaise utilisation, un abus, un incendie, une inondation, une installation inadéquate, un cas fortuit, une négligence, une modification ou une mauvaise manipulation.
3. Les produits endommagés par une installation incorrecte décrite dans les instructions fournies avec le produit.
4. Les réparations ou le remplacement lorsque votre produit est utilisé pour un usage autre que résidentiel normal, comme dans un milieu commercial, ou manipulé d'une manière incohérente avec les instructions d'installation comprises avec le produit.
5. Rouille de surface résultant des pluies acides ou de produits chimiques dans l'environnement
6. Les pièces de rechange pour des produits NewAge à l'extérieur du Canada et des États-Unis.
7. Une perte en raison d'un vol.
8. Les dommages résultant d'une utilisation contraire et non conforme au manuel d'instructions et aux pratiques opérationnelles de sécurité.
9. Tout coût de main-d'œuvre pendant la période de garantie.

EXCLUSION DE GARANTIES IMPLICITES

LES GARANTIES IMPLICITES, Y COMPRIS, DANS LA MESURE OÙ CELA EST APPLICABLE, LES GARANTIES DE QUALITÉ MARCHANDE OU DE CONFORMITÉ À UN USAGE PARTICULIER, SONT EXCLUES DANS LA LIMITE OÙ LA LOI LE PERMET. TOUTE GARANTIE IMPLICITE QUI POURRAIT ÊTRE IMPOSÉE PAR LA LOI DOIT SE LIMITER À UN AN, OU À LA PÉRIODE LA PLUS COURTE PERMISE PAR LA LOI. CETTE GARANTIE SE LIMITE À L'ACHETEUR D'ORIGINE. Certains États ainsi que certaines provinces ne permettent pas les limitations sur la durée d'une garantie implicite de qualité marchande ou de conformité, il est donc possible que les limitations ci-dessus ne s'appliquent pas à vous. Cette garantie vous donne des droits légaux particuliers et vous pourriez également disposer d'autres droits variant selon l'État ou la province.

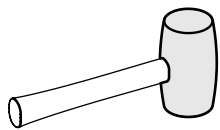
LIMITATION DES RECOURS ; EXCLUSION DES DOMMAGES ACCESSOIRES ET INDIRECTS

EN VERTU DE CETTE GARANTIE LIMITÉE, VOTRE SEUL ET UNIQUE RECOURS DOIT ÊTRE LA RÉPARATION OU LE REMPLACEMENT DU PRODUIT, À NOTRE DISCRÉTION, COMME INDIQUÉ AUX PRÉSENTES. NEWAGE NE DOIT PAS ÊTRE TENU RESPONSABLE DES DOMMAGES ACCESSOIRES ET INDIRECTS. Certains États ainsi que certaines provinces ne permettent pas l'exclusion ou la limitation des dommages accessoires ou indirects, il est par conséquent possible que ces limitations et exclusions ne s'appliquent pas à vous. Cette garantie vous donne des droits légaux particuliers et vous pourriez également disposer d'autres droits variant selon l'État ou la province.

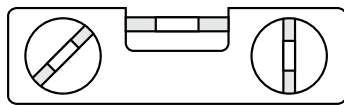
Déballage

- Commencez par placer l'emballage sur une surface plane couverte.
- Retirez tout le carton, les matériaux d'emballage et les sachets en plastique transparents
- Mettez au rebut/recyclez tous les matériaux d'emballage.
- Vérifiez l'ensemble du contenu de la boîte et réunissez les outils nécessaires. Voir la liste des "Outils nécessaires" et des "Quantités incluses".

Les outils nécessaires



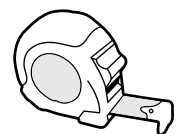
Maillet en caoutchouc



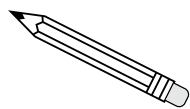
Niveau magnétique



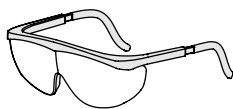
Localisateur de montants



Ruban à mesurer



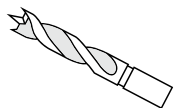
Crayon



Lunettes de protection



7/16" & 1/2"
Douille



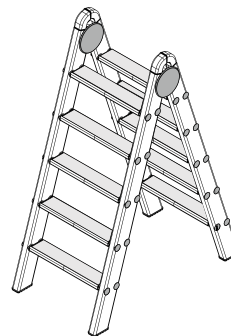
Foret de 3/16"



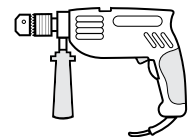
7/16" & 1/2"
Clé à douille



Perceuse-visseuse électrique



Échelle



1 x Marteau perforateur

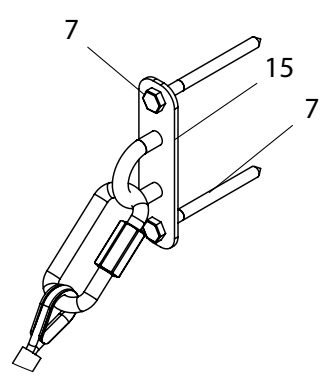
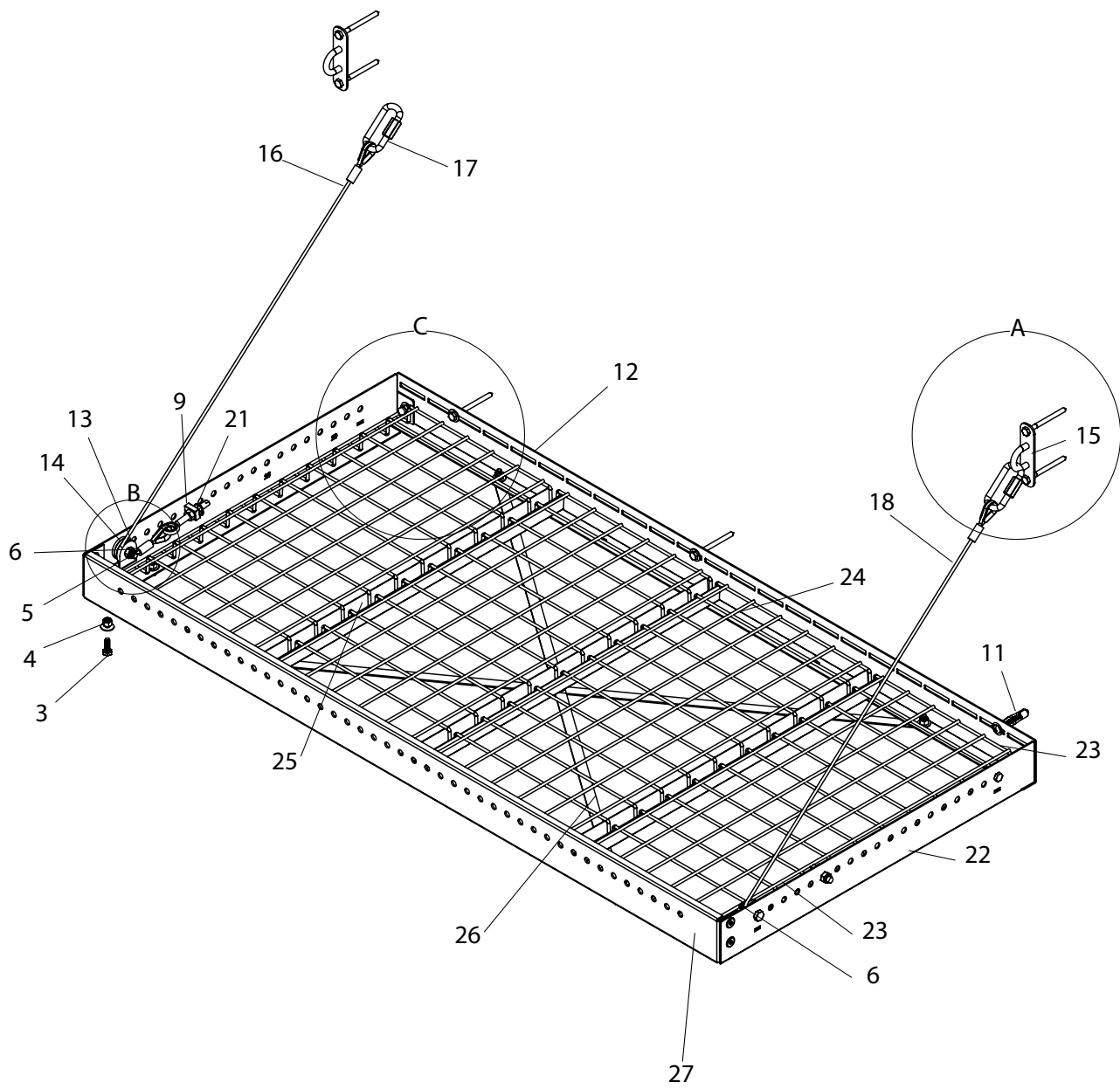


1 x 3/8 po Mèche à béton

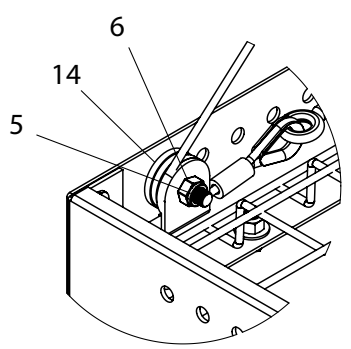
Quantités incluses

N° d'article	N° de Pièce	DESCRIPTION	QTÉ. NOMEN CLATURE	UGS	N° de pièces de rechange
1	H00002A-01	Rondelle plate M6	20	-	-
2	H00003A-01	20 écrous borgnes de 1/4 de po.	2	40340	1
3	H00004A-01	20 boulons hex. 1/4 - 0,75 po.	10	-	-
4	H00005A-01	20 contre-écrous de 0,25 po.	10	-	-
5	H00006A-01	18 boulons hex. 5/16 - 1,25 po.	2	40504	1
6	H00007A-01	18 contre-écrous de 5/16 de po.	4	40505	1
7	H00009A-01	Vis autotaraudeuse à tête hex. M6x75 mm	6	-	-
8	H00767A-01	Boulon de carrosserie	2	40503	1
9	H00769A-01	0.3125-18po Vis de raccord	2	-	-
10	H00815A-01	Anneaux de retenue externes à emboîter 1/4 de po. OD	2	-	-
11	H00010A-01	Ancrage à béton	1	40343	1
12	WSH-01.005A-02-XX	Poutre arrière.	1	-	-
13*	WSH-01.012A-01-XX	Capuchon de câble de poulie	2	40341 - Noir 40342 - Blanc	1 lot
14*	WSH-01.013A-01	Poulie	2		
15	WSH-01.015A-01	Plaques à œillets	2	40482	1 lot
16	WSH-01.019A-01	Tendeur de câble métallique de 2 pieds	2	40356	1 lot
17	WSH-01.014.07A-01	Pince en forme de C	1		
18	WSH-01.019.01A-01	Ensemble de câble métallique de 2 pieds	1		
19	H00770A-01	Écrou hexagonal en acier à résistance moyenne 0.3125-18 po.	1		
20	H00007A-01	18 contre-écrous de 5/16 de po.	1		
21	WSH-02.001A-01-XX	Poutre latérale de 2 pi. - Gauche	1	40359 - Noir 40360 - Blanc	1
22	WSH-02.002A-01-XX	Poutre latérale de 2 pi. - Droite	1		1
23	WSH-02.003A-01-XX	Section de grille de finition de 2 pi.	2	-	-
24	WSH-02.004A-01-XX	Section de grille centrale de 2 pi.	2	-	-
25	WSH-02.005A-01-XX	Supports de grille en forme de 'U' de 2 pi	3	-	-
26	WSH-02.006A-01-XX	Supports transversaux de 2 pi.	2	-	-
27	WSH-03.001A-01-XX	Canal avant en "C" de 4 pi	1	-	-

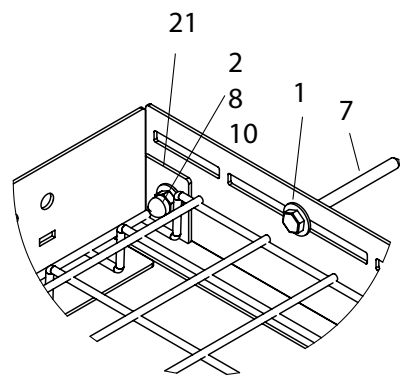
Remarque : Les articles 13 et 14 sont disponibles en tant que pièces de rechange avec le matériel



DETAIL A

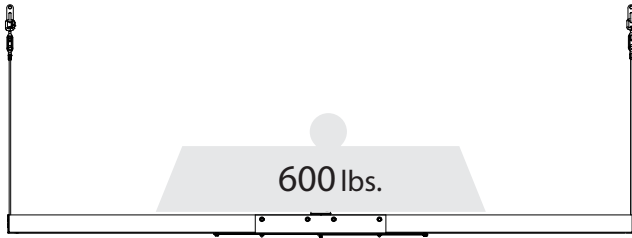


DETAIL B

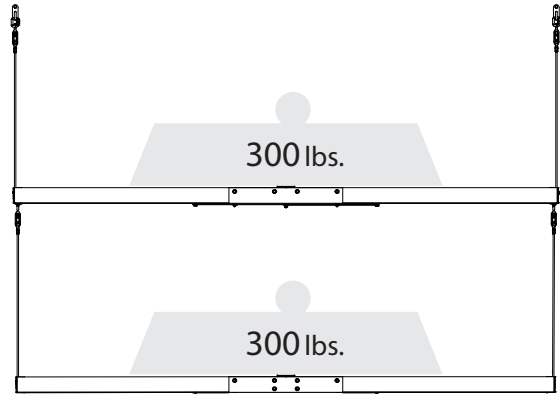


DETAIL C

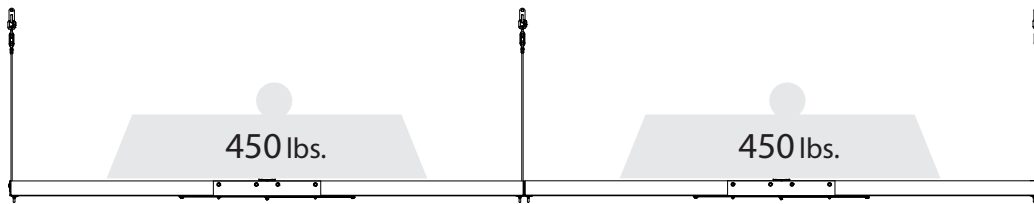
Capacité de charge



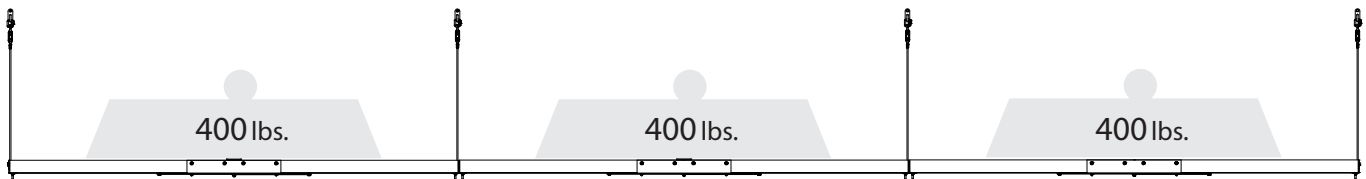
Étagère murale simple



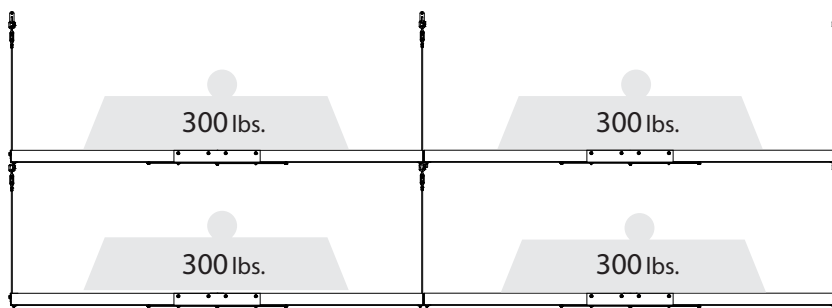
Deux étagères murales reliées entre elles et installées verticalement



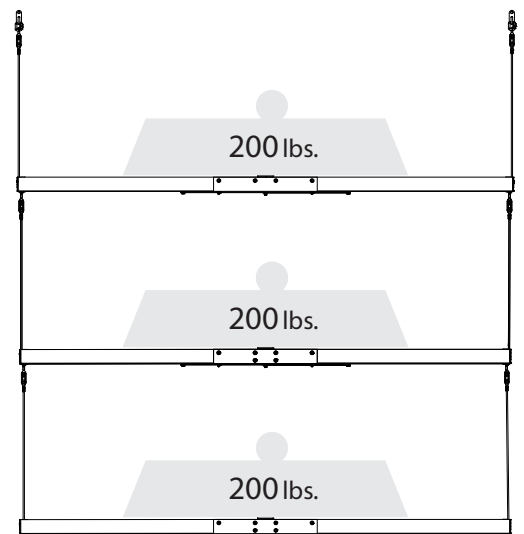
Deux étagères murales reliées entre elles et installées horizontalement



Trois étagères murales reliées entre elles et installées horizontalement



Quatre étagères murales reliées entre eux et installées verticalement et horizontalement



Trois étagères murales reliées entre elles et installées verticalement

Options d'installation de l'étagère murale

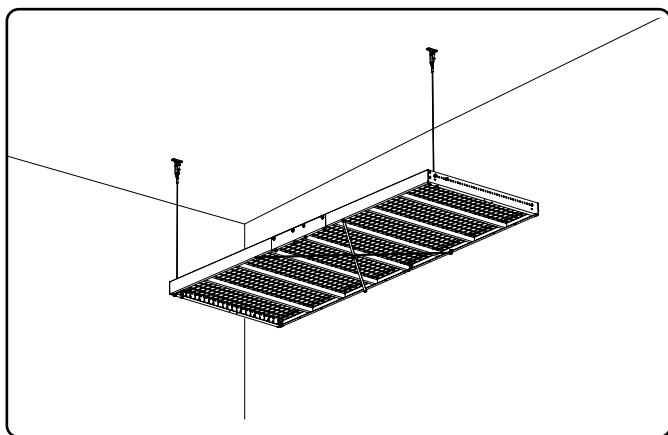
i **Information importante :** Veuillez lire le manuel en entier avant de commencer l'installation.

- Les schémas présentés ne sont que des exemples.
- Ne dépassez pas la capacité de charge totale de l'étagère murale.
- Planifiez la disposition et mesurez l'espace pour le dégagement et l'espacement des montants avant l'installation.
- Assurez-vous que l'étagère murale est solidement installée sur une structure appropriée.

Option B :

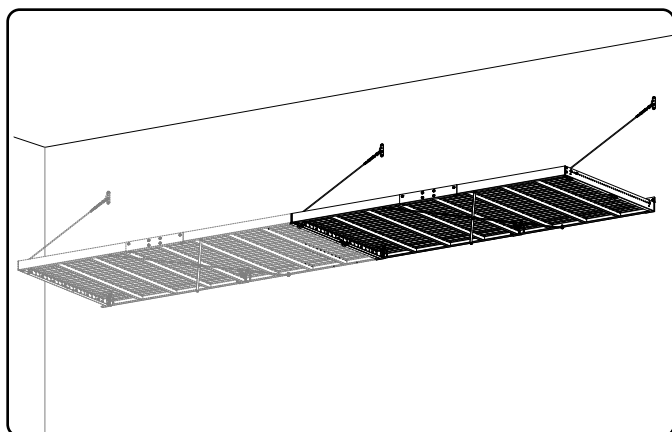
Étagère murale simple fixée au plafond. La distance au plafond est réglable de 18 à 30 pouces.

(Commencez à la [page 20](#), option B)



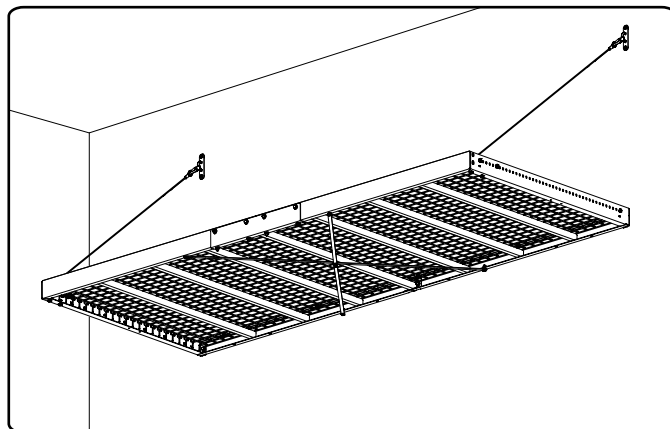
Connexion horizontale des étagères murales.

([Page 32](#))

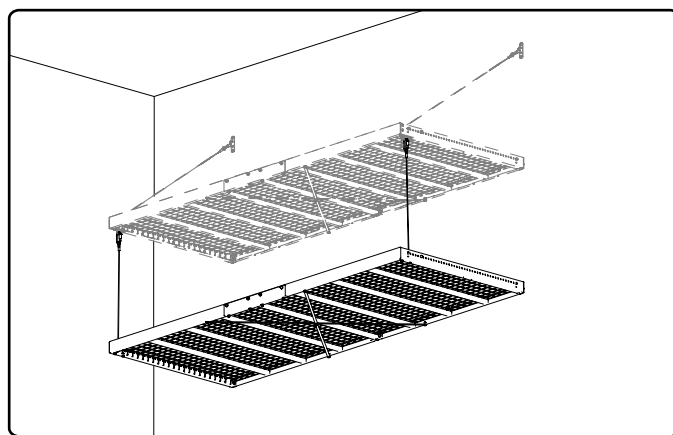


Option A.

Étagère murale simple fixée au mur.
(Commencez à la [page 10](#), Option A)

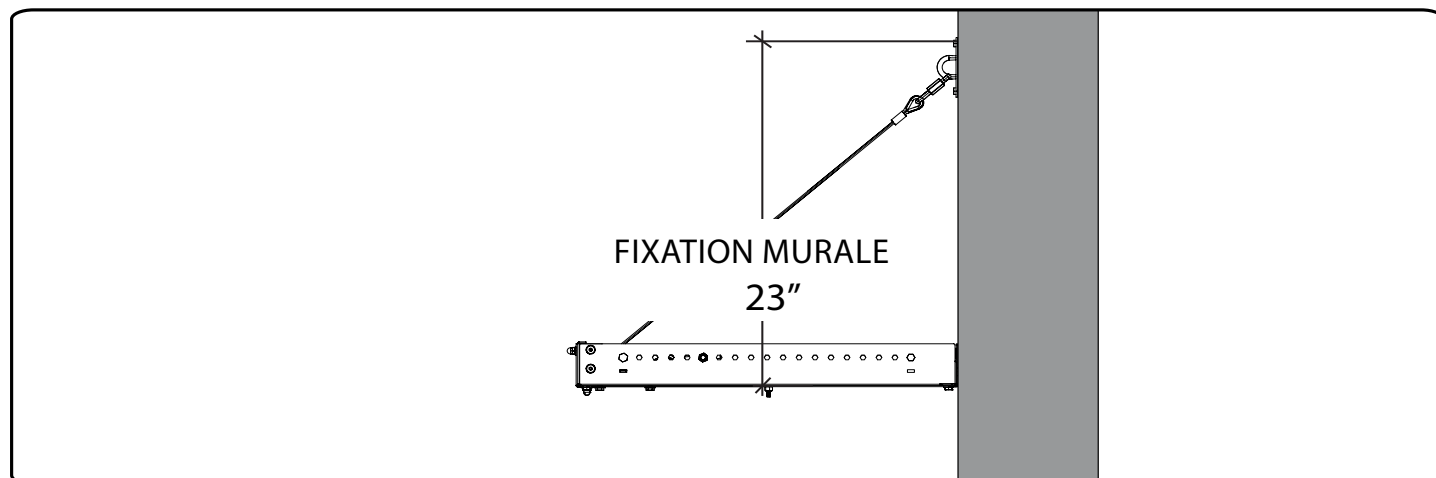


Connexion verticale des étagères murales
([Page 31](#))



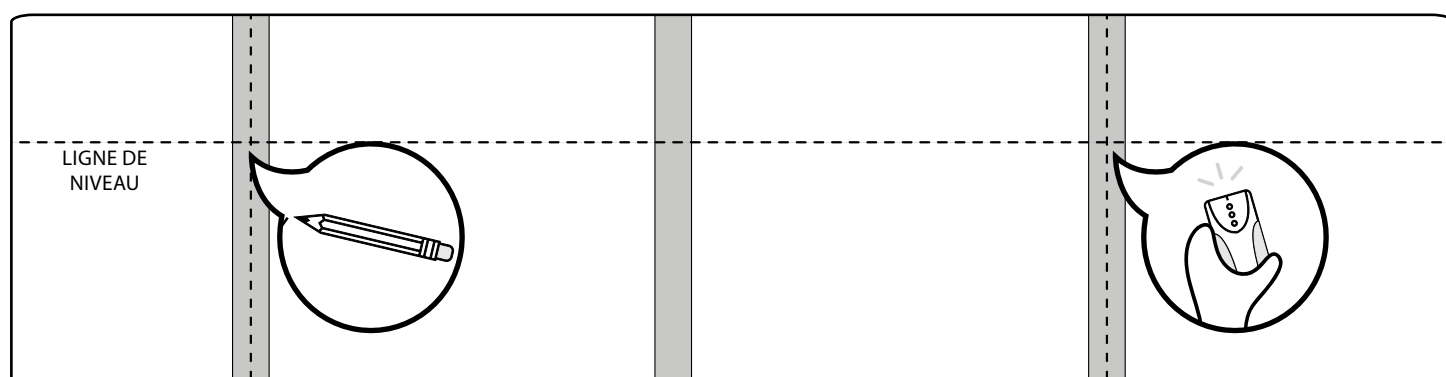
Configuration murale - Option A

- 1 Assurez-vous que vous disposez d'un espace vertical de 23 pouces entre le bas de l'étagère murale Pro et le haut de la plaque à œillets de l'étagère pour l'installation.

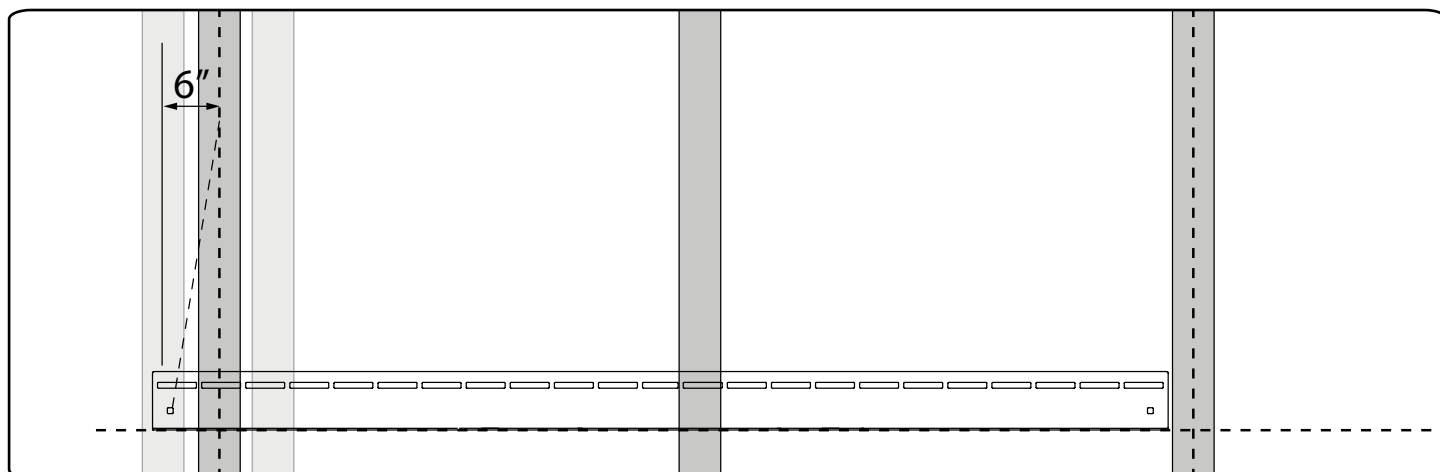


À l'aide d'un niveau, tracez une ligne horizontale à l'emplacement souhaité pour le bas de l'étagère murale. Si le mur comporte des montants apparents, marquez la ligne horizontale sur les montants.

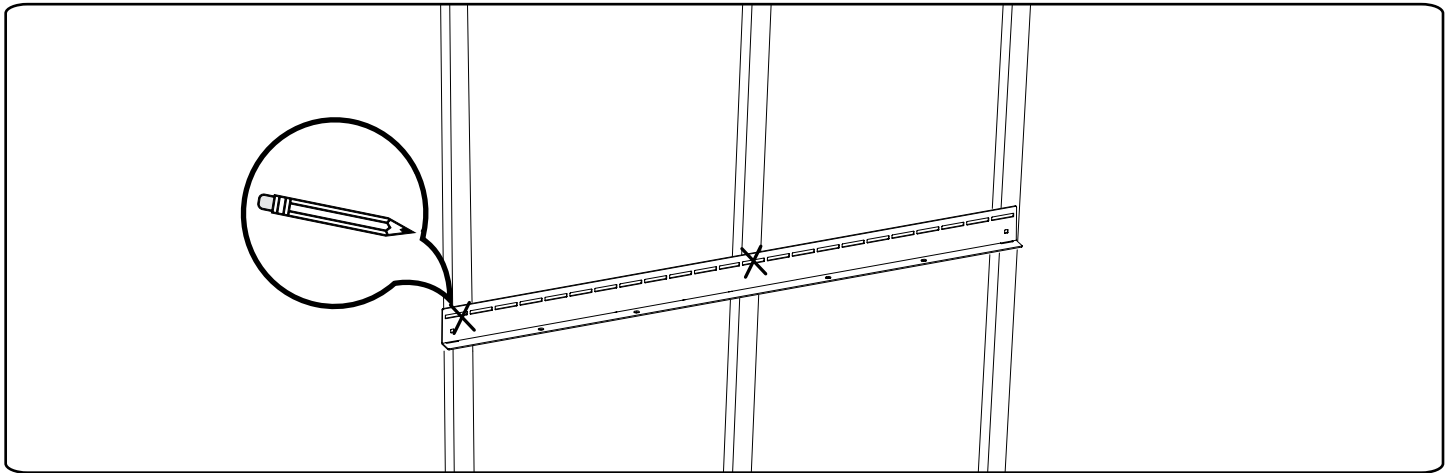
- 2 **Remarque :** Pour faciliter l'installation, utilisez un niveau laser pour marquer la ligne horizontale



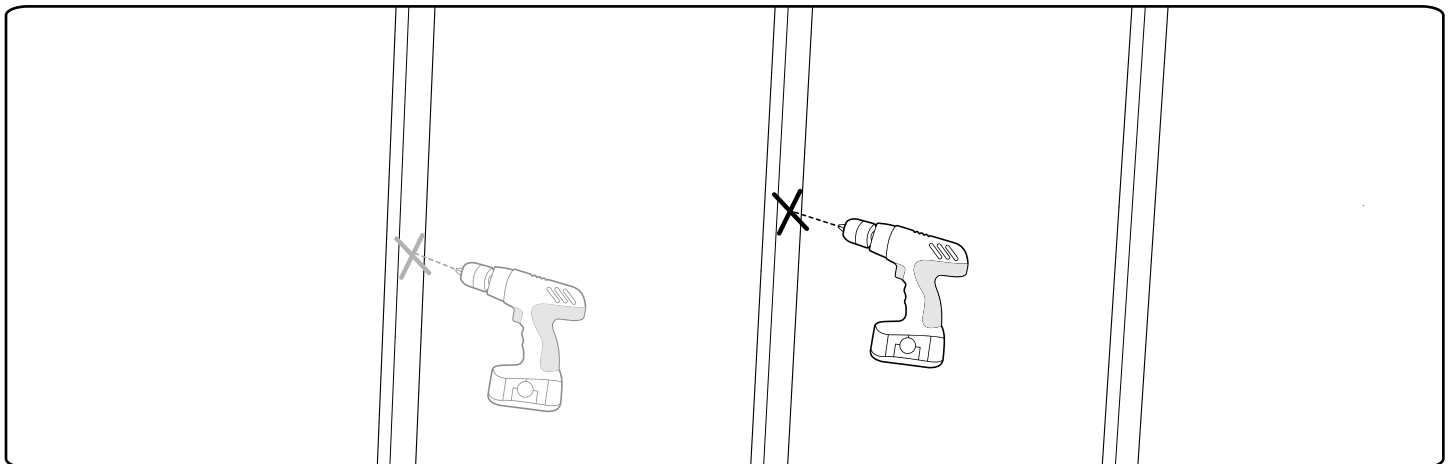
- 3 Placez le sous-ensemble contre le mur. Le centre du montant ne doit pas être éloigné de plus de 6 pouces du cadre de l'étagère murale Pro.



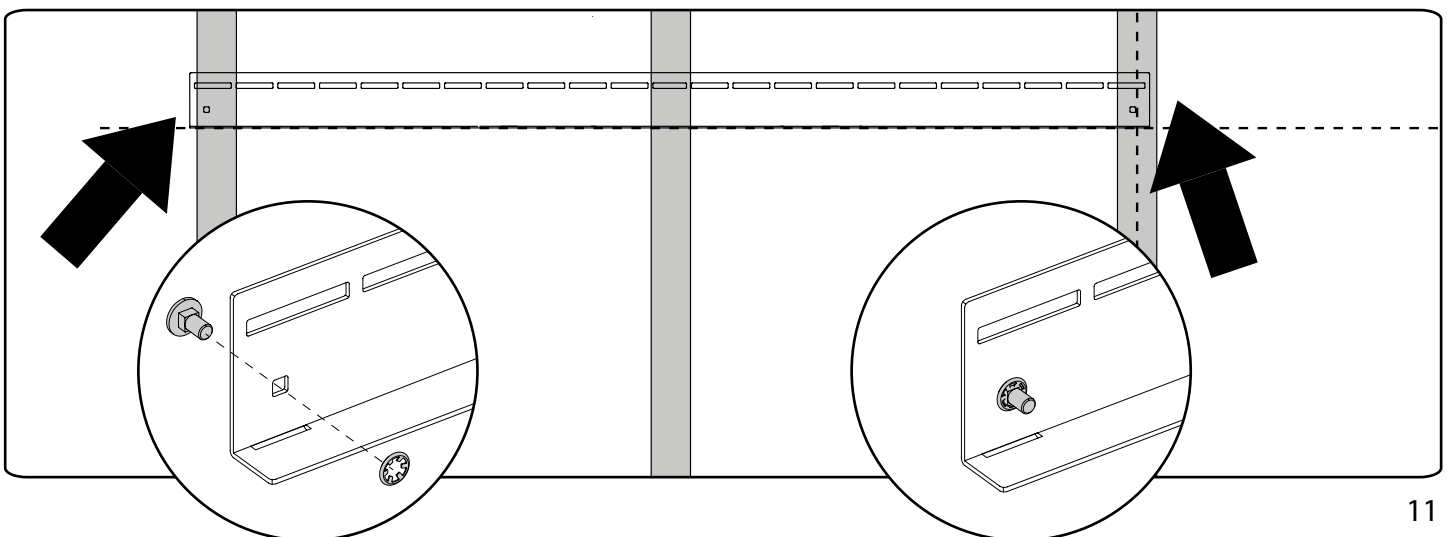
- 4** Marquez l'emplacement des tire-fonds. Chaque poutre arrière doit être munie de deux tire-fonds de fixation aussi espacés que possible. Un total de 4 tire-fonds pour les deux poutres arrière.



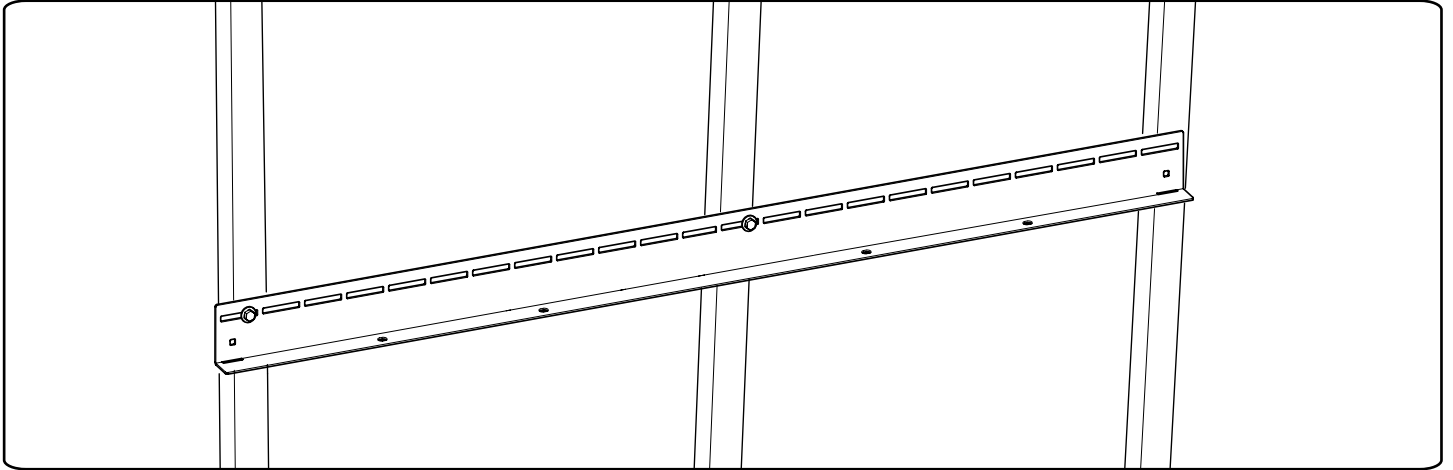
- 5** À l'aide d'une mèche de 3/16 de pouce, créez des trous pilotes aux endroits marqués.
Remarque : Le trou pilote doit s'enfoncer dans 3 pouces pour que le tire-fond soit solidement fixé.



- 6** Insérez un boulon de carrosserie à tête plate et des anneaux de retenue externes à emboîter aux deux extrémités des poutres arrière assemblées.

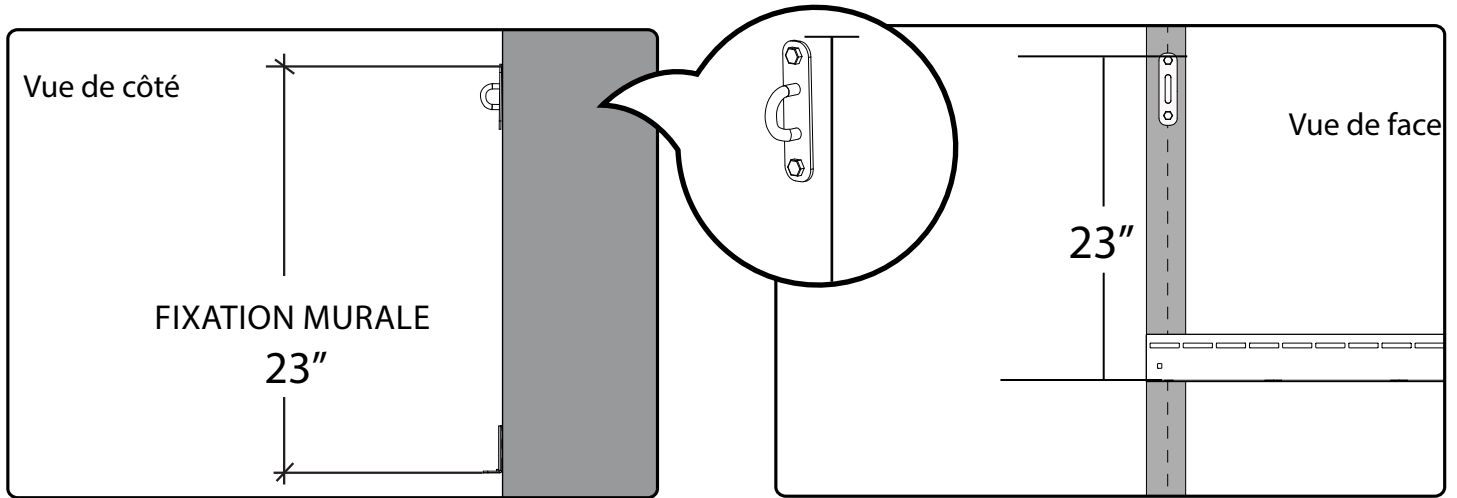


- 7** À l'aide d'une douille de 7/16 de po., installez 4 tire-fonds et 4 rondelles dans les trous pilotes.

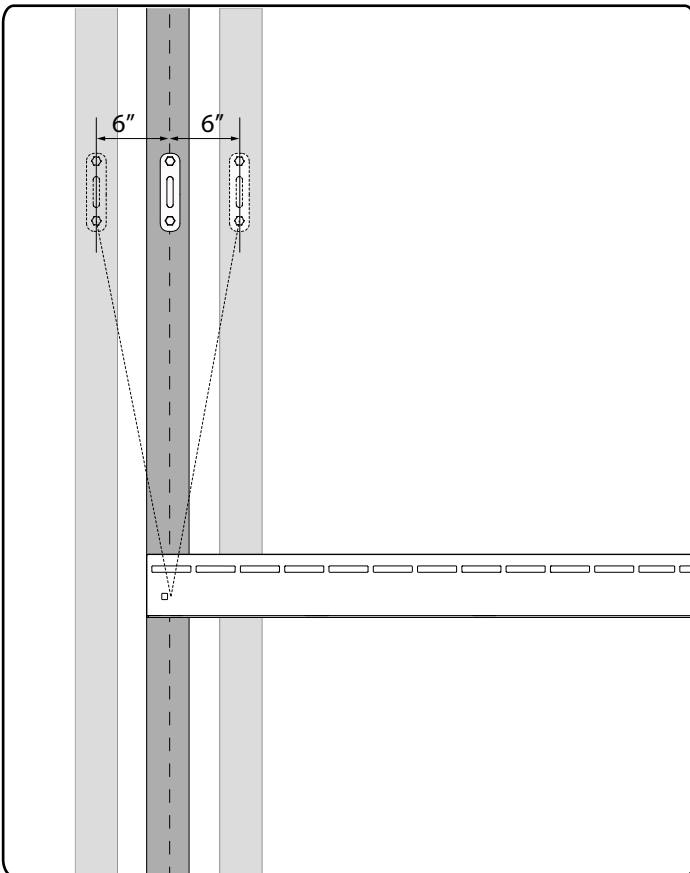


Installation de la plaque à œillet

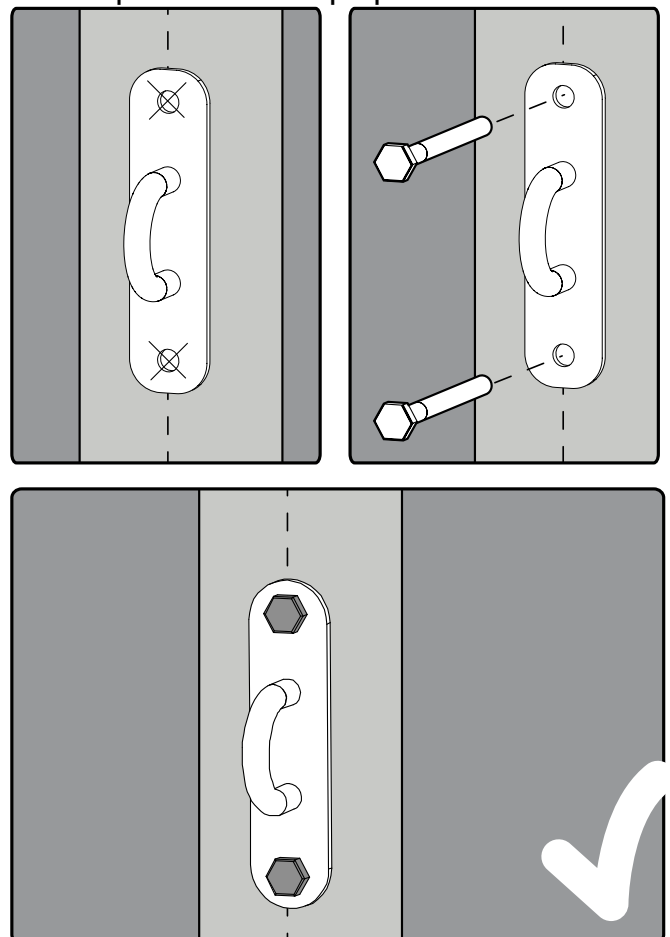
- 8** Mesurez 23 pouces vers le haut, à partir du bas du cadre de l'étagère murale Pro, et marquez le montant le plus proche sur les côtés gauche et droit.



- 9** Le centre du montant ne doit pas être éloigné de plus de 6 pouces du cadre de l'étagère murale Pro.

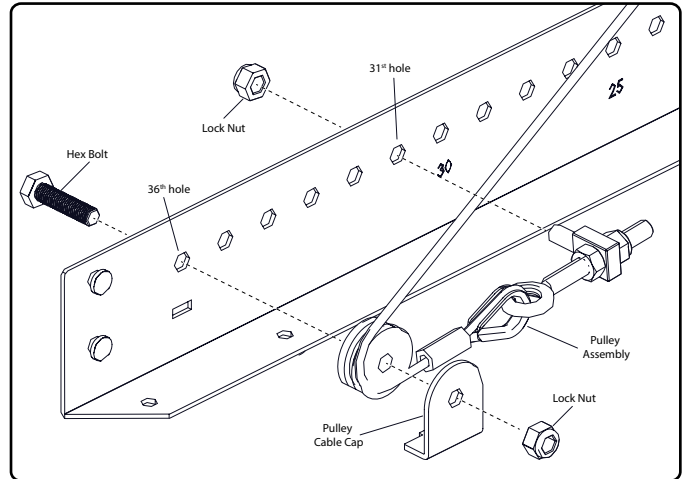
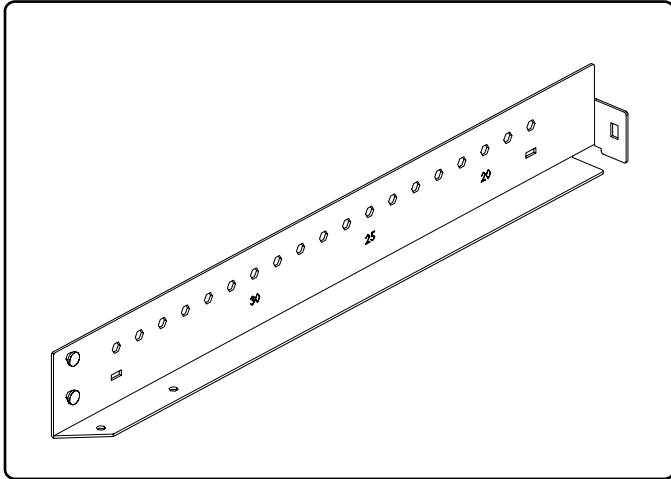


- 10** Percez les trous pilotes dans le bois massif à l'aide d'une mèche de 3/16 de po. À l'aide d'une douille de 7/16 de po., fixez la plaque à œillets au montant à l'aide de deux tire-fonds. Répétez cette étape pour l'autre côté.

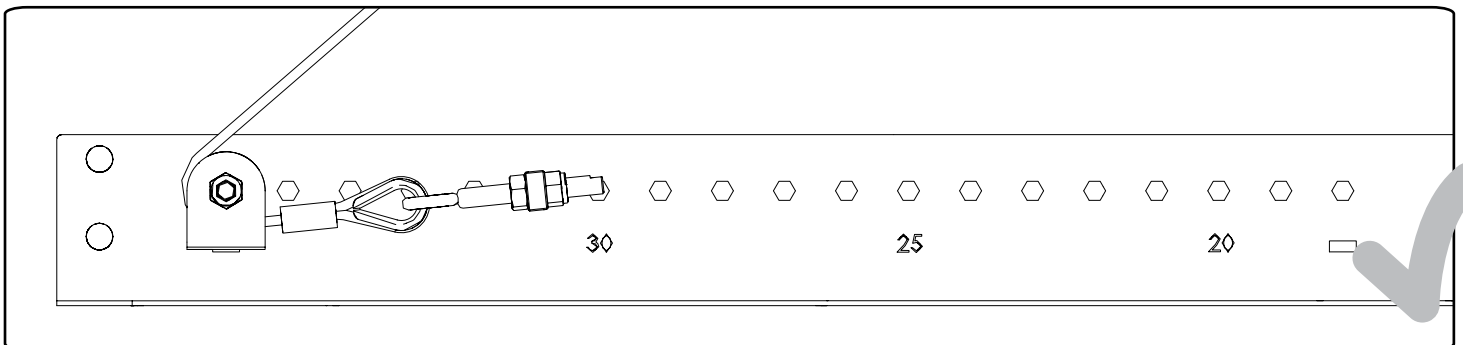
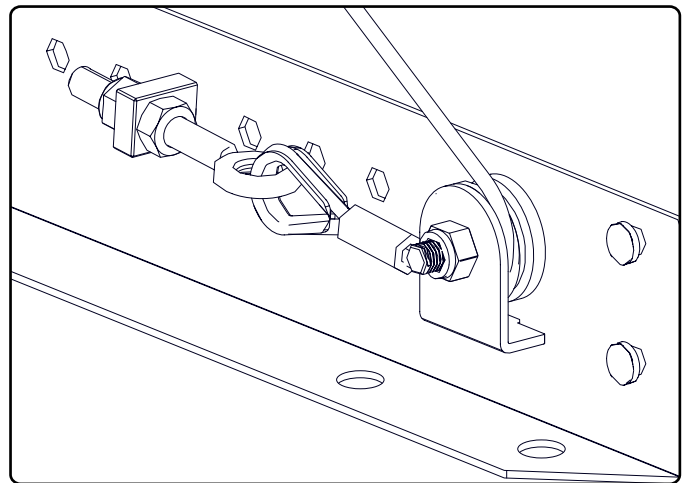
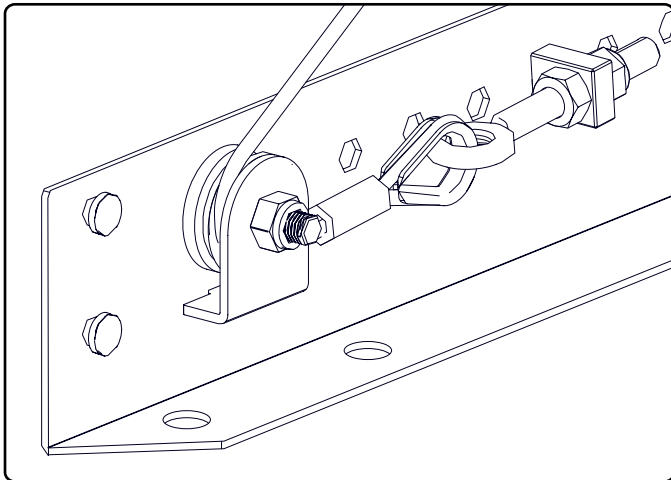


Assemblage de la poutre périmétrique et du câble

- 11** Enroulez le câble autour de la poulie. Fixez la poulie et le capuchon du câble de poulie dans le 36^{ème} trou de la poutre latérale à l'aide d'un boulon hexagonal de 5/16 de po. et d'un écrou. Fixez l'extrémité du câble 31^{ème} trou à l'aide d'un contre-écrou de 5/16 de po.



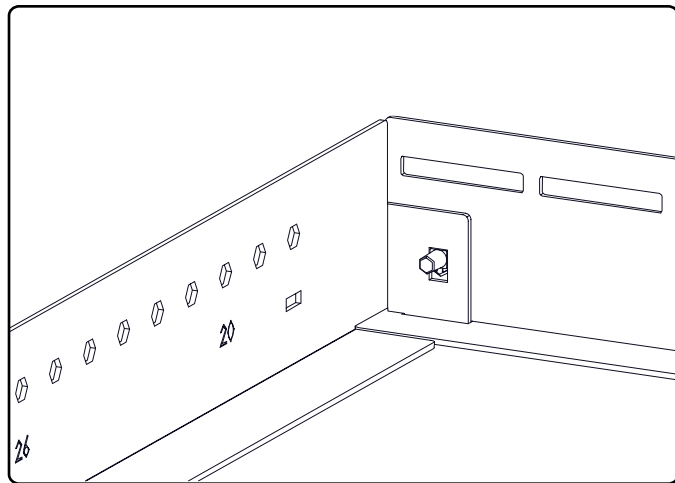
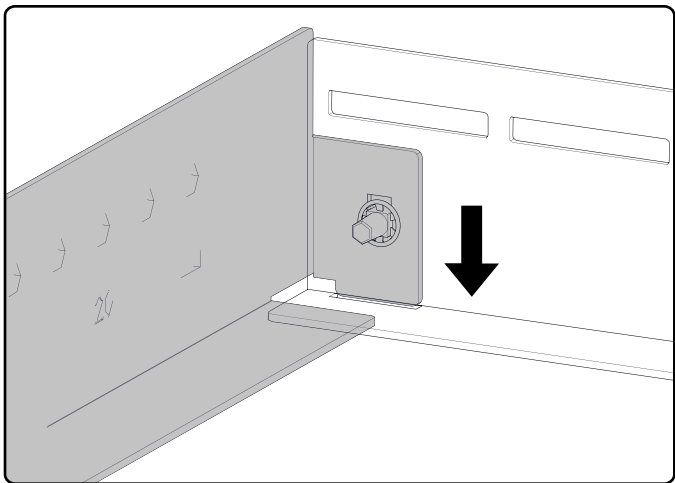
- 12** Répétez l'étape 11 pour l'autre poutre latérale.



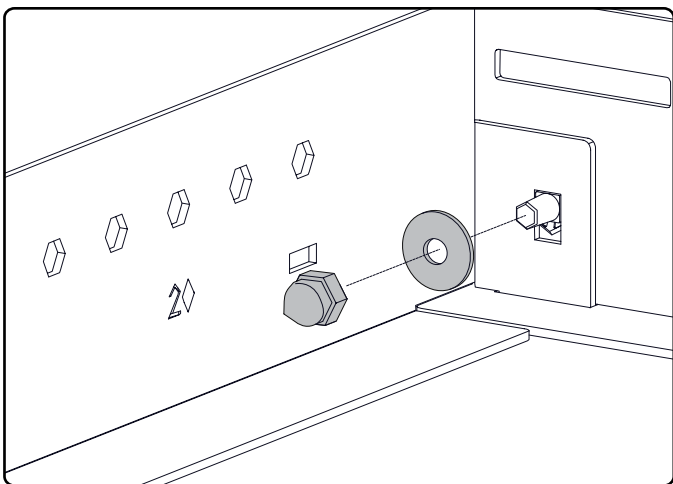
Remarque : Consultez la [page 32](#) pour installer horizontalement deux étagères l'une à côté de l'autre.

Assemblage de la poutre périmétrique et du câble

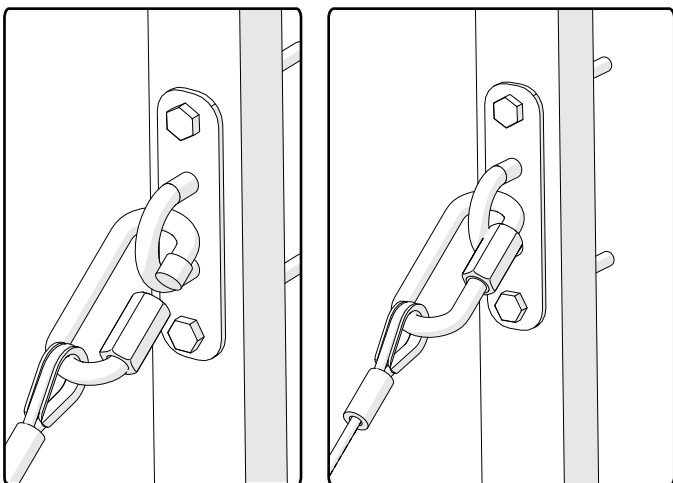
13 Insérez la poutre latérale dans les poutres arrière installées. Assurez-vous que la poutre latérale est insérée dans la découpe de la poutre arrière.



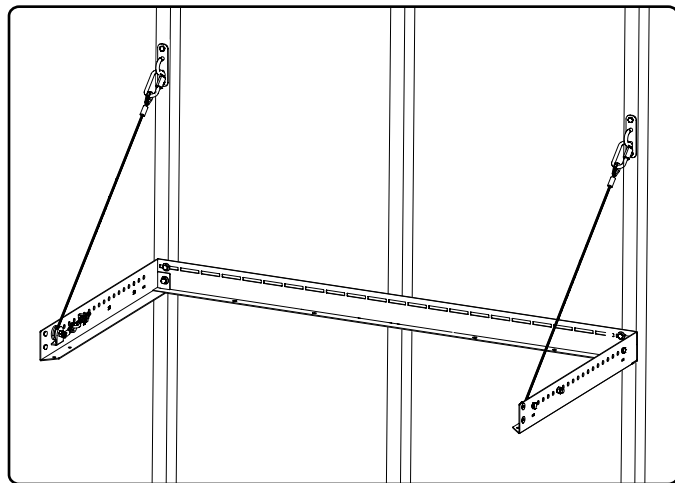
14 Fixez la poutre latérale à l'aide d'une rondelle et d'un écrou borgne.



15 Accrochez le câble à la plaque à œillets.

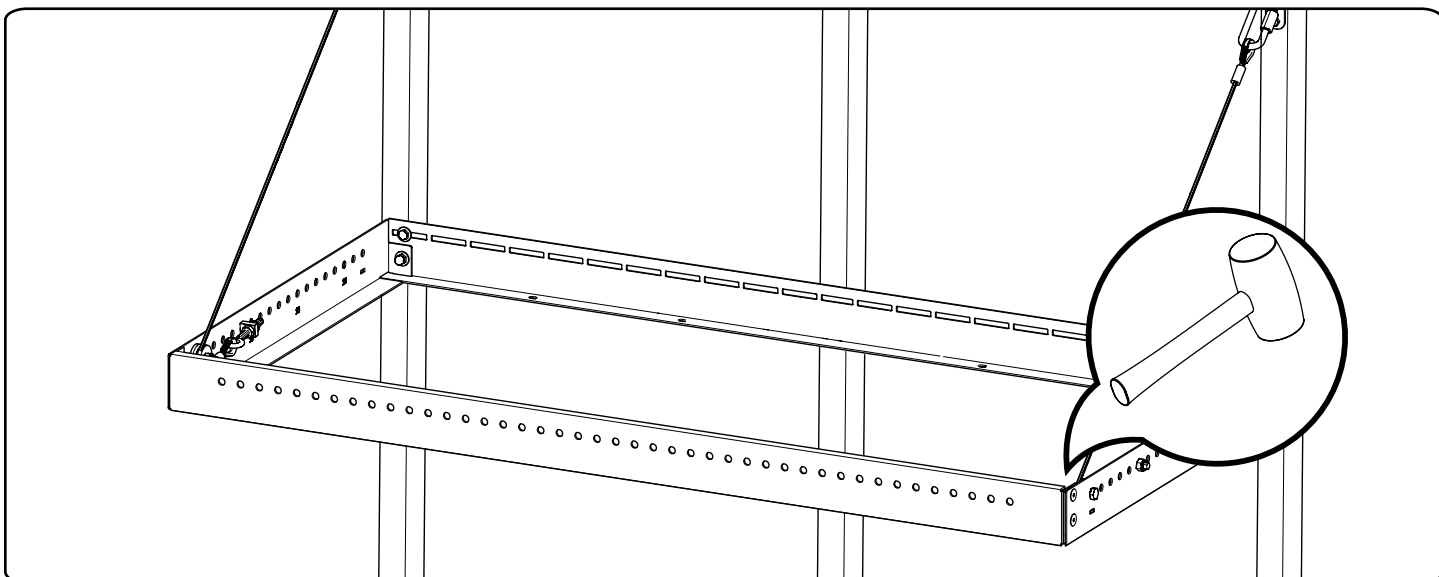
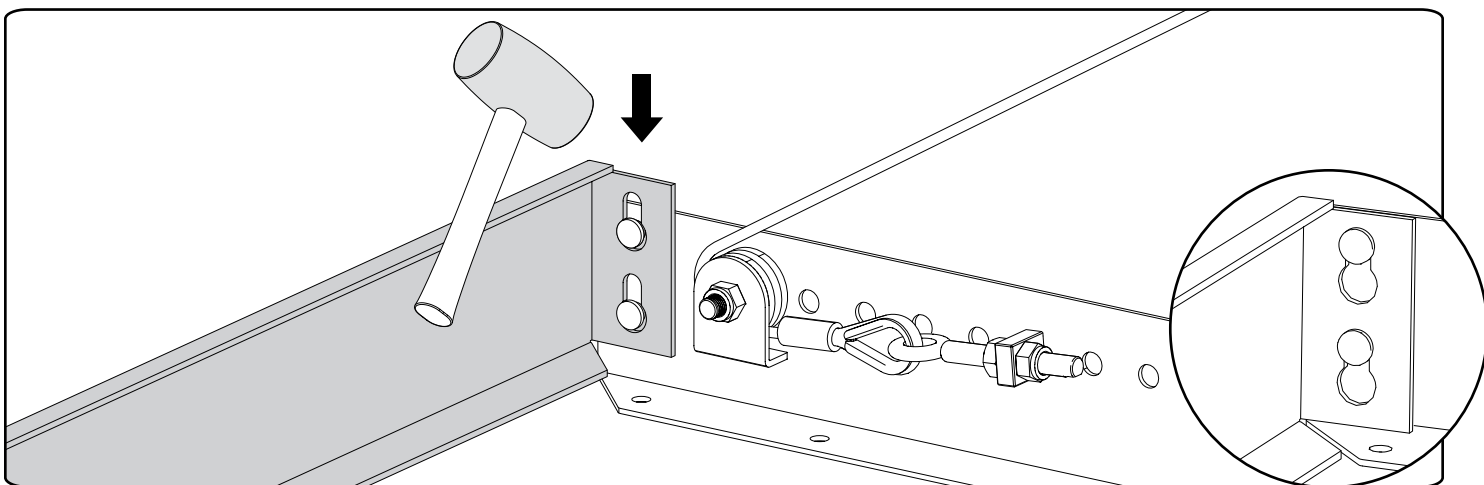
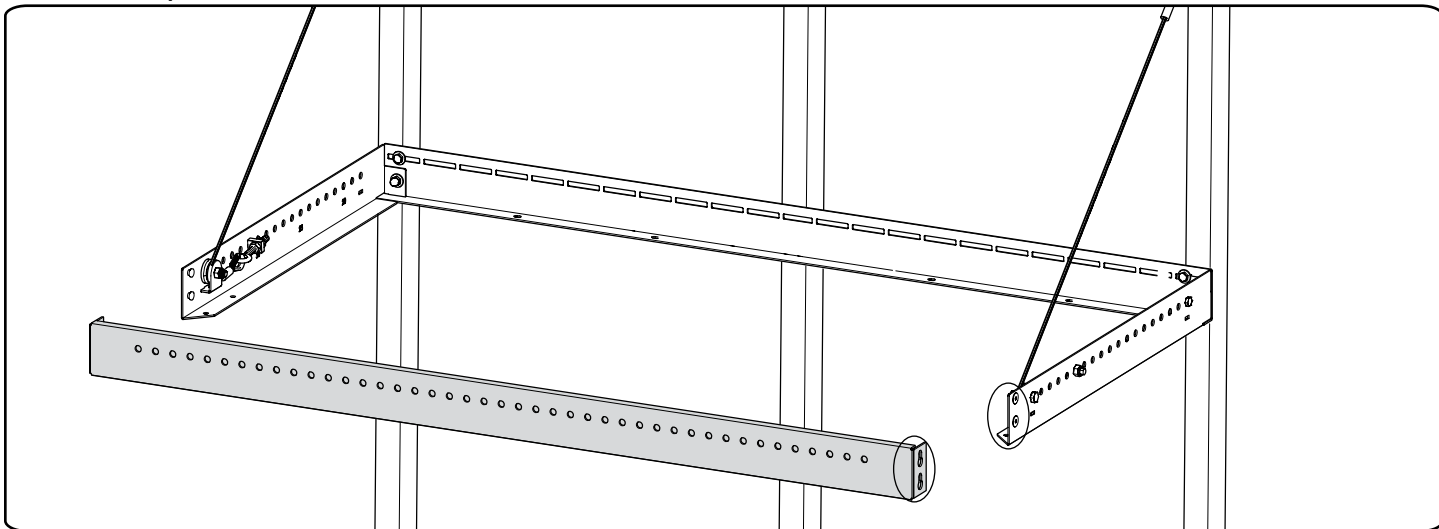


16 Répétez les étapes 13 à 15 pour l'autre côté.



Assemblage de la poutre avant

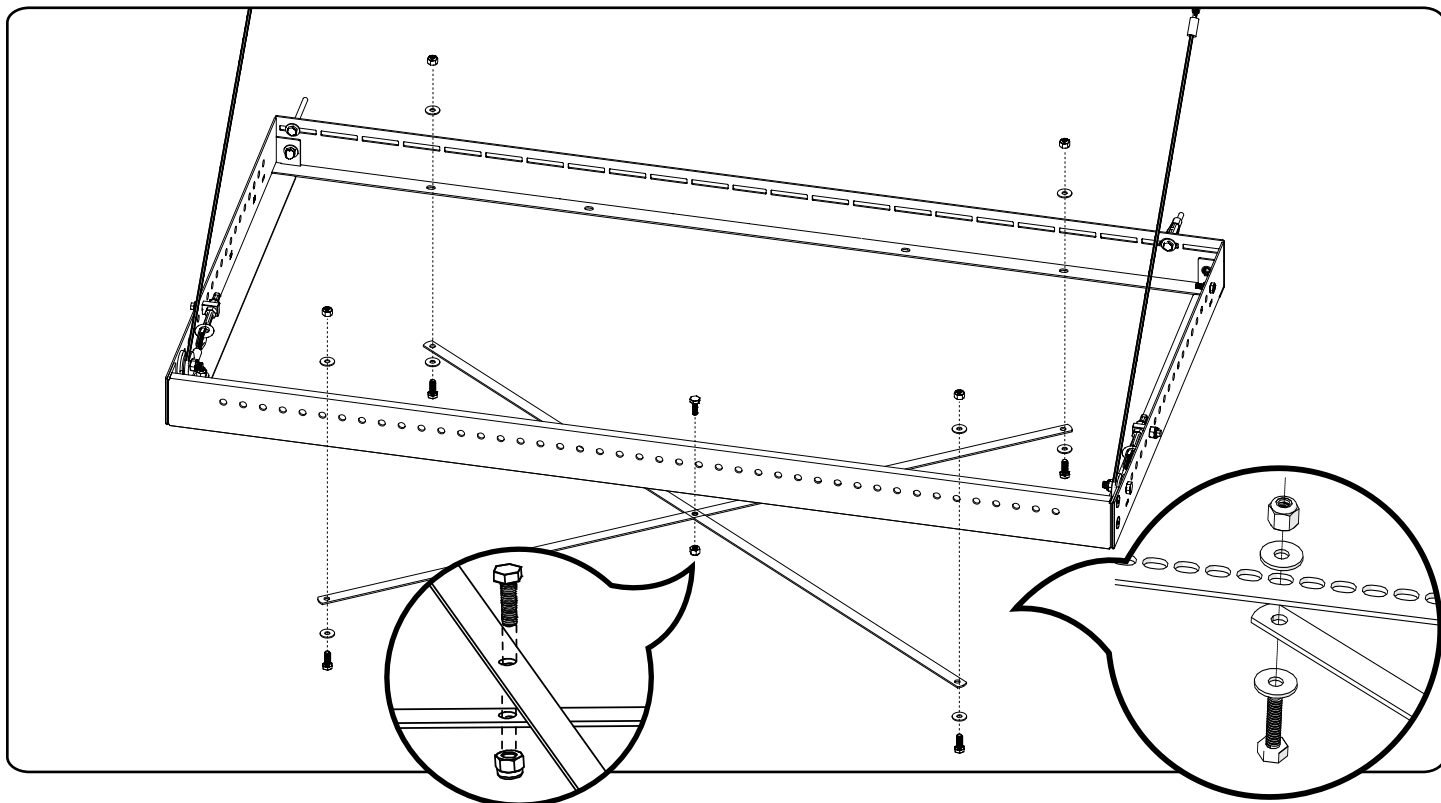
- 17** Positionnez les trous de fixation de la poutre avant dans les rivets d'épaule de la poutre périmétrique latérale. Utilisez un maillet en caoutchouc pour poser les rivets sur la partie supérieure des fentes en forme de trous de serrure.



Installation de l'entretoise

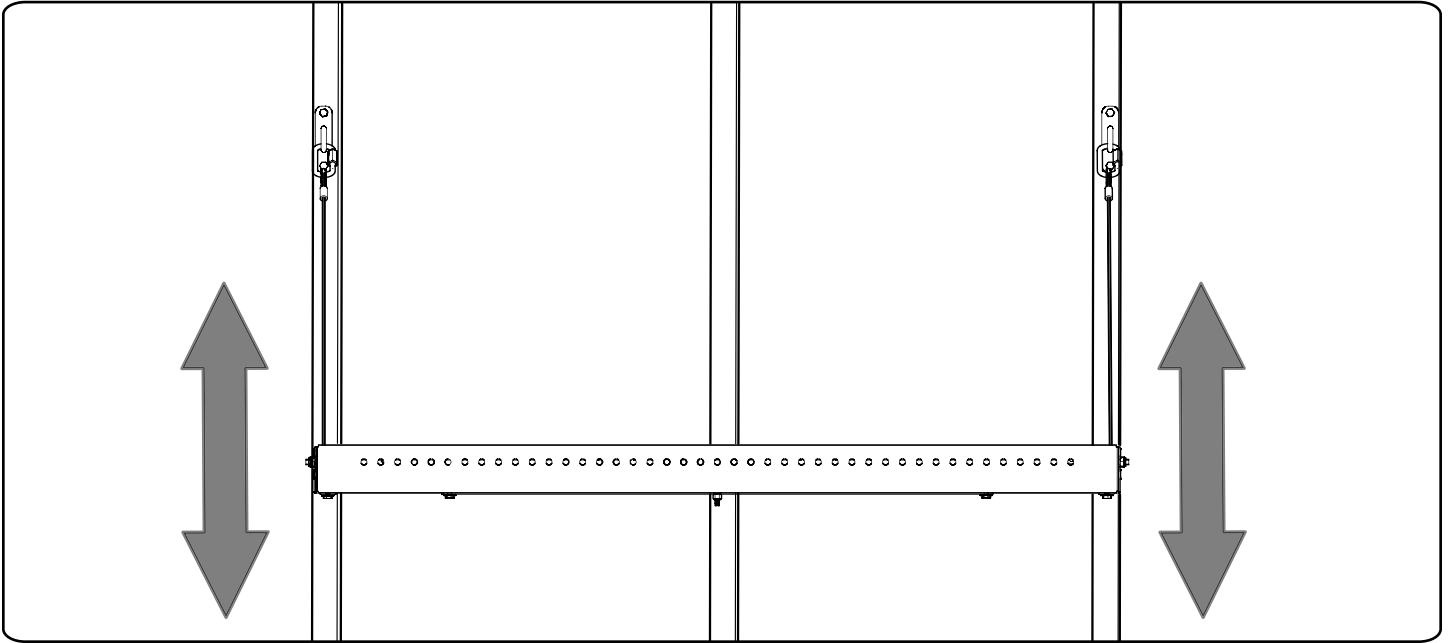
18

Guidez les trous de fixation de la poutre avant dans les rivets d'épaulement de la poutre périmétrique latérale. Utilisez un maillet en caoutchouc pour poser les rivets sur la partie supérieure des fentes en forme de trous de serrure.

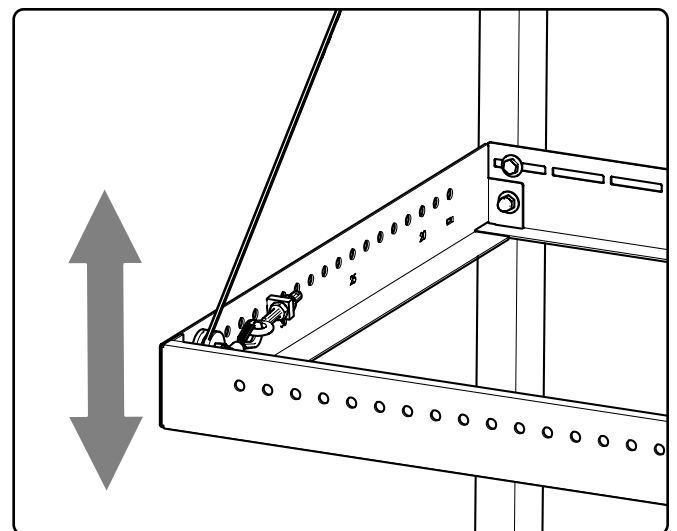
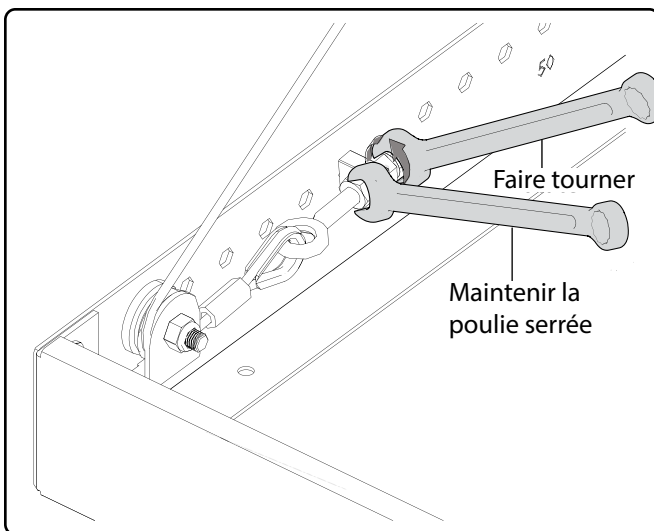


Mise à niveau de la plate-forme

- 19** Mesurez chaque côté du cadre inférieur de l'étagère murale Pro, à partir du plafond ou du sol. Veillez à ce que la plate-forme de l'étagère murale Pro soit de niveau de chaque côté.

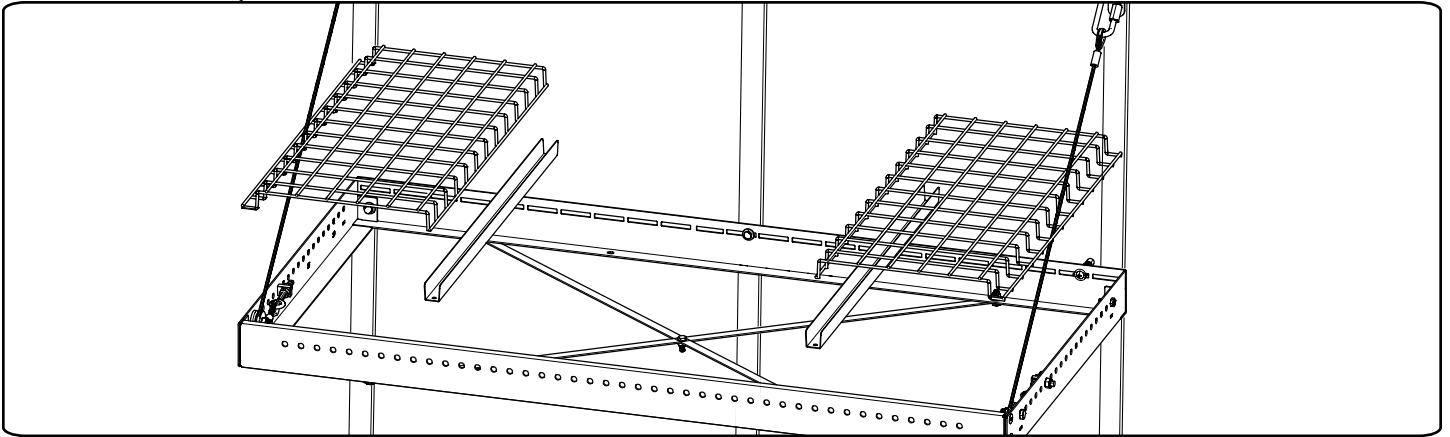


- 20** Si l'étagère murale Pro doit être mise à niveau, utilisez une clé pour maintenir la poulie serrée et tournez l'écrou installé à l'endroit le plus éloigné. Une rotation dans le sens inverse des aiguilles d'une montre permet de soulever la plate-forme.

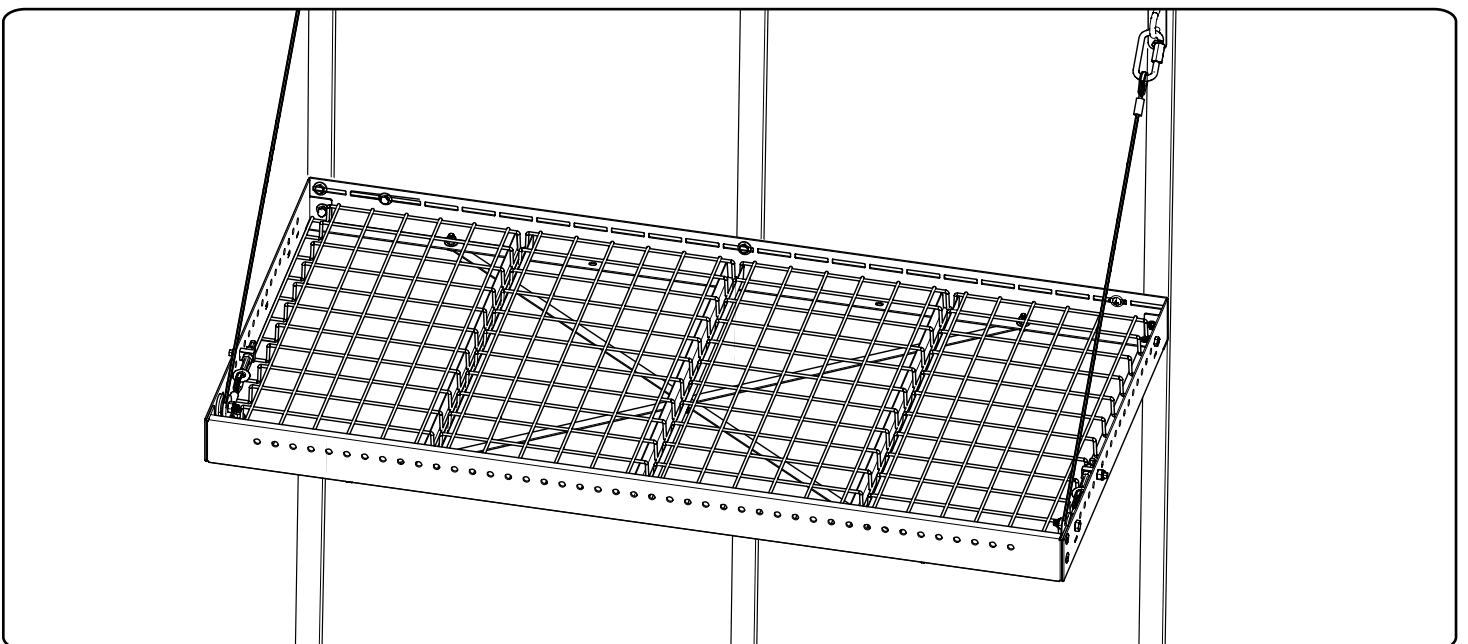
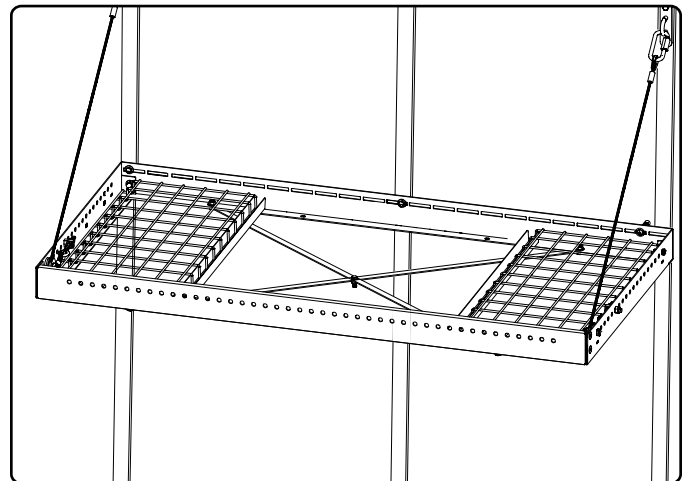
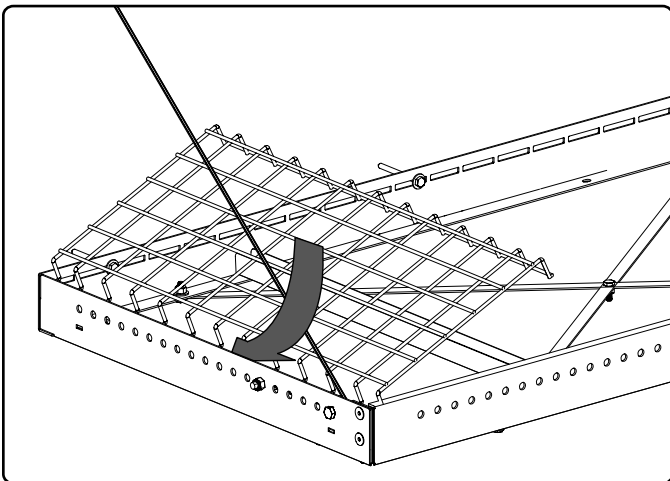


Installation des supports de grilles et des grilles métalliques

- 21** Commencez par les extrémités latérales des étagères murales et faites glisser la section de grille de finition de 4 pieds avec les bords pliés. Les bords pliés glissent sous la poulie et les câbles installés. Placez les supports de grille en forme de "U" de 4 pieds sous la grille métallique.



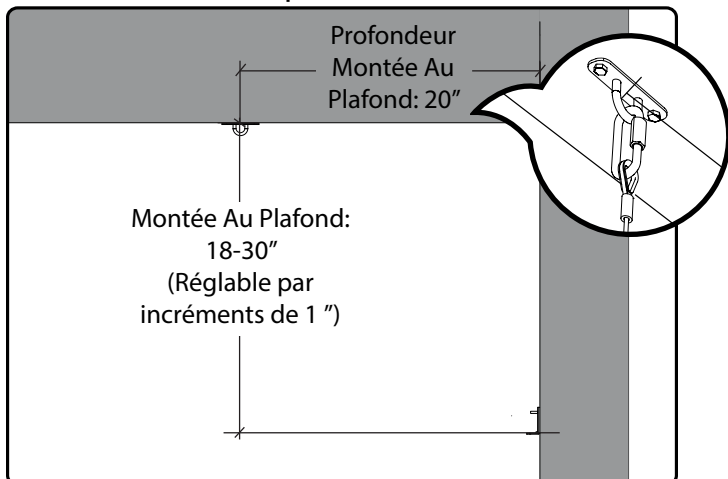
- 22** En se déplaçant vers l'intérieur, placez les autres supports de grille en forme de "U" et les sections de grille sur l'étagère murale.



Configuration du plafond - Option B

1

Mesurez 20 pouces de profondeur, du mur au milieu du plafond. Veillez à ce qu'il soit centré par rapport à la solive du plafond.



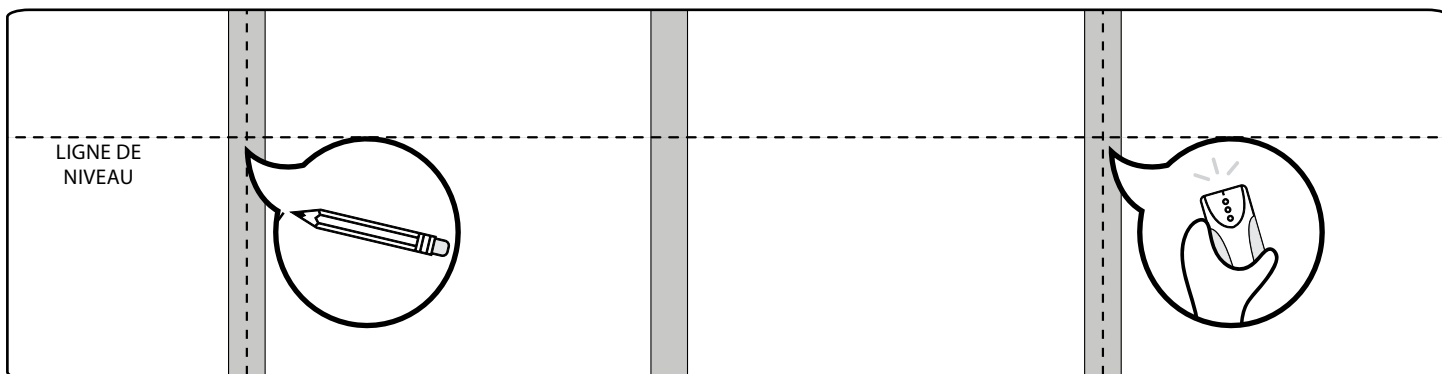
Remarque :

Si les solives de plafond ne se trouvent pas à l'emplacement requis, reportez-vous à la section «Installation avec un espacement irrégulier entre les solives» à la [Page 30](#).

2

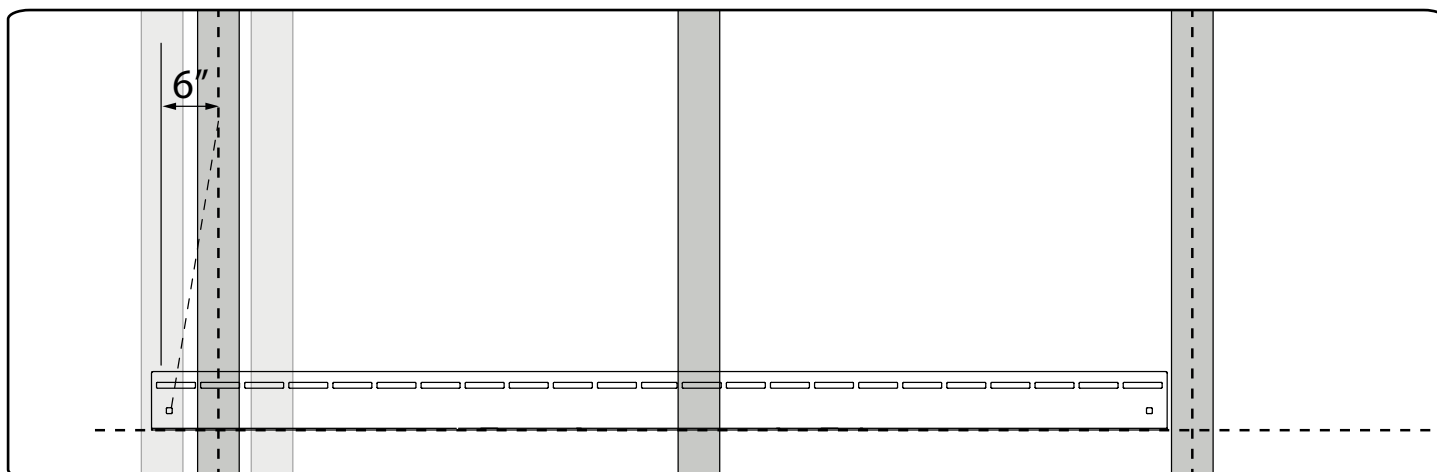
À l'aide d'un niveau, tracez une ligne horizontale à l'emplacement souhaité pour le bas de l'étagère murale. Si le mur comporte des montants apparents, marquez la ligne horizontale sur les montants.

Remarque : Pour faciliter l'installation, utilisez un niveau laser pour marquer la ligne horizontale.

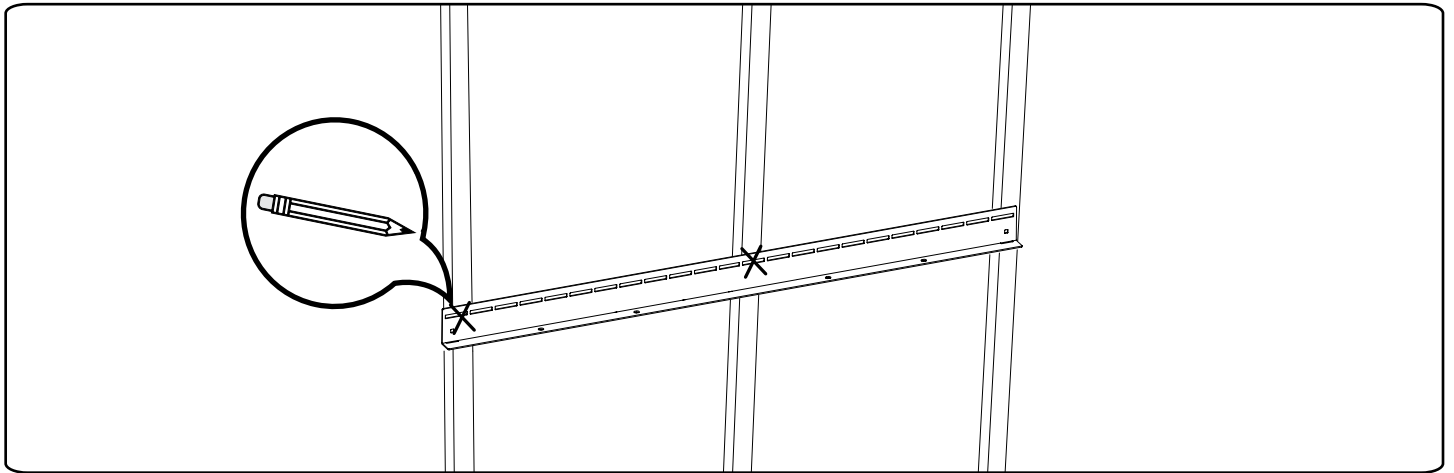


3

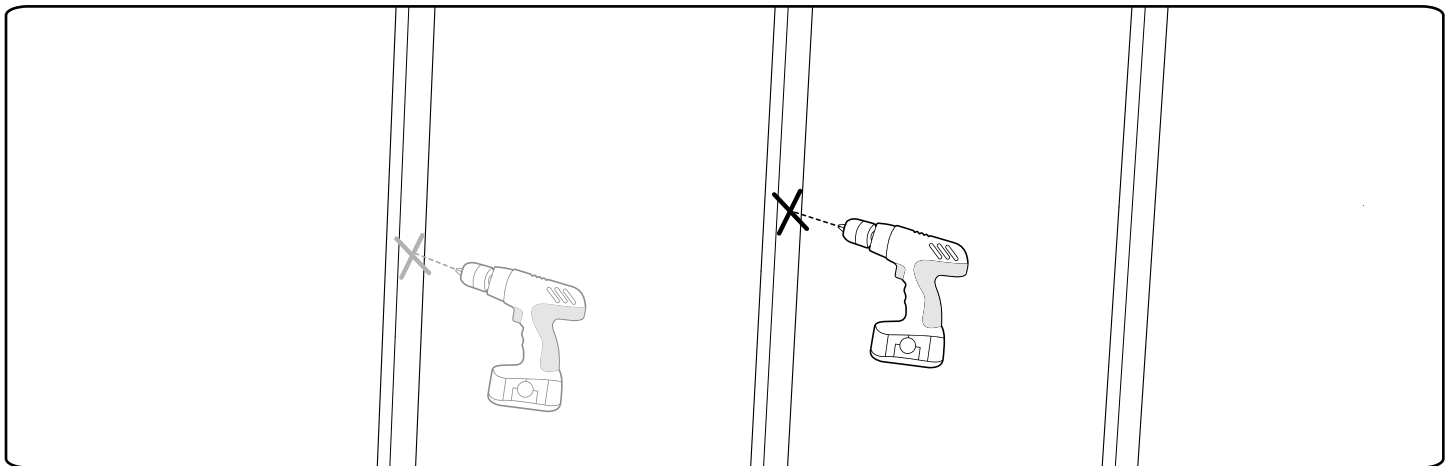
Placez le sous-ensemble contre le mur. Le centre du montant ne doit pas être éloigné de plus de 6 pouces du cadre de l'étagère murale Pro.



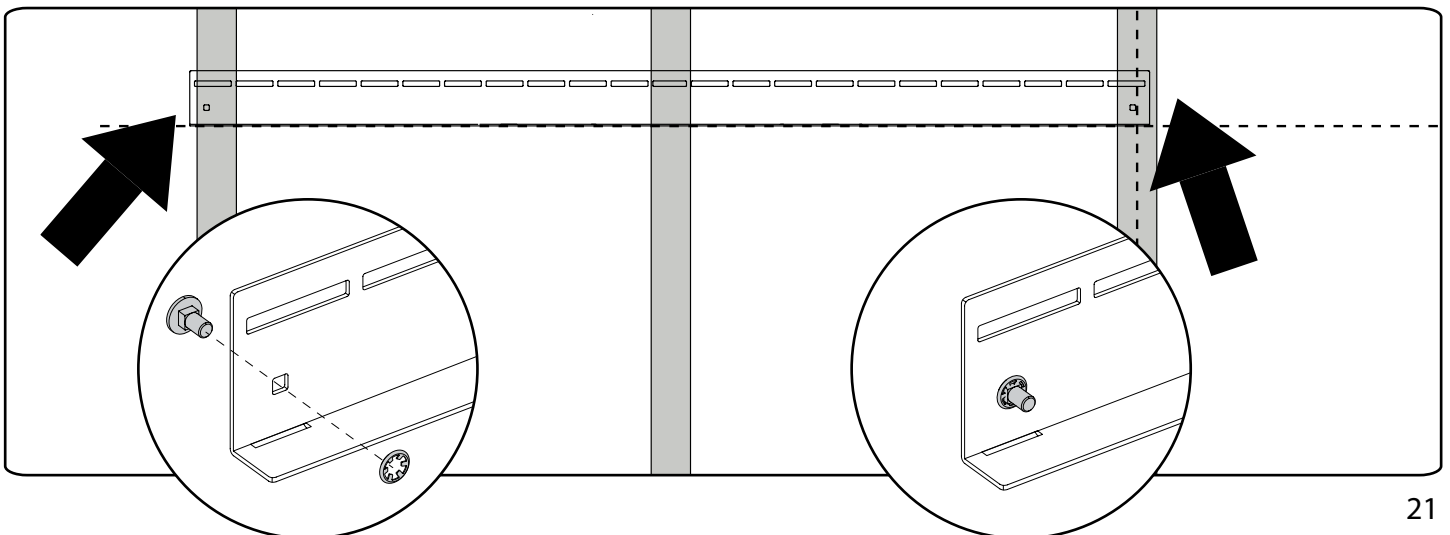
- 4** Marquez l'emplacement des tire-fonds. Chaque poutre arrière doit être munie de deux vis de fixation aussi espacées que possible. Un total de 4 vis pour les deux poutres arrières.



- À l'aide d'une mèche de 3/16 de pouce, créez des trous pilotes aux endroits marqués.
- 5** **Remarque :** Le trou pilote doit s'enfoncer dans 3 pouces pour que le tire-fond soit solidement fixé.

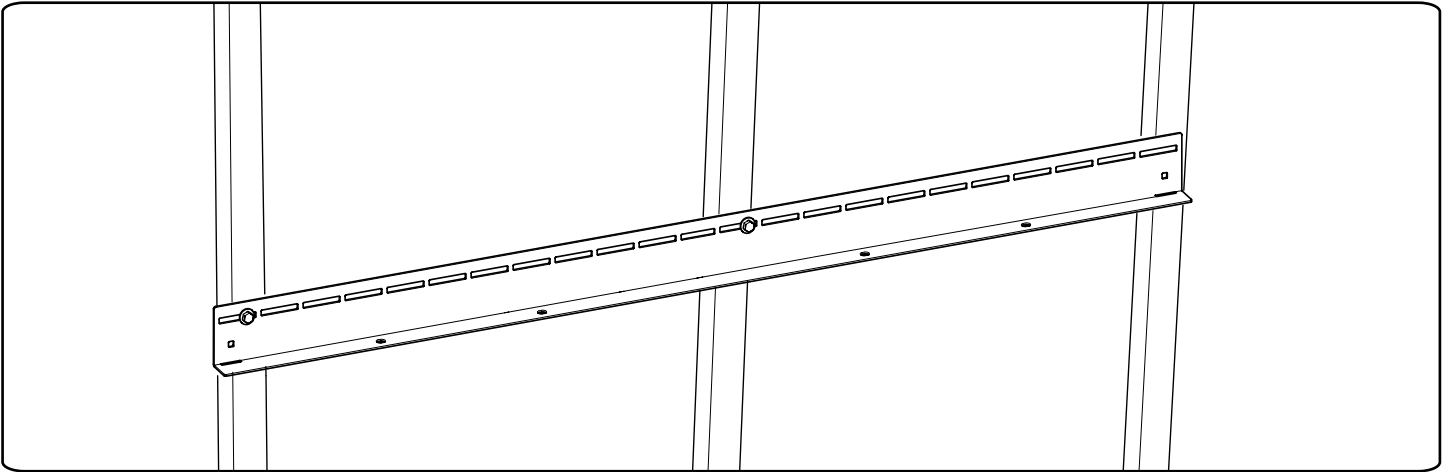


- 6** Insérez un boulon de carrosserie à tête plate et des anneaux de retenue externes à emboîter aux deux extrémités des poutres arrières assemblées.



7

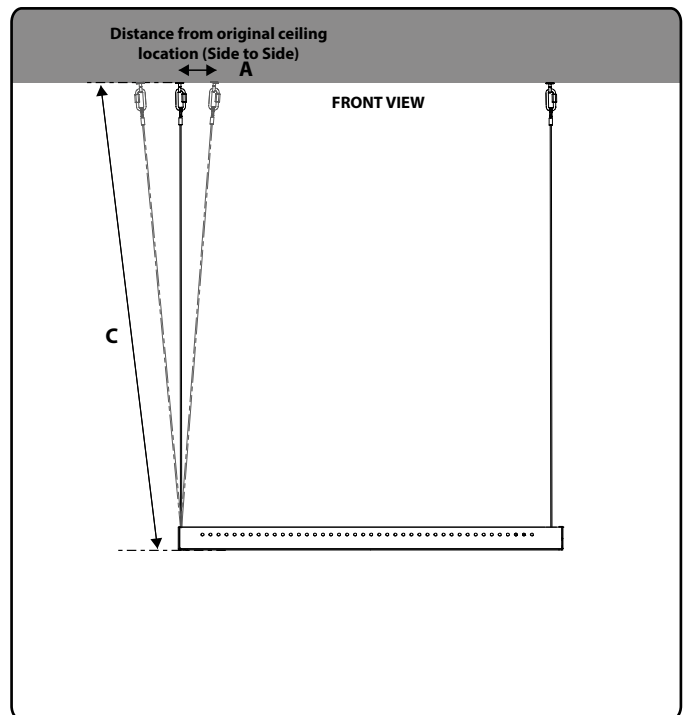
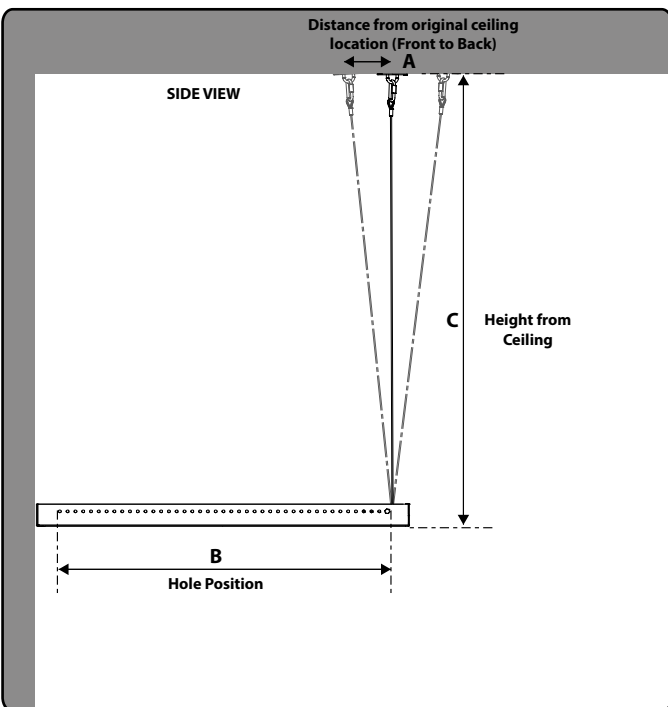
À l'aide d'une douille de 7/16 de po., installez 2 tire-fonds et 2 rondelles dans les trous pilotes.



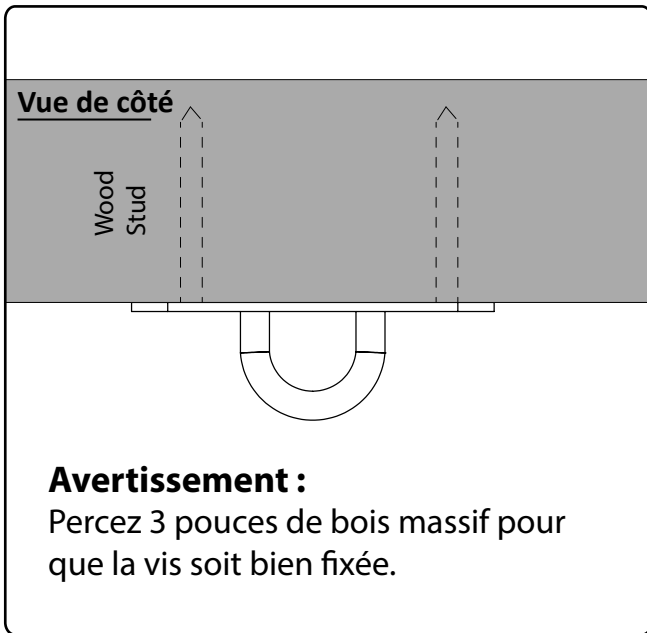
Remarque : En fonction de l'emplacement des solives et de la disposition, les plaques à œillets peuvent être positionnées jusqu'à 6 pouces d'un côté à l'autre ou de l'avant à l'arrière. La hauteur de l'étagère doit être réglée en fonction des valeurs indiquées dans le tableau de la [page 23](#).

8

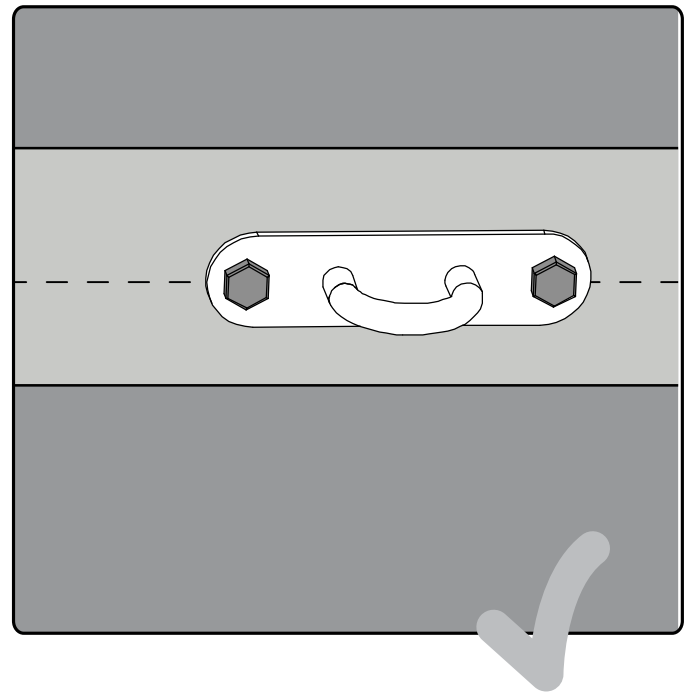
Déterminez la distance entre la plaque à œillets et l'emplacement d'origine prévu au plafond (A) et la position du trou (B). Regardez les valeurs correspondantes sur la [page 23](#) (pour A et B) pour déterminer la hauteur à partir du plafond (C).



- 9** Percez les trous pilotes dans le bois massif à l'aide d'une mèche de 3/16 de po.



- 10** À l'aide d'une douille de 7/16 de po., fixez la plaque à œillets au montant à l'aide de deux tire-fonds. Répétez cette étape pour l'autre côté.



Les valeurs indiquées dans le tableau ci-dessous correspondent à la distance entre le bas de l'étagère murale et le plafond. (C)

Remarque : La plaque à œillets peut être positionnée jusqu'à 6 pouces d'un côté à l'autre ou de l'avant à l'arrière.

		Distance from Original Ceiling Location (Inches) (A)						
		0	1	2	3	4	5	6
Hole Position (B)	18	18	17 7/8	17 3/4	17 1/2	17 1/4	17	16 5/8
	19	19	18 7/8	18 3/4	18 5/8	18 3/8	18	17 5/8
	20	20	19 7/8	19 3/4	19 5/8	19 3/8	19 1/8	18 3/4
	21	21	20 7/8	20 3/4	20 5/8	20 3/8	20 1/8	19 3/4
	22	22	21 7/8	21 3/4	21 5/8	21 3/8	21 1/8	20 7/8
	23	23	22 7/8	22 3/4	22 5/8	22 1/2	22 1/4	21 7/8
	24	24	23 7/8	23 3/4	23 5/8	23 1/2	23 1/4	23
	25	25	24 7/8	24 7/8	24 5/8	24 1/2	24 1/4	24
	26	26	25 7/8	25 7/8	25 3/4	25 1/2	25 1/4	25
	27	27	26 7/8	26 7/8	26 3/4	26 1/2	26 3/8	26 1/8
	28	28	27 7/8	27 7/8	27 3/4	27 1/2	27 3/8	27 1/8
	29	29	28 7/8	28 7/8	28 3/4	28 5/8	28 3/8	28 1/8
30	30	29 7/8	29 7/8	29 3/4	29 5/8	29 3/8	29 1/8	

Remarque : Consultez la [page 32](#) pour installer horizontalement deux étagères l'une à côté de l'autre.

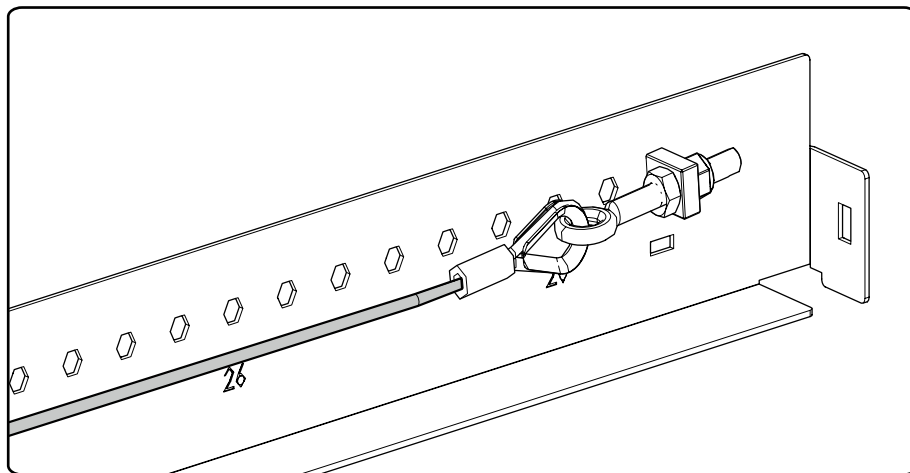
Assemblage de la poutre périmétrique et des câbles

- 11** Fixez l'œillet à la poutre latérale à l'aide d'un boulon de 5/16 de po., d'un écrou et d'une rondelle de protection.

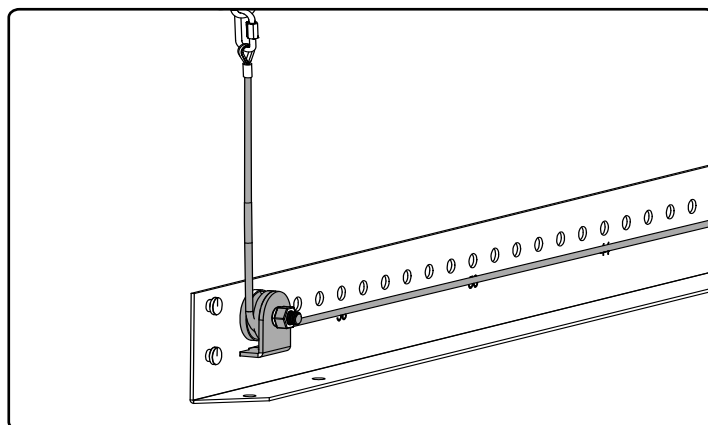
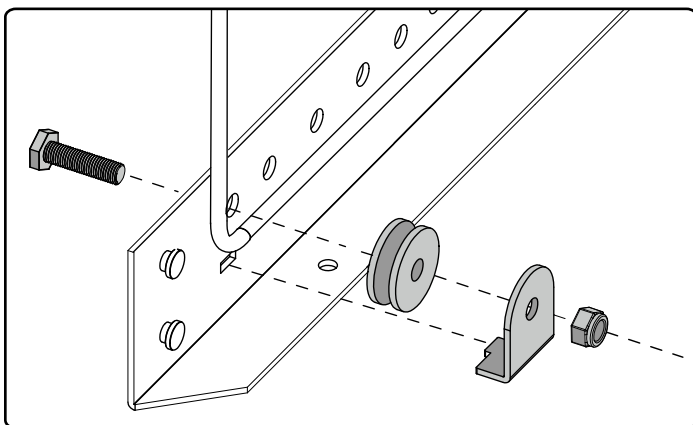
Remarque :

Fixez l'œillet du câble dans le trou correspondant en fonction de la distance mesurée entre le plafond et le bas de l'étagère murale.

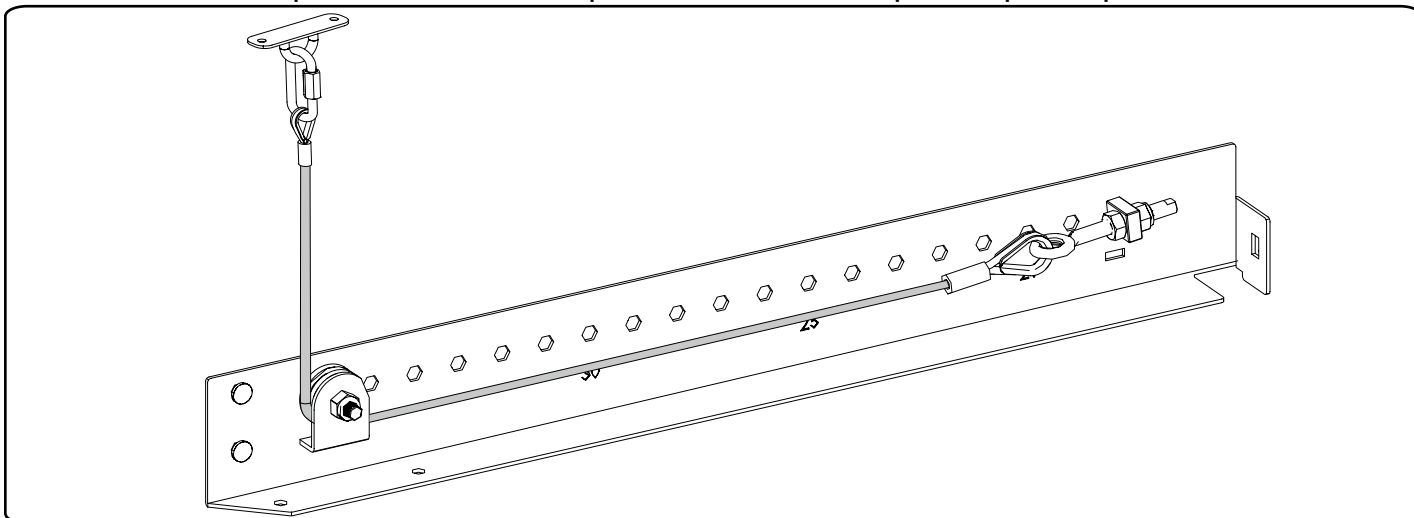
Exemple : 18 po. du plafond = 18e trou.



- 12** Insérez un boulon hexagonal de 5/16 po dans le premier trou de la poutre périmétrique latérale. Faites glisser la poulie, le capuchon du câble de la poulie sur le boulon hexagonal et enroulez le câble autour de la poulie. Fixez l'ensemble à l'aide d'un contre-écrou de 5/16 de po. Alignez la languette du capuchon du câble de poulie avec la découpe du cadre latéral.

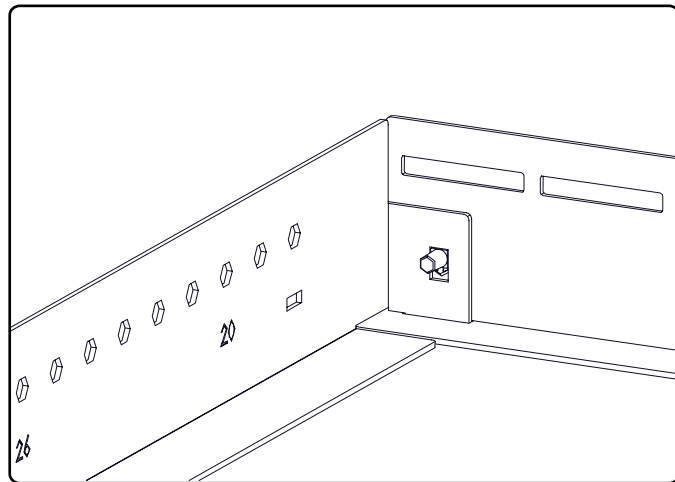
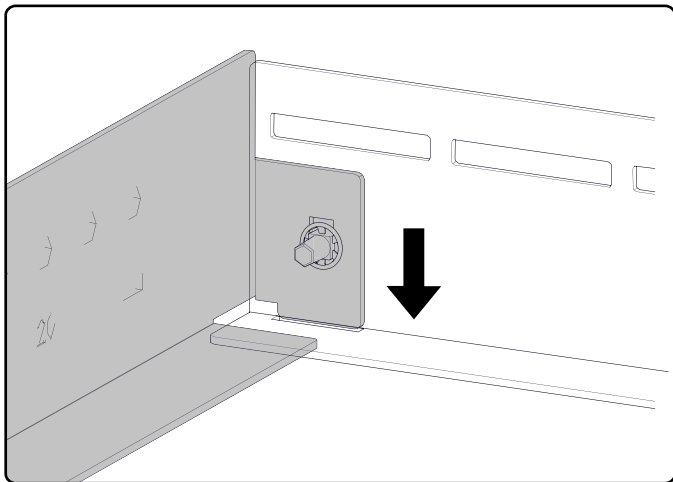


- 13** Déterminez le trou dans lequel le câble sera installé. Les trous déterminent la hauteur de l'installation à partir de la base des poutres arrière. Exemple : 18 po. du plafond = 18e trou.

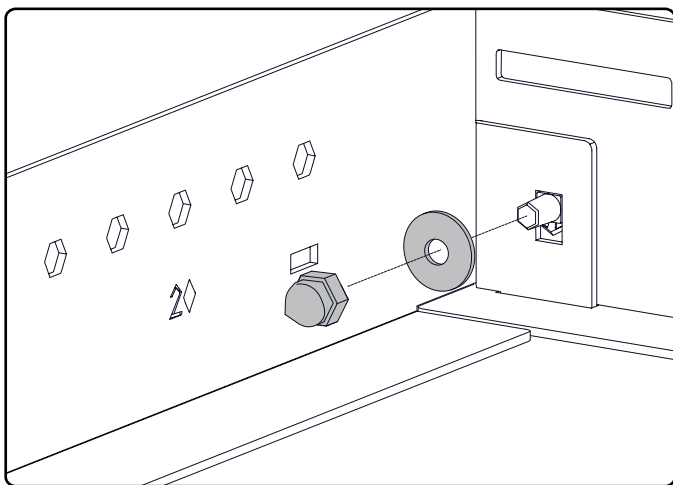


Assemblage de la poutre périmétrique et des câbles

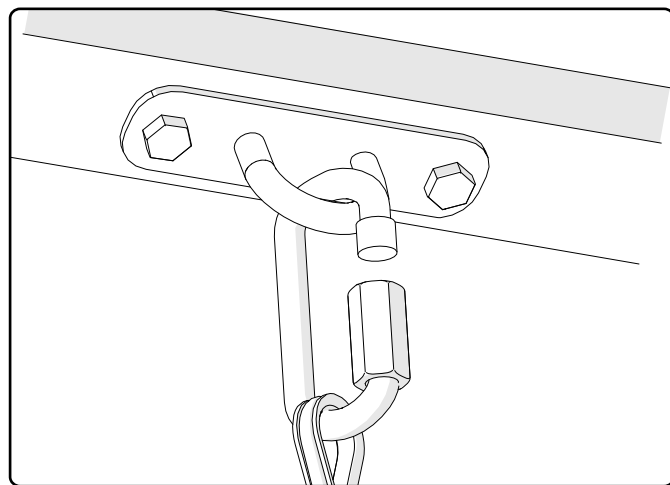
14 Insérez la poutre latérale dans les poutres arrière installées. Assurez-vous que la poutre latérale est insérée dans la découpe de la poutre arrière.



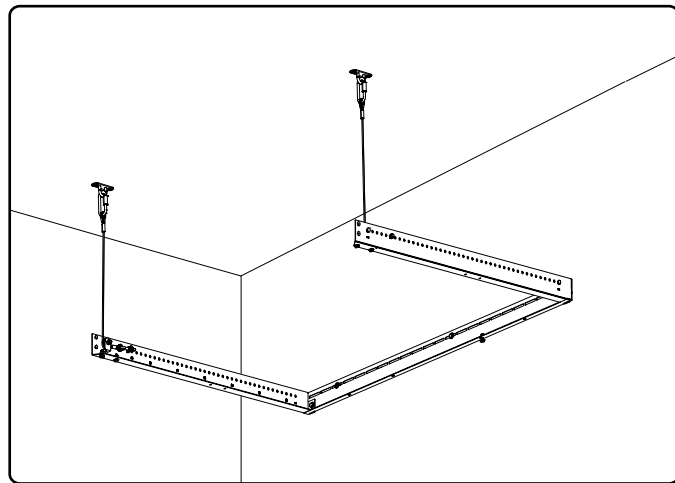
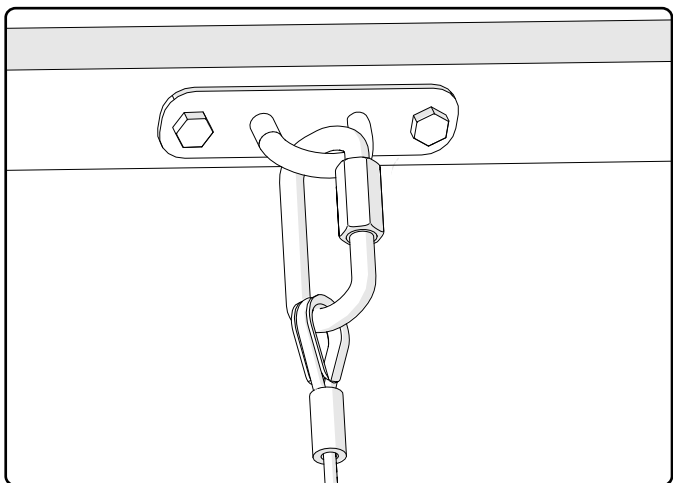
15 Fixez la poutre latérale à l'aide d'une rondelle et d'un écrou borgne.



16 Accrochez le câble à la plaque à œillets.

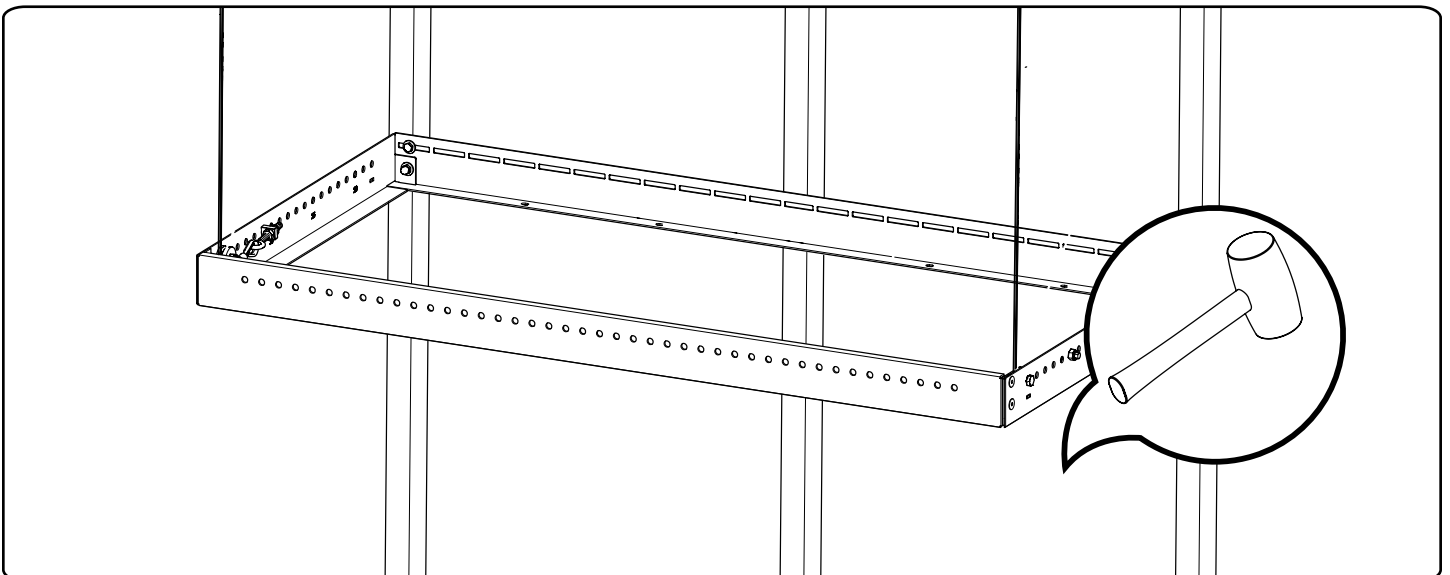
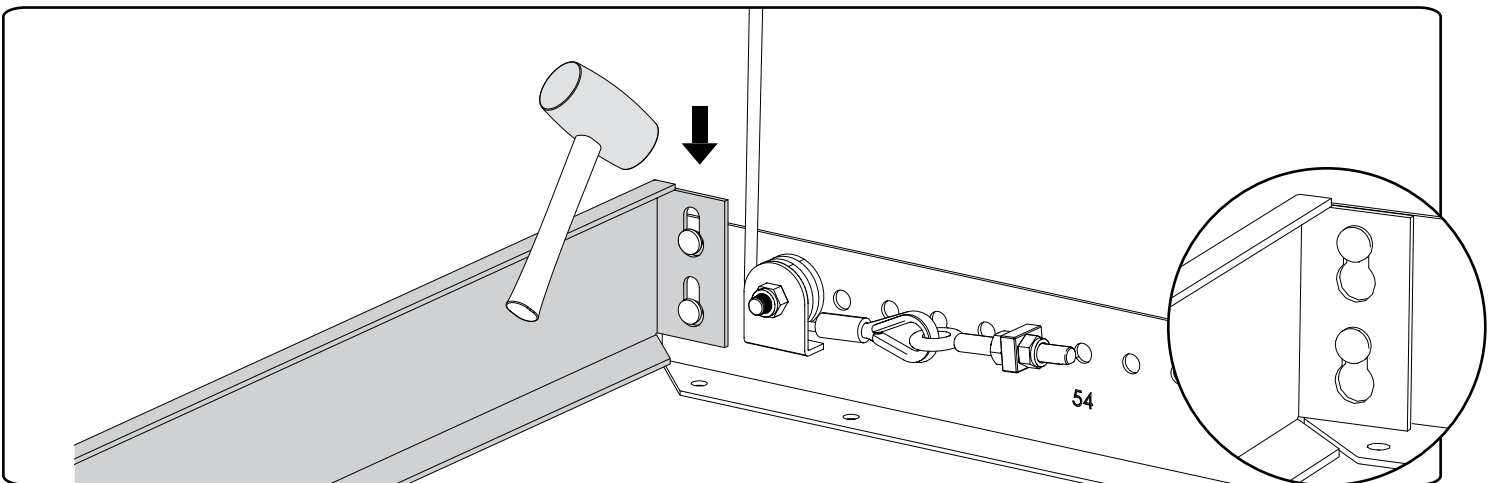
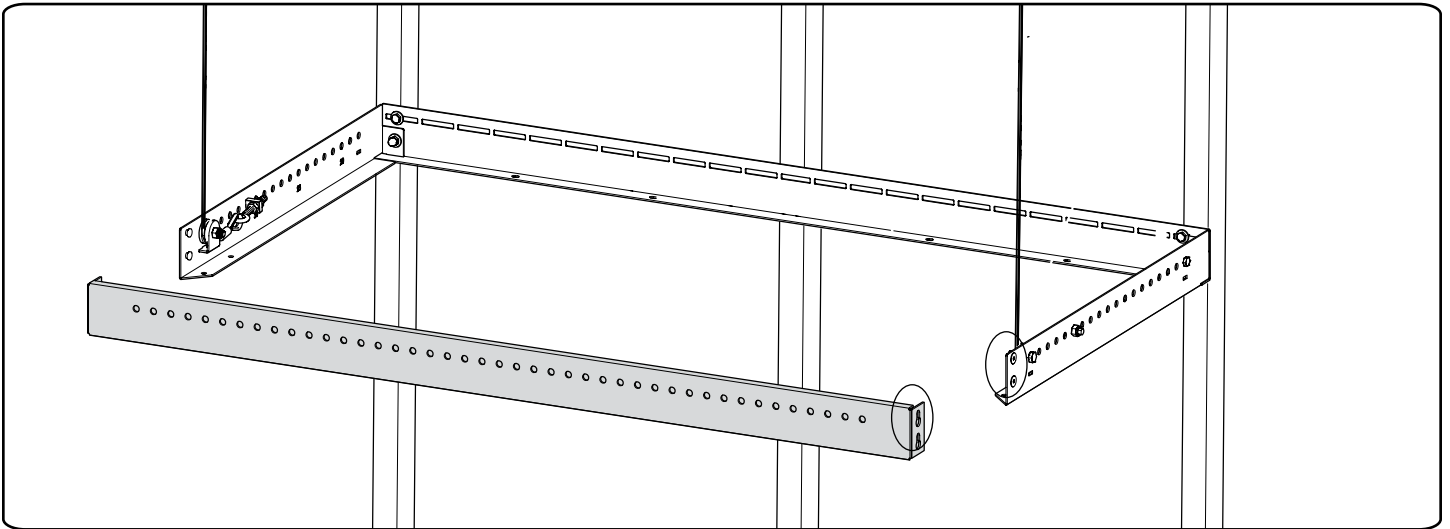


17 Répétez les étapes 14 à 16 pour l'autre côté.



Assemblage de la poutre avant

- 18** Positionnez les trous de fixation de la poutre avant dans les rivets d'épaule de la poutre périmétrique latérale. Utilisez un maillet en caoutchouc pour poser les rivets sur la partie supérieure des fentes en forme de trous de serrure.

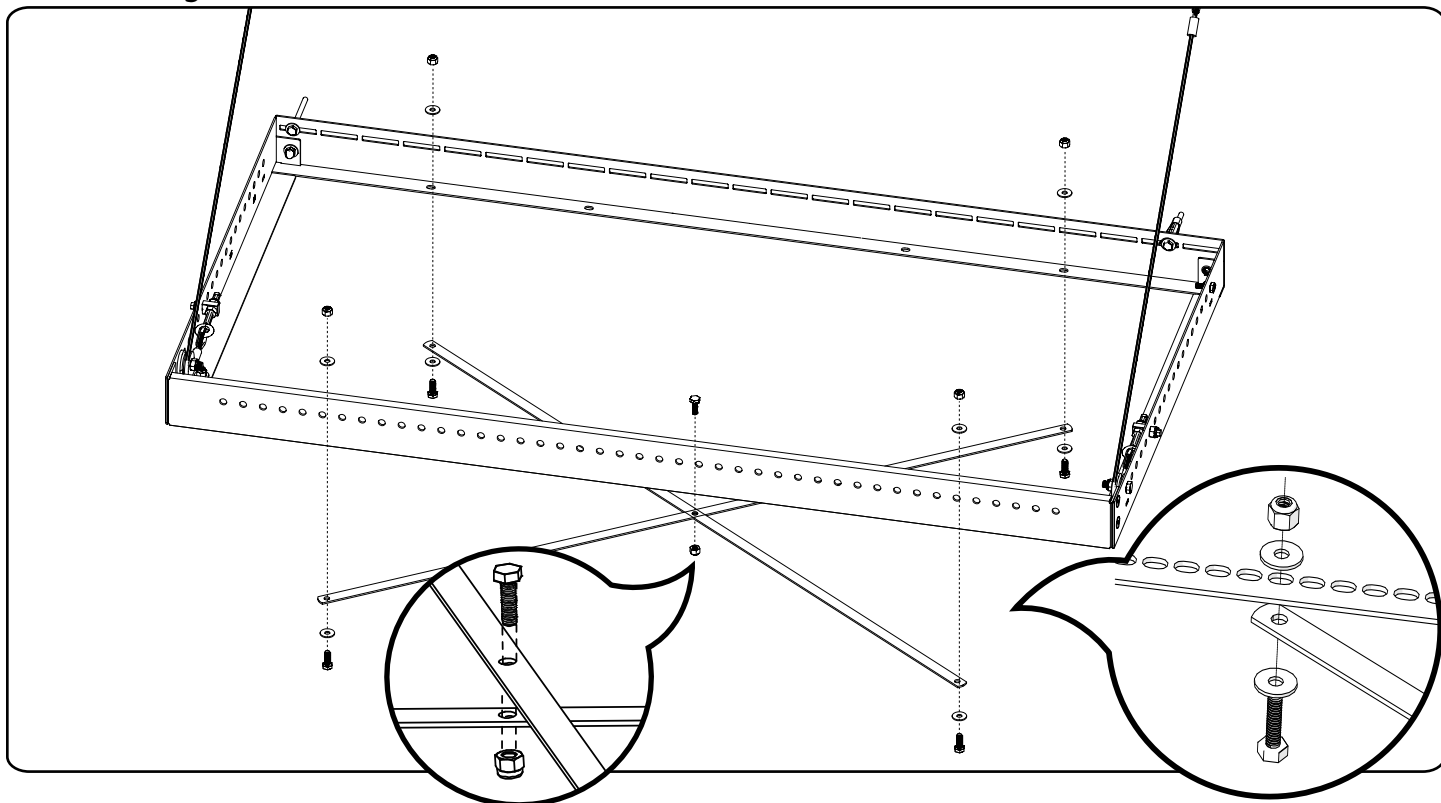


Installation de l'entretoise

Assemblez les supports transversaux de 2 pi avec un boulon hexagonal de 1/4 de po. et un contre-écrou de 1/4 de po.

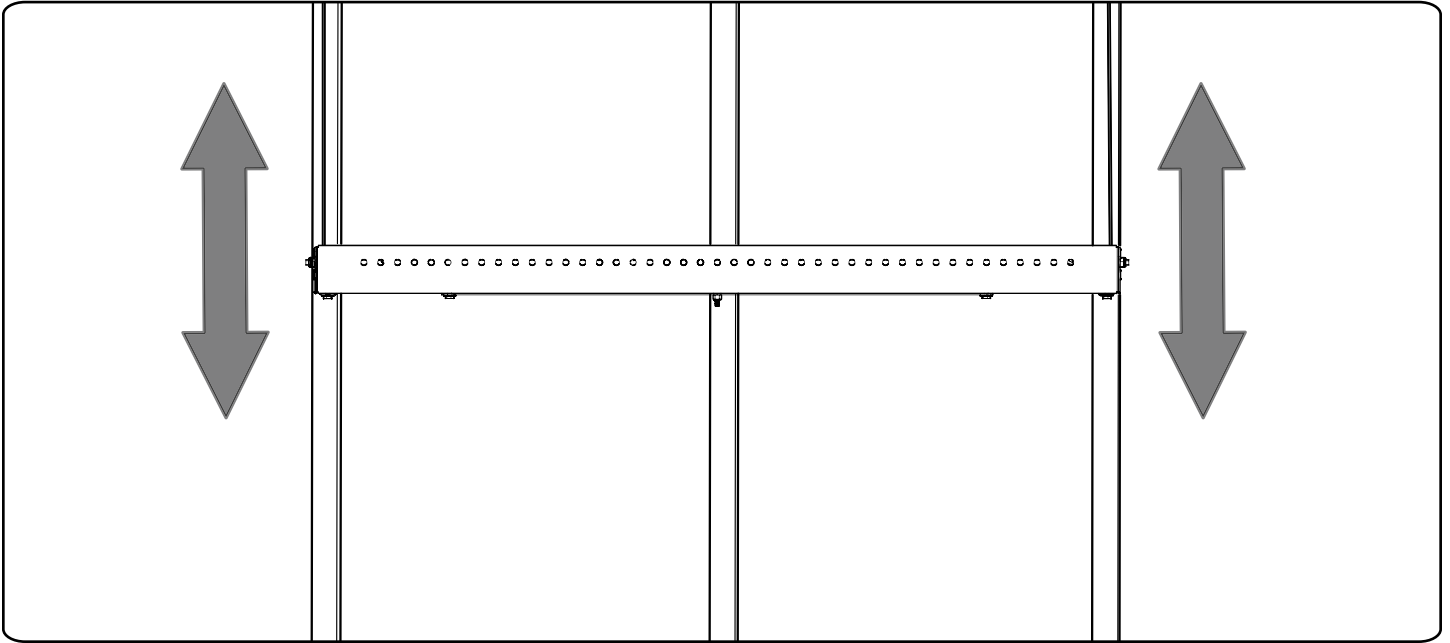
19

Fixez les supports transversaux assemblés de 4 pieds au cadre périmétrique avec 4 boulons hexagonaux, 8 rondelles et 4 contre-écrous.

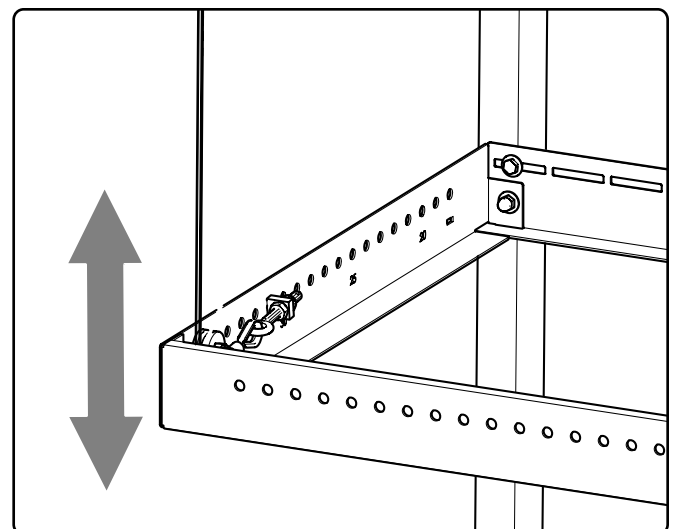
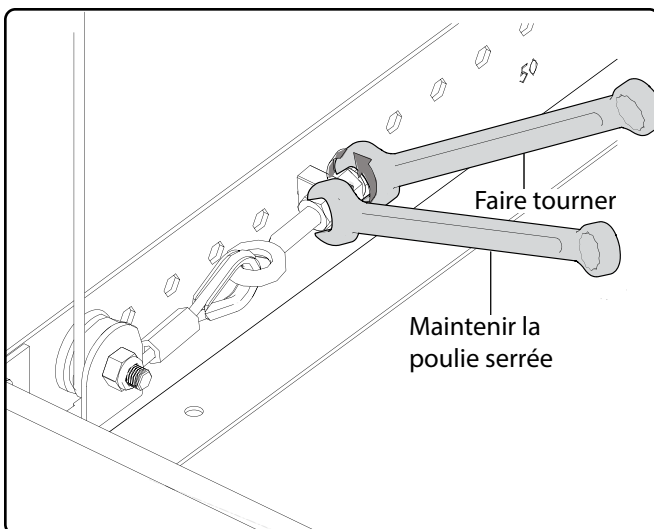


Mise à niveau de la plate-forme

- 20** Mesurez chaque côté du cadre inférieur de l'étagère murale Pro, à partir du plafond ou du sol. Veillez à ce que la plate-forme de l'étagère murale Pro soit de niveau de chaque côté.



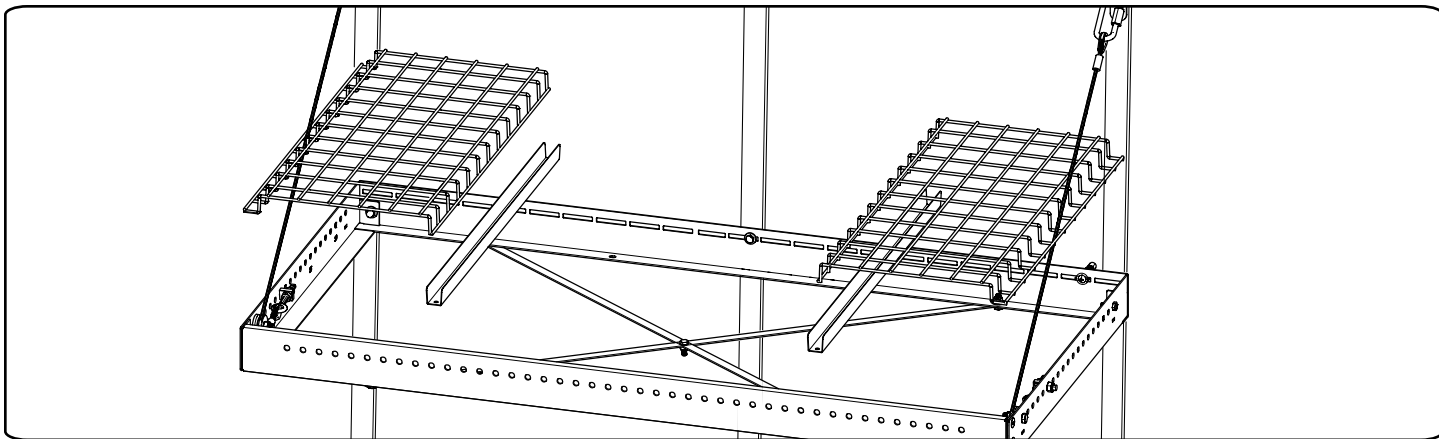
- 21** Si l'étagère murale Pro doit être mise à niveau, utilisez une clé pour maintenir la poulie serrée et tournez l'écrou installé à l'endroit le plus éloigné. Une rotation dans le sens inverse des aiguilles d'une montre permet de soulever la plate-forme.



Installation des supports de grilles et des grilles métalliques

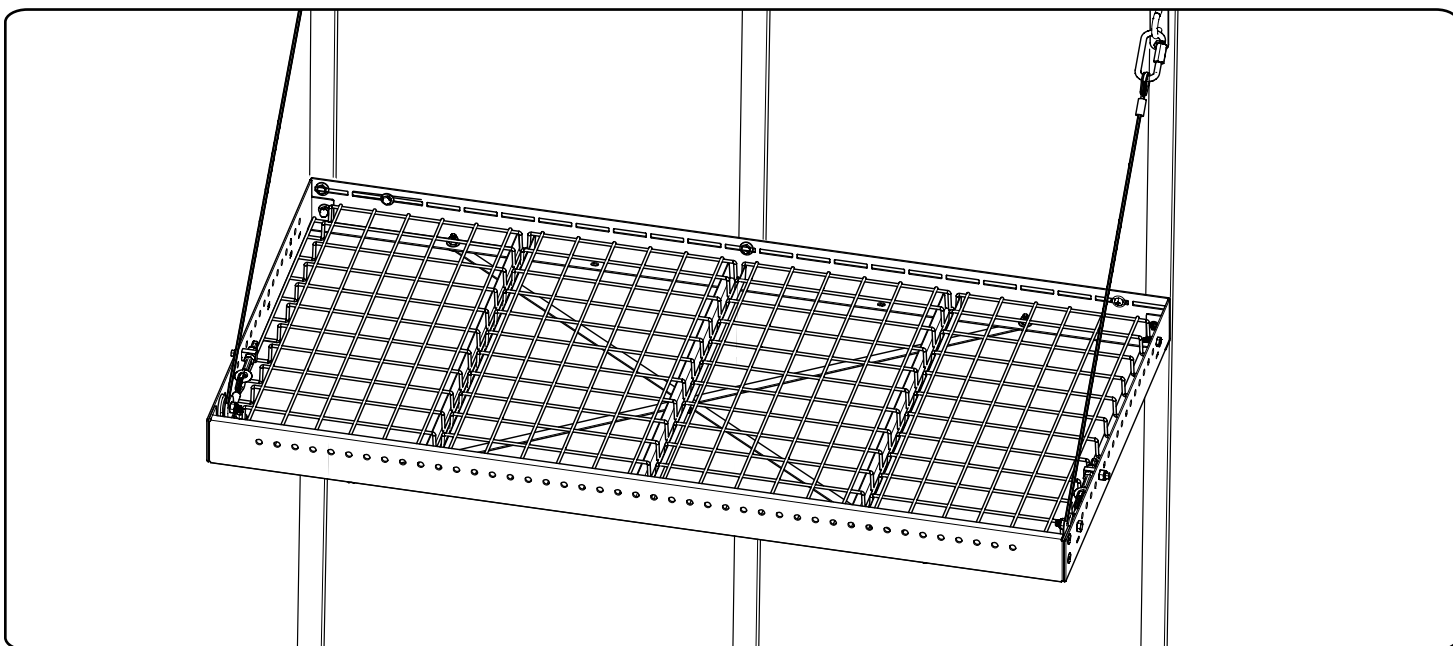
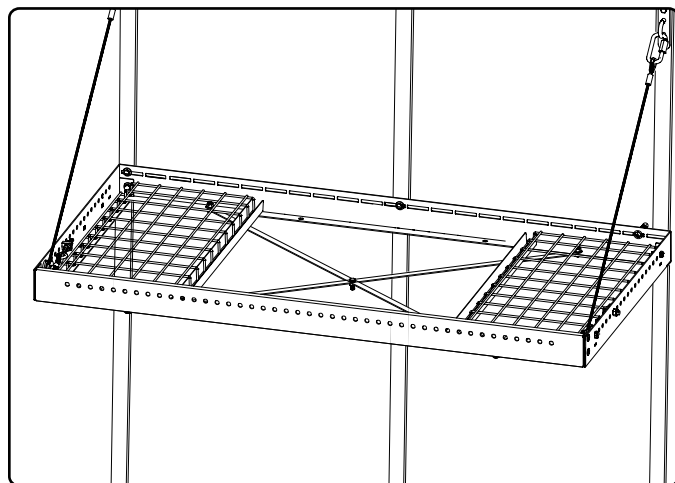
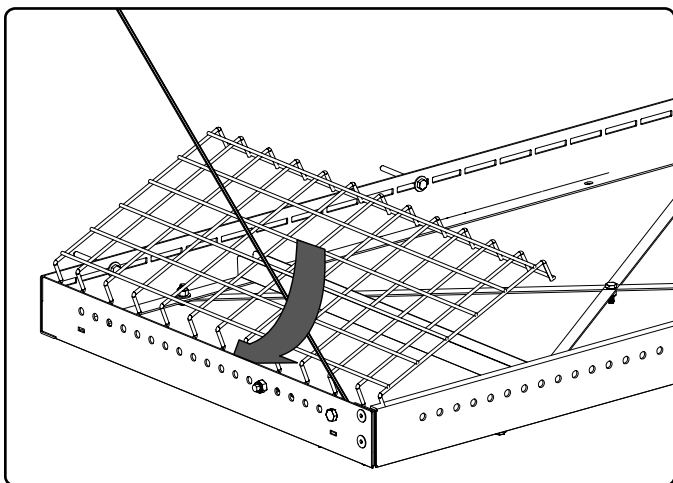
22

Commencez par les extrémités latérales des étagères murales et faites glisser la section de grille de finition de 2 pieds avec les bords pliés. Les bords pliés glissent sous la poulie et les câbles installés. Placez les supports de grille en forme de "U" de 2 pieds sous la grille métallique.



23

En vous déplaçant vers l'intérieur, placez les autres supports de grille en forme de "U" et les sections de grille sur l'étagère murale.



Fixation aux solives préfabriquées

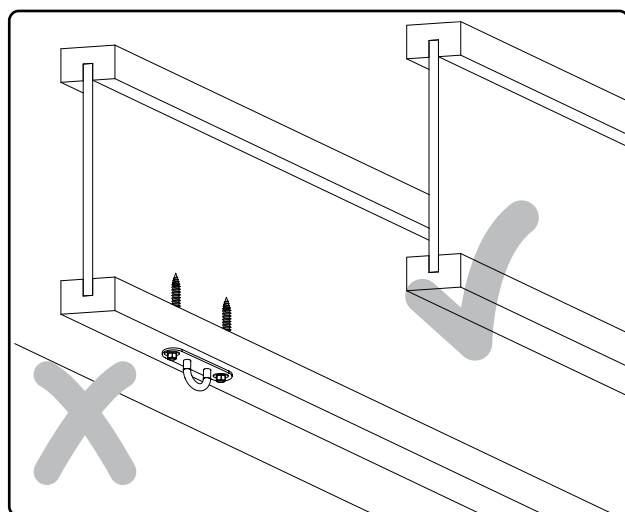
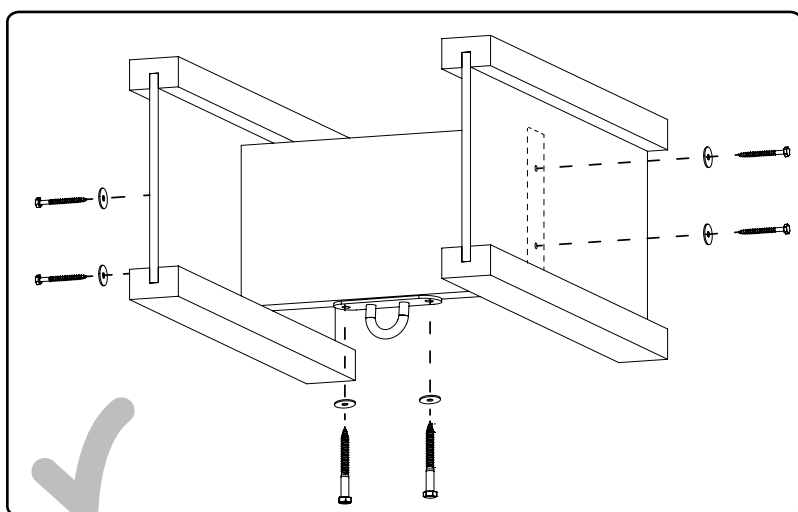


Avertissement :

les montants de plafond préfabriqués ne conviennent pas à la fixation directe des cornières de fixation au plafond.

Si la construction de votre plafond utilise des solives de plafond préfabriquées, vous devez installer une solive de plafond supplémentaire (minimum 2 po. x 8 po.) perpendiculairement entre deux des solives préfabriquées.

Installez deux solives de plafond en bois supplémentaires aux emplacements requis pour vos cornières de fixation au plafond en fonction de la taille et de l'orientation de l'étagère murale (solive de plafond et matériel non inclus)



Connexion verticale d'étagères murales

Assurez-vous qu'il y a suffisamment d'espace libre pour installer verticalement deux étagères murales Pro ensemble en calculant les hauteurs requises comme indiqué à la page 10.

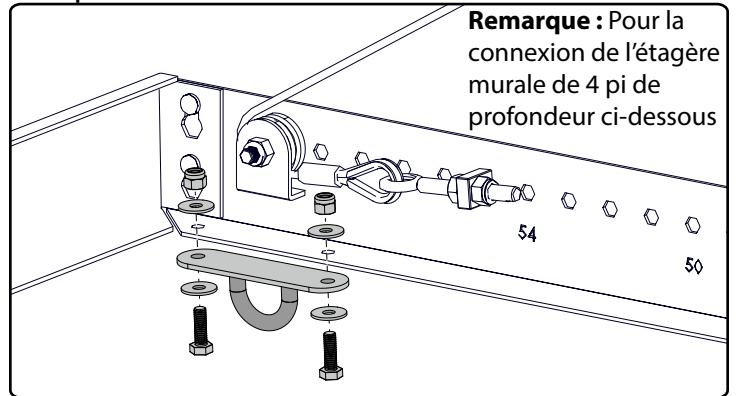
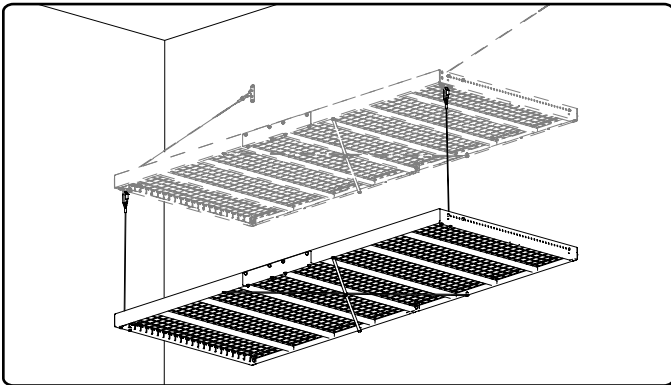
1

Installez l'étagère murale supérieure selon l'option A (fixation murale) ou l'option B (fixation au plafond). N'installez pas encore les grilles métalliques ou les supports de grilles métalliques.

Une fois que vous avez installé une seule étagère murale Pro, installez les plaques à œillets sur votre étagère murale supérieure selon le diagramme ci-dessous. Il peut être nécessaire de retirer les grilles d'extrémité pour accéder aux trous de fixation.

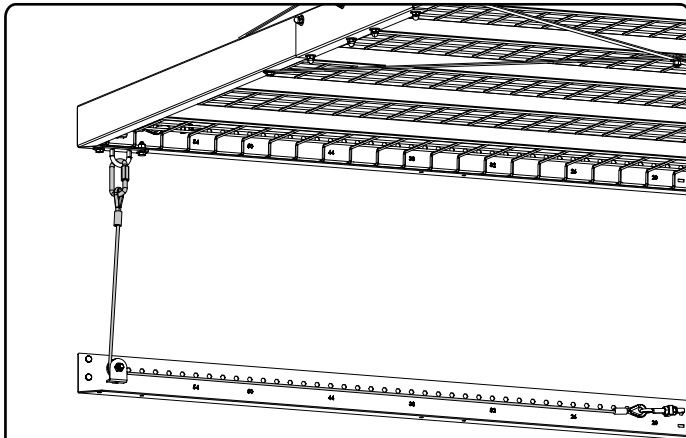
2

À l'aide de deux boulons hexagonaux de 1/4 de po., de quatre rondelles de 1/4 de po. et de deux écrous de blocage de 1/4 de po., boulonnez une plaque à œillets sur les trous de fixation les plus éloignés du mur. Répétez l'opération de l'autre côté.

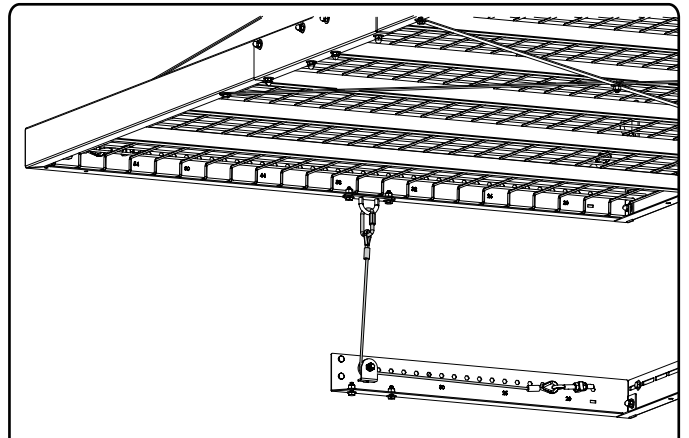


3

Poursuivez l'assemblage de l'étagère murale inférieure en suivant les étapes de l'option B.



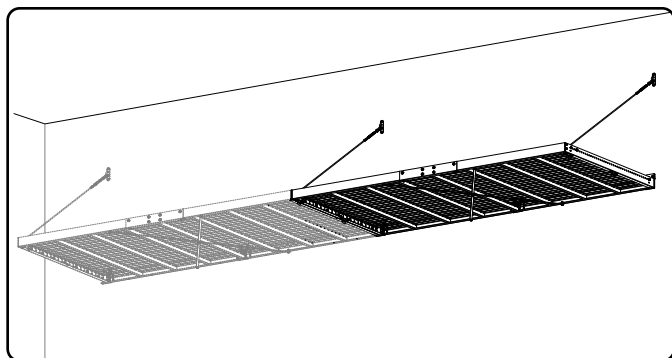
Remarque : Le schéma montre l'installation d'étagères murales de 4x8 pi. sur une étagère murale de 4 pi de profondeur.
Hauteur maximale - 54 pouces
Hauteur minimale - 18 pouces



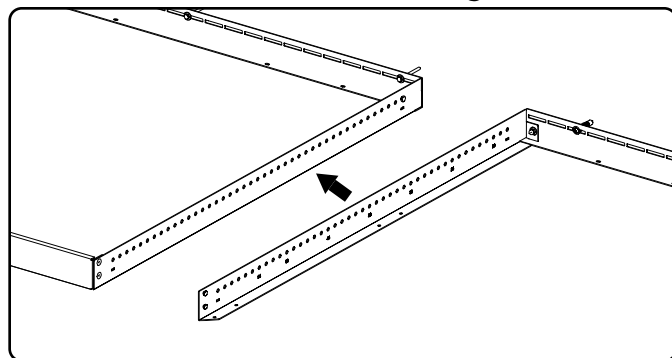
Remarque : Le schéma montre l'installation d'une étagère murale de 2 x 8 pieds de profondeur sur une étagère murale de 4 pieds de profondeur.
Hauteur maximale - 30 pouces
Hauteur minimale - 18 pouces

Connexion horizontale d'étagères murales

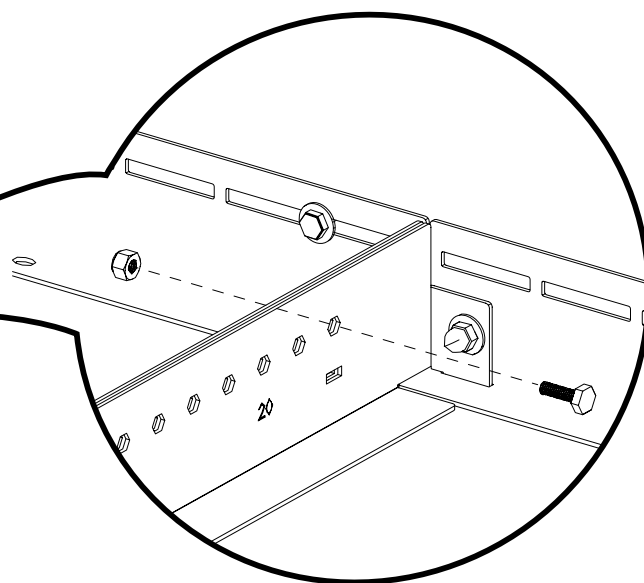
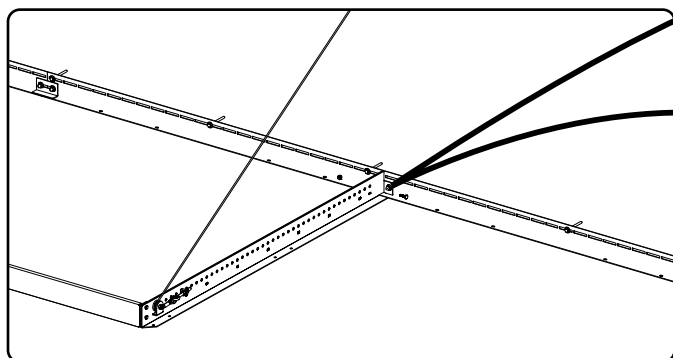
- 1** Assurez-vous qu'il y a suffisamment d'espace libre pour installer horizontalement deux étagères murales Pro en calculant la largeur.



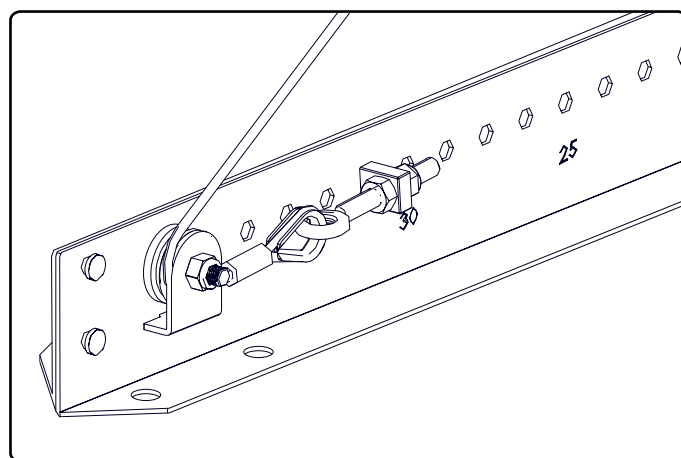
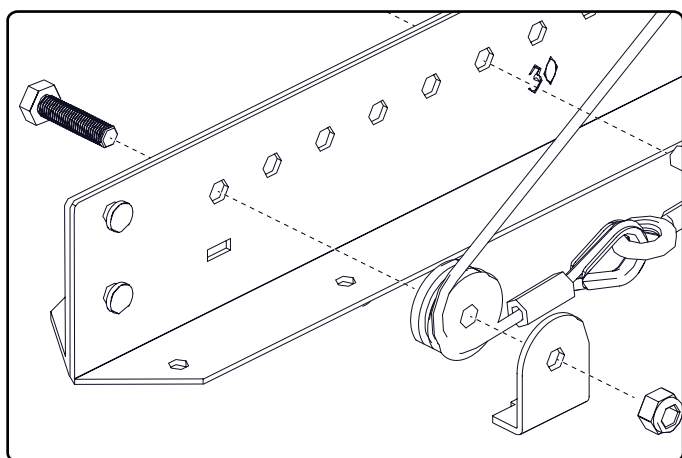
- 2** Suivez les étapes 1 à 10 de l'option A (fixation murale) ou de l'option B (fixation au plafond) pour assembler horizontalement deux étagères.



- 3** Veillez à ce que les deux poutres latérales soient fixées et reliées à l'aide de boulons de carrosserie.



- 4** Enroulez le câble autour de la poulie. Fixez la poulie et le capuchon du câble de poulie dans le 36^{ème} trou de la poutre latérale à l'aide d'un boulon hexagonal de 5/16 de po. et d'un écrou. Fixez l'extrémité du câble au 31^{ème} trou à l'aide d'un contre-écrou de 5/16 de po.



Connexion horizontale des étagères murales

Remarque : Un seul assemblage de câbles est nécessaire pour chaque paire de poutres périmétriques latérales.

- 5** Suivez les étapes 18 à 23 de l'option A (fixation murale) ou de l'option B (fixation au plafond) pour terminer l'assemblage.

