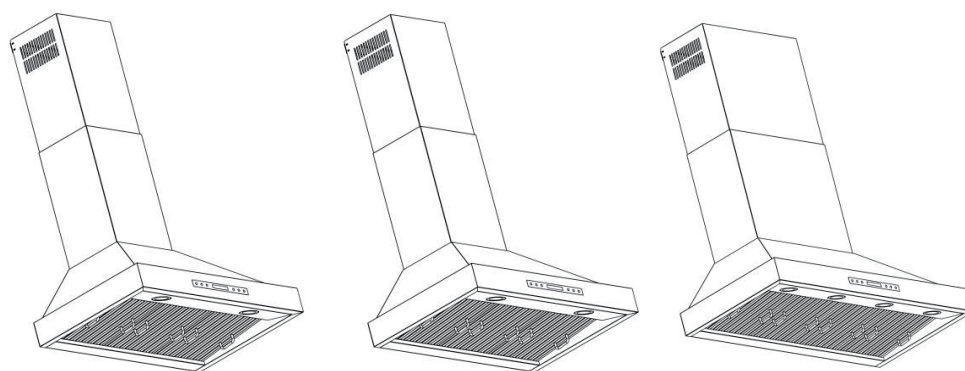


USE AND CARE MANUAL

RANGE HOOD

RH09M MODELS

KOS-30RH09M | KOS-36RH09M | KOS-48RH09M



KOSTCH

TABLE OF CONTENTS

TABLE OF CONTENTS	1
BEFORE YOU BEGIN	2
IMPORTANT NOTE TO THE CONSUMER	2
CALIFORNIA PROPOSITION 65 WARNING	2
IMPORTANT SAFETY INSTRUCTIONS	2
WARNING	2
DIMENSIONS	4
PARTS PROVIDED	5
RANGE HOOD INSTALLATION	7
INSTALLATION NOTES	7
Step 1- Mark the installation reference lines.	7
Step 2 - Install the Wall Mounting Bracket on the hood	8
Step 3 - Mount the Range Hood to the Wall	8
Step 4 – Install the Exhaust Outlet to the Hood	8
Step 5 – Connect the Aluminum Foil Duct	8
Step 6 – Install the Two-Piece Chimney Covers	9
Step 7 – Final Check	10
Step 8 – Install the Oil Cup and Grease Tray	10
Step 9 – Install the Filters	10
Safety Reminder	11
Ducting Installation Notes	11
CONTROL PANEL AND REMOTE CONTROL	12
POWER	12
Fan Speed	12
LED LIGHT	13
Quick Button (Only Remote Control)	13
Timer / Clock Setting	13
Delayed Shutdown	13
Remote Control – Battery Replacement	13
Replacing Batteries	13
TROUBLESHOOTING	14
CLEANING	15
Exterior Surfaces	15
Baffle Filter	15
WARRANTY	16

BEFORE YOU BEGIN

PLEASE READ THESE INSTRUCTIONS COMPLETELY AND CAREFULLY.

IMPORTANT NOTE TO THE CONSUMER

- Remove all packing materials from the range hood compartments before connecting the appliance to the electrical supply.
- Be sure to leave this manual with the consumer for future reference.
- Installation of this appliance requires basic mechanical skills. Proper installation is the responsibility of the installer.
- Product failure due to improper installation is not covered under the warranty.
- Please keep this user manual for future reference.
- As with any appliance that generates heat, certain safety precautions should be followed.
- Be sure your range hood is installed and grounded properly by a qualified installer or service technician.
- Make sure the wall coverings around the range hood can withstand the heat generated by the appliance.
- The distance between the bottom of the range hood and the cooking surface should be a minimum of 28 in (71 cm) for electric cooktops and 30 in (76.2 cm) for gas cooktops.

CALIFORNIA PROPOSITION 65 WARNING

WARNING: This product can expose you to chemicals including **nickel**, which is known to the State of California to cause cancer. For more information, go to www.P65Warnings.ca.gov

IMPORTANT SAFETY INSTRUCTIONS

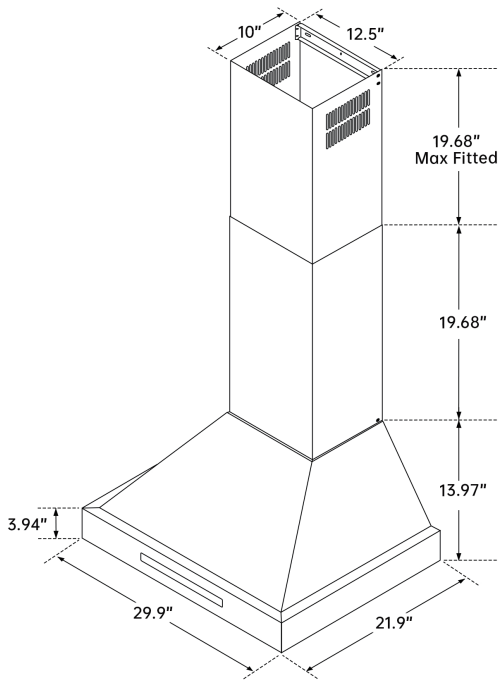
WARNING: TO REDUCE THE RISK OF FIRE, ELECTRIC SHOCK, OR INJURY TO PERSONS, PLEASE READ CAREFULLY THE FOLLOWING INSTRUCTIONS:

- These instructions are intended for **qualified installers and certified service technicians**. Installation and electrical wiring must be performed by qualified professionals in accordance with applicable codes and standards.
- **DO NOT attempt to install this hood yourself.** Improper installation may result in injury due to lack of appropriate electrical and technical knowledge.
- Young children should be supervised to ensure they do not play with the appliance.
- The installer should leave these instructions with the consumer for **local inspectors' use** and for future reference.
- Due to the size and weight of this range hood, **two-person installation** is highly recommended.
- The manufacturer is not responsible for damage to property or personal injury caused by incorrect

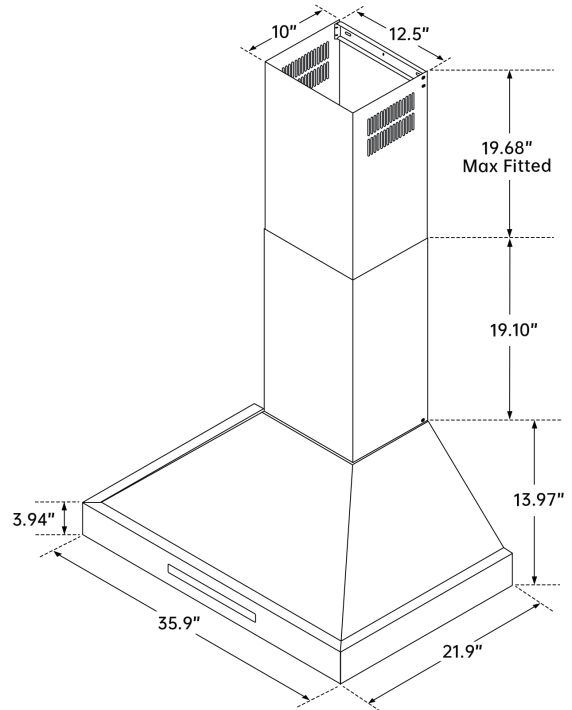
installation, improper use, or failure to follow these instructions.

- This range hood is designed for **indoor use** only and must be installed in a **dry location**.
- This appliance is for **general ventilating use only**.
- **DO NOT** use it to exhaust hazardous or explosive materials or vapors.
- To reduce the risk of fire and ensure proper airflow, **vent air outdoors only**.
- Do not vent exhaust into wall cavities, crawl spaces, ceilings, attics, or garages.
- Sufficient air is required for proper combustion and exhausting of gases to prevent **back drafting**.
- Follow the heating equipment manufacturer's guidelines and safety standards such as those published by: NFPA (National Fire Protection Association), ASHRAE (American Society of Heating, Refrigerating and Air-Conditioning Engineers), and local code authorities.
- When cutting or drilling into walls or ceilings, be careful of **electrical wiring, plumbing, and other utilities**.
- Disconnect the power supply before servicing or cleaning the unit to avoid electric shock.
- **DO NOT remove filters** while the hood is operating.
- All electrical wiring must be properly installed, insulated, and grounded.
- All ducting must comply with **local building and gas codes**.
- Accessible parts may become **hot** when used with cooking appliances.
- Old ductwork is not recommended. Replace it if necessary to reduce the risk of grease fire.
- All duct joints must be properly sealed with tape.
- If the power supply cord is damaged, it must be replaced by the manufacturer, its service agent, or a qualified technician.
- Keep the unit powered **off** during installation.
- A grounded power outlet should be located within **40 inches (102 cm)** of the power cord exit.
- When cleaning with spray cleaners, **do not spray directly** onto electrical wiring, the motor, control panel, or light bulbs.
- Inspect the appliance for damage upon delivery.
- Once accepted, the owner assumes responsibility for its condition.
- Before installation, test the hood by plugging it in and checking the fan and lights.
- Do not install if parts are missing or damaged.
- If the unit arrives damaged, contact **KOSTCH Customer Service at service@kostch.com**

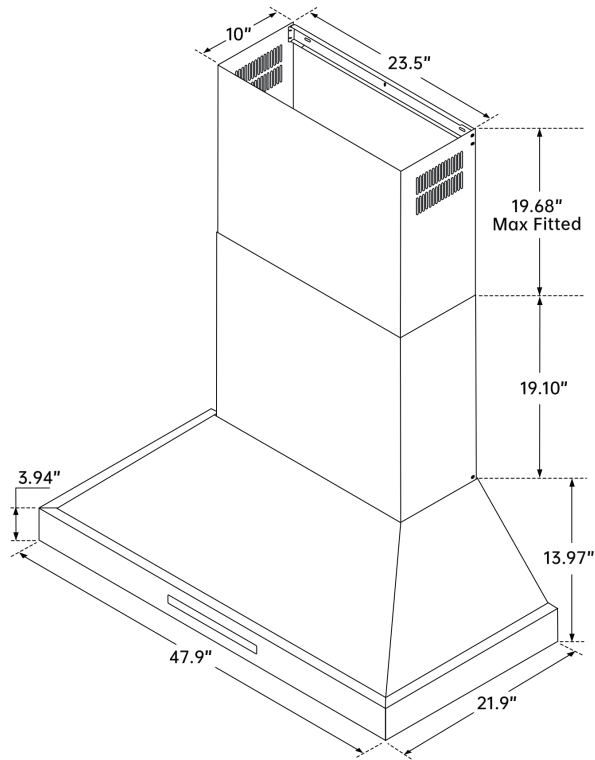
DIMENSIONS



KOS-30RH09M








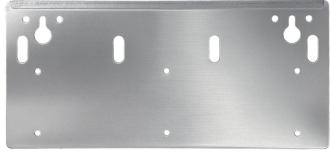





KOS-36RH09M



KOS-48RH09M

PARTS PROVIDED

Name	QTY (PCS)	Picture
Main Hood With Lights and Control Panel Pre-installed	1	
Upper Chimney Cover	1	
Lower Chimney Cover	1	
Aluminum Foil Duct	30/36inch:1; 48inch:2	
Exhaust Outlet	30/36inch:1; 48inch:2	
Grease Tray	30/36inch:1; 48inch:2	
Oil Cup	30/36inch:1; 48inch:2	
Filter	30inch:2; 36inch:3; 48inch:4	

Chimney Mounting Bracket B (Upper Chimney Cover)	1	
Chimney Mounting Bracket A (Lower Chimney Cover)	1	
Filter Handle	30inch:4; 36inch:6; 48inch:8	
Mounting Bracket	1	
Wall Anchors	30/36inch:10; 48inch:12	
ST4x6 (Aluminum Foil Duct Screws)	30/36inch:2; 48inch:4	
M4x8A (Chimney Cover and Mounting Bracket Self-tapping Screw)	30/36inch:14; 48inch:16	
M4*8B (Filter Handle Screw)	30inch:8; 36inch:12; 48inch:16	
M4*16 (Exhaust Outlet Screws)	30/36inch:6; 48inch:12	

RANGE HOOD INSTALLATION

INSTALLATION NOTES

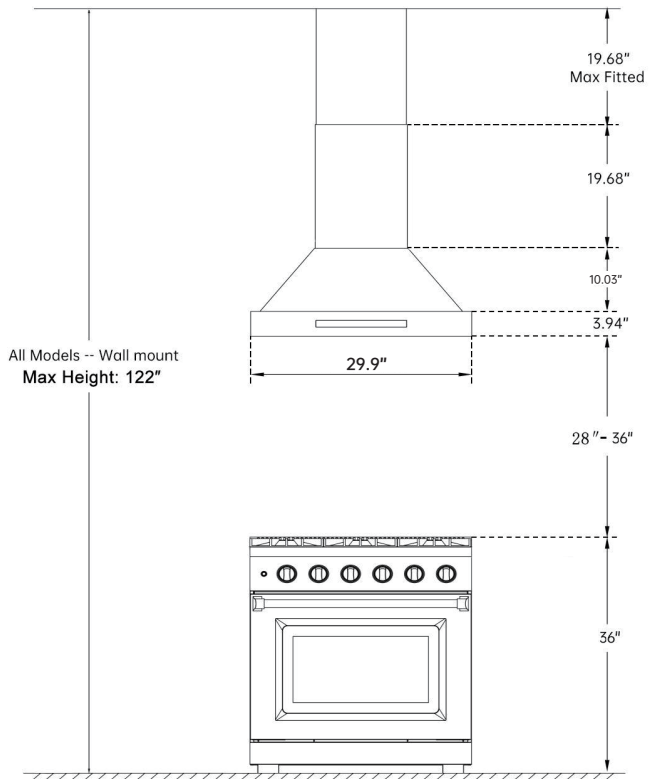
Use only the power cord and connection kits provided or specified for use with this range hood. **DO NOT** use extension cords or unapproved electrical accessories.

Note 1: Carefully remove the plastic protective film from all exterior surfaces of the hood, filters, and chimney covers before installation.

Note 2: At least **two people are required** to safely mount and install this product due to its size and weight.

Note 3: The recommended **minimum** installation height is:

- 28 inches above an electric cooktop
- 30 inches above a gas cooktop



Step 1- Mark the installation reference lines.

- Measure the width of the range hood and locate the center point above the cooktop.
- Draw a vertical center line on the wall directly above the center of the electric or gas range.
- Draw a horizontal line 28-30 inches above an electric cooktop or 30-32 inches above a gas cooktop.
- These reference lines ensure the range hood is centered and installed at the correct height. Figure 1

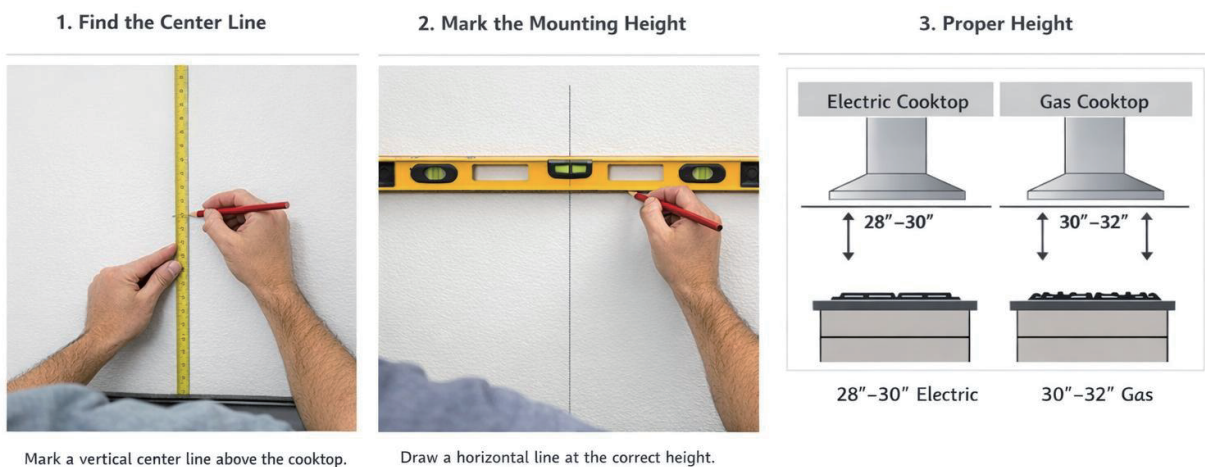


Figure 1

Step 2 - Install the Wall Mounting Bracket on the hood

- Place the range hood on a flat, protected surface.
- Install the mounting bracket by securing it with the provided self-tapping screws (M4 × 8A).
- Make sure the bracket is firmly attached and properly aligned. Figure 2

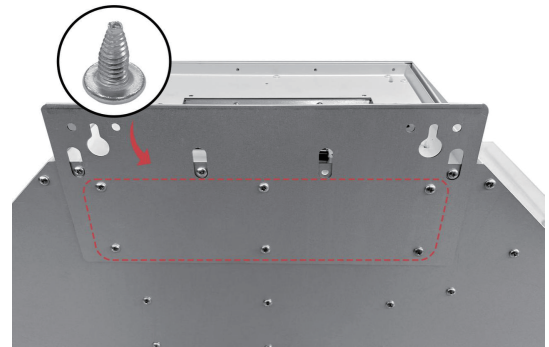


Figure 2

Step 3 - Mount the Range Hood to the Wall

- Hold the range hood against the wall at the marked installation height.
- Use a level to ensure the hood is straight.
- Mark the wall anchor hole locations through the mounting bracket.
- Drill holes and insert the **wall anchors**.
- Hang the hood on the installed **wall anchors**.
- Secure the range hood to the wall using the provided **screws & wall anchors**.
- Confirm the hood is firmly mounted and stable. Figure 3

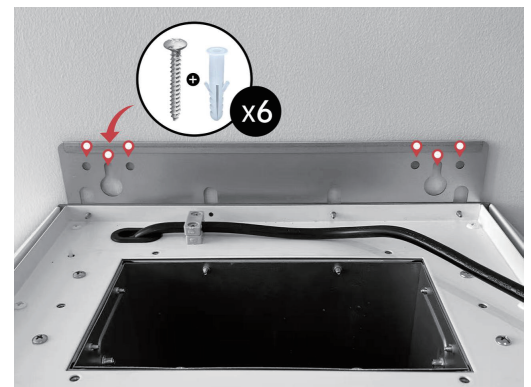


Figure 3

Step 4 – Install the Exhaust Outlet to the Hood

- Install the exhaust outlet on the top of the hood by securing it with screws (M4*16) provided.
- Make sure the exhaust outlet is sealed properly.
- Ensure the exhaust outlet is oriented in the correct **direction as shown in Figure 4**.

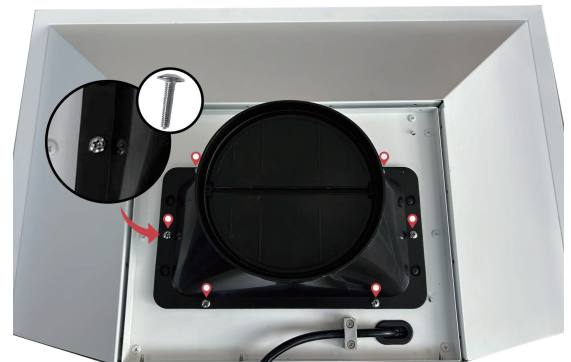


Figure 4

Step 5 – Connect the Aluminum Foil Duct

- Attach the duct to the exhaust outlet using screws ST4x6. Figure 5
- Route the duct to the exterior vent opening.
- Avoid sharp bends to ensure proper airflow. (Refer to the ducting notes on page 11 for more details)

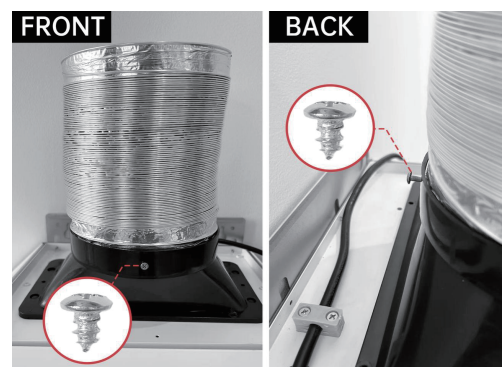


Figure 5

Step 6 – Install the Two-Piece Chimney Covers

- Install **Chimney Mounting Bracket A** onto the lower chimney cover using the provided screws (**M4x8A**). Figure 6
- Place the lower chimney cover on top of the range hood and mark the wall anchor hole locations. Figure 7
- Drill the holes and insert the provided **wall anchors**.
- Slide the upper chimney cover into the lower chimney cover.
- Position both chimney covers on top of the range hood.
- Secure the lower chimney cover to the wall using the provided **Wall Anchors**.

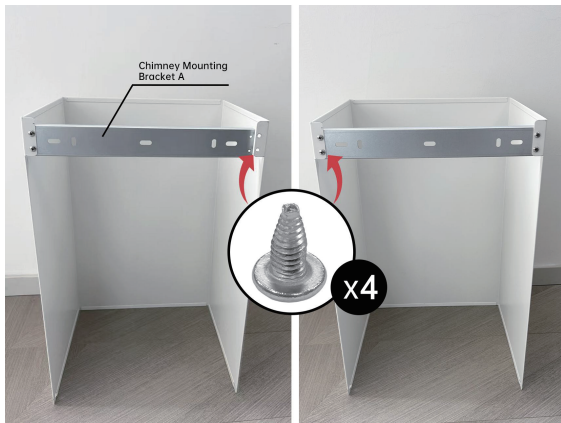


Figure 6

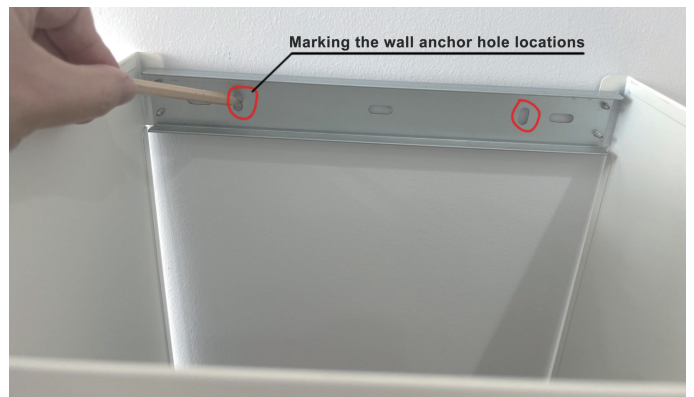


Figure 7

- Install the **upper chimney mounting bracket B** on the wall, leaving **at least 0.5 inch (13 mm)** clearance from the ceiling. Figure 8
- Extend the upper chimney cover upward and **secure it on both sides** using the provided screws (**M4x8A**). Figure 9
- Ensure both chimney covers are straight, properly aligned, and securely fixed.

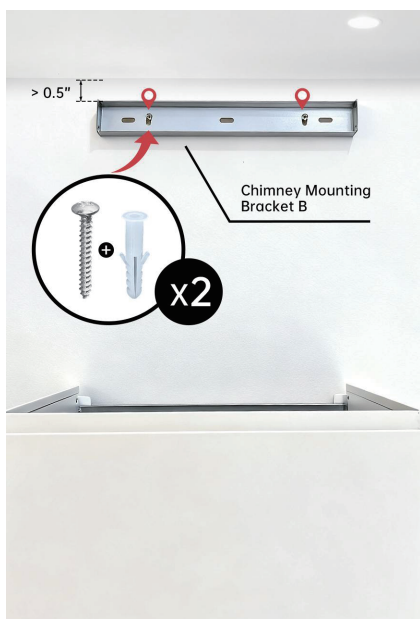


Figure 8

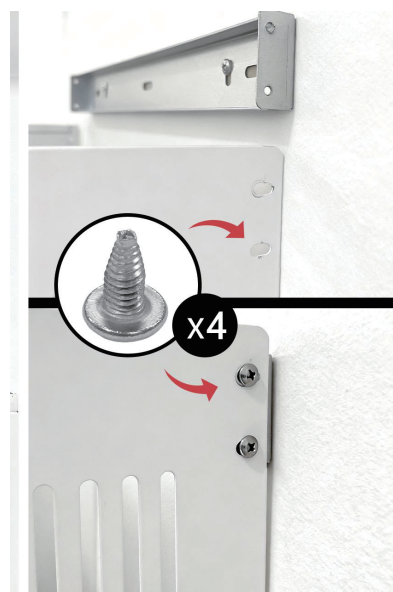


Figure 9

Step 7 – Final Check

- Ensure all screws are tightened securely.
- Confirm the hood and chimney covers are properly aligned.
- Restore power and test the fan and lights.

Step 8 – Install the Oil Cup and Grease Tray

- Insert the plastic oil cup into the motor area, align the slots, and press until it clicks into place.
- Place the stainless steel grease tray at the back of the range hood. Figure 10 & 11

Note: Empty and clean the grease tray and oil cup regularly to prevent buildup.

Figure 10

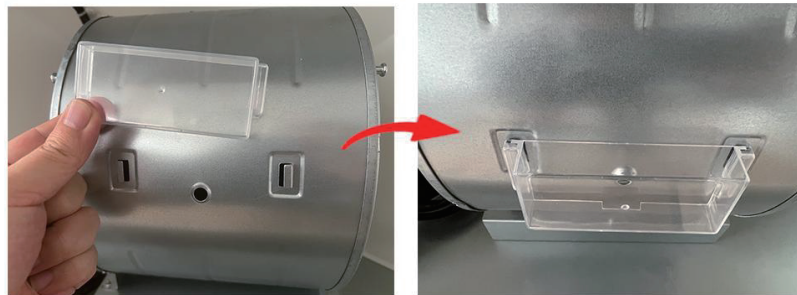


Figure 11



Step 9 – Install the Filters

- Attach the filter handle to the filter.
- Insert the filter into the range hood and ensure it is fully seated. Figure 12



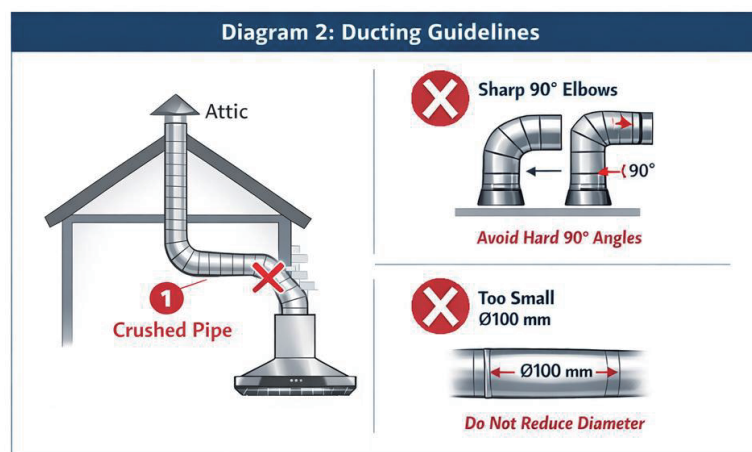
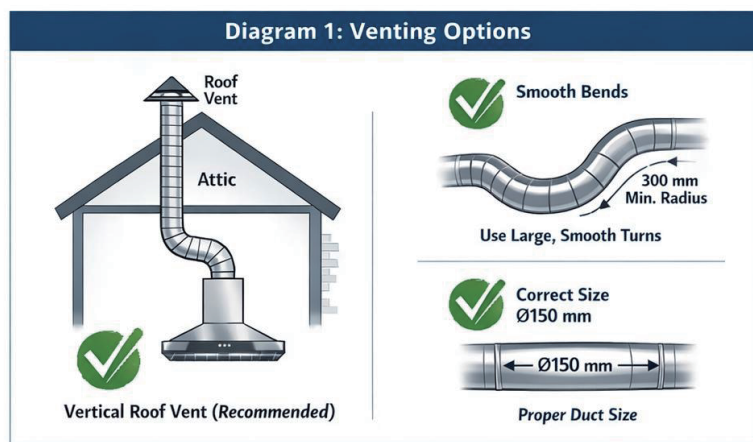
Figure 12

Safety Reminder

- Plug the 3-prong grounded power cord (length: 1.1 m / 43 in) into a properly grounded 120V AC outlet within 40 inches of the cord exit.
- Do not use extension cords or power strips, and make sure the cord is not pinched, stretched, or in contact with sharp edges or hot surfaces.
- Two people are required for installation.
- Turn off power before installation.
- Vent air outdoors only.
- Follow all local electrical and building codes.

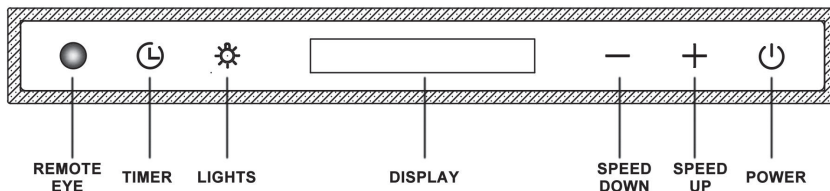
Ducting Installation Notes

- The 2m ducting is provided with your KOSTCH range hood, please install it properly on your hood.
- The range hood must be ducted to an external exit point to ensure it operates and complies with local and national regulations. Vertical exit through the roof is highly recommended to provide the best performance (See Diagram 1).
- Avoid 90° elbows in the duct – Aim for smooth turns with a minimum radius of 300mm, ideally at least twice the duct's diameter (148mm) (See Diagram 2).
- Each fan motor must be ducted separately (do not combine to a single outlet).
- Do not reduce the duct size smaller than Ø150mm.
- The Total length of the duct hose is recommended to be less than 4m.
- Do not crush, compress or deform the duct.

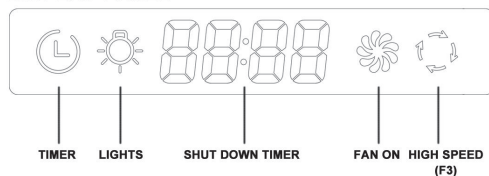


CONTROL PANEL AND REMOTE CONTROL

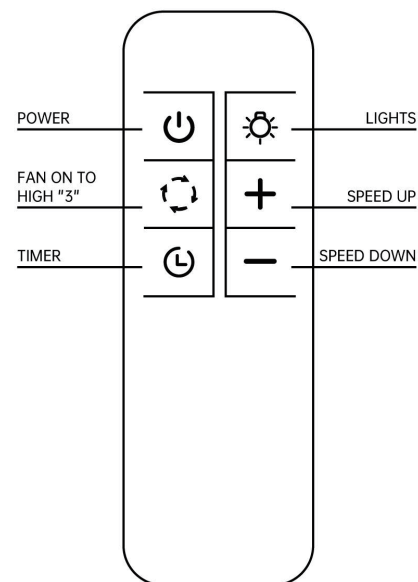
CONTROL PANEL



DISPLAY PANEL



REMOTE CONTROL



OPERATION

Note: The control panel and remote control operate in the same way.

POWER

- Press the **POWER** button to turn the range hood on.
- The display backlight will illuminate and the power icon will appear.
- Press again to turn off all functions.

Fan Speed

Fan Speed Down (-)

- First tap: LED displays F3, blower runs at high speed.
- Second tap: LED displays F2, blower runs at medium speed.
- Third tap: LED displays F1, blower runs at low speed.
- Tap again at F1: blower stops.

Fan Speed Up (+)

- First tap: LED displays F1, blower runs at low speed.
- Second tap: LED displays F2, blower runs at medium speed.
- Third tap: LED displays F3, blower runs at high speed.
- Tap again at F3: blower stops.

Note: When the blower is active, the fan icon rotates at the corresponding speed. The Increase and Decrease

buttons indicators remain lit.

LED LIGHT

- Press the **LIGHT** button to turn on the LED lights. The light icon appears on the display.
- Press again to turn off the lights.
- The lights can be controlled independently, but will also turn off when the power button is pressed.
- To set the 12/24-hour time format, press and hold the light button. The display will flash "12h" / "24h".
- After 3 seconds, the selected format is saved. The clock must be readjusted after each format change. The unit defaults to 12-hour format after a full power loss.

Quick Button (Only Remote Control)

- Press Quick once to activate maximum speed (F3). The LCD shows the quick-speed icon and fast-spinning fan.
- Press again to stop the blower.

Timer / Clock Setting

- Setting the Clock
- Press and hold the Timer button for 3 seconds when the unit is off.
- The hour digits flash. Use – / + to adjust hours. Tap to change by 1; hold to change continuously.
- Press the **TIMER** button once to switch to minutes. Adjust with – / +.
- Save settings by pressing **TIMER**, **POWER**, or waiting 5 seconds without input.

Delayed Shutdown

- When a fan speed is active, press **TIMER** once to activate delayed shutdown (default 3 minutes). Countdown displays on the screen; indicator flashes.
- Press again to reset the timer to 3 minutes.
- When no fan is running, pressing **TIMER** sets a quick delayed shutdown after powering off (default F1 speed + 3-minute delay).

Remote Control – Battery Replacement

WARNING: Keep batteries out of reach of children. Swallowing can cause serious injury or death. If ingestion occurs, call the Poison Information Centre immediately: 13 11 26.

Replacing Batteries (AAA ×2, not included):

- Turn the remote over and slide down the cover.
- Remove old batteries and dispose of safely.
- Insert new batteries following polarity markings.

Slide cover back into place securely

TROUBLESHOOTING

ISSUE	POSSIBLE CAUSE	SOLUTION
Range hood and the light don't work after turning on it.	<ul style="list-style-type: none"> a. Power plug isn't inserted properly. b. The light is broken. c. Power cord is poorly connected. d. Transformer is damaged. 	<ul style="list-style-type: none"> a. Make sure that range hood is plugged into powered outlet. Test outlet with other device if not working. b. Replace the lighting lamp. c&d. Contact KOSTCH service center
Light works but motor doesn't work.	<ul style="list-style-type: none"> a. Rotor is stuck b. Motor is damaged 	<ul style="list-style-type: none"> a. Check the rotor b. Contact KOSTCH service center
Range hood shakes	<ul style="list-style-type: none"> a. Installation is not secure. b. Motor is loose. c. Rotor is damaged causing imbalance. 	<ul style="list-style-type: none"> a. Check and make sure the Mounting Bracket and the hood is securely mounted. b. Turn off the power and remove the filter and check that all screws are secure and tight around the motor. c. Contact KOSTCH service center
Range hood is noisy	<ul style="list-style-type: none"> a. The motor is loose. b. The duct work connection is loose. 	<ul style="list-style-type: none"> a. Turn off the power and remove the filter and check that all screws are secure and tight around the motor. b. Turn off the power to the unit and check that the duct work connection to the pipe is tight. Add duct tape if necessary.
Poor smoke extraction	<ul style="list-style-type: none"> a. The range hood and cooktop are too far away from each other. b. There is strong airflow around the unit. c. The filter is too thick with dirt 	<ul style="list-style-type: none"> a. The range hood and cooktop are too far away from each other. b. Close properly the windows. c. Clean the filter.

CLEANING

IMPORTANT: Proper maintenance of the Range Hood will assure proper performance of the unit. Always disconnect the power before performing any cleaning or maintenance..

Exterior Surfaces

Routine Cleaning: Use warm water with mild soap or detergent. Rinse thoroughly with clean water and wipe dry with a soft cloth to prevent water spots.

Stubborn Stains: Apply a non-abrasive household cleaner or stainless steel polishing paste with a damp soft cloth. Rub gently along the polish lines or grain of the steel.

Heavy Buildup: Use a plastic scouring pad or soft brush with cleaner and water. Rub lightly along the grain—avoid excessive pressure to prevent surface damage.

What to Avoid:

Do not use steel wool, steel brushes, or abrasive pads, which would scratch and cause rust.

Do not allow harsh chemicals to remain in contact with the stainless steel.

Do not use strong cleaners on painted surfaces—only warm water and mild detergent.

Baffle Filter

- Lift latch and gently pull down front of baffle filter and remove.
- Wash the filter by warm soapy water and a soft cloth or put into dishwasher on a 'normal' cycle. Thoroughly clean and wipe down the inside of Range hood canopy.
- Position the rear of the baffle filter into the 2 slots, and gently rotate the baffle filter into position, lift latch and push into place and release latch.

WARRANTY

WARRANTY & SERVICE

This product has been manufactured by Shanghai Hanyi E-commerce Co., Ltd.

Rm. 502-16, No.27 Meisheng Rd. China [Shanghai] Pilot Free Trade Zone Shanghai
CHINA 200131

For the most up to date warranty and service policy, please refer to our website
www.kostch.com/warranty-services/

For in-warranty service requests, please visit our website at
www.kostch.com/process-warranty/

Please Note: You must provide proof of purchase & installation date for any in-warranty
service requests

KOSTCH



Warranty Notification:

KOSTCH Appliance is designed for Single Family Residential Personal Use.

If your KOSTCH product is used in any setting other than a single-family residence, it will be considered commercial usage. For commercial use, the product is covered by a 6-month warranty for parts and labor from the date of purchase.

(For products that normally include parts-and-labor coverage, only the parts warranty applies for commercial use.)

For any warranty inquiries, please contact:

service@kostch.com