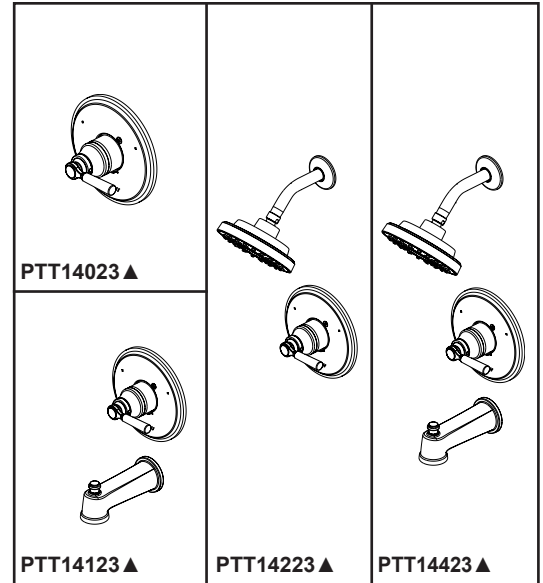
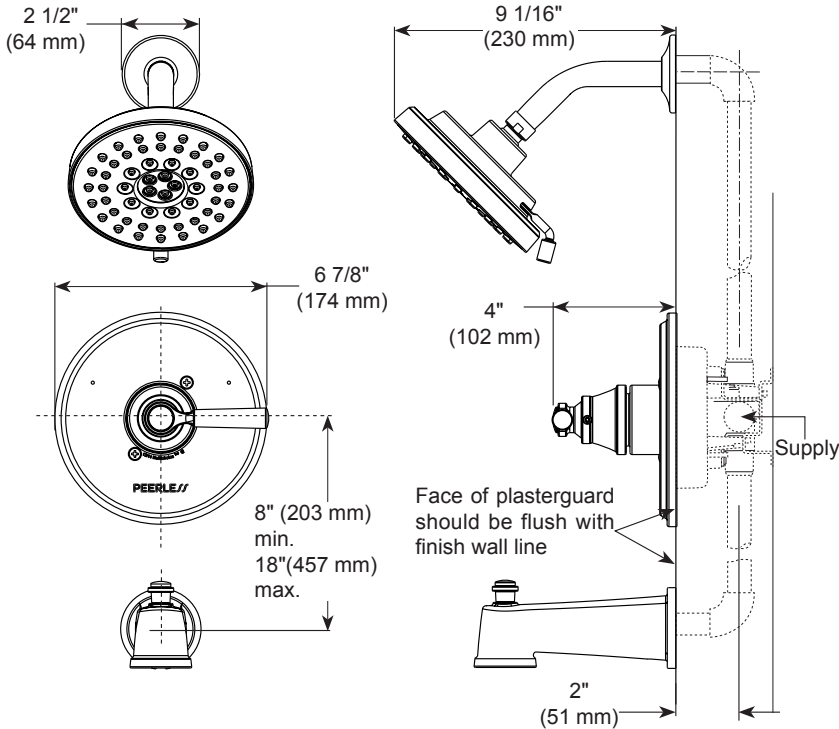


PEERLESS®

PTT14023▲
PTT14123▲
PTT14223▲
PTT14423▲



TUB AND SHOWER FAUCET TRIM

- Westchester® Collection
- Valve Only (PTT14023▲)
- Tub Only (PTT14123▲)
- Shower Only (PTT14223▲)
- Tub/Shower (PTT14423▲)

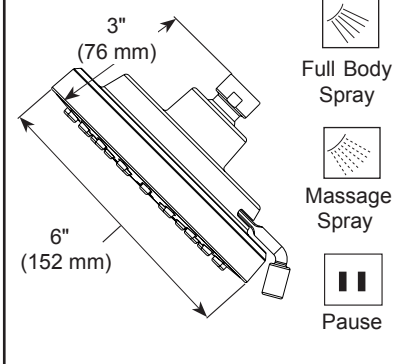
STANDARD SPECIFICATIONS:

- Maintains a balanced pressure of hot and cold water even when a valve is turned on or off elsewhere in the system.
- For use with MultiChoice® Universal rough valve body (R10000 Series); not included.
- Back-to-back installation capability.
- Temperature only controlled with handle rotating a maximum of 120° from full cold to the full hot.
- Cartridge utilise integral check valve to prevent the cross flow of water within the valve.
- Shower head maximum flow rate 1.5 gpm @ 80 psi, 5.7 L/min @ 550 kPa.
- Easy-turn 3-spray setting shower head.
- Slip-on tub spout.

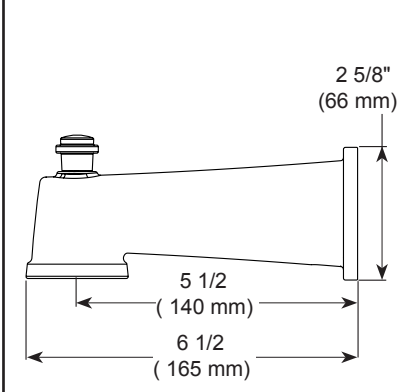
WARRANTY:

- Parts and Finish - Lifetime limited warranty; or for commercial purchasers, 10 years for multi-family residential (apartments and condominiums) and 5 years for all other commercial uses, in each case from the date of purchase.

RP100289▲ -1.5 (1.5 GPM)
RP100289▲ (1.75 GPM)



RP100288▲



▲ Designate proper finish suffix

PSP-B-PTT14023 Rev. C



COMPLIES WITH

- ASME A112.18.1 / CSA B125.1
- EPA WaterSense® - Applies to PTT14223 & PTT14423 only
- ♿ Indicates compliance to ICC/ANSI A117.1 - Valve control only