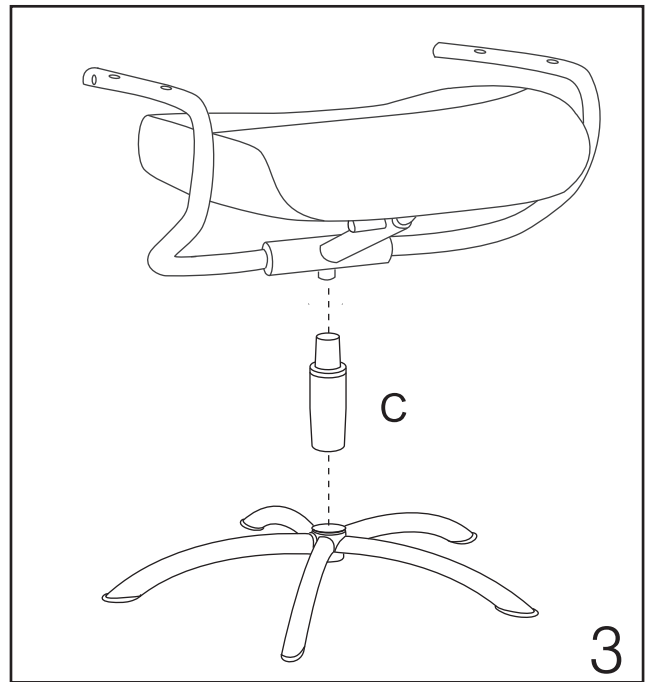
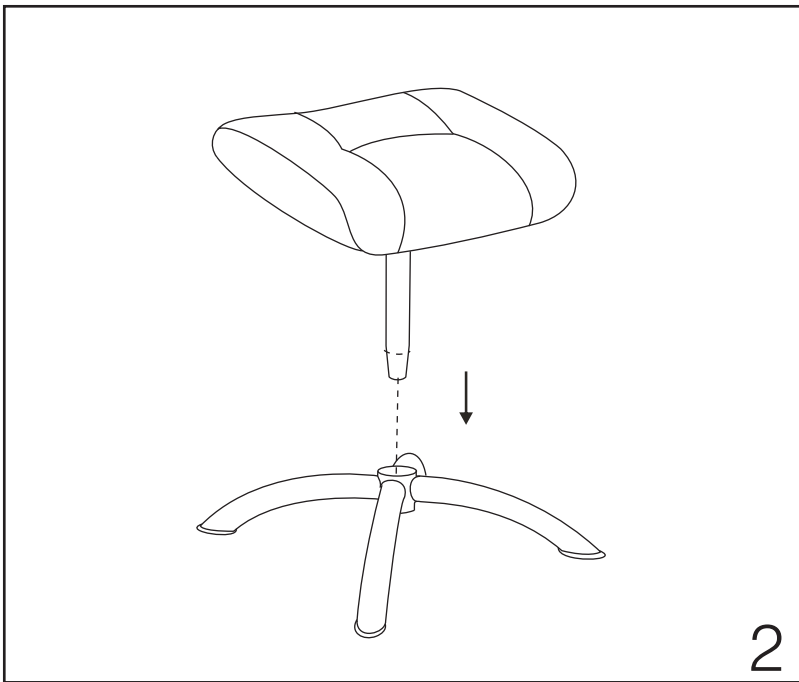
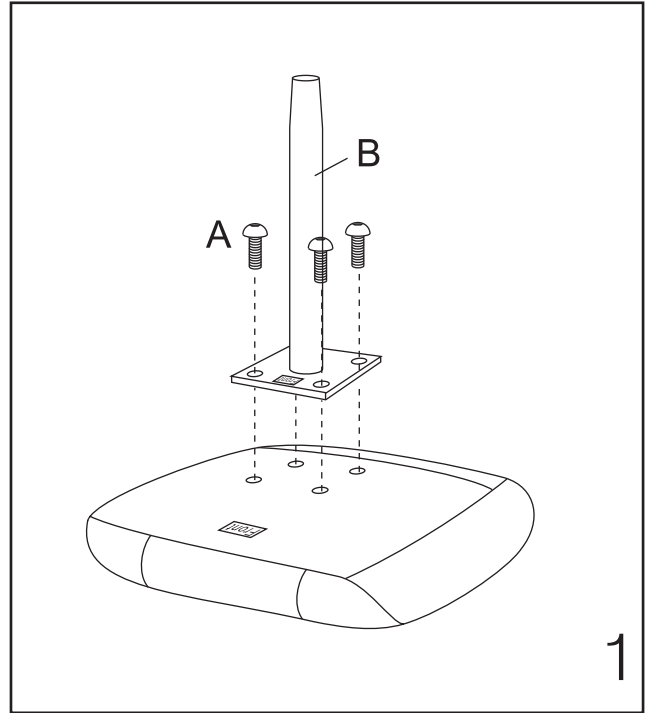
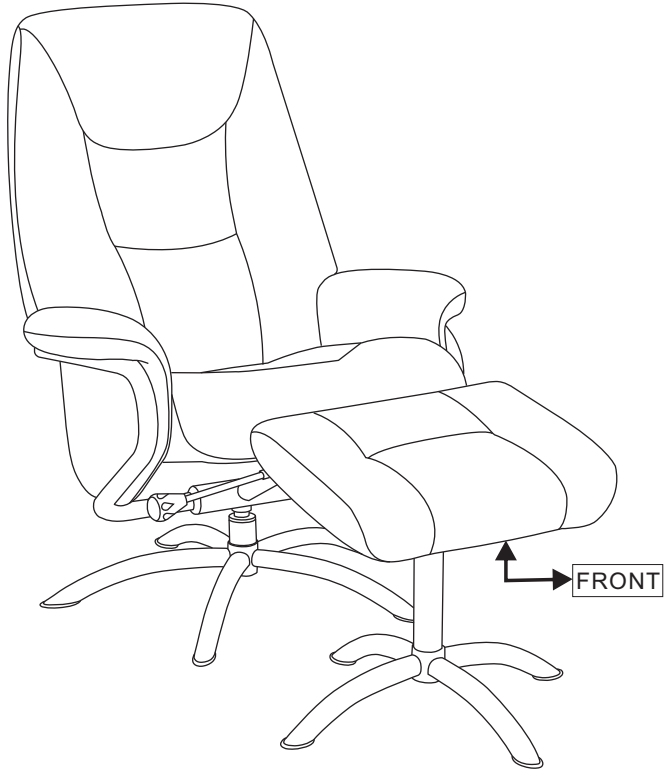
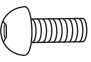
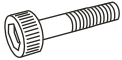


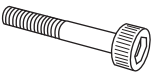




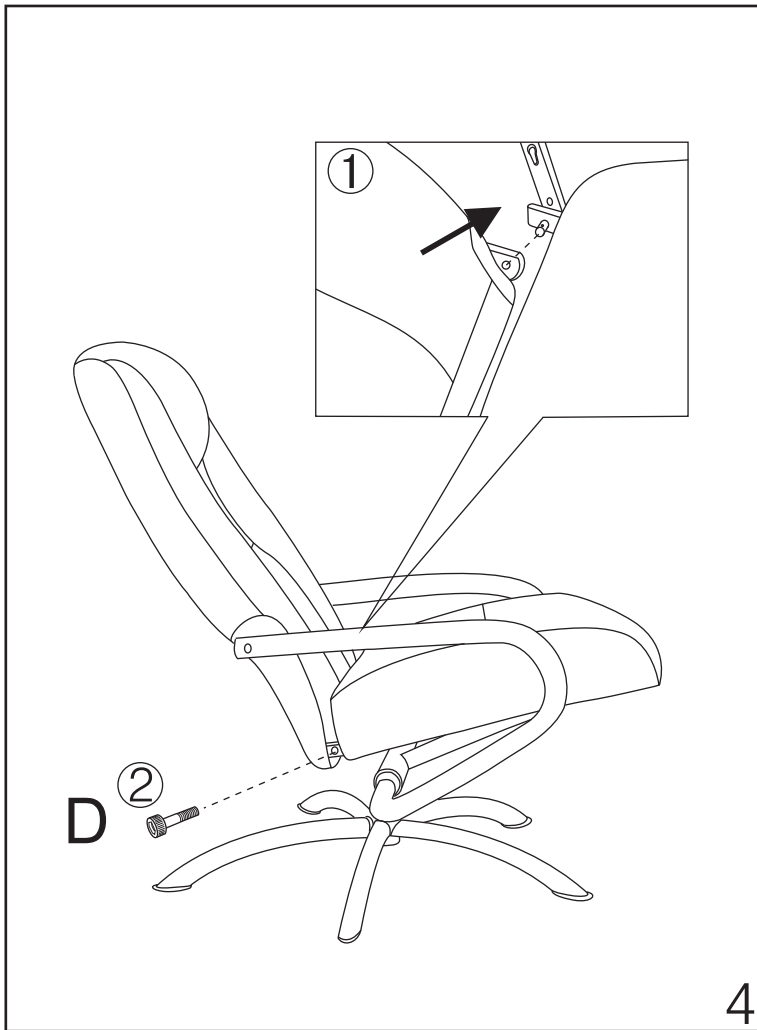




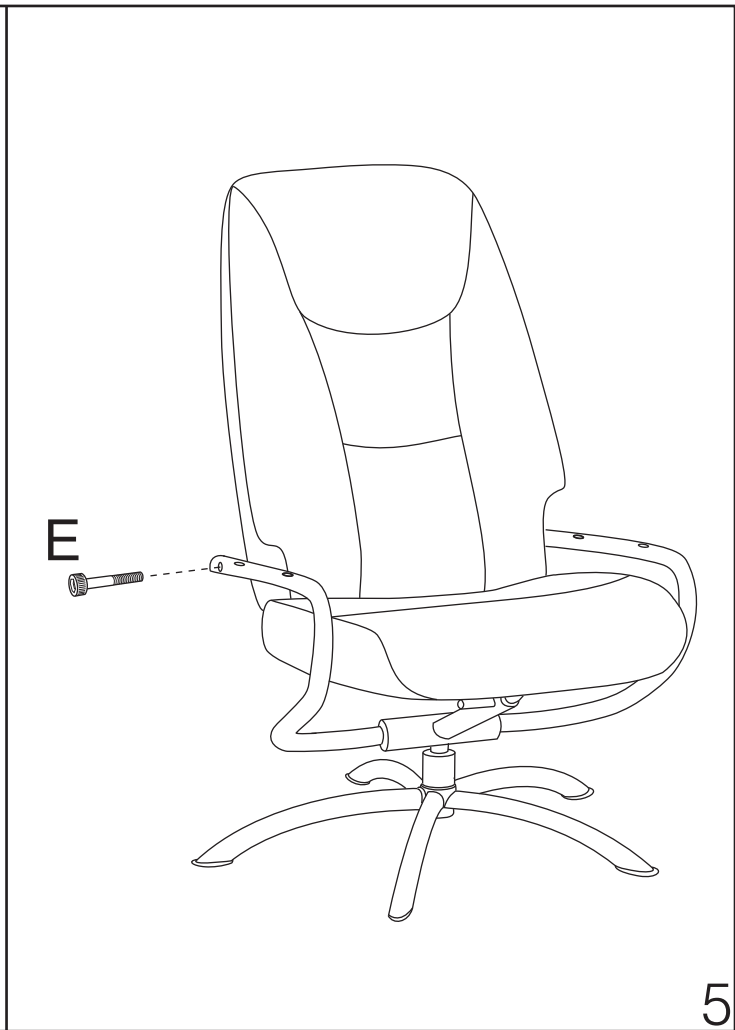
UP460600TX



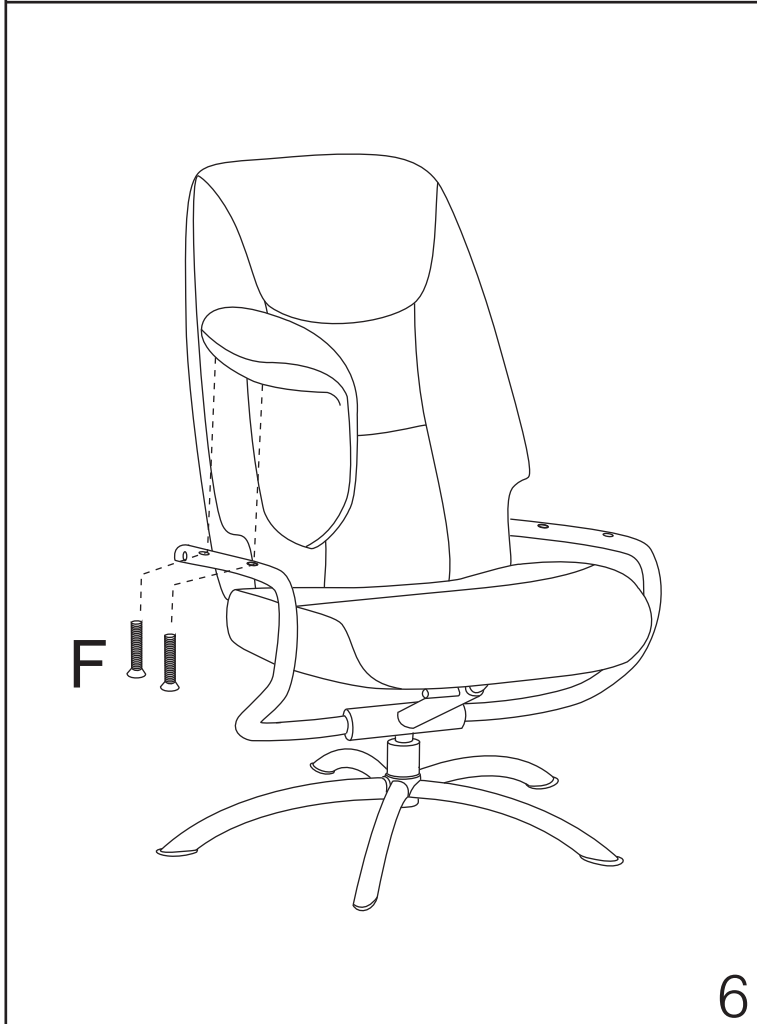
<b>A</b>	 M6X20	4PCS	<b>D</b>	 M8X35	1PC	<b>G</b>		1PC
<b>B</b>		1PC	<b>E</b>	 M8X45	2PCS	<b>H</b>		1PC
<b>C</b>		1PC	<b>F</b>	 M6X45	4PCS	<b>I</b>		1PC



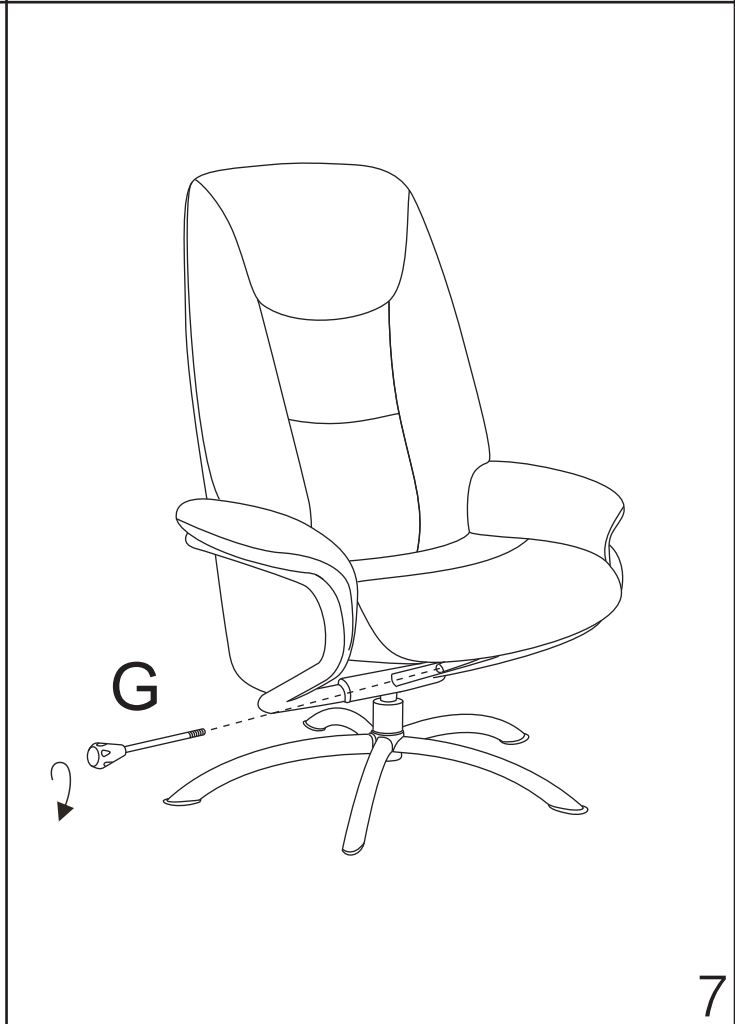
4



5



6



7



To Adjust Headrest: Place both hands over shoulder as shown in diagram. Gently pull with both hands to desired position.



DO NOT PULL FROM SIDE: May cause damage to seams.



To return headrest back: push on both sides or use forearm to evenly move headrest back.

## CAUTION

Always apply pressure to edge of Frame never in middle of headrest as may cause damage to filling.

