



SENECA II

72" x 42" Drop-In Acrylic Air Bath

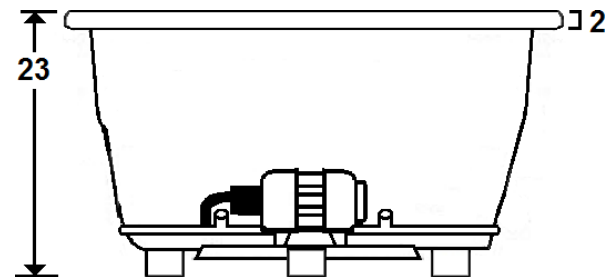
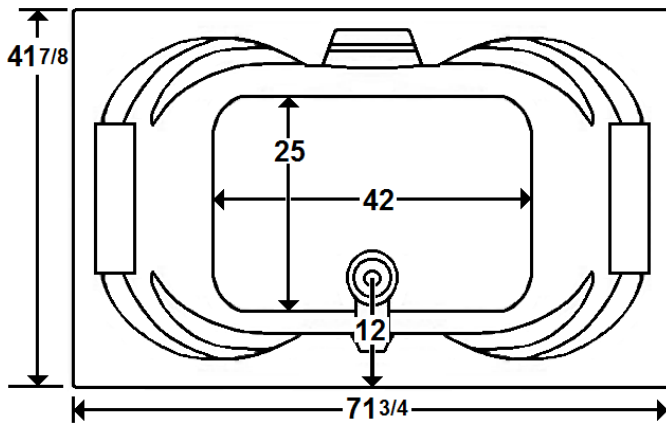
Model Number
4272SAH-WH
Drop-In White Air Bath
4272SAH-BI
Drop-In Biscuit Air Bath

Features

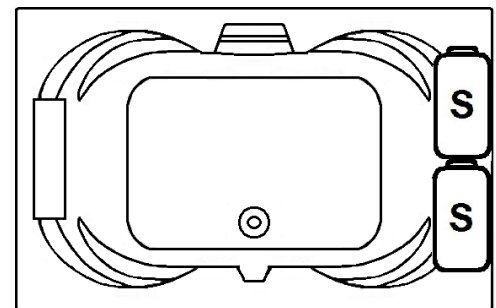
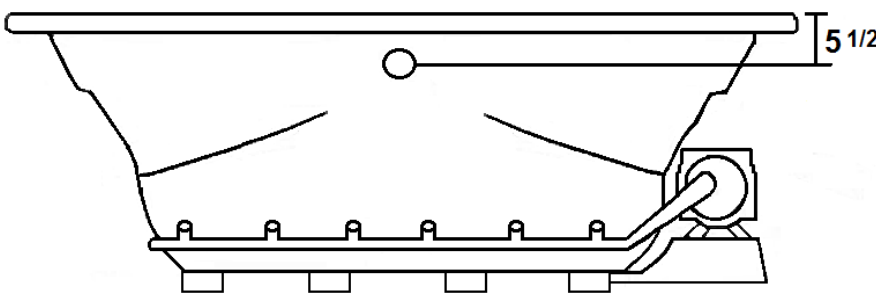
- 20+ high output later air jets & Pillows included
- 12 Amp variable speed blower
- Constructed of high-gloss durable acrylic
- Pre-leveled base for easy installation
- Automatic purge cycle with timer
- Maintenance water heater included
- Pillows included
- Made in the USA



All dimensions are +/- 1/2" and subject to change without notice
Confirm specifications before installation



Standard (S) Pump &
Heater Location



Technical Information

- Cut-Out Dimensions: 69 3/4" x 39 7/8"
- Weight: 185 lbs.
- Water Depth to Overflow: 16"
- Water Operating Level: NA
- Water Capacity: 101 gal.
- Sump Dimension: 42" x 25"

Electrical Requirements.

- Standard Blower: 12 Amps
- Maintenance Heater: 12.5 Amps
- 2, 20 Amp Dedicated GFCI's required