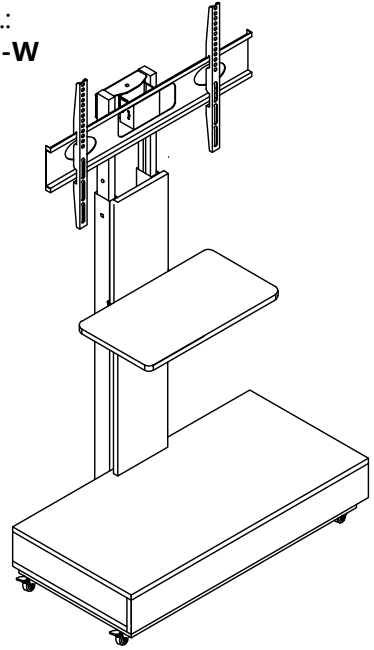


Important

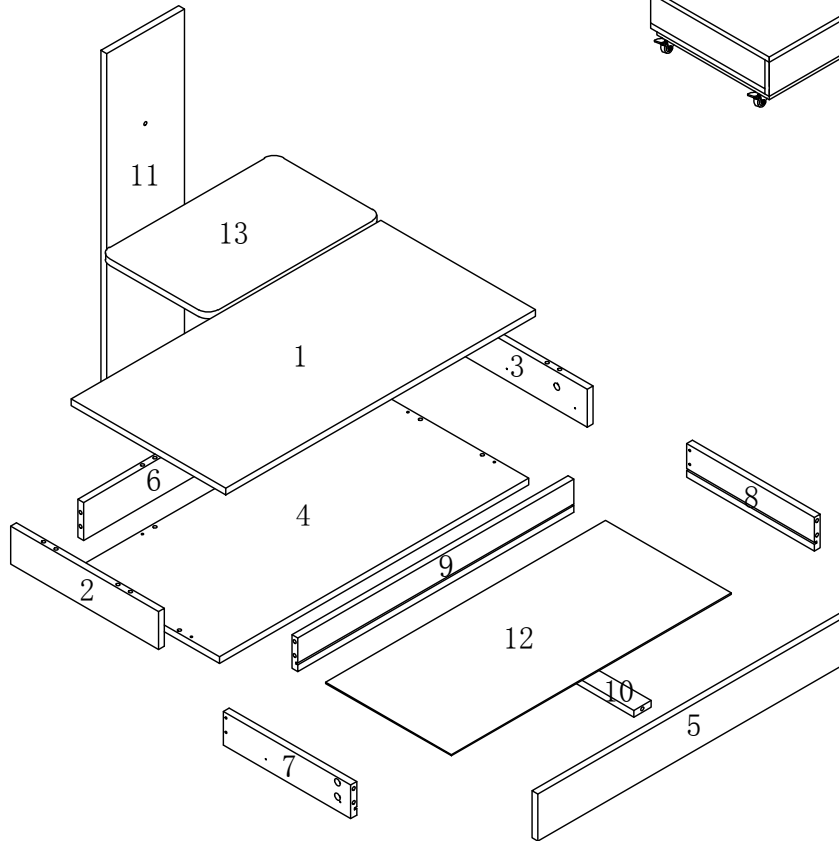
Please inspect all items carefully before assembling.
 If for any reason you need to return this item, you must return it in its original packaging.
Assembled items can not be returned.

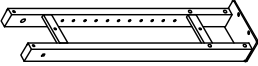

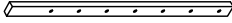
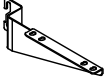
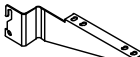
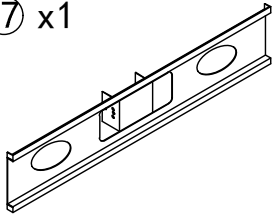

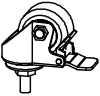
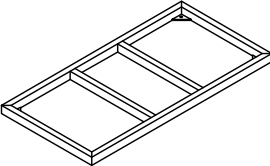
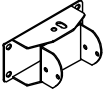
Model No.:
MAT7602-W


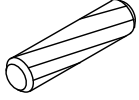
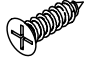

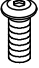



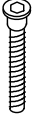


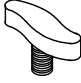

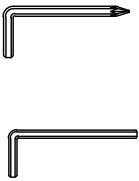


Important Note:

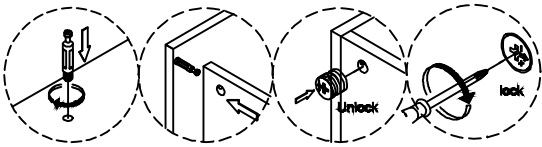
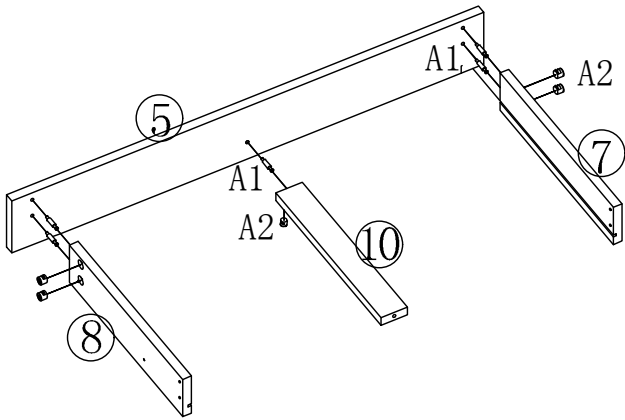
- *Place all parts on a clean and smooth surface such as a rug or carpet to avoid the parts from being scratched.
- *Kindly follow the assembly instruction step by step.
- *Don't tighten all screws until the table is fully set-up.



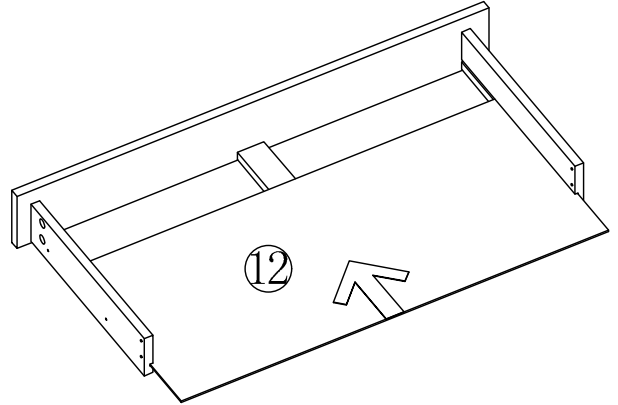
<p>⑭ x1</p> 	<p>⑮ x1 (SET)</p> <p>(Right)</p>  <p>(Left)</p> 	<p>⑯ x1 (SET)</p>  <p>(Left)</p>  <p>(Right)</p>	<p>⑰ x1</p> 
<p>⑱ x2</p> 	<p>⑲ x4</p> 	<p>⑳ x1</p> 	<p>㉑ x1</p> 

<p>A x15</p>  <p>A1 A2</p> <p>φ 6*38mm φ 15*11mm</p>	<p>B x12</p>  <p>φ 8*40mm</p>	<p>C x8</p>  <p>ST3.5*14mm</p>	<p>D x11</p>  <p>ST4*35mm</p>
<p>E x8</p>  <p>M6*12mm</p>	<p>F x2</p>  <p>M6*35mm</p> <p>F1 F2</p>	<p>G x2</p>  <p>M8*30mm</p> <p>G1 G2</p>	<p>H x2 (SET) 350mm</p> 
<p>I x2</p>  <p>M7*65mm</p>	<p>J x2</p>  <p>M6*100mm</p>	<p>K x4</p>  <p>M6*40mm</p> <p>K1 K2</p>	<p>L x3</p> 
<p>M x8</p>  <p>M6*8mm</p>	<p>N x2</p> 		

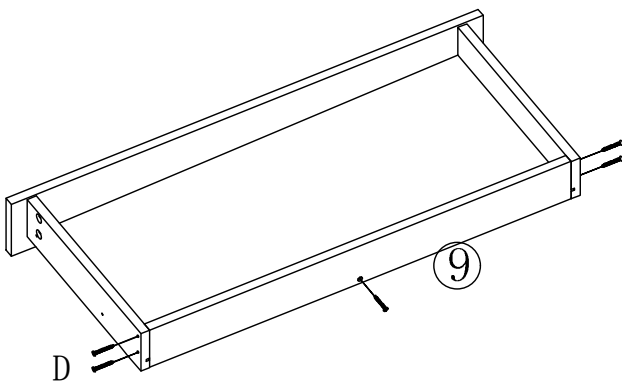
1 Install the drawer.



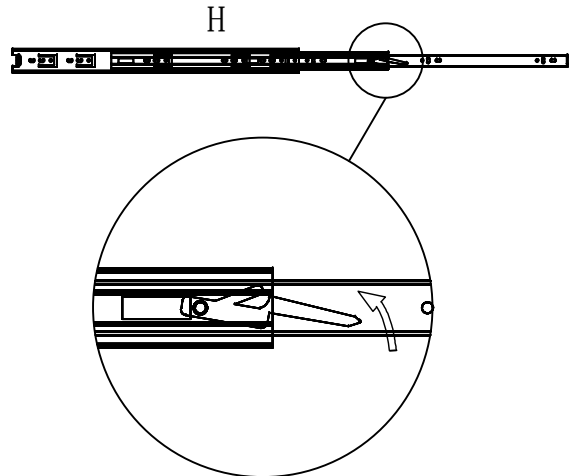
2 Install the drawer.



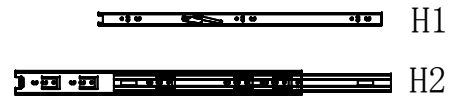
3 Install the drawer.



4 Split component H.

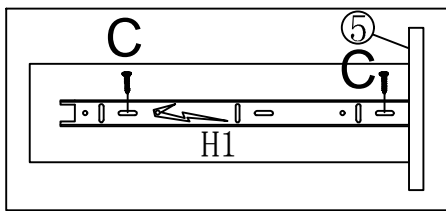
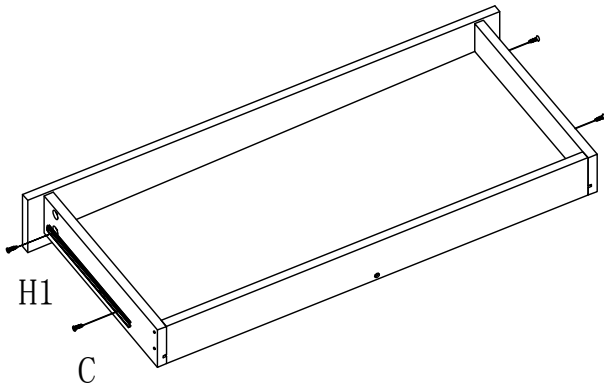


Taking the inner fixing rail off,
please press dismounting rod.



5

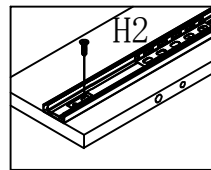
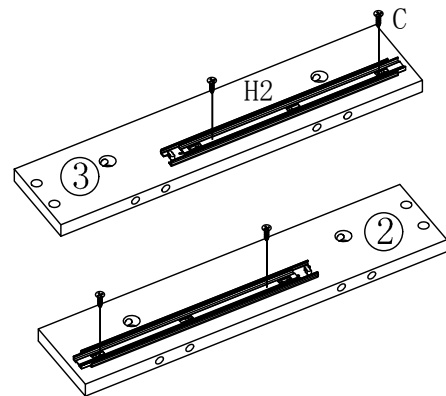
Install the drawer.



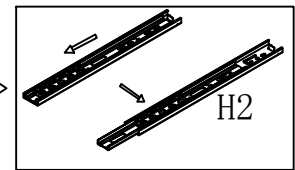
6

Install the drawer.

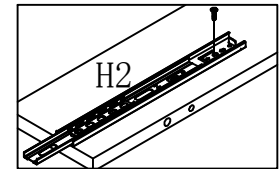
* Please pay attention to the left and right.



The smaller end of H2 is flush with the sheet metal, and an 'C' screw is screwed into the first hole.



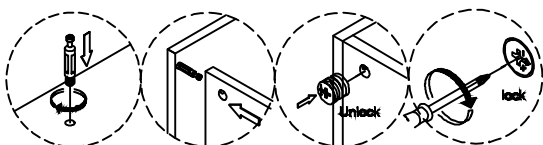
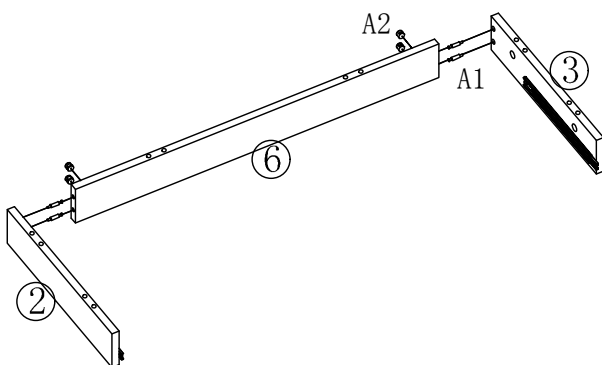
Slide out the track of H2



Align with the second hole and tighten the screw.

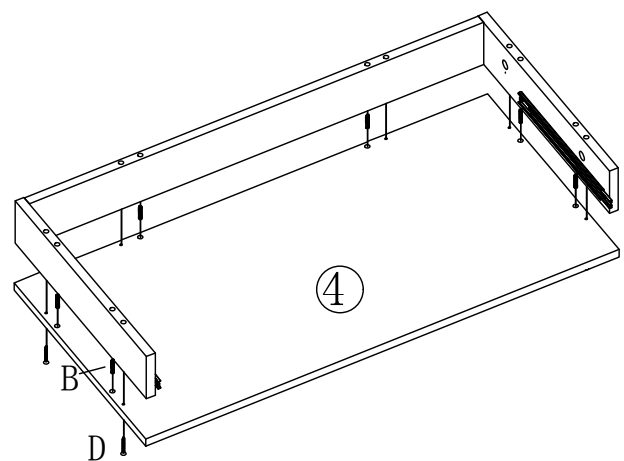
7

Install the drawer.

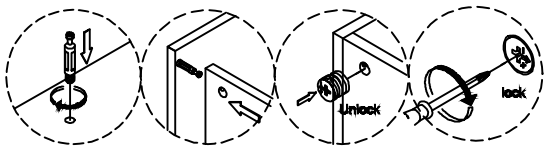
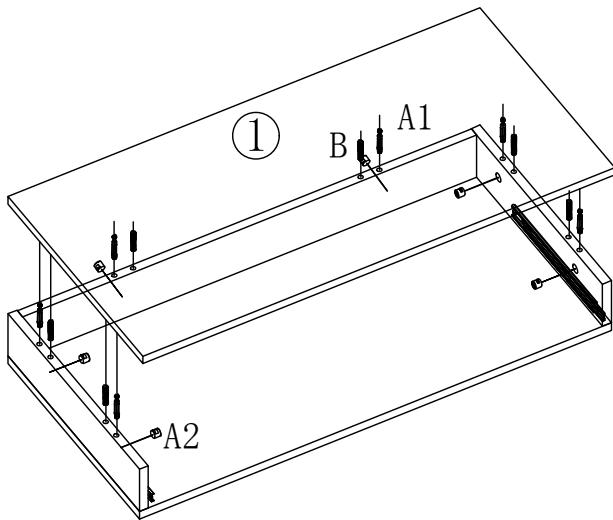


8

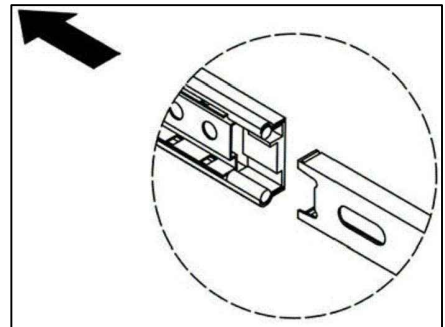
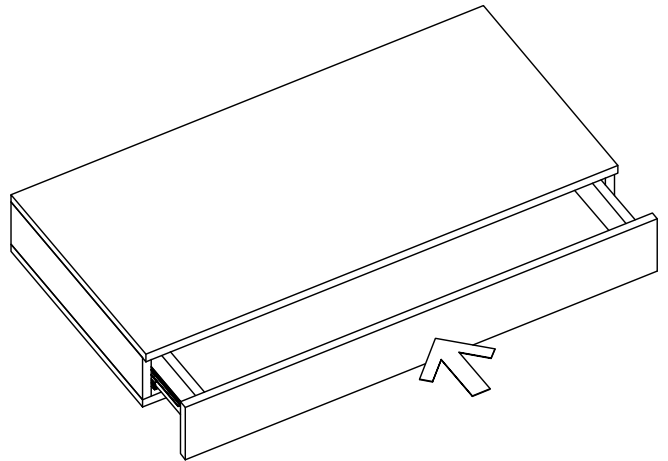
Install the drawer.



9 Install the drawer.



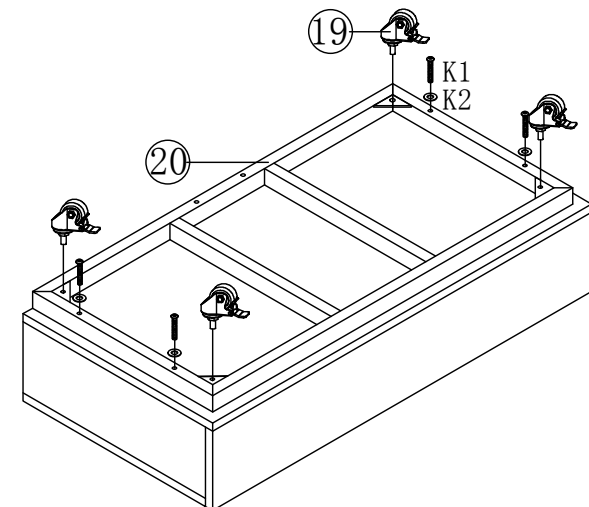
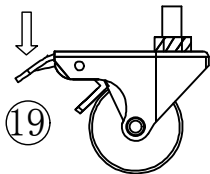
10 Install the drawer.



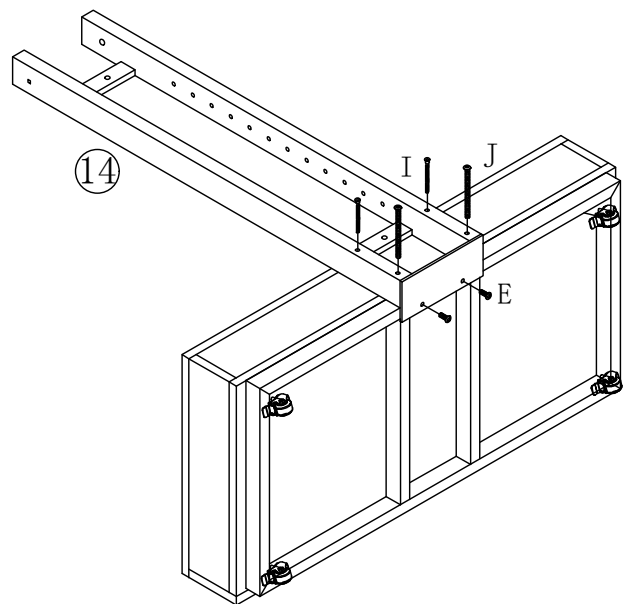
Align the outer track with the center of the inner track and push in.

11 Install the bottom bracket and the wheels.

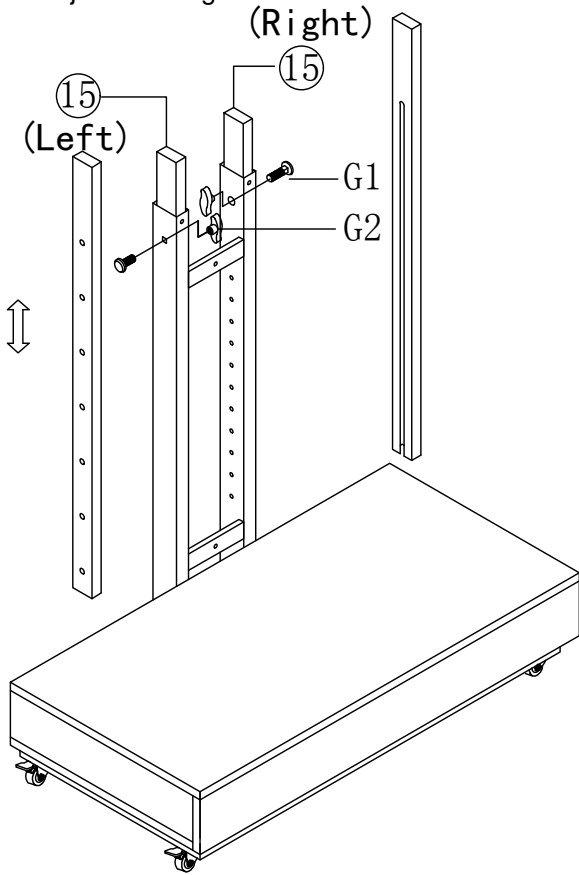
Apply the brakes before installing the wheels.



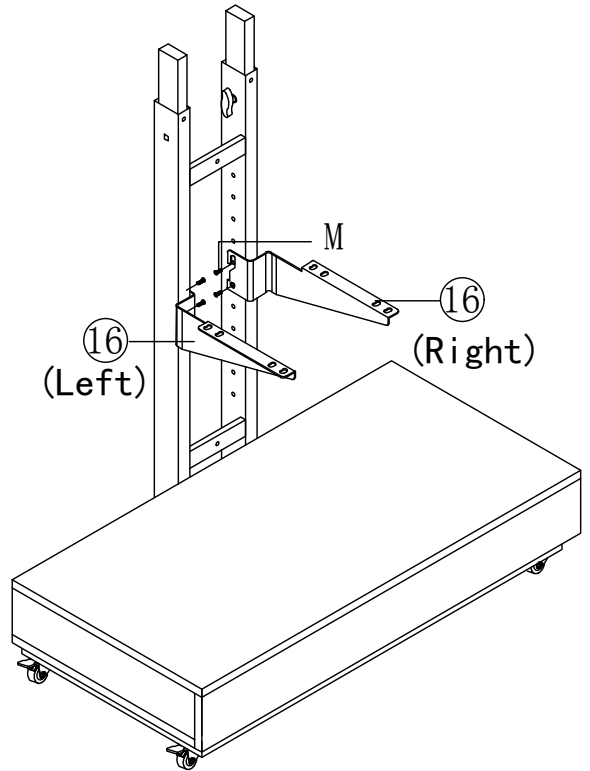
12 Assemble the lower frame and base.



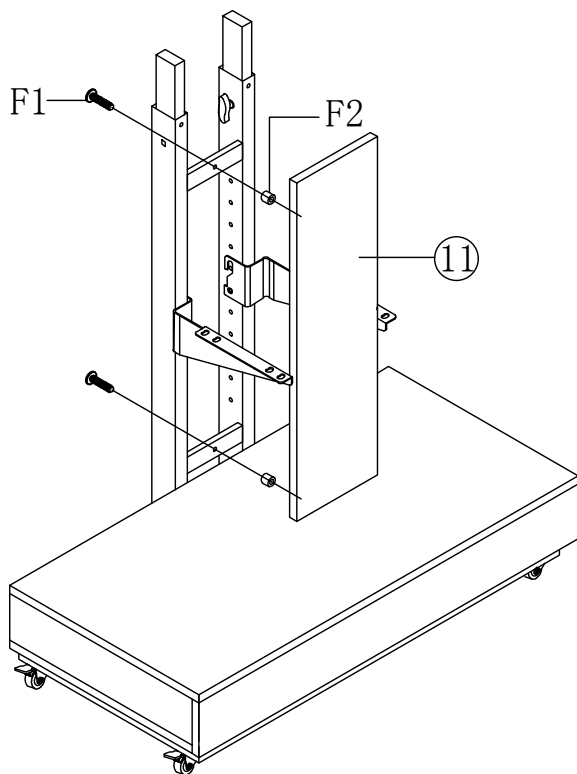
13 Plug in two top frames.
 * Please pay attention to the left and right.
 Adjust the height of bracket to fix it.



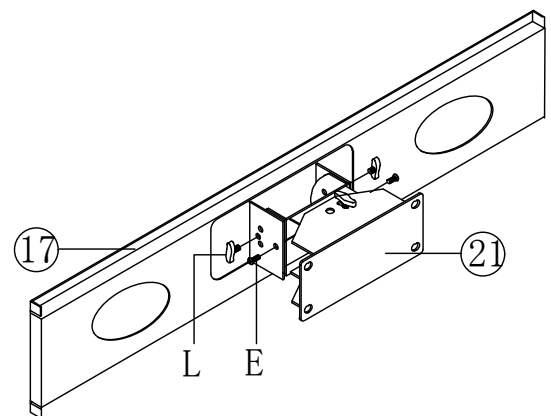
14 Position the shelf board and install the left and right shelf board brackets.



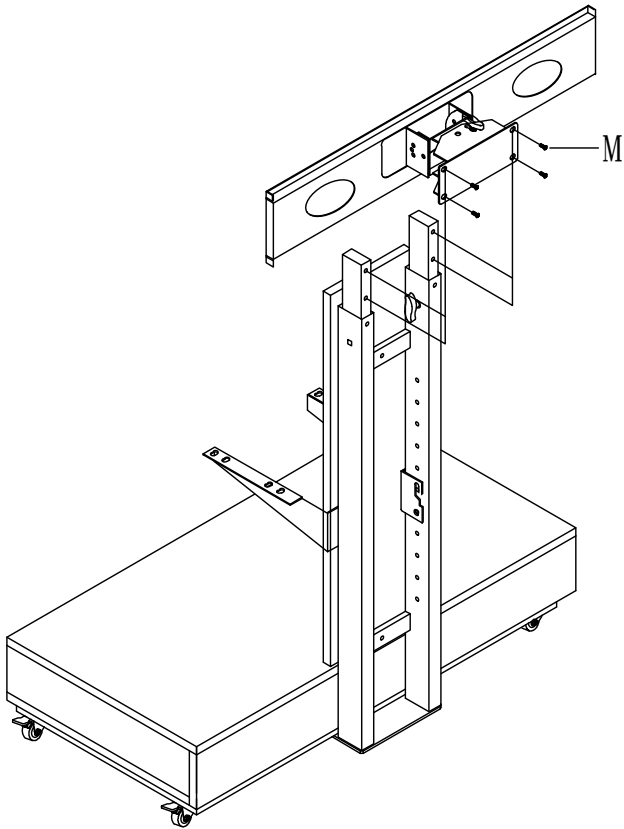
15 Install the front plate.



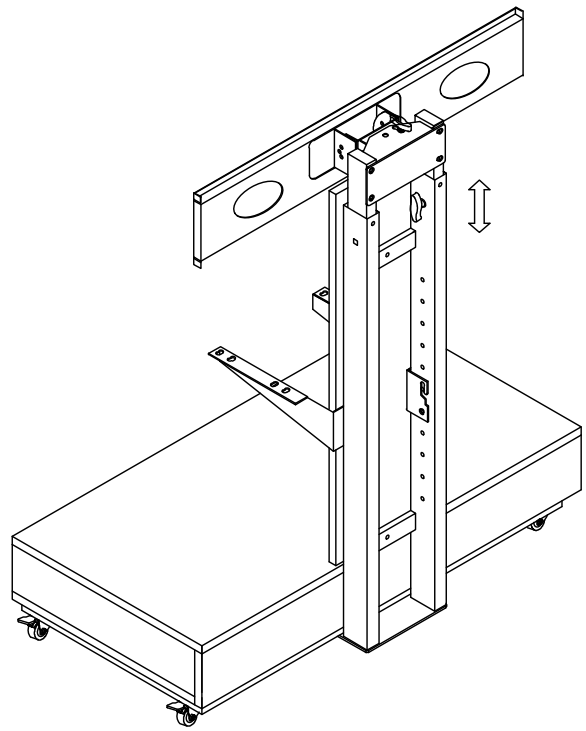
16 Install bracket.



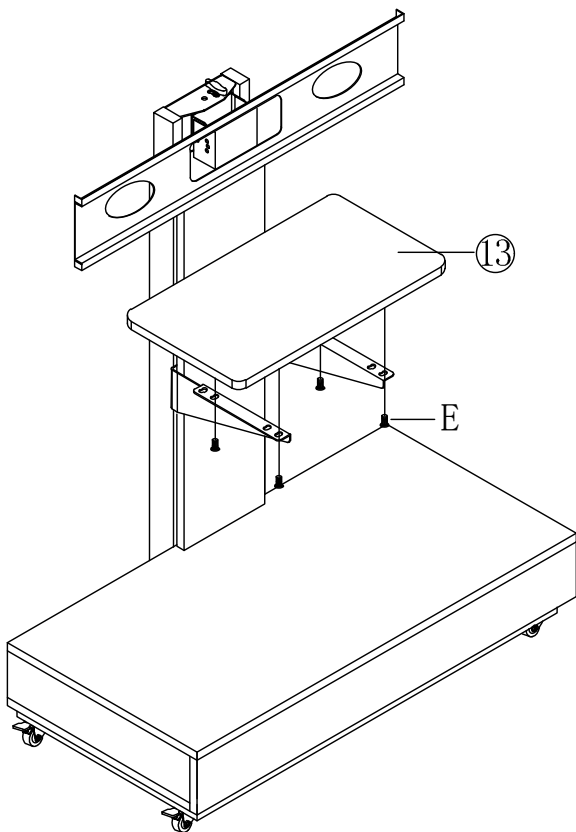
17 Install bracket.



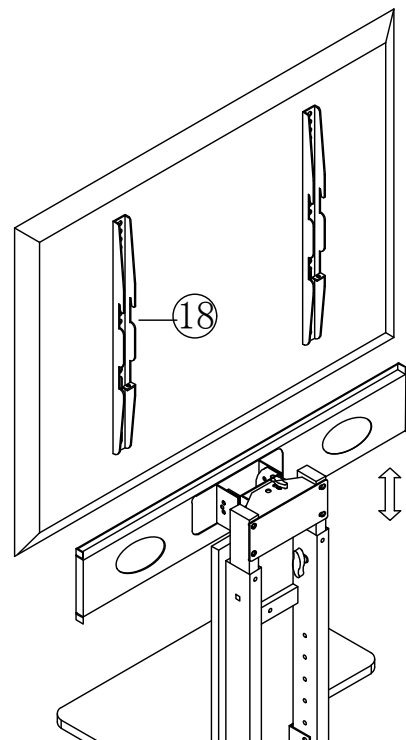
18 Make sure the height of bracket and fix it.



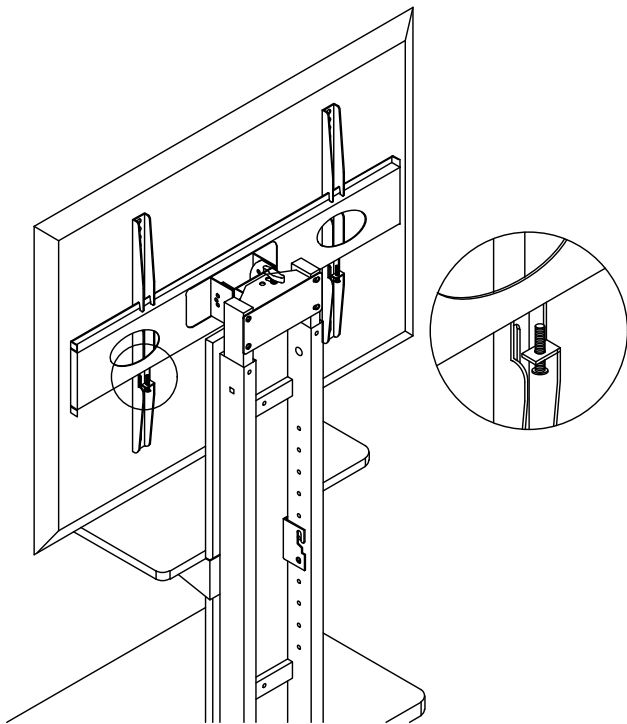
19 Install the shelf board.



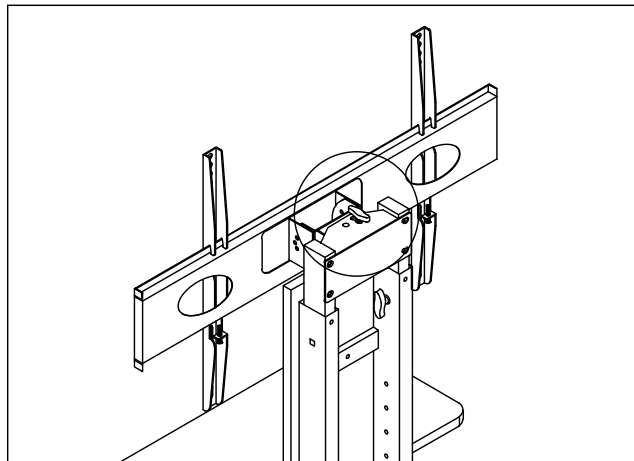
20 Hook the circular part of the attached bracket 18 to the bracket 17.
* Please be careful not to drop the TV.



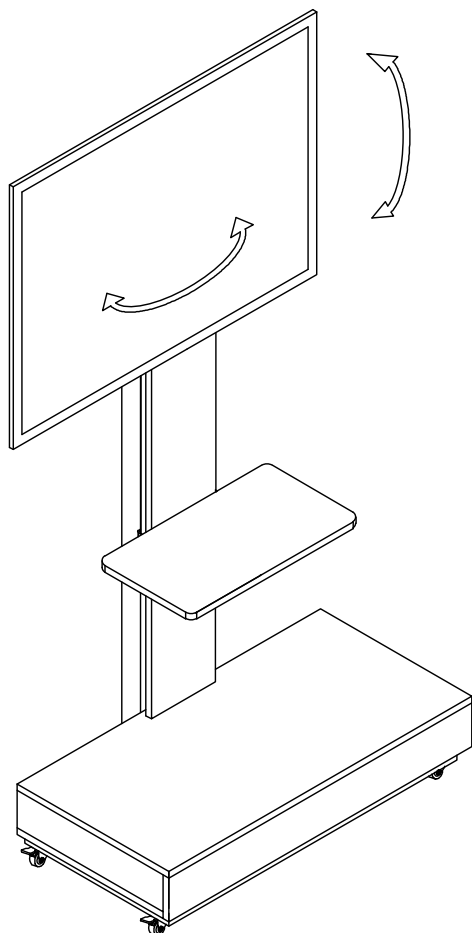
21 Close the bolt on the lower side of the attached bracket 18 to secure the TV.



[Left and right angle adjustment]
Loosen the adjustment bolts shown in the figure to adjust the left and right angles. After adjusting the angle, tighten the bolts.



Angle adjustment



[Vertical angle adjustment]
Three levels of angle adjustment are possible. Loosen the adjustment bolts (left and right) shown in the figure, insert them into the three holes at any angle you like, and tighten them.

