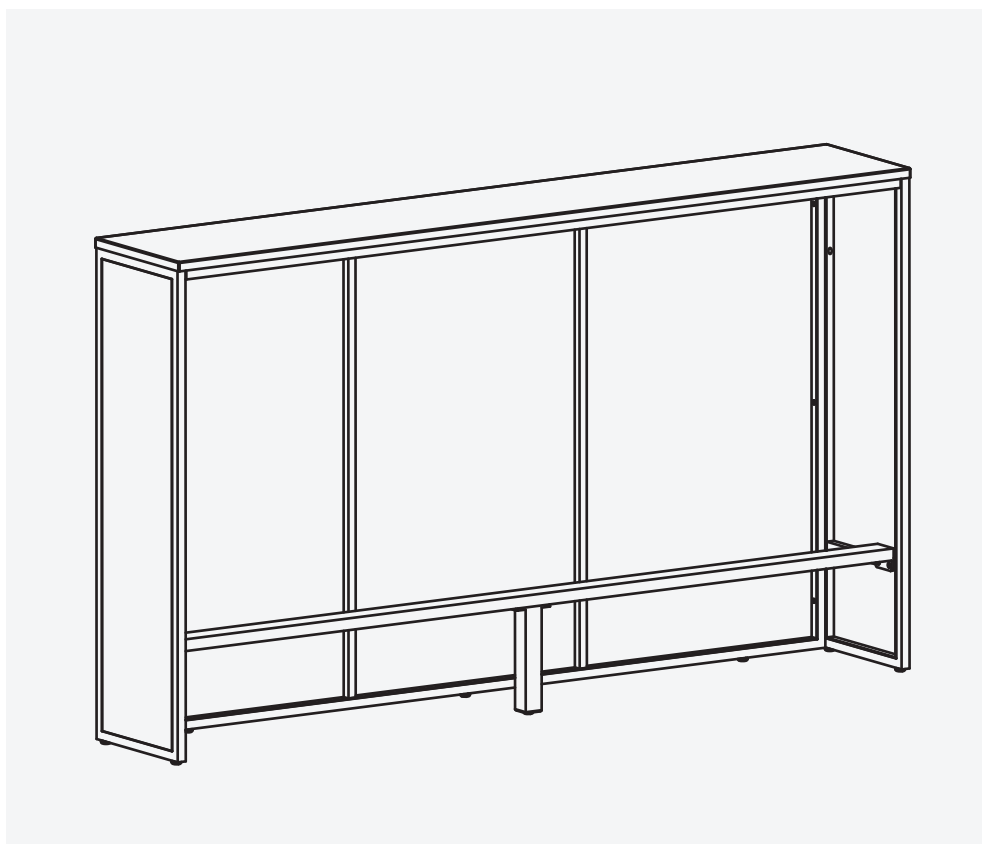


## BAR COUNTER



Model No. **FHTA80082A**

---

Questions, problems, or missing parts?  
Before returning to the store, call Customer Service.

**1-866-292-8800**

8am - 5pm, PST Monday - Friday

# SAFETY INSTRUCTIONS

## SAFETY SYMBOLS



### CAUTION

Indicates a potentially hazardous situation or unsafe practice which, if not avoided, may result in minor or moderate injury.



### WARNING

Indicates a potentially hazardous situation which, if not avoided, could result in death or serious injury.



### DANGER

Indicates a imminently hazardous situation which, if not avoided, will result in death or serious injury.

**THIS PRODUCT IS FOR OUTDOOR USE ONLY.**

**IMPORTANT: RETAIN FOR FUTURE REFERENCE, AND READ CAREFULLY.**

## IMPORTANT

If you have any problems with this product (missing or damaged parts, assembly issues, etc.),

**PLEASE DO NOT RETURN TO THE RETAILER/STORE**

from where you purchased the product.

Please call our Toll-Free Customer Service Hotline at:

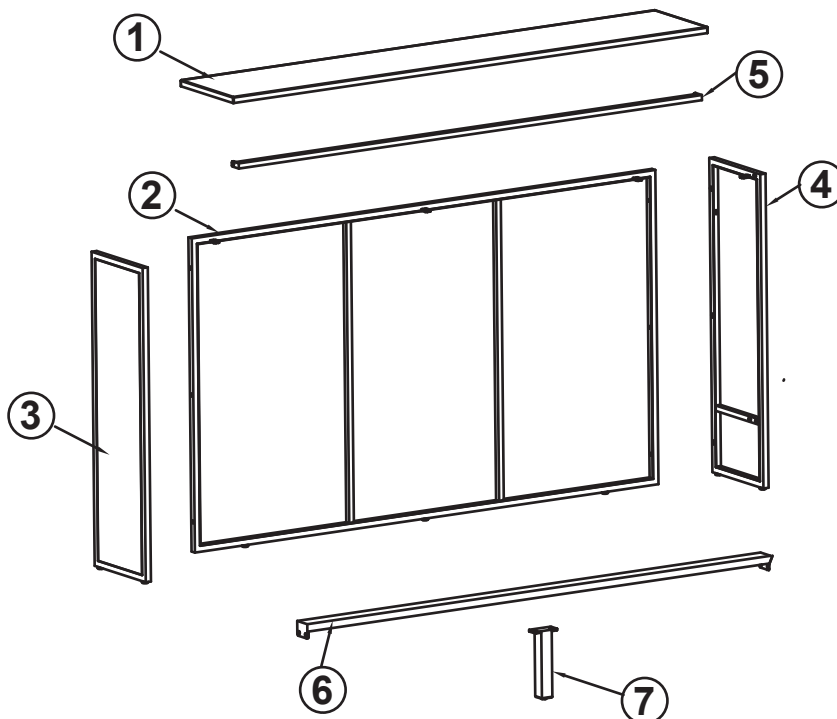
**1-866-292-8800**





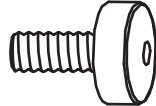
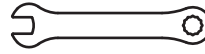

To expedite any future warranty claims, please retain the instruction sheet and receipt for future use.

# PARTS LIST

## Key Qty Description

AA	10	M6*15
BB	8	M6*35
CC	7	Washer
DD	7	Nut
EE	3	Adjusting Knob
FF	1	Leveler
GG	1	Allen Wrench
1	1	Countertop
2	1	Side Panel A
3	1	Back Panel
4	1	Side Panel C
5	1	Tube-1
6	1	Footrest
7	1	Footrest Support

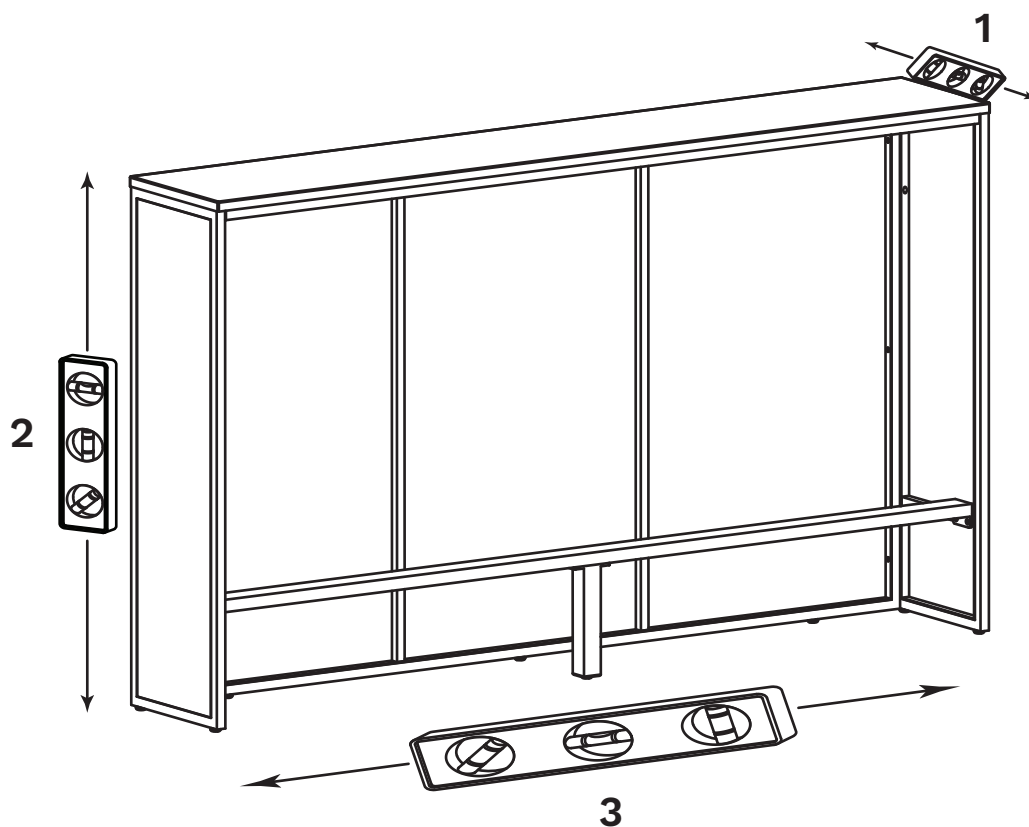


AA		x 10
	M6*15	
BB		x 8
	M6*35	
CC		x 7
	Washer	
DD		x 7
	Nut	
EE		x 3
	Adjusting knob	
FF		x 1
	Wrench	
GG		x 1
	Allen wrench	

# LEVELING THE CABINETS

## IMPORTANT:

Leveling the cabinets is the most important part of installation, to ensure doors align properly and countertop sets evenly. Cabinets need to be level and square. Each cabinet features levelers at the corners that can be adjusted to achieve a perfectly level countertop. Turn levelers clockwise to raise the height of the cabinet, and counter-clockwise to reduce the height.



## LEVELING YOUR CABINETS

Be sure to level your cabinets in all three directions:

1. Front to Back
2. Vertically
3. Horizontally

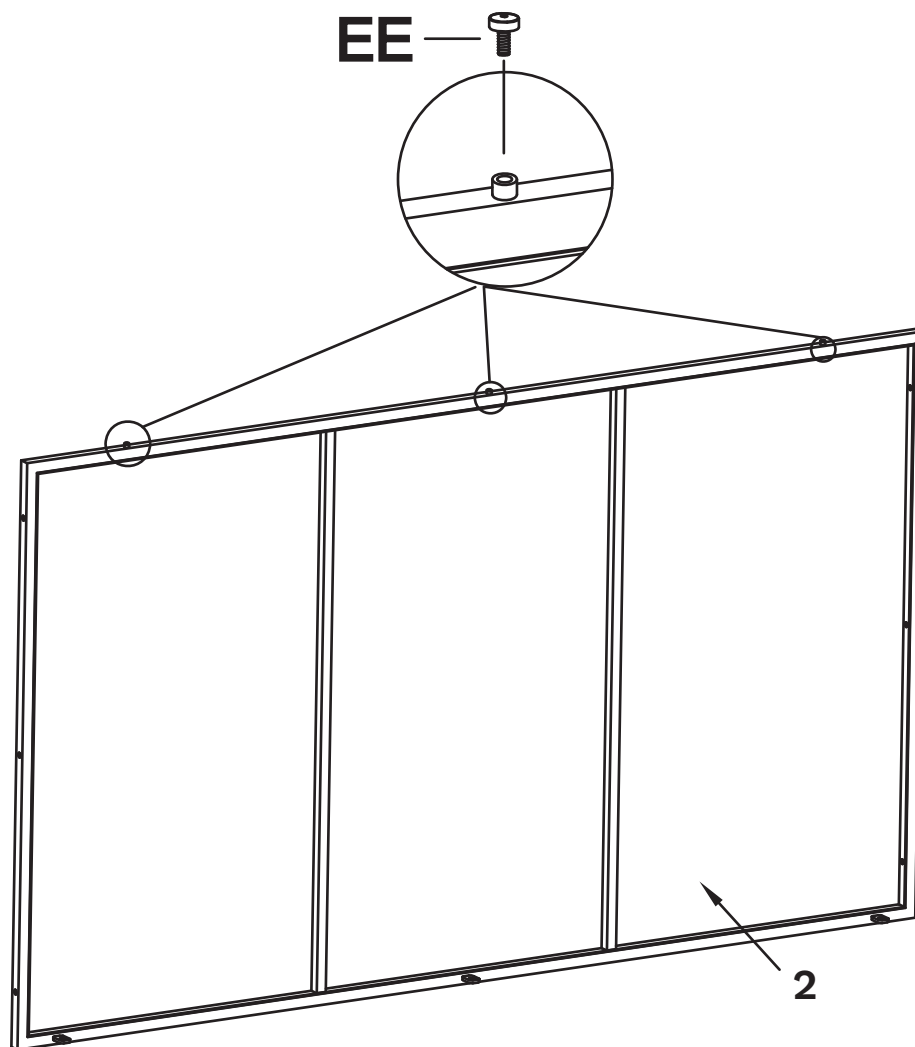
# ASSEMBLY

## STEP 1

Requires: **EE, 2**

### **ADD LEVELERS TO BOTTOM OF BACK PANEL**

Add levelers (EE) to the bottom of the back panel (2). Repeat 3 times.



# ASSEMBLY

## STEP 2

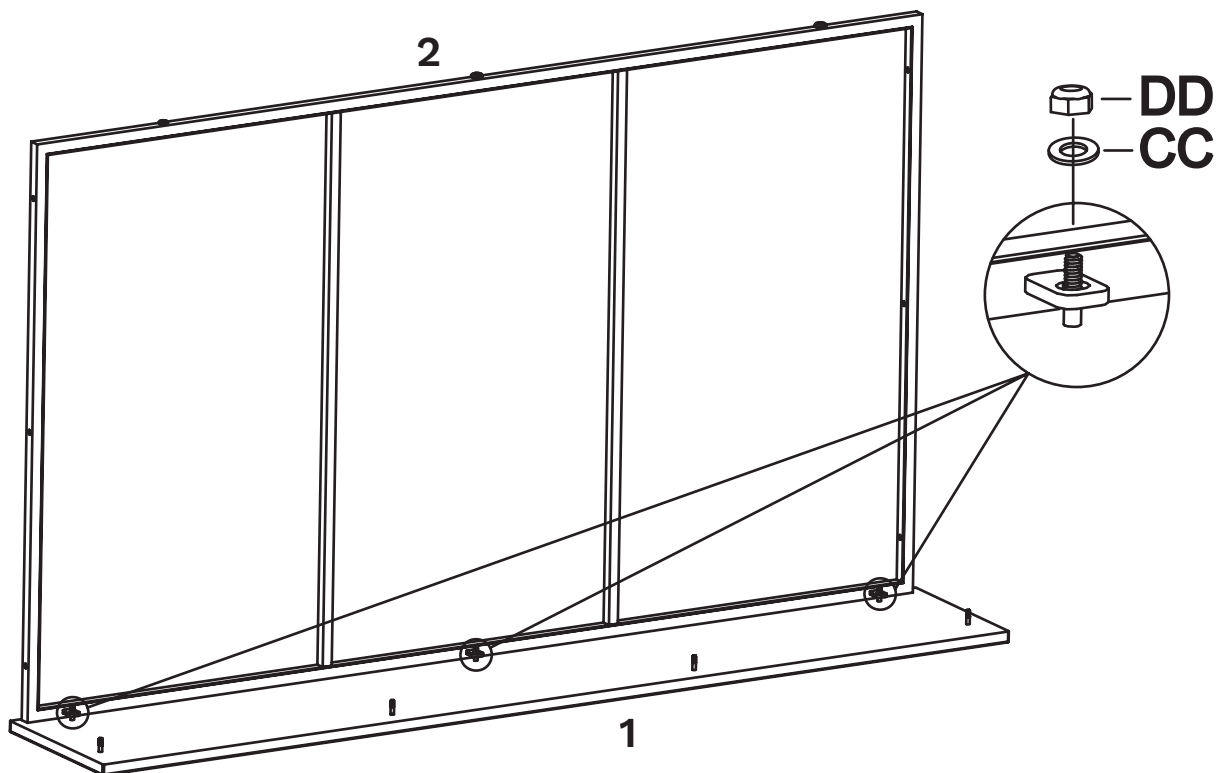
Requires: **CC, DD, 1, 2**

### ATTACH THE BACK PANEL TO THE COUNTER TOP

Place countertop upside down on soft surface, such as cardboard or a blanket.

Ask someone to help you hold the back panel (2) in place as you connect it to the countertop.

Connect the back panel (2) to the countertop (1) using washers (CC) and nuts (DD).



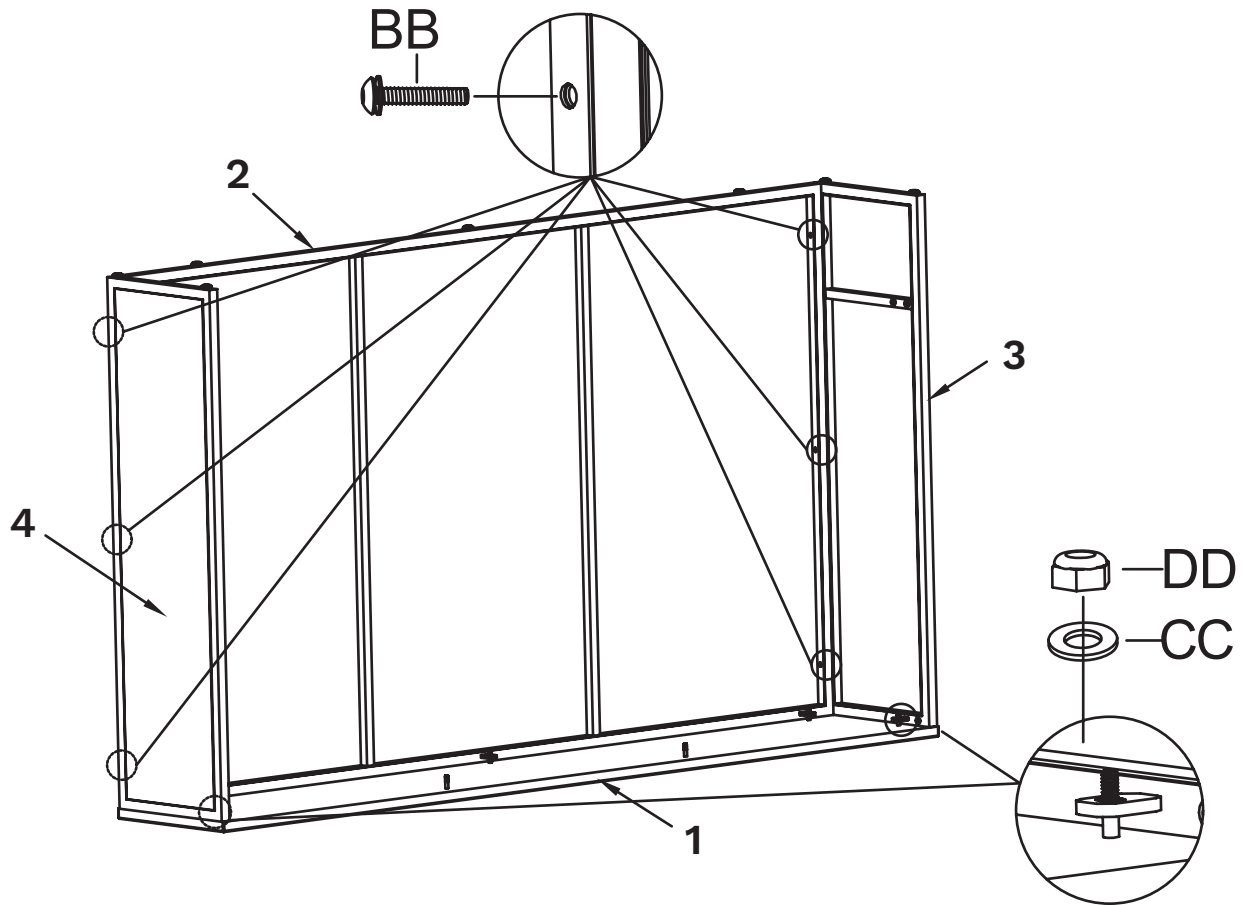
# ASSEMBLY

## STEP 3

Requires: **BB, CC, DD, 1, 2, 3, 4**

### ATTACH THE SIDE PANELS

Attach side panel B (3) and side panel C (4) to the countertop (1) and back panel (2) using bolts (BB), washers (CC), and nuts (DD).



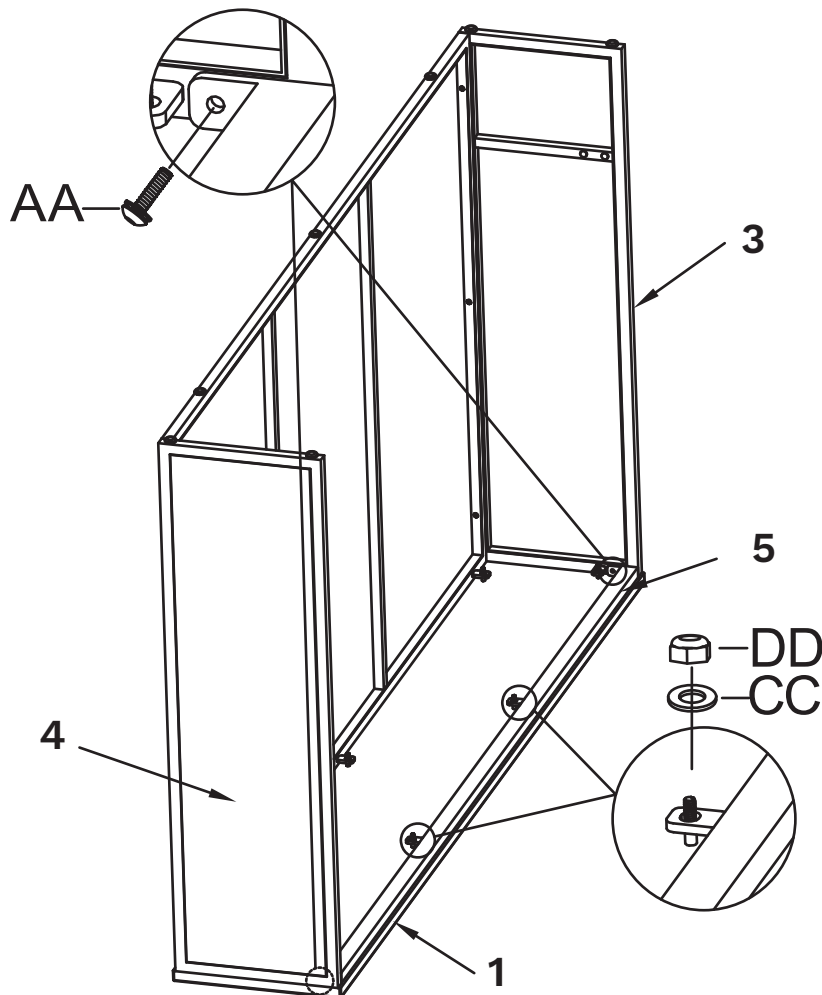
# ASSEMBLY

## STEP 4

Requires: **AA, CC, DD, 1, 3, 4, 5**

### ATTACH THE SUPPORT TO THE COUNTERTOP

Attach tube-1 (5) to the countertop (1) using bolts (AA), washers (CC), and nuts (DD).



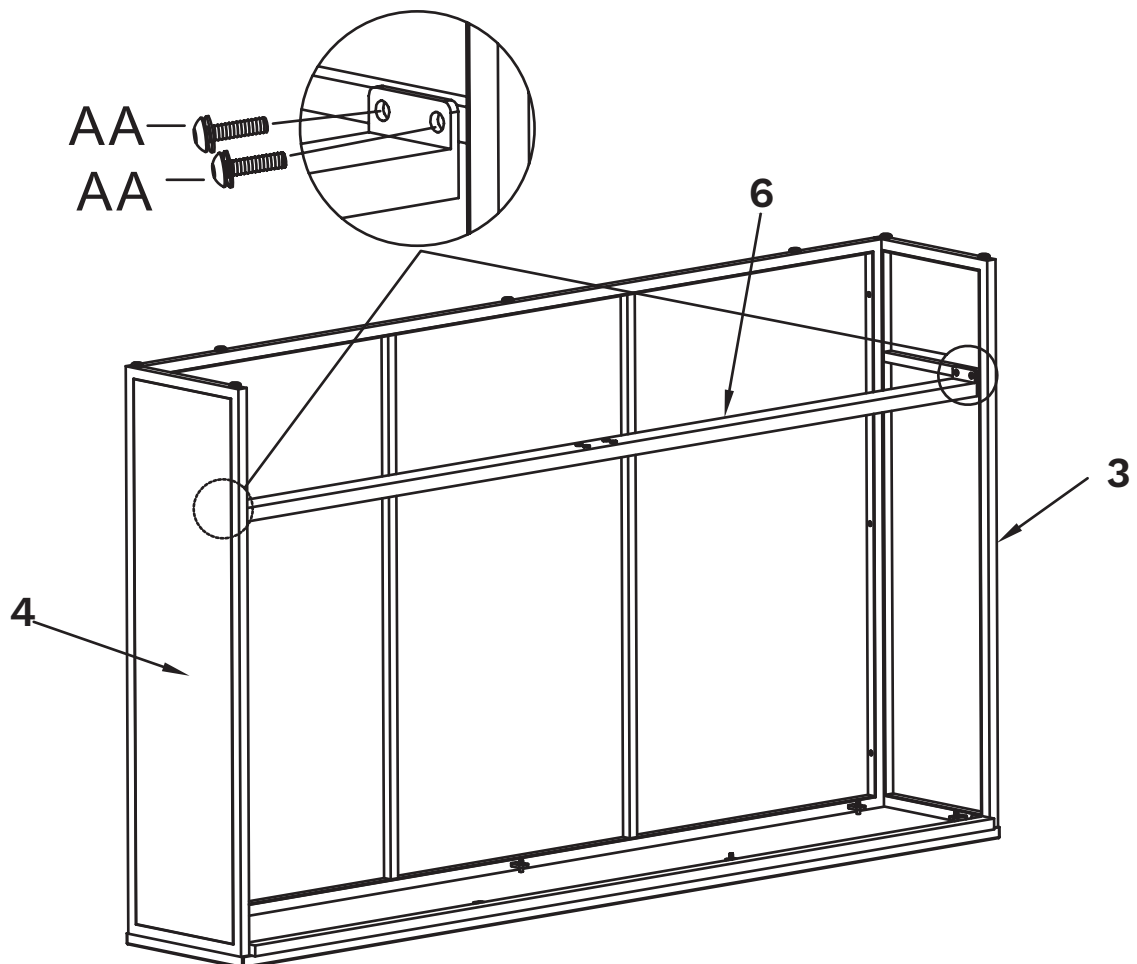
# ASSEMBLY

## STEP 5

Requires: **AA, 3, 4, 6**

### ATTACH THE FOOTREST TO THE SIDE PANELS

Attach the footrest (6) to side panel B (3) and side panel C (4) using bolts (AA).



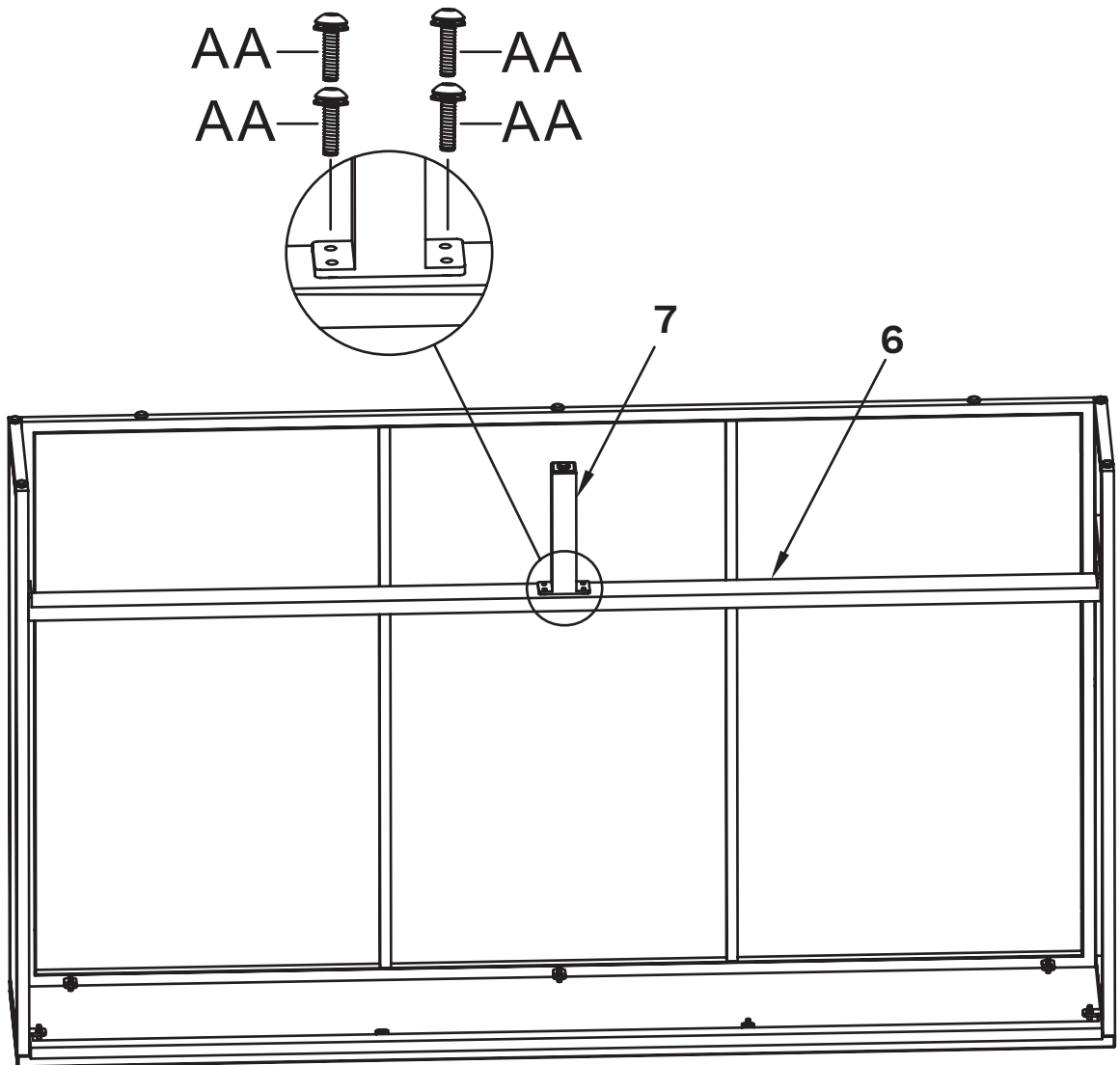
# ASSEMBLY

## STEP 6

Requires: **AA, 6, 7**

### ATTACH THE FOOTREST SUPPORT TO THE FOOTREST

Attach the footrest support (7) to the footrest (6) using bolts (AA).

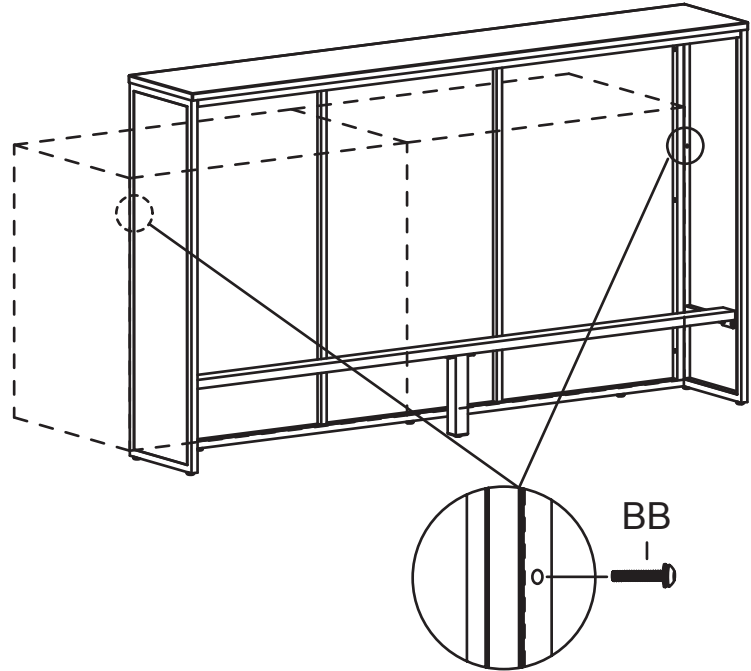


# ASSEMBLY

## STEP 7

Requires: 1, **BB**

Connect three cabinets together using bolts (BB).



Bar Counter **MUST** be properly secured to two additional leveled Outsider cabinets or bar counter will tip over, which could cause serious injury or death.

# CLEANING & MAINTENANCE

## CARE AND MAINTENANCE

Store furniture and cabinets in an upright position. Be careful to never allow water to build up in frames as this will cause corrosion and freeze damage in cold climates. Wash all frames with a solution of mild soap and water. Rinse with clean water and dry with a soft absorbent cloth towel. Frames can be treated with a liquid wax for maximum protection against UV rays and/or salty, damp air. If your set includes cushions, they may be cleaned by hand with a solution of soap and water with a clean water rinse. (Never machine wash cushions as this will result in shrinkage or damage). After cleaning cushions tip on end and allow to drip dry. (Never use a commercial or home dryer to tumble dry fabric goods). Do not use bleach or solvents to clean any product! This will void the warranty.

### General Cleaning

Plastic parts: Wash with warm soapy water and wipe dry. Do not use abrasive cleaners, degreasers or a concentrated grill cleaner on plastic parts. Damage to and failure of parts can result.

Painted surfaces: Wash with mild detergent or non-abrasive cleaner and warm water. Wipe dry with a soft non-abrasive cloth.

Stainless steel surfaces: Stainless steel can rust under certain conditions. This can be caused by environmental conditions such as chlorine or salt water, or improper cleaning tools such as wire or steel wool. It can also discolor due to heat, chemicals, or grease build-up. To maintain your modules high quality appearance, wash with mild detergent and warm water, or use a stainless steel grill cleaner. Use only in direction of brushed finish to avoid damage. Do not use abrasive pad on areas with graphics.

### Granite Cleaning and Disinfecting Guide

How to clean your countertop:

1. Wet your paper towel with hot water.
2. Add 3 drops of dish soap.
3. Get a decent lather going and wipe them down.
4. Dry them with a dry paper towel.

After cleaning you may want to disinfect to kill bacteria and viruses that the dish soap will not kill.

To disinfect your countertop:

1. Fill your spray bottle about half way with isopropyl alcohol.
2. Fill it to the top with water.
3. Spray on dry countertops and let it sit for 3 to 5 minutes.
4. Wipe them down with a dry paper towel.

Never use these household cleaners on granite:

- o Window cleaners
- o Bath and shower cleaners
- o Toilet cleaners
- o Vinegar
- o Bleach or bleach wipes
- o Abrasive powder cleansers
- o Scouring pads

### Applying Sealant

Your granite has a sealant applied at the manufacturer. To extend the life of your granite, apply sealant periodically. Use sealant every six months or follow the recommended interval on the sealant container.

# WARRANTY

## LIMITED WARRANTY PROGRAM

The Manufacturer will either repair or replace defective components in accordance with this Limited Warranty, according to the scope and period below:

SCOPE OF COVERAGE	PERIOD OF COVERAGE	TYPE OF FAILURE COVERAGE
Stainless Burners	10 (ten) years	Perforation, manufacturing, and material defects only.
Firebox, Hood, Cooking Grates	3 (three) years	
Cabinet Frames (not including countertops and hardware)	5 (five) years	
Chair Frames and Fabric	5 (five) years	
All other parts	1 (one) year	

This warranty is between the Manufacturer and the original purchaser and is valid only when accompanied by the original purchaser's sales receipt showing original date of purchase and location of purchase. Replacements under this warranty revert back to the date of original purchase for future warranty.

The Manufacturer or its authorized dealer can accept or reject warranty claims based on its findings. This warranty applies in normal residential use only and is not intended for commercial use. The Manufacturer can make substitutions as required of materials, components, and sub-components of comparable value and utility. This warranty is limited to product repair or replacement (to be determined solely by the Manufacturer). Warranty return is limited to only the single affected component.

This limited warranty covers only manufacturing defects and does not cover normal wear and tear, damage due to acts of nature (such as, but not limited to freezing or high winds), abuse or misuse, including chemical damage from suntan oil or other chemicals, exposure to extreme heat or cold, abrasion or excessive weight. This product is intended to be used in standard installations only. This warranty is void if the product is not used for its intended purpose. The Manufacturer disclaims liability for any aspect of installation and any inconvenience caused by a defective part of a component.

Certain items are not covered by this warranty. These include, but are not limited to the following:

1. Components subjected to abuse, including abuse intended to simulate failure.
2. Damages caused by retailer, shipper or installation crew (such as scratches, dents, tears, chips, etc.).
3. Any part which merely exhibits normal wear yet functions essentially as new, including chips, scratches or stretching of materials and stitching.
4. Tears, punctures, scratches or any damage caused by improper installation or use.
5. Damage to frames/welds resulting from improper assembly or exposure to water and/or sub-freezing temperatures is not covered. General frame rusting is not covered.
6. Fading and/or discoloration of fabrics/cushions/straps/wicker resulting from exposure to the elements, chemicals, oils, fluids or any other cause are not covered.
7. Umbrella bases are not covered under any circumstances.
8. Items sold "as is" or floor models.

To make a claim, call the toll-free number below. Please have available a copy of the original sales receipt along with a brief description of the problem. Please also provide your email address and daytime telephone or cell phone number. All items may be charged actual freight costs plus \$15 for handling. Repairs or replacement will be made at the Manufacturer's option. Sales and use taxes, plus shipping and handling charges are the responsibility of the consumer.

**THIS IS THE ENTIRE EXCLUSIVE EXPRESS LIMITED LIABILITY. THE MANUFACTURER NEITHER MAKES NOR IS RESPONSIBLE FOR ANY OTHER WARRANTIES, EITHER EXPRESS OR IMPLIED, INCLUDING THOSE OF RETAILING DEALERS. THIS EXCLUSIVE REMEDY IS LIMITED TO RECEIPT OF A CREDIT IN CONNECTION WITH THE REPAIR OR REPLACEMENT OF ANY PRODUCT OR COMPONENT DEEMED TO BE DEFECTIVE UNDER THE TERMS AND CONDITIONS AS STATED IN THIS WARRANTY. NEITHER THE PRODUCT MANUFACTURER NOR ITS AGENTS SHALL BE LIABLE IN ANY CASE FOR INCIDENTAL, INDIRECT, SPECIAL OR CONSEQUENTIAL DAMAGES RESULTING FROM THE USE OF THIS PRODUCT OR ARISING OUT OF ANY BREACH OF THIS**

**WARRANTY OR NEGLIGENCE EVEN IF IT HAS BEEN ADVISED OF THE POSSIBILITY OF SUCH DAMAGES, EXCEPT AS OTHERWISE MAY BE REQUIRED BY LAW, THERE ARE NO OTHER EXPRESS OR IMPLIED WARRANTIES OTHER THAN THE WARRANTY DESCRIBED HEREIN, AND ALL OTHER WARRANTIES, INCLUDING IMPLIED WARRANTY OF MERCHANTABILITY OR FITNESS FOR A PARTICULAR PURPOSE ARE EXPRESSLY DISCLAIMED.**