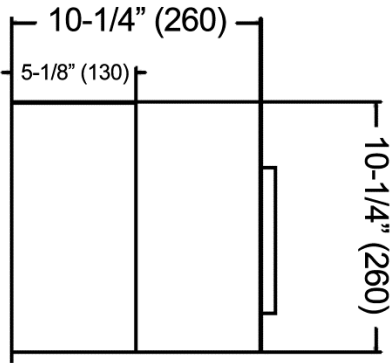




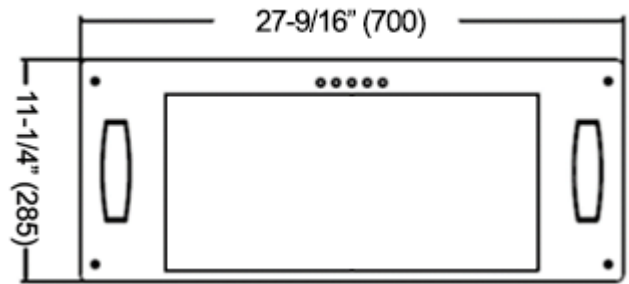
Product Diagram

MODEL NO.: IN2830SQP-XX (30")

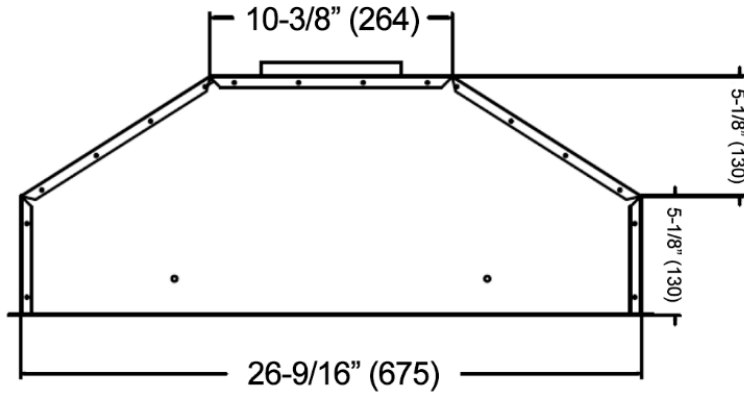
Side View



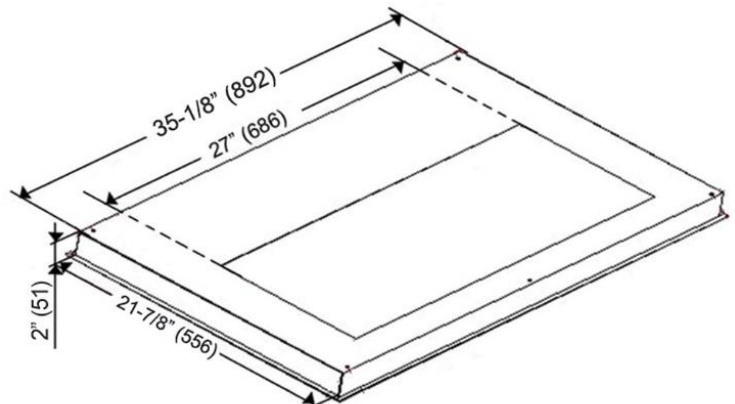
Bottom View



Front View

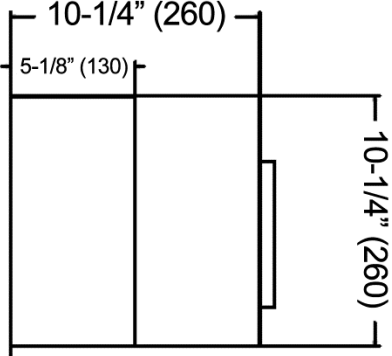


**Stainless Steel Liner (Sold Separately)
Model No. INL36211A**



MODEL NO.: IN2836SQP-XX (36")

Side View



Bottom View



Front View

