



ASSEMBLING & INSTALLATION INSTRUCTIONS

The drawing shown may not exactly match the product enclosed.
However, the installation instructions do apply to this product.

42688 42689

- ◆ **WARNING! SHUT POWER OFF AT FUSE OR CIRCUIT BREAKER.**
- ◆ **ATTENTION! COUPER LE COURANT AU FUSIBLE OU UN DISJONCTEUR.**

ASSEMBLING THE FIXTURE (Fig.2)

1. Return the arms to suitable position, see figure.2.
2. Attach the end pipe thread of the arm (H) into hole of the cover(G) and plate(F), then lock it security with the washer and hex nut (E) until tight. Using the same method install the others arm. Raise the assembly body to the bottom of the lamp body's junction box(**NOTE: Follow wiring instructions carefully , see fig.3**), now, the pipe thread protrude through the cover's hole, then lock it securely with the ball nut(I).
3. Put the cover(C) and candle sleeve (B) over the lamp holder. Attach the column(A) to the top thread hole of the lamp body(D), by turn it clockwise until tight.
4. Install the light bulbs(Not included) in accordance with the fixture specifications.
NOTE: DO NOT EXCEED THE SPECIFIED WATTAGE!

HANGING THE FIXTURE (Fig.1 Please see the Page.2)

IMPORTANT: For a safe and secure installation, this fixture must be installed by means of support that is independent of the junction box.

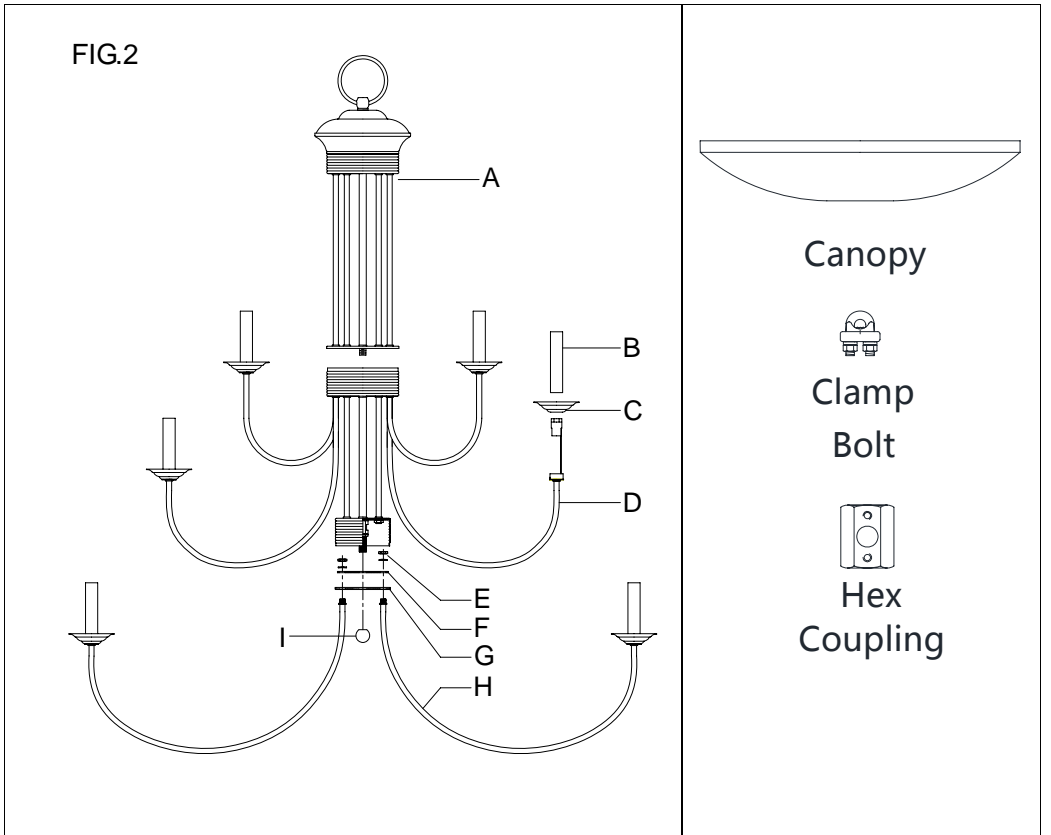
1. Shut off the power at the circuit breaker and remove old fixture from ceiling, including the old crossbar.
2. Provide a 1/4" IPS pipe screw with one end securely mounted to a beam or a structural member. The other end should protrude through the center of the junction box as shown. The junction box is not included.
3. Assemble the hex nuts, lock washer, hex coupling, pipe screw and ceiling loop(product shall prevail) to center 1/4"IPS support pipe and adjust overall length to allow the lock ring to hold the canopy flush to the ceiling. When the adjustments have been completed, secure the three (3) hex nuts, as shown.
4. Attach the chain to the fixture loop. Slip the lock ring and canopy over the upper end of the chain. Open the open link of the chain and lift the fixture to attach to the ceiling loop and close the open link.
5. Lace the fixture wires, ground wire and safety cable through the chain and loop, exiting through the side of the hex coupling.
6. **IMPORTANT: you must, run the safety cable through the two clamp bolts, then through the top of the junction box and secure to structural member. NOW, fasten the end of safety cable through the two clamp bolts(see fig.1), lock them securely with the four small hex nuts until tight.**

CONNECTING THE WIRES (Fig.3)

1. Take the black wire from the ceiling junction box and the smooth wire leg from the fixture and twist bare ends together. Twist wire connector onto end of wire until snug.
2. Repeat same process with white junction box wire and ribbed wire leg of fixture wire. **NOTE:** Twist wires together in the same direction you twist the wire connector onto wires.
3. If your junction box has grounding wire (green or bare copper), attach this wire

- and the bare copper wire from the fixture together as **step 1.**
4. Tuck these wire connections neatly into the ceiling junction box and then raise the canopy all the way to the ceiling. Raise the lock ring to the bottom of canopy, screw it with until tight.

Your installation is now complete. Return power to the junction box and test the fixture.



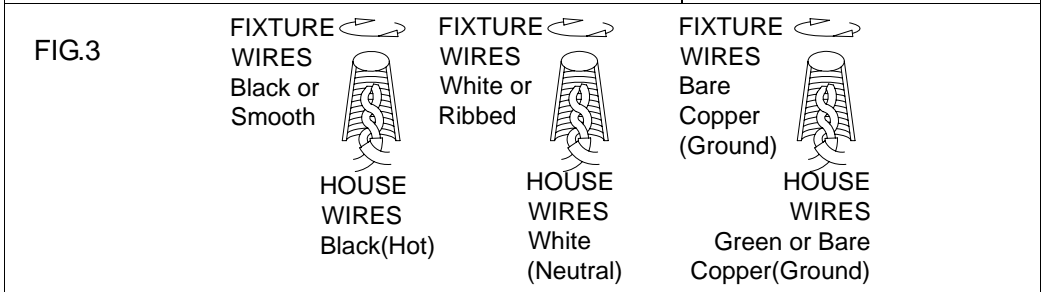
Canopy



Clamp Bolt



Hex Coupling



Thank you for purchasing a **LIVEX** product.
Need assistance with parts or assembly? Please call customer service at: **800-761-8056**
Or visit us on-line at: WWW.LIVEXLIGHTING.COM

ASSEMBLING & INSTALLATION INSTRUCTIONS FOR HEAVY MOUNTING FIXTURE

Fig.1

