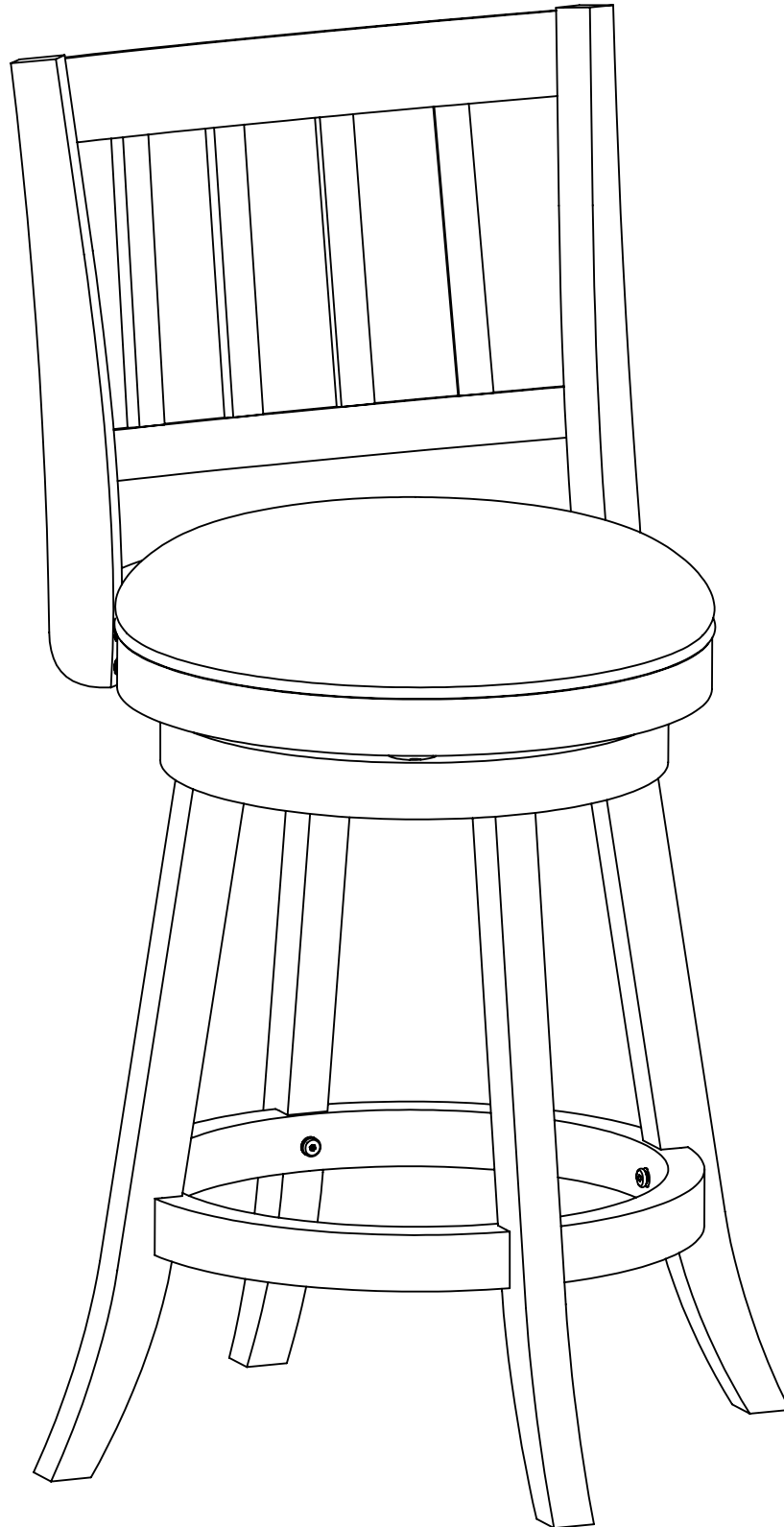




*Boraam Industries*  
**BLOOMINGTON SWIVEL STOOL**  
ASSEMBLY INSTRUCTIONS





**PLEASE READ ME FIRST**



- Have questions about assembling your item?



- Item or parts damaged?



- Missing a part?



- We're here to help!



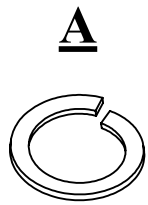
(847)949-6300 (M-F, 9am-5pm CST)



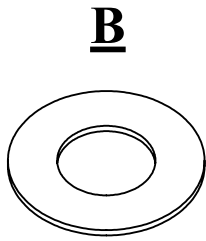
[www.boraamindustries.com](http://www.boraamindustries.com)



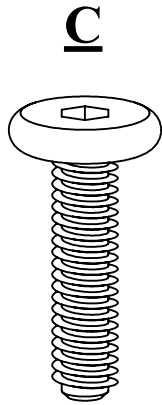
[customerservice@boraamindustries.com](mailto:customerservice@boraamindustries.com)



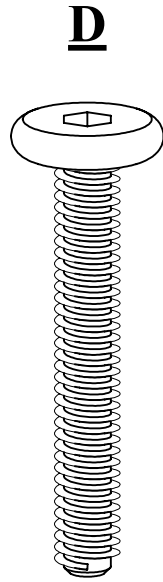
18 PCS



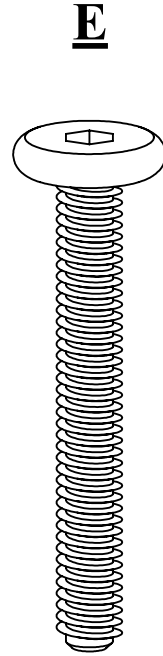
18 PCS



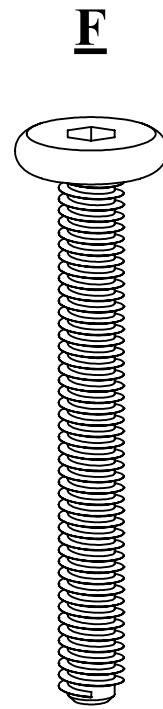
4 PCS



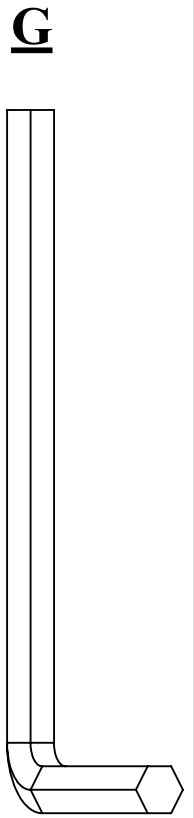
8 PCS



2 PCS

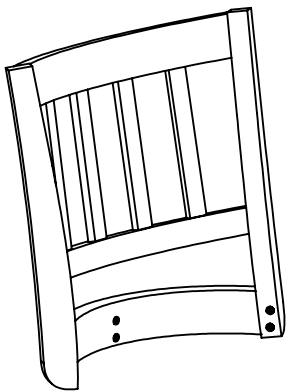


4 PCS

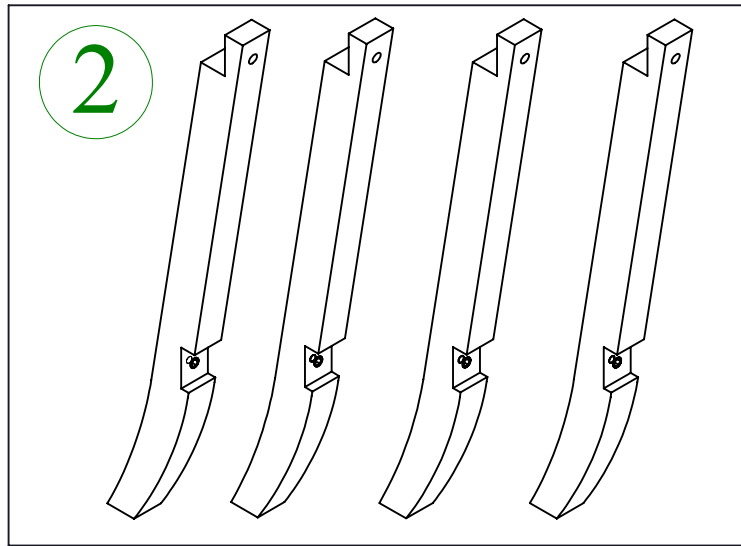


1 PC

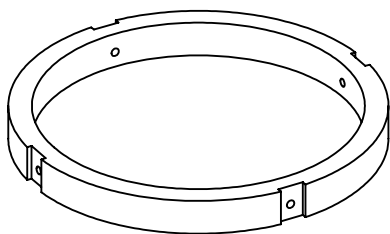
1



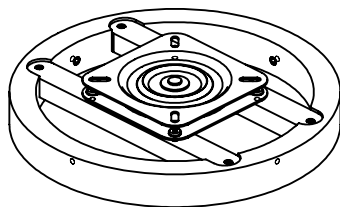
2



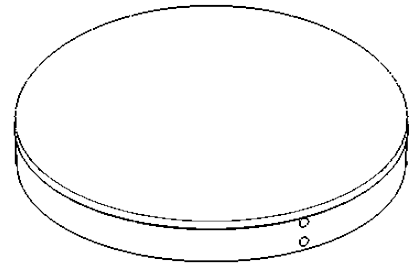
3



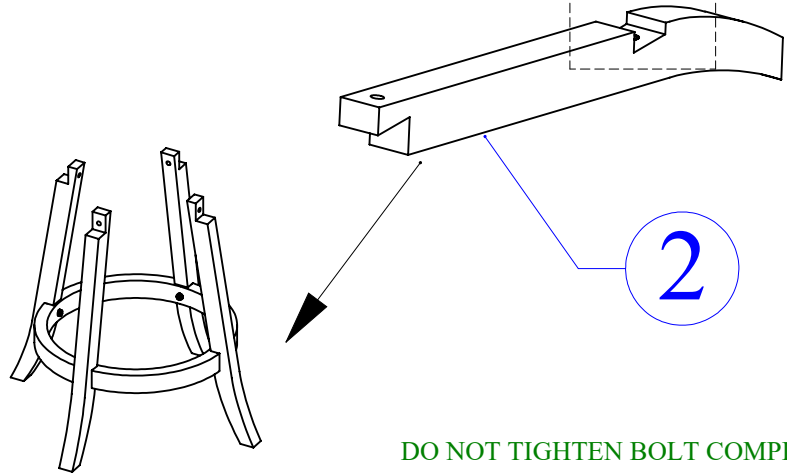
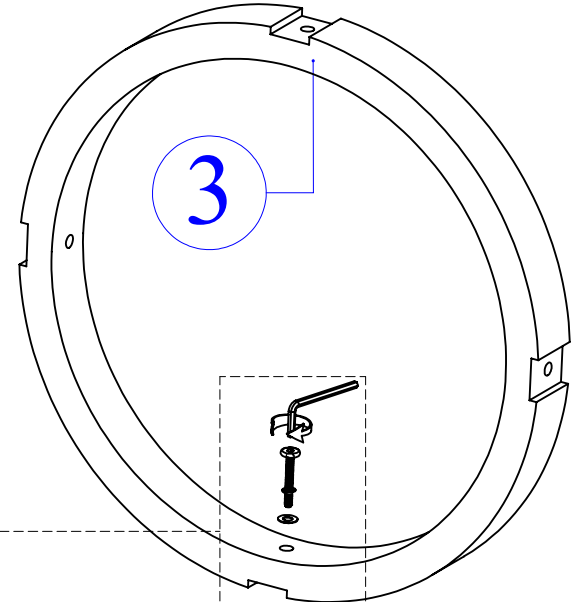
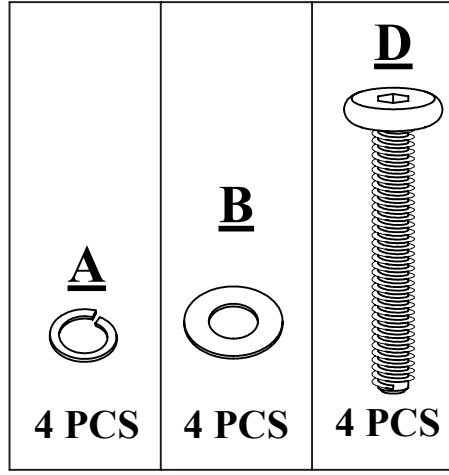
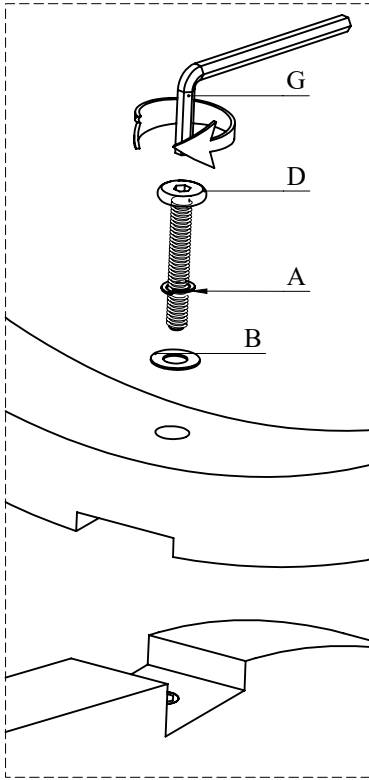
4



5

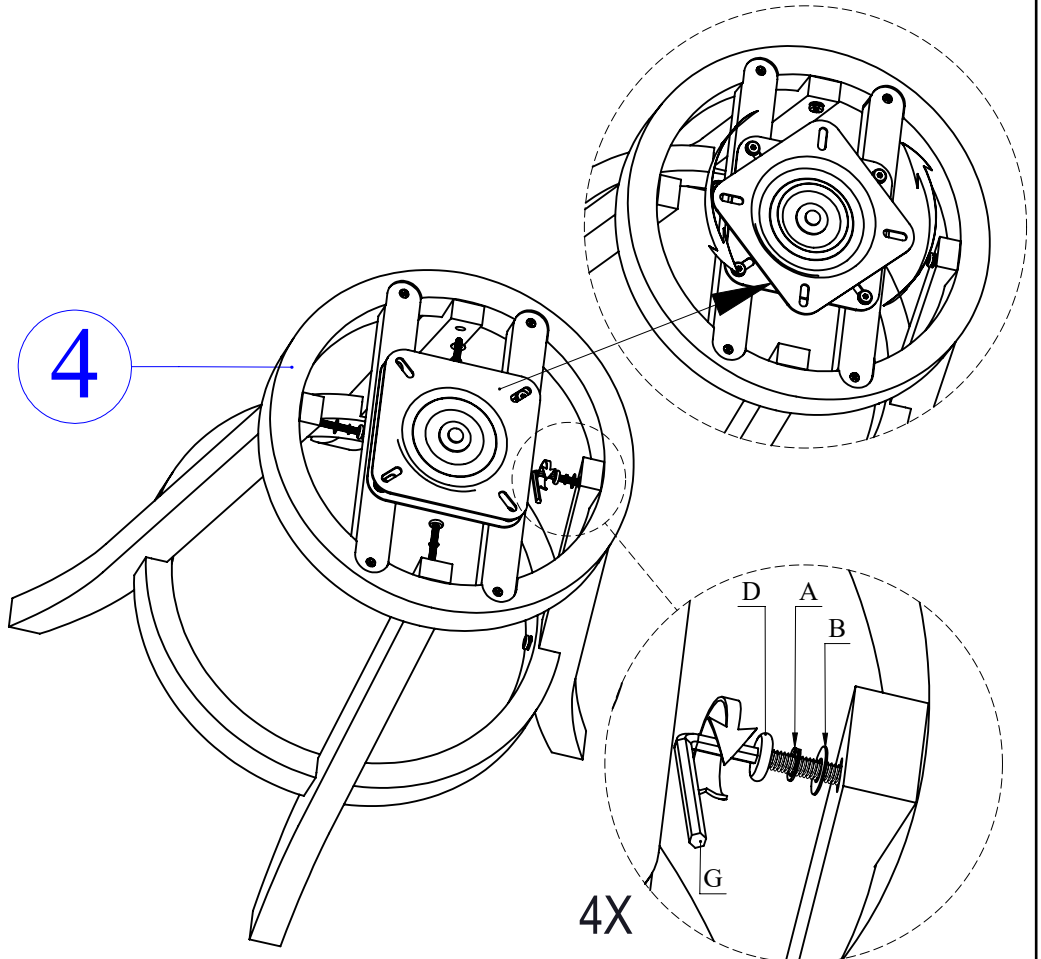
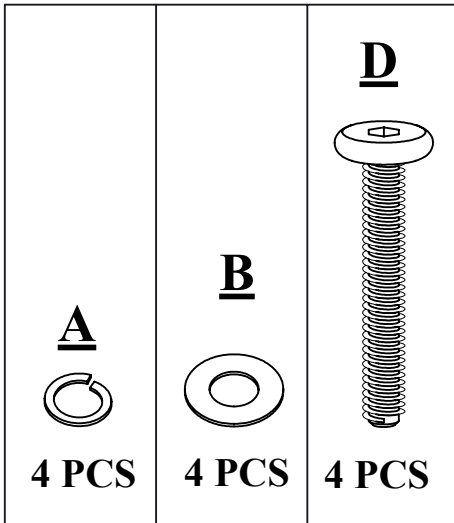


# 01



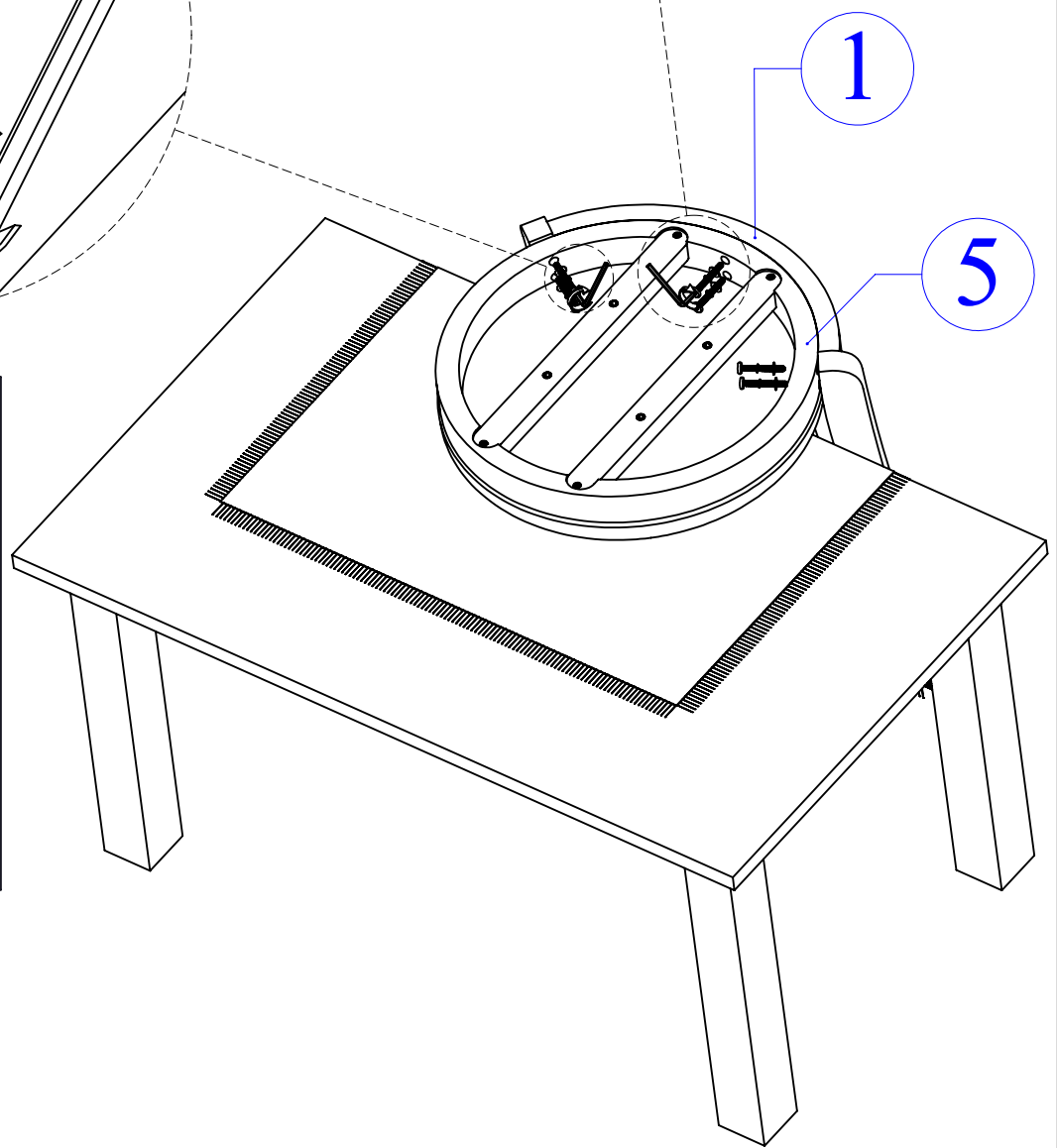
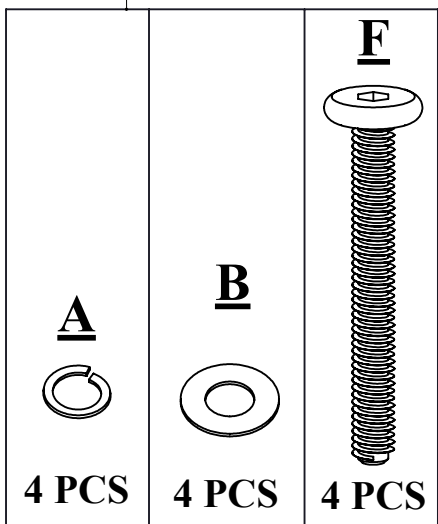
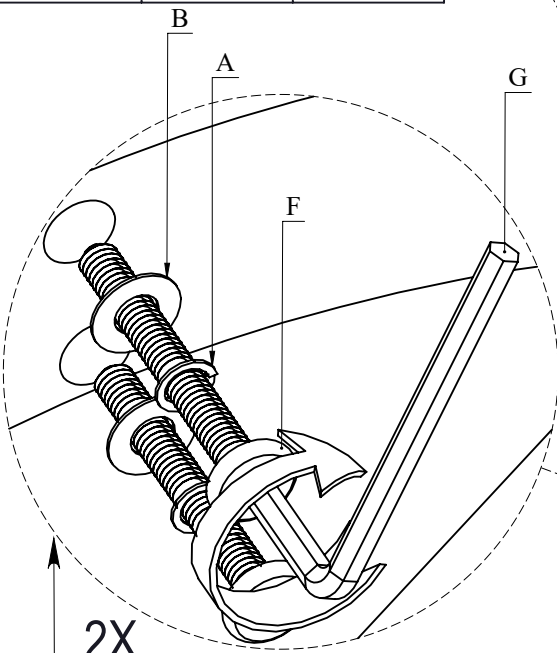
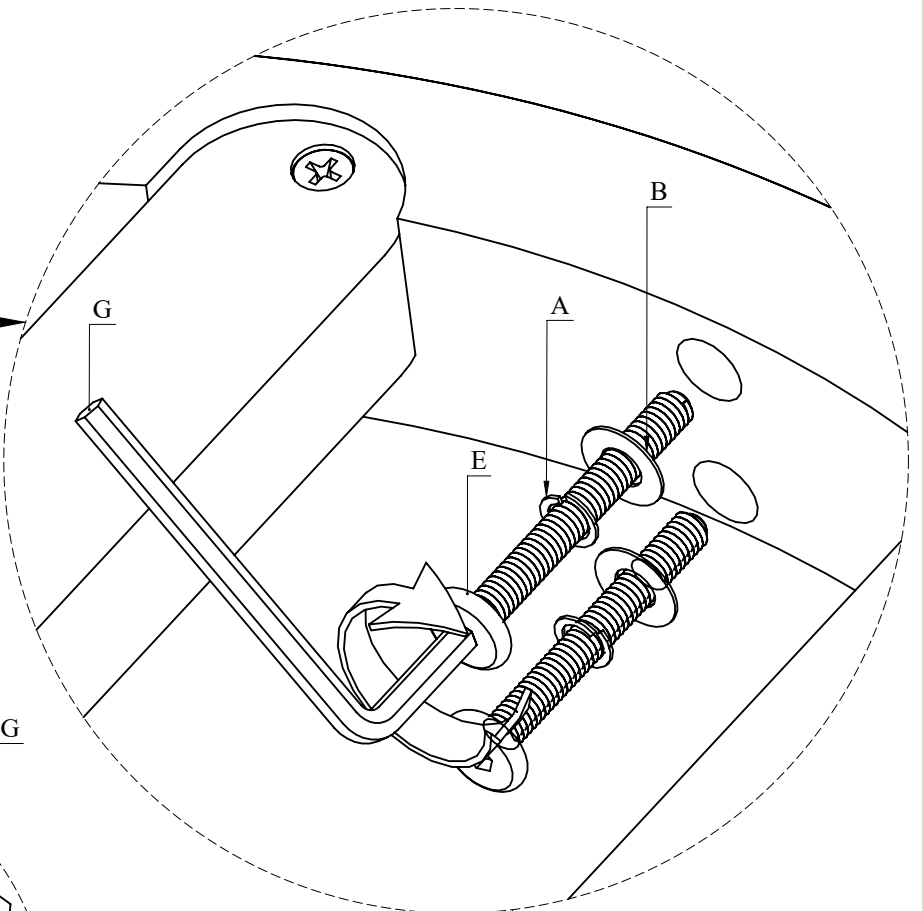
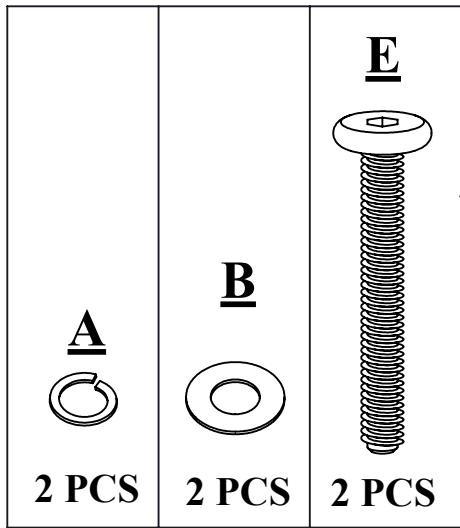
DO NOT TIGHTEN BOLT COMPLETELY.

# 02



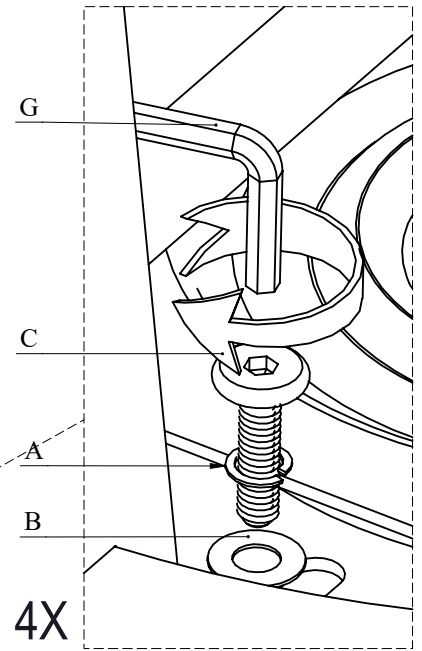
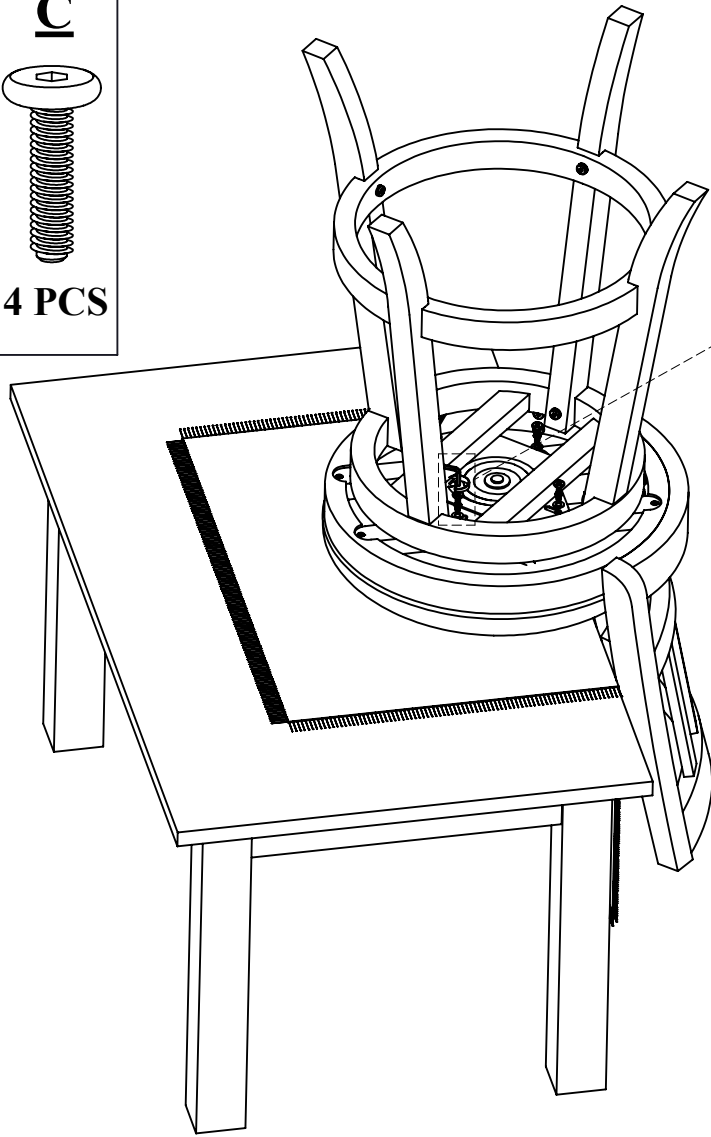
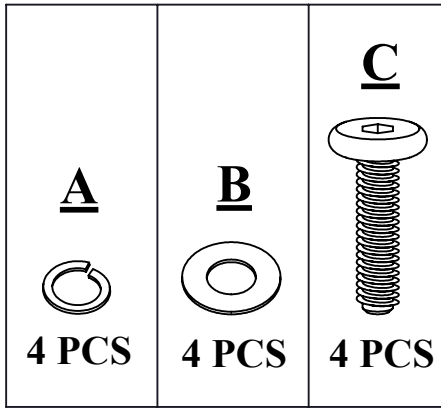
TIGHTEN BOLT COMPLETELY.

# 03

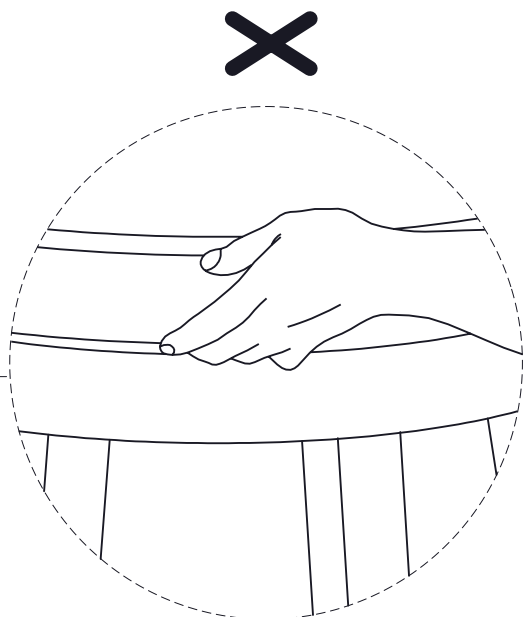
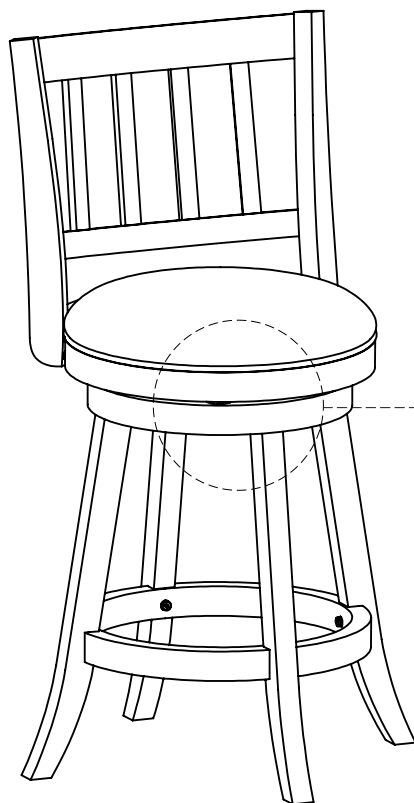


TIGHTEN BOLT COMPLETELY.

# 04



TIGHTEN BOLT COMPLETELY.



BE SURE TO CHECK ALL BOLTS ARE SECURELY TIGHTENED PRIOR USING THIS STOOL.