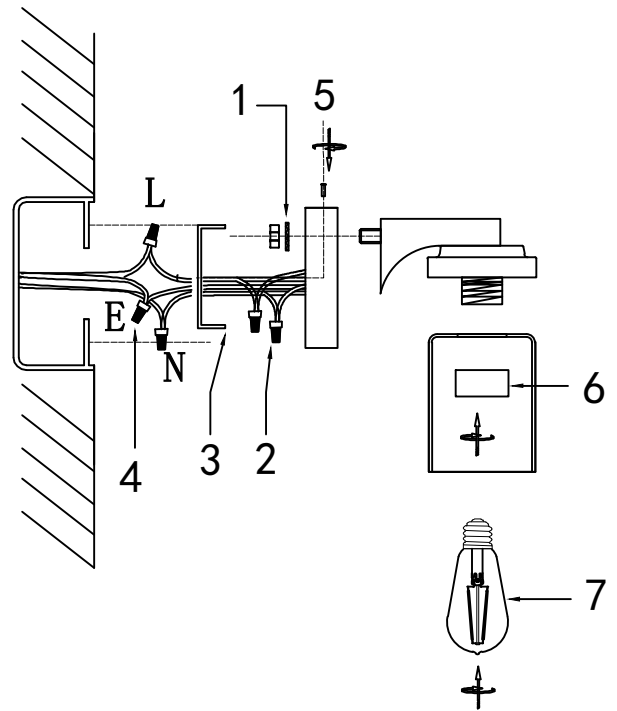


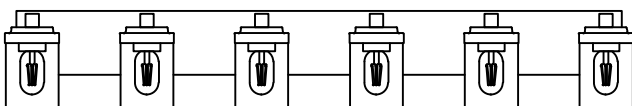
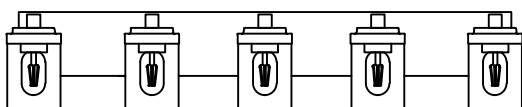
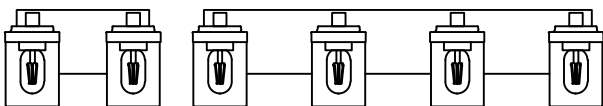
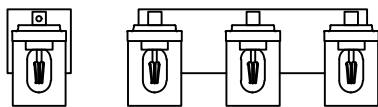
Product Manual

1. Install the lamp holder onto the rectangular metal finish and tighten the lamp base with screws.
2. Combine the wires of the corresponding colors, twist them together, and then tighten the connector.
3. Turn off the power, and install the mounting plate onto the junction box with screws.
4. Connect the wires on the lamp body to the corresponding wires in the junction box. (L), (E), and (N).
5. Mount the main body onto the mounting plate and secure it with screws.
6. Lock the glass shade onto the lamp holder using the lamp holder ring.
7. Install the E26 light bulb.



THN00305B-1
THN00305B-2
THN00305B-3

THN00305B-4
THN00305B-5
THN00305B-6



WARNING

(To reduce the risk of fire, electric shock, or injury to persons):

1. We suggest installation by a licensed electrician.
 2. Please read the instruction carefully and save it as you may need it at later time.
 3. Before you start, NEVER attempt any work without shutting off the electricity until the work is done. A) Go to the main fuse, or circuit breaker, box in your home. Place the main power switch in the "OFF" position. B) Place the wall switch in the "OFF" position.
 4. Mounting surface should be clean, dry, flat, strong enough and 1 / 4 " larger than the canopy on all side. Any gaps between the mounting surface and canopy exceeding 3 / 16 " should be corrected as required.
 5. Make sure that the ceiling or wall can bear the weight of the lamp before fixture.
 6. Make sure the voltage you are using is 120V. The maximum wattage is 60W per bulb.
 7. Keep the lamp away from acidic objects in case of damaging the surface of the lamp.
 8. When replacing bulb, you should turn off or unplug the lamp and you must wait until it is cool as bulbs get hot quickly.
 9. The safety instructions appearing in this manual are not meant to cover all possible conditions that may occur.
- It must be understood that common sense, caution and care must be used with any electrical products.
10. Do not touch the bulb or lamp shade during the lighting fixture working.
- Image for finished product: