

**Have product questions or need technical support?**

**Contact Us:**



Website: [www.poulanpro.com](http://www.poulanpro.com)



Toll free: 1-888-676-7909 Mon-Fri 8-4 CST



Email: [support@poulanpro-power.us](mailto:support@poulanpro-power.us)



**READ AND UNDERSTAND THE OPERATOR'S MANUAL AND ALL SAFETY WARNINGS BEFORE USE**

*Failure to operate the product correctly can result in damage to the product, personal property and cause serious injury or death.*

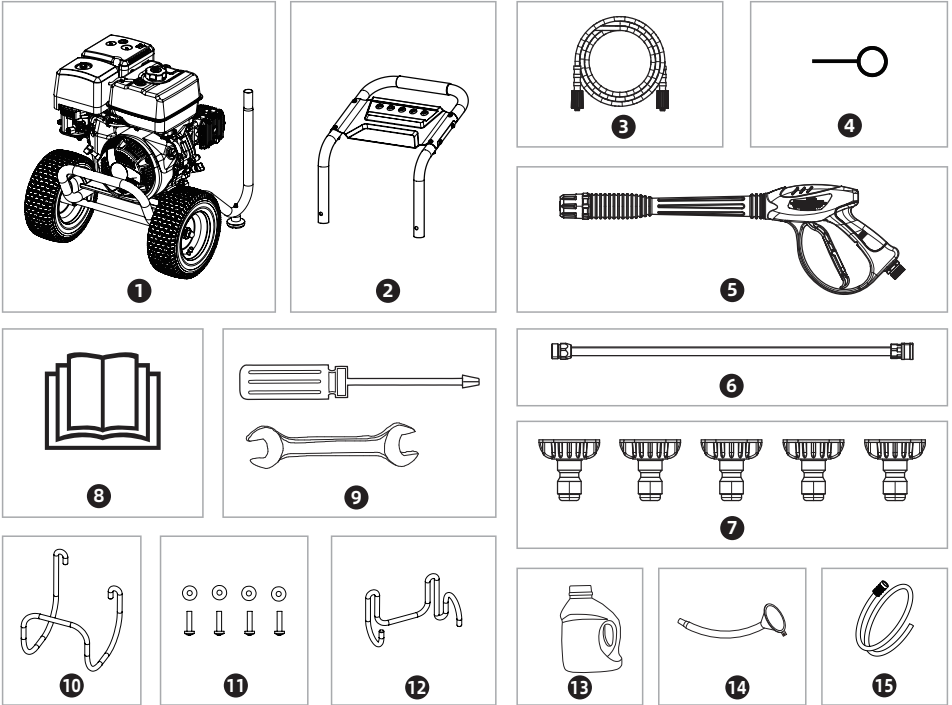
Manufactured under license from Husqvarna AB  
Poulan Pro® is a registered Trademark of Husqvarna AB  
Imported by Novus Performance Products  
W225N16708 Cedar Park Ct. Jackson, WI



Vol. 2025-01

## UNPACKING

Carefully remove the Pressure Washer out from the carton/box and place the unit on the ground or other solid surface. Do not discard the packaging until you have confirmed the following items are present.



1	Main Unit	8	Operators Manual & Quick Start Guide
2	Upper Handle	9	Tools - Wrench 10/8mm, Screwdriver
3	High Pressure Hose	10	Wire Hanger - High Pressure Hose
4	Nozzle Cleaning Tool	11	4 x M6 Bolts, Washers
5	Spray Gun	12	Holder - Spray Gun
6	Spray Wand	13	Oil Bottle
7	Spray Nozzles (5 pcs) 0°, 15°, 25°, 40°, Soap	14	Oil Funnel with tube
		15	Chemical Injection Tube And Filter

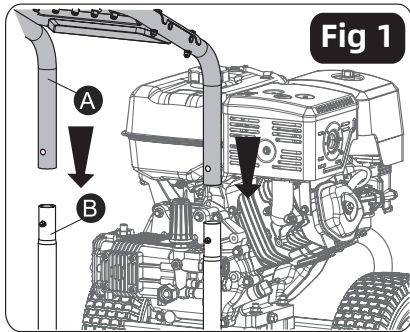
Please contact our customer support team at 1-888-676-7909 if any of the above loose parts are missing from the carton.

## ASSEMBLY

Your Pressure Washer requires limited assembly prior to use. If you have any questions regarding the assembly of this product, call our Technical Support Team at 1-888-676-7909 Mon-Fri 8-4 CST or by email at support@poulanpro-power.us. Please have your model and serial number available at the time of the call.

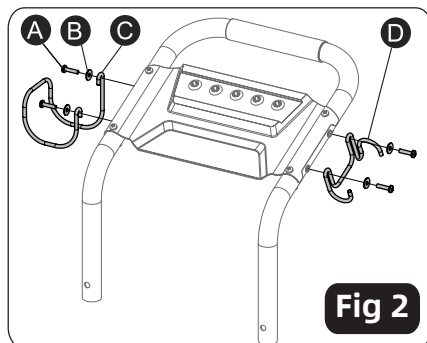
### 1. Install the Upper Handle

Align the two ends of the upper handle (A) with the two upright tubes of the engine base (B), and then press down firmly until positioning pins pop into place on both sides. Fig 1



### 2. Install the high-pressure hose hook and spray gun hook

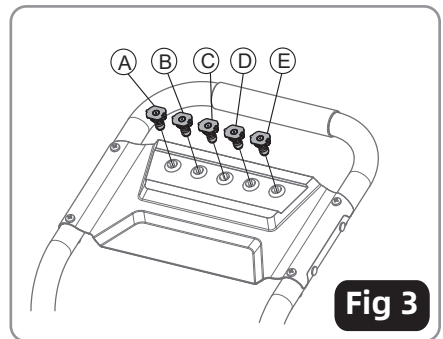
- Install the High-pressure Hose holder (C) onto the left side of the upper handle using two M6x25 mm Phillip head screws (A) and two M6 flat washer (B). Hand tighten.
- Install the Spray Gun holder (D) onto the right side of the upper handle using two M6x25 mm Phillip head screws (A) and two M6 flat washers (B). Hand tighten. Fig 2



### 3. Spray Nozzles

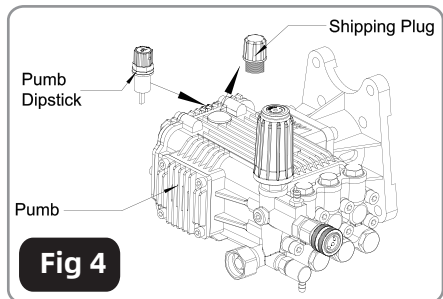
Press the spray nozzles into their corresponding color matched openings on the pressure washer's top panel. Fig 3

- A) Red = 0°, (B) Orange = 15°, (C) Green = 25°, (D) White = 40°, (E) Black = Soap.



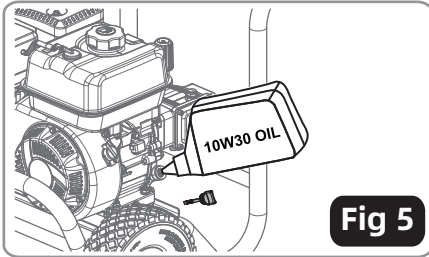
### 4. Pump Assembly

Remove the red shipping plug from the Pump and replace with the included Pump Oil Dipstick. Fig 4



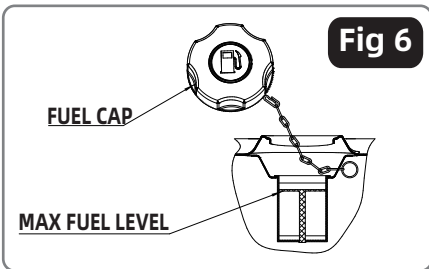
## 5. Add Engine Oil

1. Place the unit on a flat, level surface.
2. Remove the oil dipstick by turning counterclockwise.
3. Using a funnel, add 37.oz.(1.1L) of oil to the engine. The oil should be near the top thread of the filler neck.
4. Check the oil level using the dipstick. DO NOT screw in when checking.
5. When finished screw in the dipstick securely.Fig 5



## 6. Add Fuel

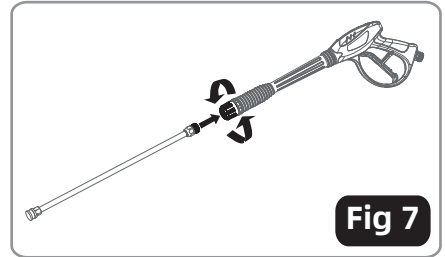
1. Slowly add fresh, regular unleaded gasoline containing 10% or less ethanol to the tank until it reaches the Red fuel level indicator of the fuel screen. DO NOT overfill. A minimum of ¼ in. (6.4 mm) of space left in the tank is required for gasoline expansion. Fig 6



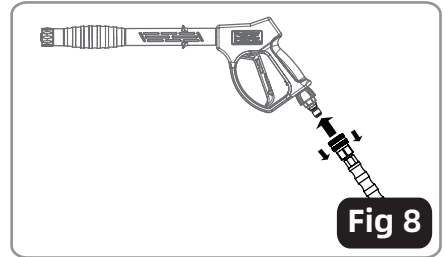
2. Replace and tighten the fuel tank cap
3. Immediately wipe up any spills

## 7. Assemble spray gun and high-pressure hose

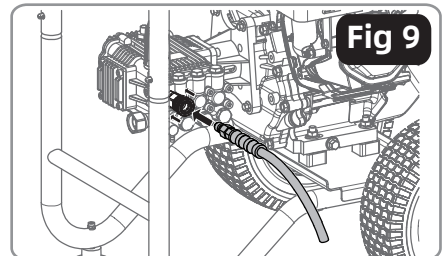
- a. Attach the spray wand onto the gun by rotating the coupler nut clockwise until hand tight. Do not overtighten.Fig 7



- b. Attach the high-pressure hose to the spray gun by pulling back on the quick connect collar of the high-pressure hose, slide the fitting on the spray gun into the quick connect and release the collar. Pull firmly on the hose to ensure it is secure. Fig 8

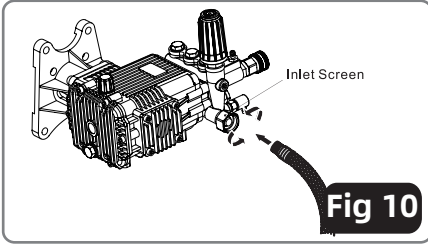


- c. Uncoil and straighten the high-pressure hose to prevent kinks. Connect the open end of the high-pressure hose to the high-pressure outlet by pulling the quick connect collar back, inserting the high-pressure hose and releasing the collar. Pull firmly on the hose to ensure it is secure. Fig 9



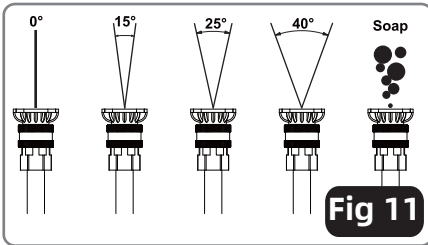
## 8. Connect Water Supply - Garden Hose.

With the water turned off, connect the garden hose to the water inlet by turning the coupler counterclockwise and tighten by hand. Fig 10

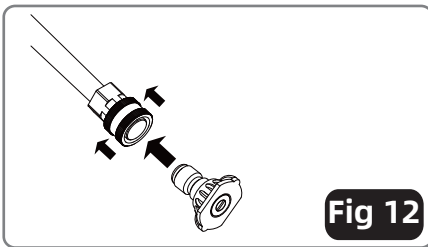


## 9. Connect Spray Nozzle

1. Engage the trigger safety lock on the spray gun.
2. Select a spray nozzle according to your cleaning needs. Fig 11



3. Pull back on the spray wand quick connect collar and insert the desired spray tip and release the collar. Tug on the spray tip to ensure it is firmly secure. Fig 12



## Congratulations

your machine is now ready to operate. Please read the entire operator's manual for full safety and operations guidelines.

## STARTING AND OPERATING PROCEDURES

This section of the quick start guide provides the basic instructions on how to start and operate your new water pump. This quick start guide is not a comprehensive guide, we recommend the operator's manual is read and understood before using your new equipment.

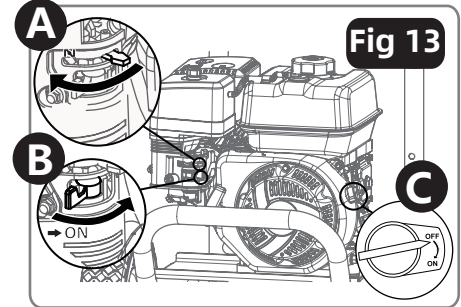
### IMPORTANT INFORMATION



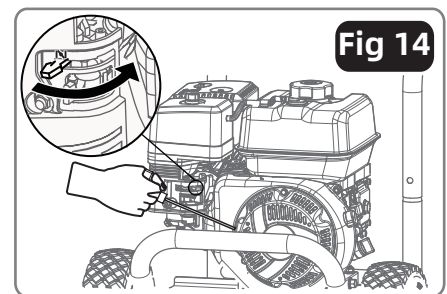
Prior to attempting to start the engine the water supply must be connected to the pump and turned on.

### Starting the Engine

1. Check oil level and add oil if necessary.
2. Make certain the unit is on a flat, level surface.
3. Slide the Choke Lever (A) to the full CHOKE position (Fully Left).
4. Move the Fuel Valve lever (B) to the ON position (Fully Right).
5. Turn the Engine ignition switch (C) to the ON position. Fig 13



6. Pull the starter handle slowly until resistance is felt, then pull rapidly. Note: Return the starter handle slowly back to the engine to prevent damage to the starter.
7. Once the engine starts, slowly slide the CHOKE lever to the OFF position. (Fully Right). Fig 14



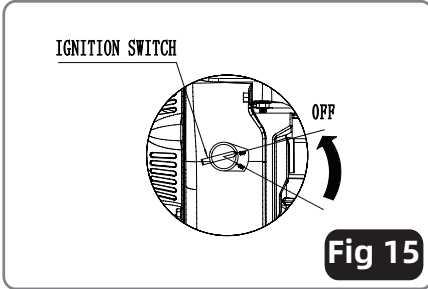
## Stopping the Engine

### In an Emergency:

Turn the engine switch to the "OFF" position.

### Under Normal Operation:

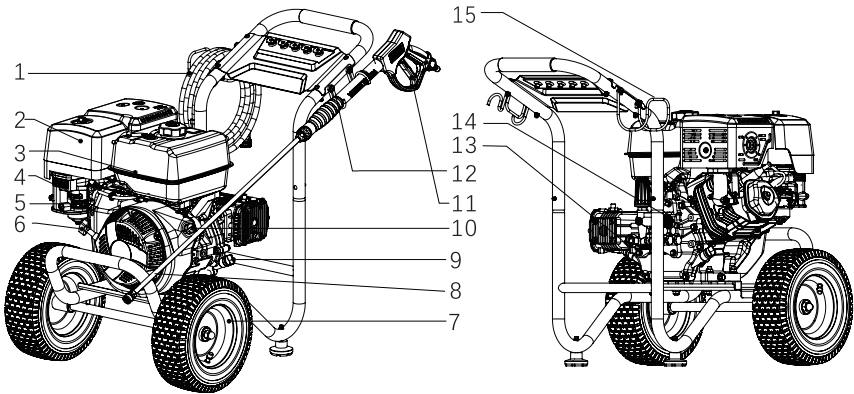
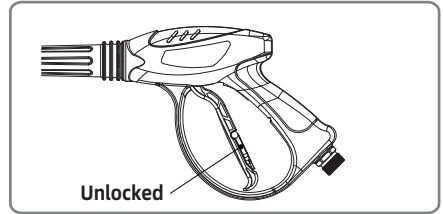
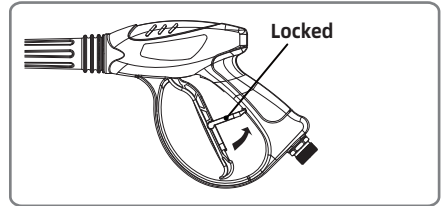
1. Move the Fuel Valve Lever fully to the left. (OFF position).
2. Turn the engine ignition Switch to the "OFF" position. Fig 15



## Pressure Washing

Once the engine starts, firmly grasp the spray gun with both hands. Point the spray gun in a safe direction, disengage the spray gun trigger lock by pressing down until it clicks into the back of the trigger.

- Depress the spray gun trigger to begin spraying.
- Release the trigger to stop spraying.



1	High Pressure Hose
2	Air Filter
3	Fuel Tank
4	Choke Lever
5	Fuel Valve Lever
6	Recoil Start Handle
7	Wheel
8	Spray Wand

9	Oil Dipstick / Fill Cap
10	Ignition ON / OFF Switch
11	Spray Gun
12	Spray Gun Holder
13	Garden Hose Inlet
14	High Pressure Hose Outlet
15	High Pressure Hose Holder