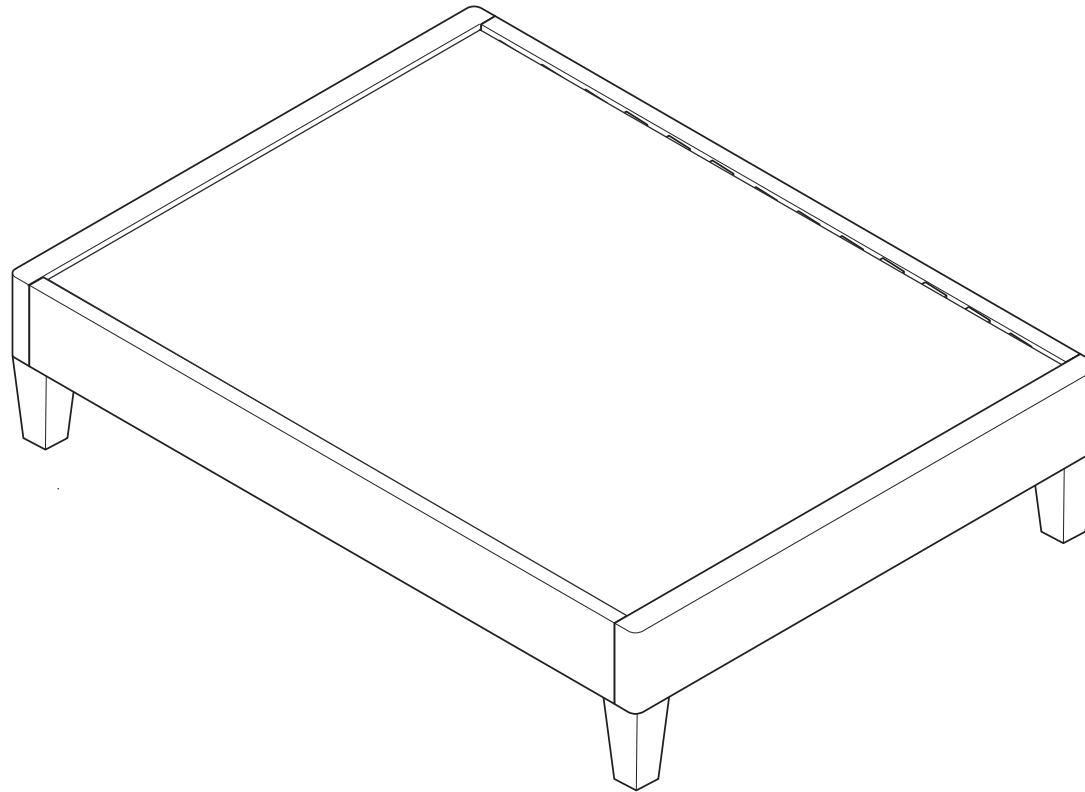




LIFESTYLE
S O L U T I O N S

NAPLES FULL SIZE BED

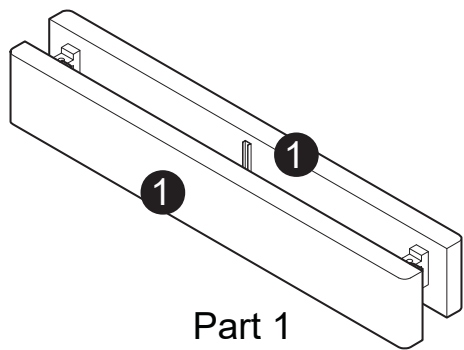
ASSEMBLY INSTRUCTIONS



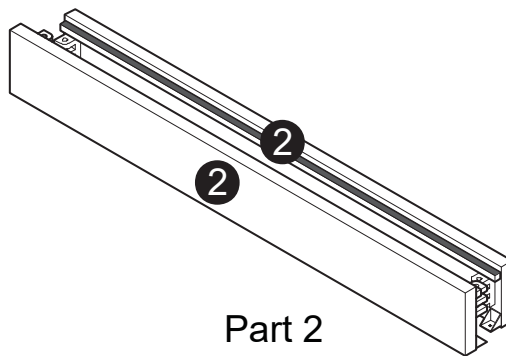
WARNING

- This product has been designed for sleeping two (2) average adults. To prevent injury and damage to this unit, PROHIBIT jumping on it.
- This product is designed for home use and not intended for commercial use.
- Children under the age of 5, small infants and babies should not sleep alone on this product for safety reasons.
- Recommended # of people needed for handling: 2 (however it is always better to have an extra hand.)
- THIS INSTRUCTION BOOKLET CONTAINS **IMPORTANT** SAFETY INFORMATION. PLEASE READ AND KEEP FOR FUTURE REFERENCE.

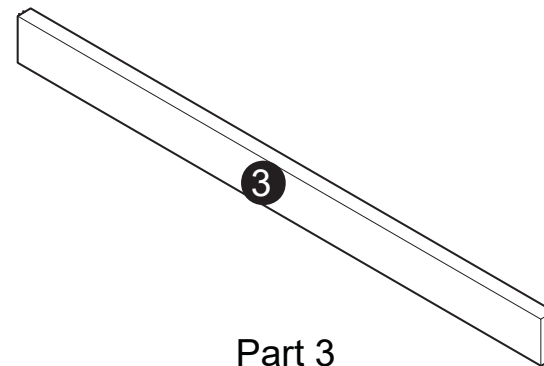
PARTS



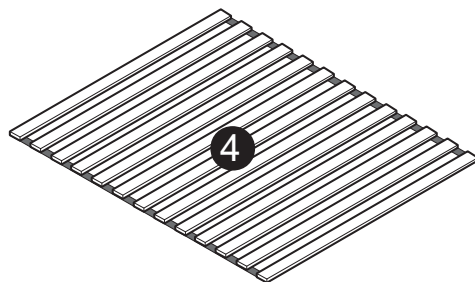
Part 1
QTY:2



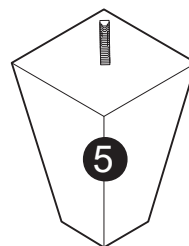
Part 2
QTY: 1Pair



Part 3
QTY:1



Part 4
QTY:1Set



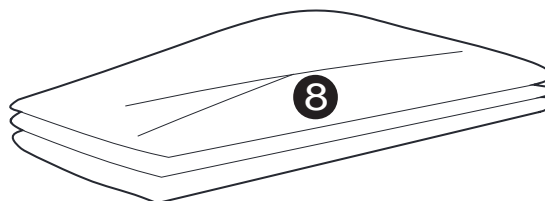
Part 5
QTY : 4



Part 6
QTY:2

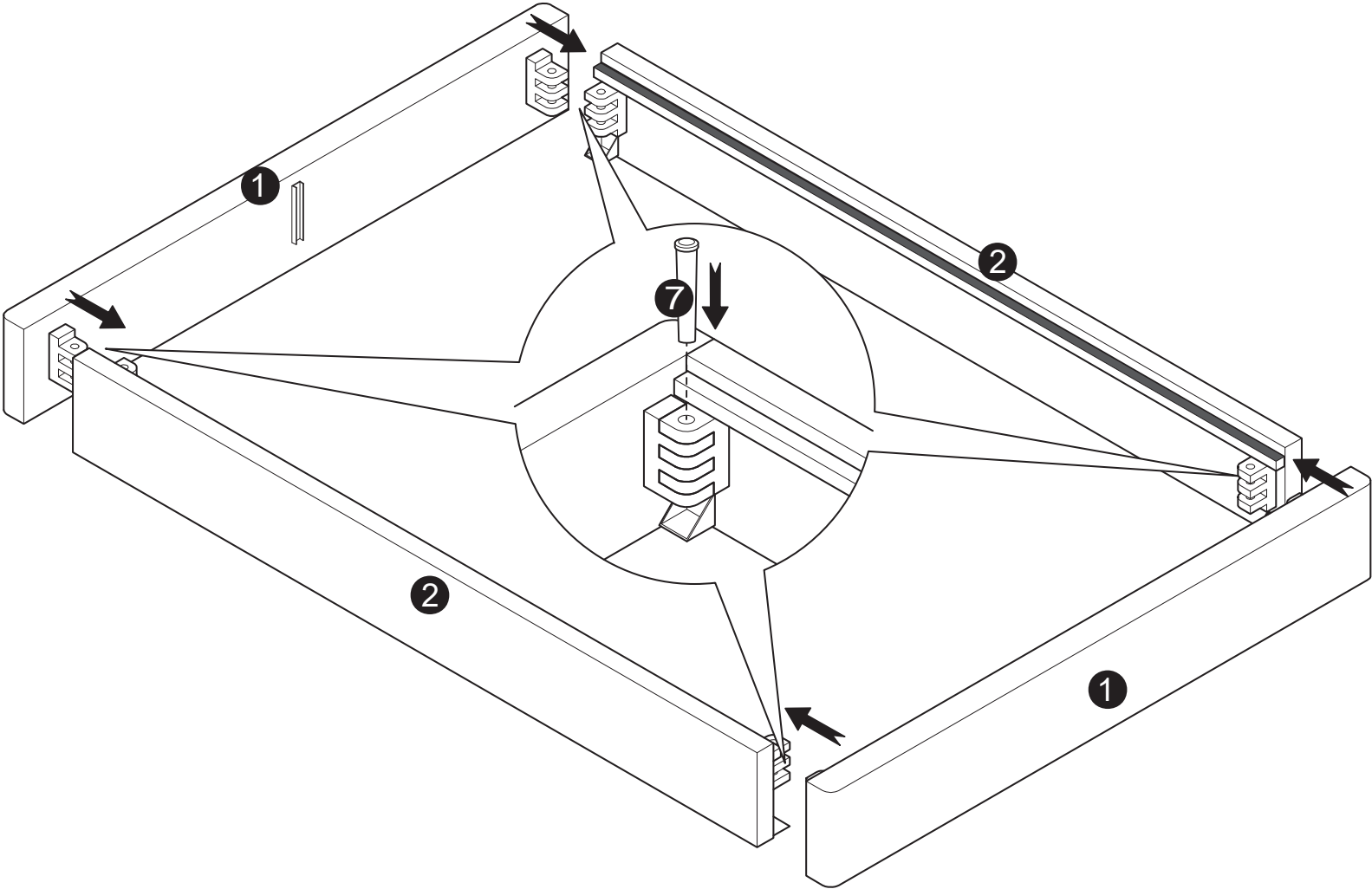


Part 7
QTY:4

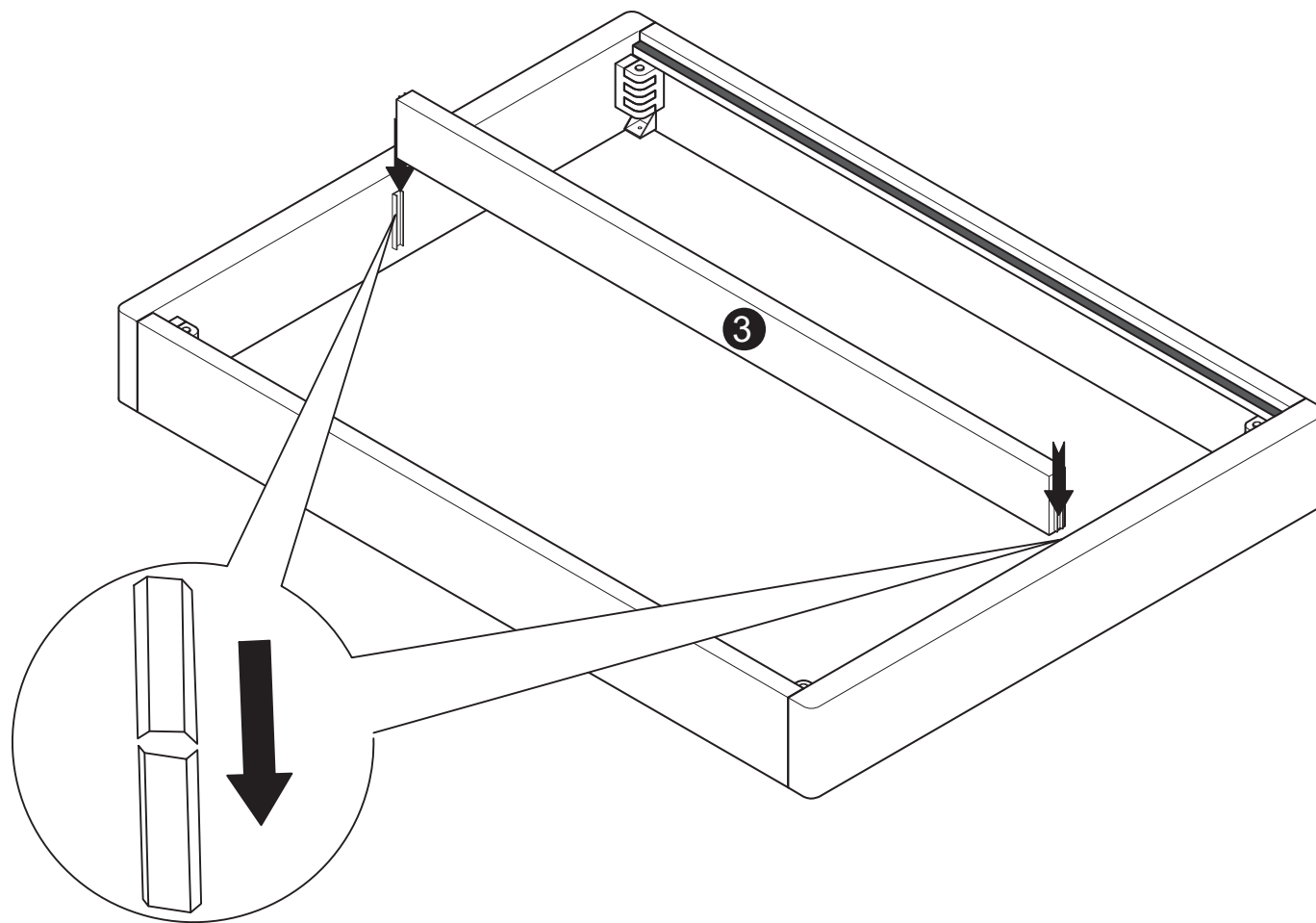


Part 8
QTY:1

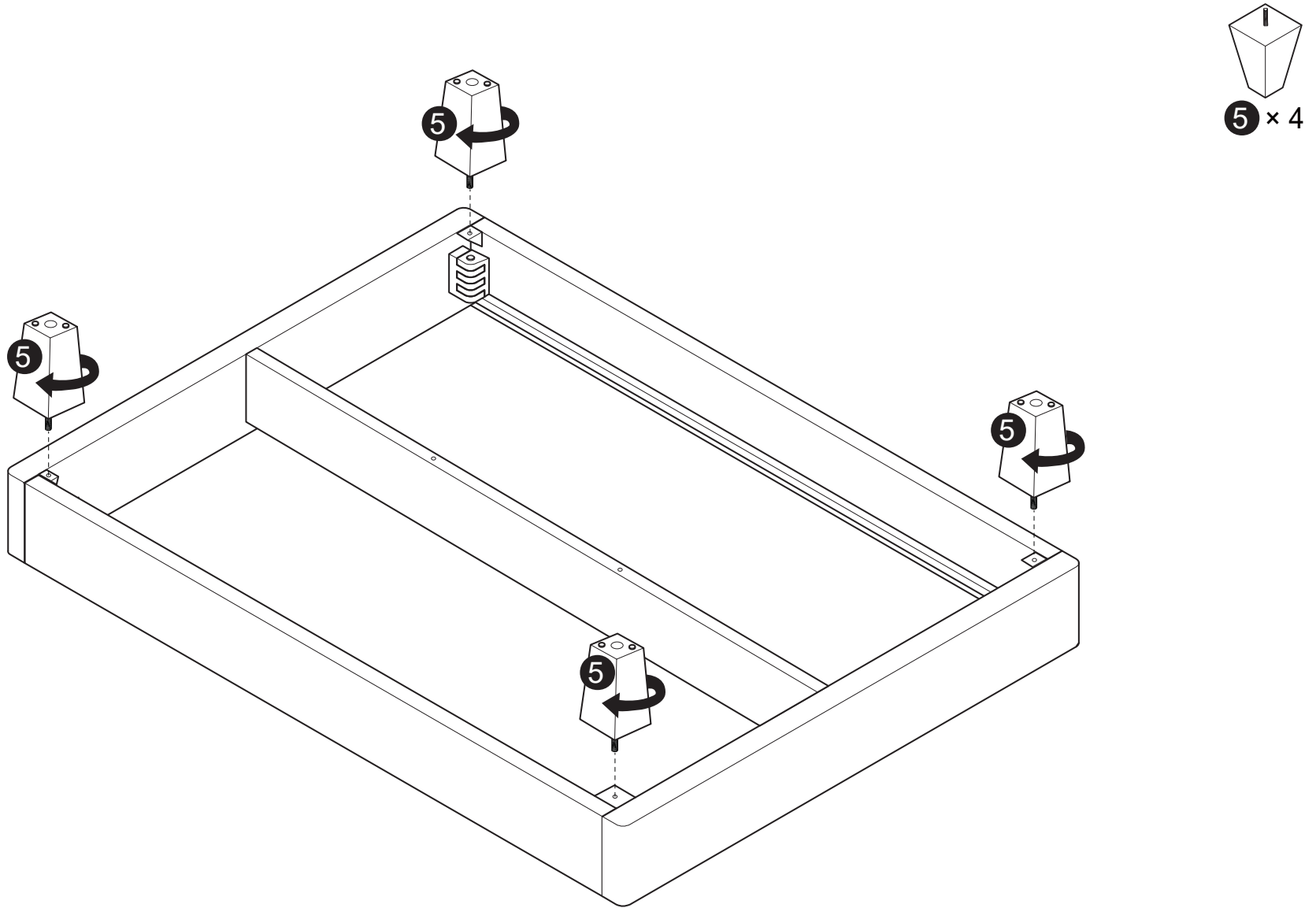
Step 1 :



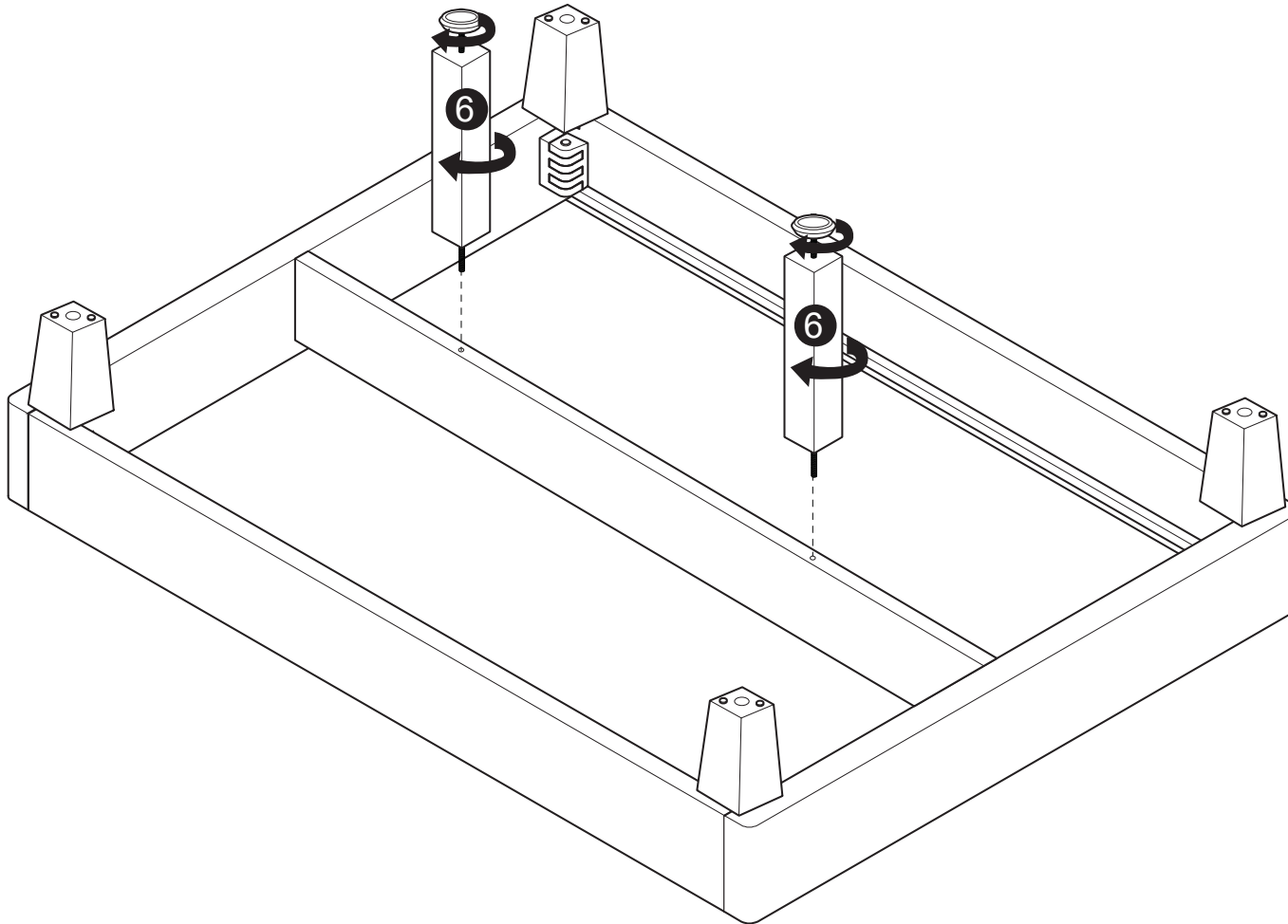
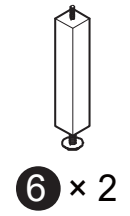
Step 2 :



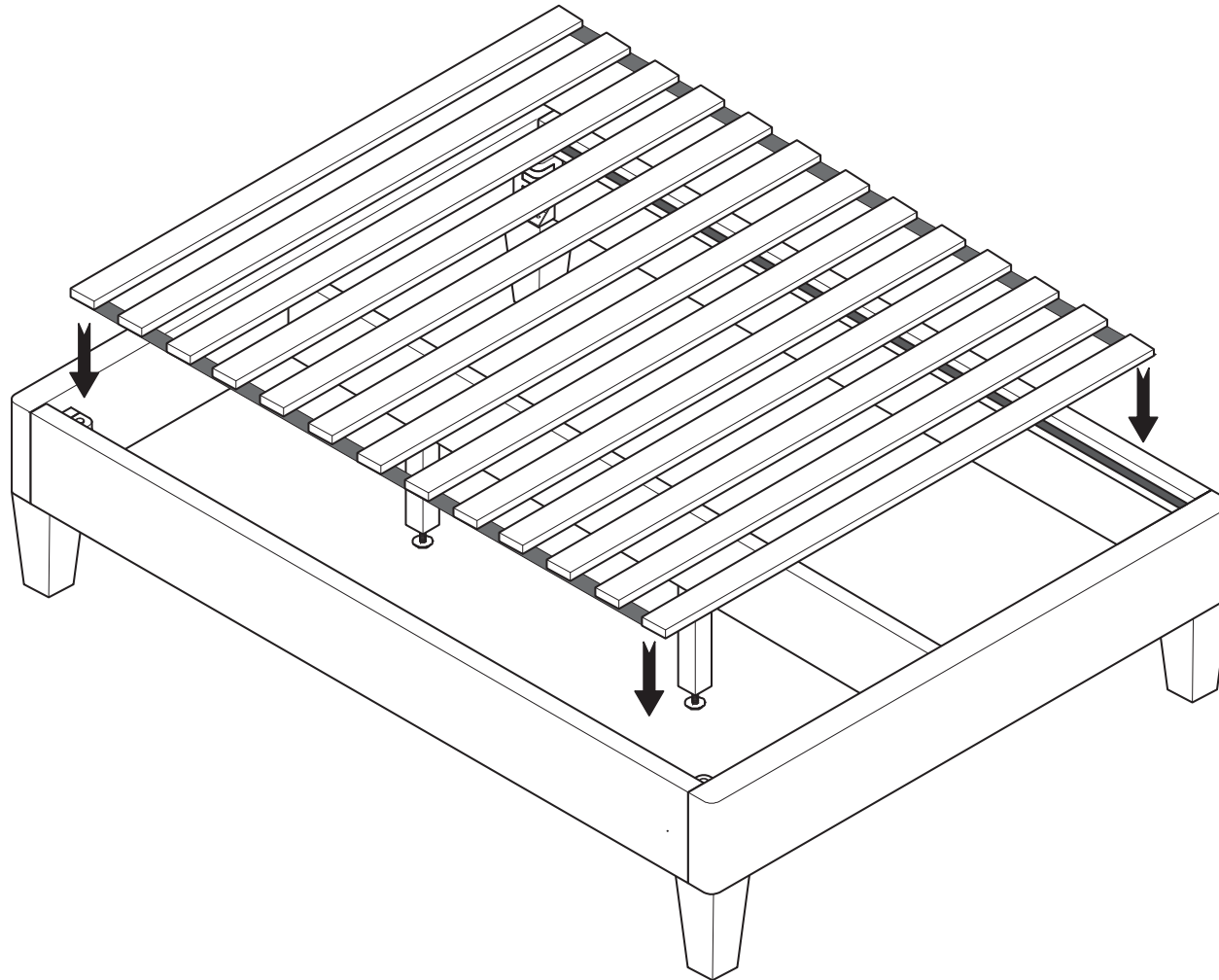
Step 3 :



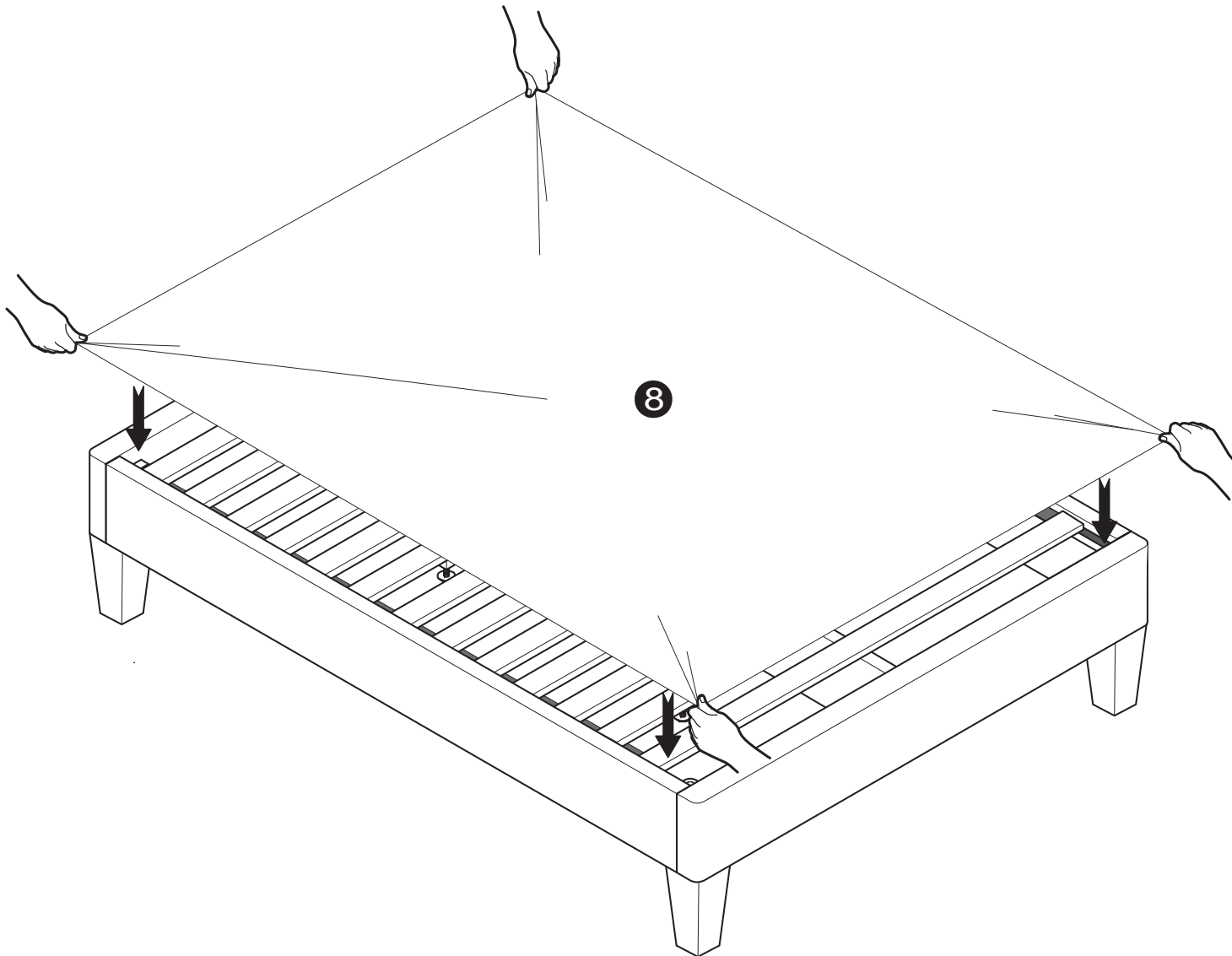
Step 4 :



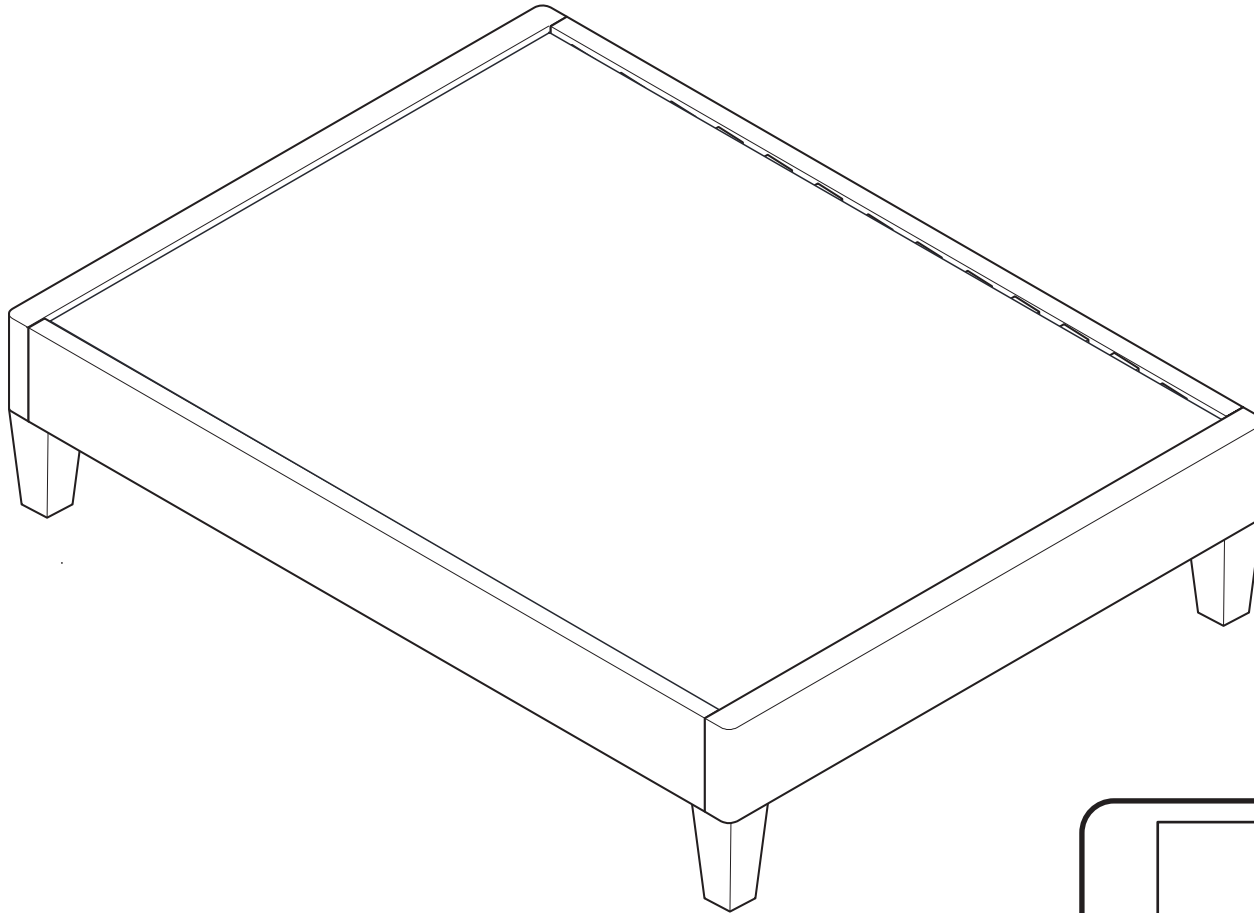
Step 4 :



Step 5 :



INSTALLATION COMPLETE :



Need assistance?
Please call :
866-626-7826

For prompt, reliable service; please have your assembly manual ready.