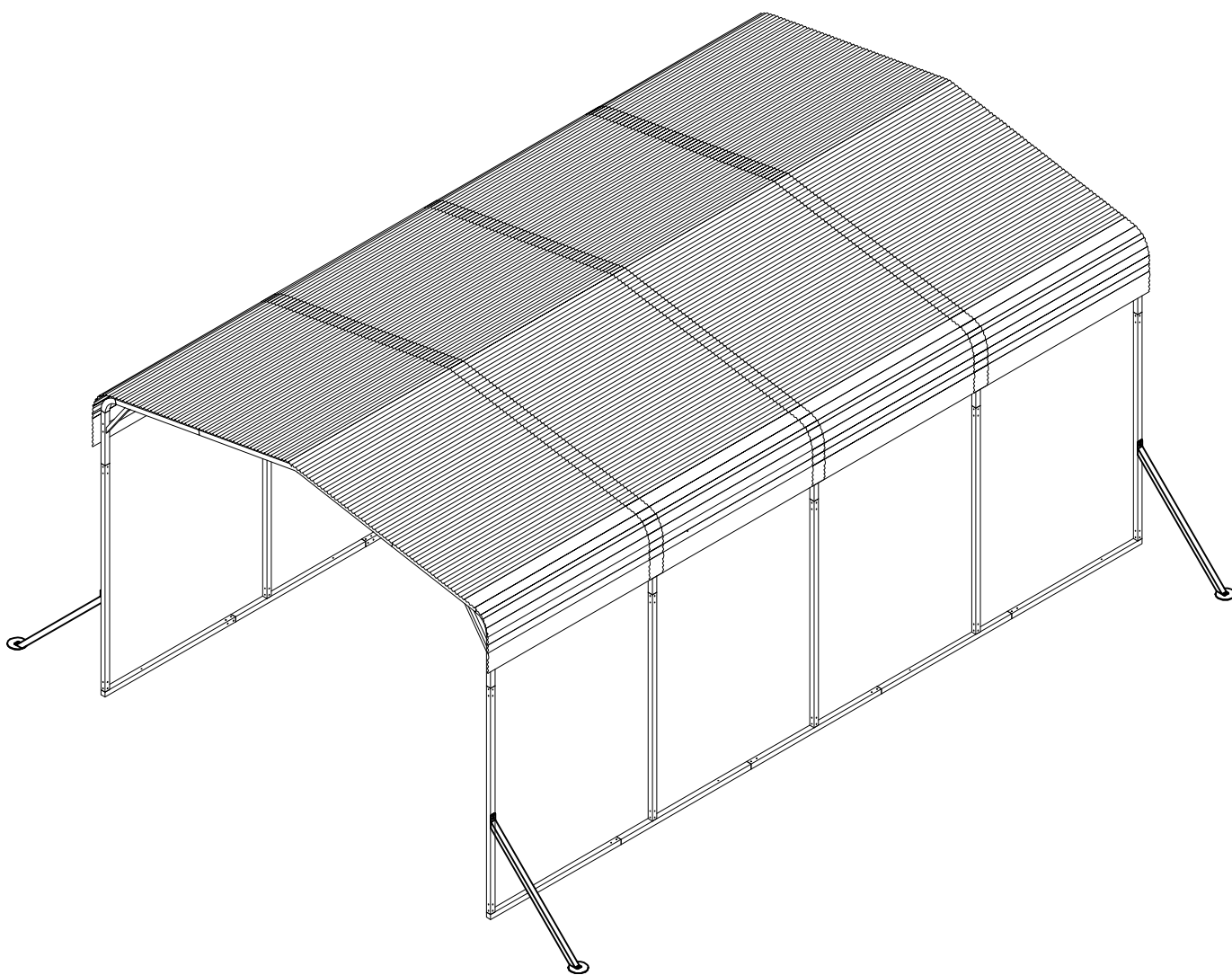


12 x 20 FT Heavy-Duty Metal Carport Manual

Recommended number of installers: 4 adults



“



Warm Reminder

If you experience any issues with our product (including missing parts, damage, installation issues, or not meeting expectations), please contact us. We'll ensure satisfactory assistance within 24 hours.

Email: service@mondawe.com

”



General Guidelines

- Please read the following instructions carefully and use the product accordingly.
- Please keep this manual and hand it over when you transfer the product.
- This summary may not include every detail of all variations and considered steps. Please contact us when further information and help are needed.

Notes

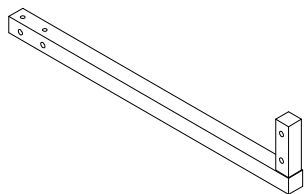
- The product must be assembled and used in accordance with the provisions of the manual.
- The seller does not assume any responsibility or liability with respect to any injury/damage caused by incorrect assembly or improper use.
- If there are any defective or missing parts after unpacking, please cease assembly immediately and contact us.
- Please assemble the item on a spacious surface and do not place the unwrapped product directly on the ground to avoid product damage.
- Please wear gloves during the assembly and/or disassembly process to avoid scratches from any sharp edges.
- Please match the corresponding part and fitting based on the part number in the manual.
- If the part does not match with the fitting, please check the piece as specified in this manual.
- During assembly, first loosely align all screws with the corresponding pre-drilled holes and then tighten the screws one by one.
- Periodically inspect screw tightness while the product is in use. If necessary, retighten to ensure structural integrity.
- Please keep the product away from sharp, pointed objects and corrosive substances to prevent product damage.
- Please place this item on level, solid ground during use.

Warnings

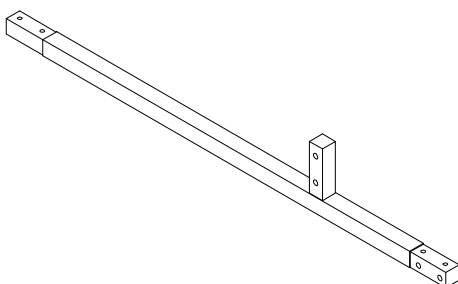
- During assembly, keep all small parts out of the reach of children. It may be fatal if swallowed or inhaled.
- Children should not climb or play on the product in order to avoid tipping over the furniture and causing serious injury.
- To avoid the potential dangers of suffocation, please keep all parts and packaging (film, plastic bags, foam, etc.) away from babies and children.
- Keep sharp objects and corrosive items away from the product to avoid any damage or injury.
- Do not shake or move violently during use to avoid tipping over the product.

✉ service@mondawe.com

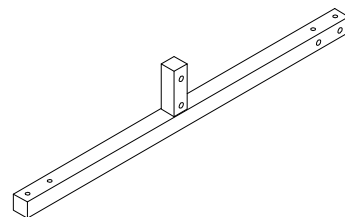
Part list



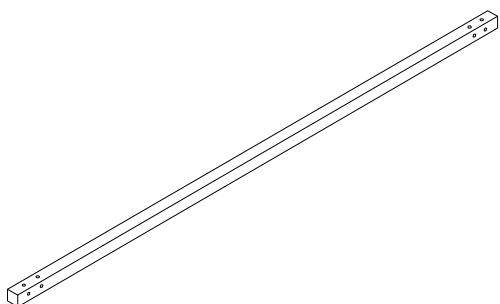
① X4



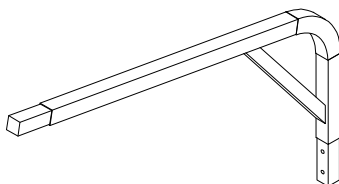
② X4



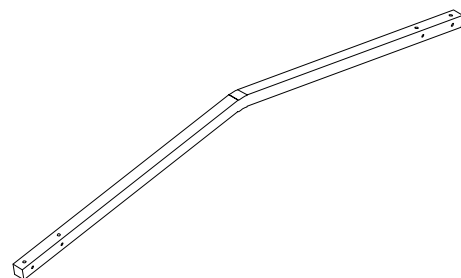
③ X2



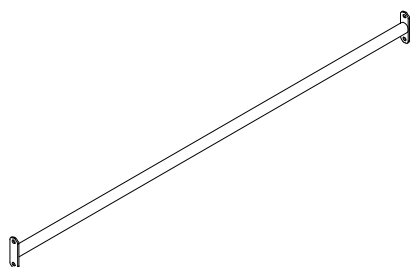
④ X6



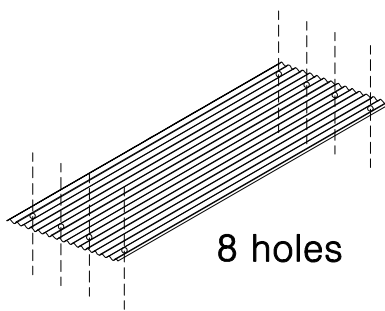
⑤ X10



⑥ X5

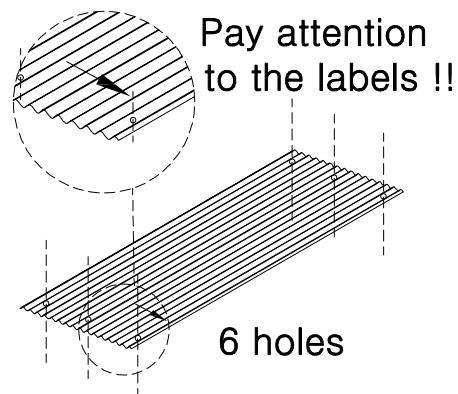


⑦ X12



8 holes

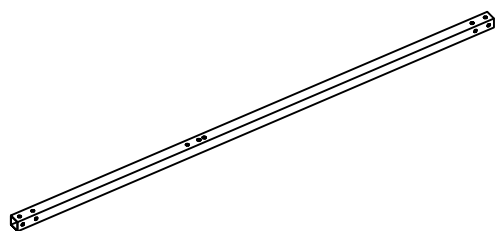
⑧ X4



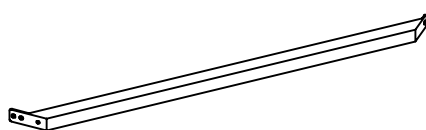
Pay attention to the labels !!

6 holes

⑨ X32

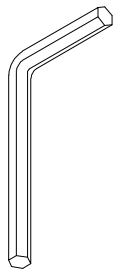


⑩ X4

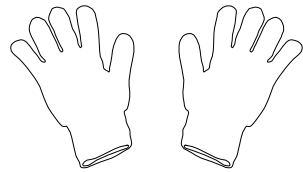


⑪ X4

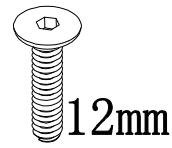
Hardware list



(A) X2



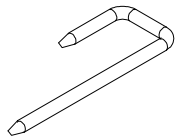
(B) X4



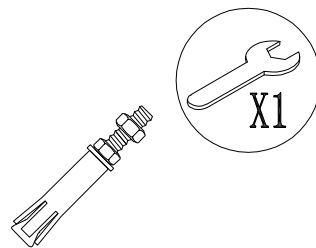
(C) X208



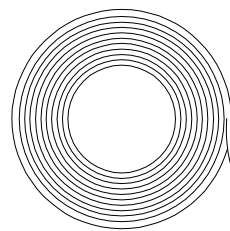
(D) X100



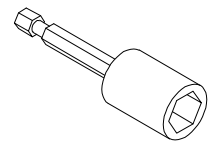
(E) X12



(F) X12

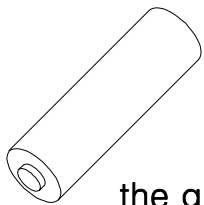


(G) X1

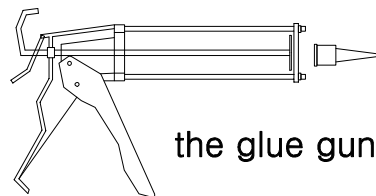


Use with an electric drill.

(H) X1

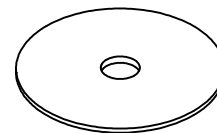


the glue.*2

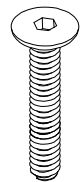


the glue guns.*1

(I) X1



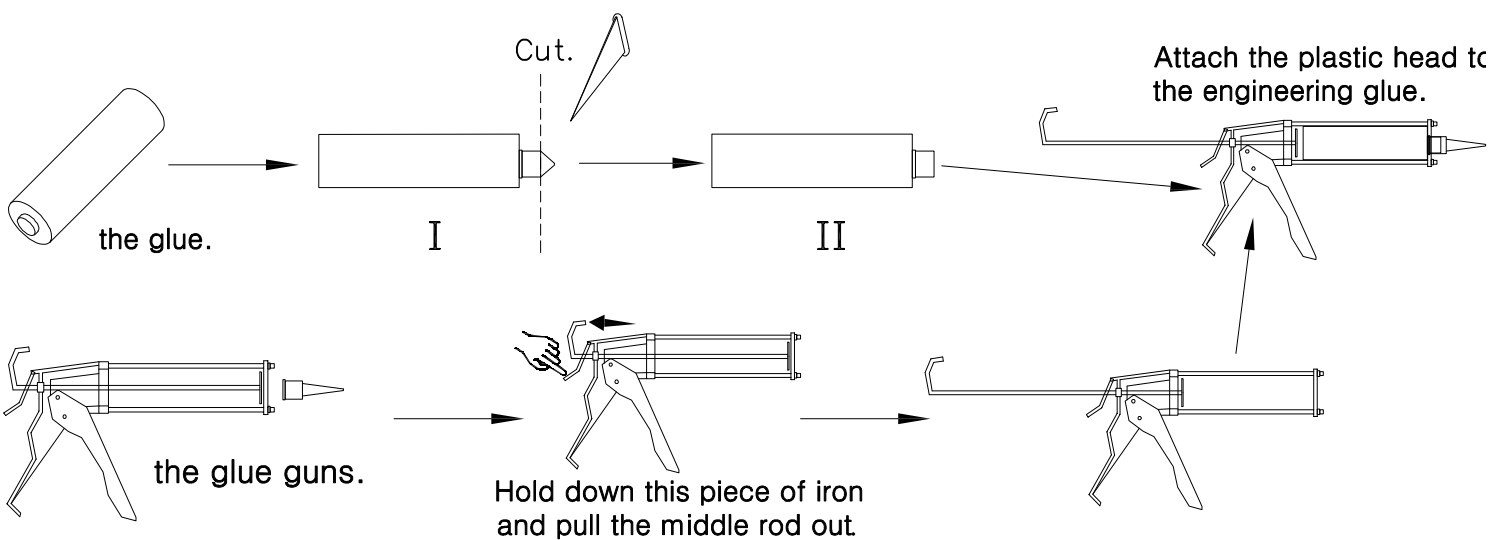
(J) X4

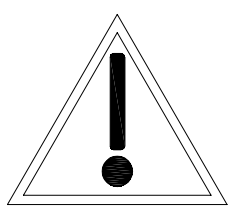
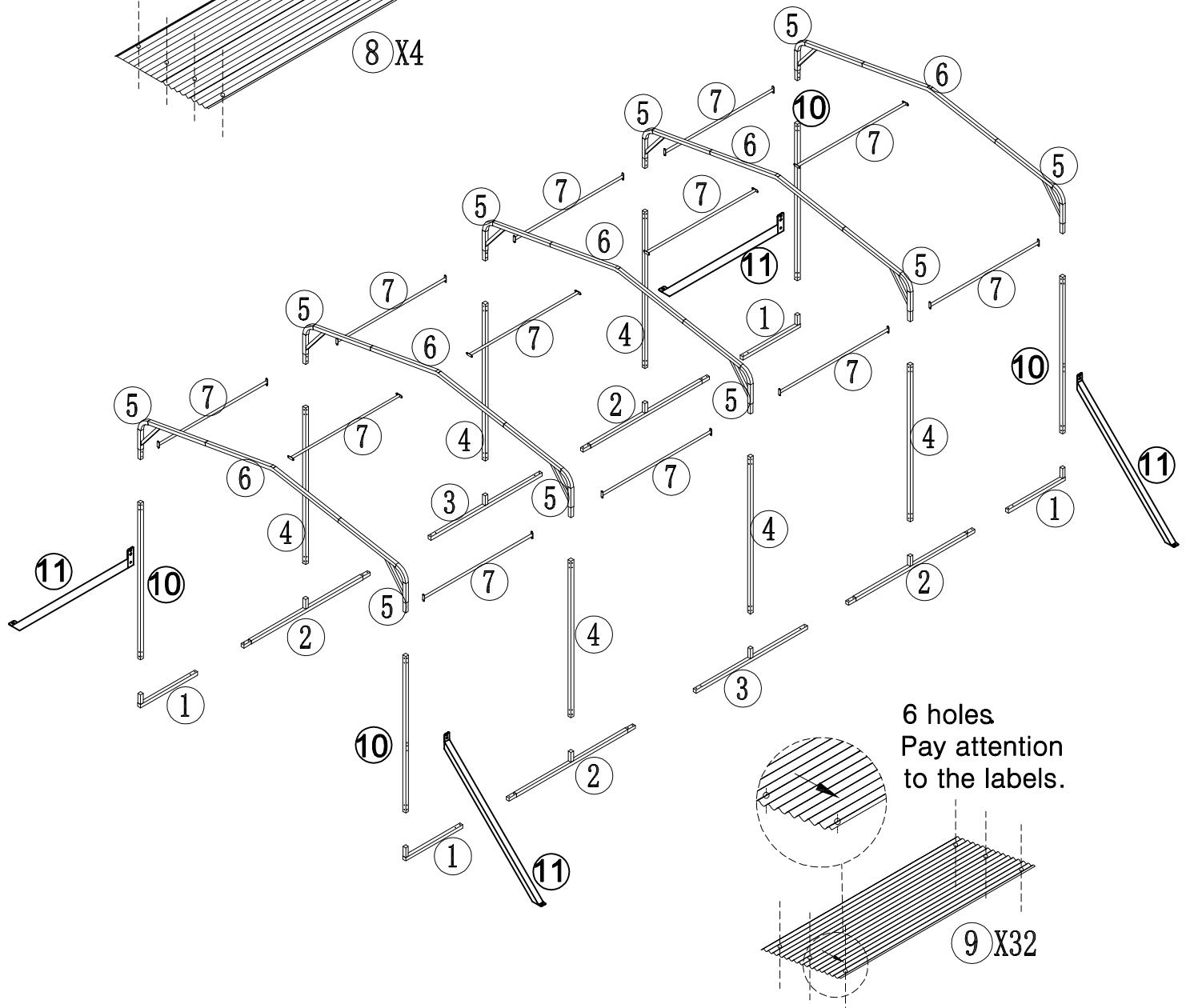
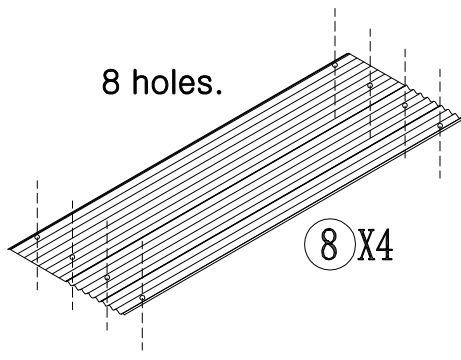


50mm

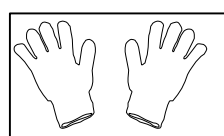
(K) X4

Assemble after completing step 3.





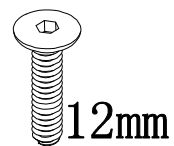
1. Please wear gloves for assembly.
2. The installation of the carport requires 4 people.
3. For Color Steel Roof #8 and #9, gloves must be worn during operation and self-pickup.



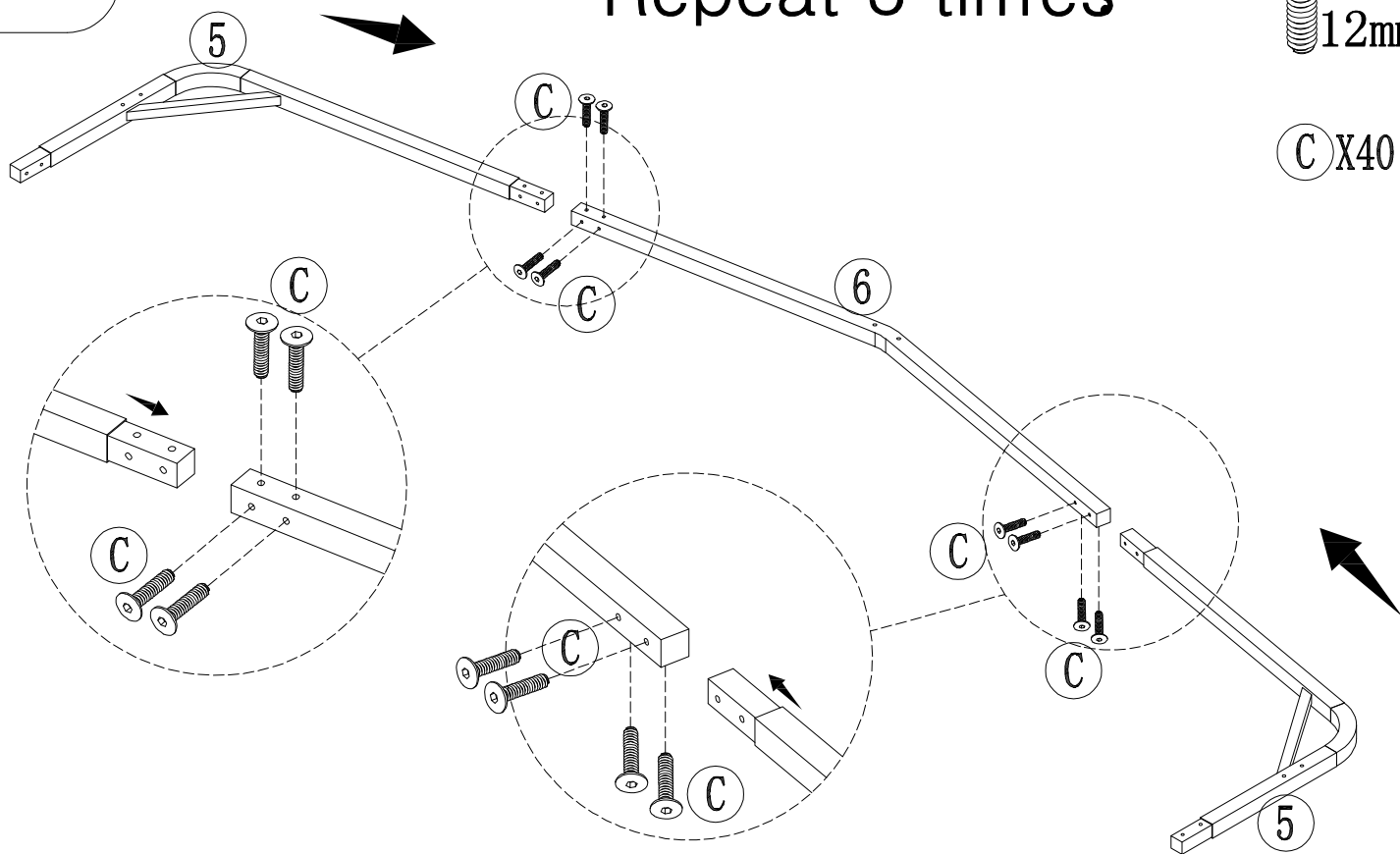
(B) X4

1

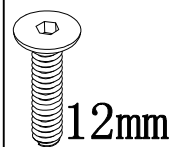
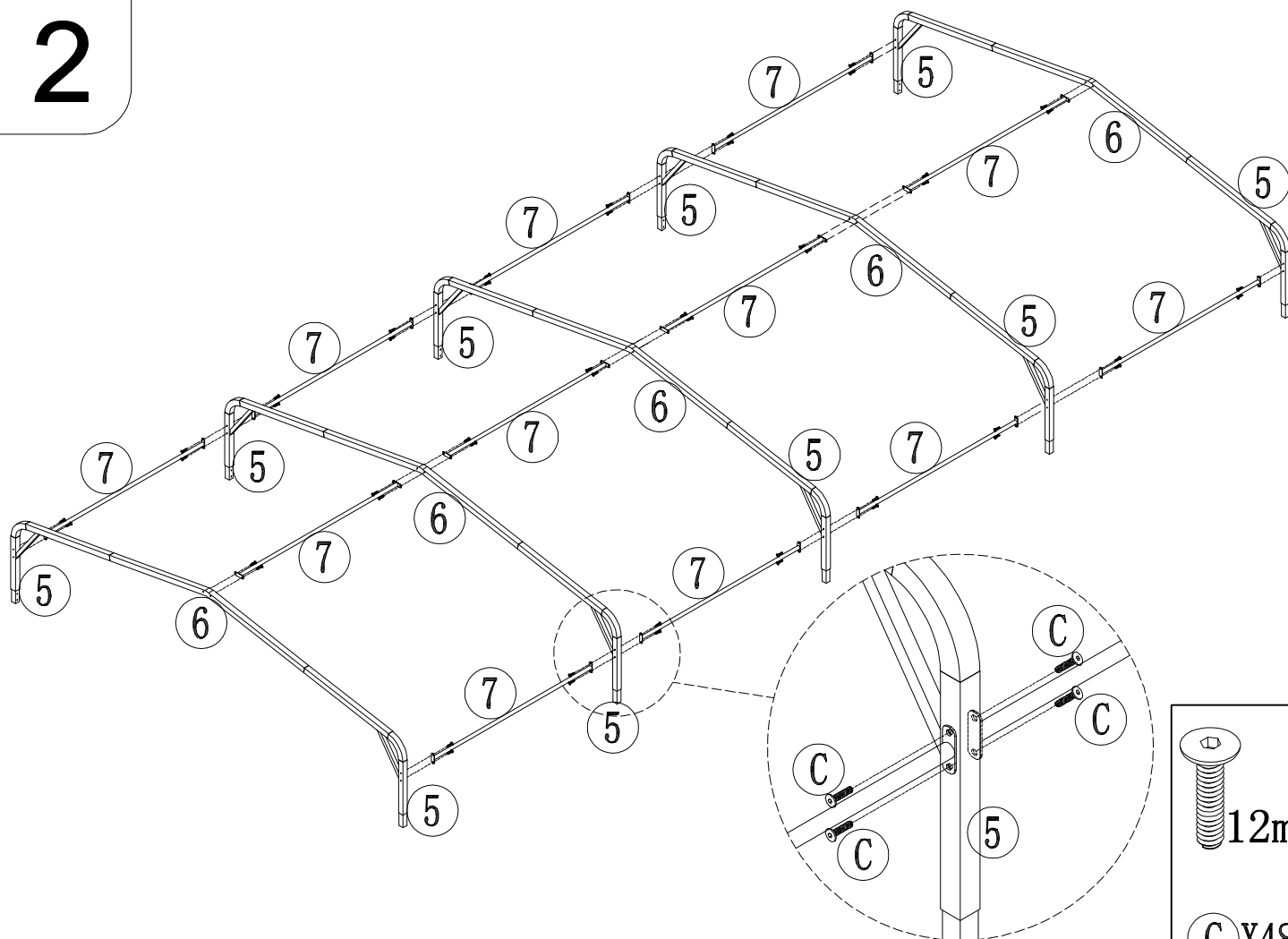
Repeat 5 times



C X40

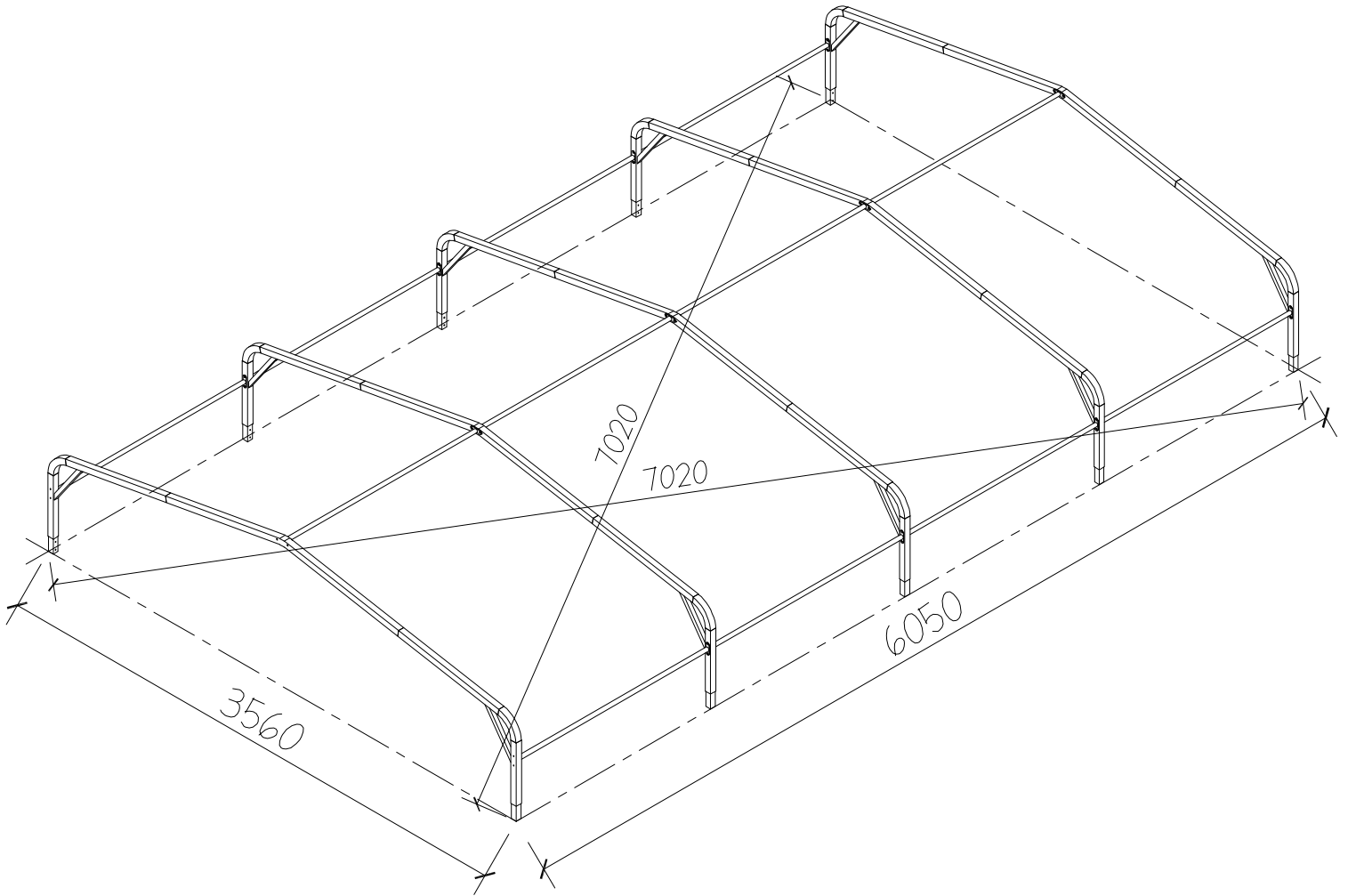


2



C X48

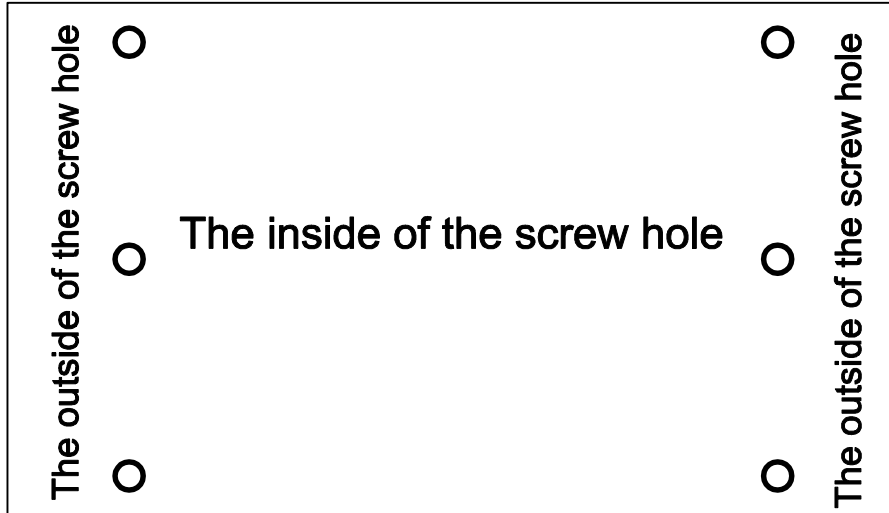
3



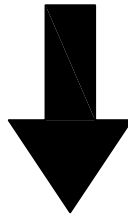
After installing the top iron frame, draw 4 lines on the ground around it to determine the diagonals!!!

4

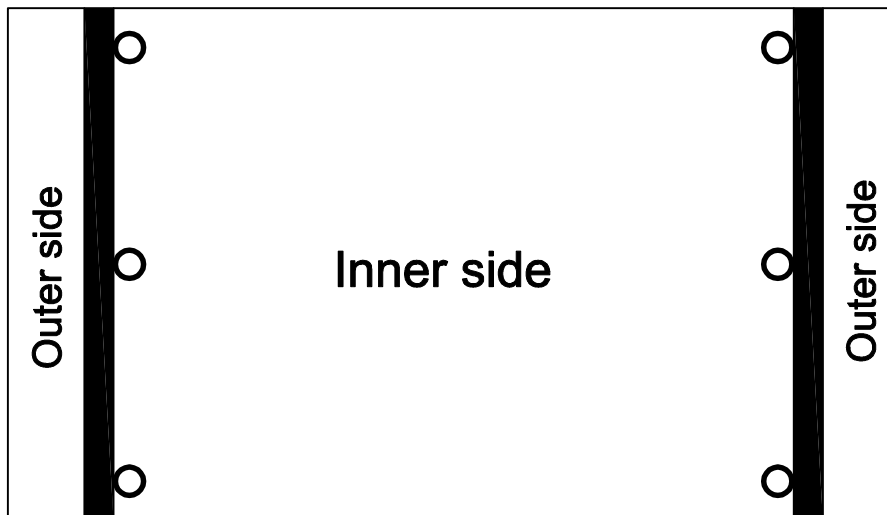
Instructions for applying sealant on color-coated steel tiles



Color Steel Tile Area Description

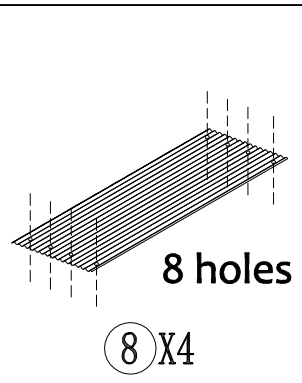
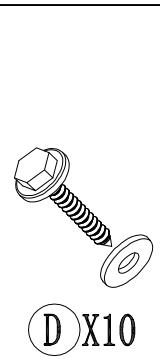
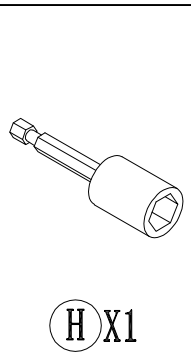
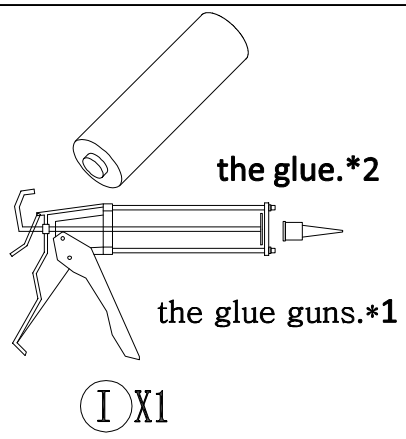
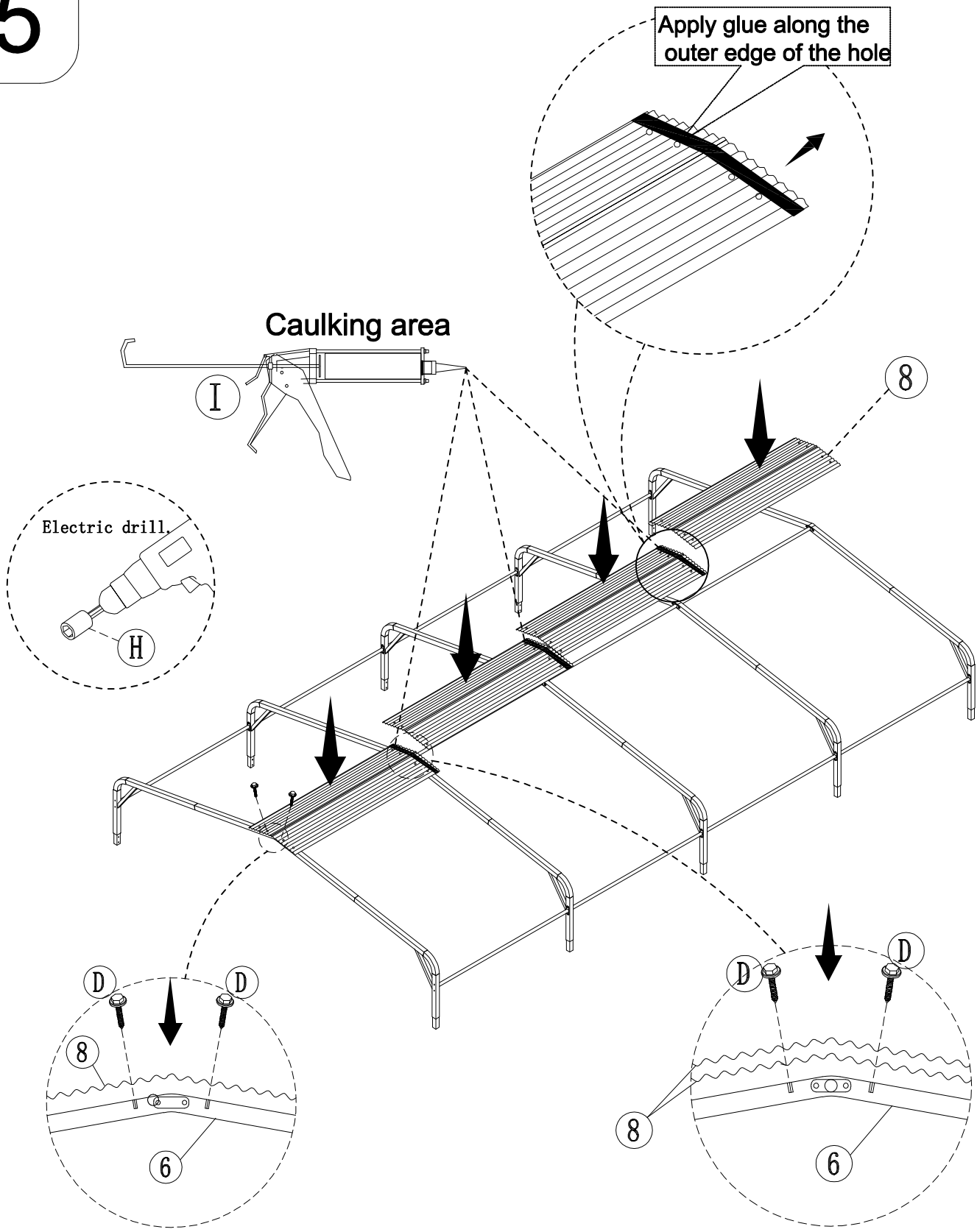


Sealing line



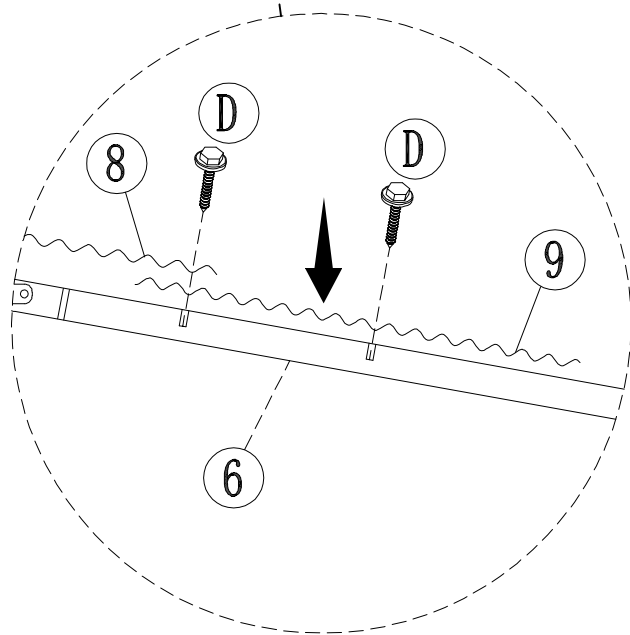
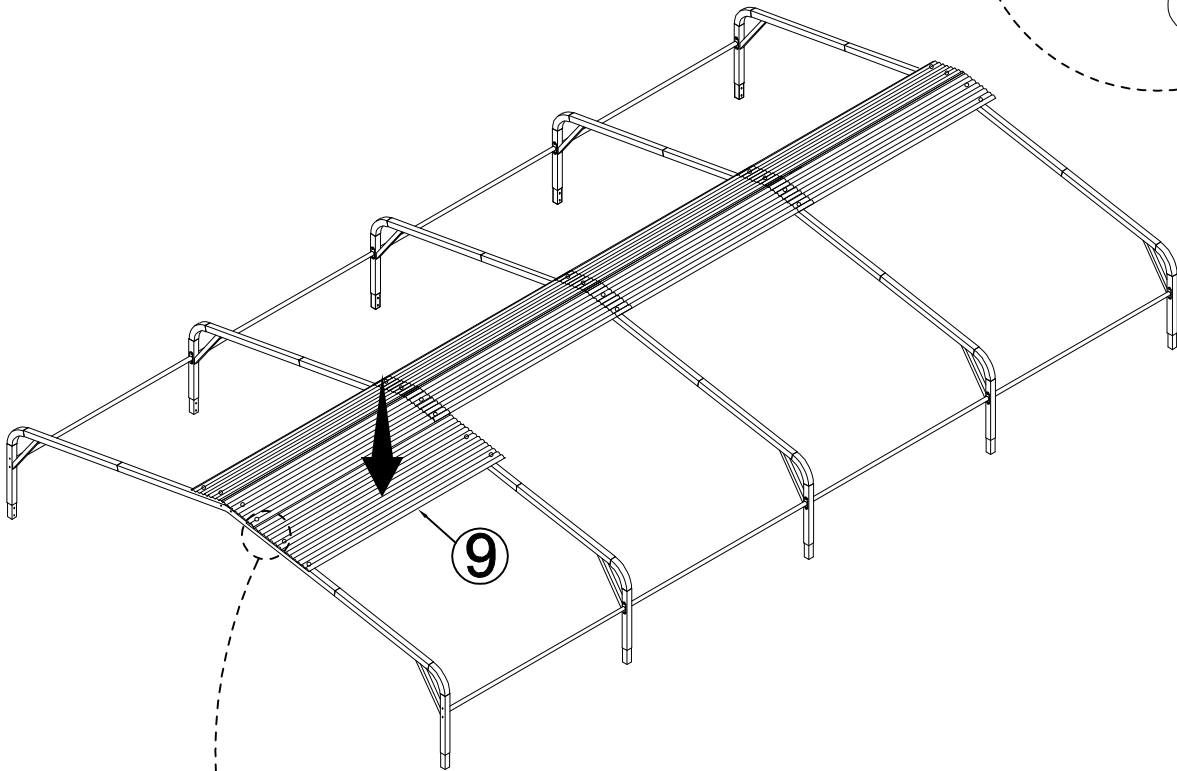
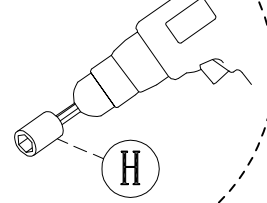
Adhesive Application Position Indicator:

The waterproof sealant needs to be evenly applied around the screw holes on the outside of the color steel tiles, tightly against the screw holes (Apply on the left or right outer side depending on the actual installation)



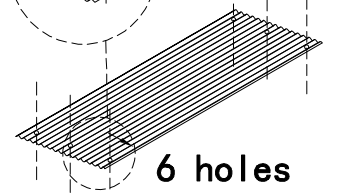
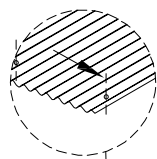
6

Electric drill.



D X 2

Pay attention to the labels !!!

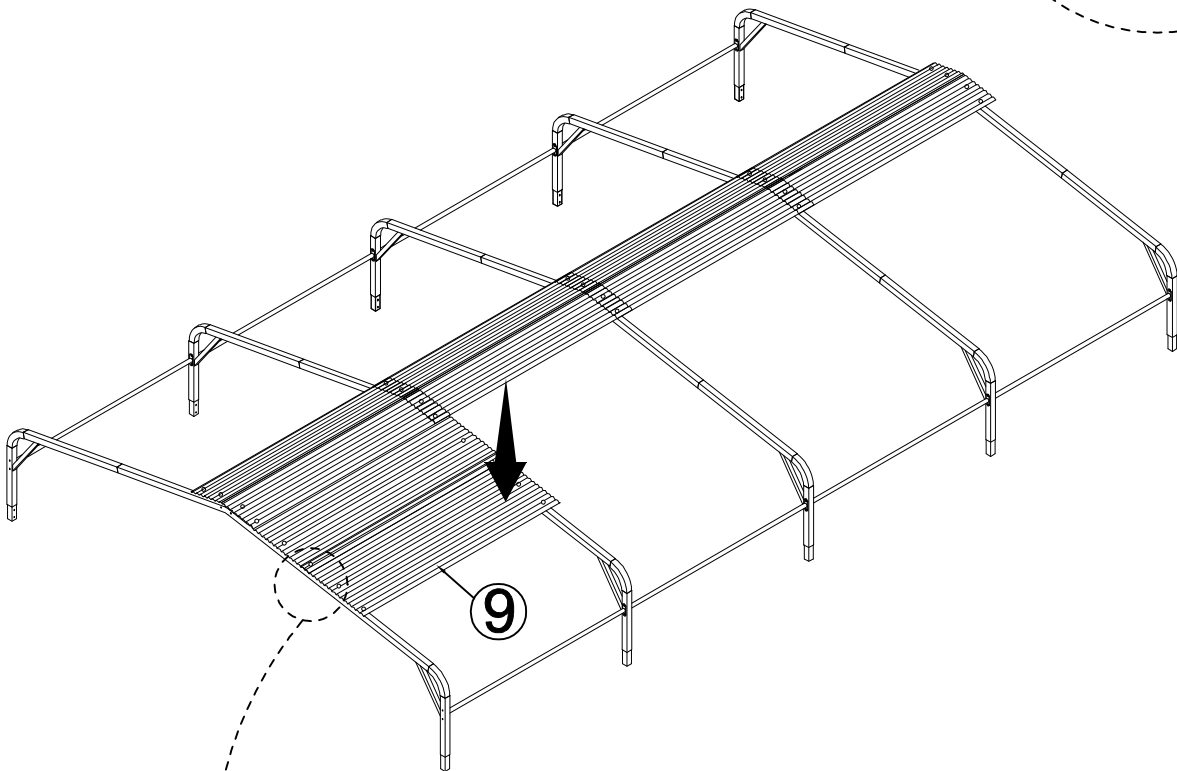
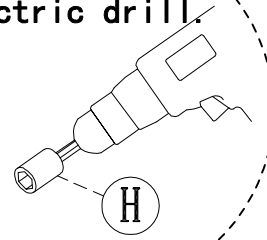


6 holes

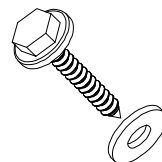
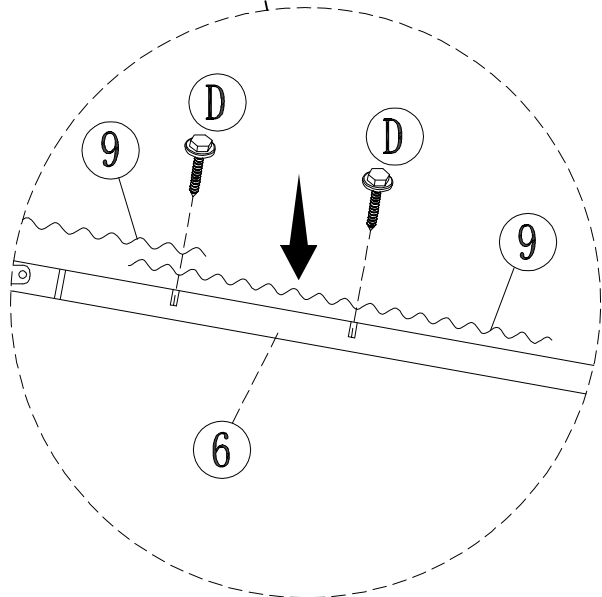
9 X 1

7

Electric drill

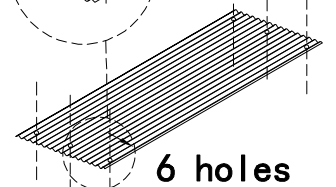
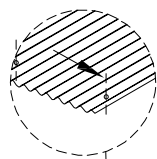


9



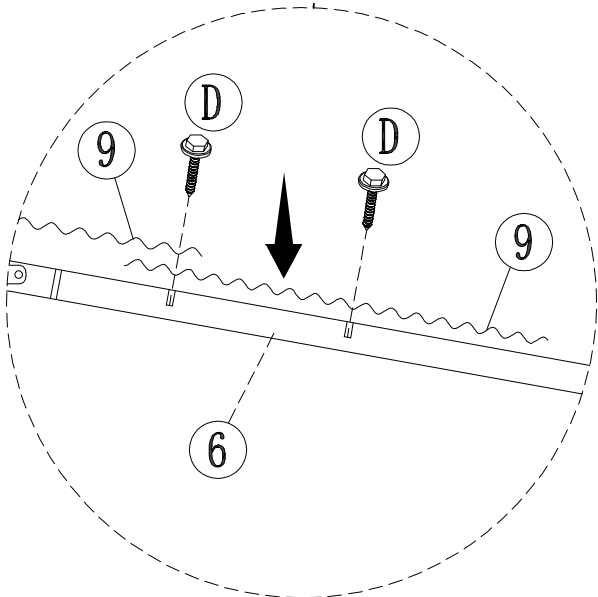
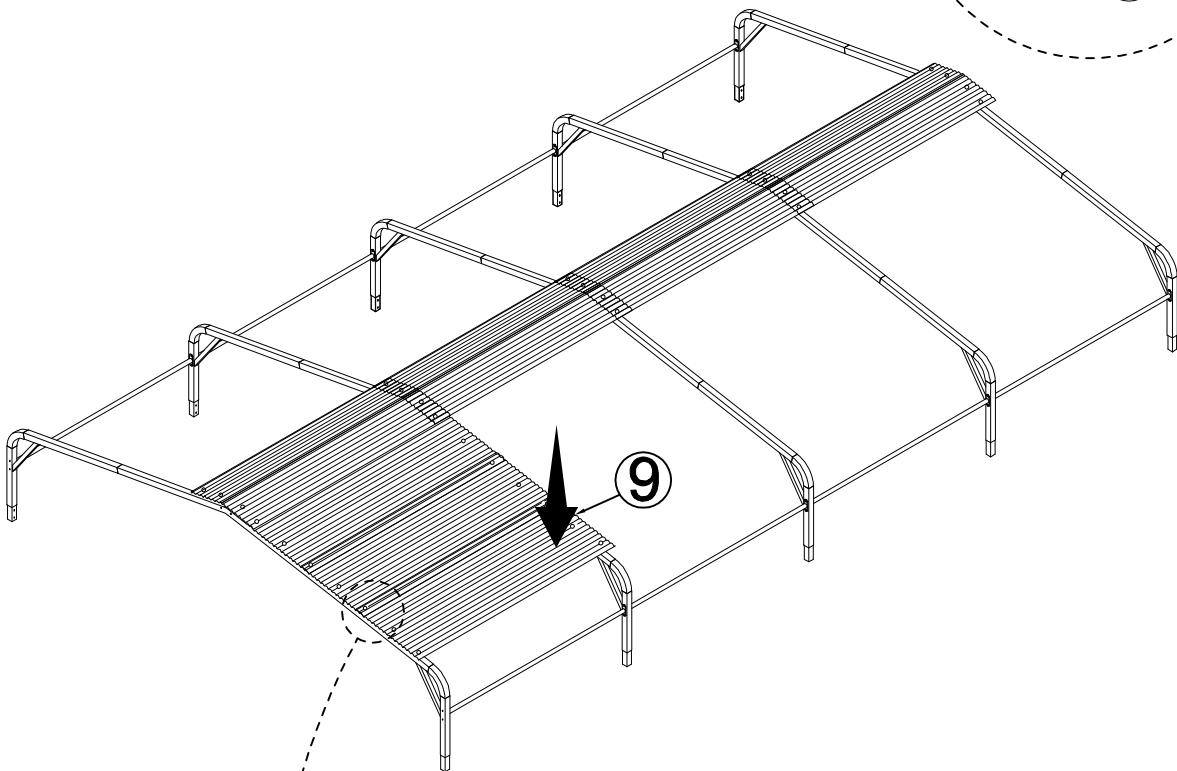
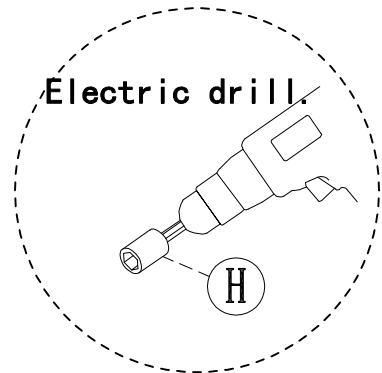
D X 2

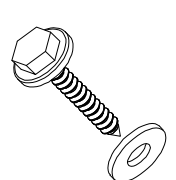
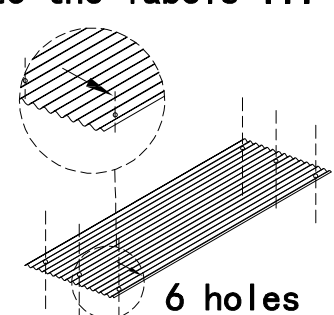
Pay attention to the labels !!!

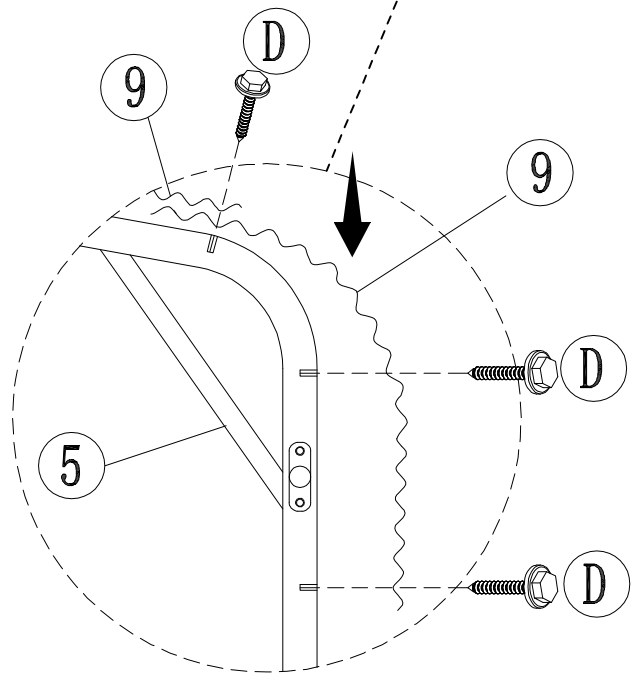
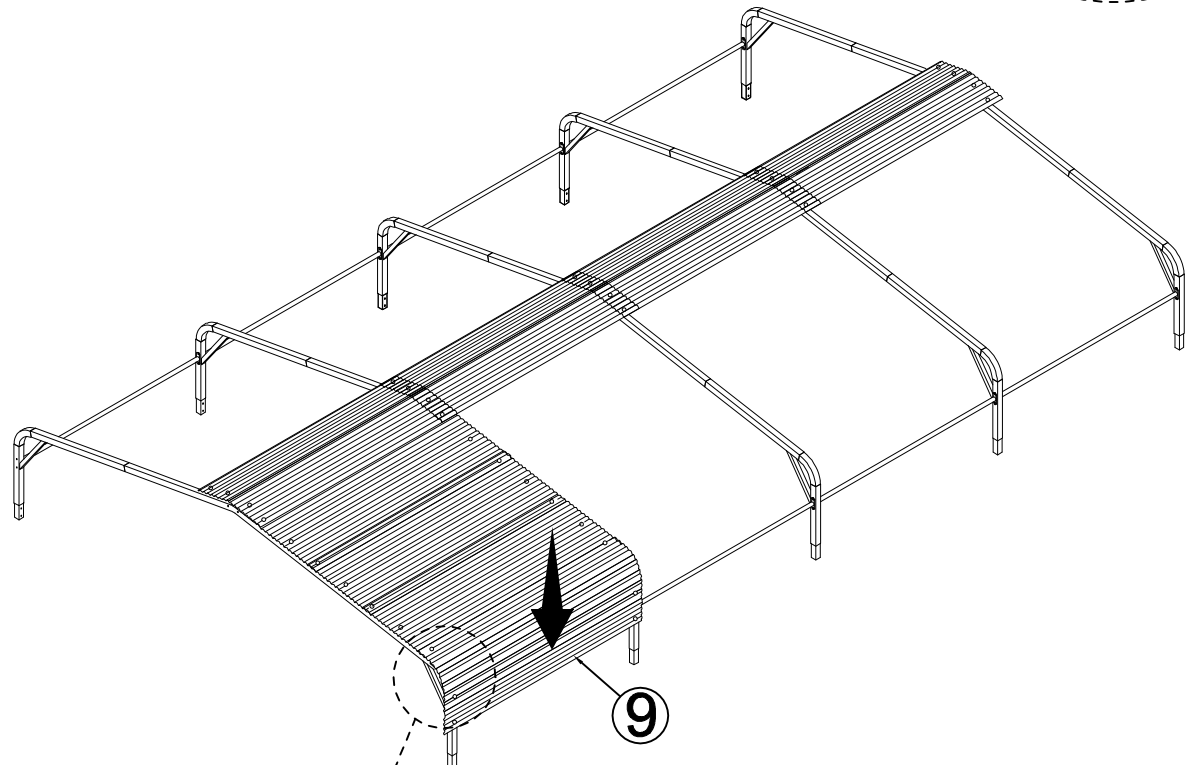
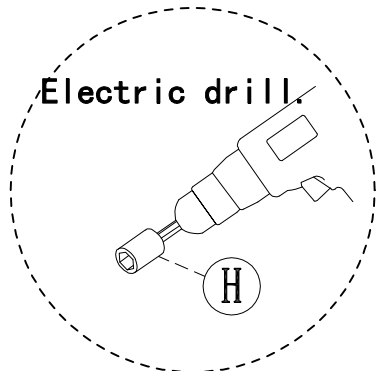


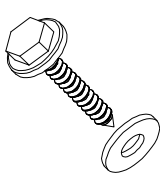
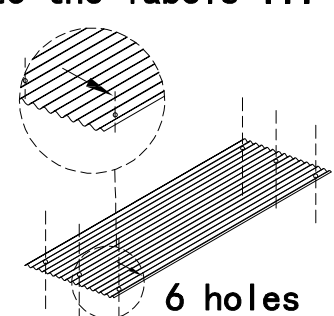
6 holes

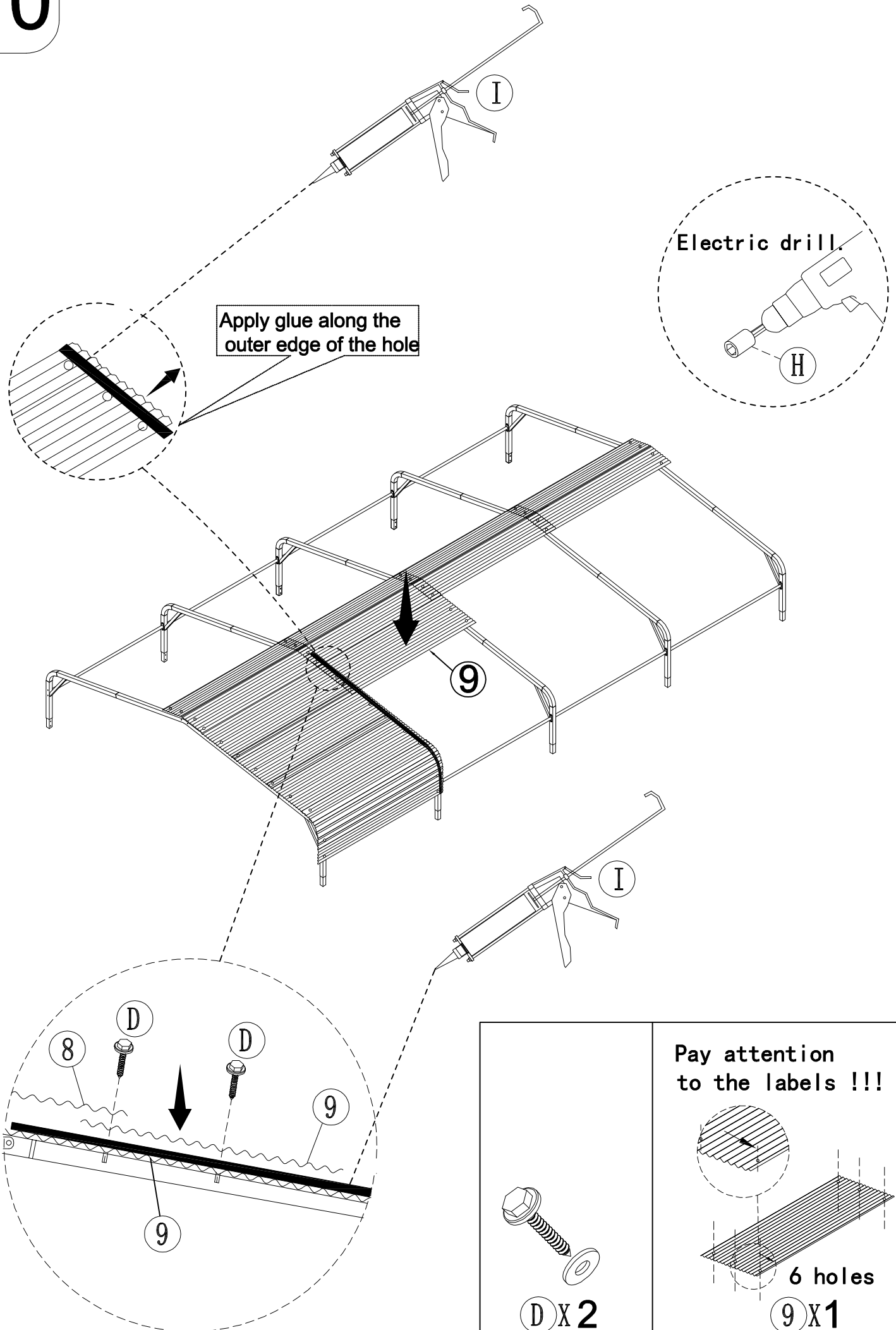
9 X 1



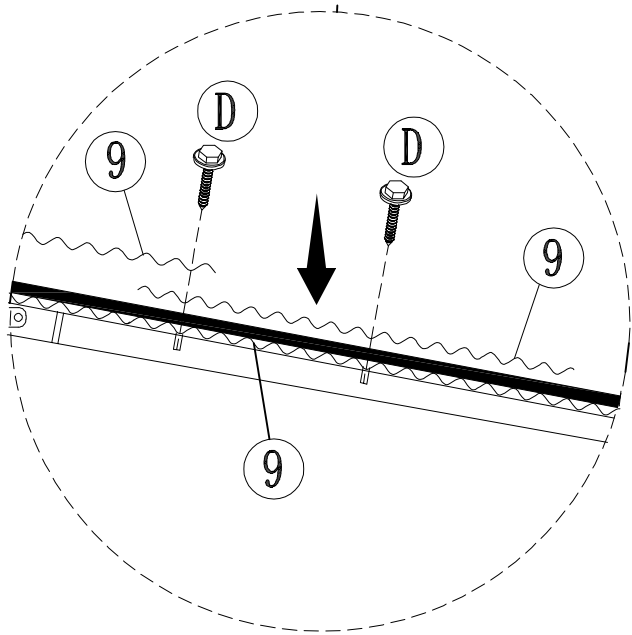
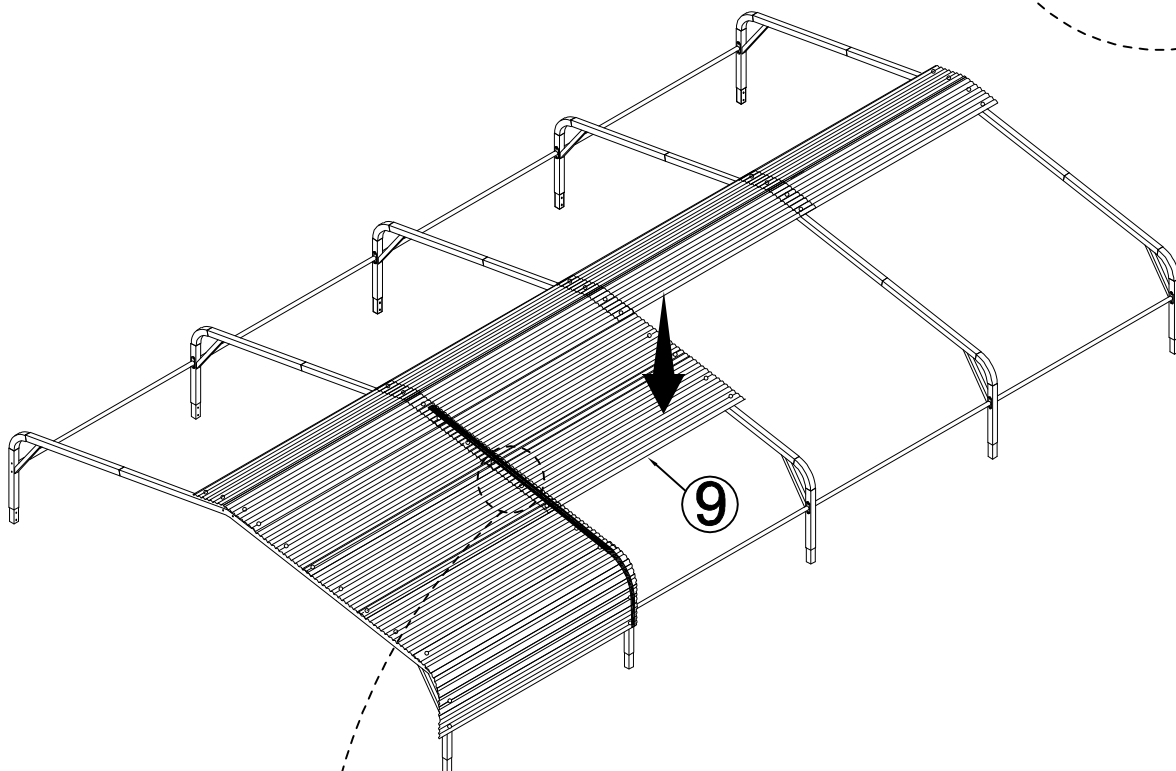
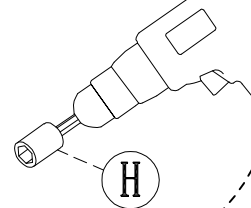
 <p>D X 4</p>	<p>Pay attention to the labels !!!</p>  <p>6 holes</p> <p>9 X 1</p>
---	--

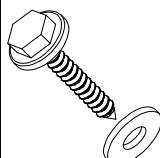
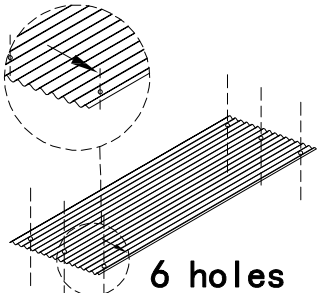


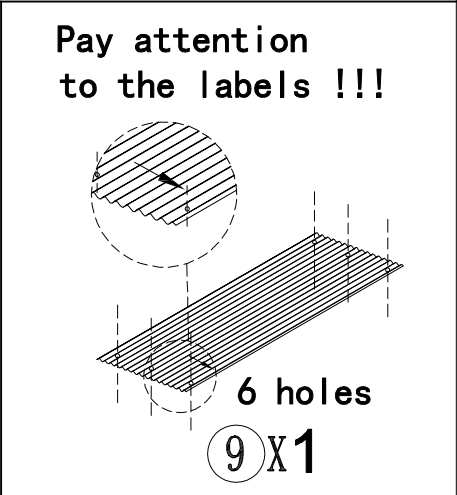
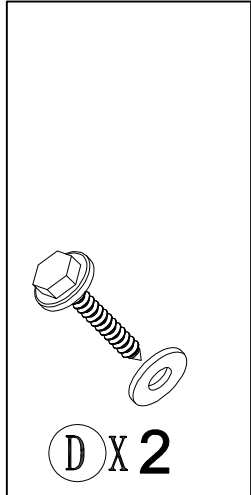
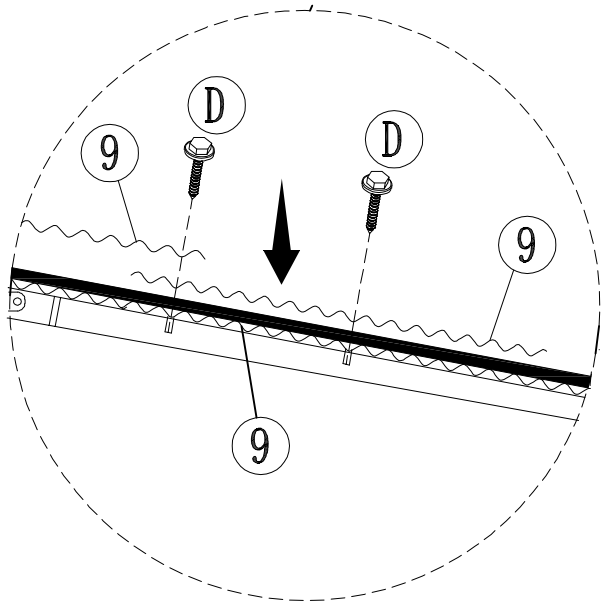
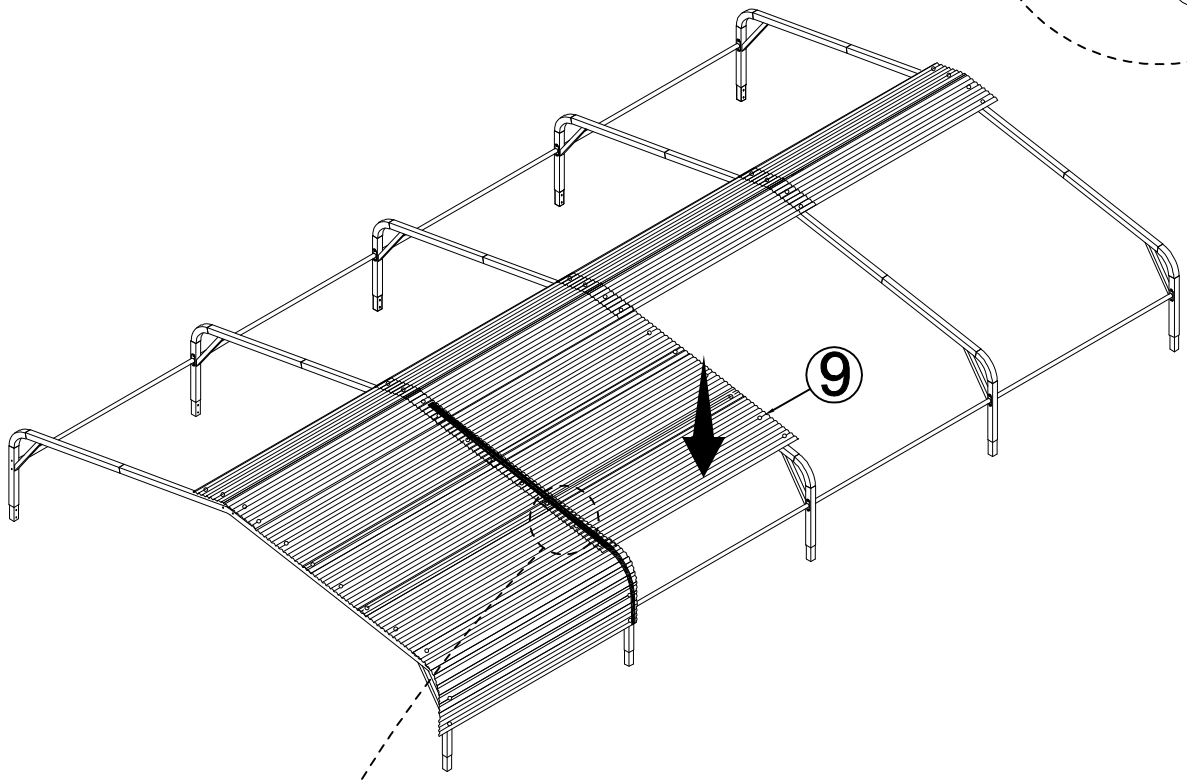
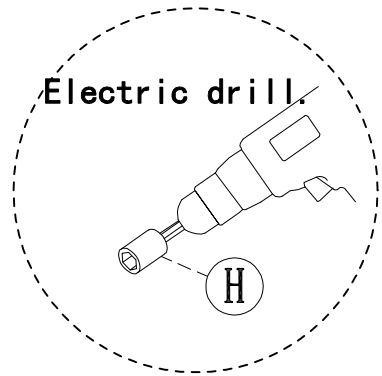
 <p>D X 3</p>	<p>Pay attention to the labels !!!</p>  <p>6 holes</p> <p>9 X 1</p>
--	---

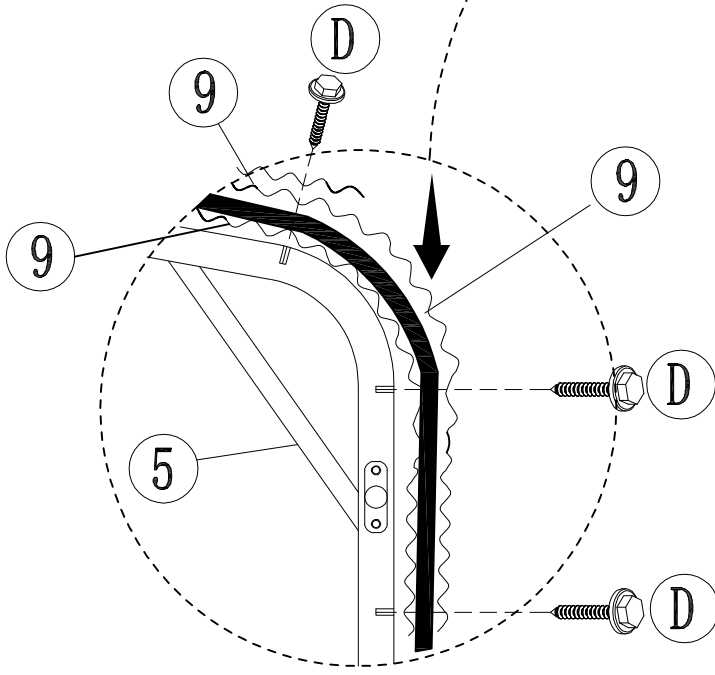
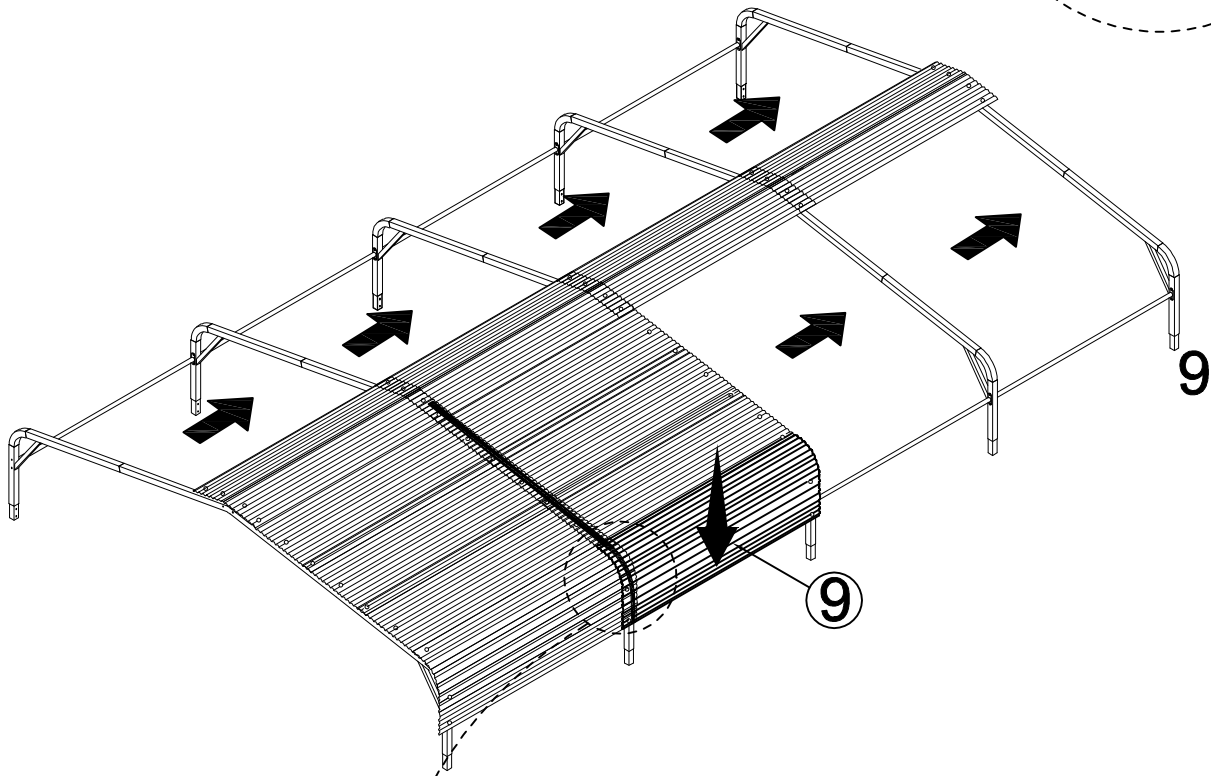
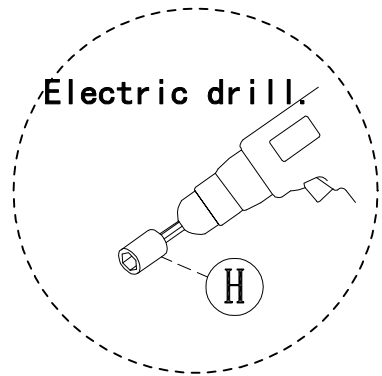


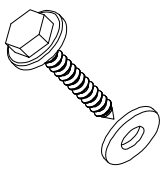
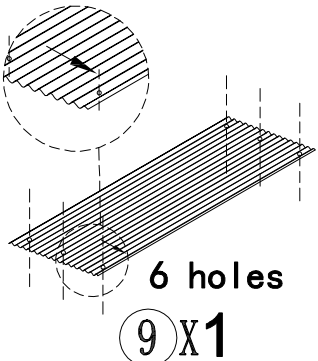
Electric drill



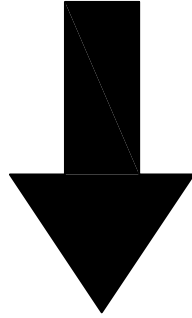
 <p>D X 2</p>	<p>Pay attention to the labels !!!</p>  <p>6 holes 9 X 1</p>
--	--



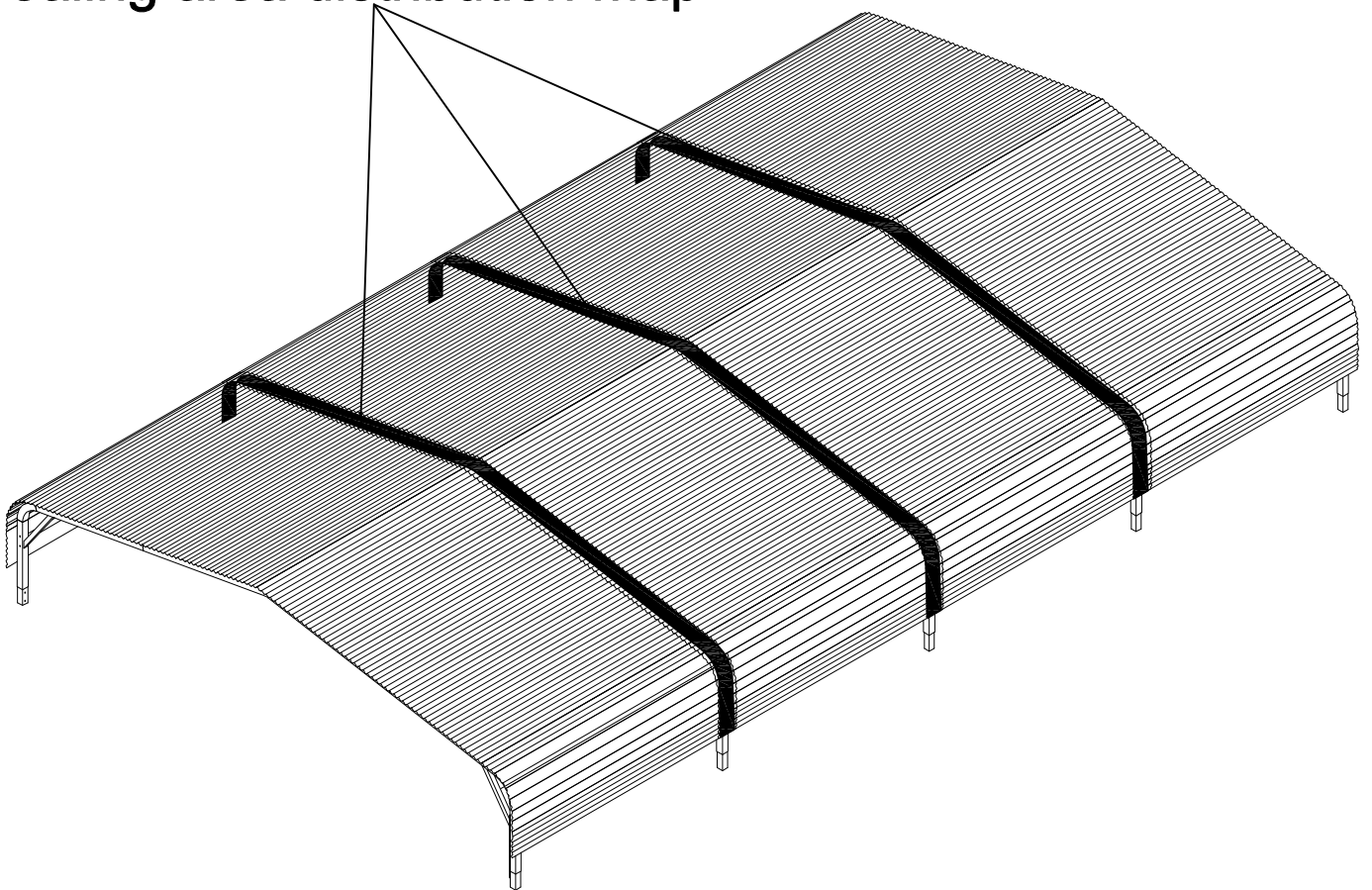


 <p>D X 3</p>	<p>Pay attention to the labels !!!</p>  <p>6 holes</p> <p>9 X 1</p>
---	--

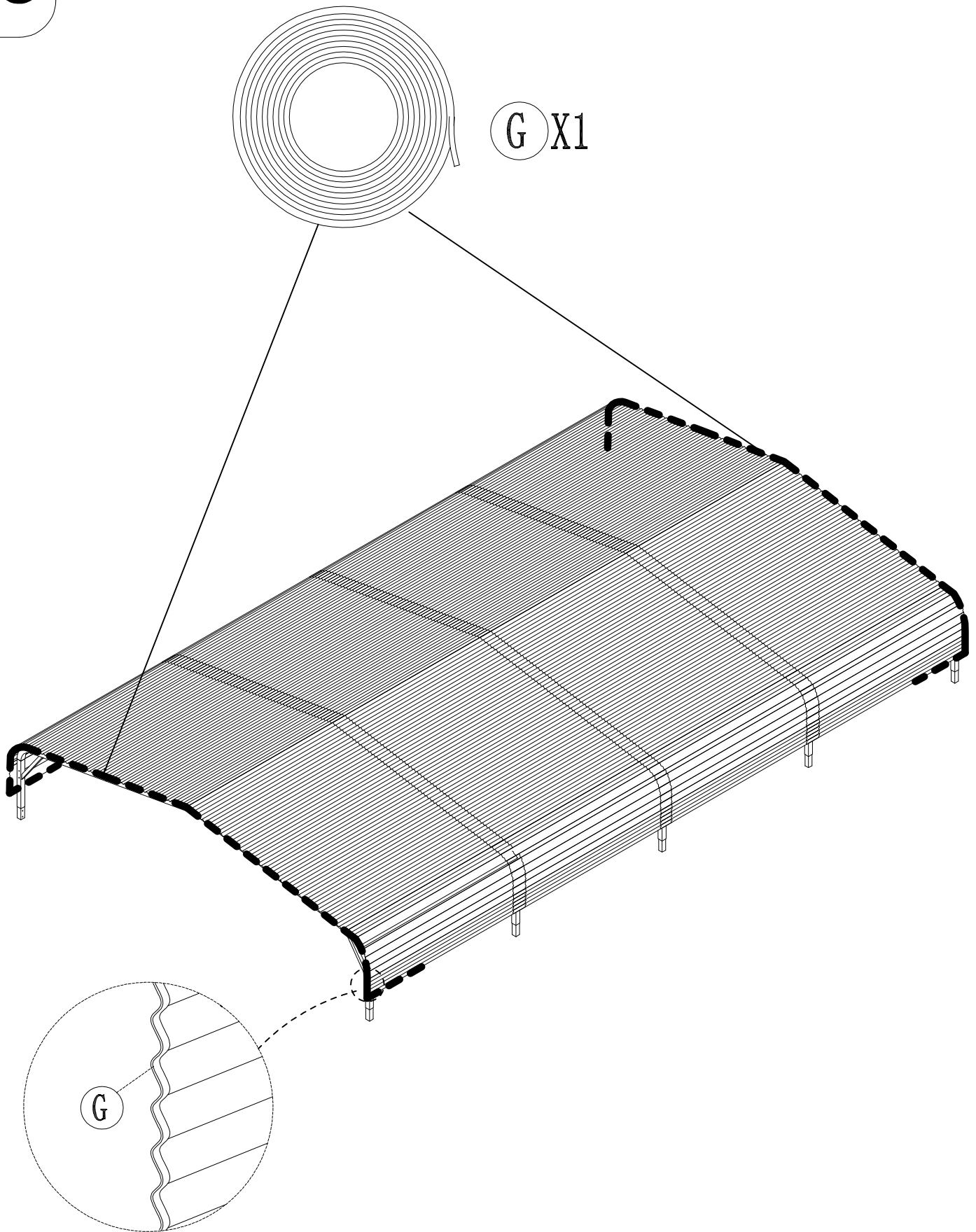
Repeat the above steps until part number 9 is installed.



Sealing area distribution map



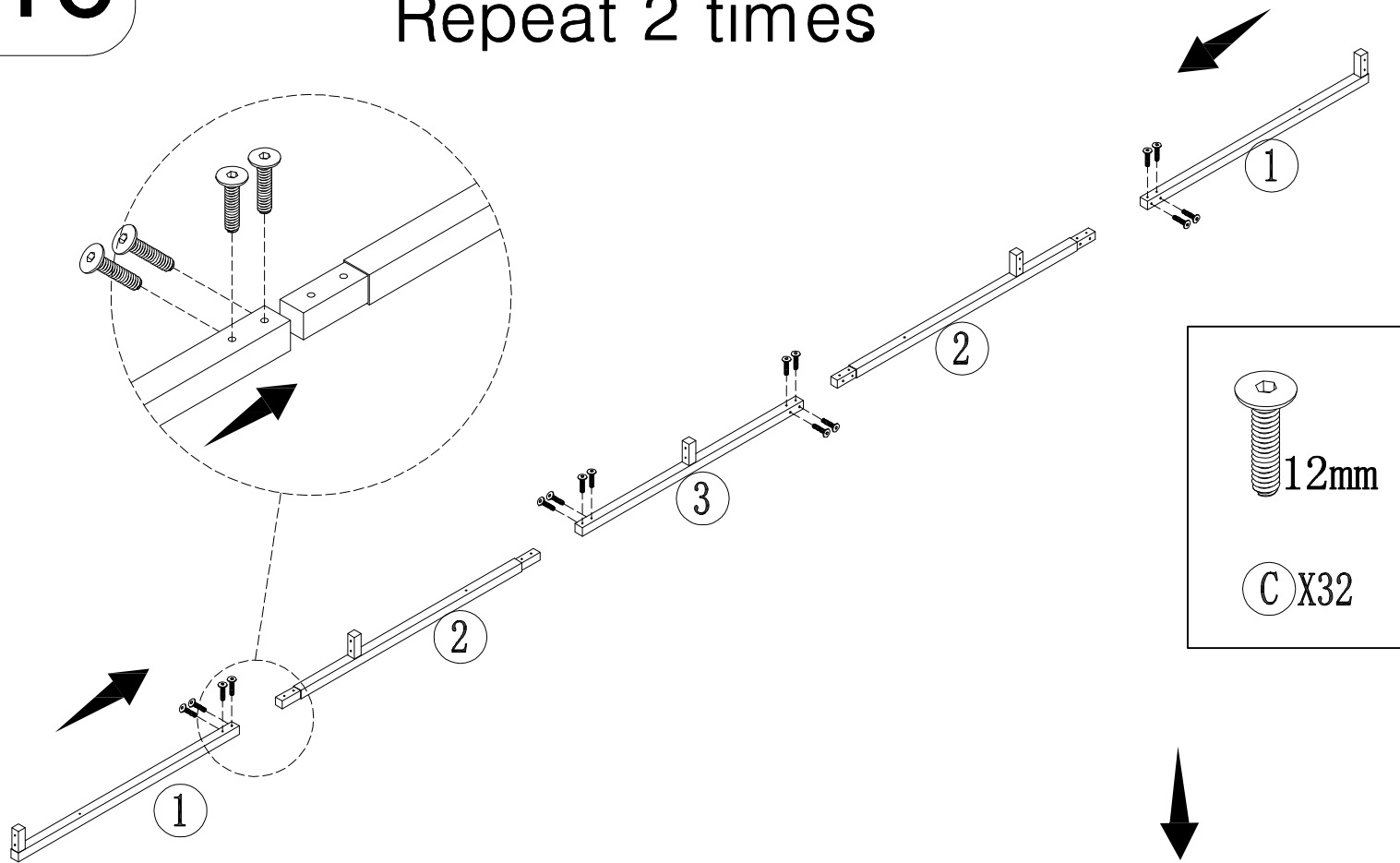
After completing the ceiling assembly, any remaining waterproof adhesive can be used to seal gaps and screw holes that were not previously sealed.



The front and back need to be hemmed, and the left and right sides need to be folded slightly.

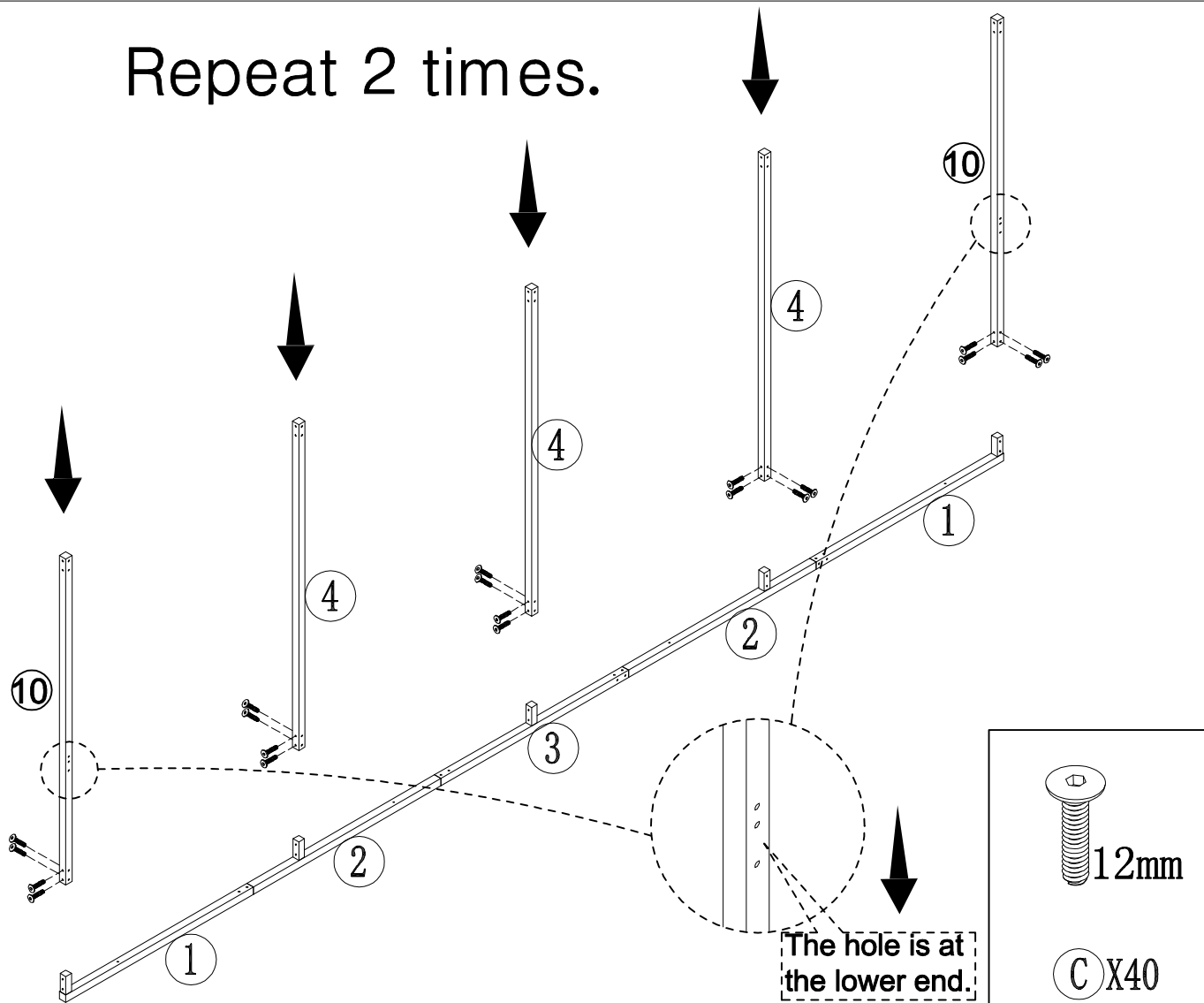
16

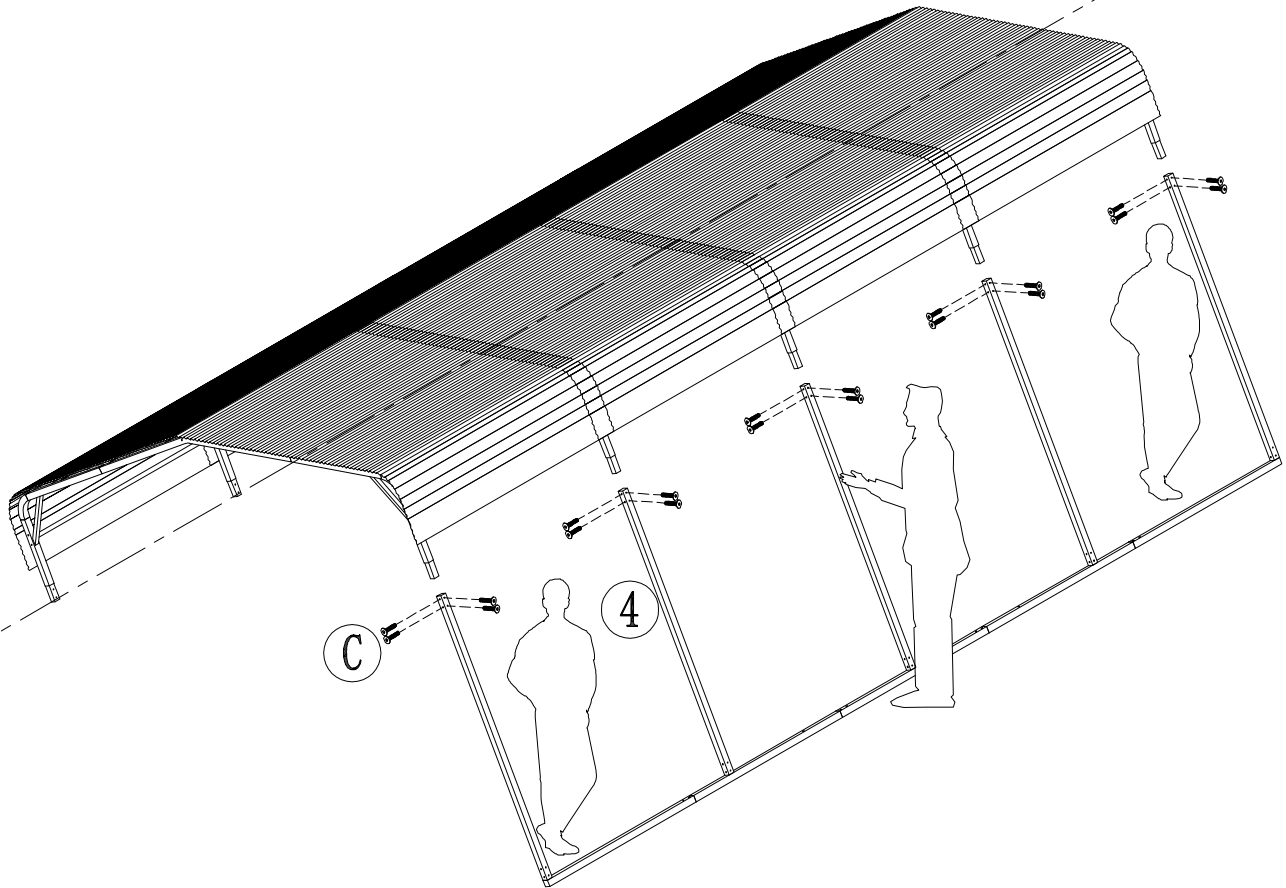
Repeat 2 times



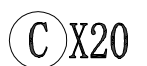
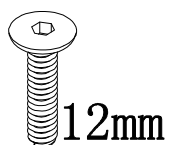
15

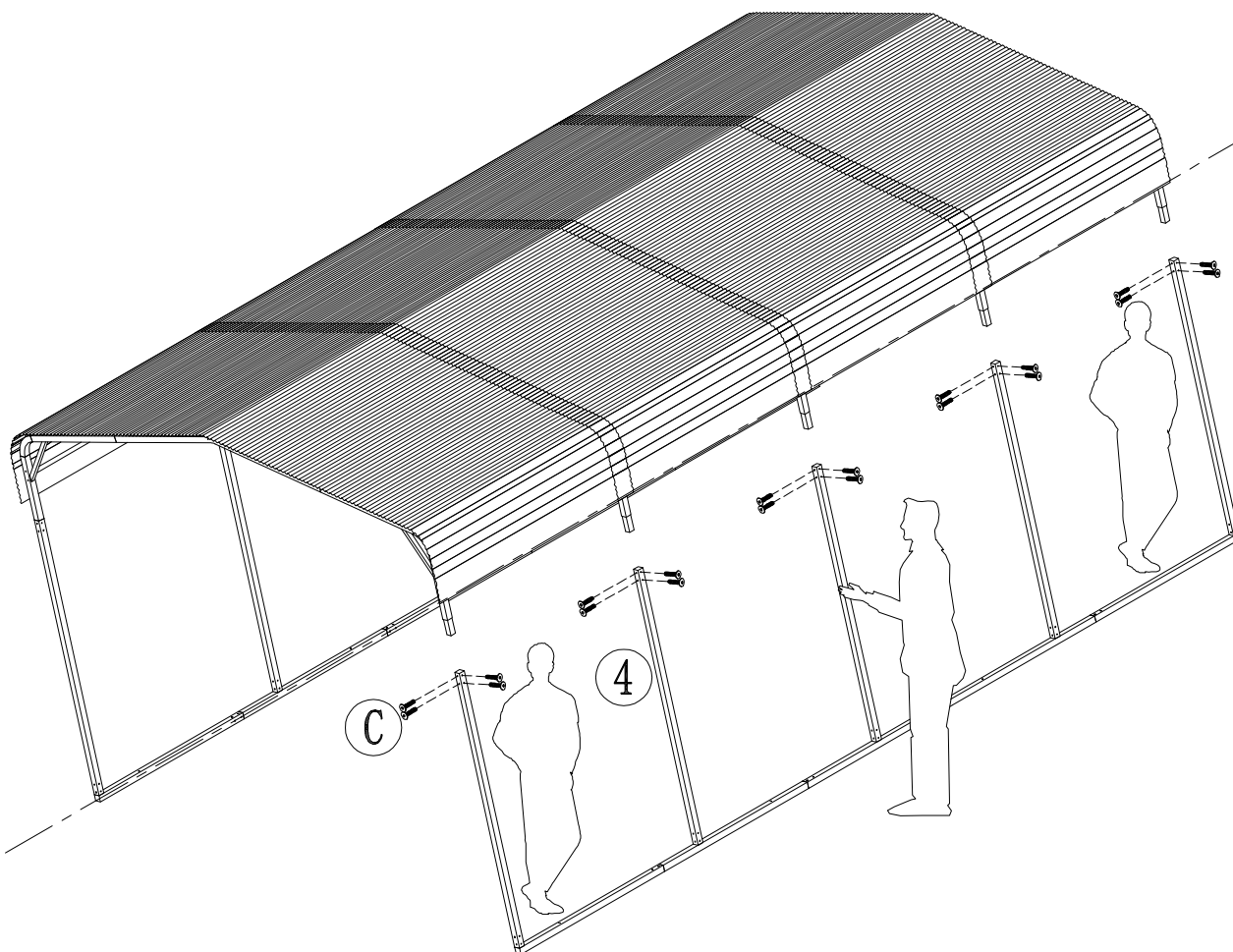
Repeat 2 times.



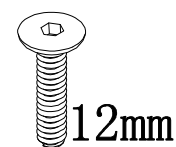


A minimum of three people is required: two people standing on the left and right sides to lift, and one person to insert the carport base into the carport roof.



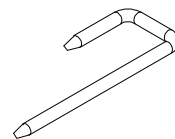


As in the previous step, a total of at least three people are required, two people standing on each side of the left and right sides to lift, and one person inserts the carport base into the carport roof.

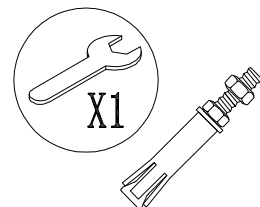


12mm

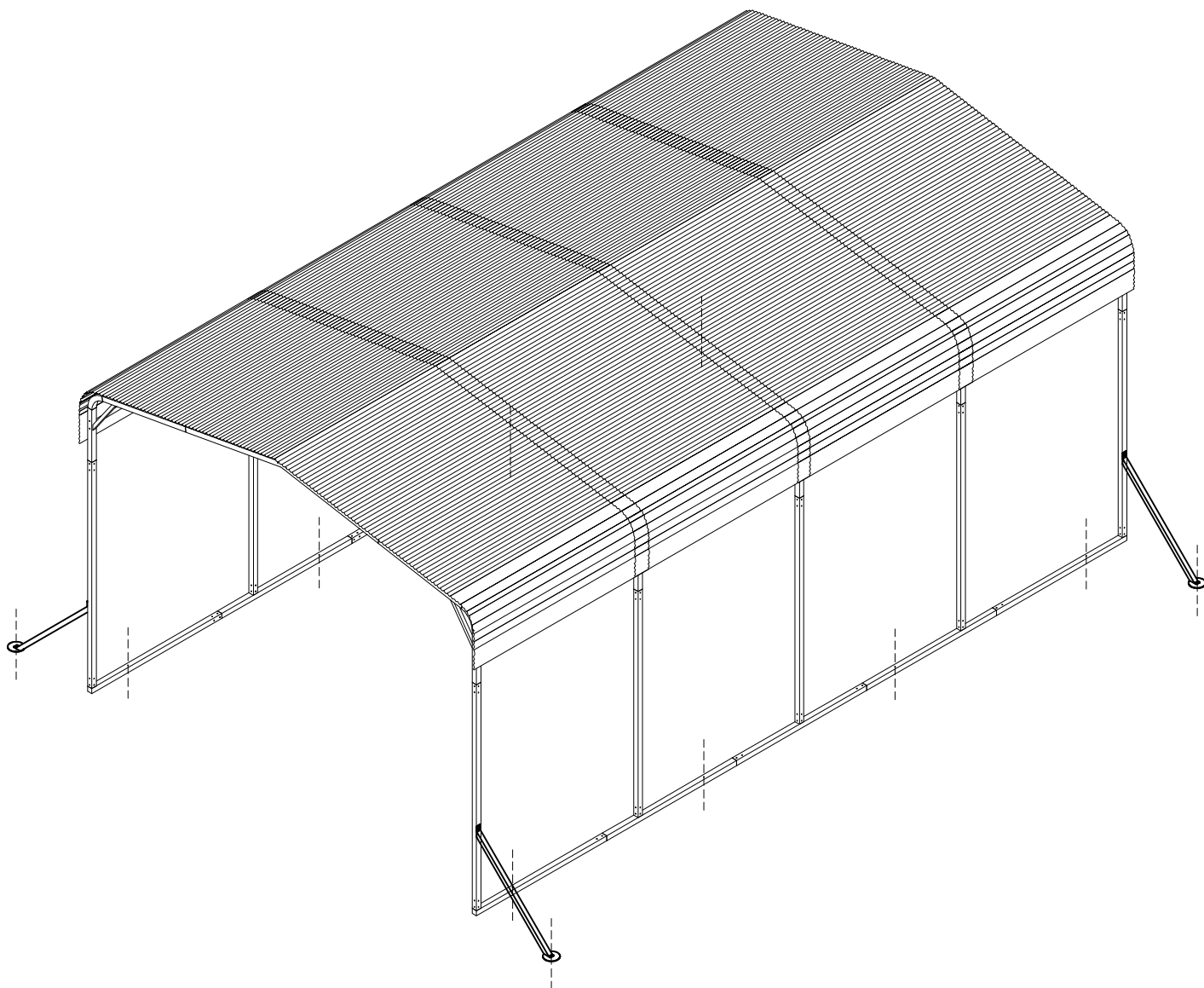
C X20



Ⓔ X12



Ⓕ X12



Finally, according to the actual situation, use the expansion screw F or ground nail E to fix the carport.