



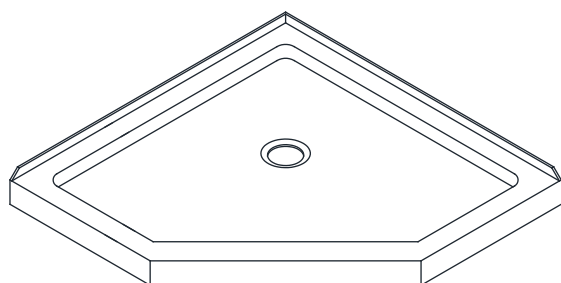
PRISM PLUS

SHOWER ENCLOSURE AND BASE INSTALLATION INSTRUCTIONS

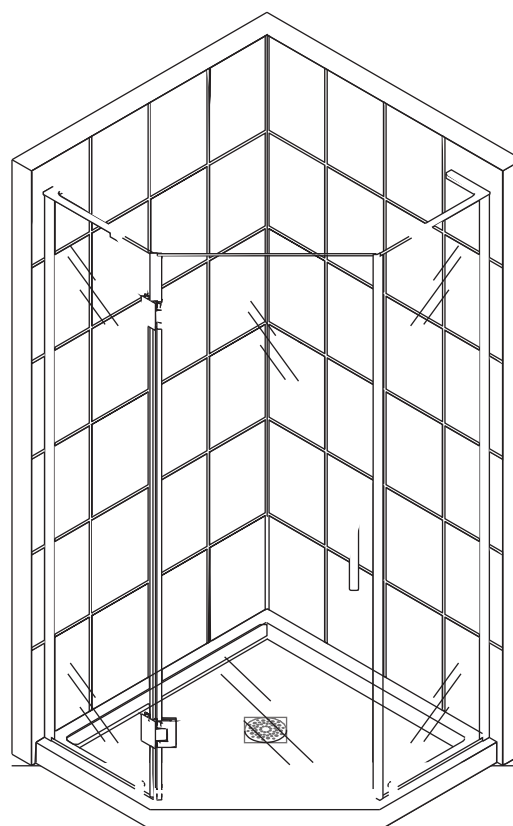
PLEASE REVIEW THIS ENTIRE MANUAL PRIOR TO INSTALLATION

IMPORTANT!

DreamLine® reserves the right to alter, modify or redesign products at any time without prior notice for the purpose of product improvement and customer experience. Please refer to the model's web page on **DreamLine.com** for the latest technical drawings, installation manuals, warranty information or additional product details.



+



STEP 1: Shower Base Installation Instructions

STEP 2: Shower Enclosure Installation Instructions



Questions?

Please contact DreamLine Customer Support
See DreamLine.com for hours of operation

Support@DreamLine.com

1-866-731-2244



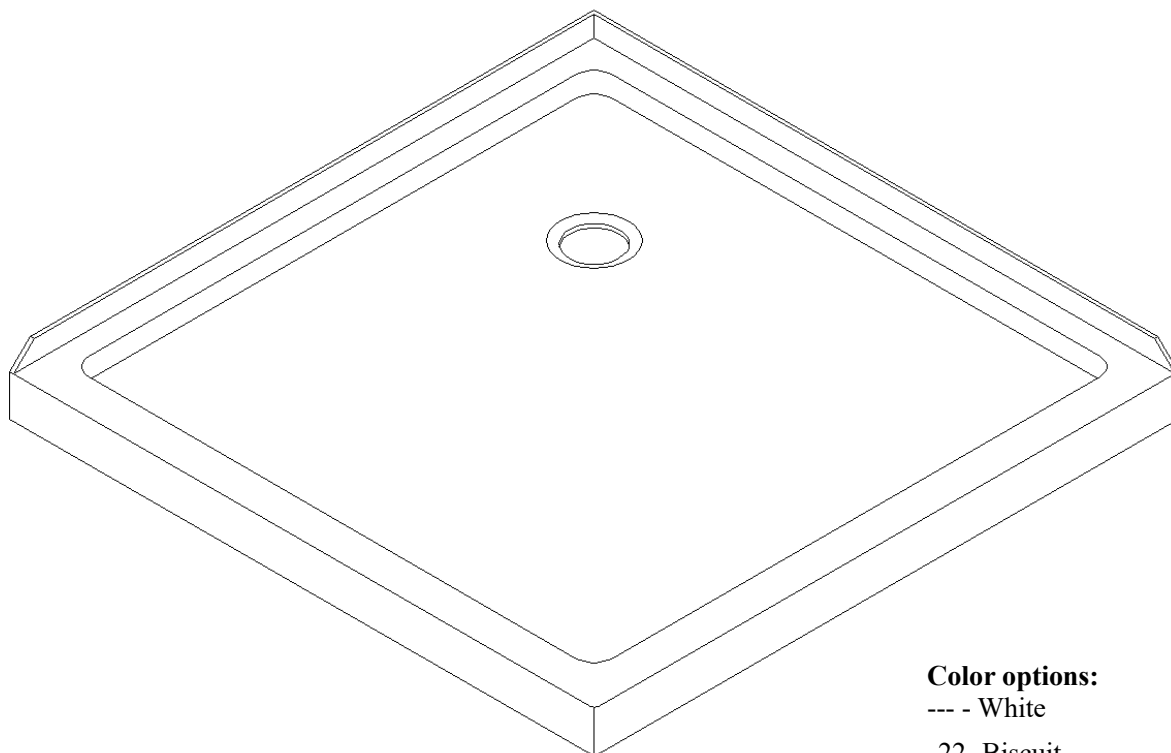


SLIMLINE SHOWER BASE

SHOWER BASE DIMENSIONS AND INSTALLATION INSTRUCTIONS

IMPORTANT

DreamLine® reserves the right to alter, modify or redesign products at any time without prior notice for the purpose of product improvement and customer experience. Please refer to the model's web page on **DreamLine.com** for the latest technical drawings, installation manuals, warranty information or additional product details.



- Color options:**
- - White
 - 22- Biscuit
 - 88- Black
 - T44- Stone Texture Gray
(60" single threshold only)

Double Threshold Shower Base with Corner Drain Configuration shown as an example

Please review this entire manual before beginning installation



Questions?

Please Call **DreamLine Customer Support: 1-855-831-2126**
Hours of Operation M-F 8AM - 7PM EST and Saturday 9AM - 5PM EST

Support@DreamLine.com



For more information about DreamLine® products please visit DreamLine.com

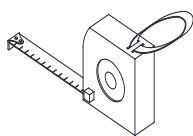
Preparation

1. Prior to installation, examine all boxes and packages for shipping damage and compare the piece count with your packing slip. After opening all boxes and packages read this introduction carefully. Check that all of the parts are included in the package by checking off the components on the parts list. If the unit has been damaged, has a finishing defect, or has missing parts, please contact our customer support department within **3 business days** of the delivery date. Please note that **DreamLine® will not replace any damaged products or missing parts free of charge after 3 business days or if the product has been installed.** Please contact DreamLine® if with any questions and please provide an order number, job name or other proof of purchase to help identify the original order.
2. Install all of the required plumbing and drainage before installing the shower base. **Use a competent and licensed (if required by local code) plumber for all plumbing installation.**
3. **Shower bases must be installed by a licensed plumber. Please note that you should consult your local building codes with questions on installation compliance standards. Building and plumbing codes may vary by location and DreamLine® is not responsible for code compliance standards for your project.**
4. Make sure that prior to the installation the installation surface is leveled and solid and will be able to support the total weight of the unit. Also make sure the walls are at right angles. While some adjustment in leveling of the tray is possible, irregular installation surface level or improper angle of side walls will result in serious problems for your installation. Please note that some adjustments may be necessary during the installation process.
5. **Center drain configurations are centered on the width only. See technical drawing tables for drain locations.**
6. **Drain not included with this product.** The drain opening is 3-3/8" in diameter and **accepts a standard 2" compression fitted drain.**

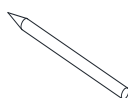
IMPORTANT NOTE:

Dimensions provided are for reference only. Measure the actual shower tray before installation. This includes overall dimensions and drain location. Allowed tolerance for center of the drain is +/-1/2".

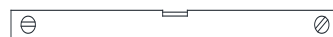
Tools Required



Tape
Measure



Pencil



Level

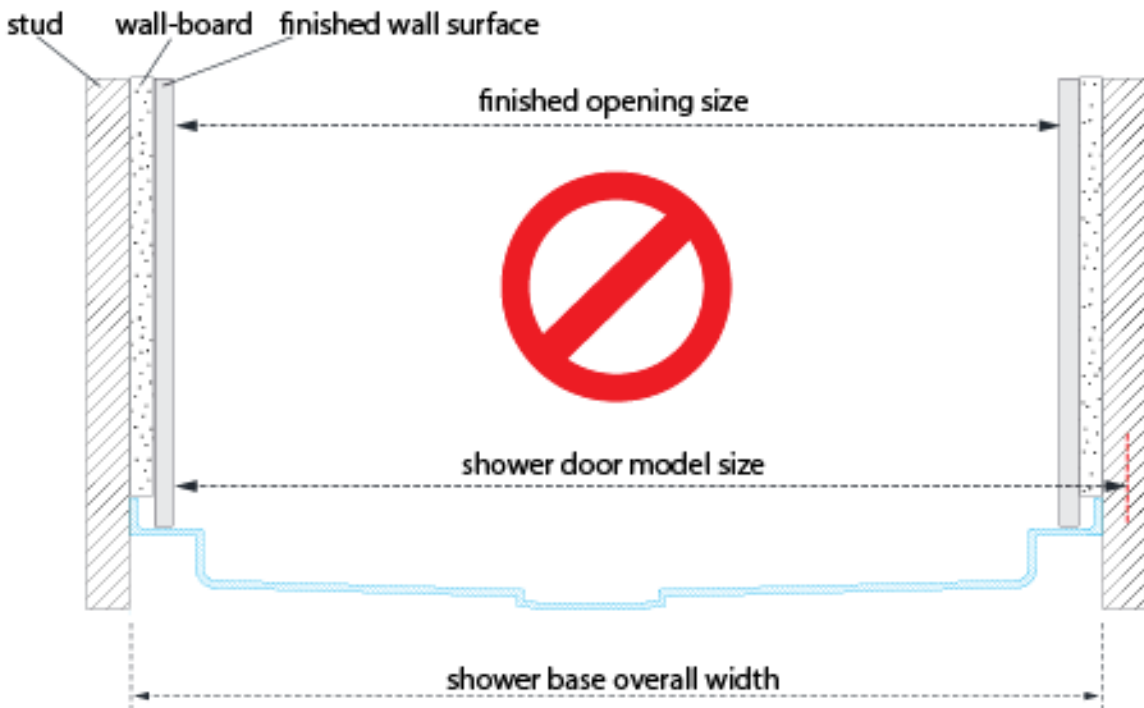
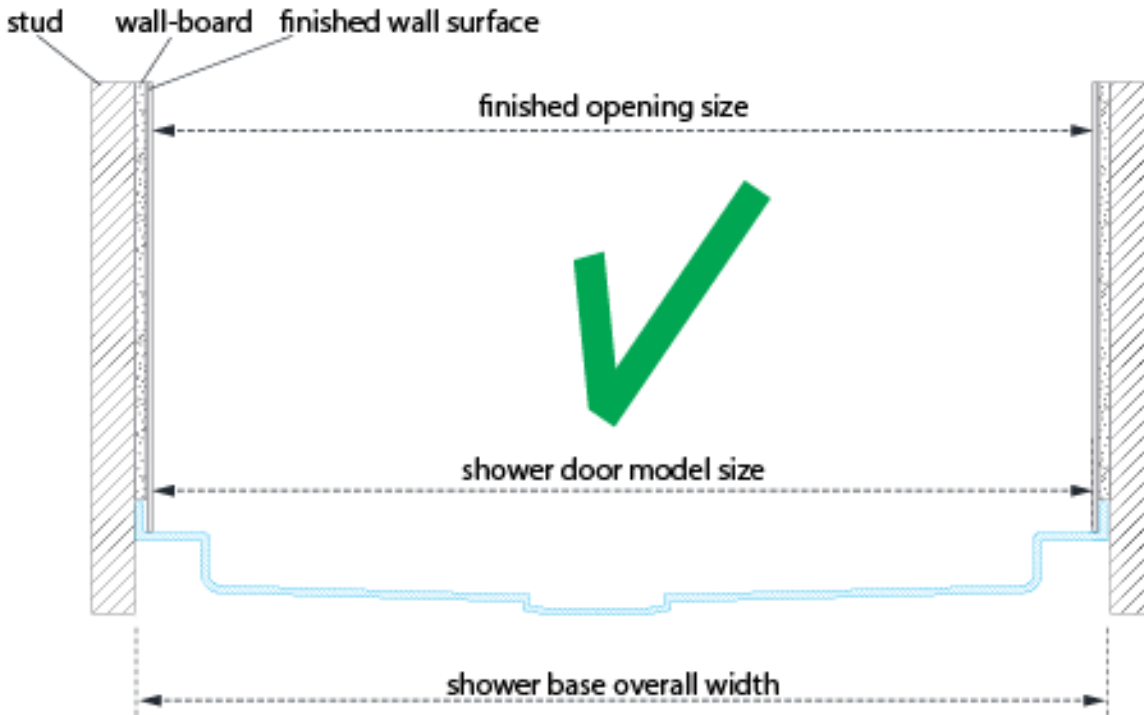


Mortar



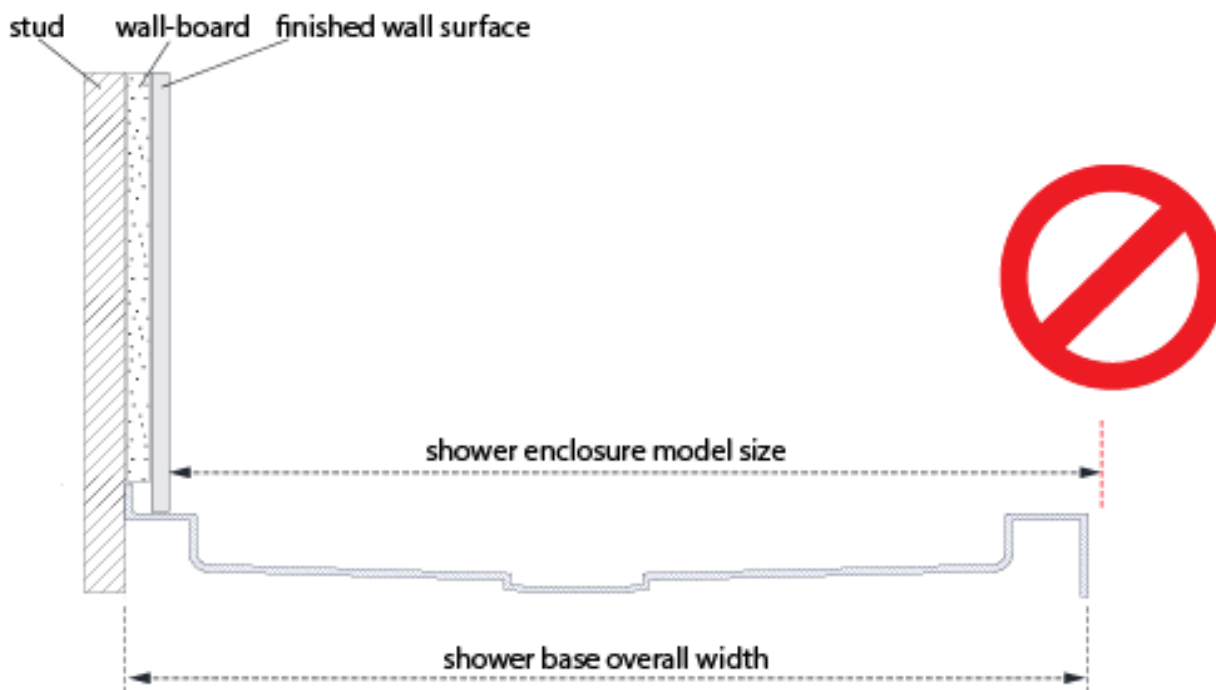
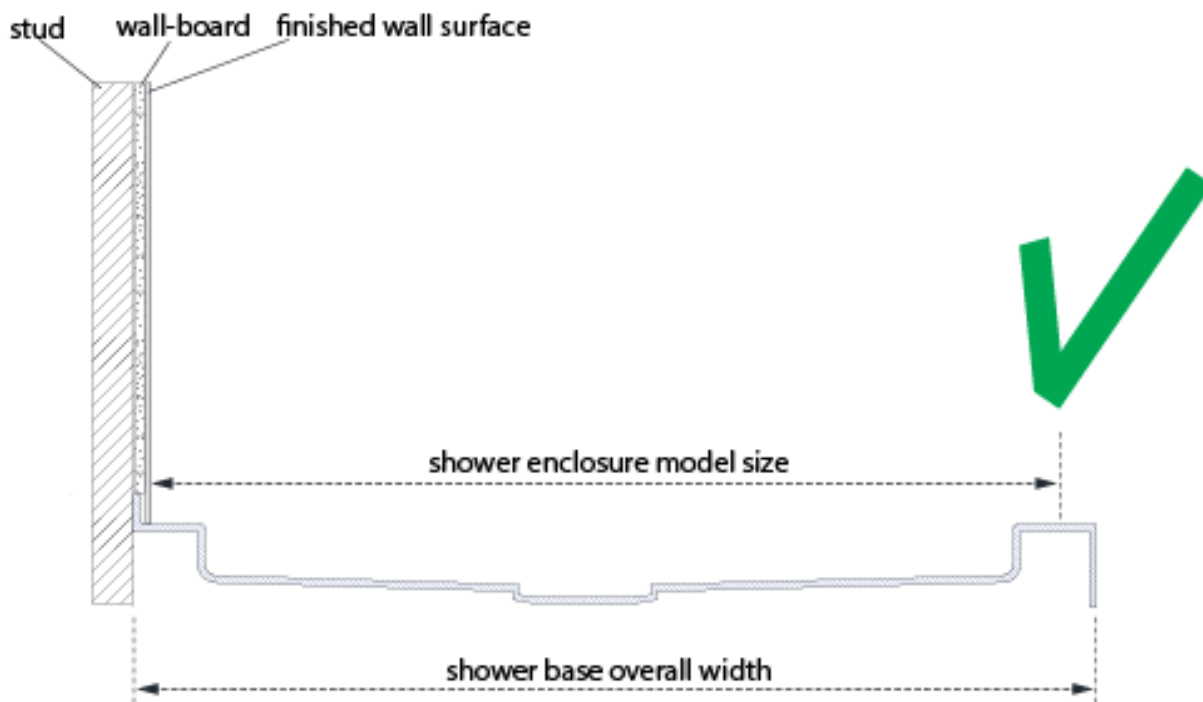
When constructing or installing a shower base, consider how **the thickness of the wall treatment (wallboard, tile, etc.) will affect the finished opening size for the shower door.**

Compare the overall dimensions of the shower door model with the finished opening size before proceeding with the installation.

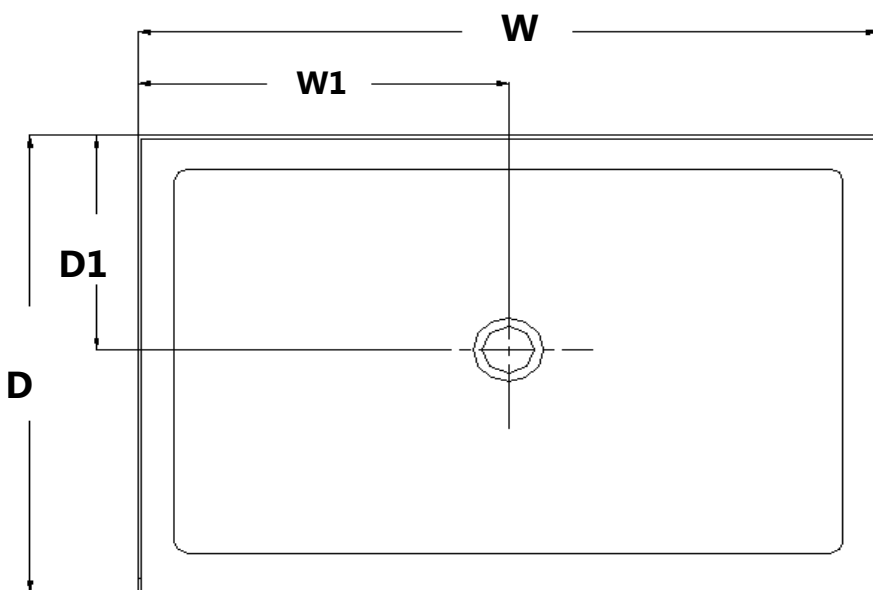
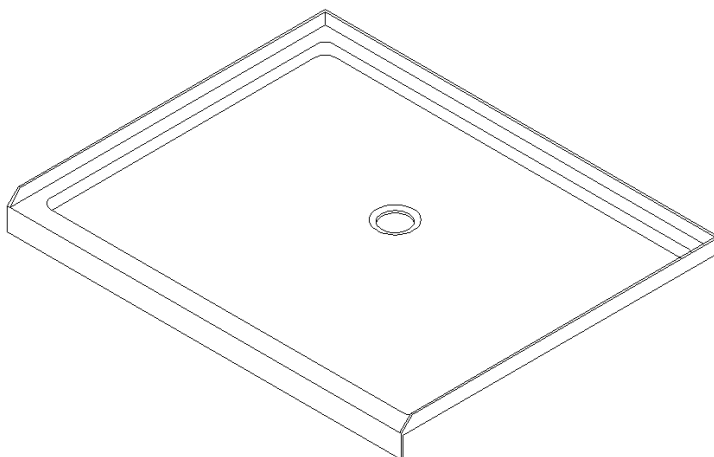




When constructing or installing a shower base, consider how **the thickness of the wall treatment (wallboard, tile, etc.) will affect where the shower enclosure will sit on the threshold.** Compare the overall outside dimensions of the shower enclosure model size with the finished threshold before proceeding with the installation.



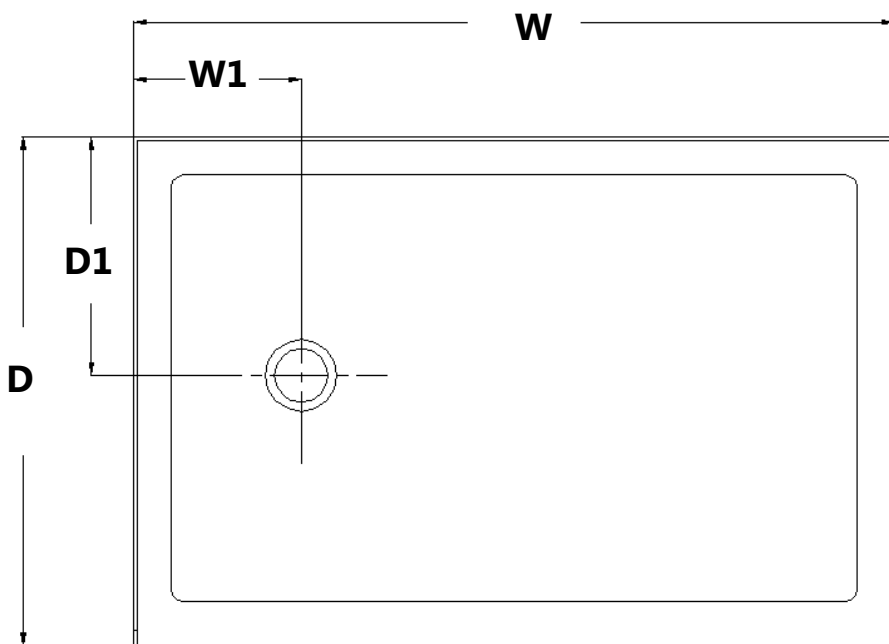
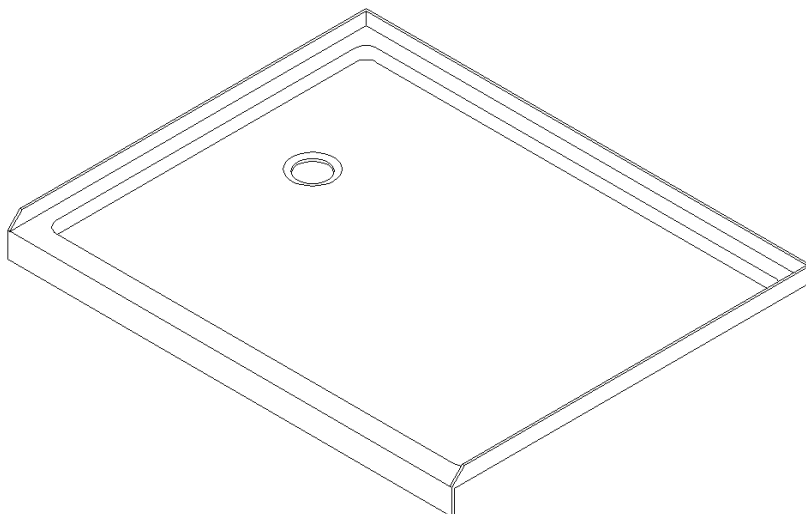
SINGLE THRESHOLD SHOWER BASE Center Drain Configuration



| MODEL | SPECIFICATION | D (in) | W (in) | D1 (in) | W1 (in) |
|-------------|---------------|--------|--------|---------|---------|
| DLT-1132320 | 32" x 32" | 32" | 32" | 15" | 16" |
| DLT-1136360 | 36" x 36" | 36" | 36" | 15" | 18" |
| DLT-1132420 | 32" x 42" | 32" | 42" | 15" | 21" |
| DLT-1134420 | 34" x 42" | 34" | 42" | 15" | 21" |
| DLT-1136420 | 36" x 42" | 36" | 42" | 15" | 21" |
| DLT-1142420 | 42" x 42" | 42" | 42" | 20" | 21" |
| DLT-1132480 | 32" x 48" | 32" | 48" | 15" | 24" |
| DLT-1134480 | 34" x 48" | 34" | 48" | 15" | 24" |
| DLT-1136480 | 36" x 48" | 36" | 48" | 15" | 24" |
| DLT-1132540 | 32" x 54" | 32" | 54" | 15" | 27" |
| DLT-1134540 | 34" x 54" | 34" | 54" | 15" | 27" |
| DLT-1136540 | 36" x 54" | 36" | 54" | 15" | 27" |
| DLT-1130600 | 30" x 60" | 30" | 60" | 15" | 30" |
| DLT-1132600 | 32" x 60" | 32" | 60" | 15" | 30" |
| DLT-1134600 | 34" x 60" | 34" | 60" | 15" | 30" |
| DLT-1136600 | 36" x 60" | 36" | 60" | 15" | 30" |

SINGLE THRESHOLD SHOWER BASE

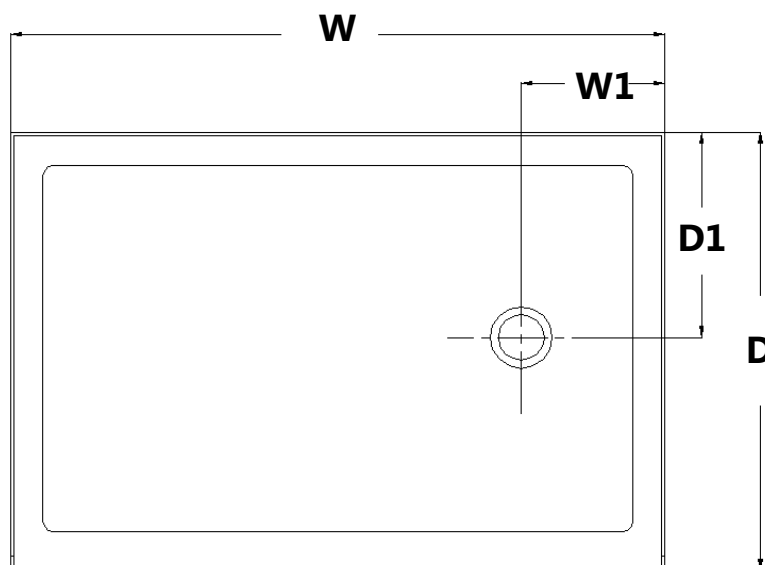
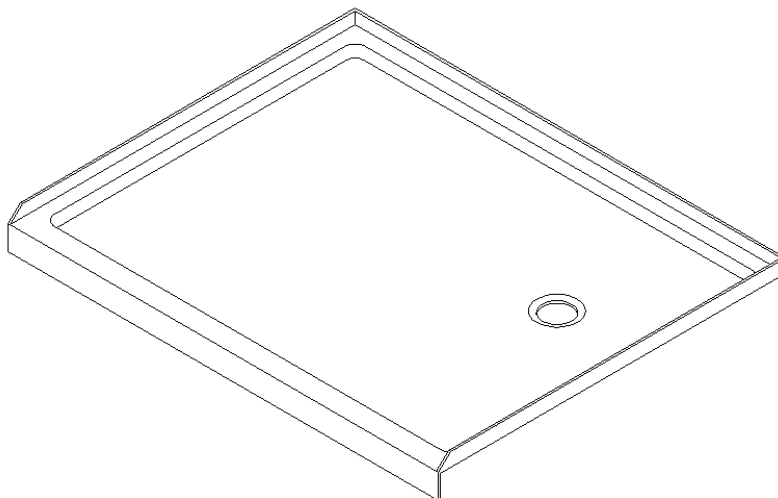
Left-Hand Drain Configuration



| MODEL | SPECIFICATION | D (in) | W (in) | D1 (in) | W1 (in) |
|-------------|---------------|--------|--------|---------|---------|
| DLT-1130601 | 30"×60" | 30" | 60" | 15" | 12" |
| DLT-1132601 | 32"×60" | 32" | 60" | 15" | 12" |
| DLT-1134601 | 34"×60" | 34" | 60" | 17" | 12" |
| DLT-1136601 | 36"×60" | 36" | 60" | 18" | 12" |

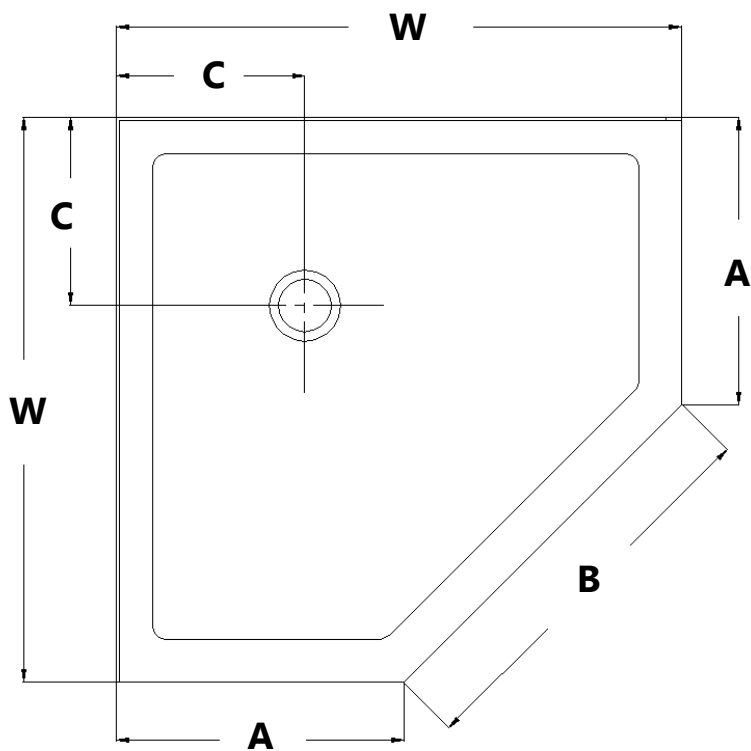
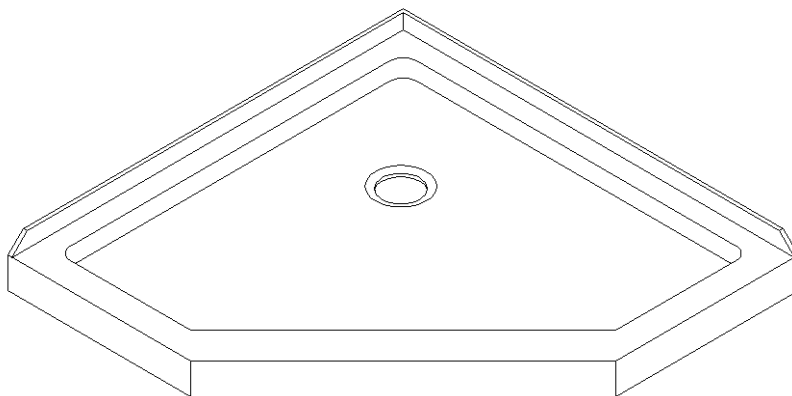
SINGLE THRESHOLD SHOWER BASE

Right-Hand Drain Configuration



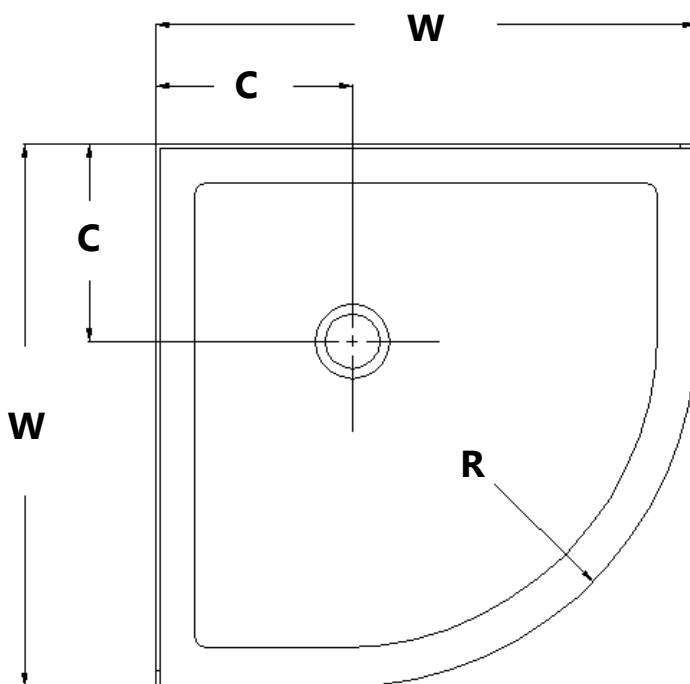
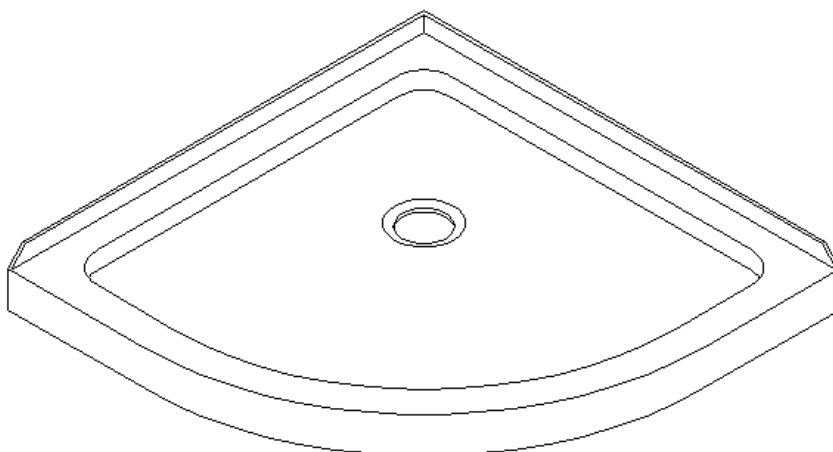
| MODEL | SPECIFICATION | D (in) | W (in) | D1 (in) | W1 (in) |
|-------------|---------------|--------|--------|---------|---------|
| DLT-1130602 | 30"×60" | 30" | 60" | 15" | 12" |
| DLT-1132602 | 32"×60" | 32" | 60" | 15" | 12" |
| DLT-1134602 | 34"×60" | 34" | 60" | 17" | 12" |
| DLT-1136602 | 36"×60" | 36" | 60" | 18" | 12" |

NEO ANGLE SHOWER BASE



| MODEL | SPECIFICATION | W (in) | A (in) | B (in) | C (in) |
|-------------|---------------|--------|----------|--------|---------|
| DLT-2036360 | 36"×36" | 36" | 18 5/16" | 25" | 12" |
| DLT-2038380 | 38"×38" | 38" | 20 5/16" | 25" | 12" |
| DLT-2040400 | 40"×40" | 40" | 22 5/16" | 25" | 14 3/8" |
| DLT-2042420 | 42"×42" | 42" | 24 5/16" | 25" | 14 3/8" |

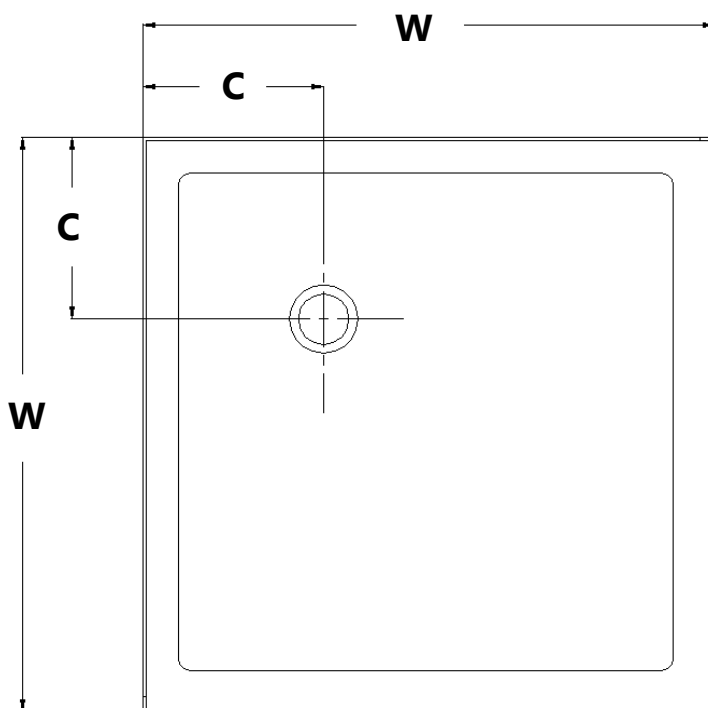
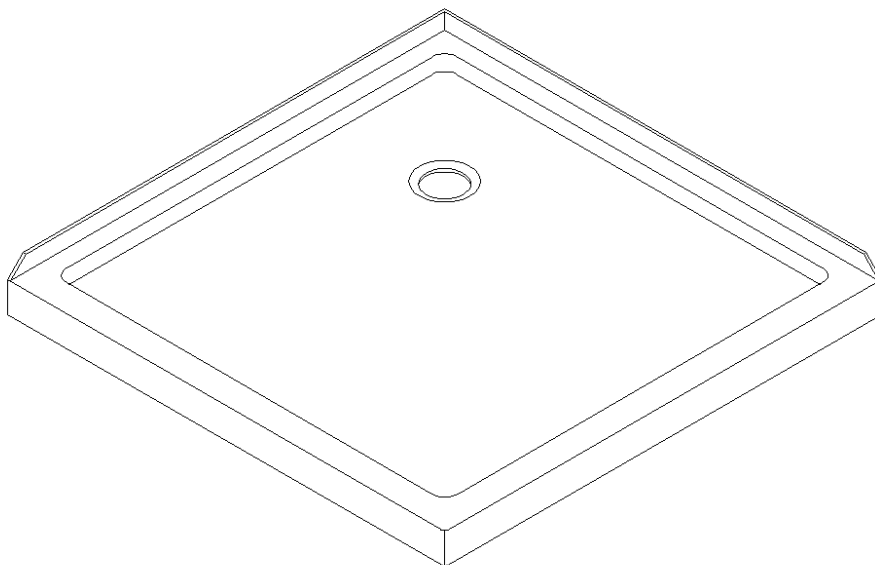
QUARTER ROUND SHOWER BASE



| MODEL | SPECIFICATION | W (in) | C (in) | R (in) |
|-------------|---------------|--------|--------|---------|
| DLT-7033330 | 33"×33" | 33" | 12" | 21 5/8" |
| DLT-7036360 | 36"×36" | 36" | 12" | 21 5/8" |
| DLT-7038380 | 38"×38" | 38" | 12" | 21 5/8" |

DOUBLE THRESHOLD SHOWER BASE

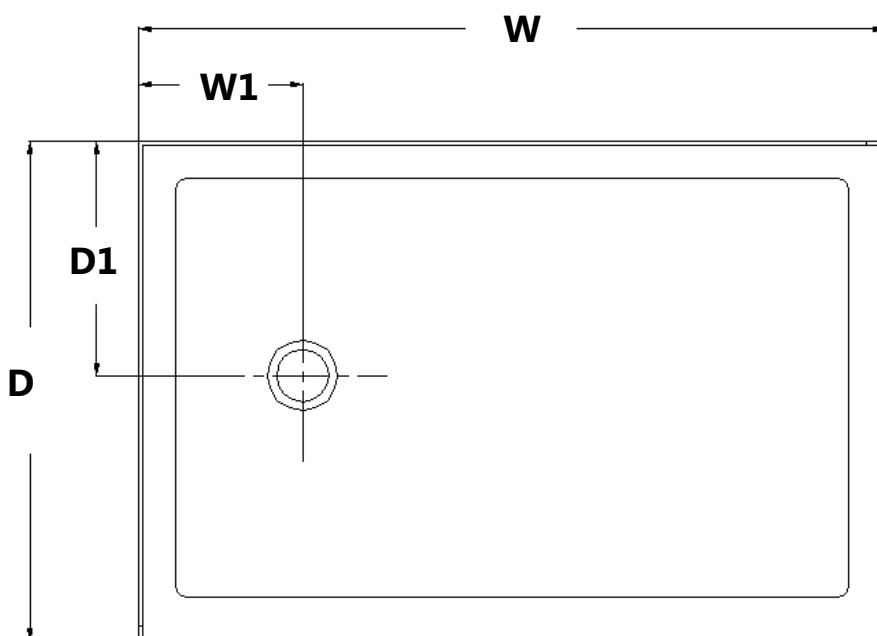
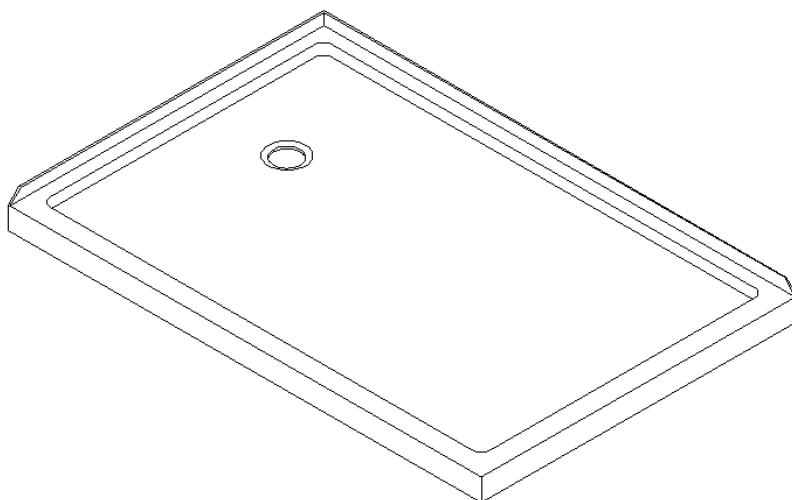
Corner Drain Configuration



| MODEL | SPECIFICATION | W (in) | C (in) |
|-------------|---------------|--------|--------|
| DLT-1032320 | 32" x 32" | 32" | 12" |
| DLT-1036360 | 36" x 36" | 36" | 12" |
| DLT-1042420 | 42" x 42" | 42" | 12" |

DOUBLE THRESHOLD SHOWER BASE

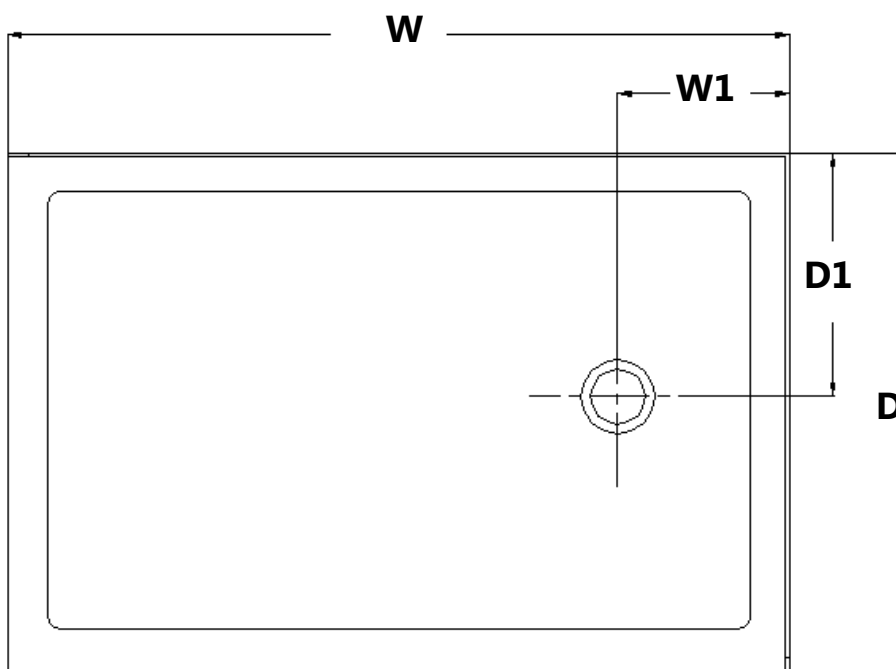
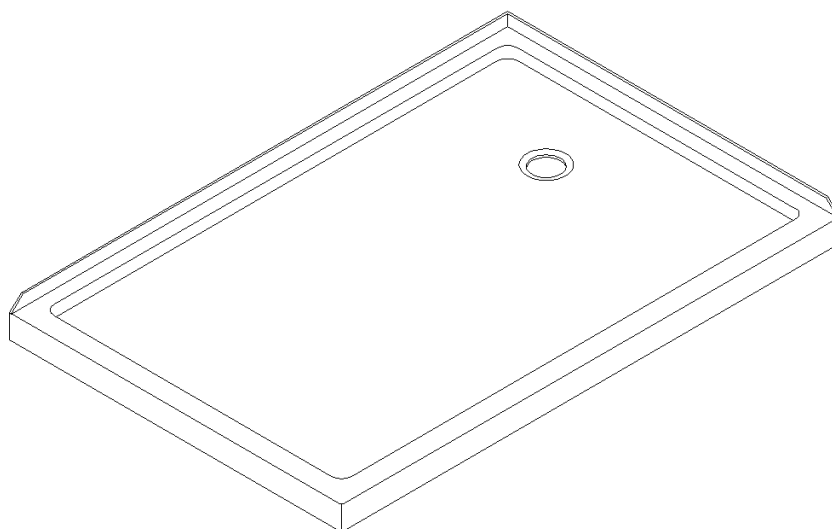
Left-Hand Drain Configuration



| MODEL | SPECIFICATION | D (in) | W (in) | D1 (in) | W1 (in) |
|-------------|---------------|--------|--------|---------|---------|
| DLT-1034481 | 34"×48" | 34" | 48" | 17" | 12" |
| DLT-1036481 | 36"×48" | 36" | 48" | 18" | 12" |
| DLT-1036541 | 36"×54" | 36" | 54" | 18" | 12" |
| DLT-1036601 | 36"×60" | 36" | 60" | 18" | 12" |

DOUBLE THRESHOLD SHOWER BASE

Right-Hand Drain Configuration



| MODEL | SPECIFICATION | D (in) | W (in) | D1 (in) | W1 (in) |
|-------------|---------------|--------|--------|---------|---------|
| DLT-1034482 | 34"×48" | 34" | 48" | 17" | 12" |
| DLT-1036482 | 36"×48" | 36" | 48" | 18" | 12" |
| DLT-1036542 | 36"×54" | 36" | 54" | 18" | 12" |
| DLT-1036602 | 36"×60" | 36" | 60" | 18" | 12" |

Shower Base Installation - Preparation

1. Ensure that the floor and the studs are at right angles.
 Provide a 5" x 5" opening in the sub-floor for the drain.
 The 2" PVC waste pipe should extend above the surface of the sub-floor according to the drain installation instructions and the height of the Shower base.
 Refer to the product drawings and tables in this installation manual for the drain location.

(Fig 1a and Fig 1b)

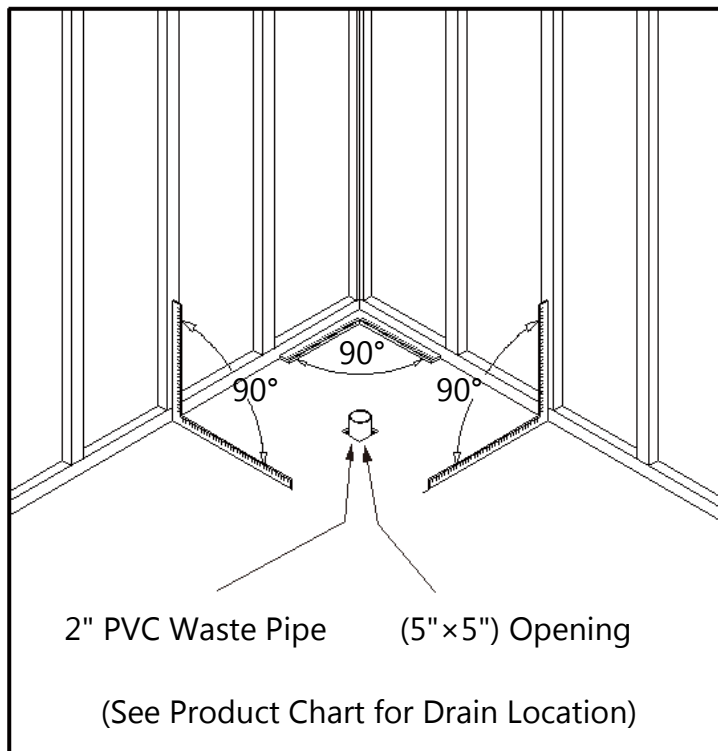


Fig 1a

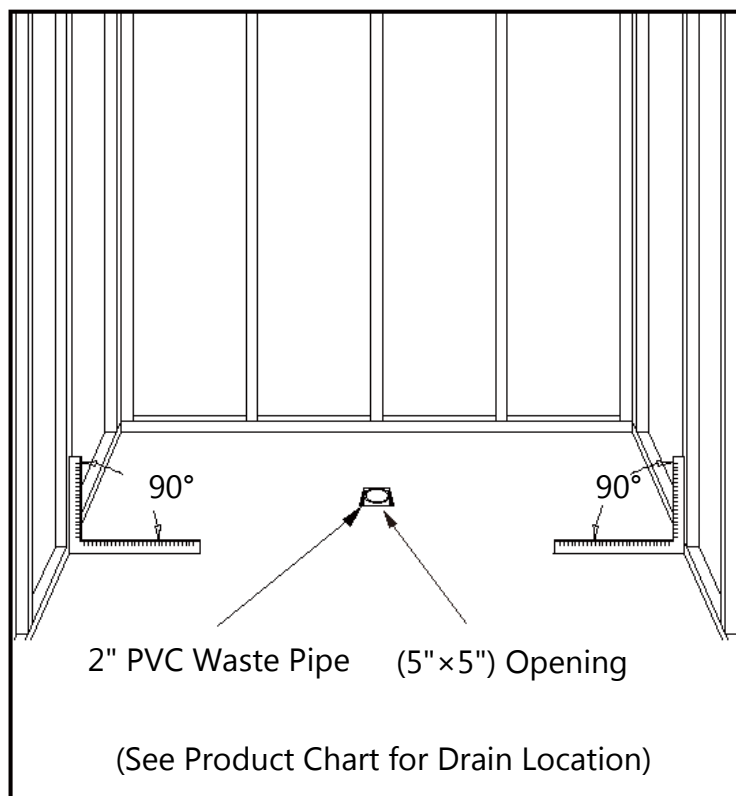


Fig 1b

2. Install the shower drain (**NOT INCLUDED**) according to the drain installation manual (supplied with the drain).

(Fig 2)

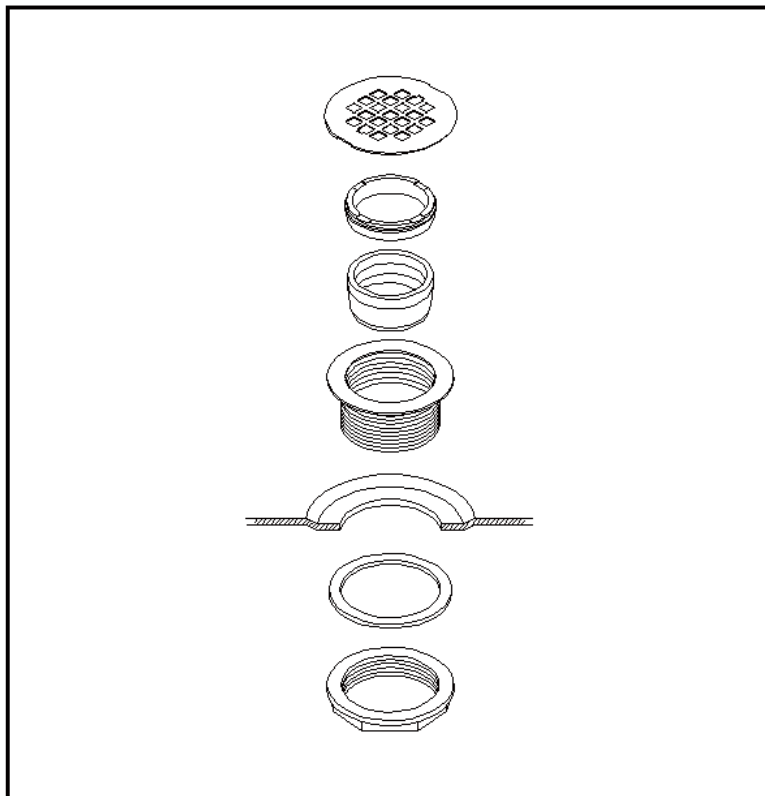
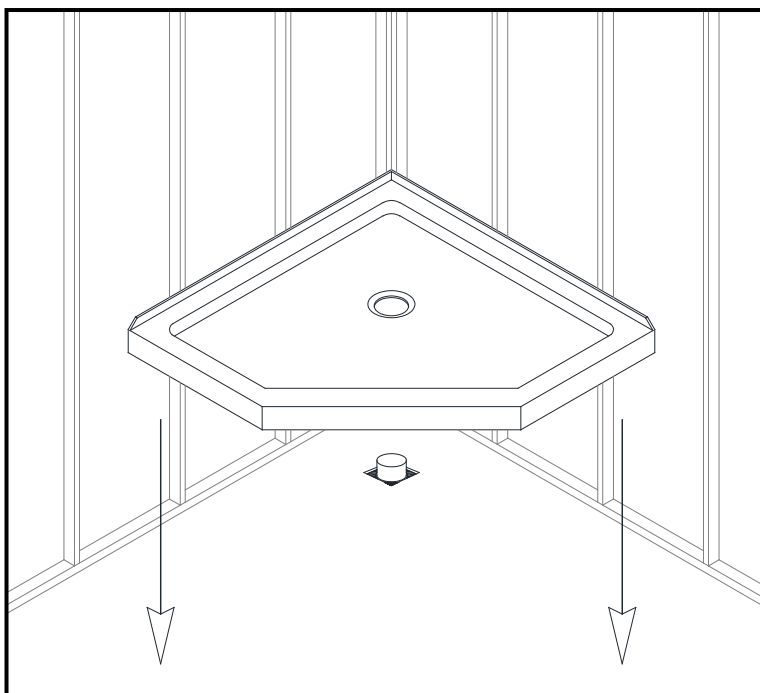


Fig 2

3. Place the tray into the designated position so that the Drain cutout drops around the Drain Pipe and butt the Shower Base up against the studs.

(Fig 3)



Lower the base over the drain pipe and set it into place against the studs.

Fig 3

4. Level the tray and place marks on the studs above the upper edge of the tile flange.

(Fig 4)

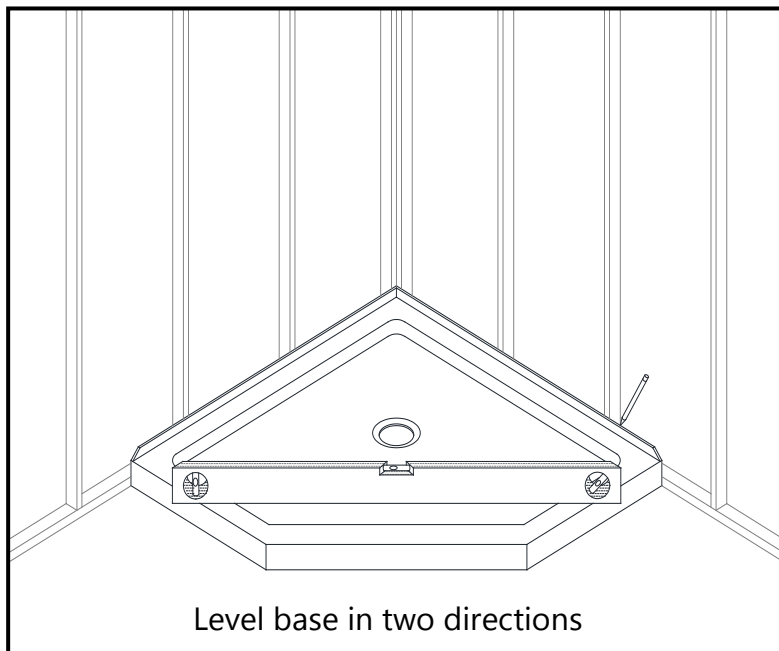


Fig 4

5. Mix the bedding material (Mortar, cement-sand mix, etc.) **Concrete or plaster is not recommended.** Apply enough bedding material to support the entire bottom of the shower base. This will add additional stability and prevent the base from shifting position.

(Fig 5)

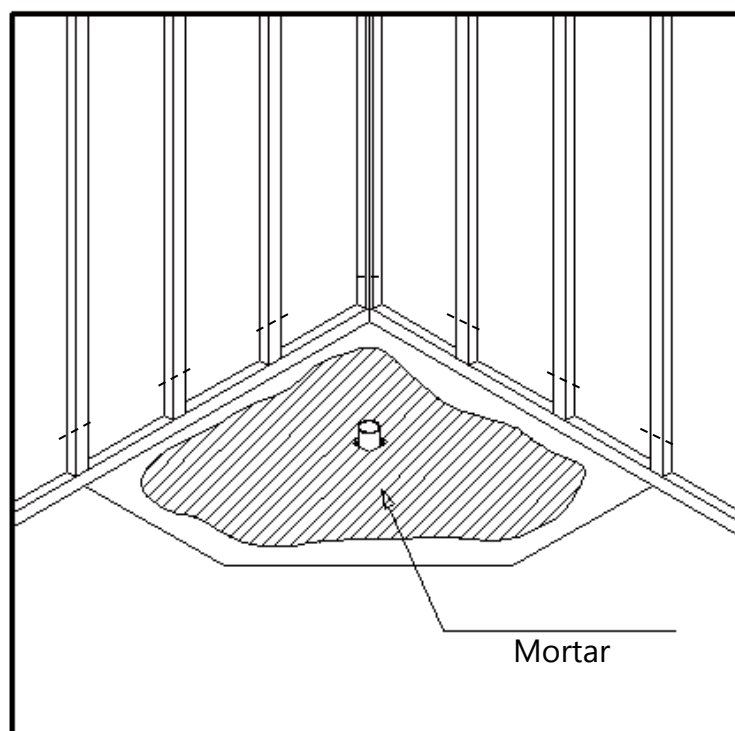


Fig 5

- After the bedding material has been poured and *before* it sets, place the shower base into the position with the drain assembly sliding over the PVC waste pipe. It will be necessary to push the shower base until the top of the tile flange aligns with the marks drawn on the studs and the front edge is contacting the rough floor along the entire length of the shower base. Ensure that the base is level in all directions. You may need to use shims to hold the tray level until the bedding fully sets. Remove all excess mortar.

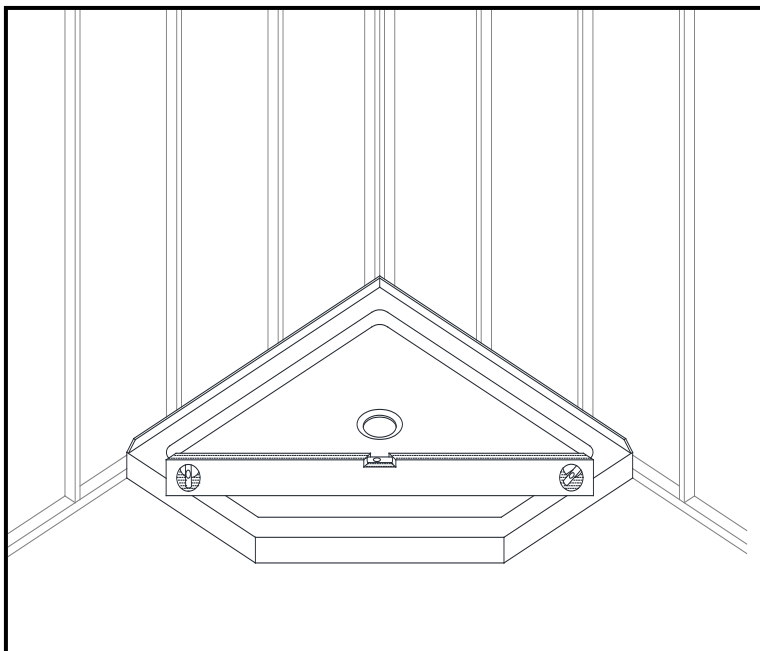


Fig 6

- Allow the bedding material to completely harden before applying weight to the bottom of the shower base. Install the cement board (or the wallboard) above the tile flanges and secure it to the studs. Put the tiles (or other finishing wall material) over the cement board leaving 1/8" gap between the bottom of the tile or wall kit and the shower base. Use caulk to fill the gap.

(Fig 7a and Fig 7b)

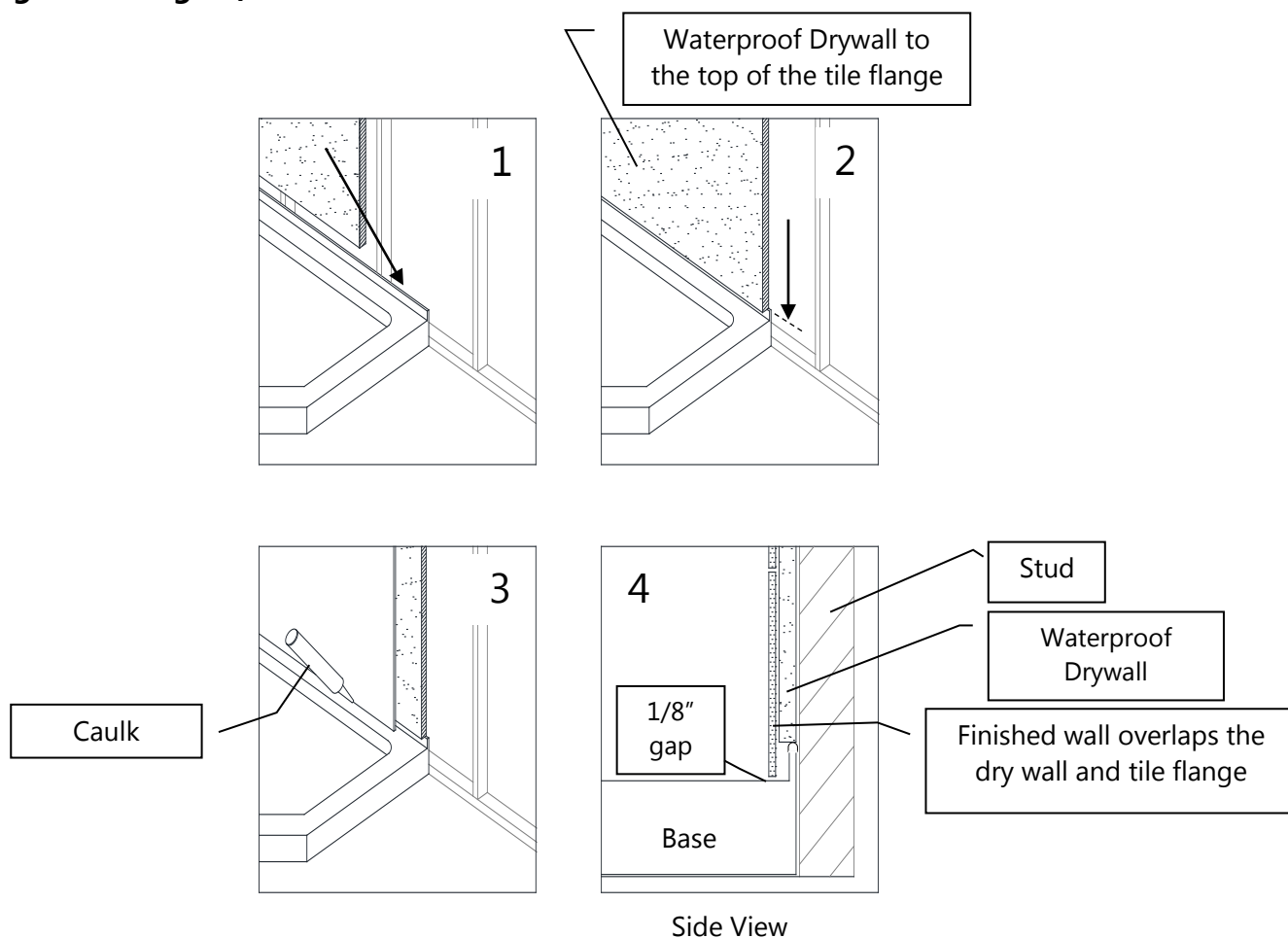


Fig 7a

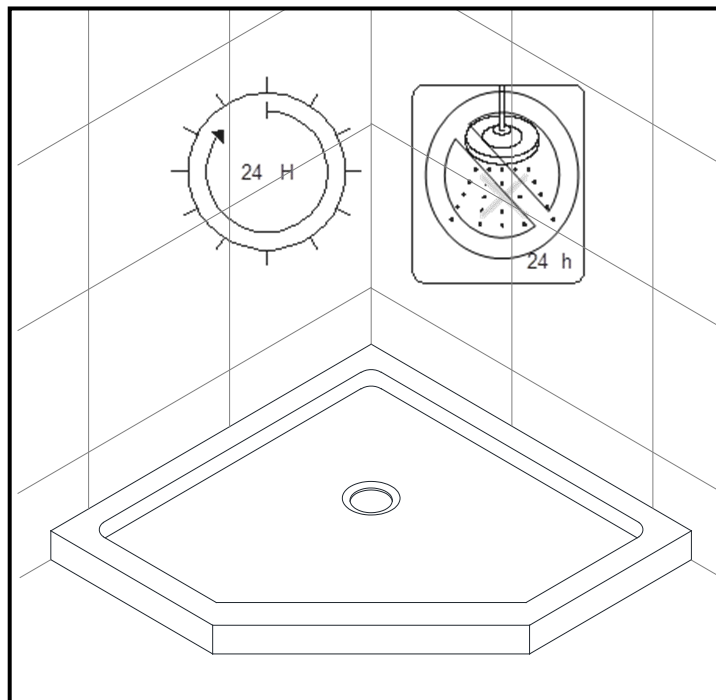


Fig 7b

Product Maintenance

BASES and BACKWALLS: To ensure long lasting life for your acrylic base and/or back walls: wipe them off after each use with a soft cloth. To clean the acrylic base or back walls use non-abrasive sprays or cream-based cleaners. Avoid the use of aerosol spray cleaners. Never use abrasive cleansers, metal brushes or scrapers that could scratch or dull the surface.

GLASS: To ensure long-lasting life for your glass shower products: wipe them off after each use with a soft cloth. Rinse and wipe off the glass using either a soft cloth or a squeegee to prevent soap buildup and water spots (Hard water can etch the surface of the glass over time if left to dry). To prevent scratching the surface: never use abrasive cleaners or cleaning products that contain scouring agents. Never use bristle brushes or abrasive sponges that may scratch the surface.

HARDWARE: To ensure a long-lasting finish: wipe off the metal parts after each use with a soft cloth. Do not use abrasive cleaners or cleaning products containing ammonia, bleach or acid. If accidentally used, rinse the surface as soon as possible to prevent damage to the finish (peeling or corrosion). After cleaning the polished finishes, rinse thoroughly and wipe dry with a soft cloth.

Clean stainless-steel surfaces at least once a week. When applying stainless steel cleaner or polish to stainless steel hardware, work with (not across) the grain. Never use an abrasive sponge or cloth, steel wool or wired brush as these may permanently scratch the surfaces.

NOTE: To maximize the life of your door, it is important to regularly inspect the glass and other hardware for misalignment, proper attachment, and/or damage. Contact DreamLine with any questions or concerns.



TEL: [866-731-2244](tel:866-731-2244)

FAX: [866-857-3638](tel:866-857-3638)

DREAMLINE.COM

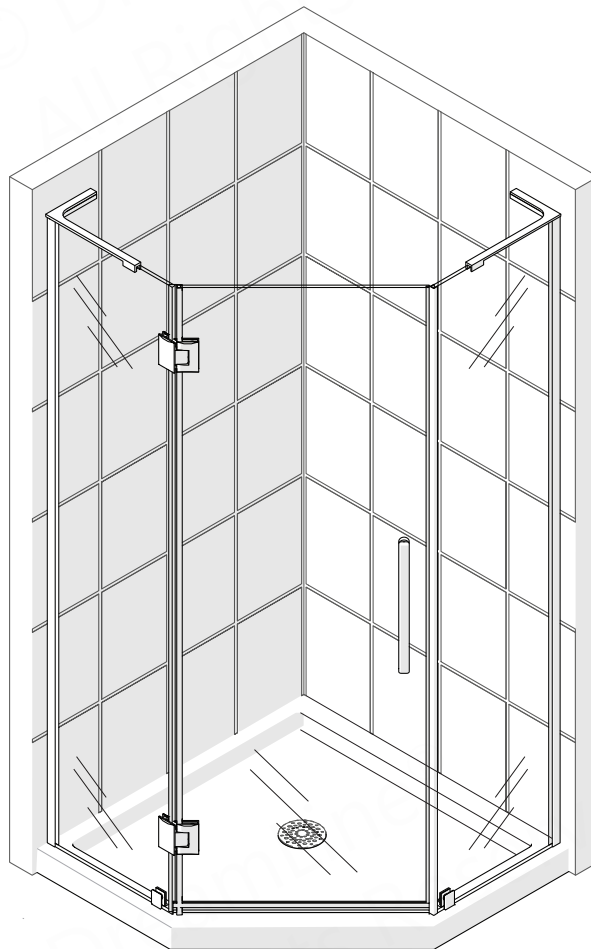
For more information on [DreamLine[®] Shower Doors](http://DreamLine.com) and [Enclosures](http://DreamLine.com) please visit DreamLine.com



PRISM PLUS

SHOWER ENCLOSURE INSTALLATION INSTRUCTIONS

PLEASE REVIEW THIS ENTIRE MANUAL PRIOR TO INSTALLATION



(Left-swing door installation shown)

MODEL #s

SHEN-2634340-##

SHEN-2636360-##

SHEN-2638380-##

SHEN-2640400-##

##=finish

01- Chrome

04- Brushed Nickel

06- Oil Rubbed Bronze

09- Satin Black

G - Gray Glass

IMPORTANT!

DreamLine® reserves the right to alter, modify or redesign products at any time without prior notice for the purpose of product improvement and customer experience. Please refer to the model's web page on **DreamLine.com** for the latest technical drawings, installation manuals, warranty information or additional product details.

Do Not Return Product to the Store. Contact DreamLine® with any questions

Questions?

Please Call **DreamLine Customer Support: 1-866-731-2244**
Hours of Operation M-F 8AM - 6PM EST

Support@DreamLine.com





This model is treated with DreamLine’s exclusive ClearMax™ Glass technology. This is a specially formulated coating that prevents the build up of soap and water spots.

Install the surface with the ClearMax™ label towards the inside of the shower. Please note that depending on the model, the glass may be coated on either one or both surfaces.

Do not remove ClearMax stickers until after the glass is installed.

For best results, squeegee the glass after each use and dry with a soft cloth.

Record the following purchase information for your records or in the event you need to contact DreamLine®:

Purchase Order Number _____

Store/Vendor Purchased From _____

Installation Date _____

OD Number (optional) _____
located on the shipping box or label if available.

Installed By: _____

SKU Number _____

Table of Contents

| Section Title | Page # |
|--|--------|
| Checking Dimensions | 2 |
| Important Information | 3 |
| Model-Specific Preparation | 4 |
| Tools | 5 |
| Detailed Diagram of Shower Door Components | 6 |
| Parts List | 7-8 |
| Installation Steps | 9-29 |
| Adjustable Hinge Information | 30 |
| Product Maintenance | 31 |
| Troubleshooting | 32 |
| Factory Parts Information | 33 |



Measure the finished opening before proceeding with the installation to be sure the correct model size has been ordered

Symbol Legend



TIP - for ease of installation.



CORRECT - recommended.



NOTE - take note of special feature; additional information.

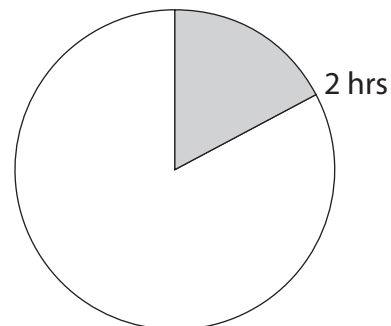


INCORRECT - not recommended.



REQUIRED - requires special attention; signifies a warning.

Average Installation Time



Checking Dimensions



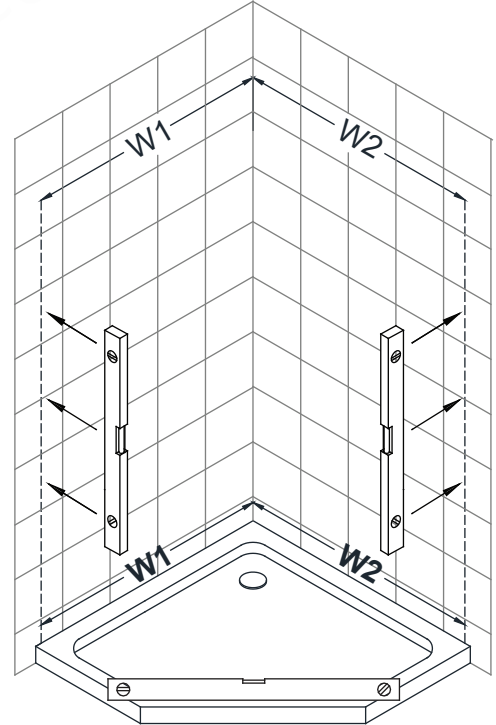
NOTE: This enclosure must be installed at the model size dimensions shown in **Table A** on **page 2 and page 9**. Be sure that the correct size shower enclosure has been ordered to fit the finished dimensions of the base or threshold where the enclosure will be installed.

NOTE: The thickness of the finished wall treatment will affect where the enclosure will align upon the threshold.

W1 and W2 dimensions are measured from the finished corner of the walls to the outside edge of the wall profiles.

Table A

| Glass Box Code | W1 | W2 |
|---------------------|-----|-----|
| SHEN-GLP2601-343410 | 34" | 34" |
| SHEN-GLP2601-363610 | 36" | 36" |
| SHEN-GLP2601-383810 | 38" | 38" |
| SHEN-GLP2601-404010 | 40" | 40" |



Model sizes:

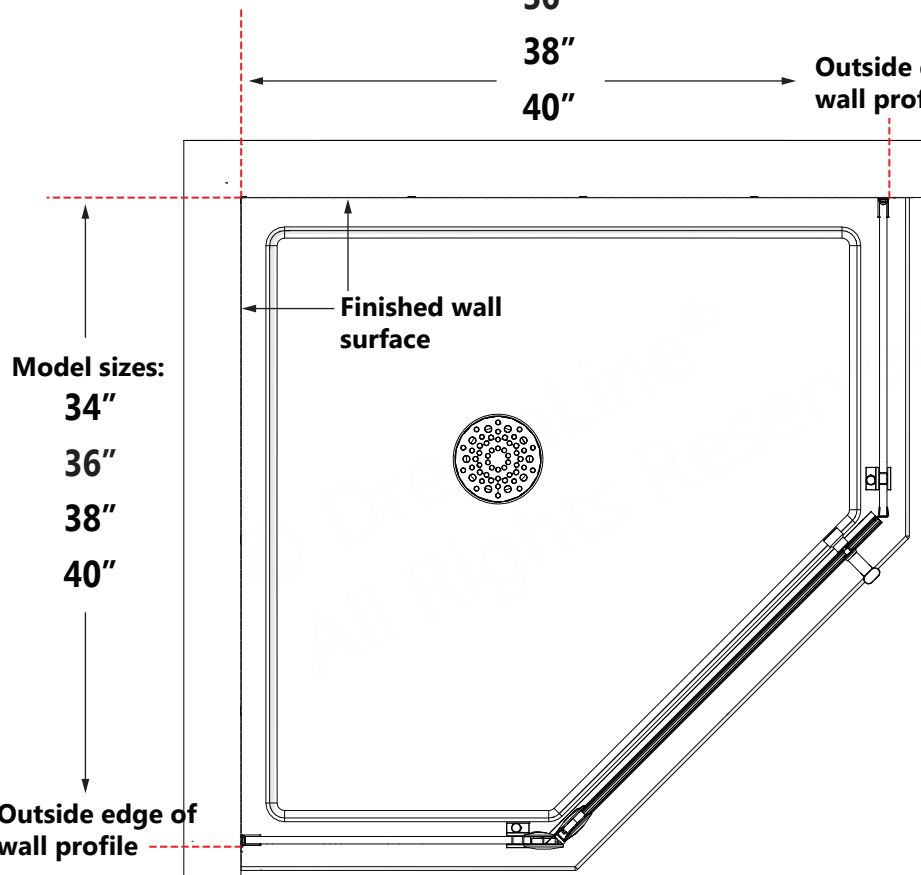
34"

36"

38"

40"

Outside edge of wall profile



Measure at the bottom and draw a plumb line up from the threshold



IMPORTANT

- DreamLine® reserves the right to alter, modify or redesign products any time without prior notice for product improvement and customer experience. Please refer to the model's web page on DreamLine.com for the latest technical drawings, installation manuals, warranty information or additional product details.
- This product should be installed by someone familiar with the construction requirements for this type of project and the care necessary for the safe installation and operation of the product.
- The safety of any installation is the responsibility of the installer.
- Professional installation recommended. (*All Models*)
- Professional installation required. (*Enigma Series*)
- To prevent damage or serious injury, Do Not lean against the installed panel/door/glass.
- To prevent damage or serious injury: Do Not attempt to lift or move a heavy lite of glass alone. Use an assistant and/or a professional grade glass suction cup.
- The installation of some models may require drilling down into the threshold. Contact the manufacturer of the base, tub, or threshold material with any questions regarding the drilling of holes into their product.
- All drawings in this installation manual are for illustrative purposes only and are not drawn to scale.

TEMPERED GLASS WARNING

- Your Shower Door Glass Could Shatter Without Warning if Improperly Installed or Mishandled
- Do Not install or operate a shower door if the glass has chipped corners, slivered edges or is otherwise damaged and/or has been dropped or banged into a hard surface such as tile, marble or glass.
- **The main causes of tempered glass breakage are:**
 - Improper handling, storage or installation
 - Misuse/abuse
 - Lack of maintenance
 - Failure to replace damaged glass
 - **Improper handling during storage, unpacking and installation:**
 - Corners and edges are the most susceptible area to damage on a lite of tempered glass and should be protected and handled with care during storage, unpacking, installation and operation. A concentrated point of pressure or impact with a surface harder than itself may cause the tempered glass to shatter. The tempered glass may release immediately, within several hours or even days later.
 - **Incorrect installation of door hardware, rollers, hinges, channels, stopper or glass:**
 - Improper installation may include: loose hardware and/or lack of proper gaskets between the hardware and glass. Additionally, improper alignment of guide rails, wall profiles or other hardware during installation or operation may place stress on the glass edges and cause it to break.
 - This product must be installed by a professional and experienced installer familiar with the safe handling of tempered glass.
 - **Improper use of this product:**
 - Aggressively opening or closing the door may cause trauma to the glass, which can lead to breakage. This may occur immediately or hours or even days later.
 - **The shower door hardware and glass should be inspected periodically:**
 - Instruct the homeowner how to perform a periodic inspection of the shower hardware and glass - some minor adjustments may be necessary based upon the use (or misuse) of the shower door. Ensure that the hardware remains tight and that the door alignment and operation are correct. Any adjustments should be made upon discovery to prevent damage to the product.
 - Additional considerations should be given to the installation of frameless tempered glass products in households with young children or an elderly person due to an increased chance of improper handling. In such cases, alternatives such as shower curtains or grab bars should be considered.

GENERAL PREPARATION

- After opening all boxes and packages, read this introduction carefully. Check that all the items are included in the package by marking off the components on the “**Detailed Diagram of Product Components**” page. Examine all boxes and packages for shipping damage. If the unit has been damaged, has a finishing defect, or is missing parts; please contact our Customer Support department within 3 business days of the delivery date. **Please note that DreamLine® will not replace any damaged products or missing parts free of charge after 3 business days or if the product has been installed.** Please contact DreamLine® if you have any questions.
- **Please note that you should refer to your local building codes with questions on installation compliance standards. Building and plumbing codes may vary by location, and DreamLine® is not responsible for code compliance standards for your project and will not accept any returns.**
- If this unit is going to be installed in a new construction, install all the required plumbing and drainage before installing the shower. **Use a competent and licensed (if required by local code) plumber for all plumbing installation.**
- Make sure that prior to beginning the installation, the surfaces are leveled and solid and will be able to support the total weight of the unit. Also make sure the walls are at right angles. Irregular installation surface level, radius corners or improper angle of side walls will result in serious problems for your installation. Please note that some adjustments and drilling will be necessary during the installation process.
- Protect all primary surfaces of the product during installation. Never set your glass down directly onto a tile floor. Leave corner protectors in place until it is necessary to remove them. Always use a piece of wood or cardboard to protect the bottom edge and corners of the glass prior to and during installation.
- This unit must be installed upon a finished threshold and against finished walls.
- *DreamLine® shower doors are not designed to be installed into a fiberglass surround due to the radius corners and lack of a solid surface to mount the hardware.*

WARNING: TO AVOID THE RISK OF DAMAGE OR INJURY:

- **Follow all recommendations and requirements as shown in the installation instructions.**
- Perform a thorough inspection of the glass and all parts for any damage prior to installation. Any damage to tempered glass can cause breakage. **Do Not install damaged glass!**
- Do Not install or operate a shower or tub door if the glass has chipped corners, slivered edges or is otherwise damaged. Do Not install or operate a shower or tub door that has been dropped or banged into a hard surface such as tile, marble or glass.
- **CAUTION:** Contact with any hard surface can damage tempered glass and cause it to shatter.
- This product uses tempered glass. Glass cannot be cut after it has been tempered. **Do Not attempt to cut tempered glass.**
- DreamLine® Glass Shower doors, Tub doors, Inline panels, and Return panels can shatter due to improper handling or lack of maintenance. Conduct periodic inspections of glass and all parts for possible damage, missing or loose parts.
- Always wear proper safety equipment such as: safety goggles, work gloves and appropriate footwear during the installation process.
- **WARNING. Risk of leakage and/or damage.** Follow all instructions regarding the application of silicone sealant or caulk. Allow 24 hours for the sealant to cure before the initial use of the shower or tub product. Follow the silicone manufacturer's recommendations regarding the use of their product.
- **Thoroughly read these instructions before installing or using this product.**
- **Leave this manual for the end-user of the product.**



This product should be installed by someone familiar with the construction requirements for this type of project and the care necessary for the safe installation and operation of the product.

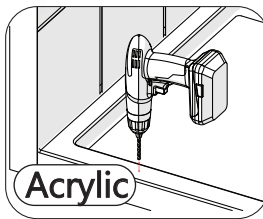
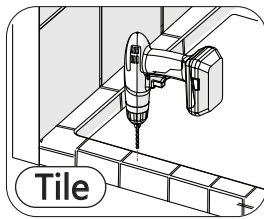
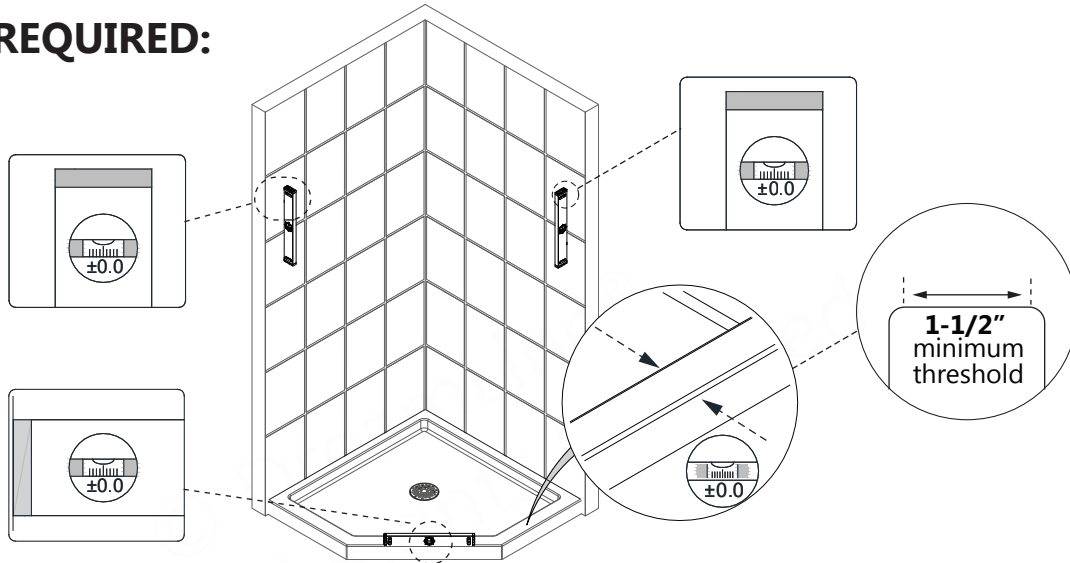


Professional Installation recommended

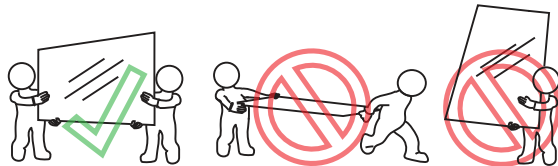
Model-Specific Preparation



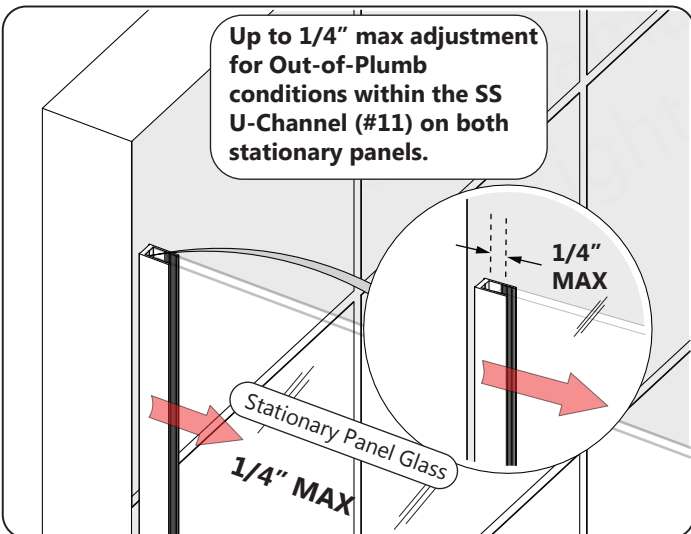
REQUIRED:



Contact the manufacturer of the base or other threshold material with any questions regarding the drilling of holes into their product.

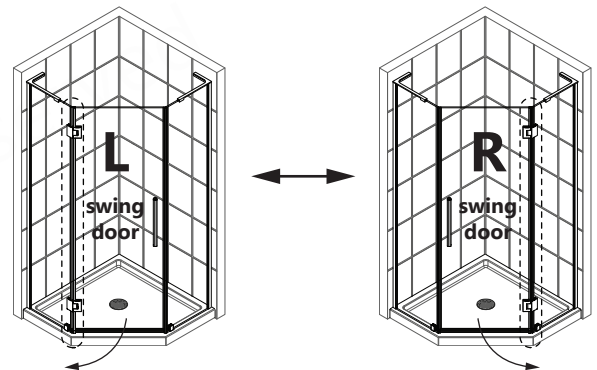


Professional installation is recommended for this door. Two installers recommended.



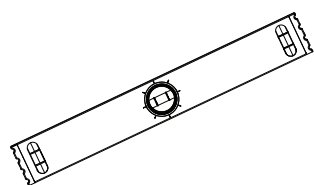
DO NOT install the handle onto the door glass until instructed.

DO NOT lift the glass using the handle. This could result in damage to the glass and/or serious personal injury. Always use an assistant or a professional grade glass suction cup when handling heavy glass.

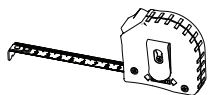


This model is reversible for left or right-hand swing door installation. The left-hand swing door installation is used as an example throughout this manual. For right-hand door installation, simply reverse the orientation of the steps shown and begin on the opposite wall.

Tools



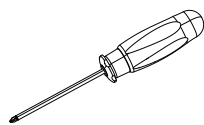
Level



Tape Measure



Pencil



#2 Phillips Screwdriver



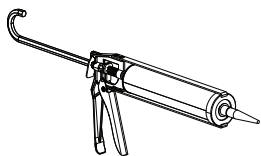
Drill bit (Ø1/8") (3mm)



Drill bit (Ø3/16") (4.76mm)

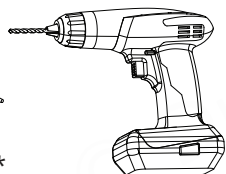


Drill bit (Ø5/16") (8mm)

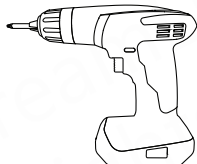


100% Silicone*

*Quick-drying/fast-curing silicone recommended for the installation of hinge panels.



Power Drill



Screw Gun



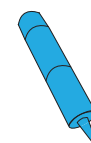
4mm Hex Bit



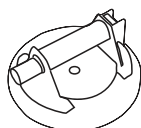
#2 Phillips Driver Bit



#2 Phillips Extended driver bit



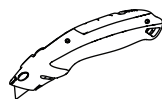
Medium-Strength Thread Lock (not included)



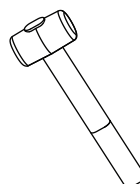
Professional-grade Glass Suction Cup **(Optional but recommended)**



13/16" shims



Razor Knife



Soft Head Hammer



Safety Glasses



Work Gloves



Verify that the correct model size has been ordered; measure the finished opening **before** proceeding with the installation.

Confirm that the finished walls are plumb and the threshold is level and pitched into the shower area.

Use a good quality waterproof, mildew-resistant 100% silicone.

Cover the shower/tub drain with tape prior to installation to prevent the loss of screws or small parts.

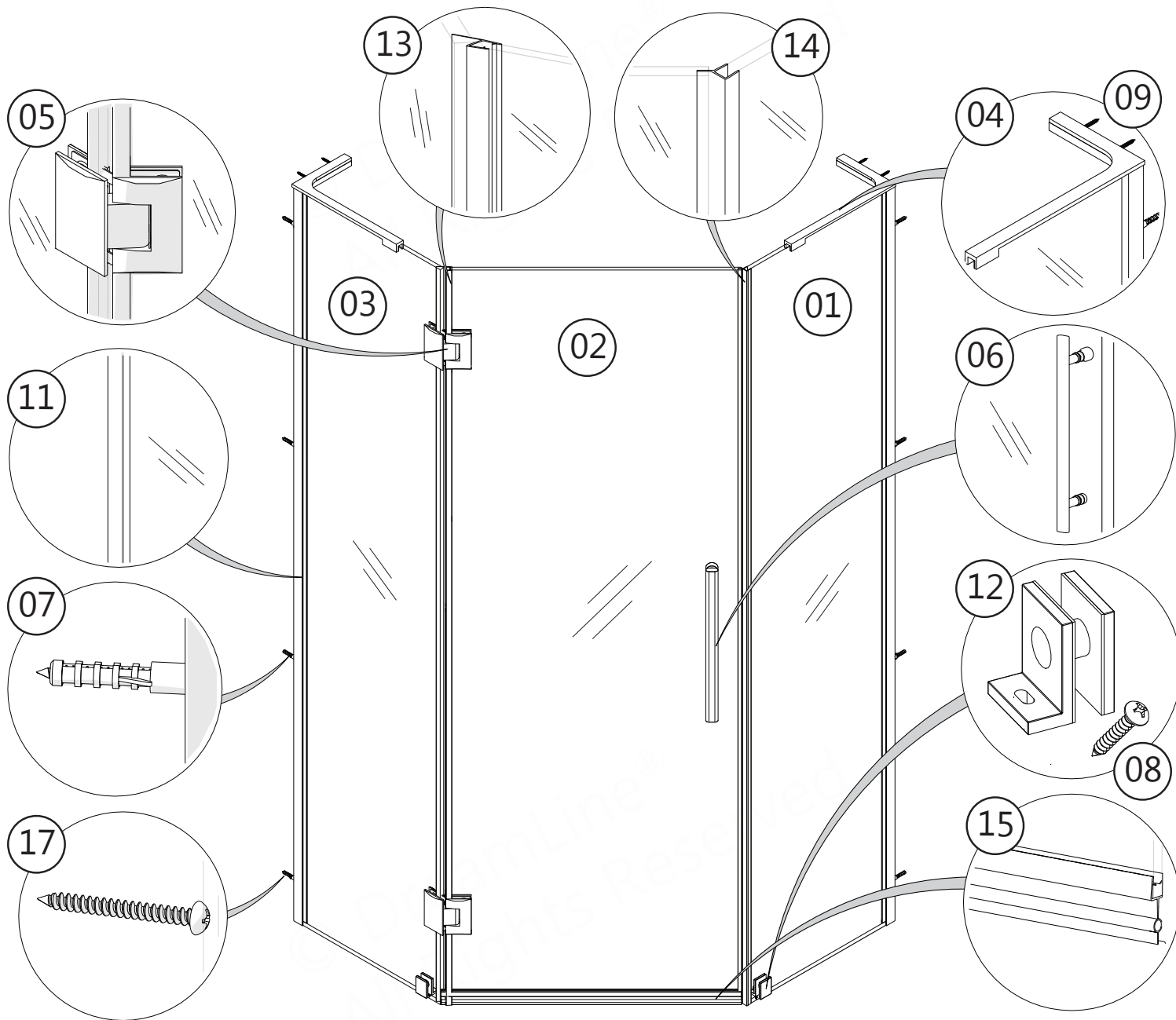


Unpack your unit carefully and inspect it. Lay it out and identify all parts using the **Detailed Diagram** on **page 6** and parts list in this manual as a reference. Before discarding the carton, check for small hardware bags that may have fallen to the bottom of the box. If any parts are damaged or missing, please contact DreamLine® for replacement.




Retain these installation instructions for future reference.

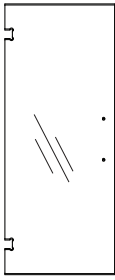
Detailed Diagram of Shower Door Components




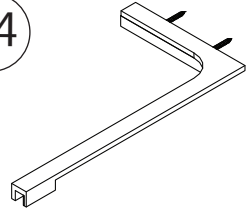
(Left-swing door installation shown)

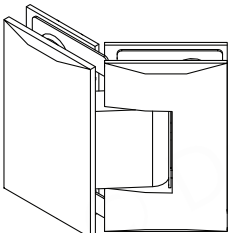
Parts List


01

 Return Panel Glass **x1**

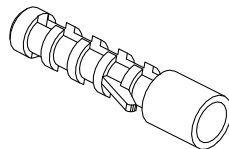
02

 Door Glass **x1**

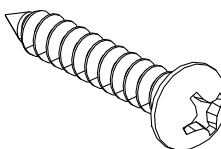
03

 Hinge Panel Glass **x1**

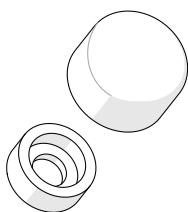
04

 L-Bar™ Support Bracket (Right & Left) **x2**

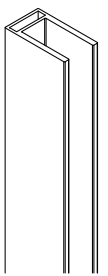
05

 130° Glass-to-Glass Hinge Assembly **x2**

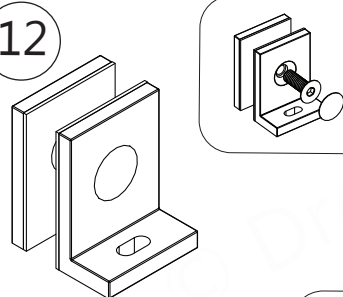
06

 Handle **x1**

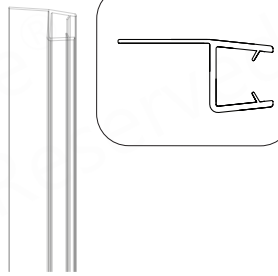
07

 Wall Anchor 8mm (5/16") **x8**

08

 ST4.0 x 25mm Pan Head Screw **x2**

10

 Decorative Cover and washer **2 ea**

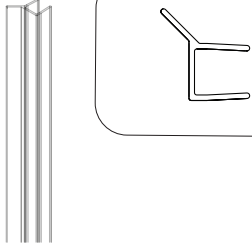
11

 U-Channel 1" Stainless Steel for 10 mm (3/8") glass **x2**

12

 Bottom Glass Bracket **x2**

13

 Vinyl Seal with Flexible Fin for 10 mm (3/8") glass **x1**

Parts List

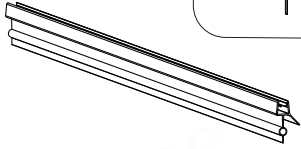
14



135° Strike Vinyl for
10mm (3/8") glass

x1

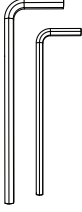
15



Bottom Sweep Vinyl
for 10mm (3/8") glass

x1

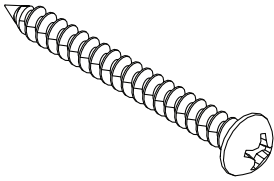
16



3mm/4mm Hex Key

1 ea

17



ST4.0 x 40mm
Pan Head Screw

x8

Installation Steps

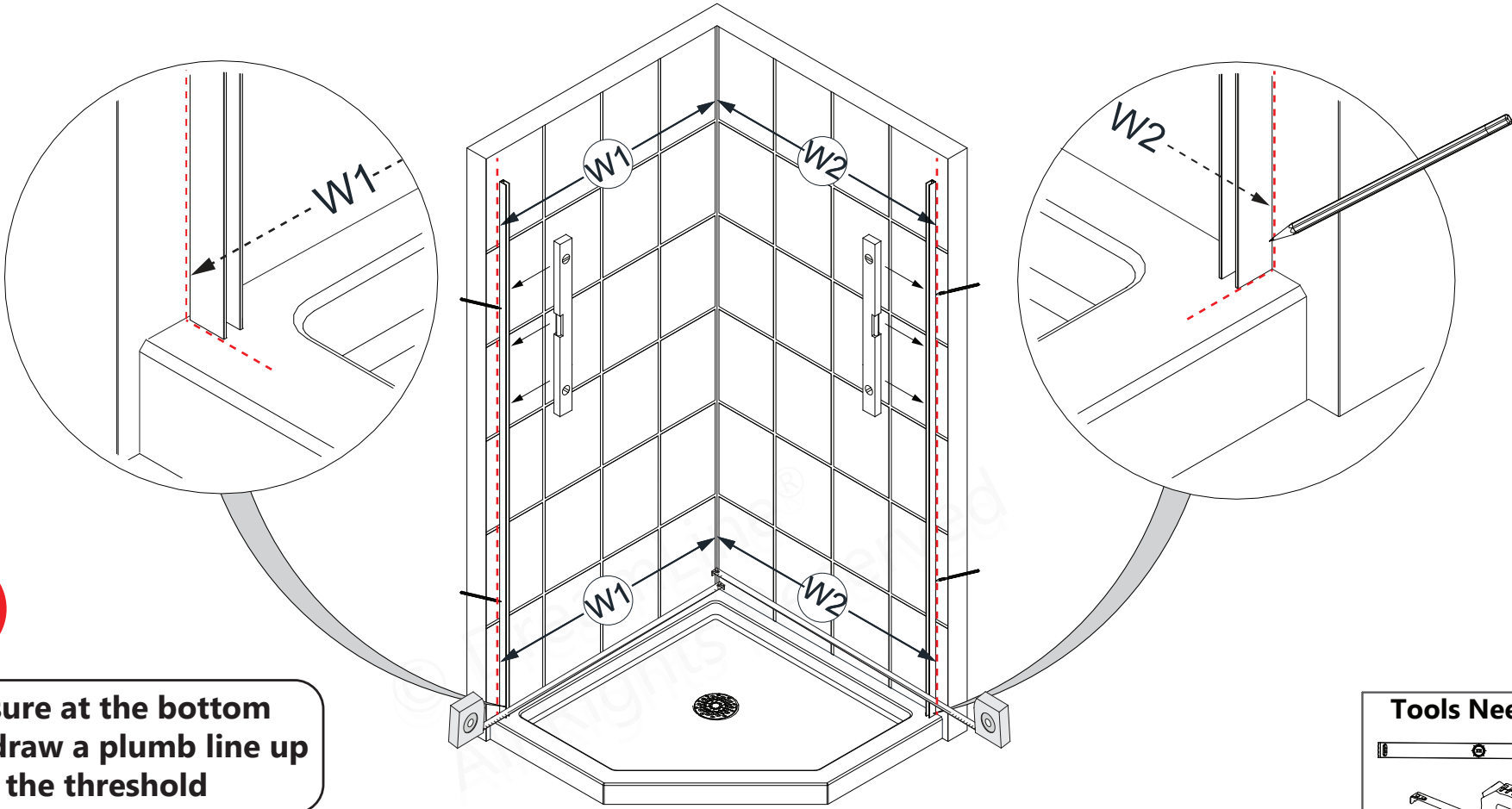
1

Table A

| Glass Box Code | W1 | W2 |
|---------------------|-----|-----|
| SHEN-GLP2601-343410 | 34" | 34" |
| SHEN-GLP2601-363610 | 36" | 36" |
| SHEN-GLP2601-383810 | 38" | 38" |
| SHEN-GLP2601-404010 | 40" | 40" |



NOTE: The Stainless Steel U-Channels (#11) must be installed at the correct dimensions for the model size indicated in Table A.



NOTE

Measure at the bottom and draw a plumb line up from the threshold

Fig 1

Tools Needed

2

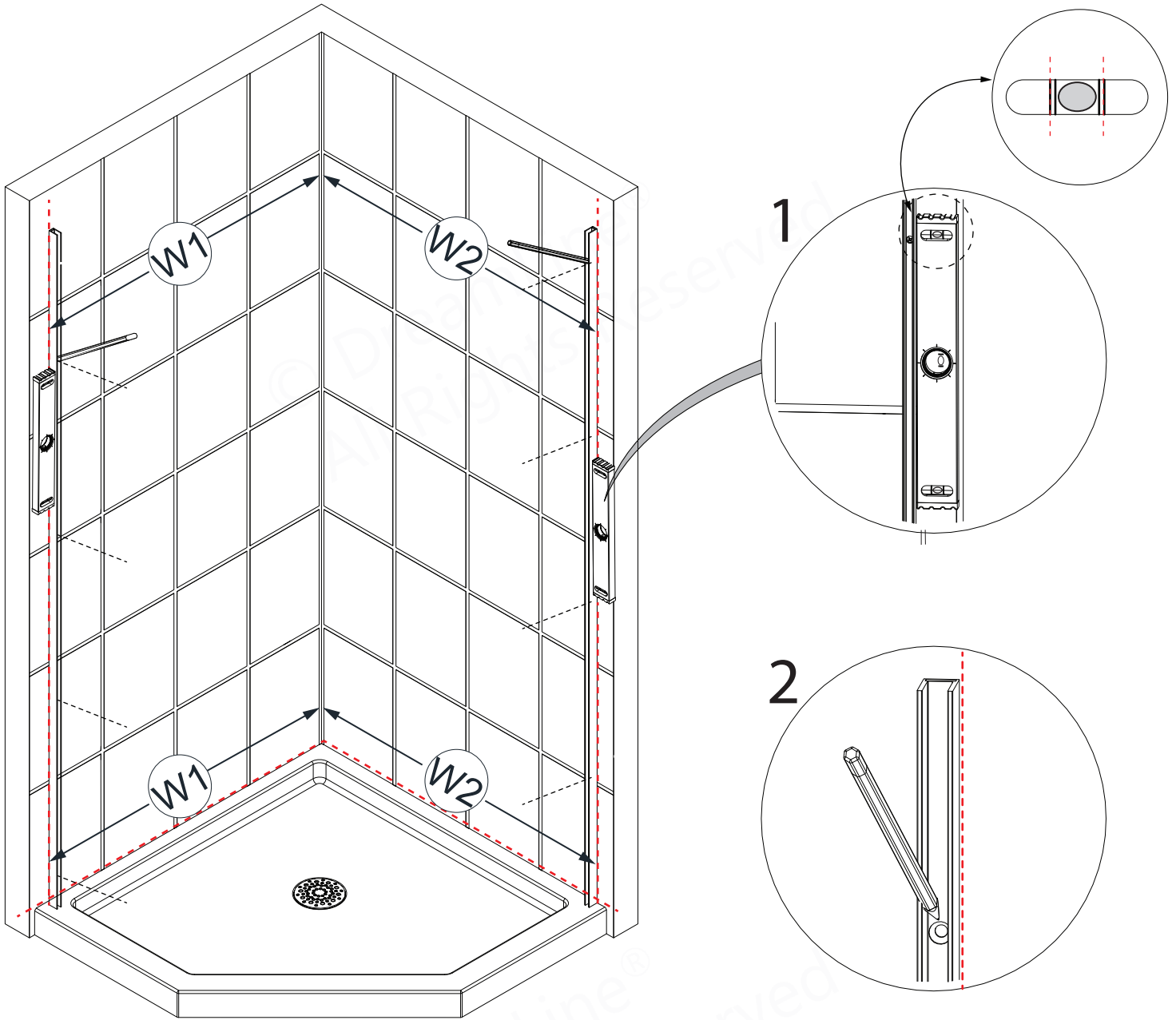
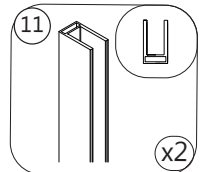
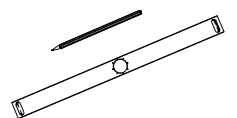


Fig 2

Parts Needed



Tools Needed



3

NOTE

Install the U-Channels (#11) (on both sides of the opening)

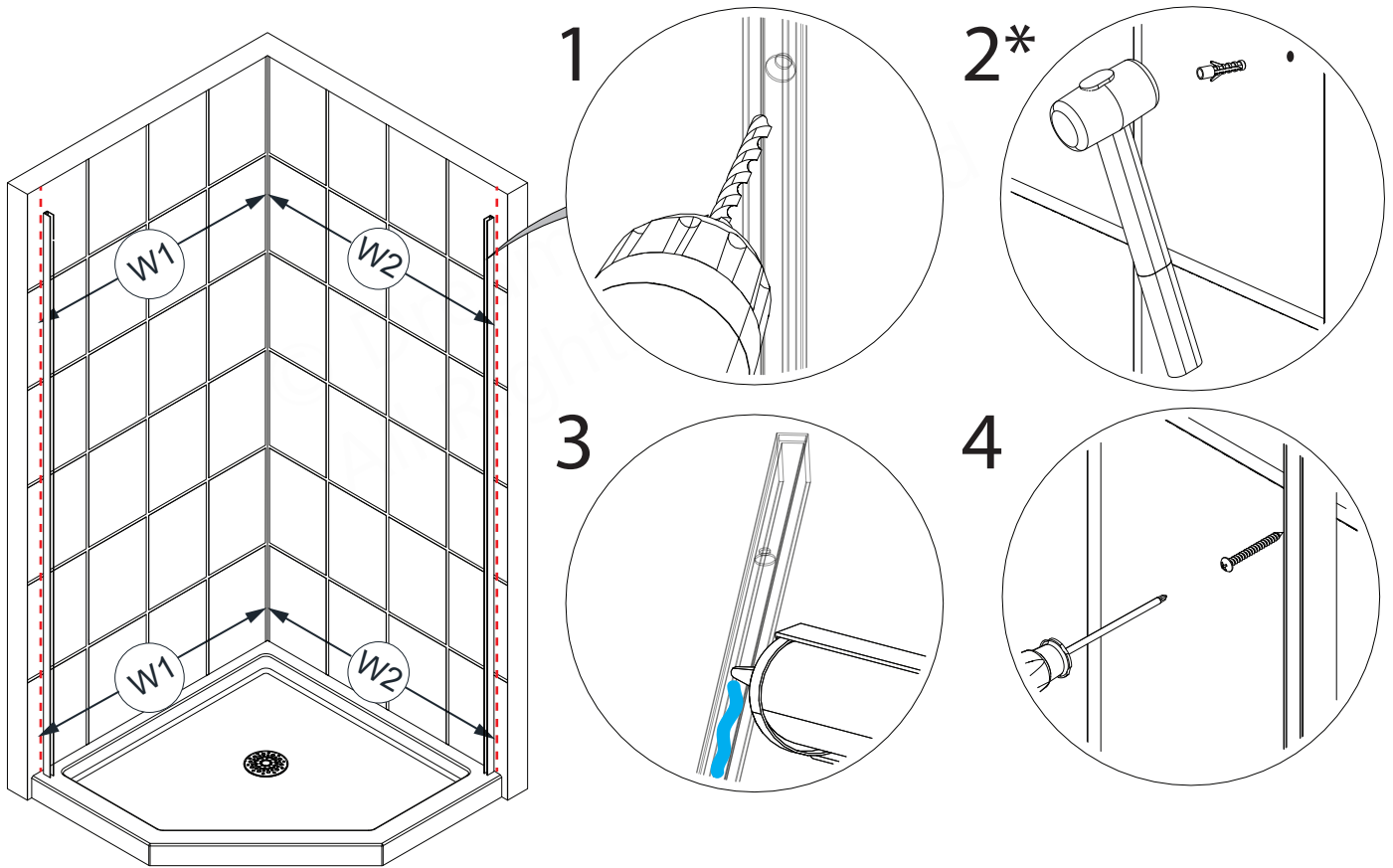
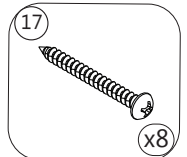
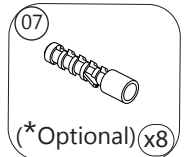
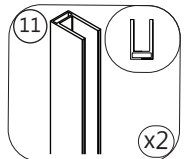
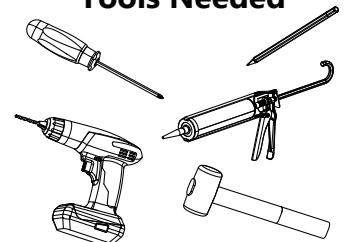


Fig 3

Parts Needed



Tools Needed



NOTE

* **If a Stud is present behind the wall:**

drill a $\text{Ø}3/16''$ (4mm) hole up to the stud, drill an $\text{Ø}1/8''$ (3mm) pilot hole into the stud and use the **ST4.2 x 40mm Pan Head Screws (#17)**

OR

If No Stud is present behind the wall:

drill a $\text{Ø}5/16''$ (7mm) hole and insert the **Wall Anchors (#13)** and use the **ST4.0 x 40mm Pan Head Screws (#17)**.

The **Pan Head Screws** pass through the outer holes in the U-Channels and secure the U-Channels to the walls.

TIP

Be sure each drilled hole is in the correct position and is the correct size for the screw or anchor. Always use low torque and steady pressure to avoid stripping the screw heads or snapping the heads off stainless steel screws.

4

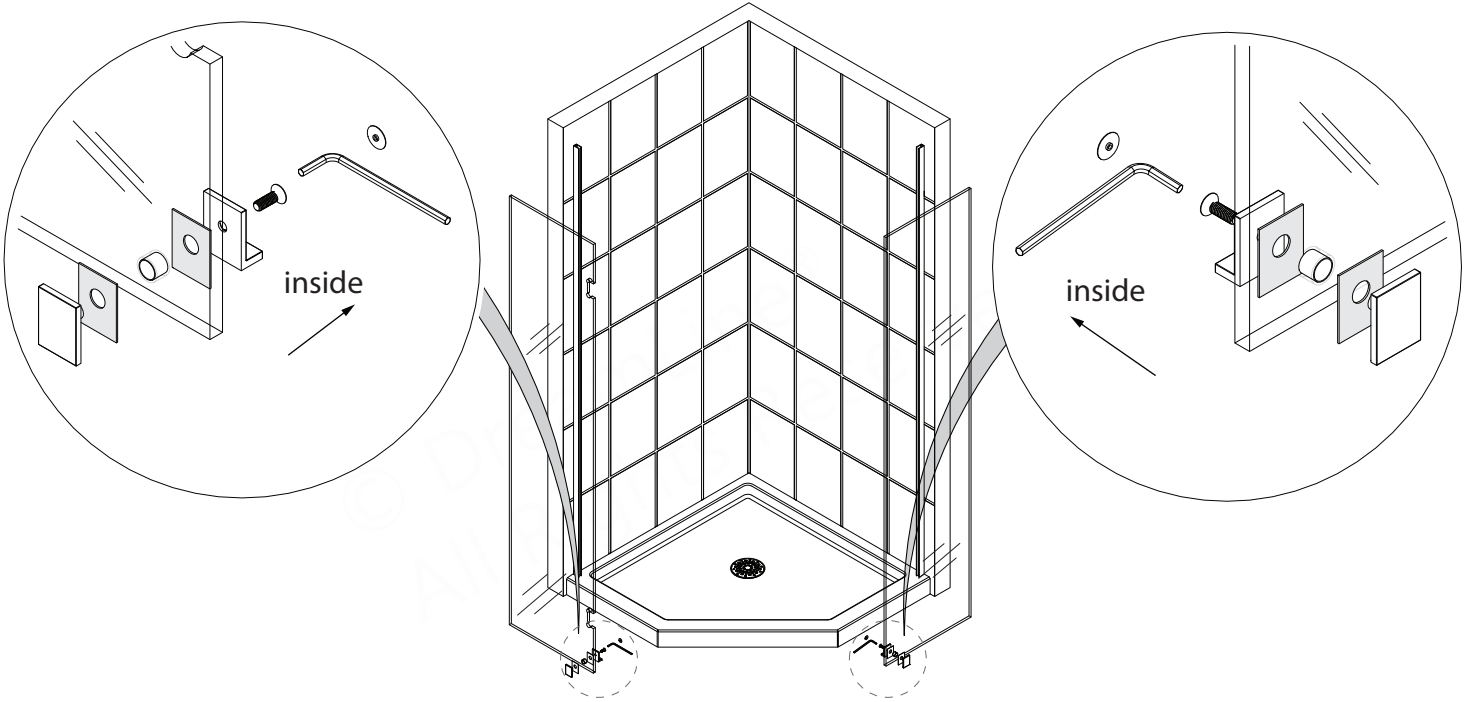


Fig 4

5

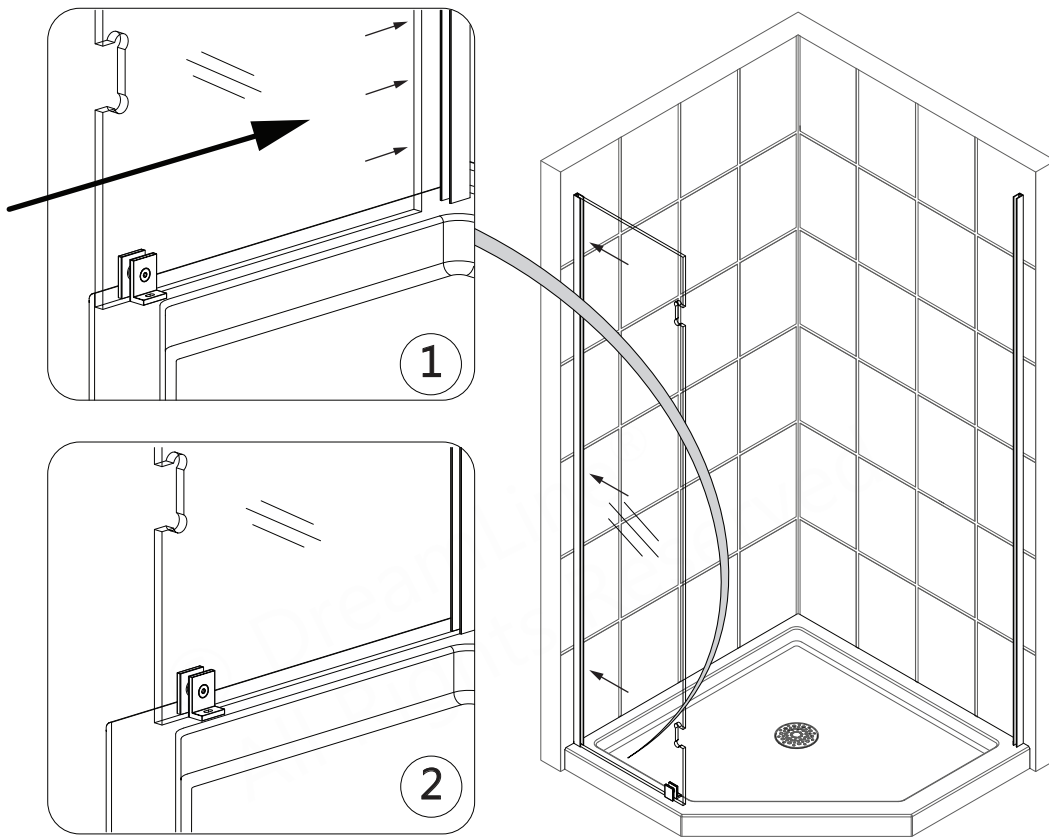

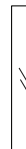
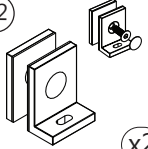


Fig 5

Parts Needed

- (01)  (x1)
- (03)  (x1)
- (12)  (x2)

Tools Needed



(Left-hand swing installation shown)

6

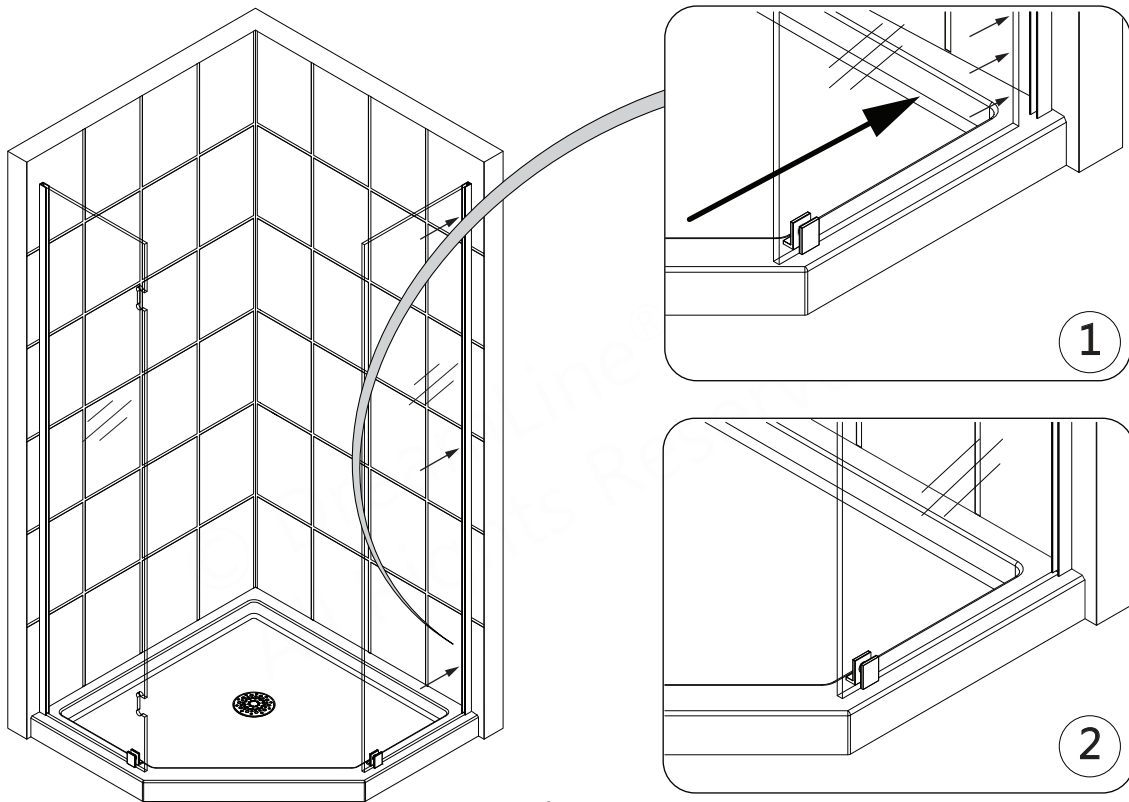



Fig 6a

 The distance between the edges of both stationary panels needs to be 23-15/16"

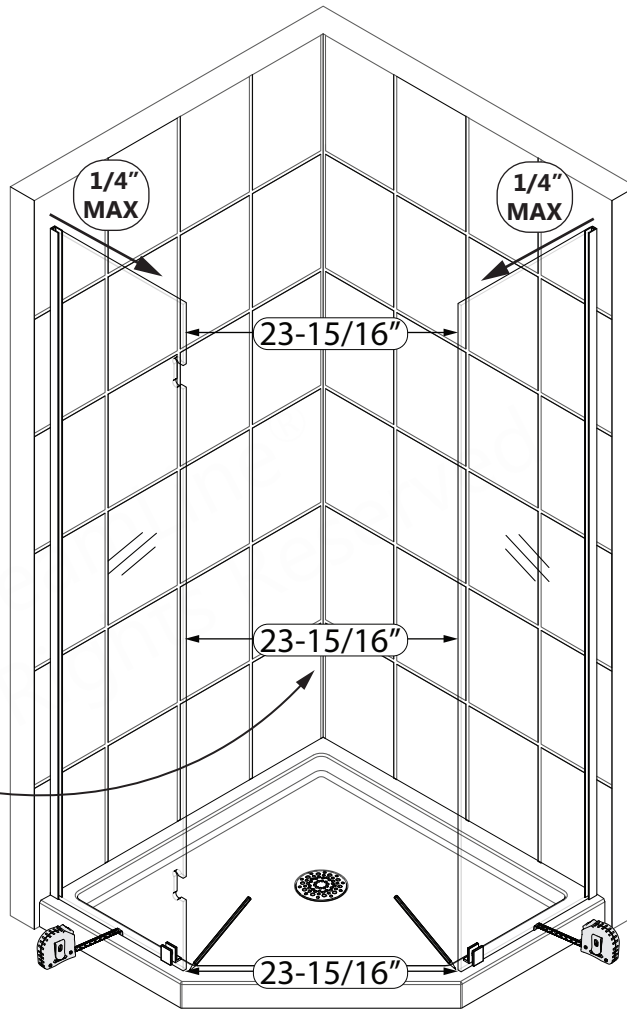
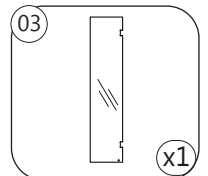
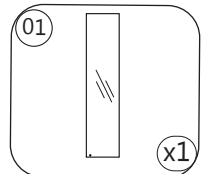
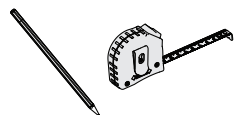


Fig 6b

Parts Needed



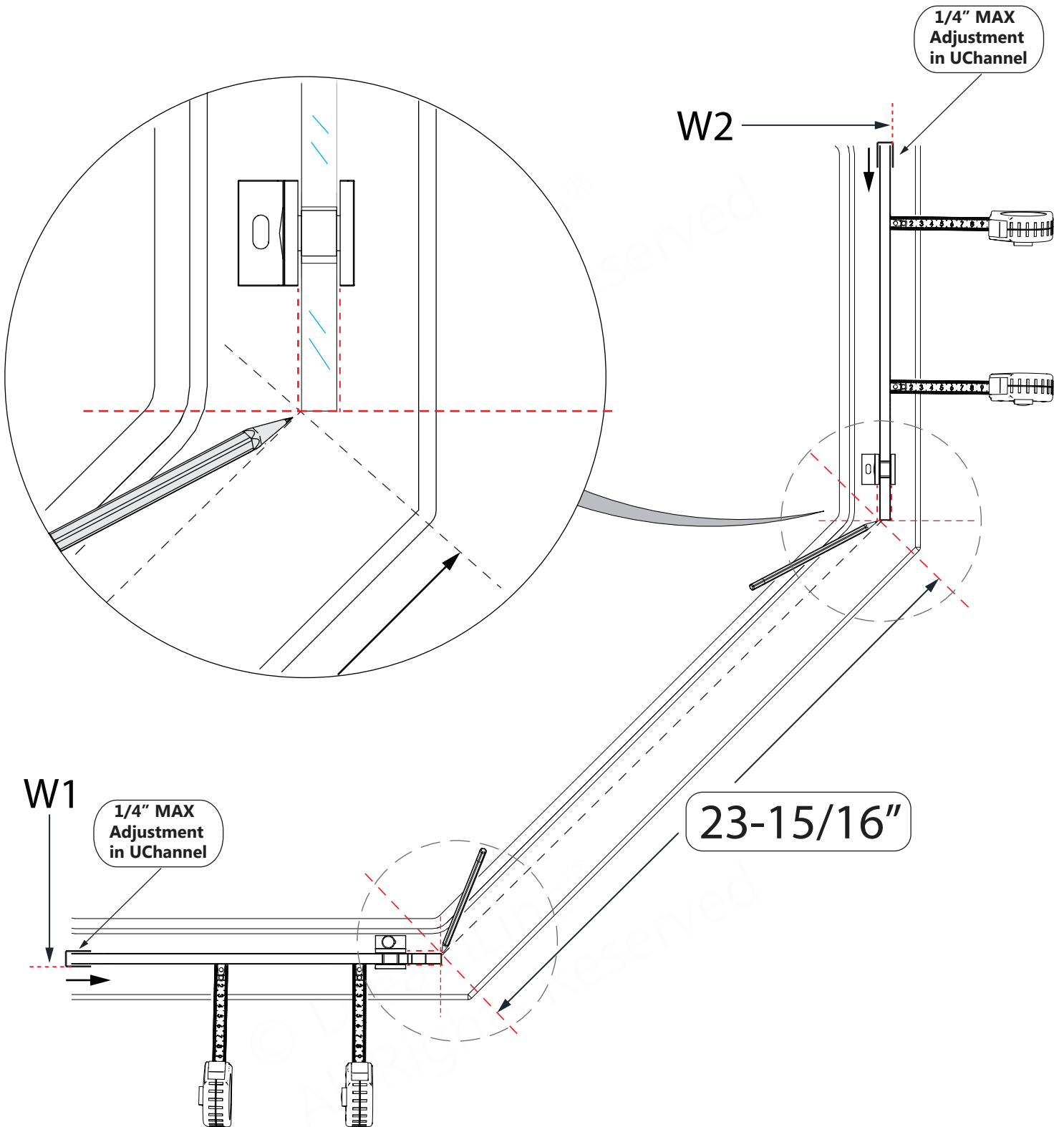
Tools Needed



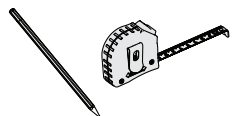
(Left-hand swing installation shown)

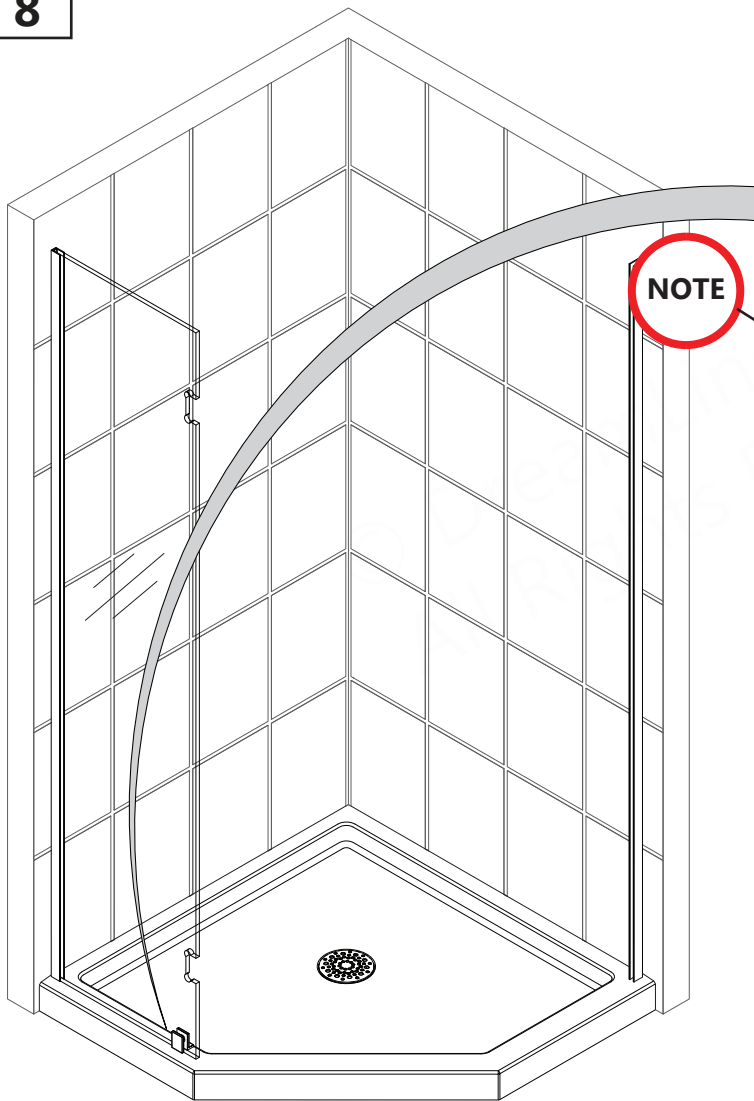
7

(Overhead View)



Tools Needed





NOTE Repeat these steps to install the panel glass on the opposite threshold

NOTE

For installation into an Acrylic threshold:

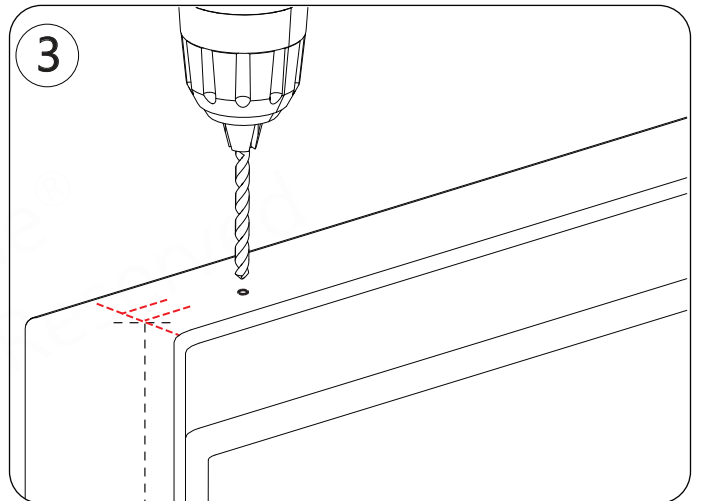
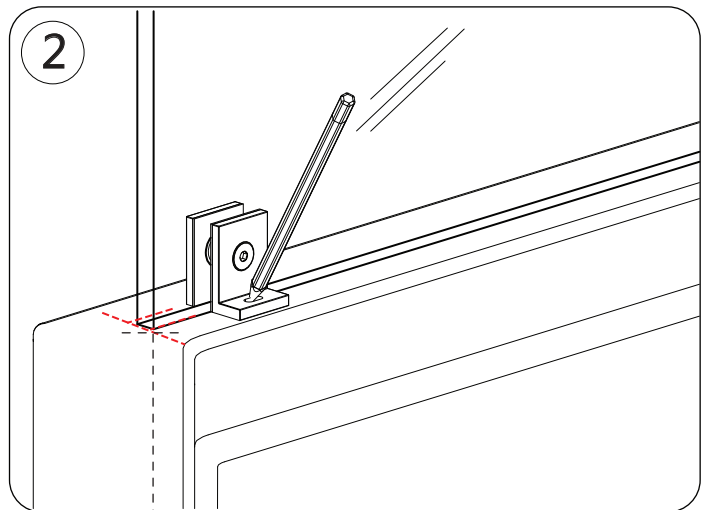
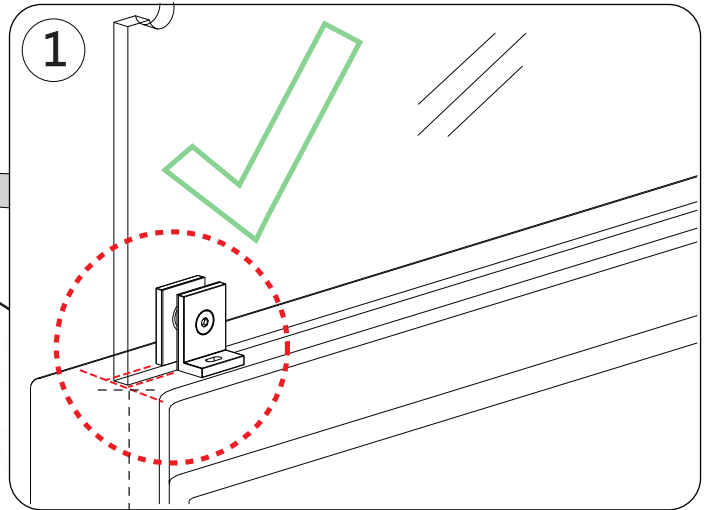
- Drill a $\text{Ø}1/8''$ (3mm) hole and use the **ST4.0 x 25mm Countersunk Screw (#08)**.

For installation into an Tile threshold

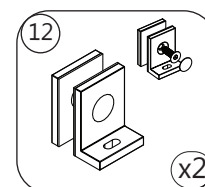
- Drill a $\text{Ø}3/16''$ (4mm) hole up to the stud, drill an $\text{Ø}1/8''$ (3mm) pilot hole into the stud and use the **ST4.0 x 25mm Countersunk Screw (#08)**.

For installation into a composite threshold:

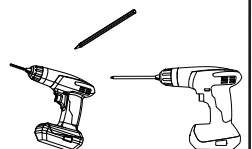
- Drill a $\text{Ø}5/16''$ (8mm) hole, install a **Wall Anchor** and the **ST4.0 x 25mm Countersunk Screw (#08)**.



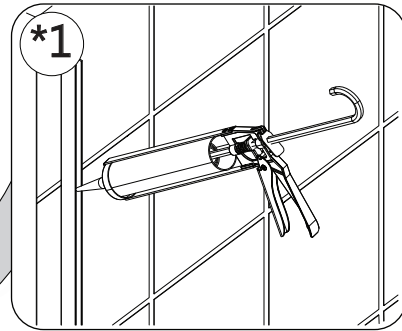
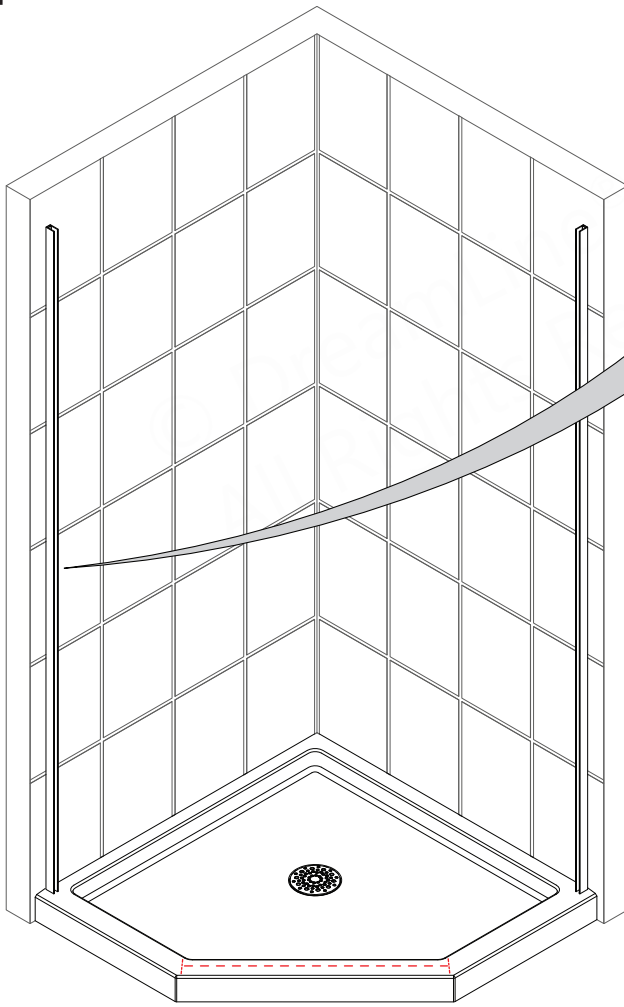
Parts Needed



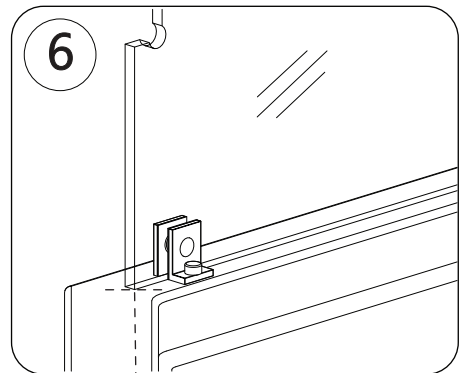
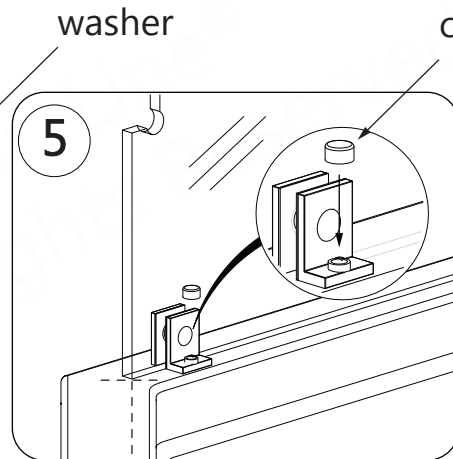
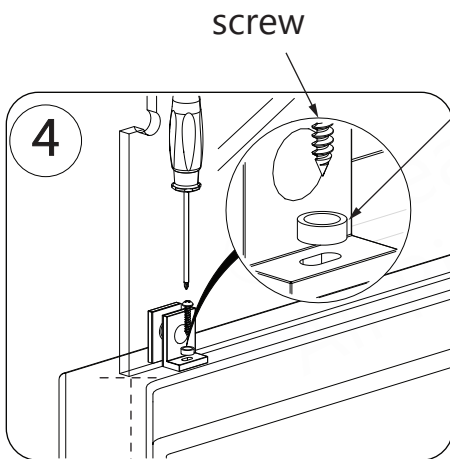
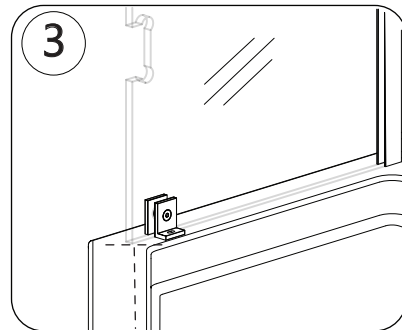
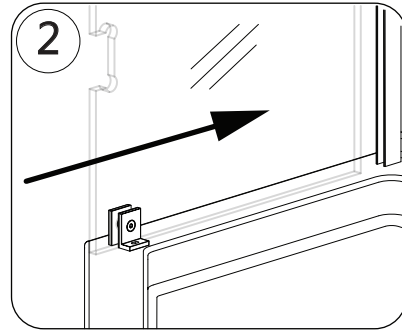
Tools Needed



9

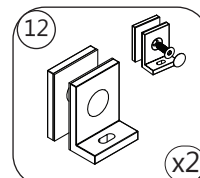
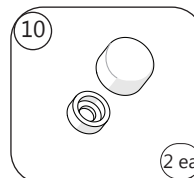
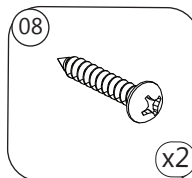


*Fast-drying 100% silicone recommended for the installation of hinge panels.

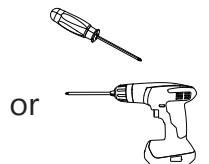


Repeat these steps to install the panel glass on the opposite threshold. Maintain the required 23-15/16" spacing.

Parts Needed

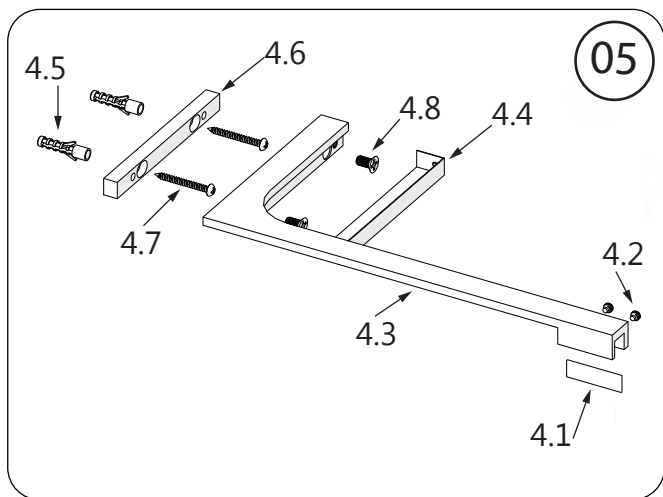


Tools Needed



10

L-Bar™ Installation



Left-handed L-Bar™ Support Bracket shown

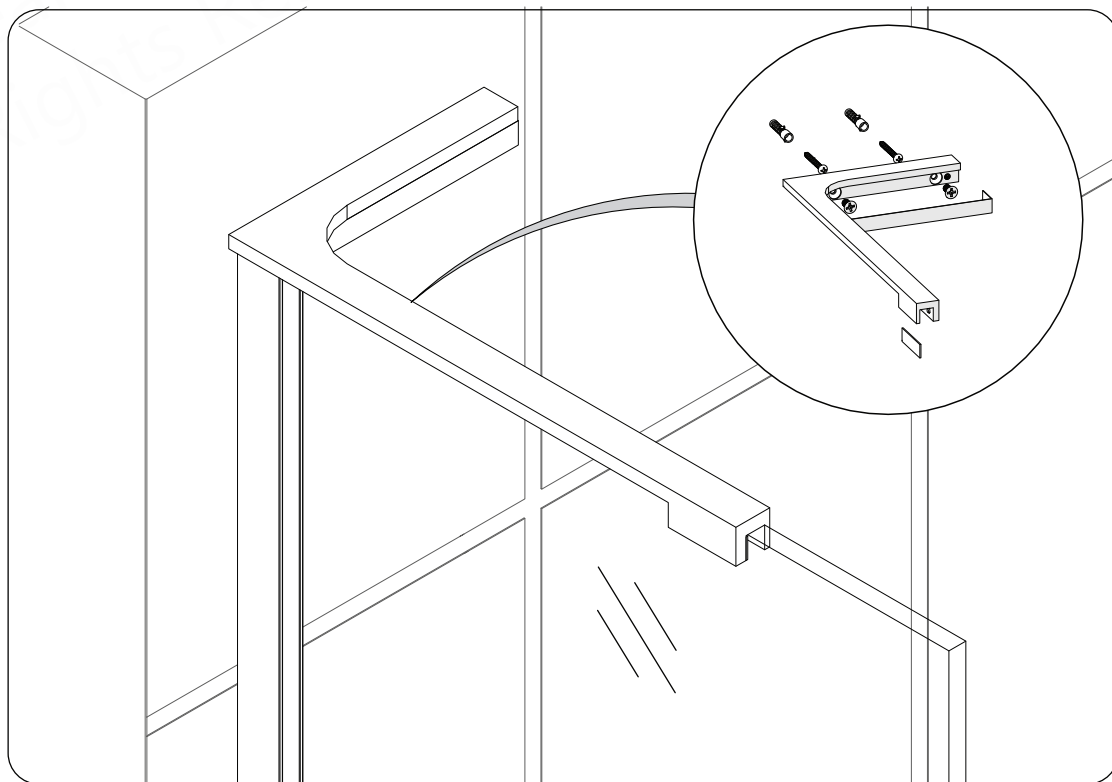
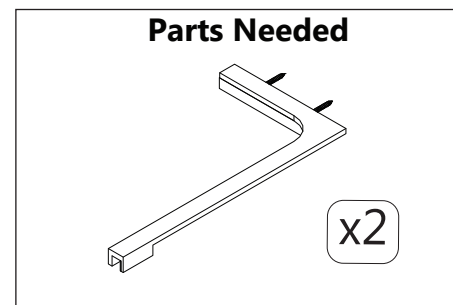


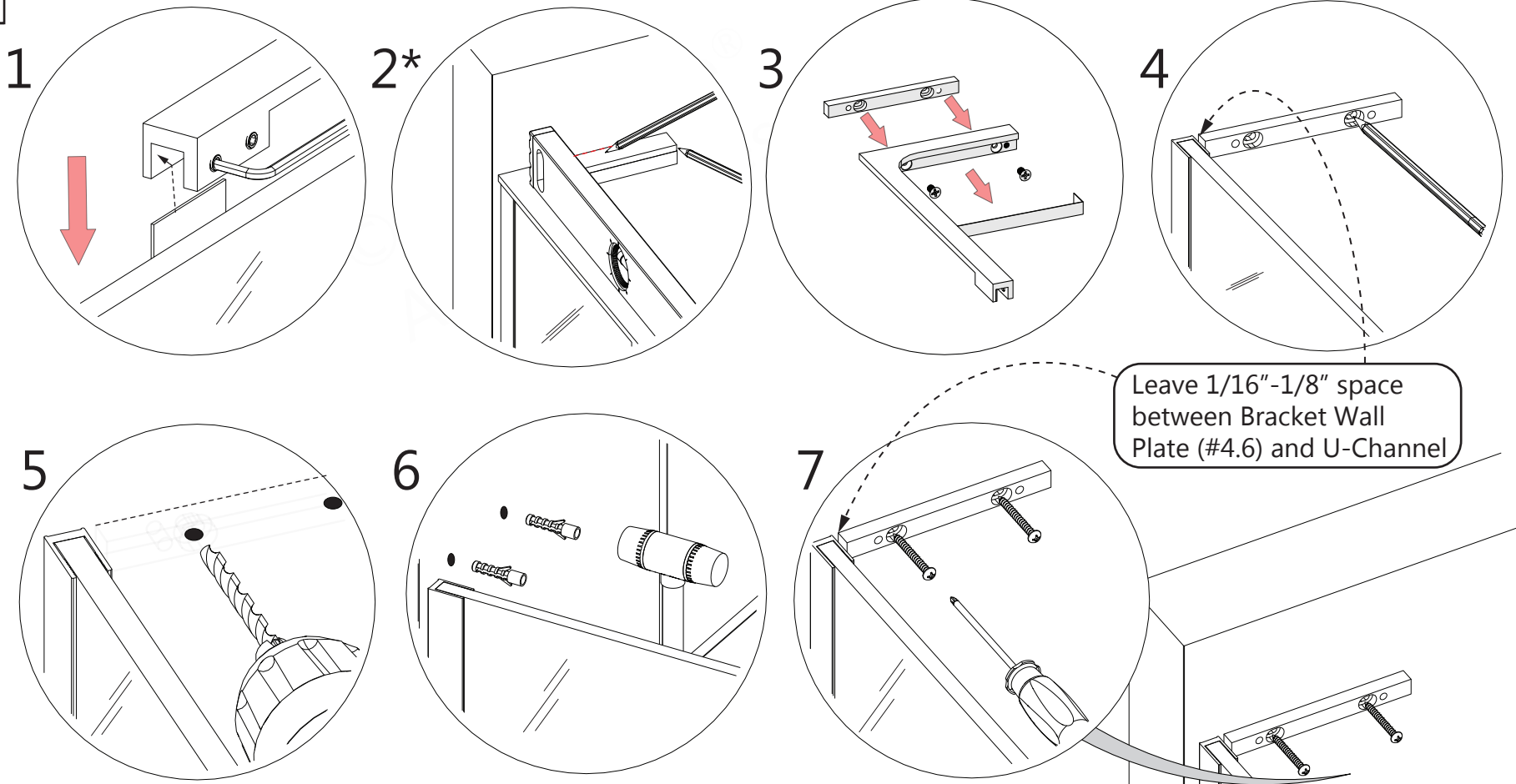
Fig 10

(Left-hand L-Bar™ Support Bracket shown)

| Item | Item Description | Quantity |
|------|---------------------------------|----------|
| 4.1 | PVC Spacer 0.5 mm | 2pcs |
| 4.2 | M5 Rubber-Tipped Set Screw | 2pcs |
| 4.3 | L-Bar™ Bracket | 1pc |
| 4.4 | L-Bar™ Bracket Decorative Cover | 1pc |
| 4.5 | Wall Anchor | 2pcs |
| 4.6 | L-Bar™ Bracket Wall Plate | 1pc |
| 4.7 | Truss Head Screw ST4.2×40 | 2pcs |
| 4.8 | M5×14.5 Screw | 2pcs |



11



Leave 1/16" - 1/8" space between Bracket Wall Plate (#4.6) and U-Channel

Fig 11

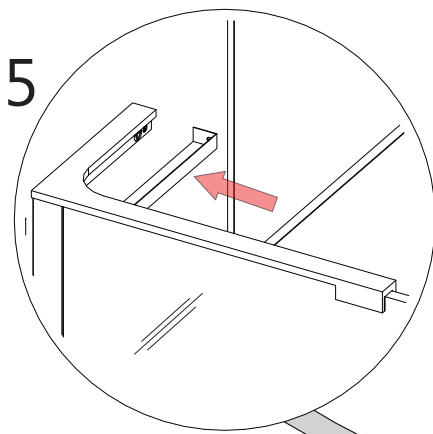
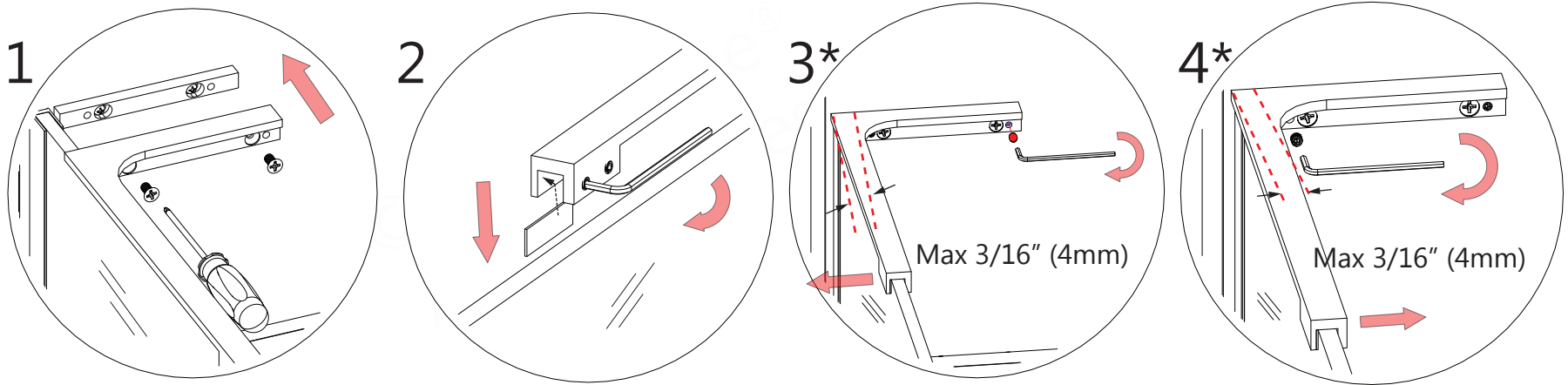
(Left-hand L-Bar™ Support Bracket shown)



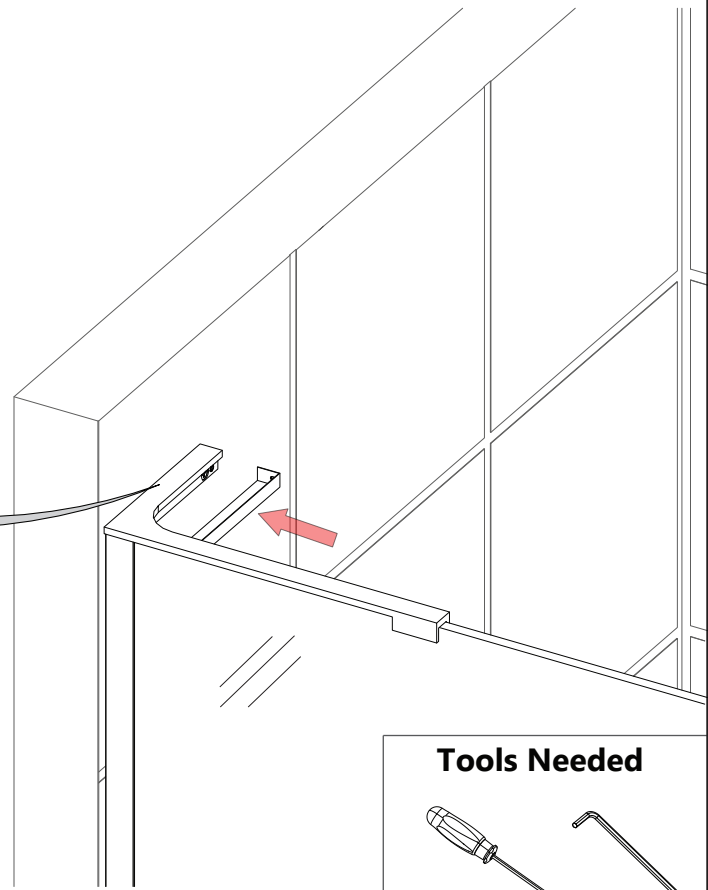
*Leave the L-Bar™ decorative cover attached when marking the L-Bar™ position on the wall to allow space (1/16" - 1/8") to re-attach the cover plate after installation.

Tools Needed

12



(Left-hand L-Bar™ Support Bracket shown)

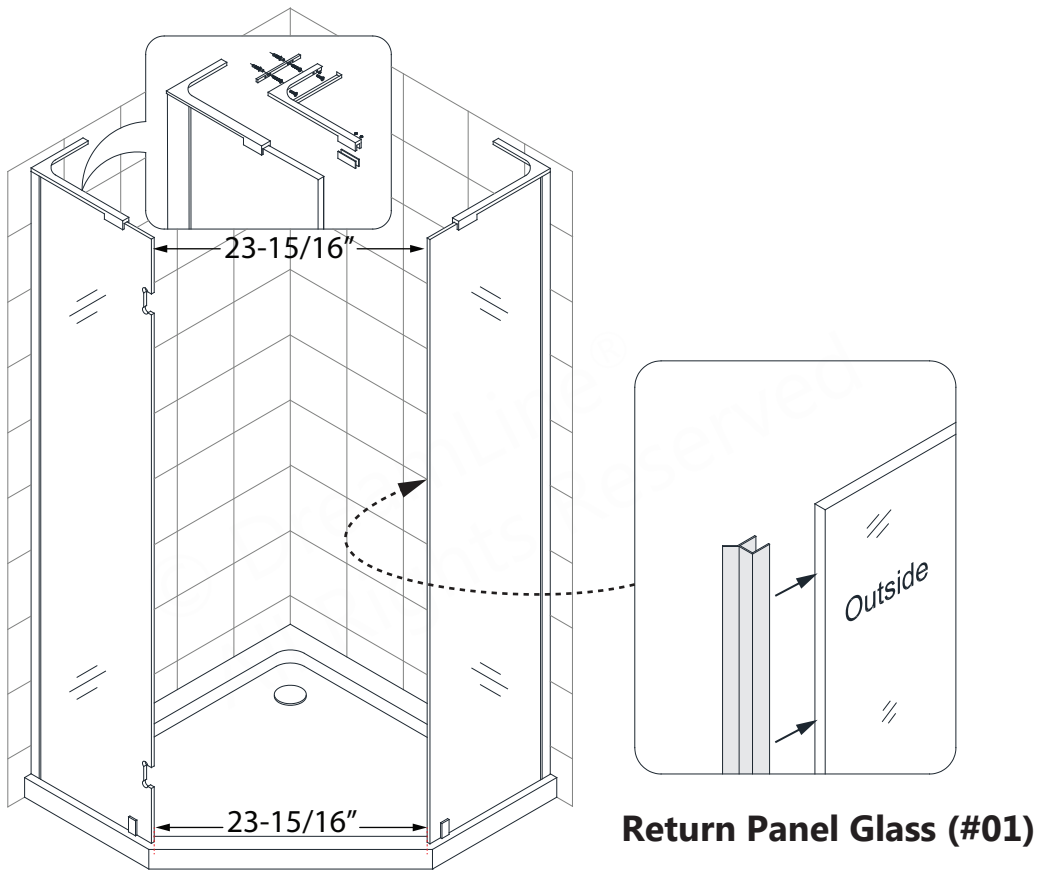


NOTE

* To adjust the angle of the **L-Bar™**: Loosen the **M5 x 14.5 screws**, rotate the appropriate set screw (**See Fig 12.3 and 12.4**) to adjust the angle of the **L-Bar™** (up to 3/16" (4mm)) in the desired direction. Hand tighten the **M5 x 14.5 screws** after adjustment is complete and replace the decorative cover.

Tools Needed

13



Return Panel Glass (#01)

Fig 13

(Left-hand swing installation shown)



Before installing the **Door glass (#02)**, attach the **135° Strike Vinyl (#14)** to the edge of the **Return Panel Glass (#01)** to protect the edge of the glass during installation of the **Door Glass (#02)**.

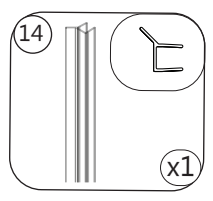


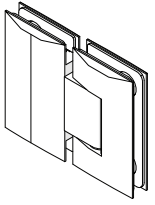
Allow the silicone in the U-Channel holding the **Hinge Panel Glass (#03)** to set before hanging the door glass. Once the door is hung, leave the shims in place under the door glass while the silicone cures, especially if there is an out-of-plumb wall condition.



DO NOT install the **Door Handle (#06)** onto the glass until instructed. **DO NOT** lift the glass using the Handle. This could result in damage to the glass and /or serious personal injury. Always use an assistant and a professional-grade glass suction cup when handling heavy glass.

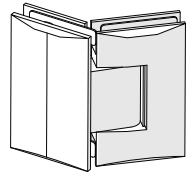
Parts Needed





Glass to Glass Hinges

Hinge Installation Procedure (180° and 135° Hinges)



Follow these installation instructions after the installation of the Stationary Hinge Panel Glass. **The Hinge Panel Glass must be sturdy and secure before installing the hinges and Door Glass.**

14



Remove the hinge screws, face plates and gaskets from both hinges. Set the **thinner (1mm) gaskets** aside for the next step. Use the **thicker, 2mm gaskets** to install the hinges. **Fig 14**

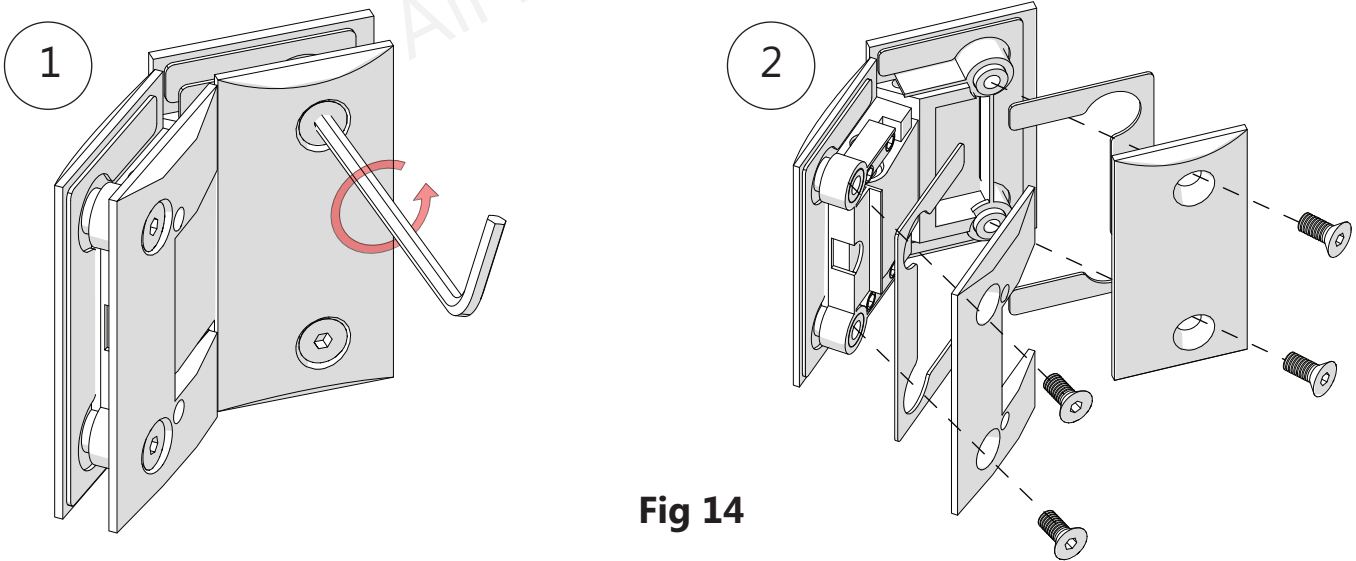
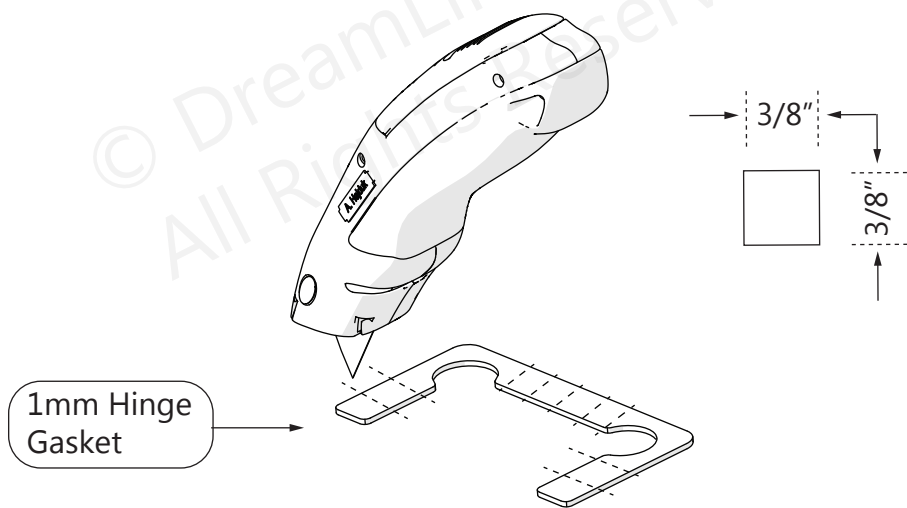


Fig 14

15



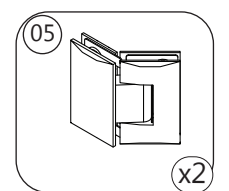
Use a razor knife to cut about a dozen 3/8" x 3/8" pieces from the **thinner, 1mm (spare) Hinge Gaskets**. The thicker, **2mm Gaskets** are used in the hinge installation. **Fig 15**



1mm Hinge Gasket

Fig 15

Parts Needed



Tools Needed



NOTE

Attach the **Glass-to-Glass Hinges** to the **Stationary Panel Glass** with the bolt openings facing the inside of the shower. Be sure the inside edge of the hinges are flush with the edge of the glass. **Fig 16**

NOTE

Install the vinyl spacers cut earlier from the spare gaskets between the **Hinge** and the **Door Glass** in the marked locations. Layer them if needed to fill the gaps. This will prevent contact between the hinge and the glass and help keep the door level. Apply thread lock to the hinge screws and install the rectangular hinge plates using a screw gun and a 4mm hex driver bit. **Fig 16a**

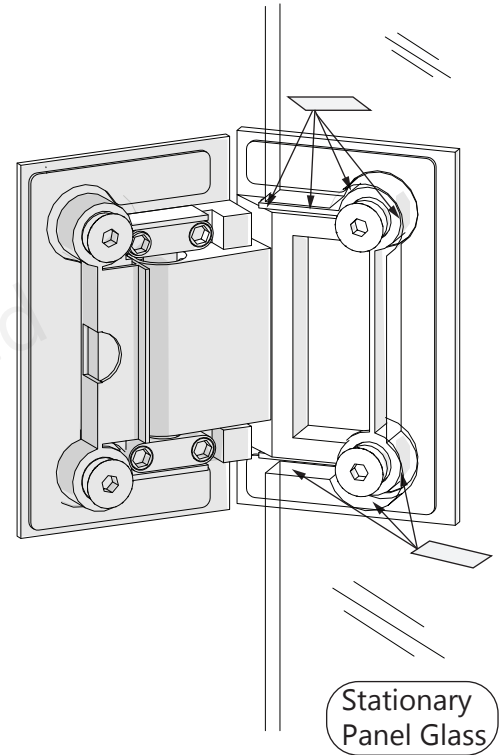


Fig 16

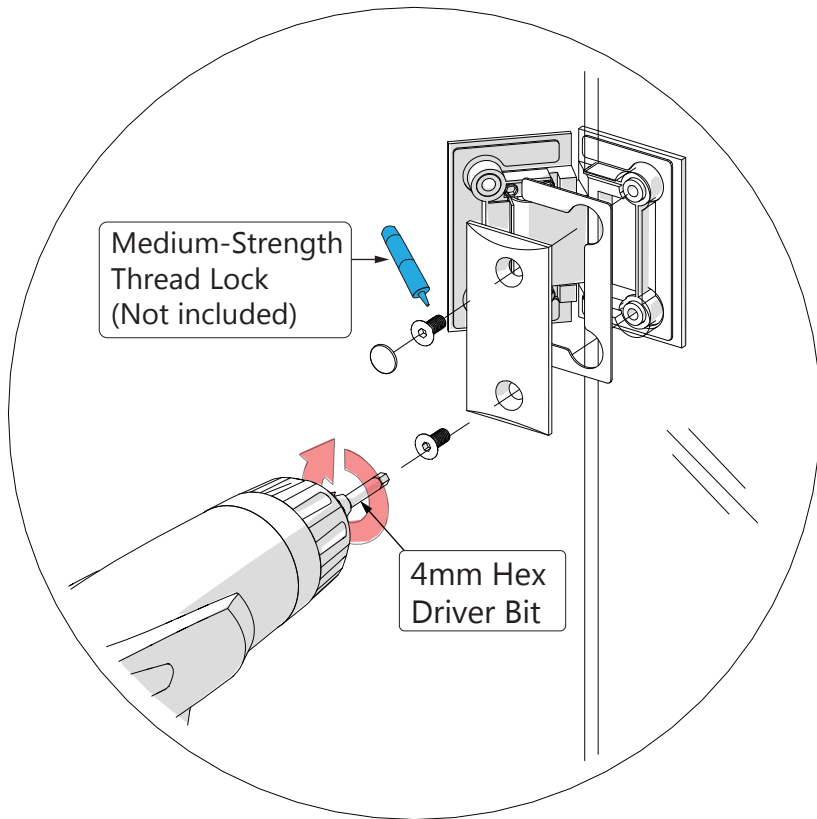
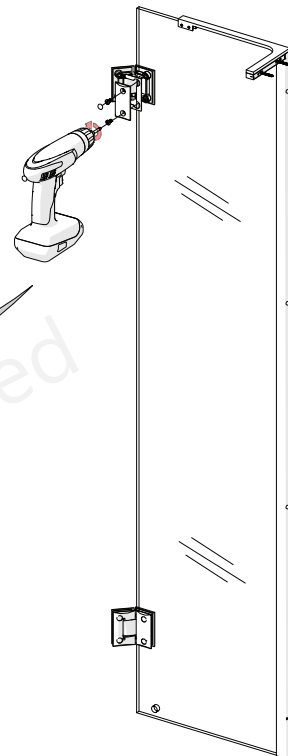
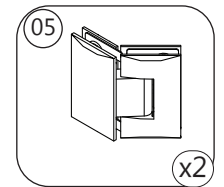


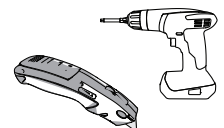
Fig 16a



Parts Needed



Tools Needed

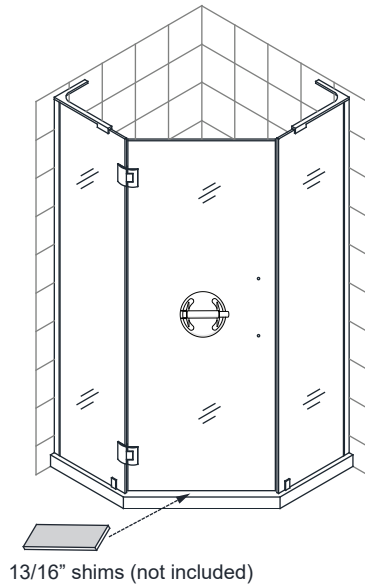


Tighten the Hinge screws as firmly as possible with a screw gun.

Hanging the Door Glass

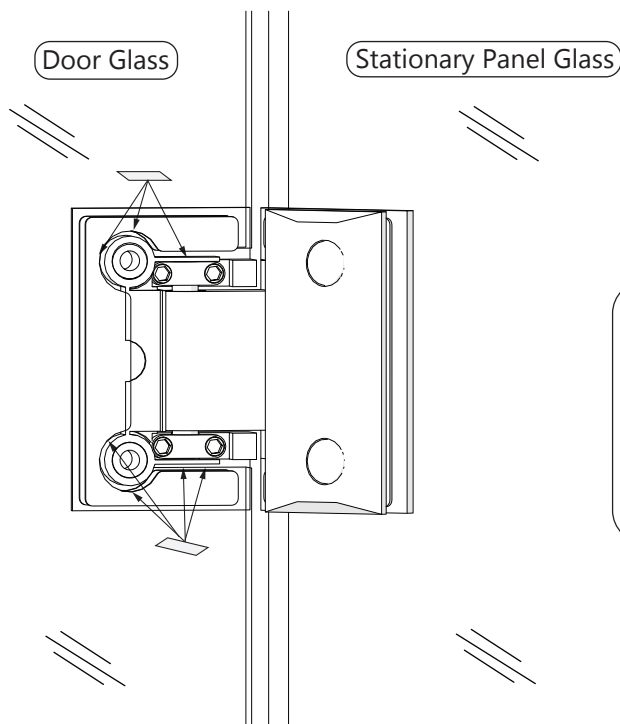
NOTE

Use a glass suction cup and a helper to hang the **Door Glass (#02)**. Install the vinyl spacers cut earlier from the **thinner/spare 1mm gaskets** between the hinge and the **Door Glass** in the indicated locations. Layer them if needed to fill all the gaps. This will prevent contact between the hinge and the glass and help to keep the **Door Glass** level. **Fig 18**



NOTE

Use **13/16" shims (not included)** beneath the door glass to help align the door glass with the hinge openings and the tops of the **Panel Glass**.

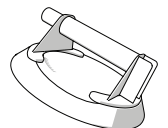


NOTE

Be sure to use the thicker, **2mm gaskets** on both sides of the glass, between the **Hinge body** and the **Door Glass**.

Fig 18

Tools Needed



TIP

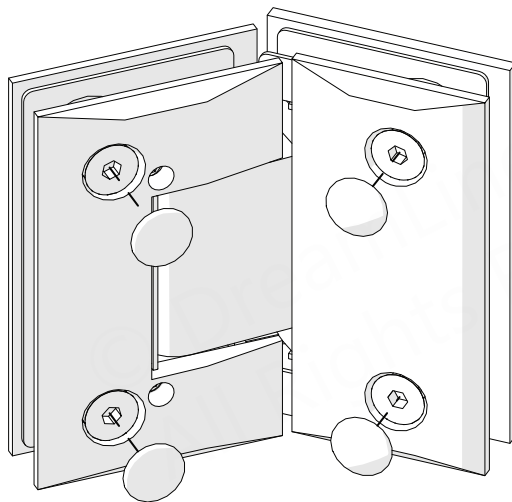
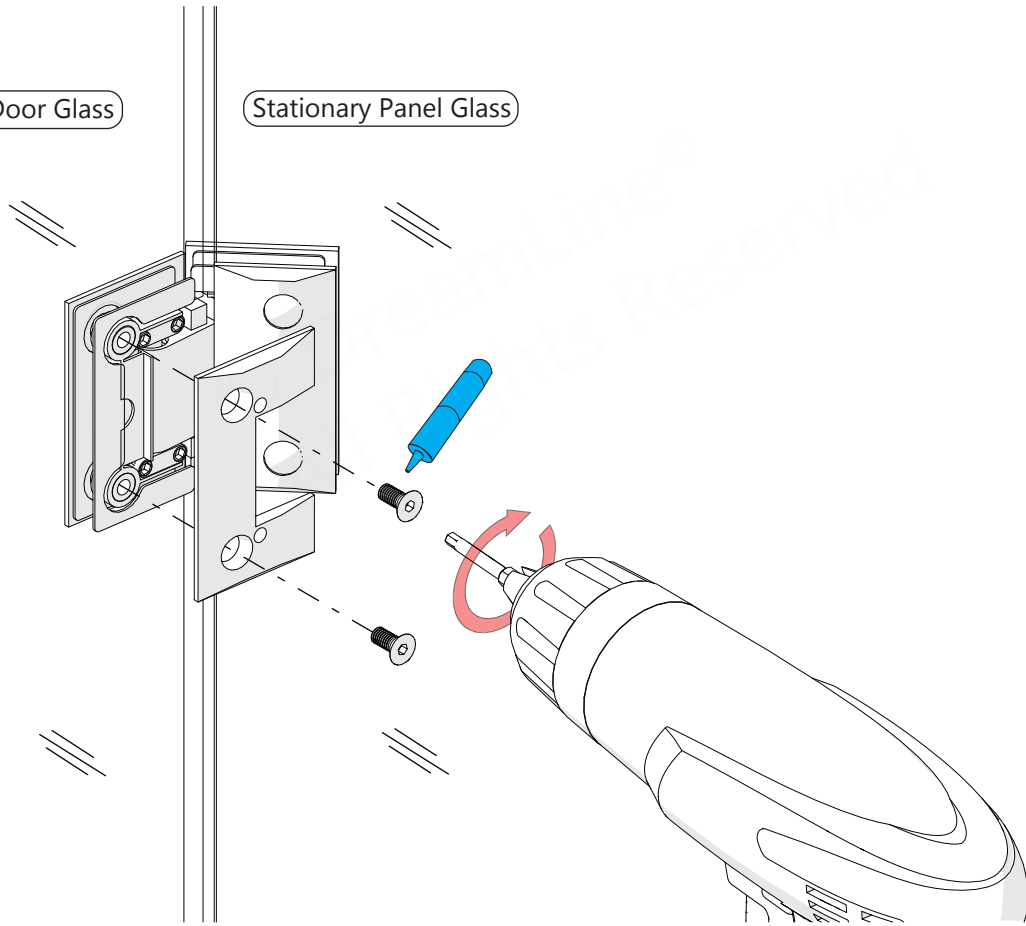
A bit of stickum between the gaskets and the hinge body will keep the gaskets from shifting during installation.



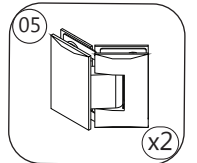
Tighten the Hinge screws as firmly as possible with a screw gun.

Door Glass

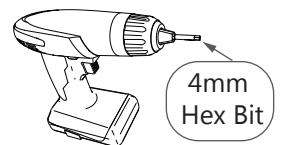
Stationary Panel Glass



Parts Needed



Tools Needed



Install the **Caps** on all **Hinge** screws.

19

NOTE

These adjustable hinges are factory set to overclose for a tight seal and do not need adjustment. However, if an adjustment is required, see **Page 30** for instructions regarding the adjustment features of these hinges.

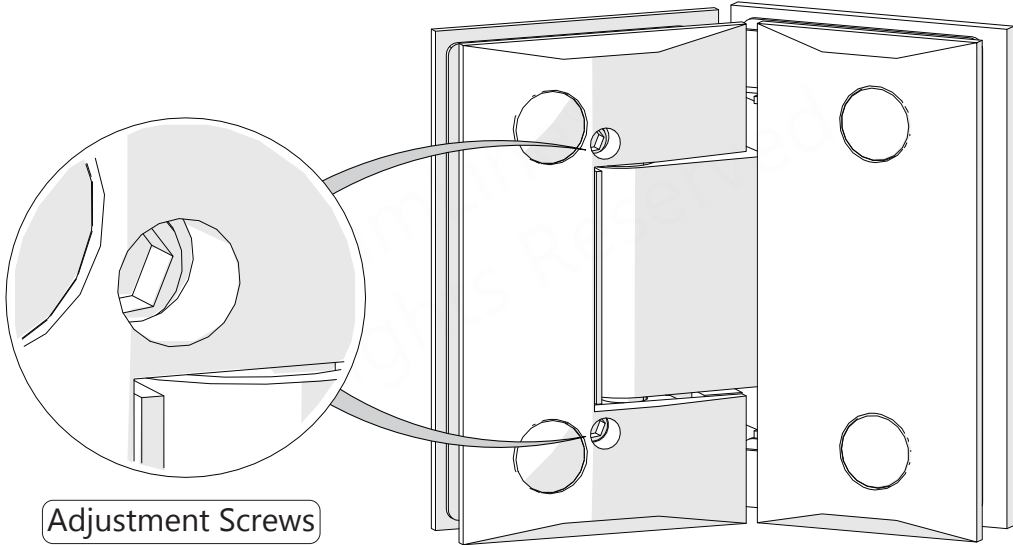


Fig 14b

20

Install the **Door Handle (#06) Fig 15**

NOTE

The larger knob on the door handle goes on top.

outside
↙

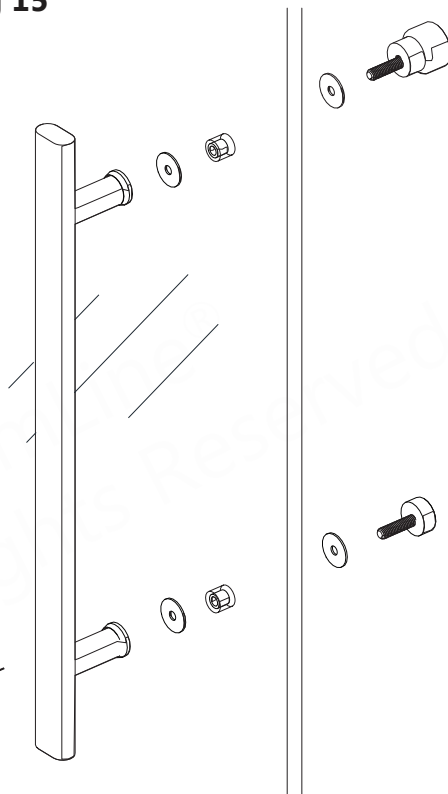
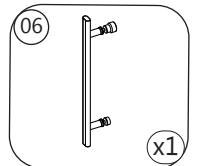


Fig 15

Parts Needed



21

Vinyl Seal Installation

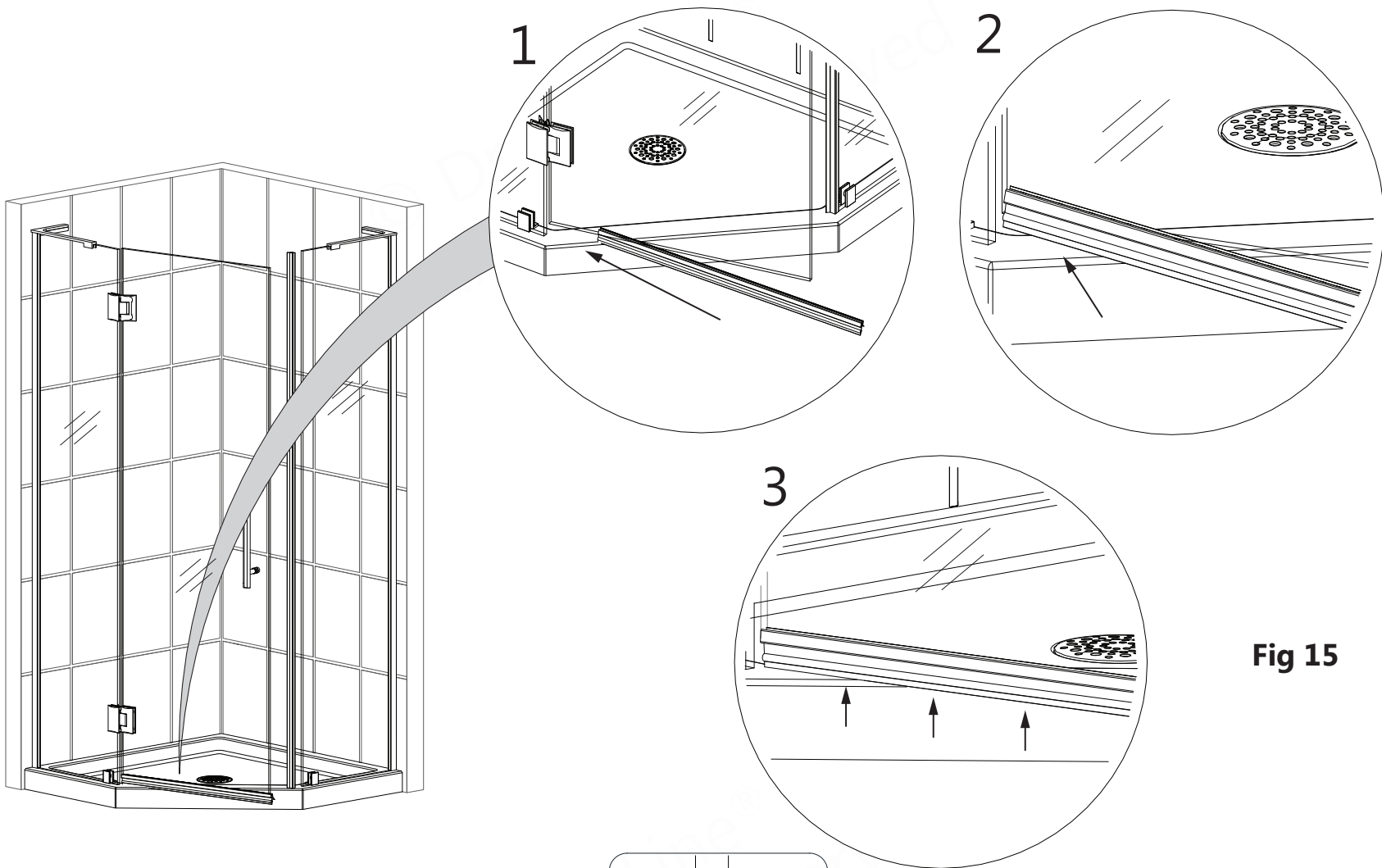
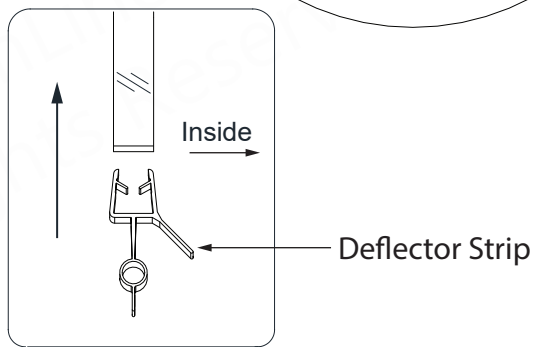


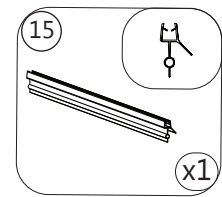
Fig 15



The deflector strip on the Sweep Vinyl must be installed toward the inside of the shower



Parts Needed



Vinyl Seal Installation (Cont'd.) (Notching the Sweep Vinyl)

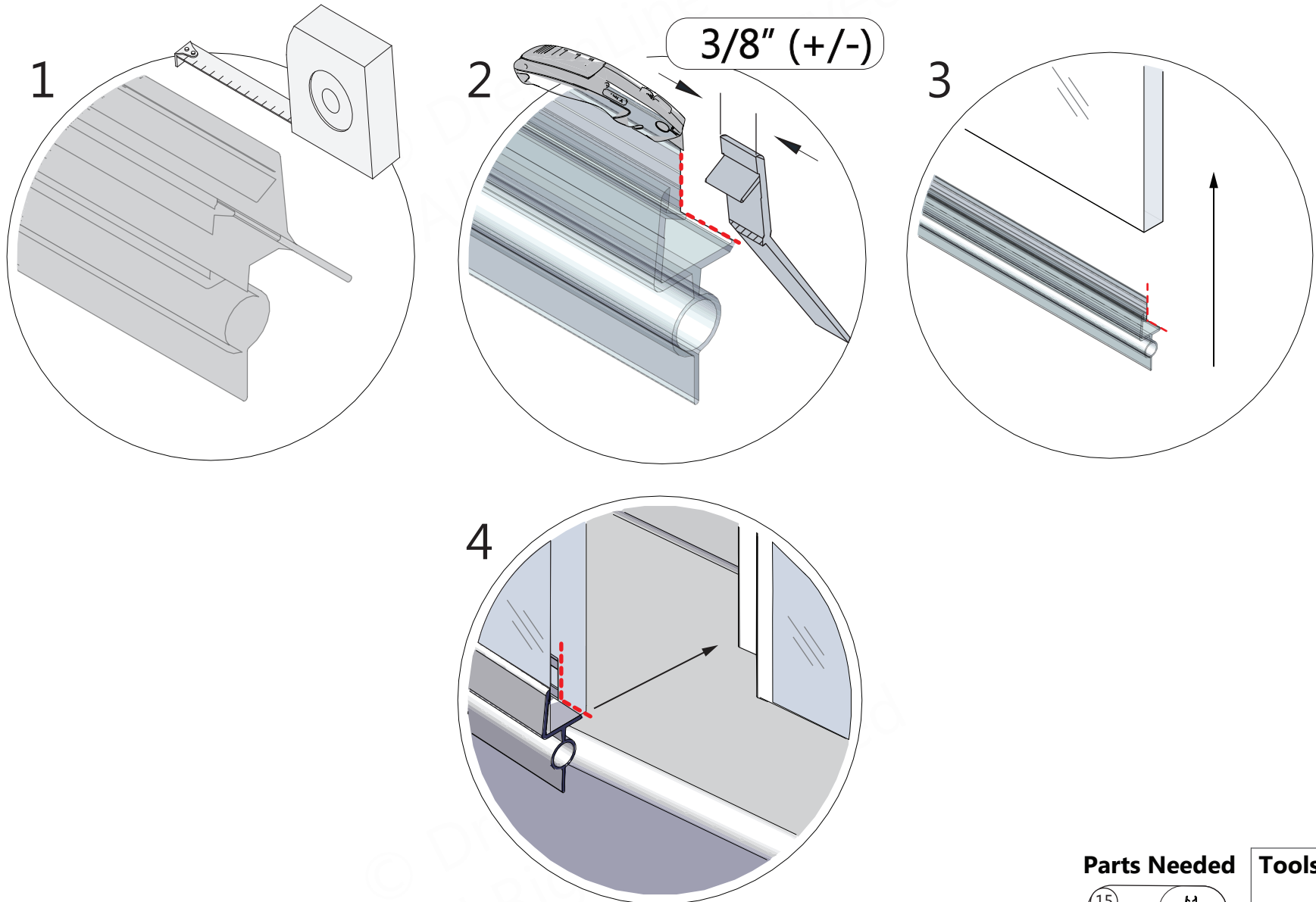



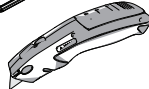


Fig 18

| Parts Needed | Tools Needed |
|---|---|
|   |   |

23

Vinyl Seal Installation (Cont'd.) (Notching the Hinge-Side Vinyl)

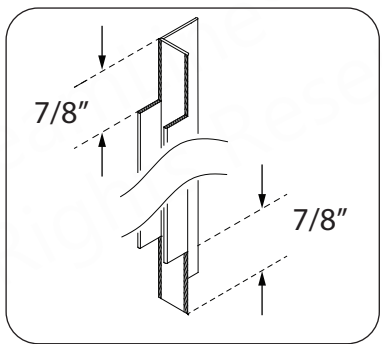
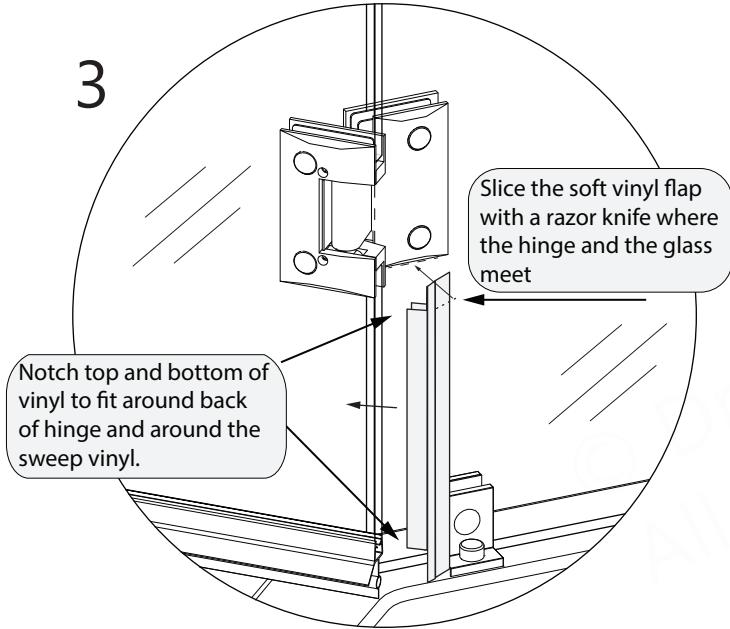
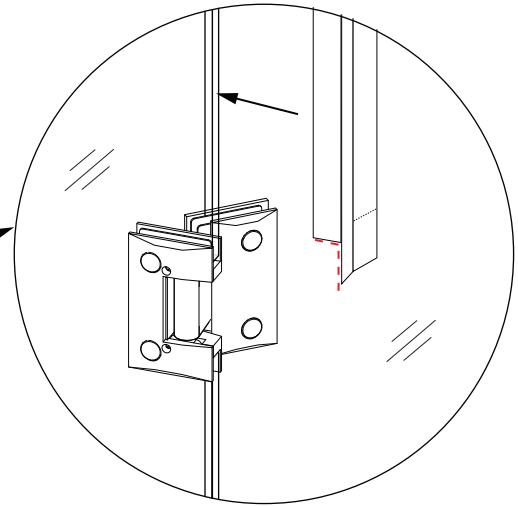
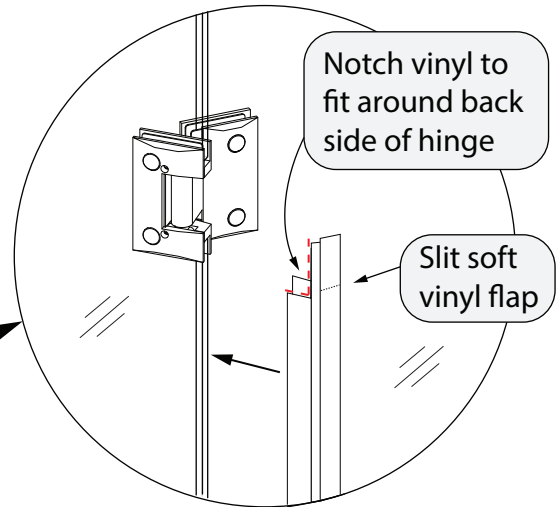
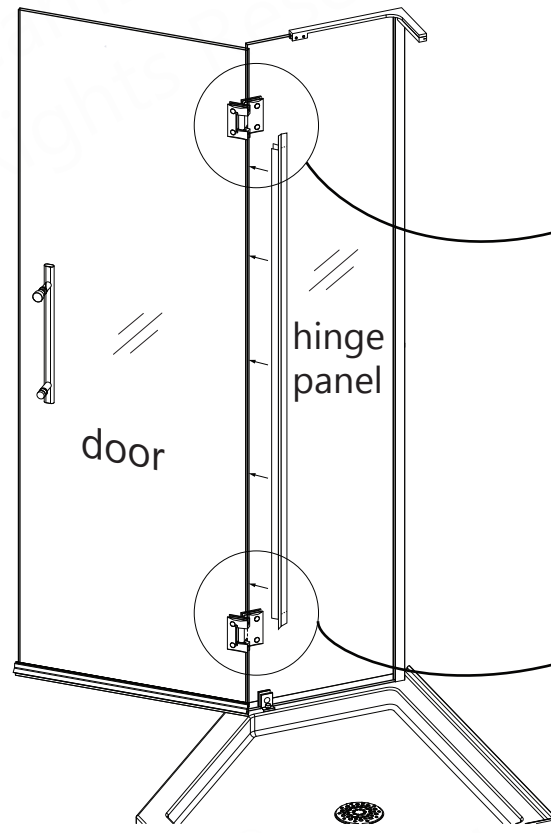
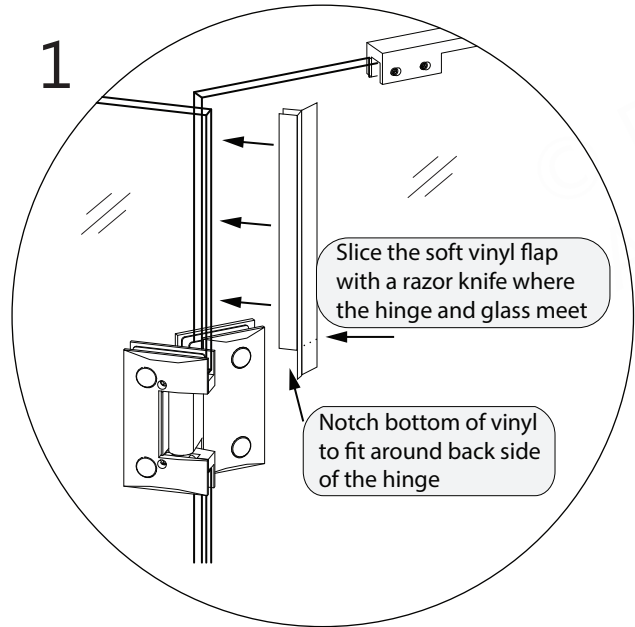
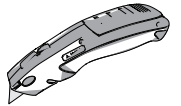


Fig 19

NOTE

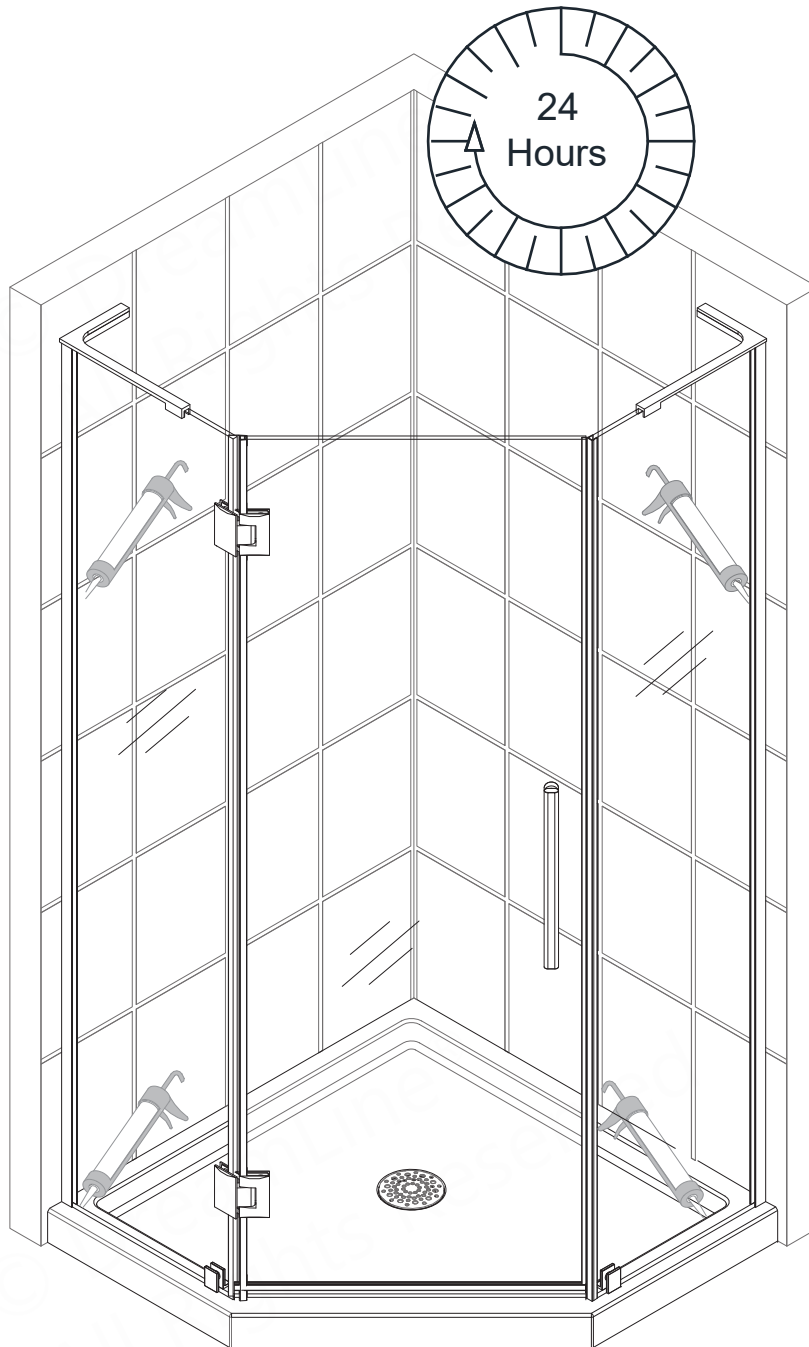
Notches in the vinyl should be approximately 7/8"

Tools Needed

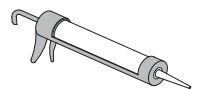


NOTE

Surfaces need to be clean and free of debris before applying silicone. Apply to the entire interior perimeter of the panel glass.



Allow 24 hours for the silicone to cure before using shower.

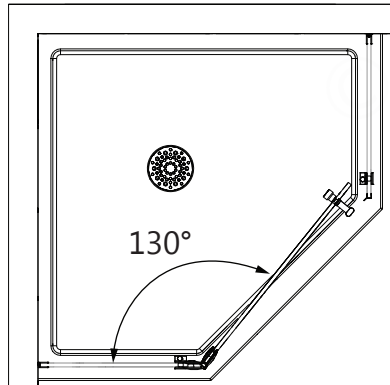
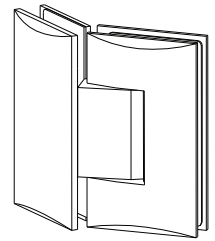
Tools Needed

130° Adjustable Hinge Information

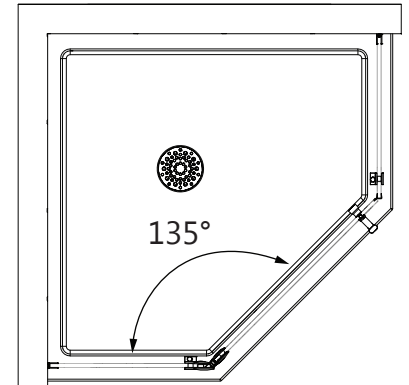
HG-PRS30A 130° Adjustable Hinge

NOTE

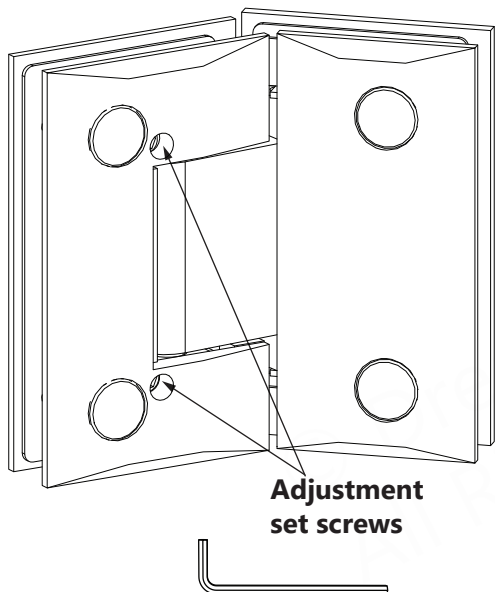
The hinge assemblies are preset to overclose 5° beyond the normal closing position to create a tight seal against the strike vinyl. While it is not necessary to adjust the hinges, the adjustment feature on the hinge assemblies can be used to change the closing angle of the door only. Make any hinge adjustments prior to installing the Strike Vinyl. Both Hinge Assemblies must be adjusted at the same time and to the same angle. Do not attempt to adjust the hinges separately or before they are installed.



The Adjustable Hinge Assemblies are factory pre-set to overclose to 130° to create a tight seal with the Strike Vinyl. If strike vinyl is not used, the hinges can be adjusted to close to a different angle (135° for example).



How to Adjust the Hinge Assemblies



Once the **Door Glass (#02)** is installed:

- Remove the strike vinyl if it is installed
- Hold the door in the closed position and loosen the adjustment set screws on **both** hinges with the supplied Allen Key
- Move the door to the new desired closed position
- While holding the door in the new closed position, retighten the set screws on **both** hinges
- The Door Glass will now close to the new closed position

NOTE

Do not adjust the hinges separately or before installation. This could lead to problems with the hinges operating together correctly.



To prevent leakage, adjust the **Hinge Assemblies (#05)** to overclose so the Door Glass creates a tight seal with the **135° Strike Vinyl (#14)**.

Product Maintenance

BASES and BACKWALLS: To ensure long lasting life for your acrylic back walls: wipe them off after each use with a soft cloth. To clean the acrylic back walls use non-abrasive sprays or cream based cleaners. Avoid the use of aerosol spray cleaners. Never use abrasive cleansers, metal brushes or scrapers that could permanently scratch or dull the surface.

GLASS: To ensure long lasting life for your glass shower products: wipe them off after each use with a soft cloth. Rinse and wipe off the glass using either a soft cloth or a squeegee to prevent soap buildup and water spots (Hard water can etch the surface of the glass over time if left to dry). To prevent scratching the surface: never use abrasive cleaners or cleaning products that contain scouring agents. Never use bristle brushes or abrasive sponges that may scratch the surface of the glass.

HARDWARE: To ensure a long lasting finish: wipe off all metal parts after each use with a soft cloth. Do not use abrasive cleaners or cleaning products containing ammonia, bleach or acid. If accidentally used, rinse the surface as soon as possible to prevent damage to the finish (peeling or corrosion). After cleaning the polished finishes, rinse thoroughly and wipe dry with a soft clean cloth.

Clean stainless steel surfaces at least once a week. When applying stainless steel cleaner or polish to stainless steel hardware, work with the grain (not across the grain). Never use an abrasive sponge or cloth, steel wool or wired brush as these may permanently scratch the surfaces.



To maximize the life of your door, it is important to regularly inspect the glass and other hardware for misalignment, proper attachment, and/or damage. Contact DreamLine® with any questions or concerns.

PRISM PLUS Maintenance Checklist

- Check that the unit is stable, operates smoothly and that the installation is secure.
- Confirm that all screws/bolts are tight.
- Confirm that all vinyl seals are intact (replace if missing or damaged to prevent leakage).
- Inspect exposed and concealed glass edges for damage (**damaged glass must be replaced!**)
- Inspect silicone for gaps. Replace silicone as necessary to prevent leaks.

Troubleshooting

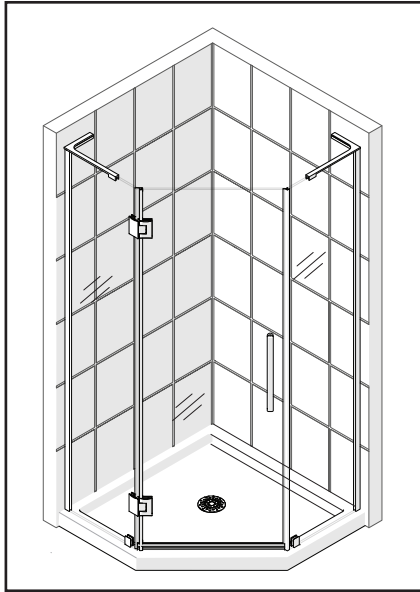
| Problem/Symptom | Suggested Solution | Page |
|---|--|---------------------|
| Missing Parts | <ul style="list-style-type: none"> •Check all shipping/packaging material for missing parts/components. •If not found, contact DreamLine Customer Support (1-866-731-2244) to order factory part replacement. | — |
| Water Leaks/Stationary Panels | <ul style="list-style-type: none"> •Confirm that silicone was properly applied along the inside edges of both Stationary Panels. • Direct the shower head/water flow away from the area. | 29 |
| Water Leaks/Door Glass | <ul style="list-style-type: none"> •Confirm that the Strike Vinyl (#14), Bottom Sweep Vinyl (#15) and the Vinyl seal (#13) (hinge vinyl) are correctly installed. • Direct the shower head/water flow away from the area. | 27-28 |
| Door Glass does not create a good seal when closed. | <ul style="list-style-type: none"> •Confirm that the Strike Vinyl (#14), Bottom Sweep Vinyl (#15) and the Vinyl seal (#13) (hinge vinyl) are correctly installed. • Direct the shower head/water flow away from the area. •Confirm the hinges are adjusted properly | 27-28 |
| Door Glass does not open or close smoothly. | <ul style="list-style-type: none"> •Confirm that the distance between the stationary panels is 23-15/16". •Check that hinges are correctly installed and tight. •Be sure 2mm gaskets have been used - one on each side of both hinges. •Confirm that if hinges were adjusted, proper procedure was followed. | 20, 21-24, 30 |
| L-Bar™ not installed level with the panel glass. | <ul style="list-style-type: none"> •Review the L-Bar™ (#04) installation steps to adjust the L-Bar™ (#04) (See steps #10-12) | 17-19 |



Prior to contacting DreamLine® Customer Service, please have the following information readily available:

- Purchase Order Information
 - Name, PO Number, Dealer/Vendor Name, etc.
- SKU/Model Number (see cover page)
- Factory Part Information (see Page 33)

Factory Parts Information



| SHEN-GLP2601 PRISM PLUS | | FACTORY PARTS INFORMATION | |
|-------------------------|--------------------------------------|--|-----|
| ITEM # | FACTORY PART NUMBER | ITEM DESCRIPTION | QTY |
| 01 | 014352028 | Return Panel Glass (34" x 34") | 1 |
| | 014352021 | Return Panel Glass (36" x 36") | 1 |
| | 014352023 | Return Panel Glass (38" x 38") | 1 |
| | 014352025 | Return Panel Glass (40" x 40") | 1 |
| 02 | 014352026 | Door Glass | 1 |
| 03 | 014352027 | Hinge Panel Glass (34" x 34") | 1 |
| | 014352020 | Hinge Panel Glass (36" x 36") | 1 |
| | 014352022 | Hinge Panel Glass (38" x 38") | 1 |
| | 014352024 | Hinge Panel Glass (40" x 40") | 1 |
| 04 | 07121048/07124048/07126048/07129048 | L-Bar™ Support Bracket Left 12in for 10mm (3/8in) Glass | 1 |
| 04 | 07121049/07124049/07126049/07129049/ | L-Bar™ Support Bracket Right 12in for 10mm (3/8in) Glass | 1 |
| 05 | 07411008/07414008/07416008/07419008/ | 130 Degree Glass-to-Glass Hinge Assembly for 10mm (3/8in) Glass | 2 |
| 06 | 07221004/07224004/07226004/07229004 | Rectangular Single Sided Handle with Knob for 10mm (3/8in) Glass | 1 |
| 07 | 07552148 | Wall Anchor 8mm (5/16in) | 15 |
| 08 | 091104 | ST4.0 x 25mm Pan Head Screw | 2 |
| 09 | 090108 | ST4.2 x 40mm Truss Head Screw | 7 |
| 10 | 07551011/07554011/07556011/07559011 | Decorative cover and washer | 5 |
| 11 | 07121057/07124057/07126057/07129057 | U-Channel 1" SS for 10mm (3/8in) Glass | 2 |
| 12 | 07011002/07014002/07016002/07019002/ | Bottom Glass Bracket Exposed Screw for 10mm (3/8in) Glass | 2 |
| 13 | 063014100-1829 | Vinyl Seal with Flexible Fin for 10mm (3/8in) glass | 1 |
| 14 | 063016100-1829 | 135 degree Strike Vinyl for 10mm (3/8in) Glass | 1 |
| 15 | 063066100-0610 | Bottom Sweep Vinyl for 10mm (3/8in) Glass | 1 |
| 17 | 091107 | ST4.0 x 40mm Pan Head Screw | 11 |
| --- | 07551093 | PVC Glass Spacer 0.5mm | 4 |

BOLD digit indicates finish: 1 = Chrome; 4= Brushed Nickel; 06=ORB; 09=Satin Black

Contact Support@DreamLine.com for Part replacement, installation assistance or additional information.
 Complete **Warranty** information is available on DreamLine.com.

© DreamLine®
All Rights Reserved



© DreamLine®
All Rights Reserved

TEL: 866-731-2244
FAX: 866-857-3638
DREAMLINE.COM



For more information on DreamLine® Shower Doors and Enclosures please visit [DreamLine.com](https://www.DreamLine.com)