

C³

COMFY COZY CONVENIENT

C3P23LJ-2085CO



Operating Instructions

! NOTE: The heater on your fireplace may emit a slight, harmless odor when first used. This odor is a normal condition caused by initial heating of internal heater parts and will not occur again.

CUTOFF SWITCH

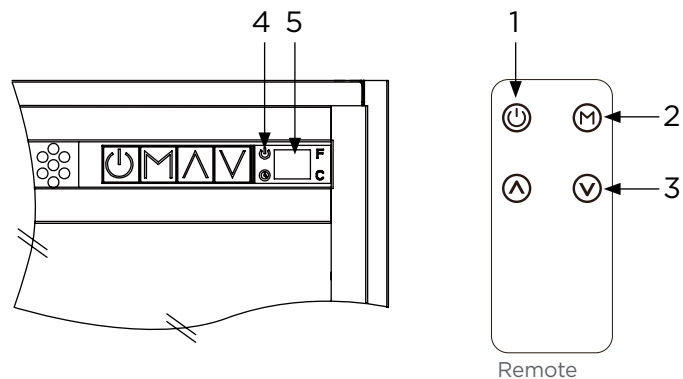
! NOTE: There is a safety temperature cutoff switch (cutout) inside the heater. If the heater overheats, the cutout will shut off the supply power.

It can be reset by unplugging the unit and waiting 5 minutes before plugging the unit back on.

CAUTION: If you need to continuously reset the heater, unplug the unit and call technical service at 1-888-346-7539

The fireplace can be operated with the multi-function IR remote control or from the control buttons located on the top-right corner of the fireplace.

The remote control has an operating range of up to 5.8m / 19ft.



1. Power ON/OFF
2. Mode Button
3. Up/Down Buttons
4. Indicator Icons
5. Digital Display

Power ON/OFF

The **ON/OFF** button turns the fireplace ON and OFF. When the fireplace is OFF, power indicator icon is lit red. Power icon turns green when power is ON.

The fireplace has a built-in memory function, when turned back on, it starts at the last used settings except for the timer. If the fireplace insert is disconnected from the main power source, it reverts to the default settings.

! NOTE: Each time the fireplace insert is plugged in, it runs an internal program check and the heater will turn on for 5 seconds.

M Mode Button

Press the **Mode Button** to cycle through Heat, Timer or Flame Brightness set mode.

Heat Set Mode

When active press **Up or Down Button** to set temperature from 59°F (15°C) to 86°F (30°C), ON and OF. 'ON' means the heater operates continuously. 'OF' (OFF) means only the fan will operate the heater will be off.

! NOTE: When the heat is turned off, the heating element will shut down first then the fan after 20 seconds.

Changing the Temperature Unit (°F ↔ °C):

Press and hold the **Mode Button** on the fireplace for 3 seconds to change the displayed temperature units.

! NOTE: This function cannot be set with the remote control.

Timer Set Mode

When timer mode is activated 0.0 appears on the display and the timer indicator light is lit yellow. Press **Up/Down Button** to set the sleep timer by scrolling through the following: 0.0 (off), 0.5 (30 min), 1.0 (1h), 1.5, 2.0, 2.5 ...9.0.

The fireplace shuts off after the selected time period. Switching the fireplace off with the Power Button clears any timer setting.

Flame Brightness Set Mode

When set in this mode, use the Up and Down Buttons to select from the available 6 options: F0 (no flames), F1, F2, F3, F4 and F5 (the brightest flames and ember bed).

^ V UP/DOWN Buttons

These buttons are used to adjust heater, timer and flame settings.

Child Lock Enable & Disable:

When the fireplace is ON, press and hold the **Power ON/OFF Button** on the fireplace for 10 seconds. Three beeps and flashing 'E3' indicate that the Child Lock function is activated. The Mode, Up or Down buttons will not operate and 'E3' will be displayed when pressed. The power ON/OFF button will also not operate, but only beeps will indicate that the child lock has been activated.

To disable the Child Lock, again press and hold the **Power ON/OFF Button** for 10 seconds.

! NOTE: This function can only be done through the fireplace controls, not using the remote control.

