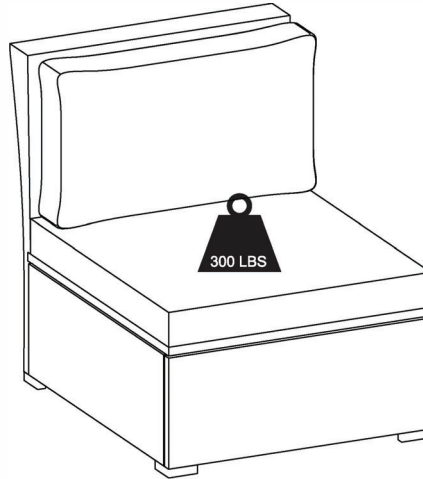


# Modular Patio Center Chair with Cushions

196861191206

196861191053



## ASSEMBLY INSTRUCTIONS

### Before You Begin:

Please identify all component parts and hardware pieces required before you begin. Carefully remove all of the components from the packaging and set aside for assembly. Assemble on a soft surface to prevent scratching during assembly.

### Caution:

Tighten all components securely before use. Failure to do so may result in personal injury.

DO NOT use any sharp objects to open plastic wrapped components as damage to product or components may result.

### Warning:

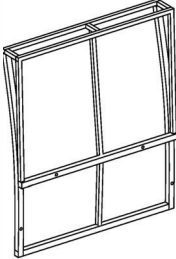
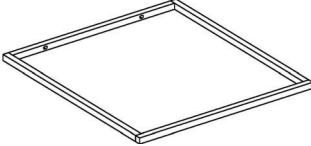
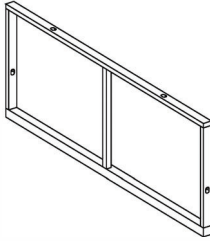
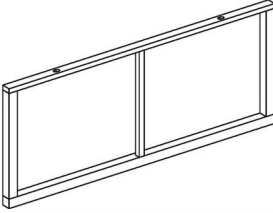
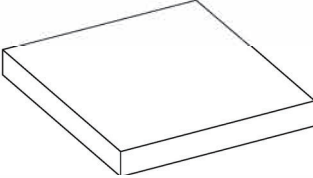
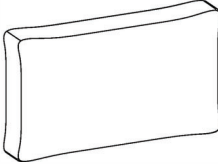
**CHOKING HAZARD- Small Parts. Adult Assembly Required.**

**DO NOT ALLOW CHILDREN TO CLIMB ON FURNITURE**

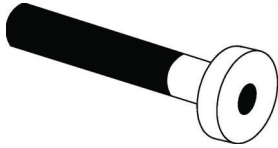
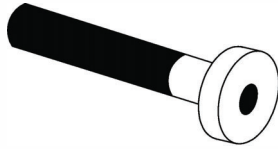
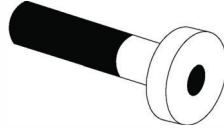


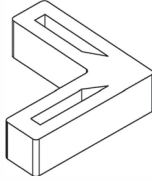
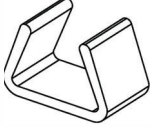
Serious or fatal injuries can occur from furniture tipping over. You must install Tipping Restraint Hardware (where included) to help prevent the unit from tipping and causing accidental injury, instability, death or damage. The tipping restraint is intended only as a safety measure, it is not a substitute for proper adult supervision.

To help prevent furniture from tipping over it must be permanently attached to the wall. Anti-Tip Safety Wall Straps suitable for the unit weight and wall materials (if not included) should be purchased and installed.

# Part List

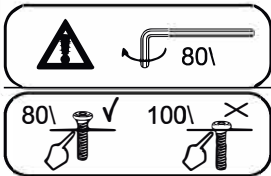
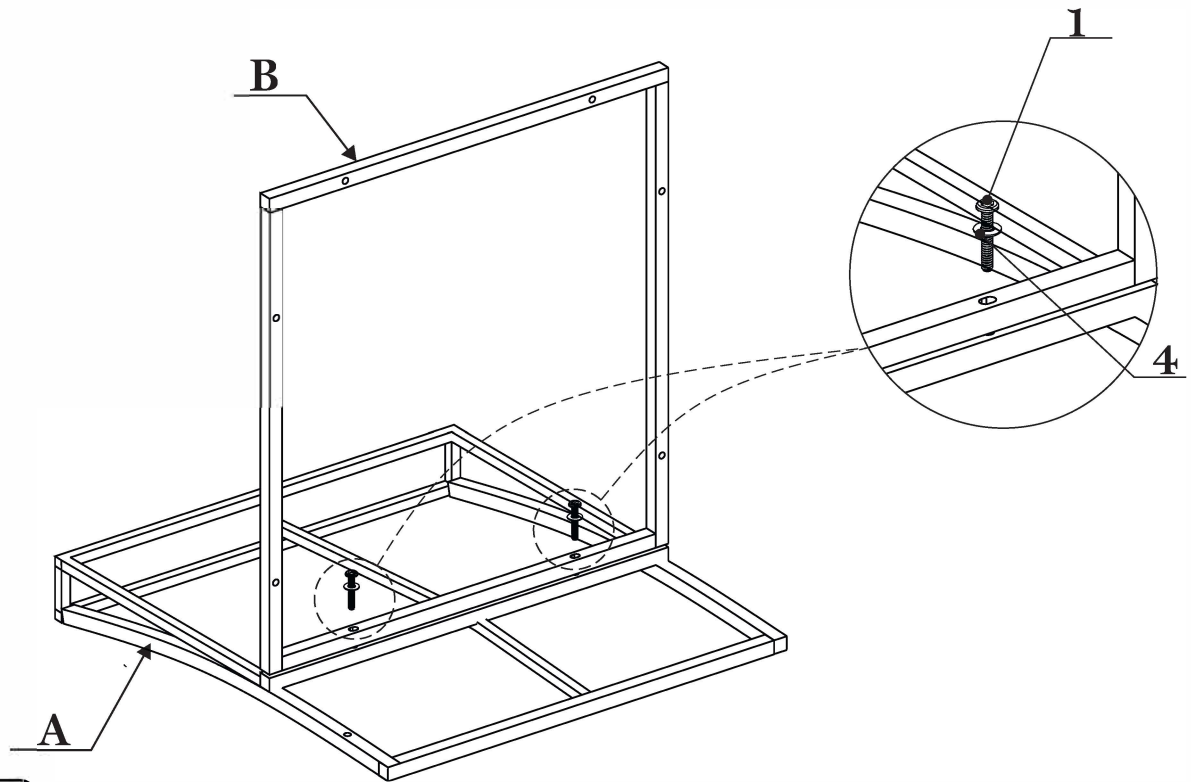
<p><b>A</b> Backrest</p>  <p>(1 pc)</p>	<p><b>B</b> Seat Frame</p>  <p>(1pc)</p>	<p><b>C</b> Side Panel</p>  <p>(2 pcs)</p>
<p><b>D</b> Front Panel</p>  <p>(1 pc)</p>	<p><b>E</b> Seat Cushion</p>  <p>(1 pc)</p>	<p><b>F</b> Back Cushion</p>  <p>(1 pc)</p>



# Hardware

<p><b>1</b></p>  <p><b>M6x45 mm(2pcs)</b></p>	<p><b>2</b></p>  <p><b>M6x35 mm (10pcs)</b></p>	<p><b>3</b></p>  <p><b>M6x25 mm (8pcs)</b></p>
<p><b>4</b></p>  <p><b>M6x16 mm Washer (12pcs)</b></p>	<p><b>5</b></p>  <p><b>Allen Key (1pc)</b></p>	<p><b>6</b></p>  <p><b>Feet (4pcs)</b></p>
<p><b>7</b></p>  <p><b>Clip (1pcs)</b></p>		

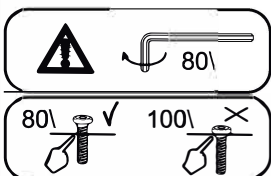
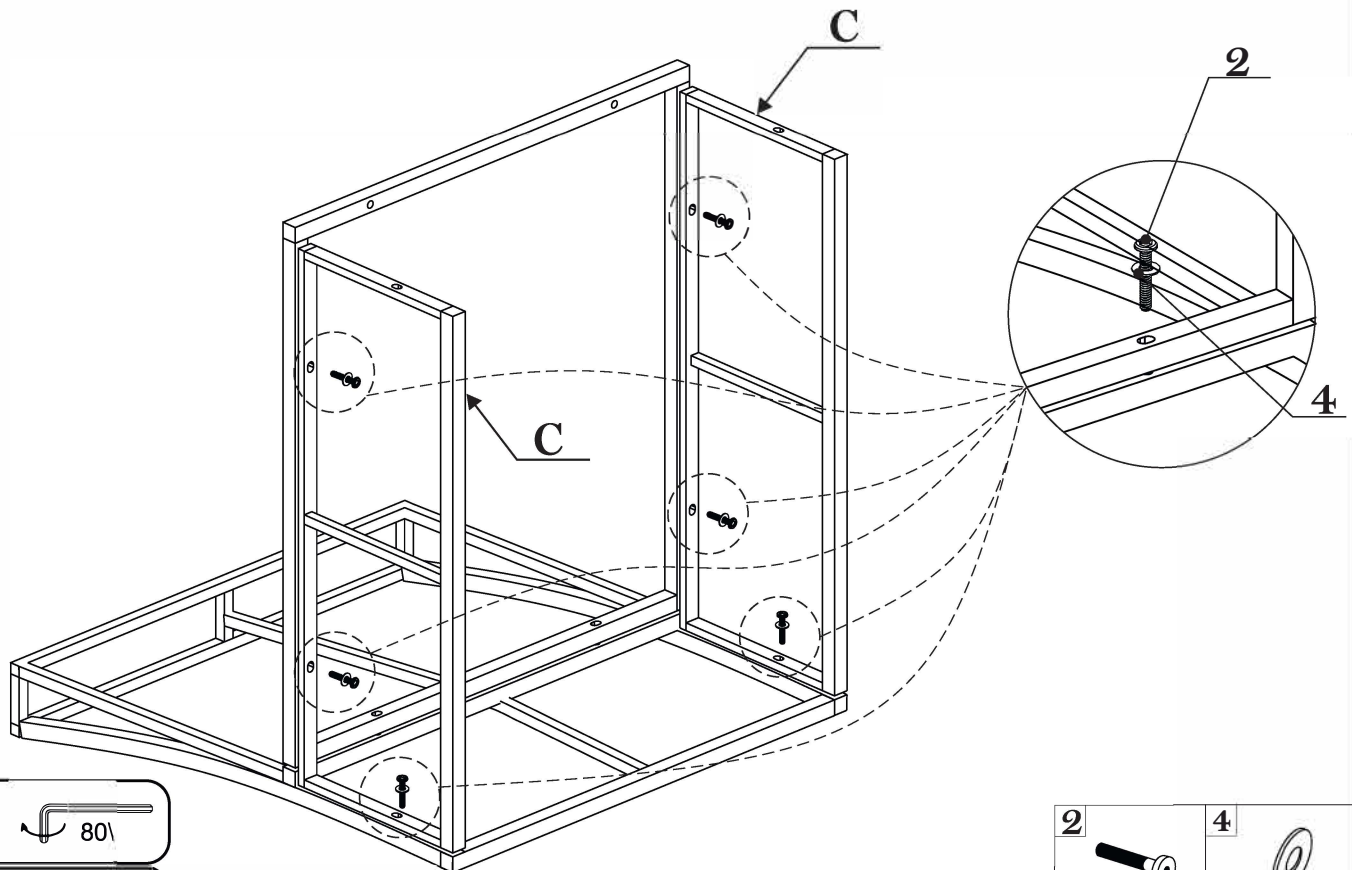
# STEP 1



Note : Do not completely tighten the screws until the product is fully assembled.



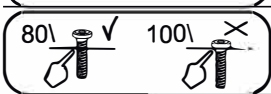
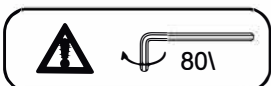
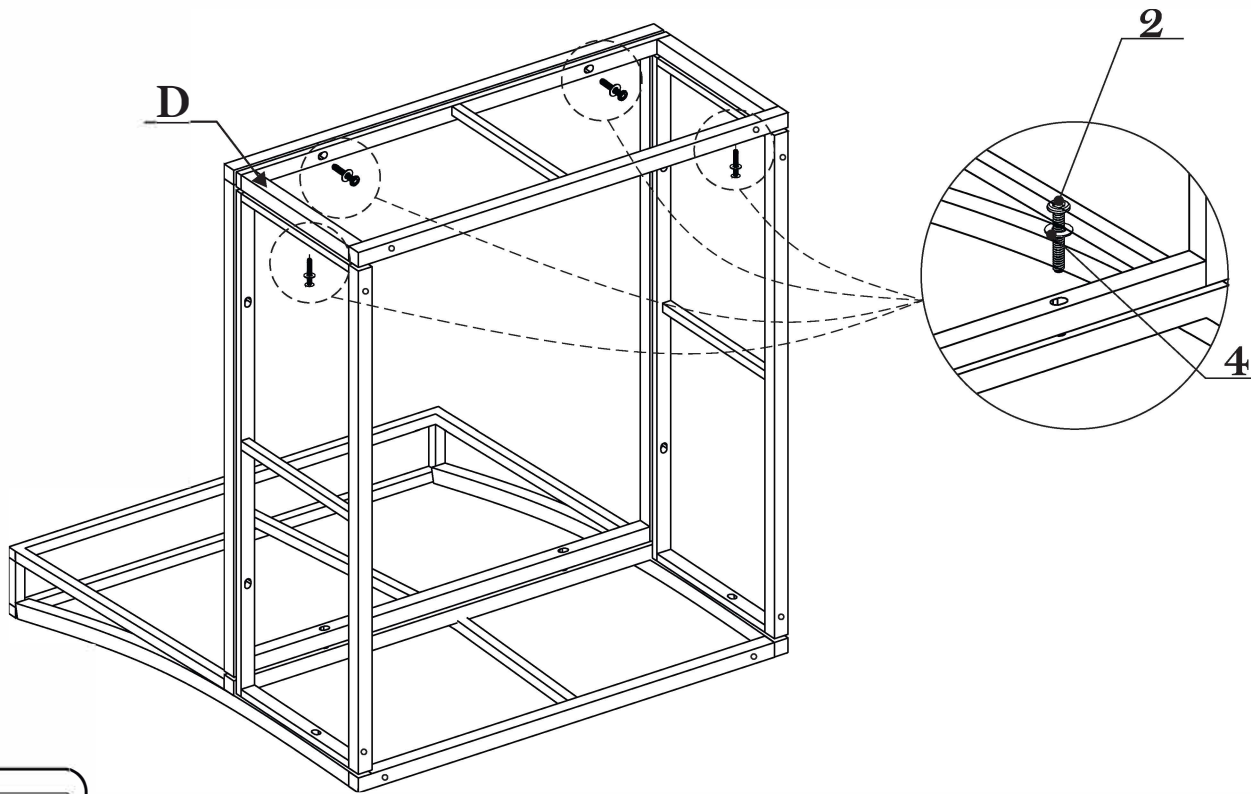
<b>1</b>		<b>4</b>	
	2 pcs M6x35		2 pcs



# STEP 2



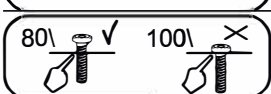
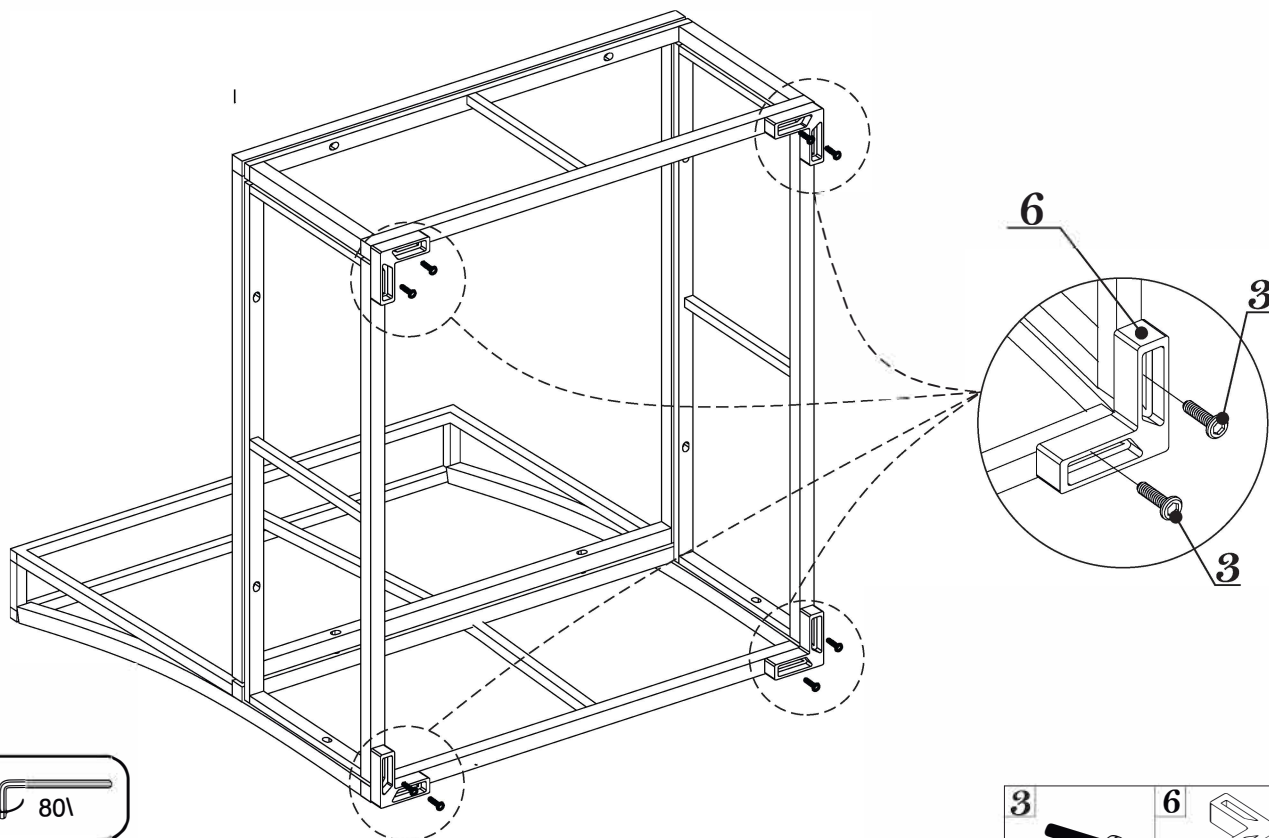
<b>2</b>		<b>4</b>	
	6 pcs M6x35		6 pcs


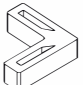
# STEP 3



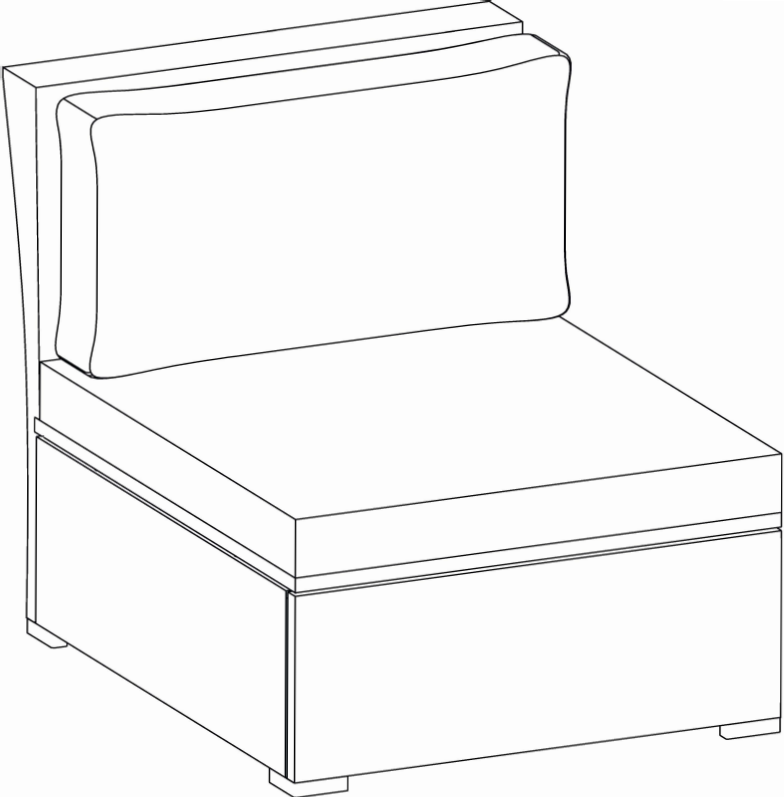
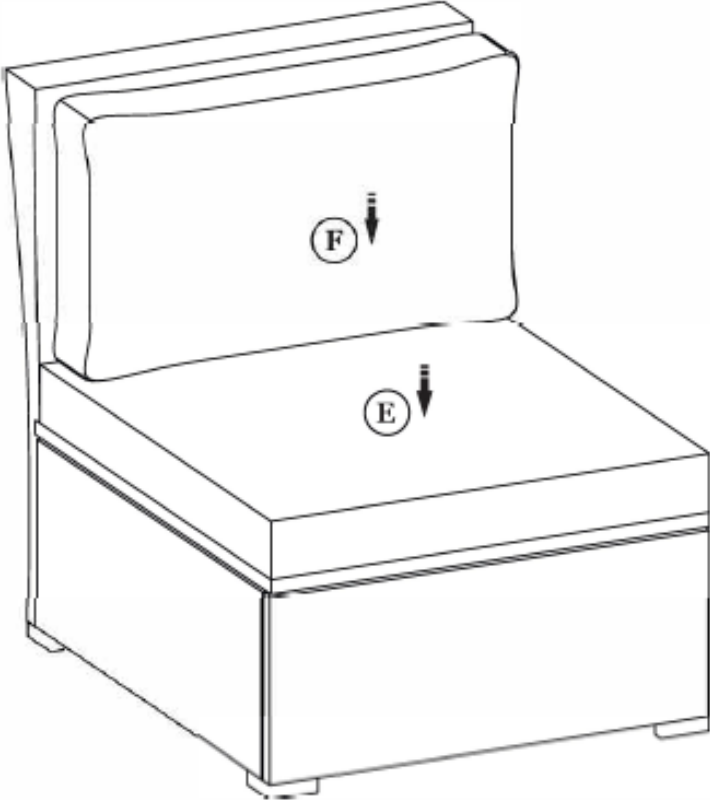
<b>2</b>		<b>4</b>	
	4 pcs M6x35		4 pcs

# STEP 4 Fully tighten all screws.

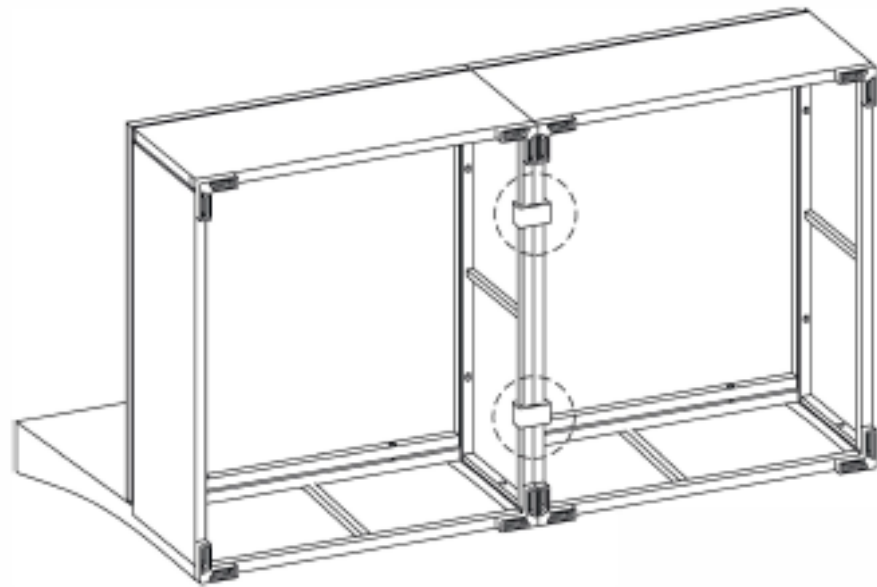


<b>3</b>		<b>6</b>	
	8 pcs M6x25		4 pcs

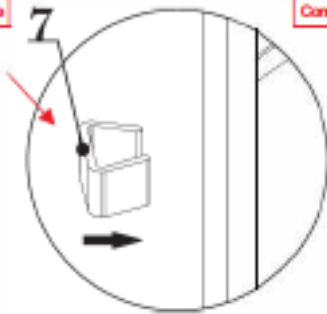
**STEP 5**



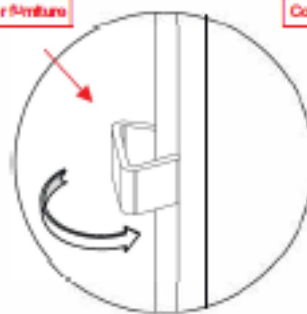
# How To Attach Modular Pieces



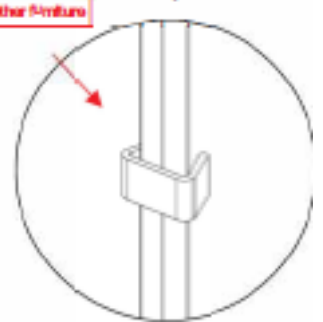
Connect with other furniture



Connect with other furniture



Connect with other furniture

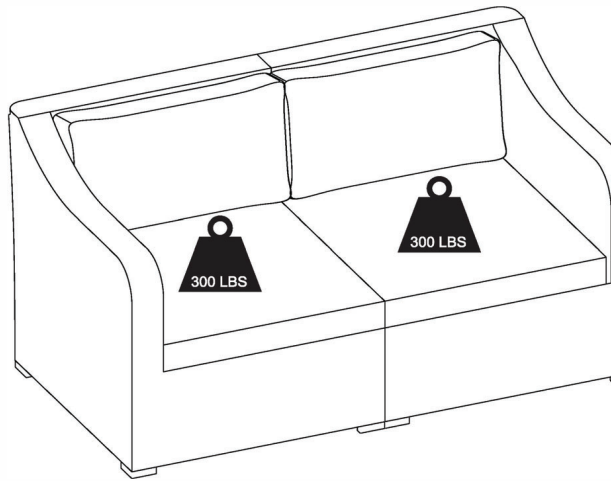


## Quality and Safety Guidelines:

- Please follow the static and dynamic weight capacity limits provided on this item. If you are unsure of the weight capacities for this product, email us at [customerexperience@theubiquegroup.com](mailto:customerexperience@theubiquegroup.com) or call 866-552-2810.
- Please use this item on a stable, level surface only. All chair/lounger/recliner feet/legs/base should contact the flooring surface when in use. Do not use this item if any instability is detected.
- Please take care to keep the chair stationary when lowering yourself into a seated position in this chair.
- Please inspect this product regularly to make sure there are no damaged or worn parts. Also inspect to make sure all hardware is tightened correctly and securely.
- For inspection instructions, please email us at [customerexperience@theubiquegroup.com](mailto:customerexperience@theubiquegroup.com) or call 866-552-2810.
- For maintenance instructions and replacement parts, please email us at [customerexperience@theubiquegroup.com](mailto:customerexperience@theubiquegroup.com) or call 866-552-2810.
- If any parts are damaged or worn, please stop using the product. Repair this product with manufacturer supplied parts only.
- This item is intended for sitting and reclining only, do not climb or stand on this item.
- To prevent pinching or crushing injuries, ensure all areas are clear when adjusting the positions of the chair
- The product was designed for seating one person at a time.
- Do not slide the item when moving it.
- Store indoors away from moisture. For additional storage instructions, please email us at [customerexperience@theubiquegroup.com](mailto:customerexperience@theubiquegroup.com) or call 866-552-2810.
- Please visit [www.theubiquegroup.com](http://www.theubiquegroup.com) for our product warranty details or email us at [customerexperience@theubiquegroup.com](mailto:customerexperience@theubiquegroup.com) or call 866-552-2810.

# Patio Loveseat with Cushions

196861191046  
196861191190



## ASSEMBLY INSTRUCTIONS

### Before You Begin:

Please identify all component parts and hardware pieces required before you begin. Carefully remove all of the components from the packaging and set aside for assembly. Assemble on a soft surface to prevent scratching during assembly.

### Caution:

Tighten all components securely before use. Failure to do so may result in personal injury. DO NOT use any sharp objects to open plastic wrapped components as damage to product or components may result.

### Warning:

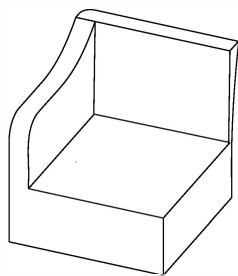
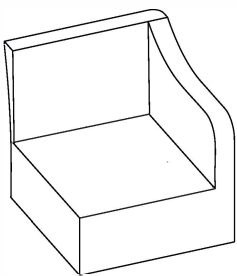
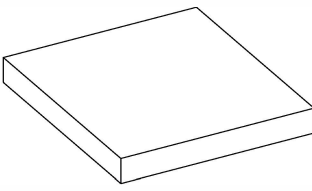
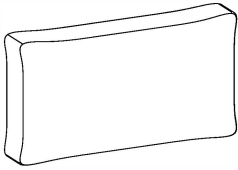
**CHOKING HAZARD- Small Parts. Adult Assembly Required.**

**DO NOT ALLOW CHILDREN TO CLIMB ON FURNITURE**





Serious or fatal injuries can occur from furniture tipping over. You must install Tipping Restraint Hardware (where included) to help prevent the unit from tipping and causing accidental injury, instability, death or damage. The tipping restraint is intended only as a safety measure, it is not a substitute for proper adult supervision.

To help prevent furniture from tipping over it must be permanently attached to the wall. Anti-Tip Safety Wall Straps suitable for the unit weight and wall materials (if not included) should be purchased and installed.

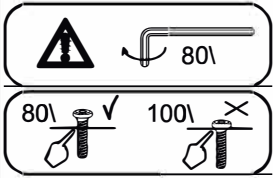
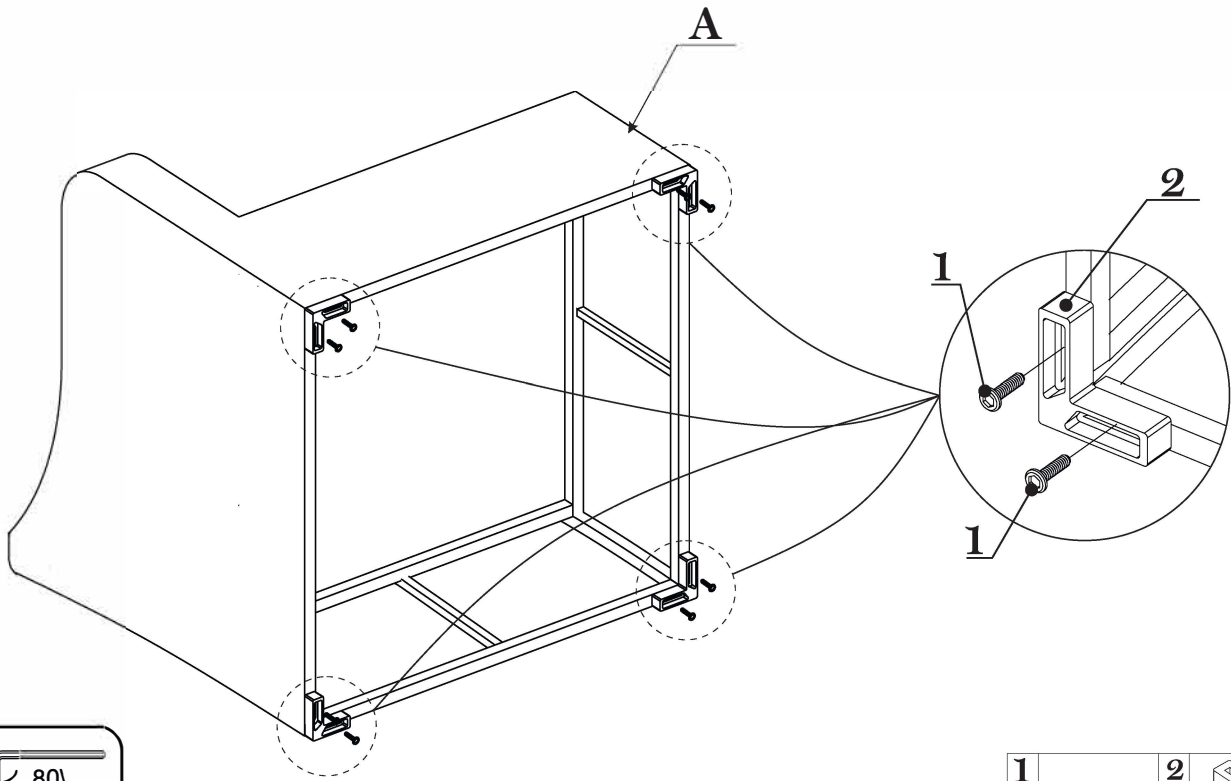
# Part List

<b>A</b> Chair Corner Right  (1pc)	<b>B</b> Chair Corner Left  (1pc)	<b>C</b> Seat Cushion  (2pcs)
<b>D</b> Back Cushion  (2pcs)		

# Hardware

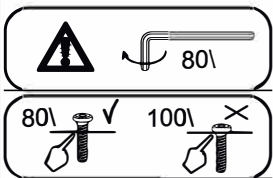
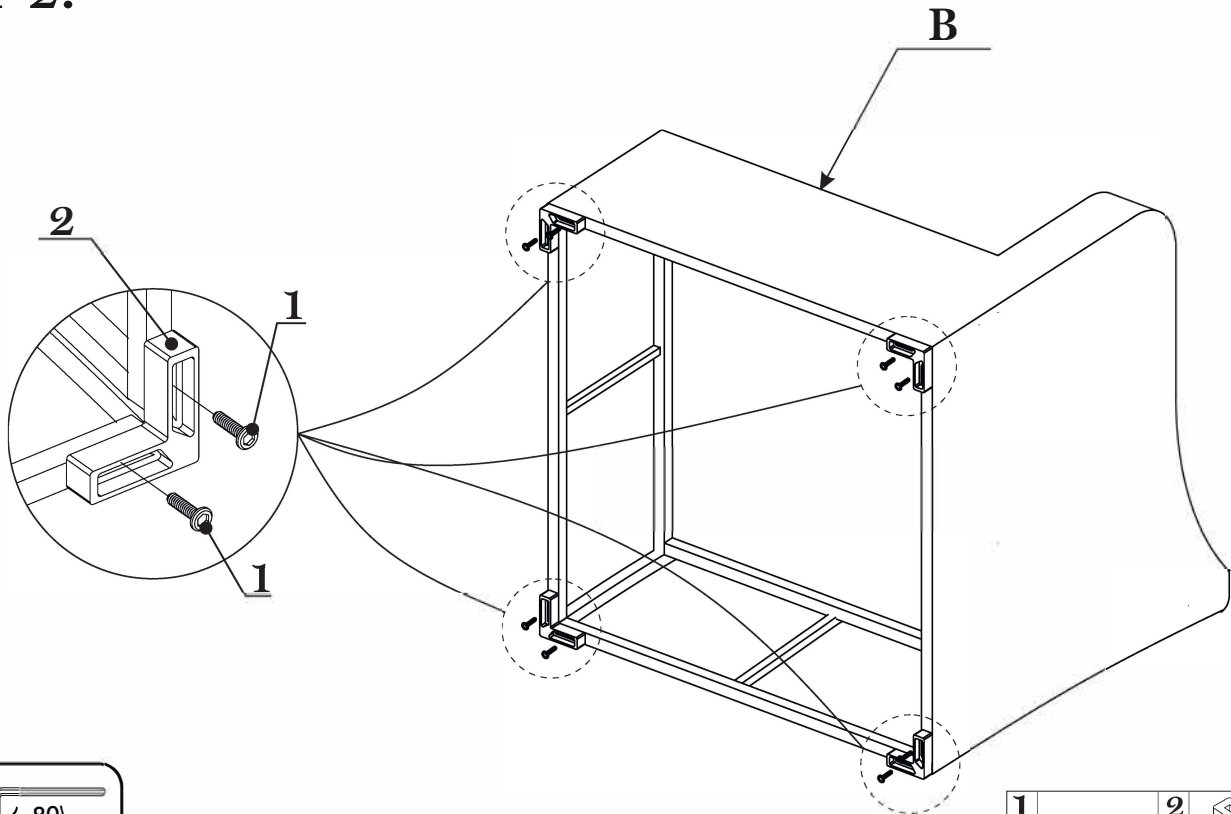
<b>1</b>  M6x25 (16pcs)	<b>2</b>  Feet (8pcs)	<b>3</b>  Allen Key (1pc)
<b>4</b>  Clip (2pcs)		

# STEP 1:



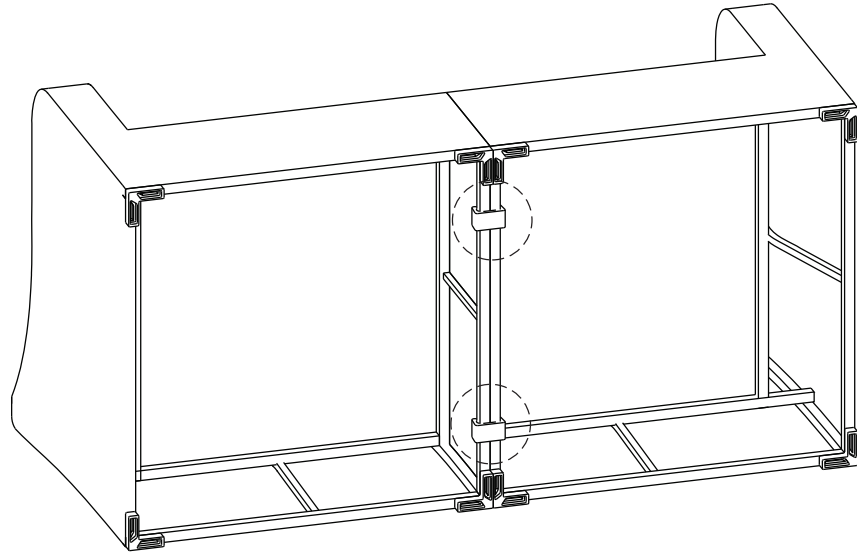
1	2
8 pcs M6x25	4 pcs

# STEP 2:



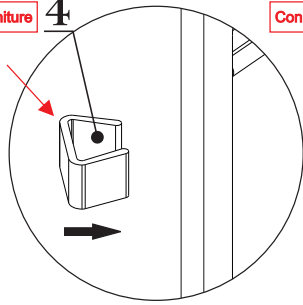
1	2
8 pcs M6x25	4 pcs

### STEP 3:

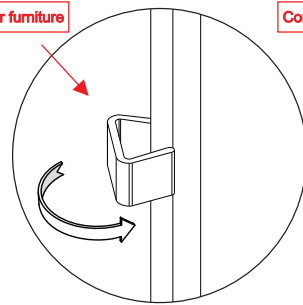


Connect with other furniture

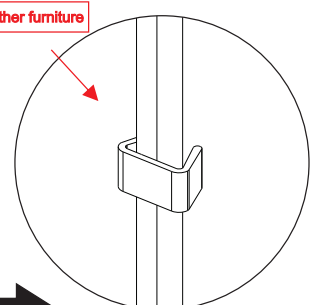
4



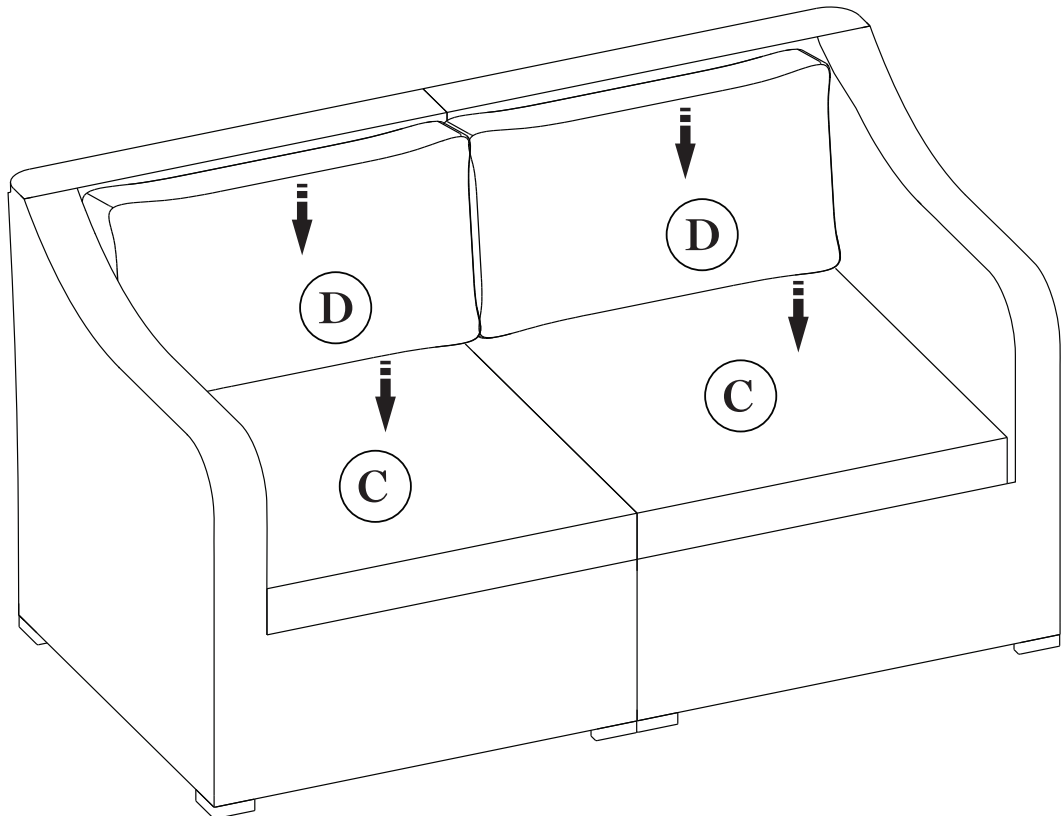
Connect with other furniture

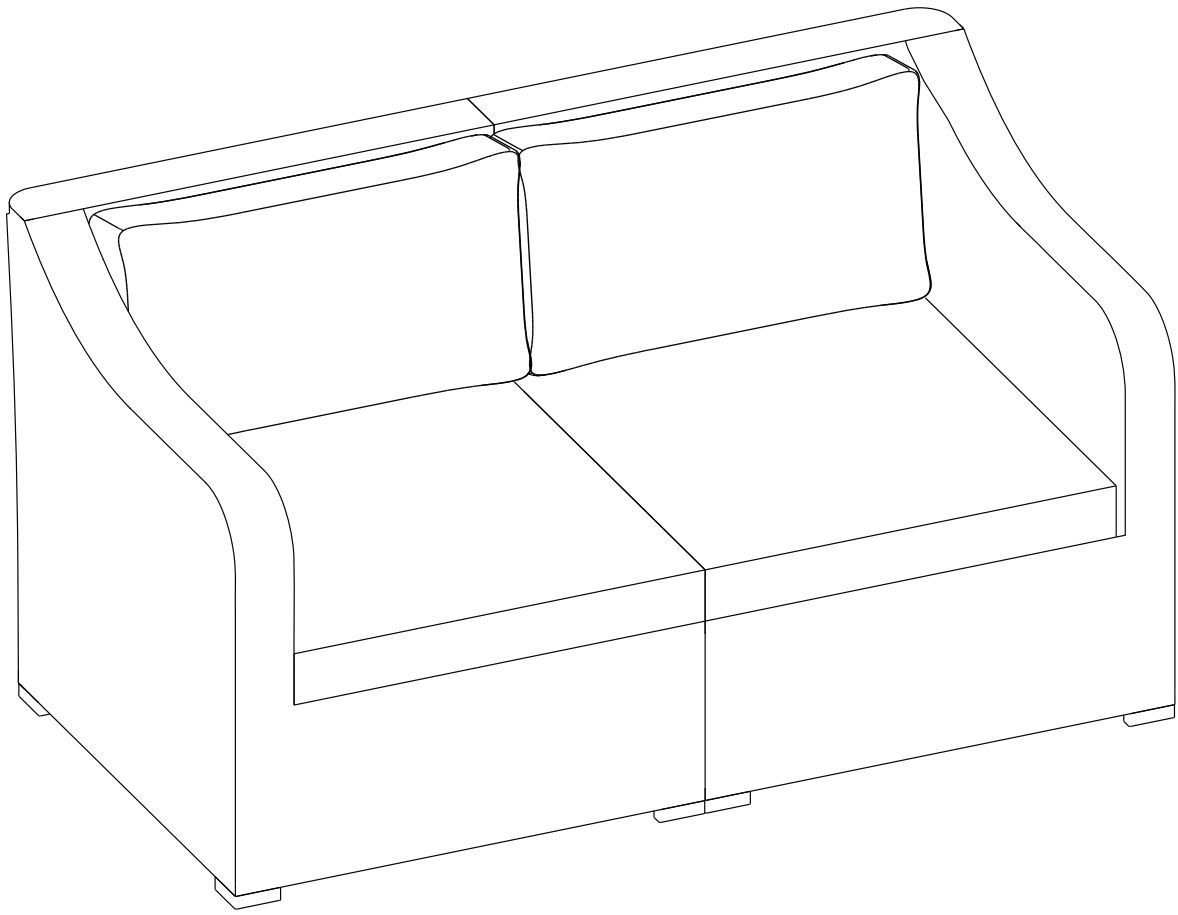


Connect with other furniture



### STEP 4:





## Quality and Safety Guidelines:

- Please follow the static and dynamic weight capacity limits provided on this item. If you are unsure of the weight capacities for this product, email us at [customerexperience@theubiquegroup.com](mailto:customerexperience@theubiquegroup.com) or call 866-552-2810.
- Please use this item on a stable, level surface only. All chair/lounger/recliner feet/legs/base should contact the flooring surface when in use. Do not use this item if any instability is detected.
- Please take care to keep the chair stationary when lowering yourself into a seated position in this chair.
- Please inspect this product regularly to make sure there are no damaged or worn parts. Also inspect to make sure all hardware is tightened correctly and securely.
- For inspection instructions, please email us at [customerexperience@theubiquegroup.com](mailto:customerexperience@theubiquegroup.com) or call 866-552-2810.
- For maintenance instructions and replacement parts, please email us at [customerexperience@theubiquegroup.com](mailto:customerexperience@theubiquegroup.com) or call 866-552-2810.
- If any parts are damaged or worn, please stop using the product. Repair this product with manufacturer supplied parts only.
- This item is intended for sitting and reclining only, do not climb or stand on this item.
- To prevent pinching or crushing injuries, ensure all areas are clear when adjusting the positions of the chair
- The product was designed for seating one person at a time.
- Do not slide the item when moving it.
- Store indoors away from moisture. For additional storage instructions, please email us at [customerexperience@theubiquegroup.com](mailto:customerexperience@theubiquegroup.com) or call 866-552-2810.
- Please visit [www.theubiquegroup.com](http://www.theubiquegroup.com) for our product warranty details or email us at [customerexperience@theubiquegroup.com](mailto:customerexperience@theubiquegroup.com) or call 866-552-2810.