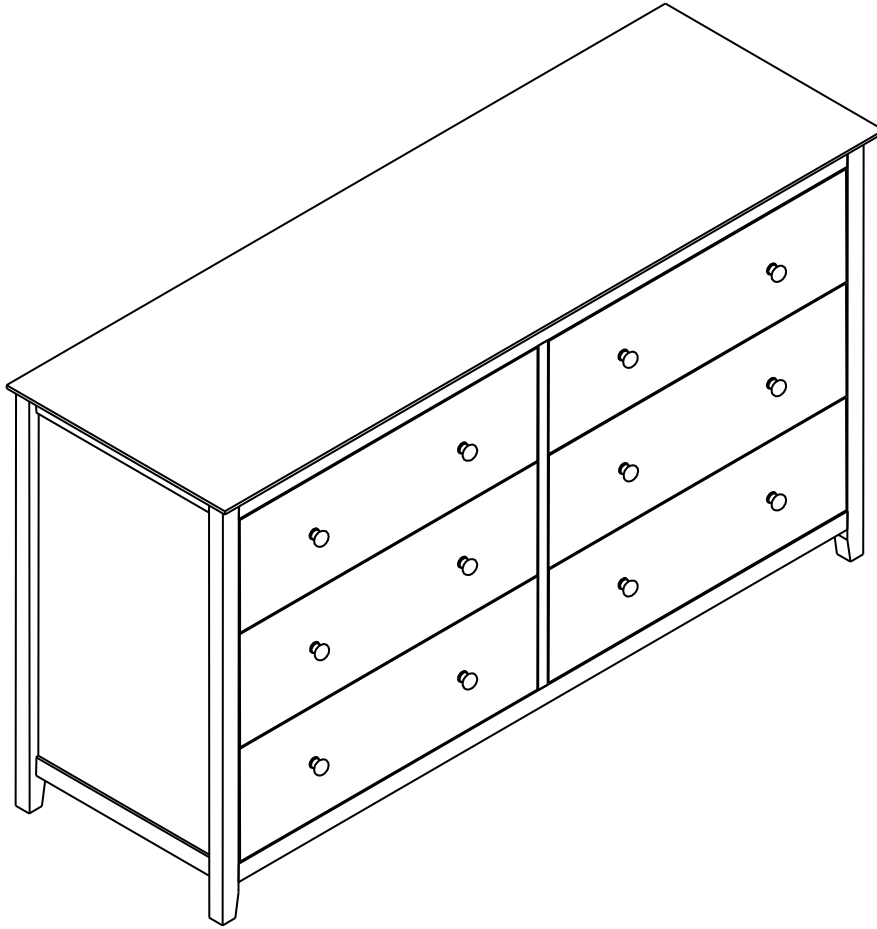


ASSEMBLY INSTRUCTIONS



PLEASE READ!

IN ORDER TO COMPLY WITH MANDATED ANTI TIPPING SAFETY REGULATIONS, THIS UNIT HAS A LOCKING MECHANISM THAT ALLOWS TO OPEN ONLY ONE DRAWER AT A TIME.

WARNING!

Serious or fatal injuries can occur from furniture tip over. Use tip over restraint (provided) to secure this product to the wall.

Description : BROKLYN 6 DRAWER DRESSER
Item No. : BD-8006

BEFORE ASSEMBLY

Thank you for purchasing this quality product. This product has been designed for easy assembly and constructed for durability. All parts were checked prior to packaging to insure quality. Prior to beginning assembly, however, make sure all parts and hardware are included and free of obvious defect. If a part is missing or defective, please contact the store where purchased. If hardware is missing, or you need help with assembly, please call toll free 888-944-8396.

IMPORTANT NOTE:

- Place all wooden parts on a clean and smooth surface such as a rug or carpet to avoid the parts from being scratched.
- Remove all wrapping material, including staples & packing straps before you start to assemble.
- DO NOT tighten all screws and bolts until completely assembled.
- Keep all hardware parts out of reach of children.

WARNING:

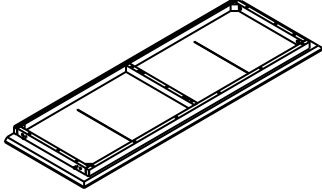
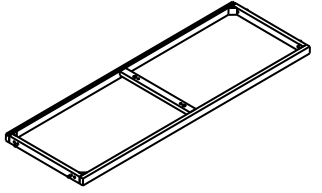
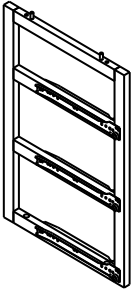
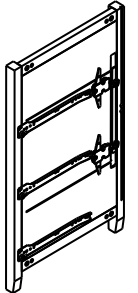
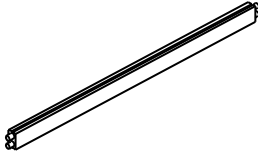
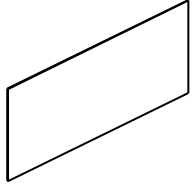
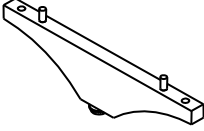
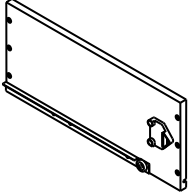
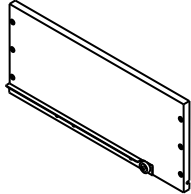
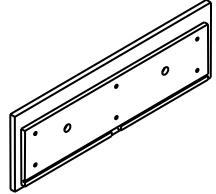
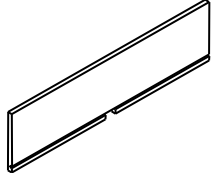
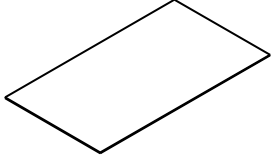
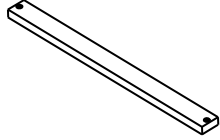
Long exposure to rubber or soft plastic may cause a chemical reaction and damage the finish of your product. Protect the surface of the product with cloth if you are using any product with rubber feet or base.

ASSEMBLY TOOLS REQUIRED NOT INCLUDED




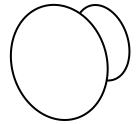

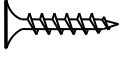

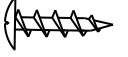

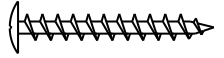
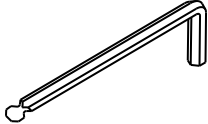
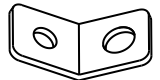
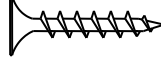
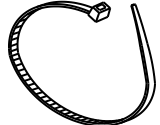

PART LIST

When unpacking, please be careful not to discard any parts with the packaging. Before continuing, please make sure you have the following parts:



NO	Description	Qty	Sketch	NO	Description	Qty	Sketch
A	Top	1		B	Bottom Frame	1	
C	Vertical Panel	1		D	Side Panel (L-R)	2	
E	Back Rail	1		F	Back Panel	2	
G	Support Leg	1		H	Drawer Side (L-R)	6	
I	Drawer Side (L-R)	6		J	Drawer Front	6	
K	Drawer Back	6		M	Drawer Bottom	6	
N	Support Bar	6					

HARDWARE LIST

When unpacking, please be careful not to discard any parts with the packaging. Before continuing, please make sure you have all of the following hardware:

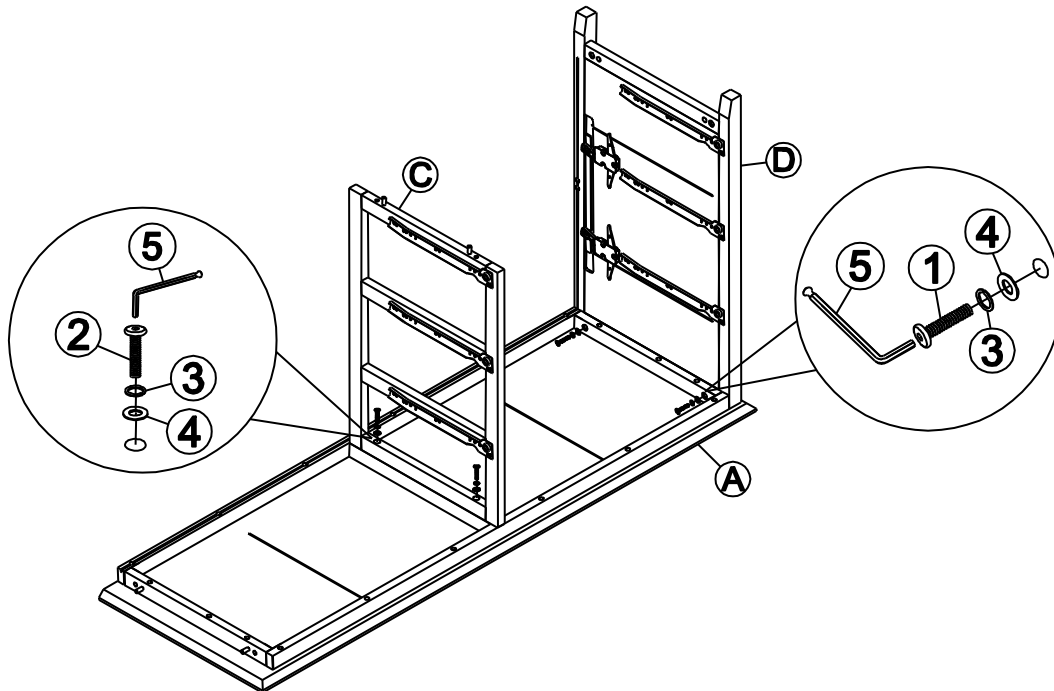
NO	Description	Qty	Sketch	NO	Description	Qty	Sketch
1	Short Bolt (M6 x 30mm)	10		8	Wooden Knob (ϕ 30 x 30mm)	12	
2	Long Bolt (M6 x 40mm)	4		9	Short Screw (M4 x 30mm)	12	
3	Spring Washer (ϕ 6.5 x 11mm)	14		10	Short Pan head screw (M4 x 15mm)	2	
4	Flat Washer (ϕ 6.5 x 13mm)	14		11	Long Pan head screw (M4 x 50mm)	2	
5	Allen key (M4 x 30mm x 110mm)	1		12	Steel Tip Bracket	4	
6	Long Screw (M4 x 35mm)	75		13	Flat Nylon Tie	2	
7	Pan head screw (M4 x 25mm)	12					

NOTE: WARNING LABEL (INCLUDED)

⚠ WARNING	
	<p>Children have died from furniture tipover. To reduce the risk of furniture tipover:</p> <ul style="list-style-type: none">•ALWAYS install anti-tip device provided.•NEVER put a TV on this product.•NEVER allow children to stand, climb or hang on any drawers, doors, or shelves.•NEVER open more than one drawer at a time.•DO NOT defeat or remove the drawer interlock system; it is an important stability and safety system.•Place heaviest items in the lowest drawers. <p><i>This is a permanent label. Do not remove!</i></p>
	

STEP 1

Attach side panel (D) and vertical panel (C) to top (A) with bolts (1) and (2), and washers (3) and (4) as shown below. Tighten with Allen key (5).

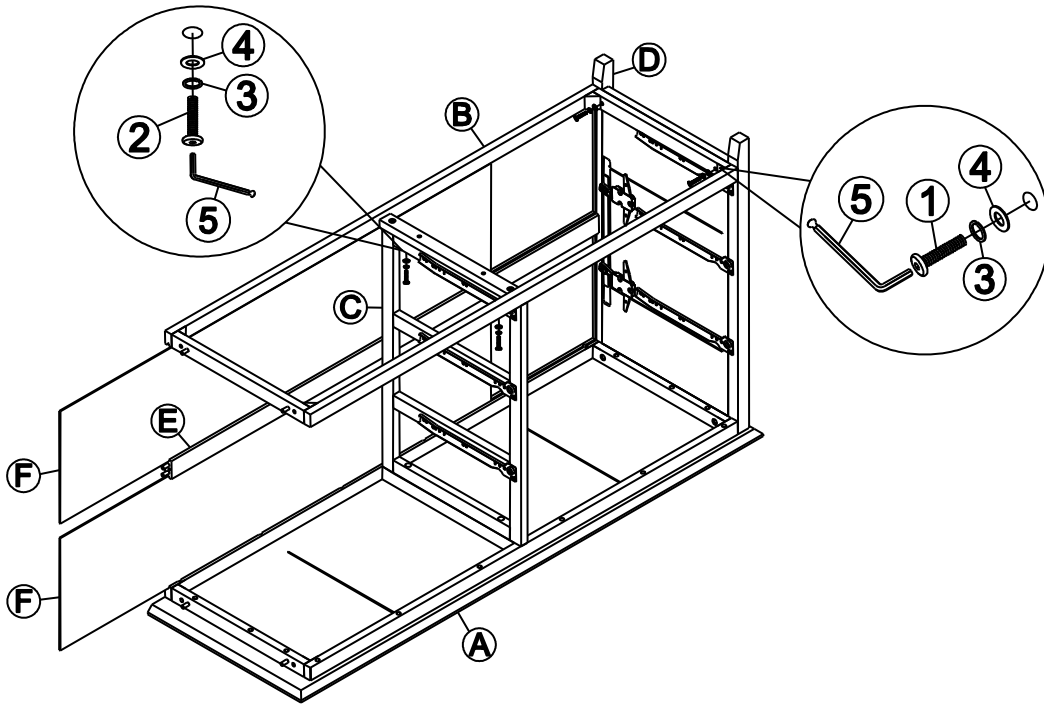


ITEM NO.: BD-8006
REVISED APR 03, 2024

Printed in Vietnam

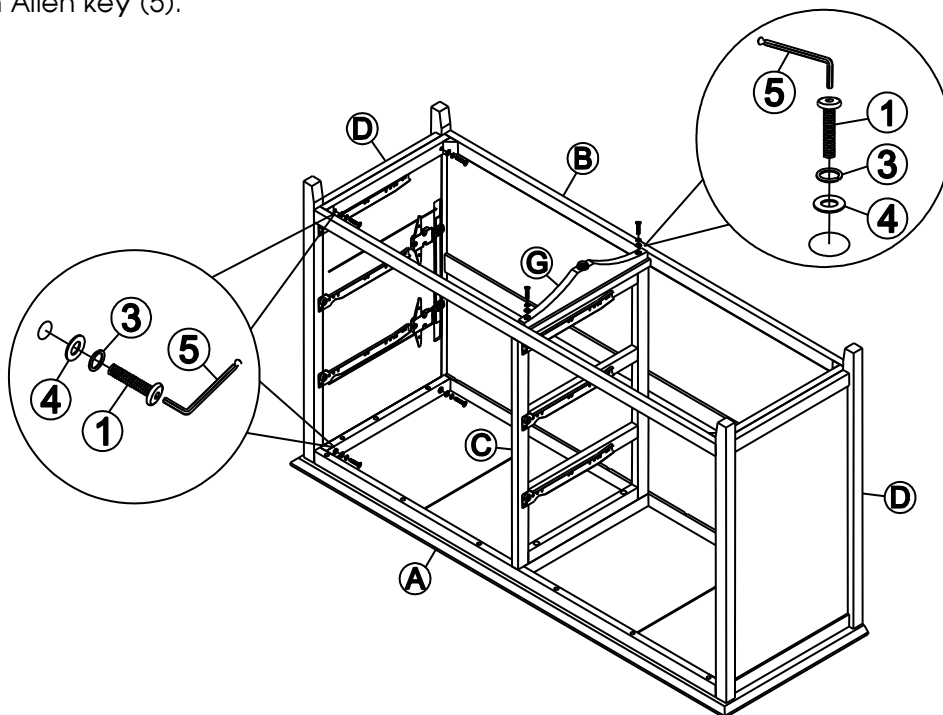
STEP 2

Attach bottom frame (B) to side panel (D) and vertical panel (C) with bolts (1) and (2), and washers (3) and (4) as shown below. Tighten with Allen key (5).
Slide back panels (F) and back rail (E) into the grooves as shown below.



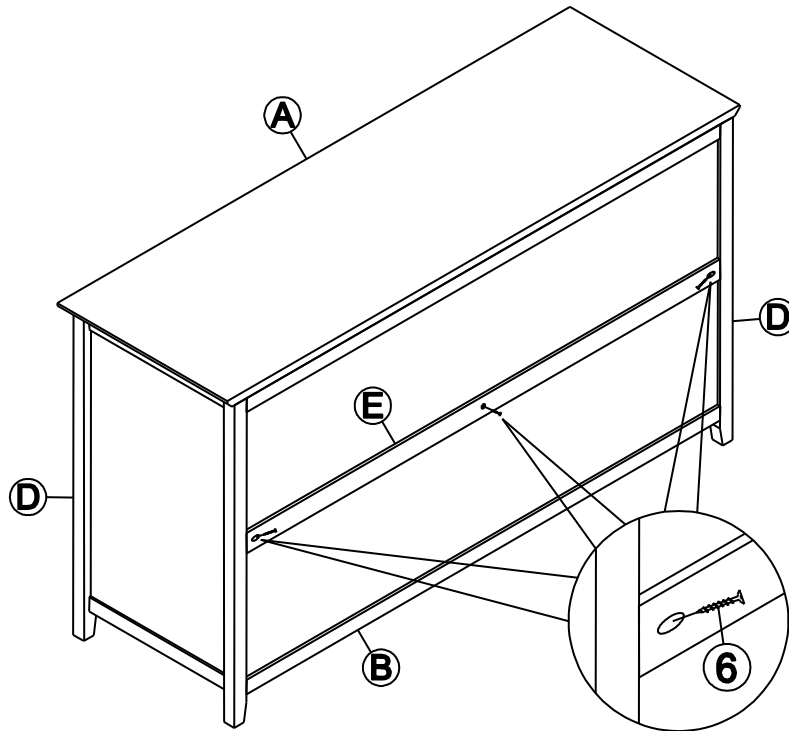
STEP 3

Attach the other side panel (D) to top (A) and bottom frame (B) with bolts (1), and washers (3) and (4) as shown below. Tighten with Allen key (5).
Attach support leg (G) to bottom frame (B) with bolts (1), and washers (3) and (4) as shown below. Tighten with Allen key (5).



STEP 4

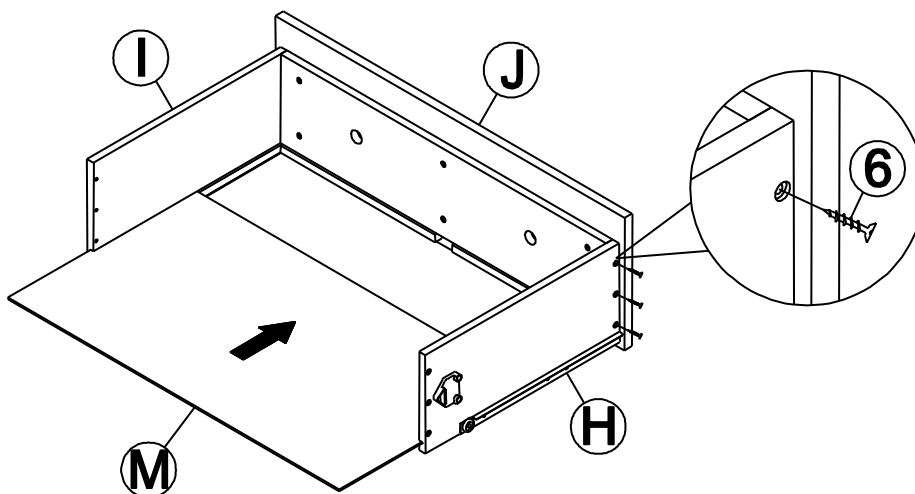
Attach back rail (E) to the unit with screws (6) as shown below .Tighten with a screwdriver.



STEP 5

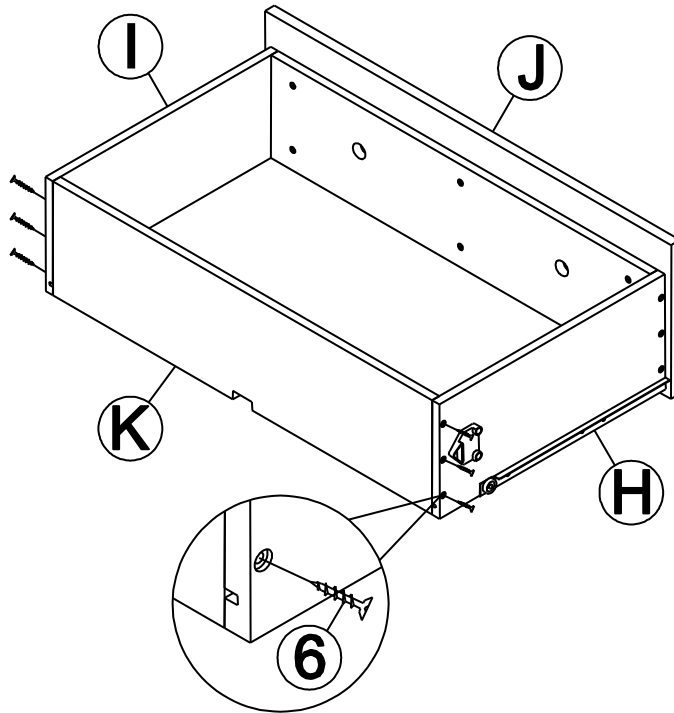
Attach drawer sides (H) and (I) to drawer fronts (J) with screws (6) as shown below. Tighten with a screwdriver.

Insert drawer bottom (M) into the grooves at bottom of drawer sides and drawer front as shown below.



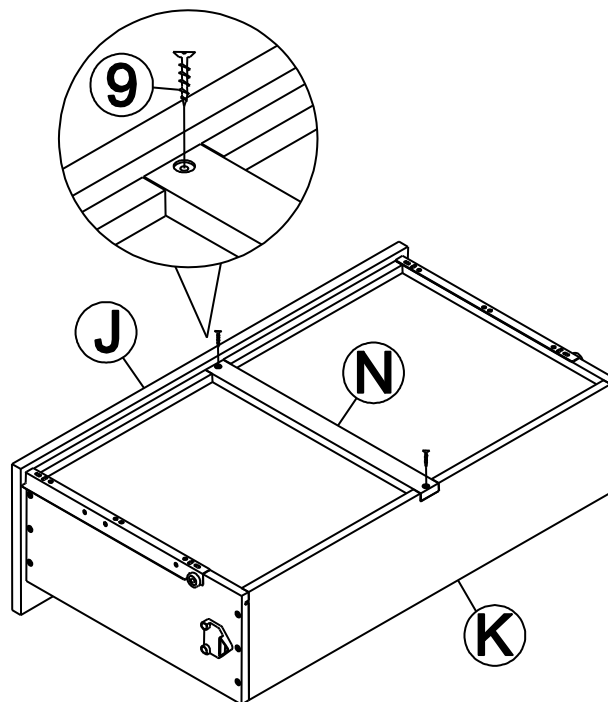
STEP 6

Attach drawer back (K) to drawer sides (H) and (I) with screws (6) as shown below. Tighten with a screwdriver.



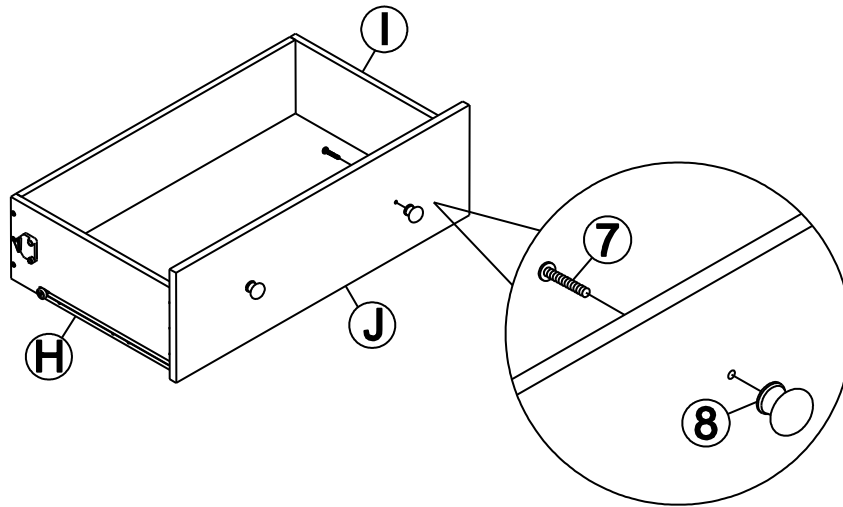
STEP 7

Attach support bars (N) to bottom of drawers with screws (9) as shown below. Tighten with a screwdriver.

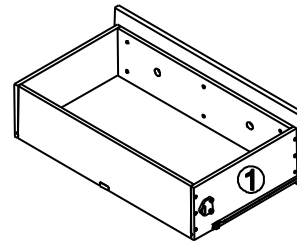
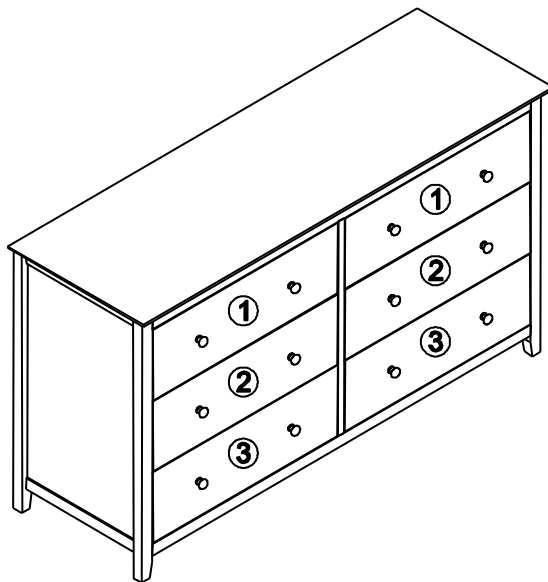


STEP 8

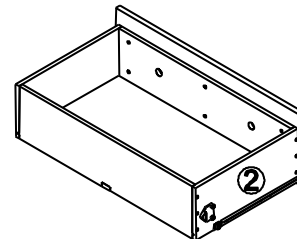
Attach knobs (8) to front of drawers with pan head screws (7) as shown below. Tighten with a screwdriver.



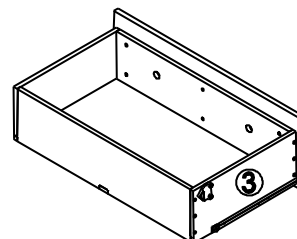
***NOTE:**



DRAWER 1st
(LEFT AND RIGHT)
02 PCS



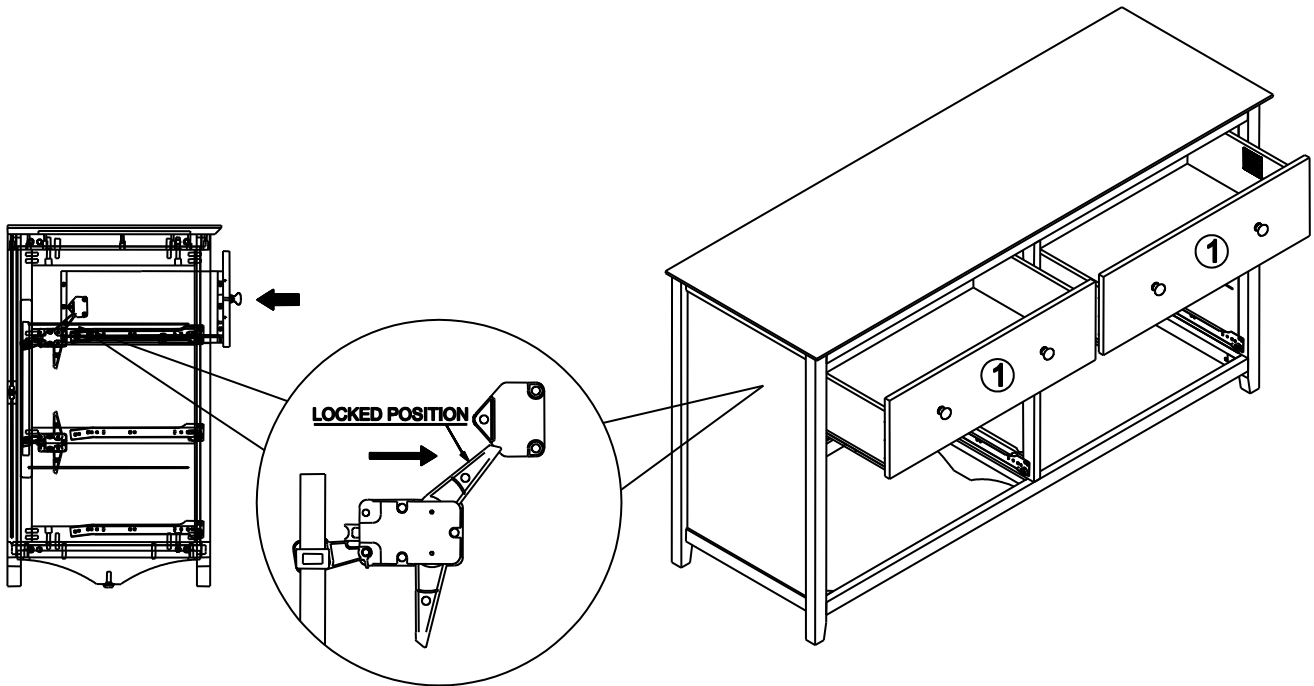
DRAWER 2nd
(LEFT AND RIGHT)
02 PCS



DRAWER 3rd
(LEFT AND RIGHT)
02 PCS

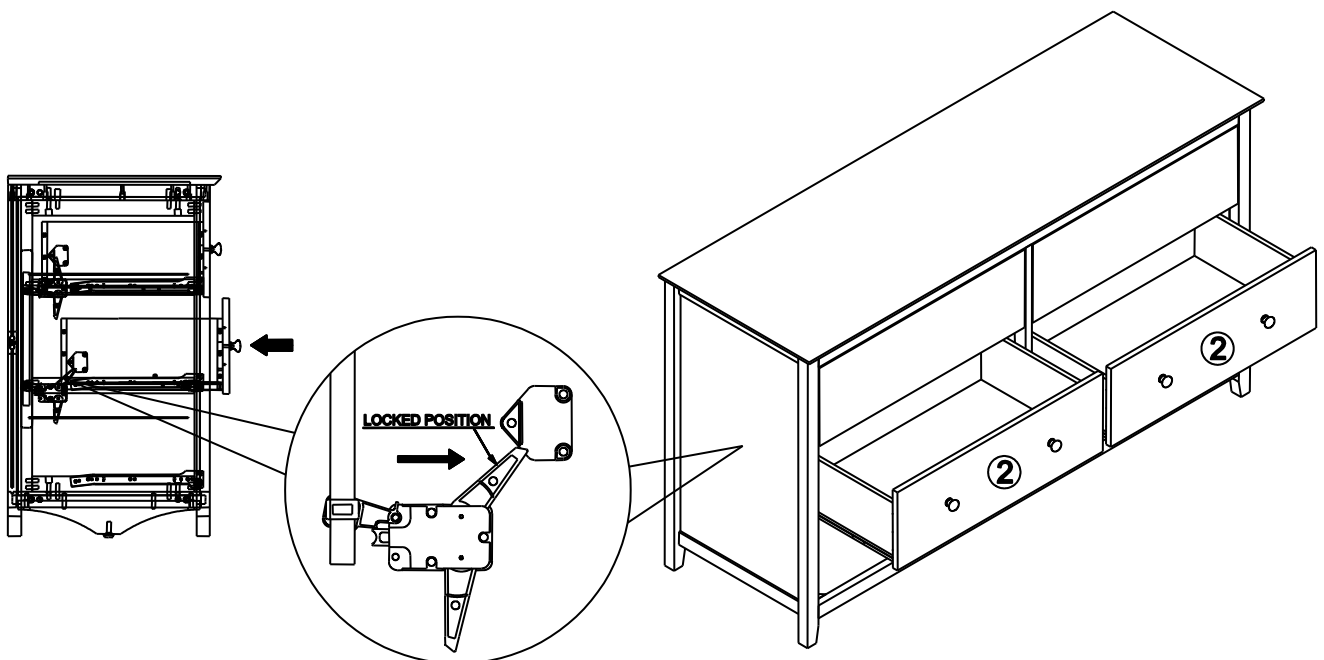
STEP 9

Move the arm of the Anti-tip Snapper to the forward locked position, then install two upper drawers as shown below.



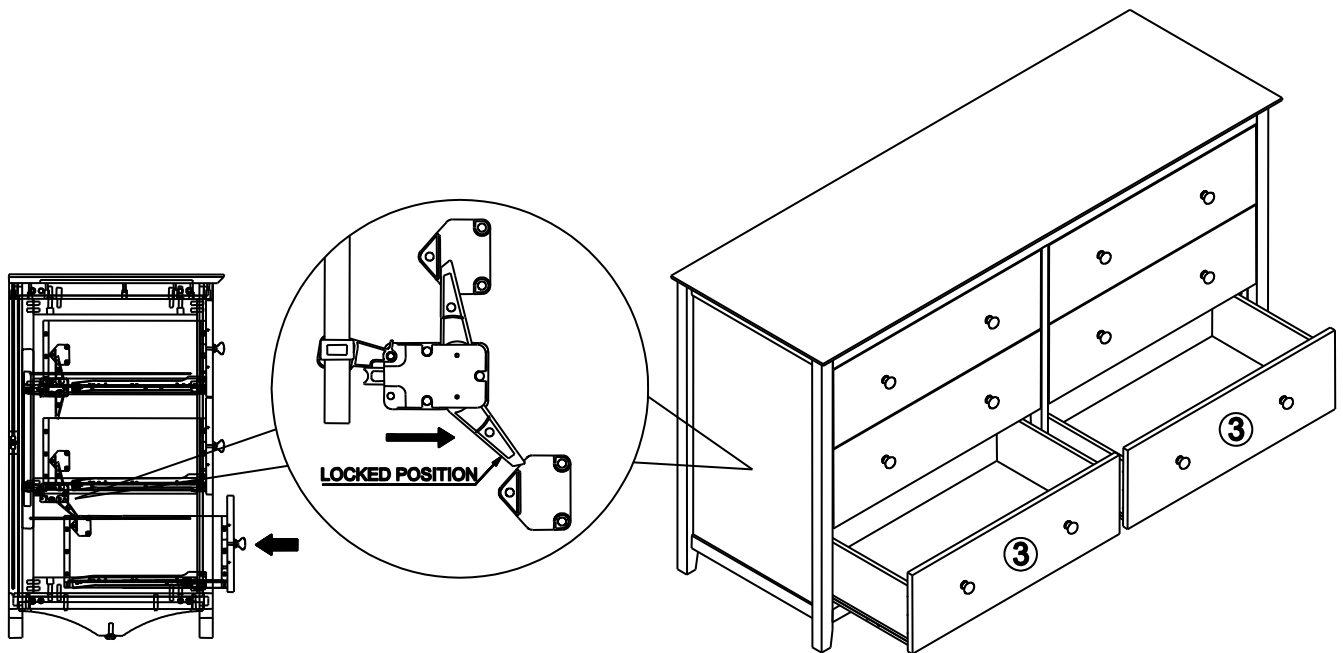
STEP 10

Move the arm of the Anti-tip Snapper to the forward locked position, then install two middle drawers as shown below.



STEP 11

Move the arm of the Anti-tip Snapper to the forward locked position, then install two lower drawers as shown below.



STEP 12

Attach brackets (12) to the back of the unit with screws (10) through the smaller holes in the brackets as shown below.

Important!

Properly attach the other brackets (12) to the wall in an area of ***drywall or plaster with a wood stud***: Mark the attachment point(s) with a pencil at the appropriate height **positioned over the wood stud(s) in the wall**.

Place the unit into position so both mounting brackets are vertically in line.

Adjust the leveler to the appropriate height to level the unit.

Properly attach the other brackets (12) to the wall stud with screws (11) through the smaller holes as shown below.

Lace the end of flat nylon ties (13) through the larger holes in each mounting bracket. Bring both ends together and slide the flat ends through the locking ends and draw it through until all slack is removed.

Confirm that the strap is securely laced and locked.

