

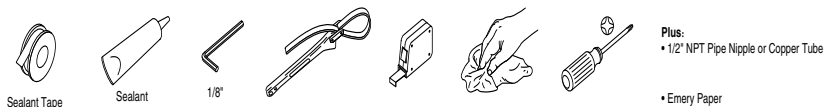


## 1、Installation Precautions

- When you open the product packaging, please check the product and accessories at first. If there is any discrepancy, please contact the company or our distributor immediately.
  - The hot and cold water supply pipe of the faucet must be properly connected.
  - When facing the front of the faucet, the hot water supply is on the left and cold water supply is on the right. Incorrect connection will cause permanent damage to the cartridge.
- If the accessories to be changed without affecting the use, we will not make a prior notice.
- The impurities in the water supply pipe must be cleared before installation to avoid blockage.
  - The water pressure of the faucet is 0.05MPa-1.0MPa (including cold water and hot water pressure). Applicable water temperature range: 39°F - 194°F

## 2、Preparation before installation

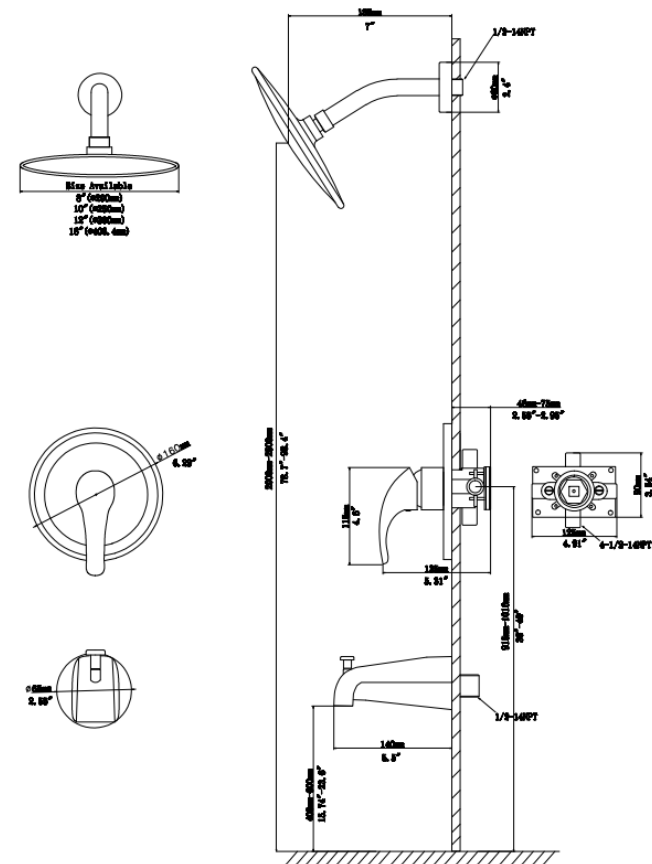
- Please read the installation manual carefully before installation.
- Installation work must be performed by a professional installer.
- Installation tool:



**WARNING: Risk of scalding.** High water temperature can cause severe burns. Set the water temperature at or below 120°F (49°C) following the adjustment procedure in the valve Installation and Care Guide.

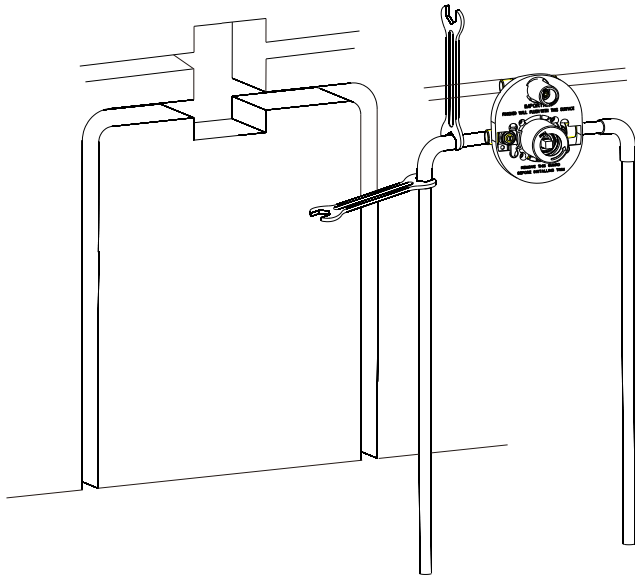
## 3、Packing and Drawing

Packing List					
Item No.	Product Name	QTY	Item No.	Product Name	QTY
1	Shower Head	1 Pcs	5	Shower Arm Flange	1 Pcs
2	Body Valve	1 Pcs	6	Valve Panel	1 Pcs
3	Shower Arm	1 Pcs	7	Screw Set	1 Pack
4	Hand Lever	1 Pcs	8	Shower faucet	1 Pcs



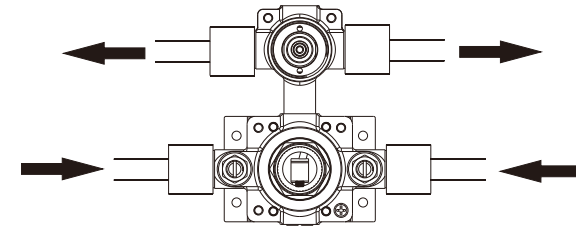
#### 4、 Pipe connection

- 1、 Please drill the holes on the wall for the main body embedded part, hot and cold water inlet pipes as well as shower arm connection pipes according to the basic product dimension drawing as below.
- 2、 Please make hot and cold water inlet pipe, the mixed water outlet pipe connect with control valve, and tighten with the wrench



#### 5、 Water testing and sealing testing

- 1、 After the pipe connection is completed, open the protective panel and cover, and then open the cartridge, flush the pipeline; then close the cartridge to check the pressure resistance and sealing performance of the pipeline, make sure there are no leakage.
- 2、 Block each outlet pipe with a stopper then open the cartridge to check if the pipe joint is well-sealed and the pipe condition under pressure to ensure no leakage.



Testing Purpose: Flush the impurities and sludge in the pipeline to avoid clogging and affect the effluent functions.

## 6、 Installation of the valve

Remove the plaster guard. Rotate the valve stem open.

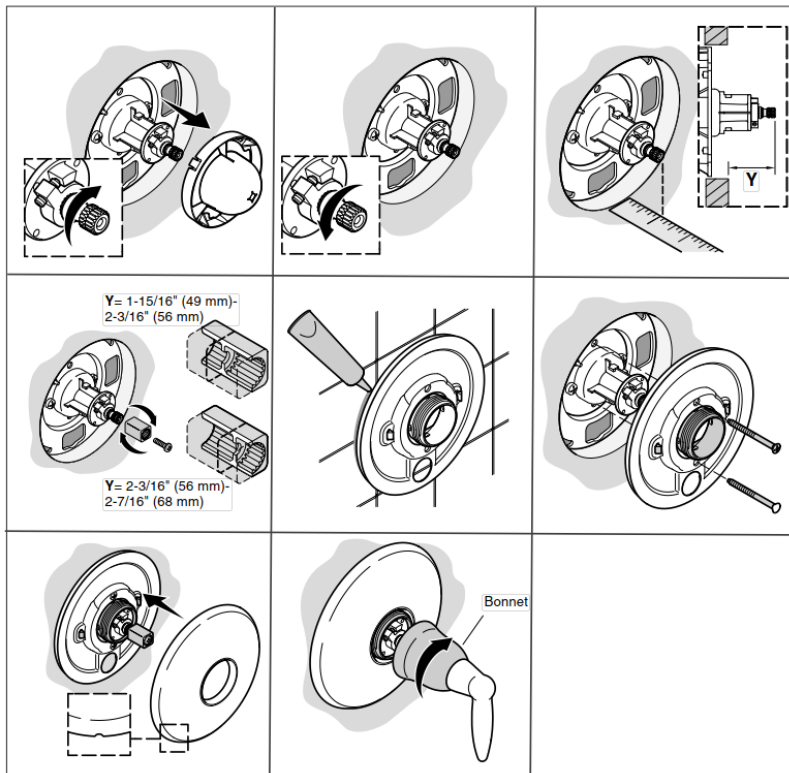
Rotate the valve stem closed. Measure “Y” from the finished wall.

Install the reversible adapter. Orient according to “Y.”

**Tiled Wall Installations Only:** Apply sealant to the back of the seal plate. **All Installations:** Install the seal plate.

Fit the faceplate over the seal plate with the notch down.

Point the handle down. Handtighten the bonnet onto the retainer.



## 7、 Installation of showerhead and faucet

Run water to remove debris. Apply sealant tape. Install the showerhead.

**Slip-Fit Spout:** Install the tube 4-1/4" (108 mm) from the wall.

Use emery paper to remove burrs. Clean debris.

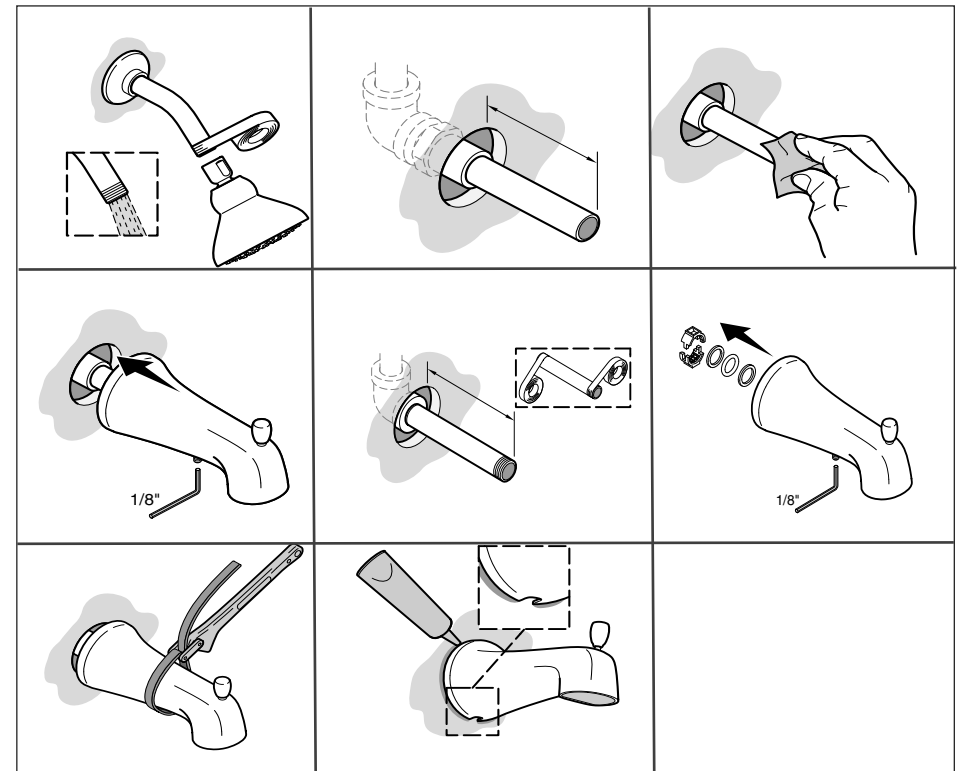
Loosen the setscrew. Install the spout. Tighten the setscrew.

**Threaded Spout:** Apply sealant tape to a 1/2" nipple. Install 4-1/4" (108 mm) from the finished wall.

Loosen the setscrew and remove the slip-fit assembly.

Use a strap wrench to install the spout.

**All Installations:** Apply sealant, leaving a gap at the bottom. Wipe away excess.



## Clean and maintain product

### How to clean shower head nozzles

1. Just rub the nozzles with your finger or toothbrush to loosen any deposits, and then run hot water for a few minutes.
2. Put the showerhead into a pot. Consider using a smaller container that just about fits the showerhead; this way, you will use less vinegar. You can also use a small bucket or plastic bin.

Fill the pot with enough white vinegar to cover the showerhead. The acids in the vinegar will help dissolve the white mineral deposits on the showerhead.

Let the showerhead soak in the vinegar for 30 minutes. The more soiled the showerhead is, the longer you will have to leave it the vinegar.

### Maintain Chrome and Brushed nickel finished product

1. To clean the products all you need is a high quality microfiber cloth.
2. Apply a high quality chrome cleaner to a clean cotton cloth, and wipe over the chrome. Leave as per product instructions, and then rinse with warm water. Gently remove any product residue using a dry chamois or paper towel.
3. How to Clean Chrome; Homemade Solutions. In addition to professional products, homespun solutions also have their place when breathing new life into dull chrome. Try this shortcut to achieving chrome cleaning nirvana:

Detergent and warm water! Submerge chrome-plated objects including pots and pans in a sink full of warm water. Add a half-cup of a high quality washing up detergent (Persil washing up liquid is good) and rub gently with a soft cotton cloth to avoid scratching the chrome. Use a scented detergent to leave kitchenware smelling fresh, as well as spotless.

1. If the above contents are not complete, the warranty will be considered invalid, please confirm the above contents when you purchase.
2. The free guarantee repairs are limited to the listed items on the warranty.
3. Within warranty period, if any technical faults occur, customer should present warranty and purchase invoice to retail shop or install for repair request.

## Guarantee Repairs Claims

1. Within warranty period, LORDEAR is responsible for repairing any defective product for free.
2. Please contact seller by email with this warranty and purchase invoice when the product needs guarantee repairs within warranty period.
3. Within warranty period, the listed situations below need to pay for replacement.
  - 3.1 The malfunction and damage caused by improper use and repair or reconstruct unauthorized. (forbid any throw, beat behavior)
  - 3.2 The malfunction and damage caused by not refer to instruction during installation.( forbid any unprofessional plumber install this product)
  - 3.3 The malfunction and damage caused by removing after installation or other factors.
  - 3.4 The malfunction and damage caused by application beyond the scope of usage.
  - 3.5 The damage caused by sands or dirty hands.
  - 3.6 The damage caused by daily improper maintenance and rust on finished and so on.
  - 3.7 The malfunction and damage caused by fires, earthquakes, floods, lightning and natural disasters, pollution, harmful gas, salt and abnormal voltage and other reasons.
  - 3.8 The occasions which purchase invoices are not presented.
4. The recommend water temperature of hand shower and rain shower head is  $\leq 42^{\circ}\text{C}$  with water pressure 0.1-0.3 Mpa. The highest temperature not suggest beyond  $70^{\circ}\text{C}$  with water pressure 0.05-0.5 Mpa. So any product equipped with shower, please keep it away from the heater to avoid potential risk.
5. This limited warranty applies only to the original purchaser and hotel business. It expressly excludes labor charges, removal charges, installation, or other incidental or consequential costs. Any inappropriate application will void the warranty.
6. This warranty can no be replaced if missed, please keep safe.
7. After-sales service e-mail:lordear.guo@gmail.com or call at 303-397-6818.