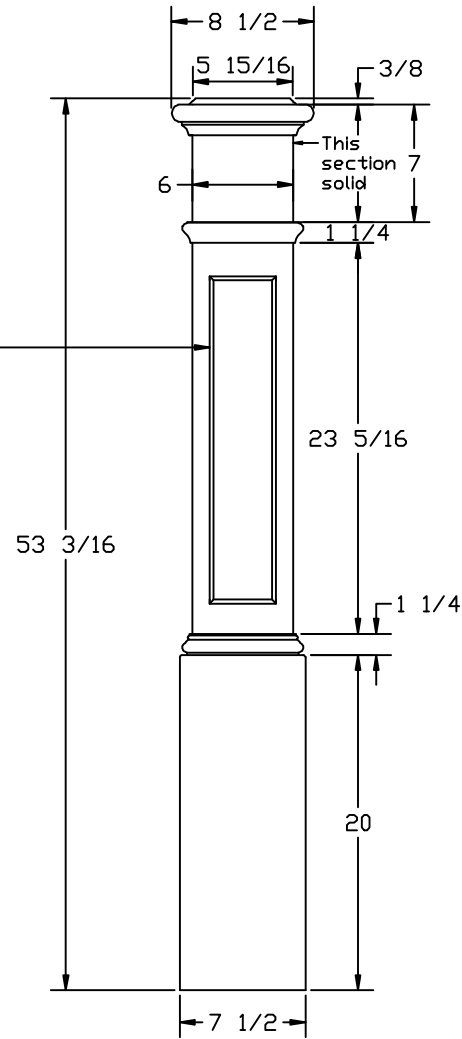



RECESSED PANEL
 3-15/16" WIDE x 19-1/2" LONG.



 35280 Scio-Bowenston Road Bowerston, OH 44695-9731 Phone (740) 269-4111 FAX (740) 269-9047 <small>This drawing is the property of L.J. Smith Co. Do not use or copy without permission from L.J. Smith.</small>			
Drawing Name			
LJ-4094 (RECESSED)			
Date	Scale	VEND	Drawn By
07/05/2006	DO NOT SCALE		EDH
File Name	DESTROY PREVIOUS PRINTS		LJ4094
LJ4094	SALES		LJ4094