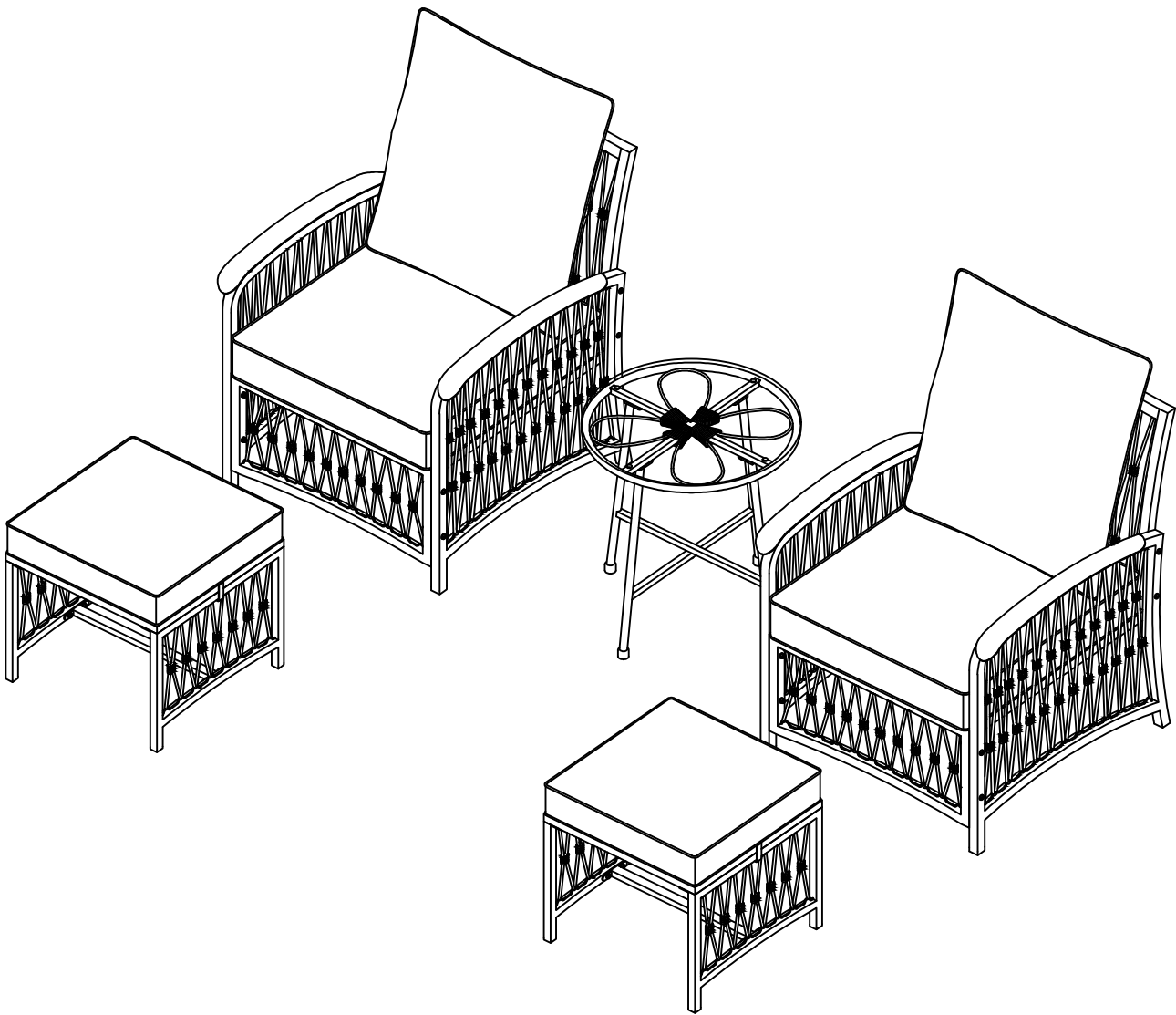


# PATIO FURNITURE SET

## ASSEMBLY INSTRUCTION-8024



If you have any questions, feel free to email us  
at [zzwservice@gmail.com](mailto:zzwservice@gmail.com)

# THANK YOU

zzwservice@gmail.com

## **Register and Get the Full Benefit**

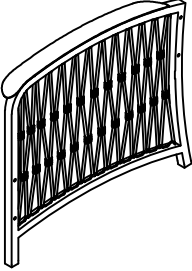
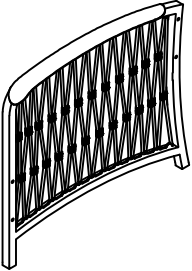
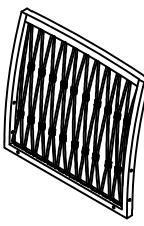
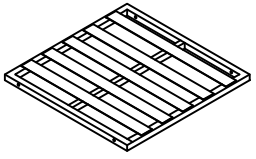
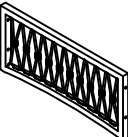
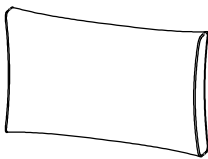
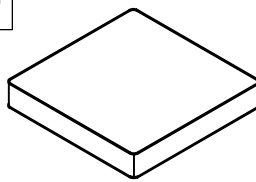
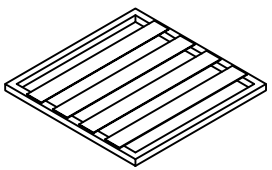
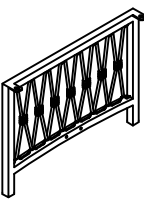
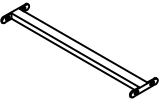
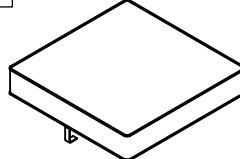
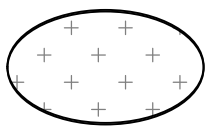
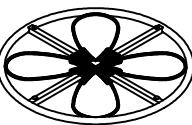
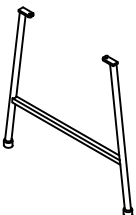
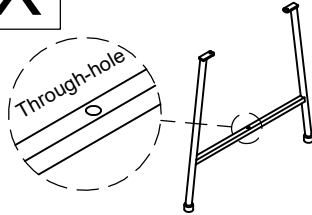
It's our way of saying thank you.

Register your product to enjoy a number of benefits:

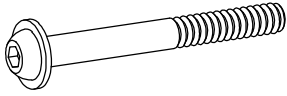
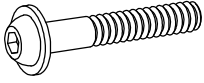
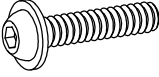
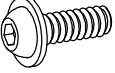


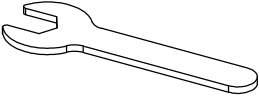
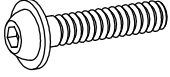
- (1) 1-year warranty extension
- (2) 24/7 quicker service and product support
- (3) Chance to test new products for free
- (4) Get specific discount on shop items

Register Way: Send " your name + order ID " to  
zzwservice@gmail.com

# Assembly Instruction

<p><b>A</b></p>  <p>Right armrest</p>	<p><b>B</b></p>  <p>left armrest</p>	<p><b>C</b></p>  <p>Single backrest</p>	<p><b>D</b></p>  <p>Single seat</p>
<p><b>2 PCS</b></p>	<p><b>2 PCS</b></p>	<p><b>2 PCS</b></p>	<p><b>2 PCS</b></p>
<p><b>E</b></p>  <p>Front panel</p>	<p><b>F</b></p>  <p>Big back cushion</p>	<p><b>G</b></p>  <p>Foot rest cushions</p>	<p><b>L</b></p>  <p>Ottoman top panel</p>
<p><b>2 PCS</b></p>	<p><b>2 PCS</b></p>	<p><b>2 PCS</b></p>	<p><b>2 PCS</b></p>
<p><b>M</b></p>  <p>Ottoman leg</p>	<p><b>N</b></p>  <p>Ottoman link bar</p>	<p><b>O</b></p>  <p>Ottoman cushion</p>	<p><b>U</b></p>  <p>Glass</p>
<p><b>4 PCS</b></p>	<p><b>2 PCS</b></p>	<p><b>2 PCS</b></p>	<p><b>1 PC</b></p>
<p><b>V</b></p>  <p>Table rack</p>	<p><b>W</b></p>  <p>Table leg 1</p>	<p><b>X</b></p>  <p>Table leg 2</p>	
<p><b>1 PC</b></p>	<p><b>1 PC</b></p>	<p><b>1 PC</b></p>	

# Assembly Instruction

<b>#1</b>  Screw M6*60 (mm)	<b>#2</b>  Screw M6*40 (mm)	<b>#3</b>  Screw M6*20 (mm)	<b>#4</b>  Screw M6*15 (mm)
<b>20 PCS</b>	<b>4 PCS</b>	<b>16 PCS</b>	<b>4 PCS</b>
<b>#5</b>  Anti-slip nuts M6 (mm)	<b>#6</b>  Allen key 4# (mm)	<b>#7</b>  Wrench 10# (mm)	<b>#8</b>  Screw M6*25 (mm)
<b>20 PCS</b>	<b>1 PC</b>	<b>1 PC</b>	<b>1 PC</b>

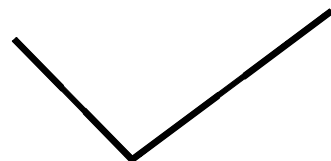
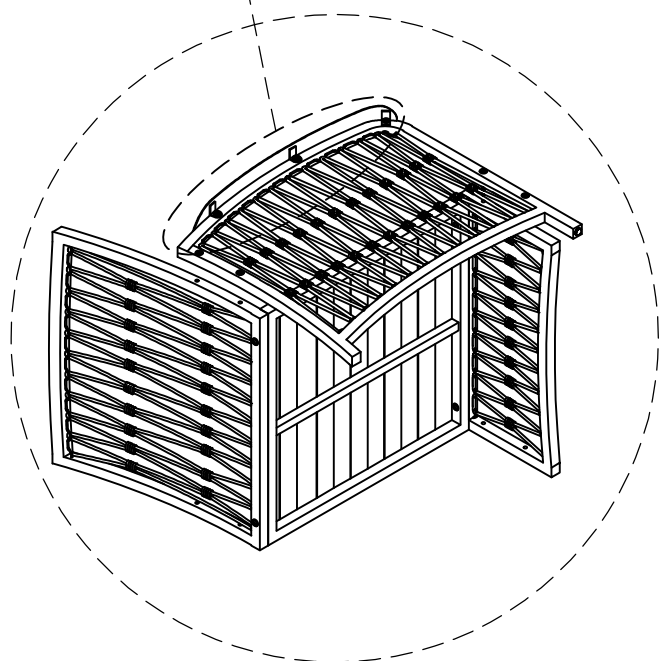
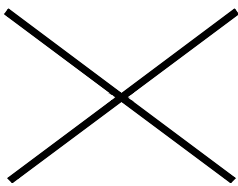
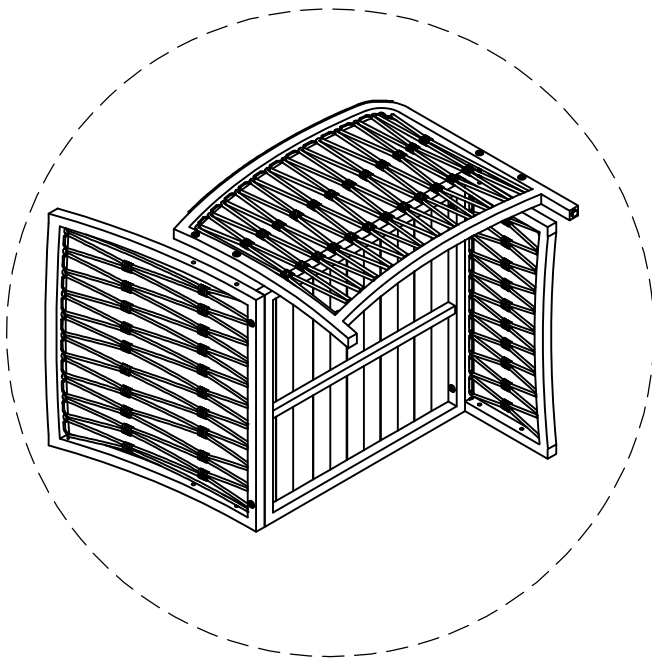
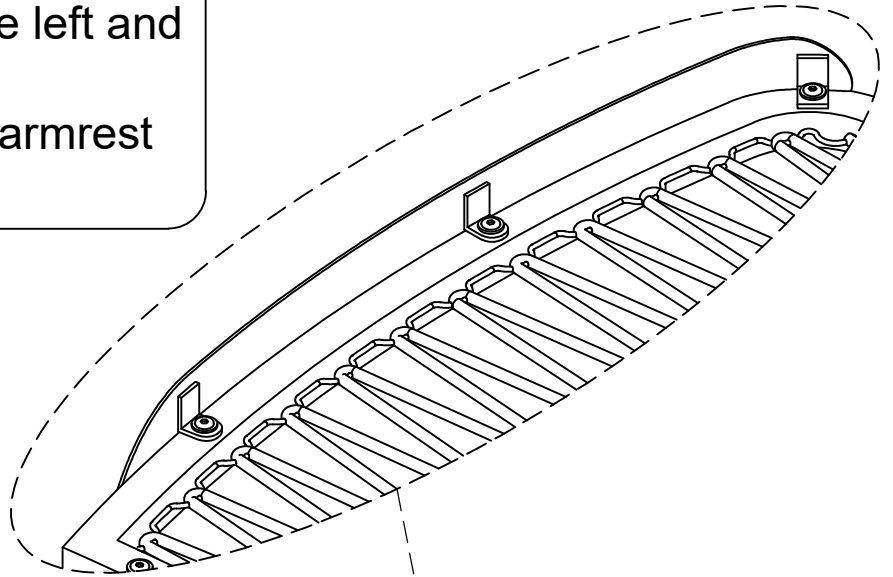


## NOTICE

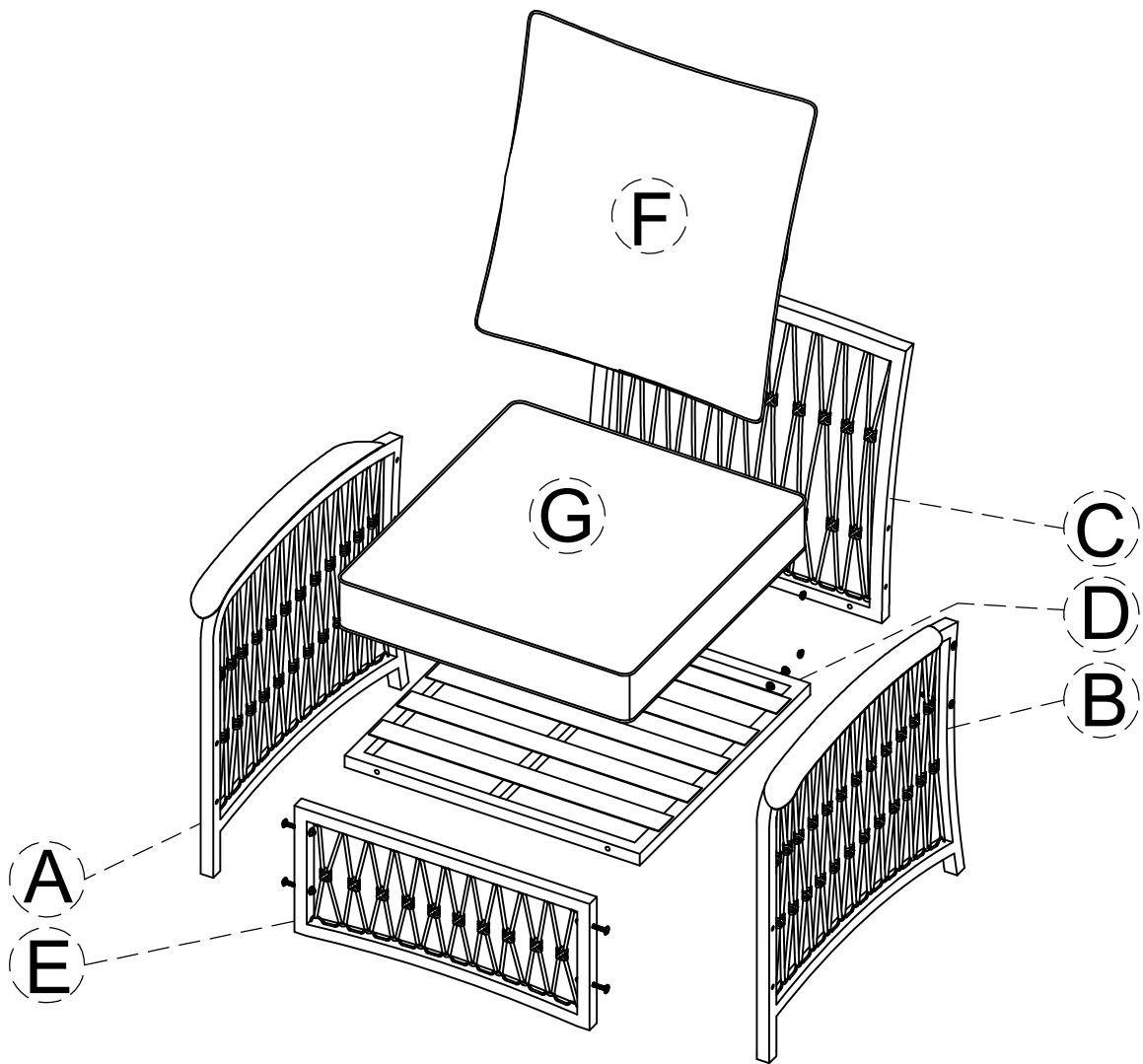
1. Please assemble according to the installation steps in the manual.
2. During the assembly process, please tighten the screws by 80%. After all the screws are assembled, they can be tightened by 100%.
3. During assembly, please install it on the carpet or soft grass to avoid product damage. Thank you.

# Assembly Instruction

1. Please pay attention to the correct installation of the left and right armrests.
2. The metal part of the armrest faces outwards.



# Assembly Instruction-Single chair



**X2**

# Assembly Instruction-Single chair

## STEP 1

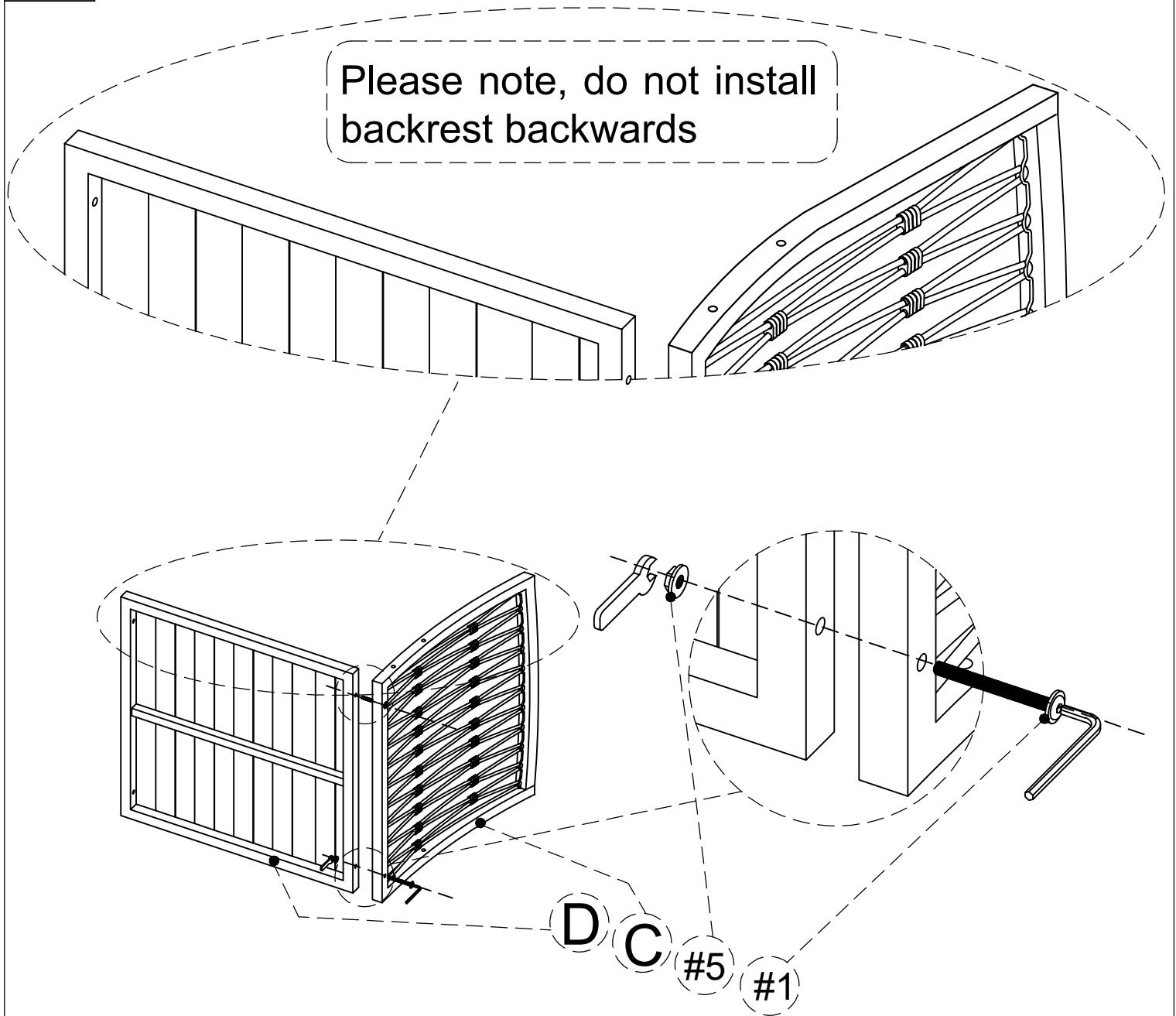
C × 1

D × 1

#1 × 2

#5 × 2

Please note, do not install  
backrest backwards



Install the screws to 80%, do not tighten

# Assembly Instruction-Single chair

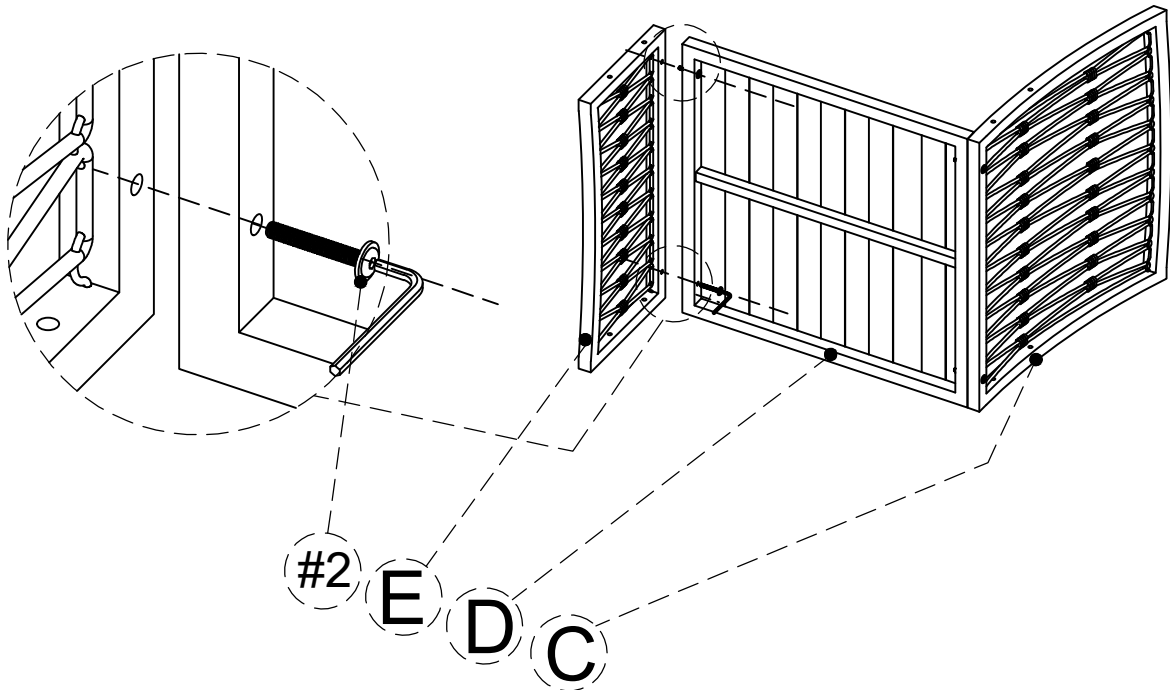
## STEP 2

C × 1

D × 1

E × 1

#2 × 2



Install the screws to 80%, do not tighten

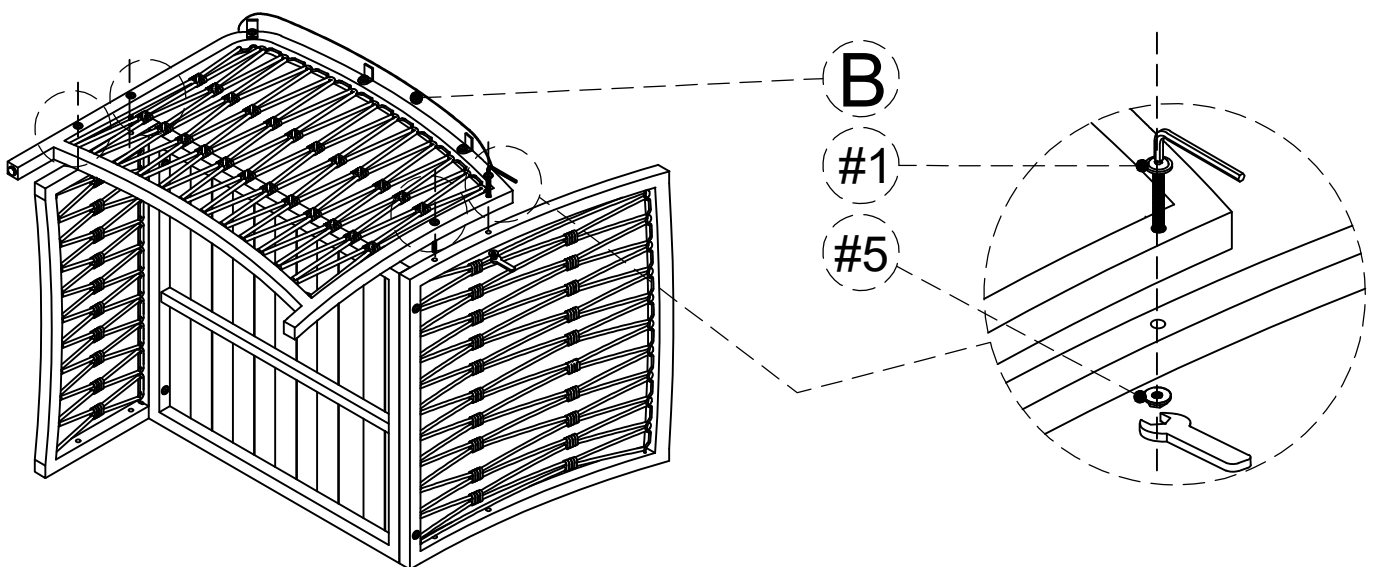
## STEP 3

B × 1

#1 × 4

#5 × 4

1. Please pay attention to the correct installation of the left and right armrests.
2. The metal part of the armrest faces outwards.



Install the screws to 80%, do not tighten

# Assembly Instruction-Single chair

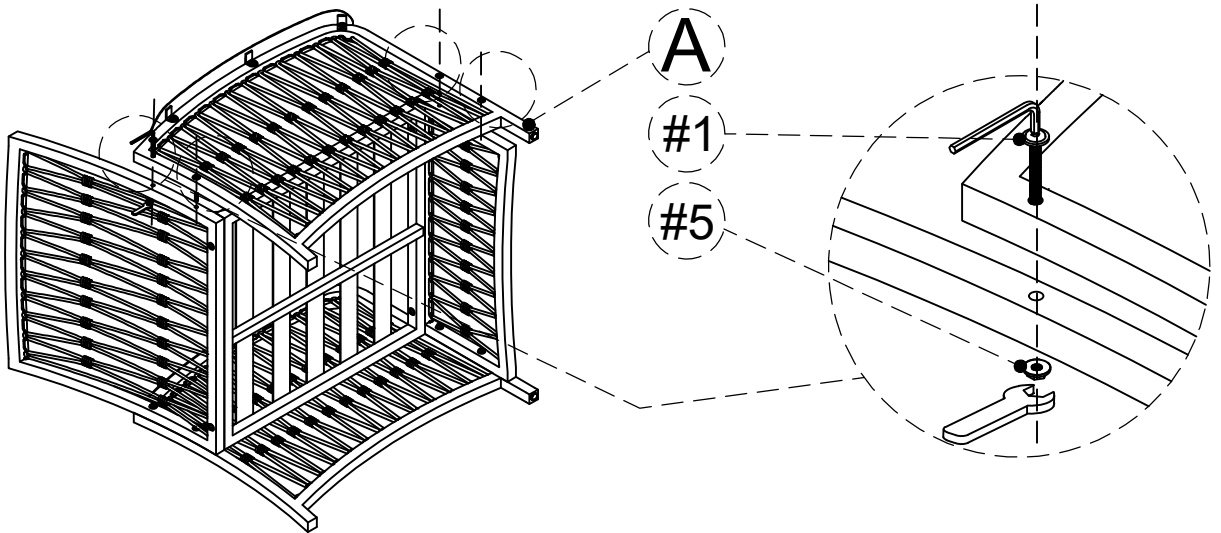
## STEP 4

A ×1

#1×4

#5×4

1. Please pay attention to the correct installation of the left and right armrests.
2. The metal part of the armrest faces outwards.



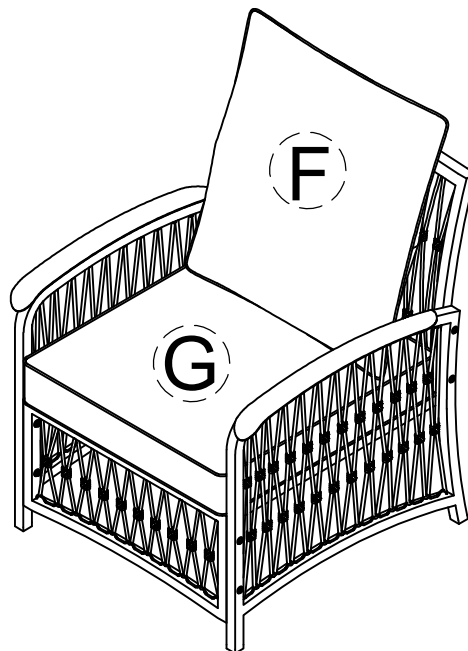
Install the screws to 100%

## STEP 5

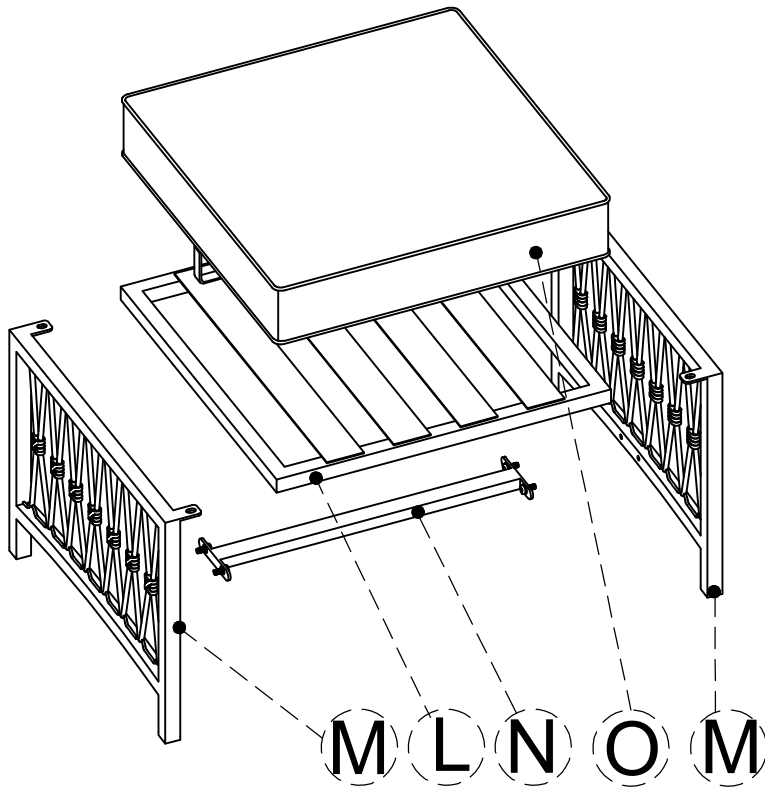
G ×1

F ×1

All vacuum-compressed cushions need to spring back over time. To accelerate the spring back by unzipping and tapping the cushion. Thank you for your patience.



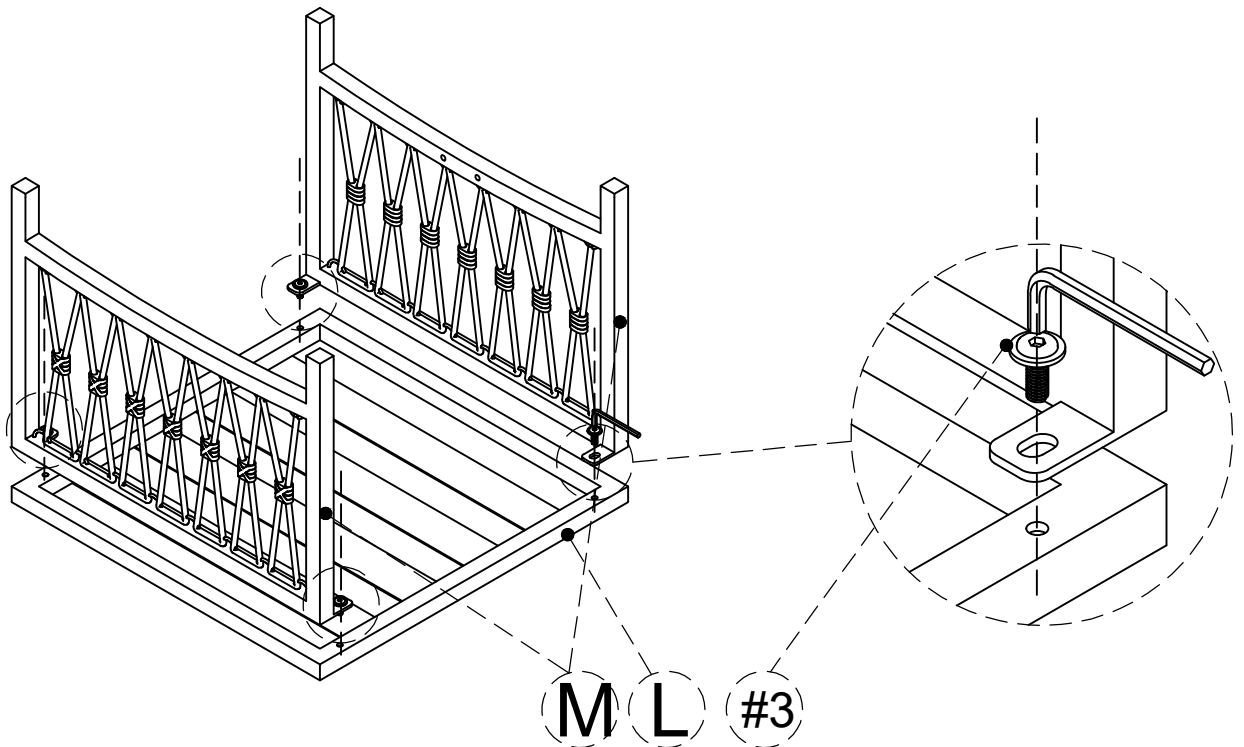
# Assembly Instruction-Ottoman



**X2**

## STEP 1

L x1  
M x2  
#3 x4



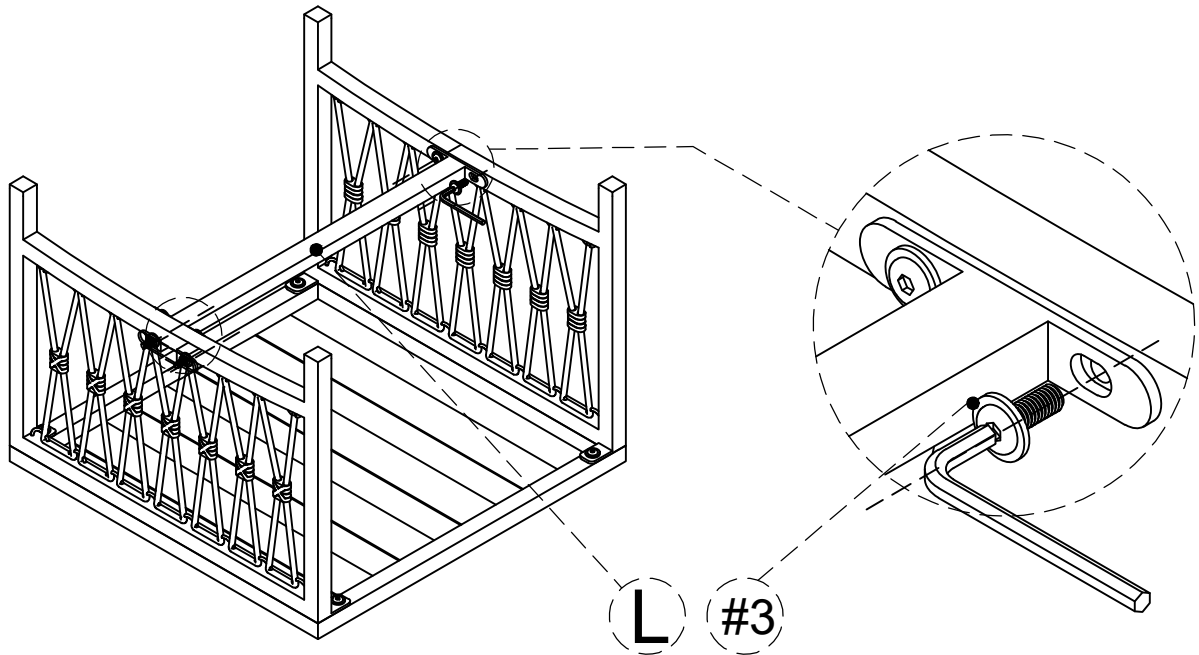
Install the screws to 80%, do not tighten

# Assembly Instruction-Ottoman

## STEP 2

N x 1

#3 x 4

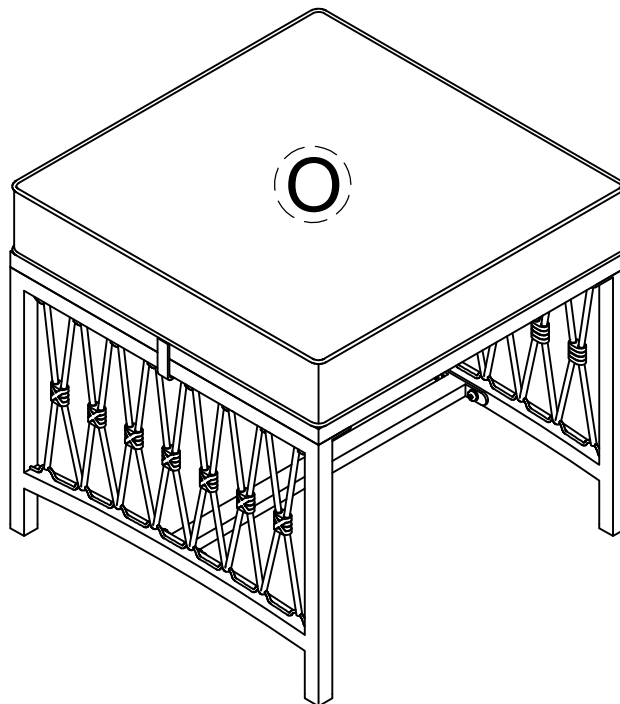


Install the screws to 100%

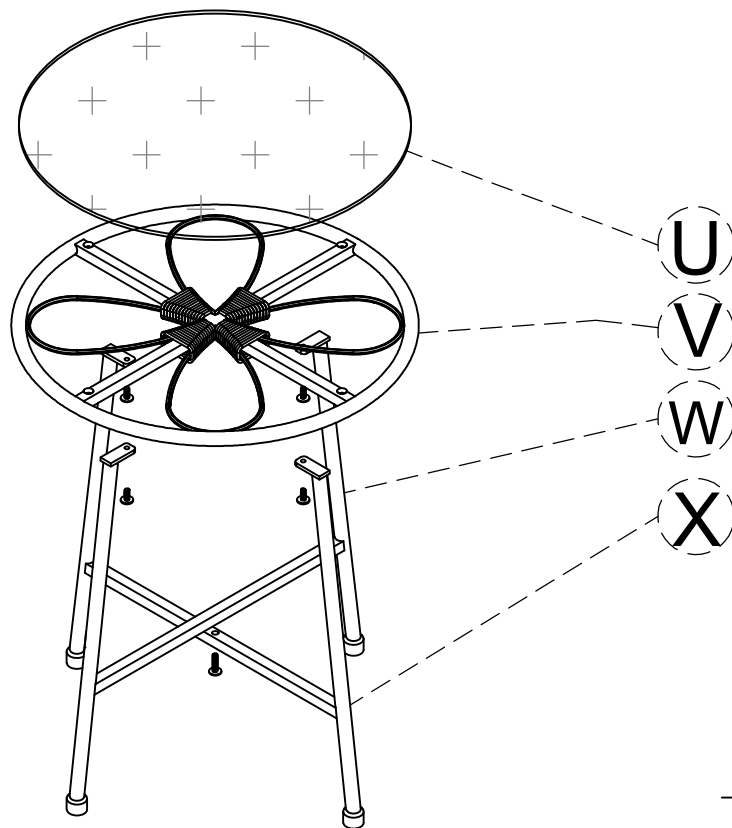
## STEP 3

O x 1

All vacuum-compressed cushions need to spring back over time. To accelerate the spring back by unzipping and tapping the cushion. Thank you for your patience.

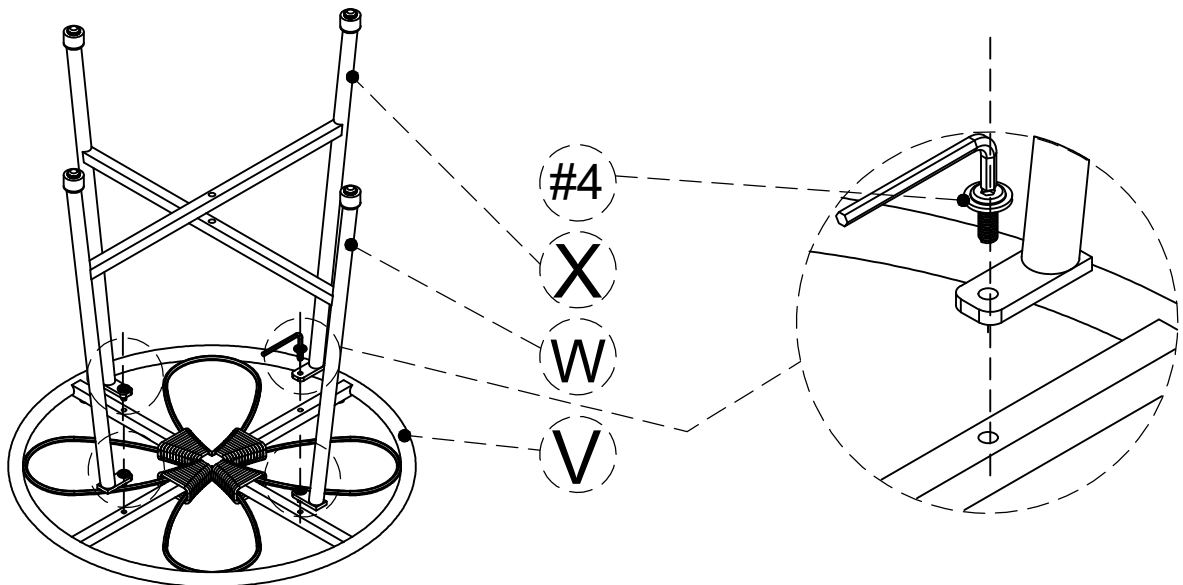


# Assembly Instruction-Table



## STEP 1

- V x1
- W x1
- X x1
- #4 x4

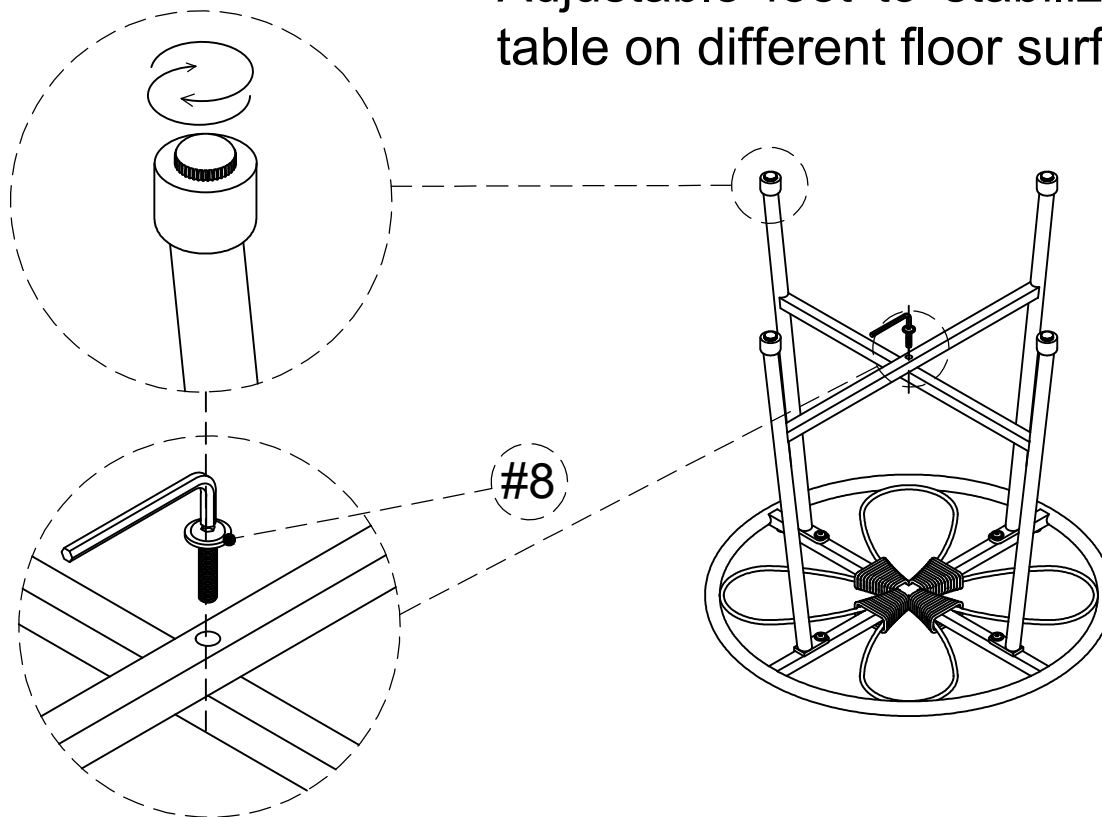


# Assembly Instruction-Table

## STEP 2

#8 x1

Adjustable feet to stabilize the table on different floor surfaces



## STEP 3

U x1

