

# INSTALLATION GUIDE FOR ASH33333C0

## SAFETY INFORMATION

Released Date: 2021-09-17

Please read and understand this entire manual before attempting to assemble, install or operate the product.

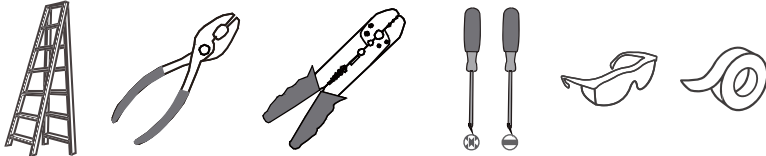
### WARNING

- RISK OF ELECTRIC SHOCK - Before beginning installation, turn off electricity at the circuit breaker box or the main fuse box.
- RISK OF FIRE - Use bulbs specified by the markings and/or labels on the fixture.

### CAUTION

- For your safety, read instructions completely before beginning installation.
- If in doubt about electrical installation, consult a licensed electrician.
- Turn off electricity to fixture before replacing the bulb(s).

### TOOLS REQUIRED

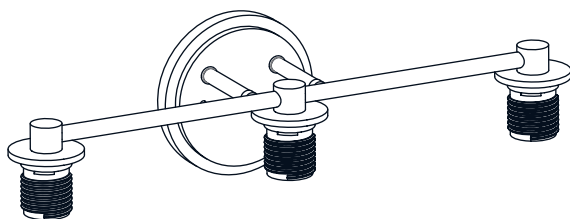


## CARE AND MAINTENANCE

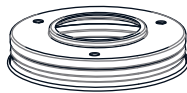
- Wipe clean using soft, dry cloth or static duster. Always avoid using harsh chemicals and abrasives to clean fixture as they may damage the finish.

If you need further assistance email [customer care@ashleyharbour.com](mailto:customer care@ashleyharbour.com).

## PACKAGE CONTENTS



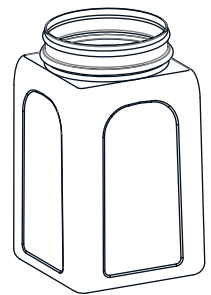
**A** Fixture Body  
x 1



**B** Glass Holder  
x 3

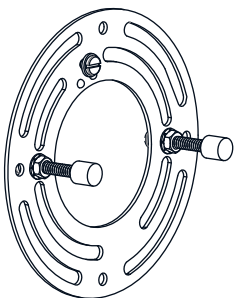


**C** Socket Collar  
[pre-assembled to  
Fixture Body]  
x 3



**D** Glass Shade  
x 3

## MOUNTING HARDWARE



**AA** Crossbar Assembly  
x 1



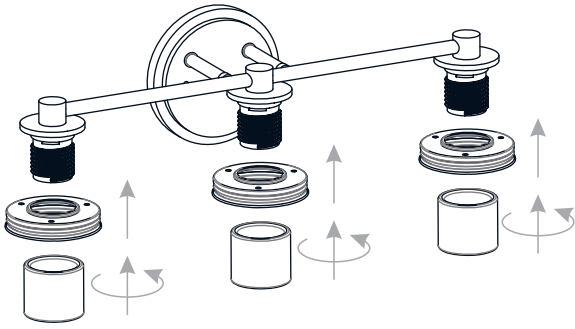
**BB** Wire Connector  
x 3



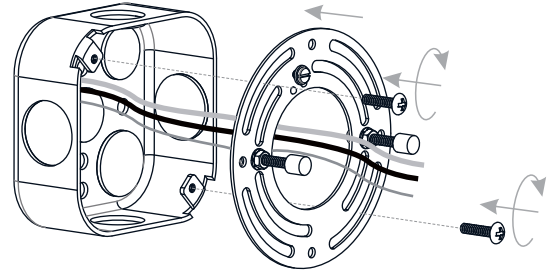
**CC** Outlet Box Screw  
x 2

# INSTALLATION

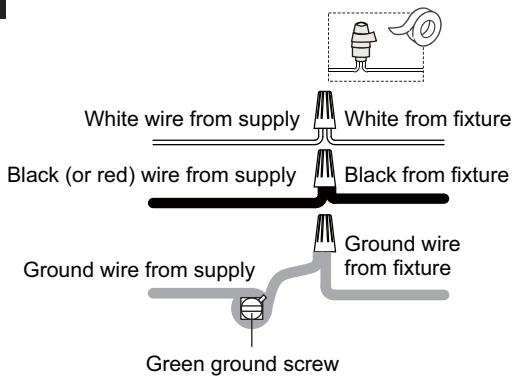
## 1 Install Glass Holders



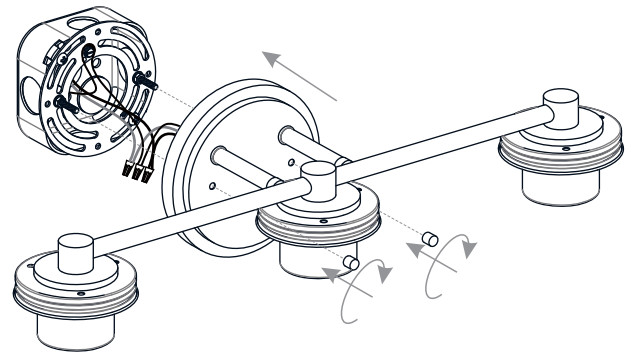
## 2 Install Crossbar Assembly



## 3 Wiring



## 4 Install Fixture Body



## 5 Install Bulbs and Glass Shades



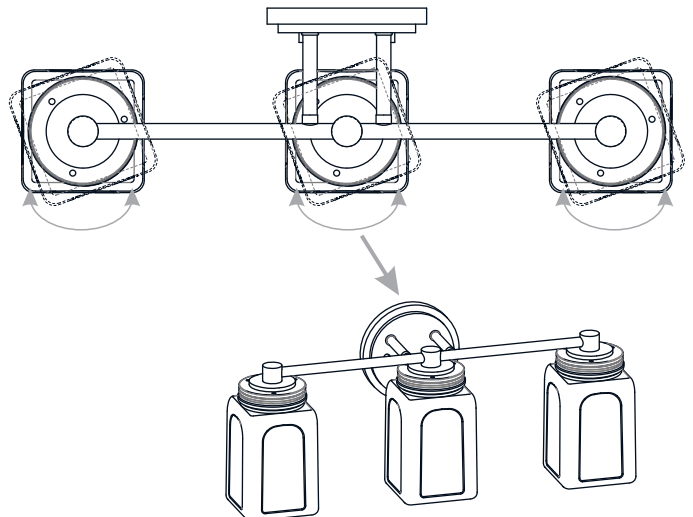
Install three correct bulbs referring to fixture markings and/or labels for maximum wattage.

**Recommended Bulb Type (not included):**



## 6 Adjust Glass Shades with Glass Holder

If necessary, adjust the glass shade with glass holder until it is parallel to the backplate.



**Your installation is now complete! Restore electricity and save this sheet for future reference.**