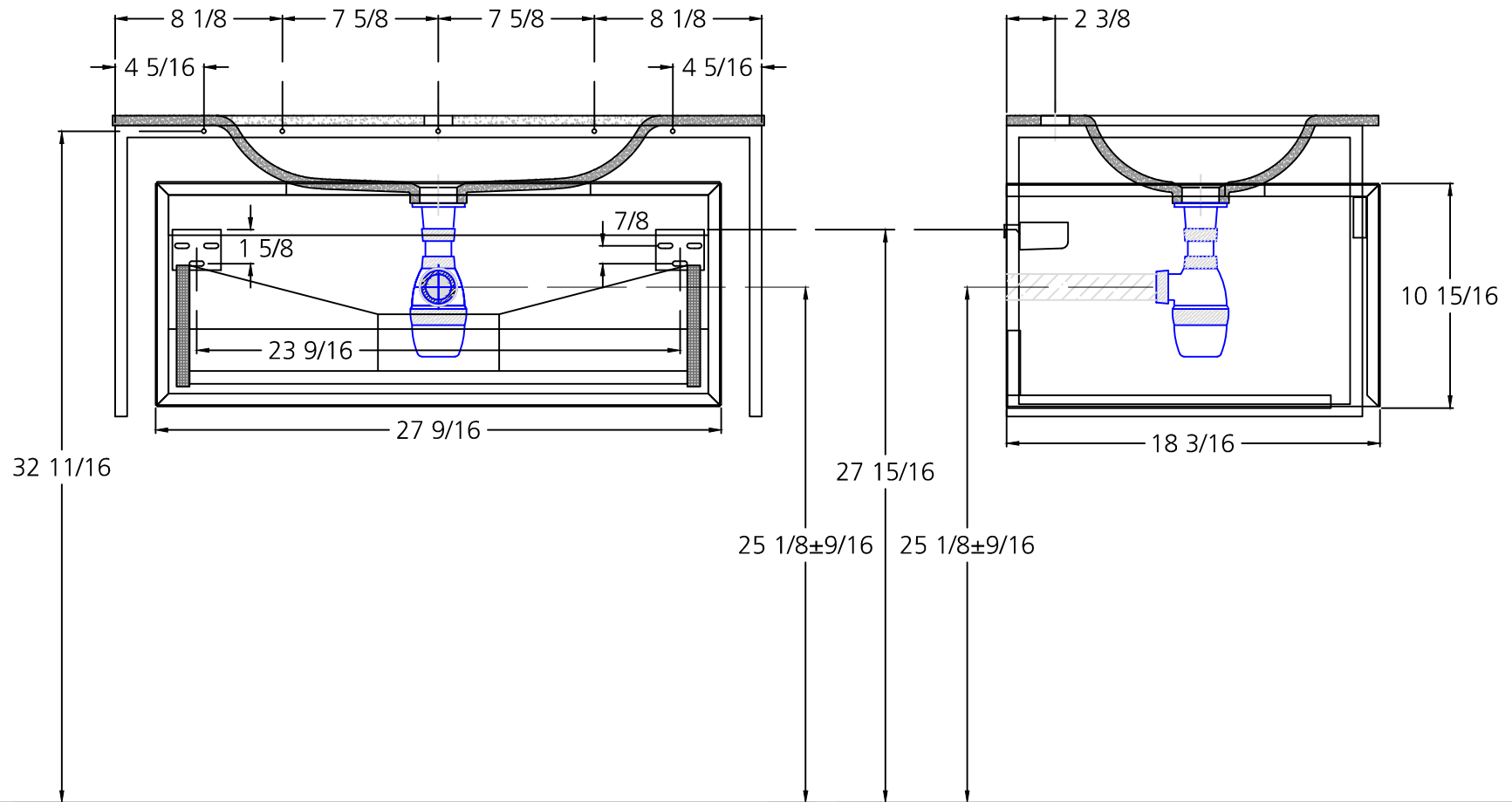
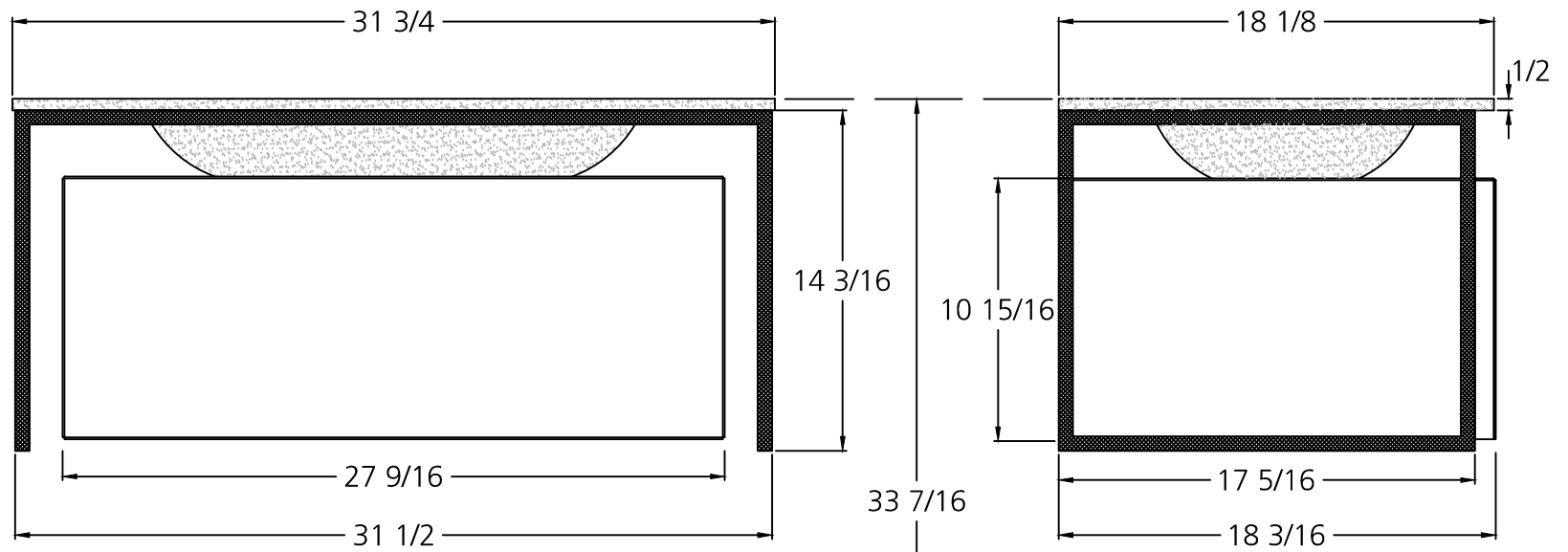


Water Outlets / Wall Fixings



Sink Tolerance $\pm \frac{1}{2}$ "
Height Tolerance $\pm \frac{1}{4}$ "



Sink Tolerance $\pm \frac{1}{2}$ "
 Height Tolerance $\pm \frac{1}{4}$ "