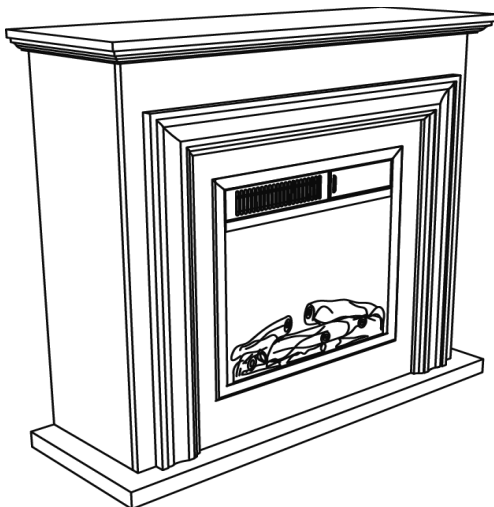


# IMPORTANT INSTRUCTIONS AND OPERATING MANUAL

---



## M1804 ELECTRIC FIREPLACE

THIS INSTRUCTION BOOKLET CONTAINS IMPORTANT SAFETY INFORMATION. PLEASE READ AND KEEP FOR FUTURE REFERENCE.

---

### Do Not Return This Product!

Contact our customer service team for help first.

Call: 213-4467172 or 661-4358826

Monday - Sunday 8:30 am - 5:30 pm P.S.T

ROWAN ELECTRIC APPLIANCE LLC 28407 Ascent Way,  
Santa Clarita, CA 91350



## WARNING

- Unit can tip over causing severe injury or death.
- Anchor unit to study on wall (if instructed to).
- Do Not allow children to climb on unit.
- Put heavy items on lower shelves or drawers.



CERTIFIED UNDER CANADIAN AND  
AMERICAN NATIONAL STANDARDS: ETL





# Contact Us !

## DO NOT RETURN THIS PRODUCT!

Contact our friendly customer service team first for help.

**Call: 213-4467172 or 661-4358826**

( 8:30 am - 5:30 pm P.S.T )

DATED PROOF OF PURCHASE REQUIRED FOR WARRANTY SERVICE.

## [ Helpful Hints ]

**PEOPLE NEEDED FOR ASSEMBLY: 1-2  
ESTIMATED ASSEMBLY TIME: 1 HOUR**

-Open your item in the area you plan to keep it to avoid excessive heavy lifting.



-Identify, sort and count the parts before attempting assembly.



-Make sure to always face the point on the top of the Cam Lock towards the outer edge.



-Use all the nails provided for the back panel and spread them out equally.



-Back panel must be used to make sure your unit is sturdy.

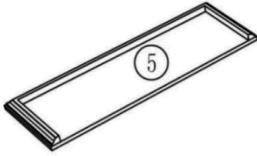


-Do NOT use harsh chemical or abrasive cleaner on this item.

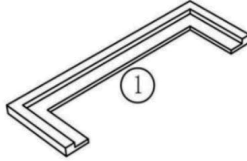
-Never push, pull, or drag your furniture.



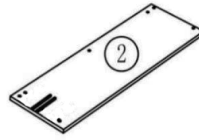
# PACKING LIST



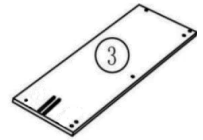
TOP



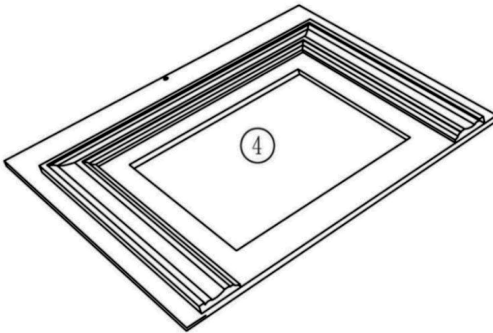
BOTTOM



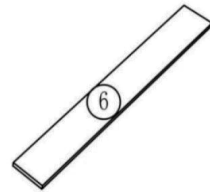
SIDE PANEL



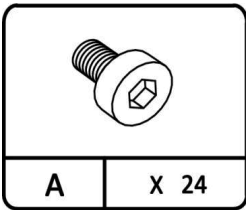
SIDE PANEL



FRONT

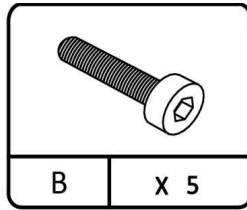


RAIL



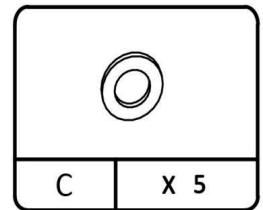
A X 24

M6X1.2 SCREW



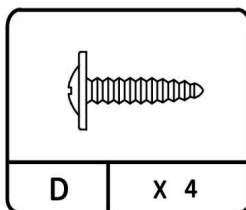
B X 5

M6X2.8 SCREW



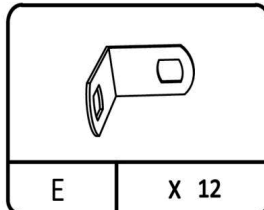
C X 5

WASHER



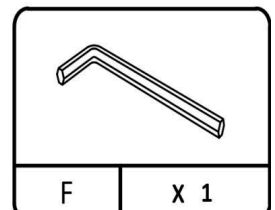
D X 4

ST4.2X12 SCREW



E X 12

L SHAPE BRACKET

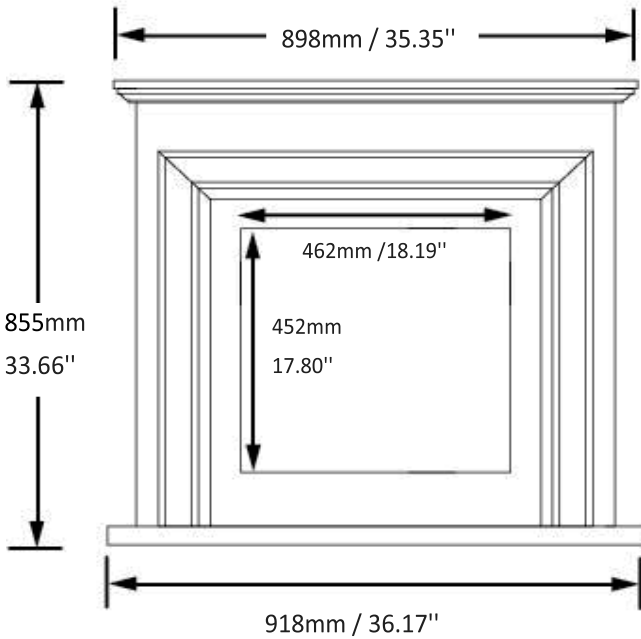


F X 1

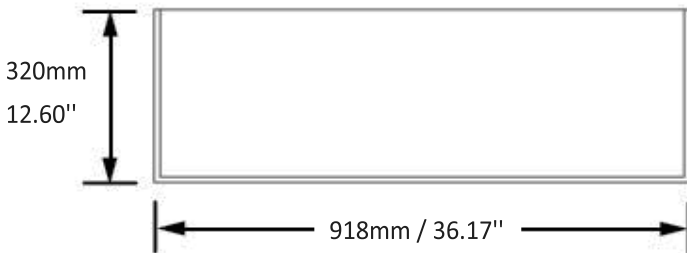
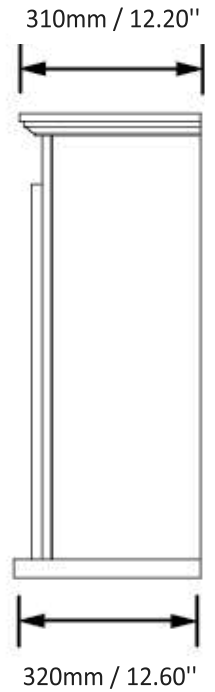
ALLEN KEY

# DIMENSIONS

## FRONT



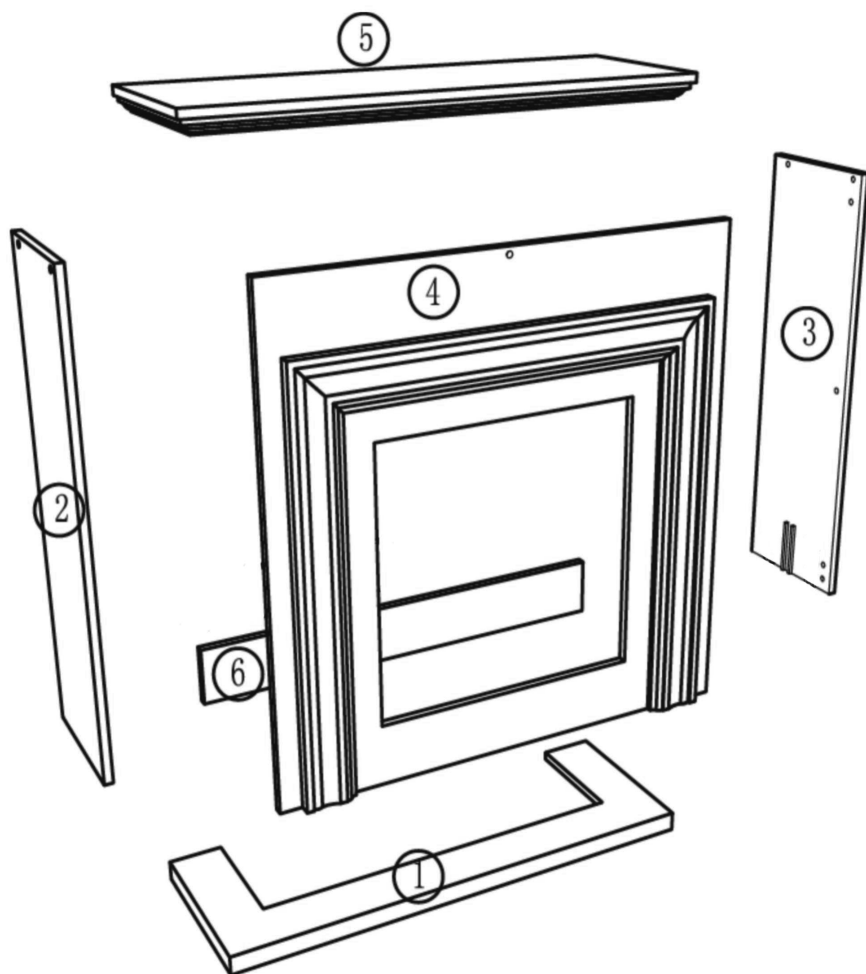
## SIDE



## TOP

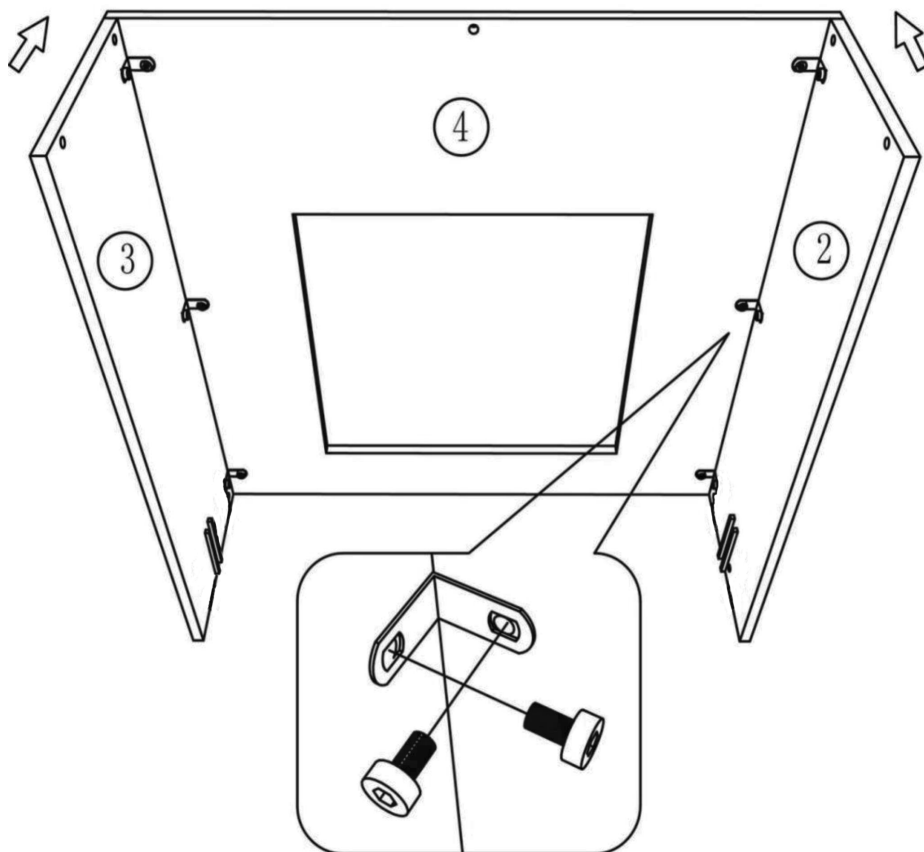
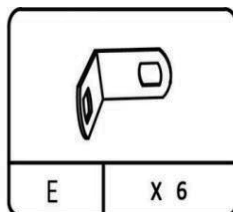
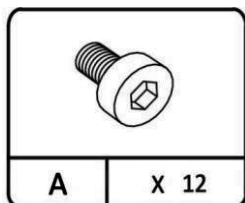
# ASSEMBLY

Before installing this fireplace, please read the following steps carefully.



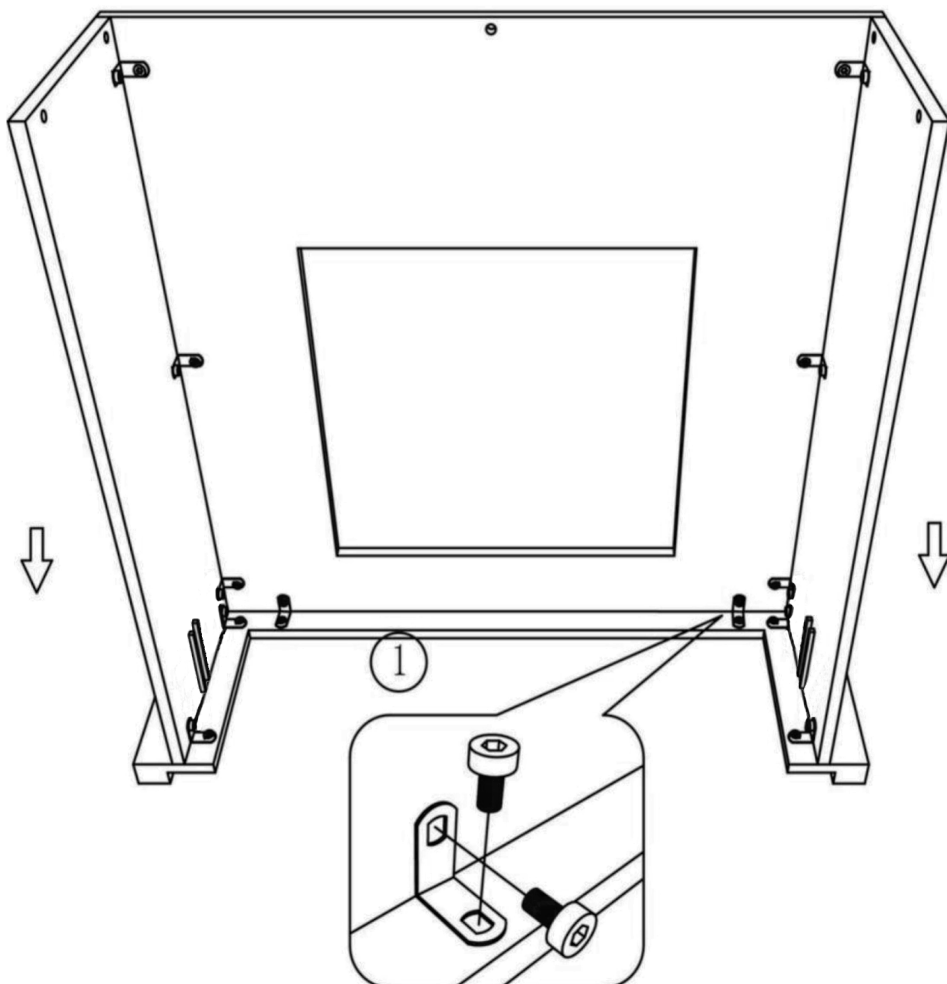
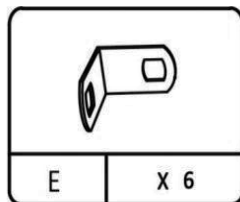
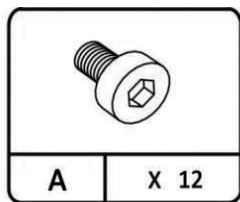
# STEP 1:

Install two side panels onto the front panel.



## STEP 2:

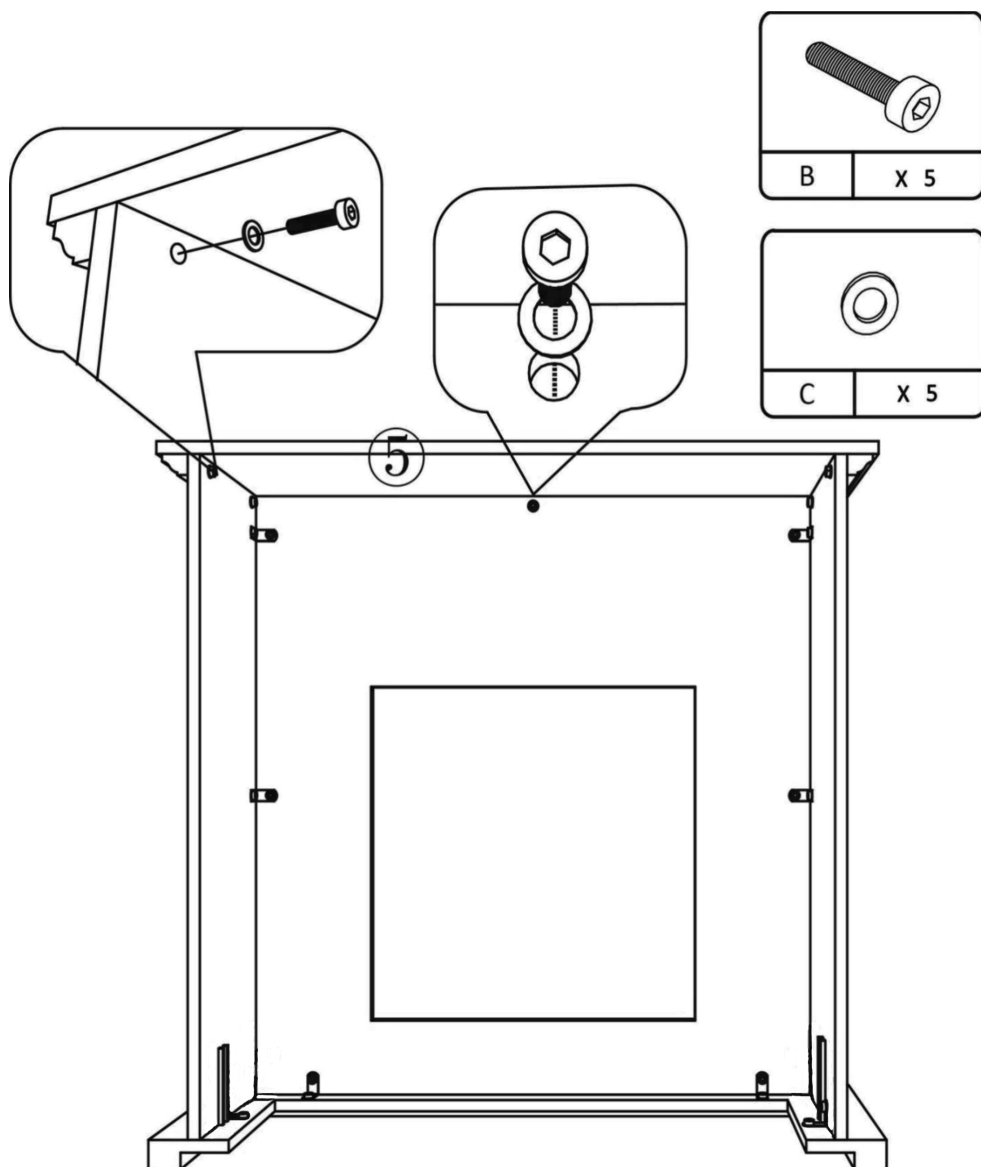
Install the side panels and front panel onto the bottom seat.





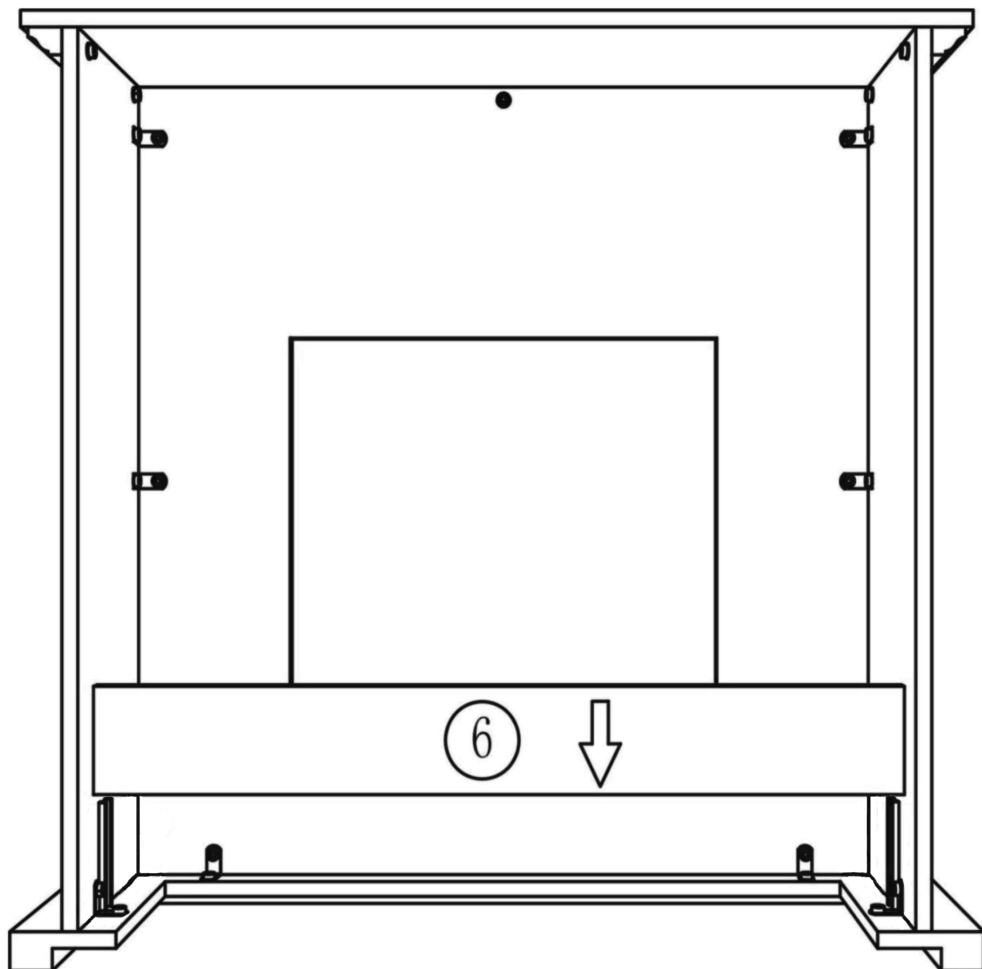
## STEP 3:

Install the top panel.



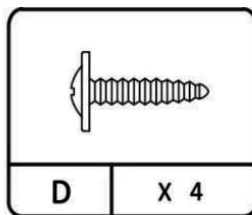
## STEP 4:

Install two supporting panels into the slot.

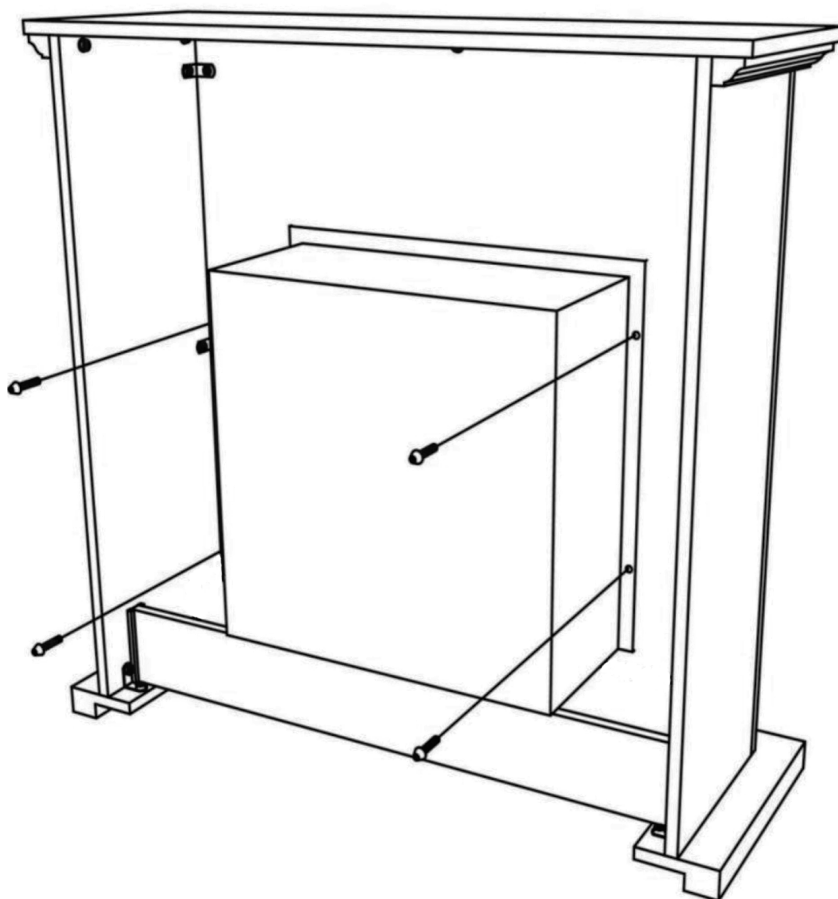


## STEP 5:

Finally install your own fireplace.



ST4.2X12 SCREW



Thank you for purchasing this product! If you have any questions about the product, such as the missing parts, damaged products, product assembling, and operation, please contact us via **Amazon Message** or customer service number: **213-4467172 or 661-4358826**

### **IMPORTANT**

Please call our customer service department for any consulting:

**213-4467172**

**661-4358826**

(8:30am - 5:30pm P.S.T.)

DATED PROOF OF PURCHASE IS REQUIRED FOR WARRANTY SERVICE.

### **AVIS**

Veillez appeler le service à la clientèle pour toutes questions au:

**213-4467172**

**661-4358826**

(8:30am - 5:30pm P.S.T.)

PREUVE D'ACHAT ORIGINALE REQUISE POUR SERVICE DE GARANTIE.

### **IMPORTANTE**

Sólo hay que llamar nuestro departamento de servicio al cliente en caso de tener preguntas o inquietudes:

**213-4467172**

**661-4358826**

(8:30am - 5:30pm P.S.T.)

SE REQUIERE PRUEBA DE COMPRA CON FECHA PARA SERVICIO BAJO GARANTÍA.

Add: ROWAN ELECTRIC APPLIANCE LLC 28407 Ascent Way, Santa Clarita, CA 91350

Phone: 213-4467172 or 661-4358826