



Attached are the recommended installation instructions for bifold doors using 20 or 30 pound hardware kits. Read these installation instructions thoroughly before beginning. They are designed to work in most existing applications. However, existing conditions may require changes to these instructions. If changes are needed, they are made at the installer's risk. For installations other than indicated in these instructions, contact a building professional.

## IMPORTANT INFORMATION AND GLOSSARY

**Note to Installer:** Provide a copy of these instructions to the building owner. By installing this product, you acknowledge the terms and conditions of the limited warranty as part of the terms of the sale.

### GLOSSARY

#### Finished Opening

The resulting opening after any trim work is completed. Measure these dimensions for proper door fitting.

#### Lead Door

The panel or section without the pivoting hardware. On four panel assemblies, these are the two that meet in the middle.

#### Pivot Door

The panel or section that contains the pivoting hardware and supports the weight of the door assembly.

## SAFETY, STORAGE AND HANDLING, FINISHING

### SAFETY

- Read and fully understand ALL manufacturer's instructions before beginning. Failure to follow proper installation instructions may result in the denial of warranty claims for operational or performance problems.
- Use safe lifting techniques.
- Wear protective gear (e.g. safety glasses, gloves, ear protection, etc.).
- Operate hand/power tools safely and follow manufacturer's operating instructions.
- Heed material manufacturer's handling and application instructions.
- If disturbing existing paint, take proper precautions if lead paint is suspected (commonly used before 1979). Your regional EPA ([www.epa.gov/lead](http://www.epa.gov/lead)) or Consumer Product Safety Commission offices provide information regarding regulations and lead protection.

**WARNING:** Drilling, sawing, sanding or machining wood products can expose you to wood dust, a substance known to the State of California to cause cancer. Avoid inhaling wood dust or use a dust mask or other safeguards for personal protection. For more information go to [www.P65Warnings.ca.gov/wood](http://www.P65Warnings.ca.gov/wood).

**IF INJURY OCCURS, IMMEDIATELY SEEK MEDICAL ATTENTION!**

### STORAGE AND HANDLING

- Deliver doors to the building site after the plaster, drywall and/or concrete are dry.
- If the doors are being stored at the job site and not for immediate installation, the top, bottom and sides must be sealed.
- Hollow core doors may be more prone to warp than solid core doors. When stacking doors, keep the top door covered at all times with a cover sheet, plywood or cardboard. This is critical to prevent warping.
- Keep the doors away from direct sunlight and sources of extreme heat, cold or humidity.
- Store flat on a level surface in a clean, dry, well ventilated building. Protect from dirt, water and abuse. Allow air circulation. Cover the top door with a moisture barrier. Do not lean the doors vertically against a wall or other structure.
- Doors should always be handled with clean hands or while wearing clean gloves.
- Doors should be lifted and carried when being moved, not dragged across one another.
- Doors should not be subjected to abnormal or sudden variations in heat, dryness or humidity, and should not be exposed to direct sunlight. Recommended humidity and temperature are 25% - 55% RH and 50°F - 90°F (10°C - 32°C).
- Doors should be stored at least 10' away from any heat source. Excessive heat on a door creates uneven drying which results in warping, splitting, and bowing on the door surfaces.
- Doors should be climatized to the average prevailing humidity and temperature before hanging for at least 48 hours. In below-zero or extreme temperatures, doors should be stored properly in a dry building at normal room temperatures for at least 72 hours before hanging.

## SAFETY, STORAGE AND HANDLING, FINISHING - CONTINUED

### FINISHING

- Set-up your finishing area by making sure your work area is clean, well-lit, dust free, well ventilated, out of direct sunlight and in a climate controlled environment. When painting and staining avoid carpeted areas, cover all areas subject to paint or stain exposure.
- Doors should acclimate to the environment where they will be installed for a minimum of 48 hours under normal room temperature conditions (72 Hours in extreme weather conditions). Avoid finishing immediately after a rain or damp weather and during periods of higher than average humidity. In very dry conditions, the door should be finished right after the wrapping is removed. Ensure adequate air flow around all surfaces of the door when conditioning. Follow paint/stain manufacturer's instructions noting both temperature and humidity recommendations. Remove all hardware before finishing.

- If you must use a water-based paint please apply in light coats, in a warm dry environment. Do **NOT** reduce paint beyond the manufacturer's recommendations. If you attempt to apply water-based paints in a cold or damp environment, or apply the paint in a heavy coat, the paint will take longer to dry and the water in the paint will penetrate into the board, raising the grain or fibers in the substrate. The use of satin or semi-gloss finish is highly recommended.
- **WARNING:** Distortions such as warping, bowing and waviness, can appear as a result of incorrect topcoat (paints or stains), improper finishing techniques and or finishing conditions. These are caused by but are not limited to incorrect topcoat, watered down paints, high humidity environments, excessive application of paints, and doors not being acclimated properly.

For additional details reference Window & Door Manufacturers Association guidelines on how to store, handle, finish and install wood doors.

## MATERIALS AND TOOLS

### INSPECT DOOR AND OPENING

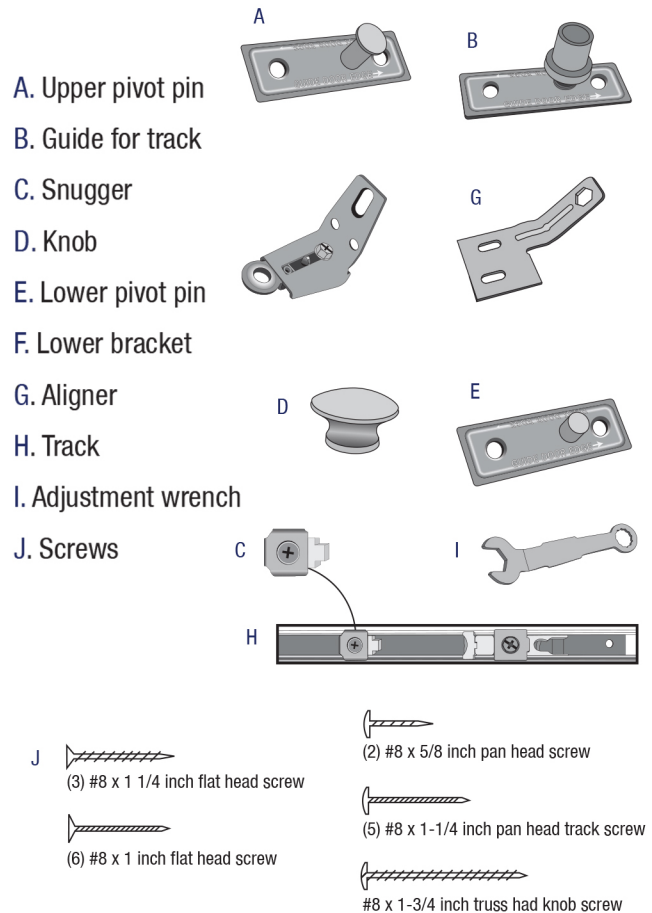
- Cosmetic damage, correct product (size, color, design, etc.)
- Measure height and width of finished wall opening. Width must be 1/2" larger than the bifold size. Height must be approximately 1 1/2" taller. If shorter, the bifold doors cannot be installed. If higher, shorten by nailing a wood strip at the top of the opening.
- Doors may be trimmed 1/4" on each side if necessary.

### NEEDED MATERIALS AND TOOLS

NOTE! Follow all material manufacturers' instructions for proper use and compatibility.

- Rubber gloves
- Paint brush
- Sandpaper
- Drop cloth
- Paint (and primer for raw wood doors) or stain and wood conditioner
- Wood putty
- Hammer
- Drill with bits
- Screwdrivers
- Safety glasses
- Measuring tape

### PARTS INCLUDED



## INSTALL DOOR

### INSTALLATION

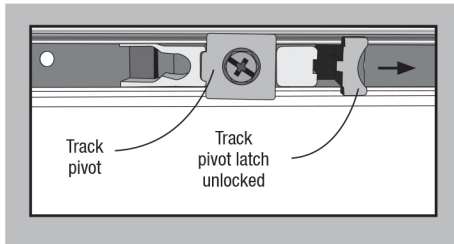
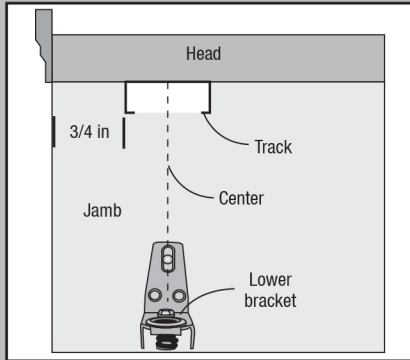
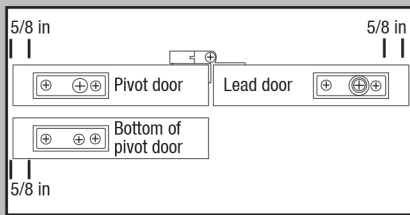
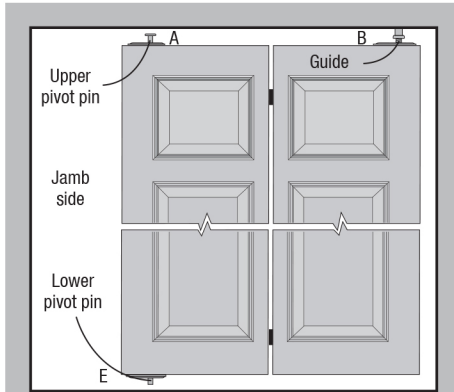
1. Position the guide, upper pivot pin and lower pivot pin on the door assembly in the locations and orientations shown.

2. Measure in 5/8 inch from the end of each panel and center each pin on the panel.

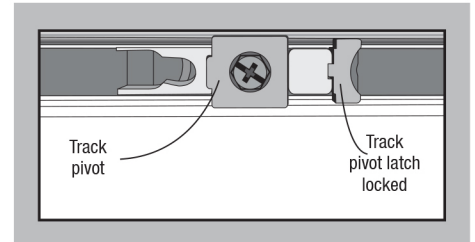
3. Secure with a 1 inch flat head screw through each hole.

4. Position overhead track in the opening with the open side down and the bracket end toward the jamb. Allow 3/4 inch between the front of the opening and the track and drive 1-1/4 inch pan head screws through the pre-drilled holes until snug. Position the lower bracket on the floor in line with overhead track. Fasten to the jamb with a 1-1/4 inch flat head screw through only the middle of the top slotted hole.

5. Unlock the track pivot latch by pulling the latch away from the jamb. With the door assembly folded, place the guide in the track and then position the upper pivot pin next to the track pivot. Slide the pin away from the jamb into



the track pivot. Slide the latch toward the jamb to lock the pivot pin in place. Verify the pin is secure.



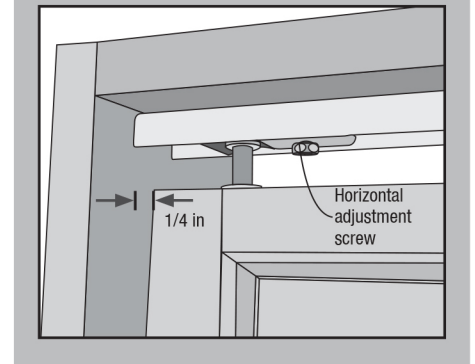
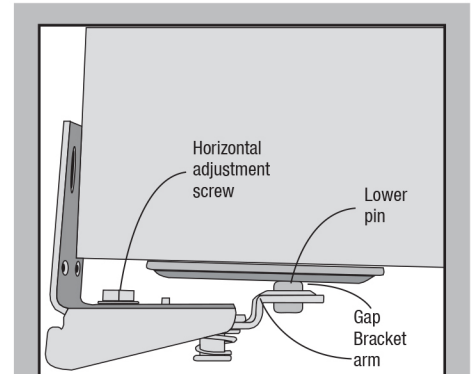
6. On the bottom, depress the arm on the lower bracket and insert the lower pivot pin. If installing a four door system, repeat for the other assembly. Check positioning and operation.

#### To adjust horizontally:

7. At the top, loosen the screw in the top pivot bracket and move toward or away from the jamb until there is 1/4 inch clearance. Retighten. Repeat the process for the lower bracket.

#### To adjust vertically:

8. There should be a slight gap between the lower pin and the bracket. If there is no gap or the gap is too large and allows the pin to come out of the bracket, loosen the single screw in the bracket and adjust up or down until there is a small gap (shown above) and the pin is engaged in the bracket. When the bracket is properly adjusted, install the remaining two screws and tighten.

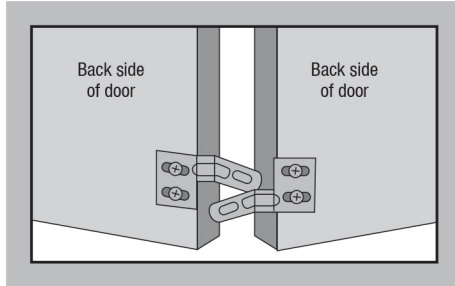


9. Loosen the screw on the snigger and close doors. Move the snigger until it contacts the guide pin. Open doors and move the snigger an additional 1/8 inch toward doors and tighten screw. Doors should slightly "snap" shut, but reopen easily with a tug on the knob.

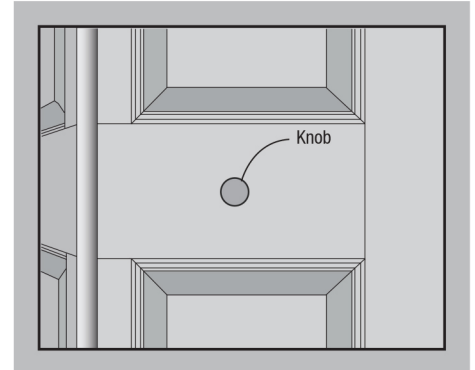
10. Finish all sides of the doors with top quality products if not done already.

## COMPLETE INSTALLATION

For four door configurations, mount an aligner as shown on the back side of each lead door.



For best operational performance and aesthetic appeal, install the door knob in the center of the middle rail of the lead door(s) (panel without pivot hardware). The knob, however, can also be installed in any other location on the lead door if desired. Drill a hole slightly smaller than the screw and attach knob.



Schedule your **consultation**.

