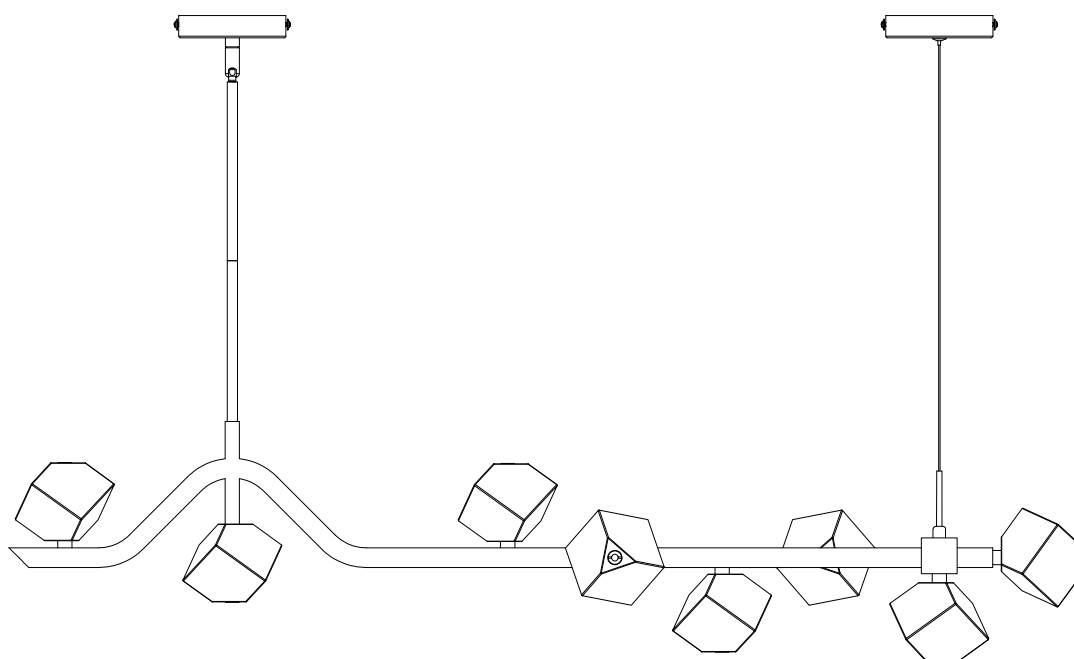


INSTALLATION MANUAL

CHANDELIER

Model No.: HLP332BL-8A



Scan for Installation Video

✉ Email: lightingcustomercare@gmail.com

TOOLS REQUIRED



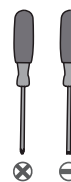
Ladder



Pliers

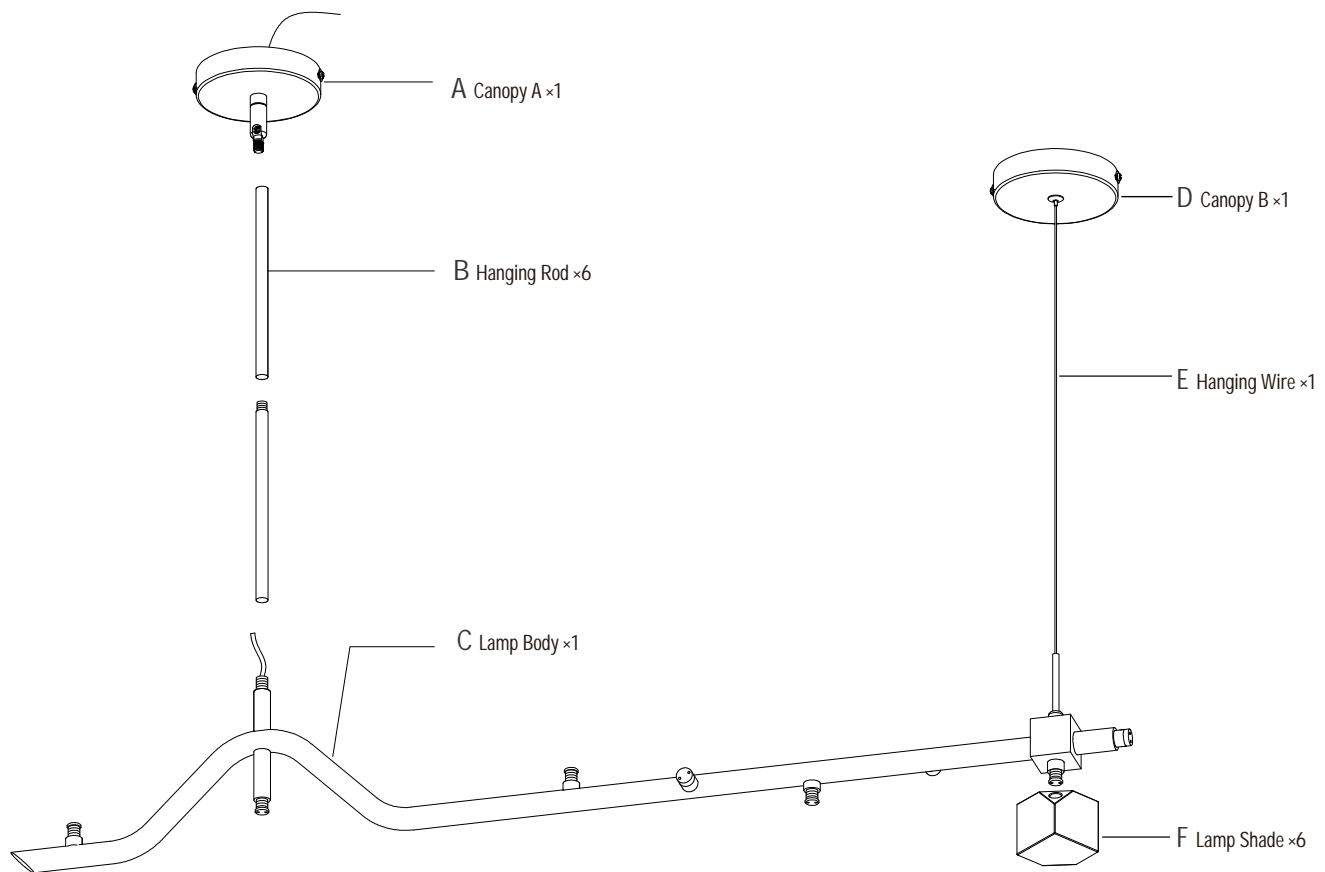


Wire
Strippers

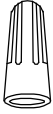
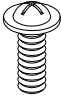


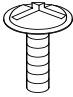
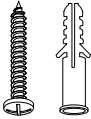


Screwdrivers

1.PACKING LIST



2.INSTALLATION KIT

AA  Wire Nut 3×	BB  Outlet Box Screw 2×	CC  Gloves 1×
DD  Mounting Bracket 2×	EE  Canopy Screw 4×	FF  Wood Screw with Plastic Anchor 2×

Note:

1. Some extra hardware may be included. The quantity listed above is the number required for installation.
2. Parts "DD , EE" have already been pre-installed together with canopy.

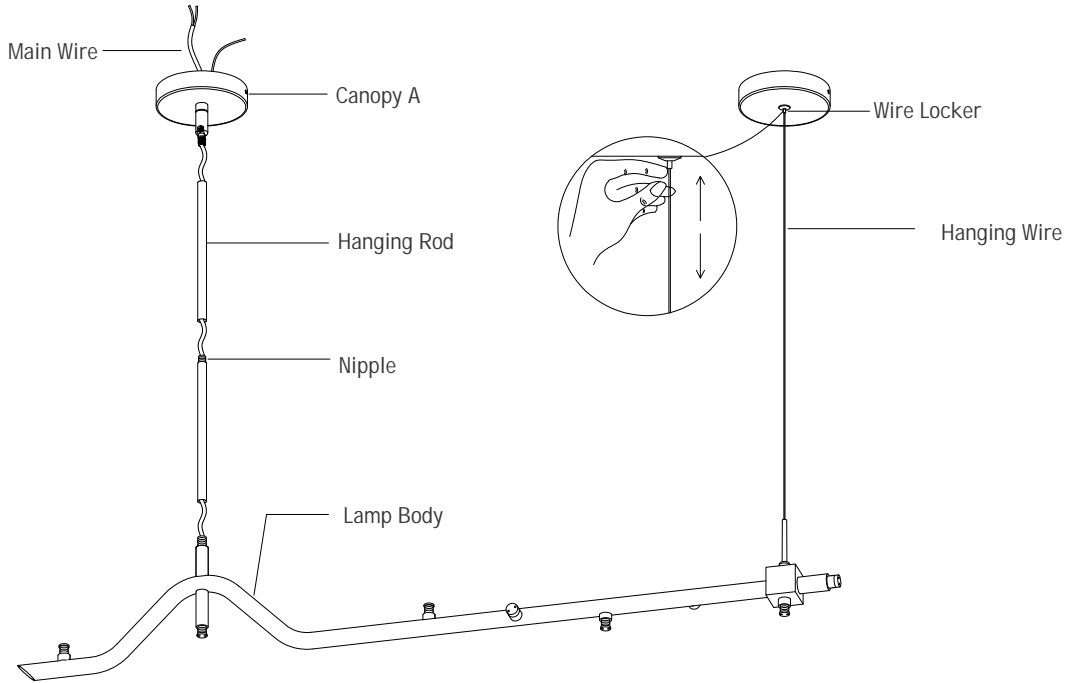
3. FIXTURE ASSEMBLY

Step 1. Fix the Hanging Rod with Nipples.

Step 2. Pass the Main Wire through the Hanging Rod and Canopy (A).

Step 3. Fix the two ends of the Hanging Rod on the Lamp body and Canopy (A).

Step 4. Adjust the length of the Hanging Wire by pressing the Wire Locker to be the same as the Hanging Rod.



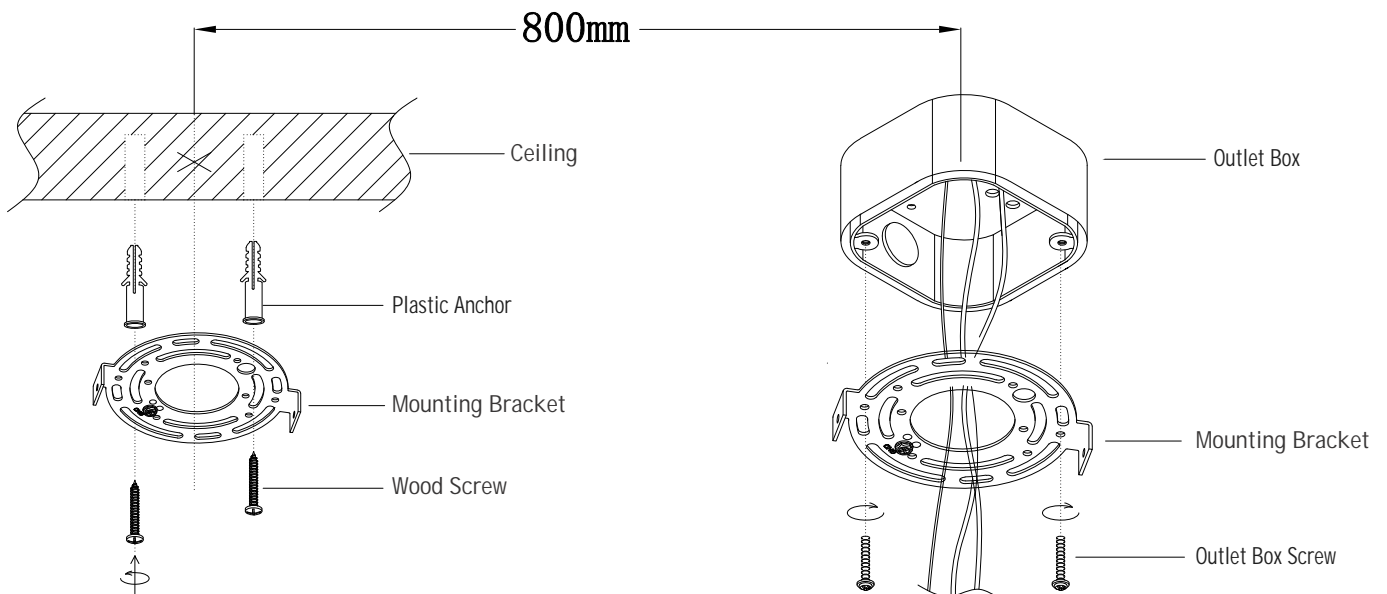
4. INSTALLING THE BRACKET

Step 1. Loosen the Canopy Screw (EE) from Canopy, take out the Mounting Bracket (DD).

Step 2. Take off the screws from Outlet box, secure the Mounting Bracket onto the box with screws taken off or Outlet Box Screw (BB) provided.

Step 3. Secure the other Mounting Bracket on the Ceiling with Wood Screw with Plastic Anchor (FF) .

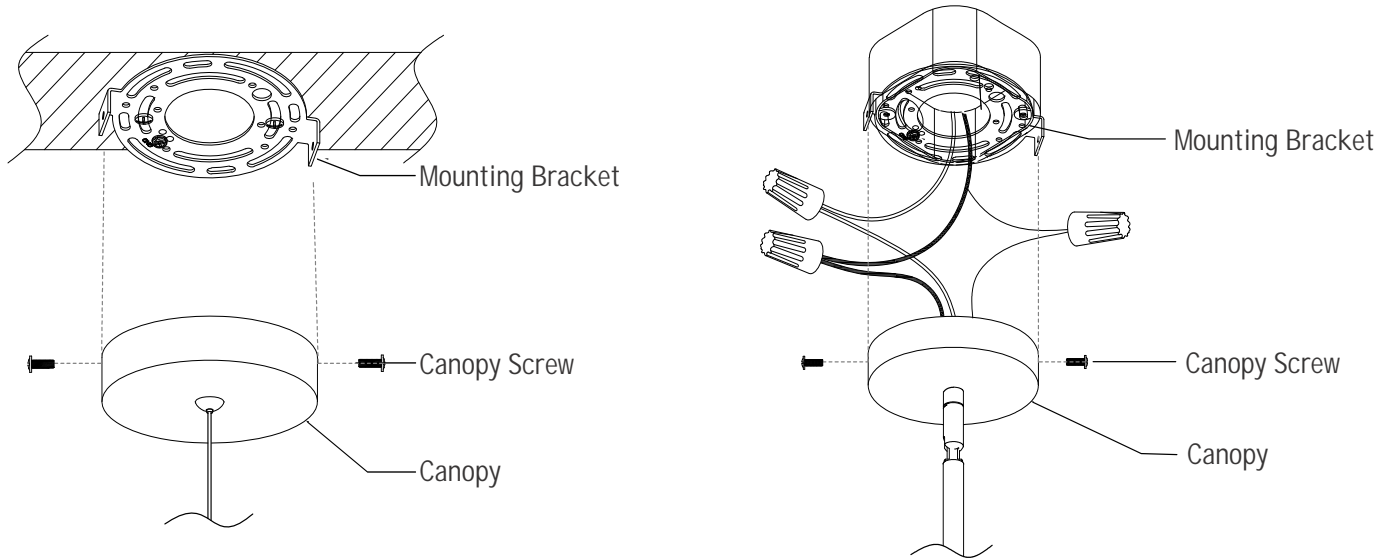
(Maintain a distance of 80cm/31.5 inches between two brackets)



5. MOUNTING AND WIRING

Step 1. Connect the wires from the fixture to the house supply wires with wire nuts (AA), ground wire (bare copper) to ground wire, neutral wire (white) to neutral wire, hot wire (black) to hot wire. Wrap the connection with electrical tape.

Step 2. Secure the Canopy on the Mounting Bracket (DD) with Canopy Screw (EE).

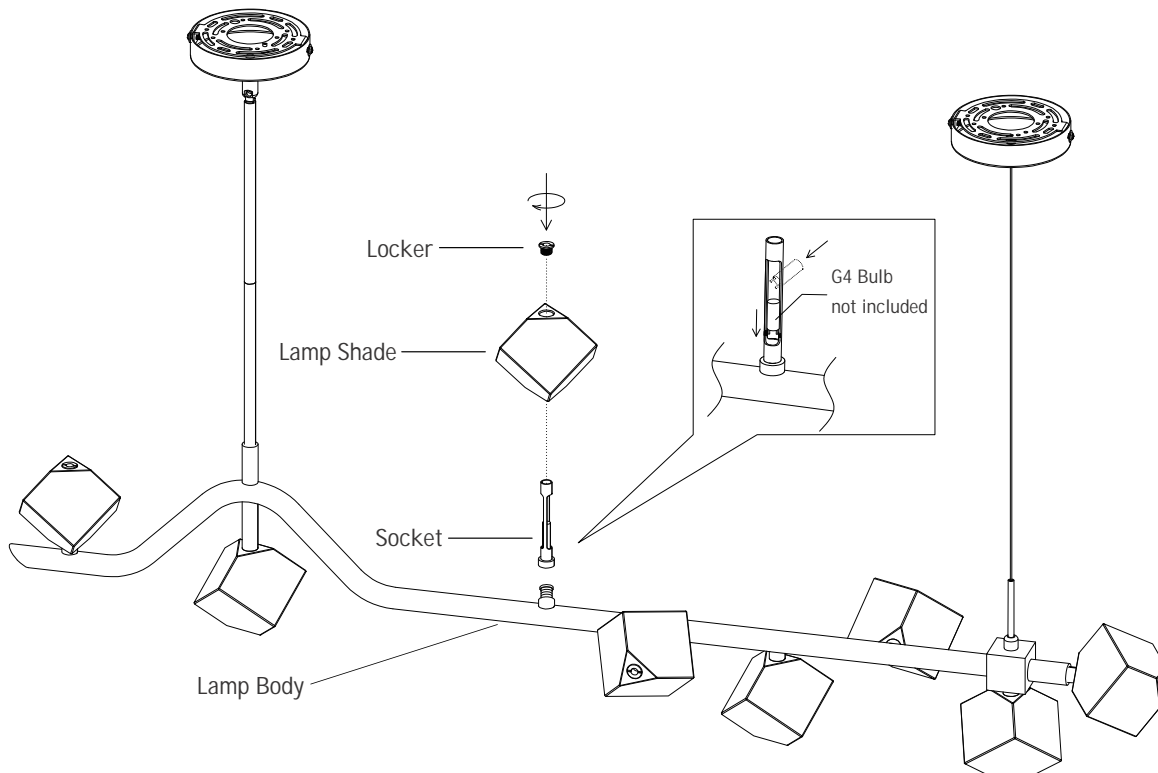


6. INSTALLING BULBS AND LAMP SHADE

Step 1. Fix the Socket on the Lamp Body and remove the Locker.

Step 2. Install the G4 LED bulbs up to 5W (not included).

Step 3. Thread the Lamp Shade through the Socket and secure it with Locker.



Note: Fully dimmable when used with dimmable LED bulbs up to 5W and compatible dimming switches (not included).