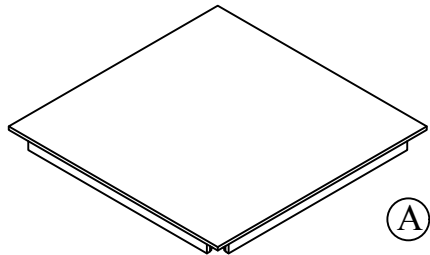
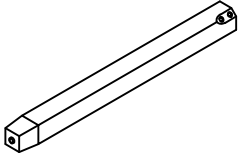
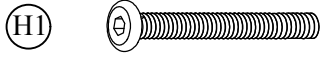





ASSEMBLY INSTRUCTIONS
ITEM # : 60581-87-01 KONA CNTR HGT TABLE WHITE

60581-87-01 PARTS & HARDWARE LIST

 <p>TABLE TOP x 1</p>	 <p>LEGS x 4</p>	 <p>ALLEN BOLT x 8 (Ø5/16" *60mm)</p>
 <p>SPRING WASHER x 8 (Ø5/16")</p>	 <p>FLAT WASHER x 8 (Ø5/16")</p>	 <p>ALLEN KEY x 1 (M4)</p>

Customer Service Contact Information:

Toll Free Phone Number: 1-844-771-2727

Email: consumercare@lanefurniture.com

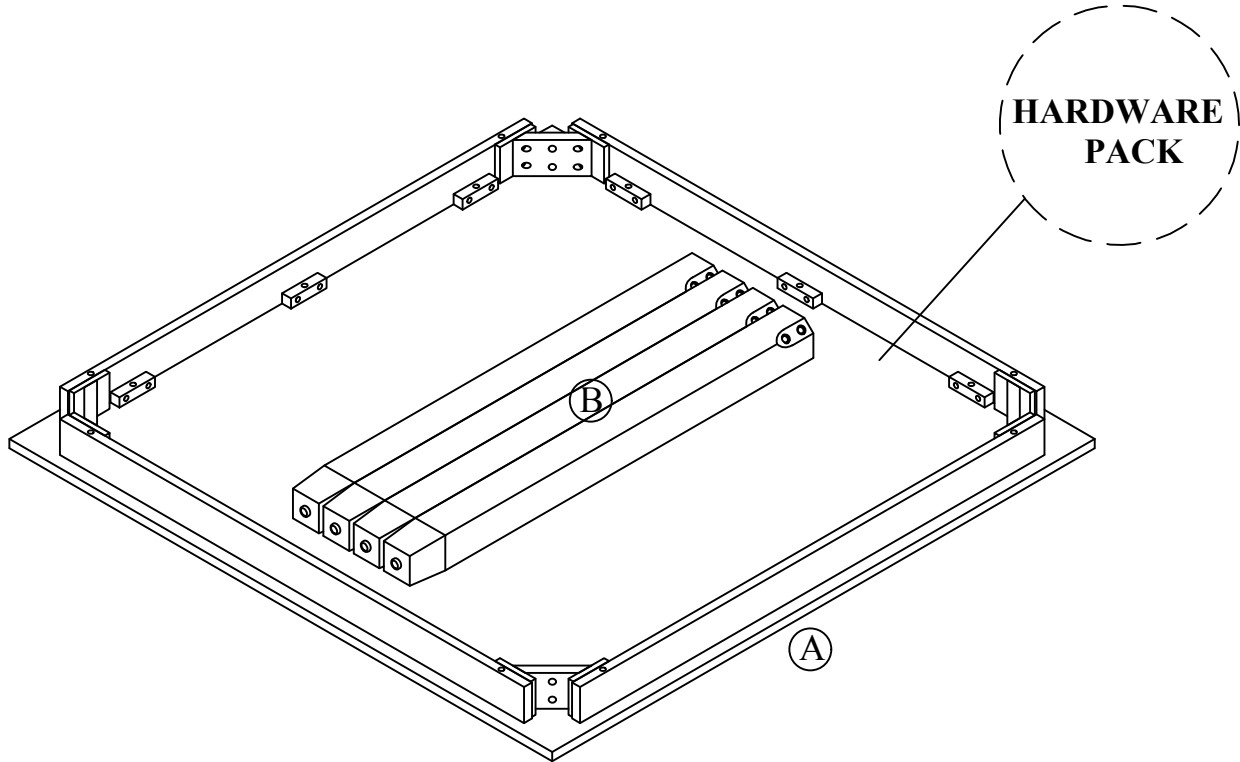
Website: www.lanefurniture.com

NOTES :

- CHECK CAREFULLY FOR SMALL PARTS WHICH MAY COME LOOSE DURING SHIPMENT.
- REMOVE ALL COMPONENTS FROM THE PACK AND PLACE ON A CLEAN, SOFT SURFACE TO ASSEMBLE.
- UNITS SHOULD BE ASSEMBLED BY TWO OR MORE PEOPLE.
- DO NOT OVER - TIGHTEN SCREW/ BOLTS UNTIL ASSEMBLY IS COMPLETED.
- WITH USE, SCREW/ BOLT MAY BE COME LOOSE & MUST BE TIGHTENED PERIODICALLY.



HARDWARE BLISTER PACKS ARE STORED ON THE TOP OF THE TABLE BASE



Customer Service Contact Information:
Toll Free Phone Number: 1-844-771-2727
Email: consumercare@lanefurniture.com
Website: www.lanefurniture.com

NOTES :

1. CHECK CAREFULLY FOR SMALL PARTS WHICH MAY COME LOOSE DURING SHIPMENT.
2. REMOVE ALL COMPONENTS FROM THE PACK AND PLACE ON A CLEAN, SOFT SURFACE TO ASSEMBLE.
3. UNITS SHOULD BE ASSEMBLED BY TWO OR MORE PEOPLE.
4. DO NOT OVER - TIGHTEN SCREW/ BOLTS UNTIL ASSEMBLY IS COMPLETED.
5. WITH USE, SCREW/ BOLT MAY BE COME LOOSE & MUST BE TIGHTENED PERIODICALLY.



STEP 1 (x1)

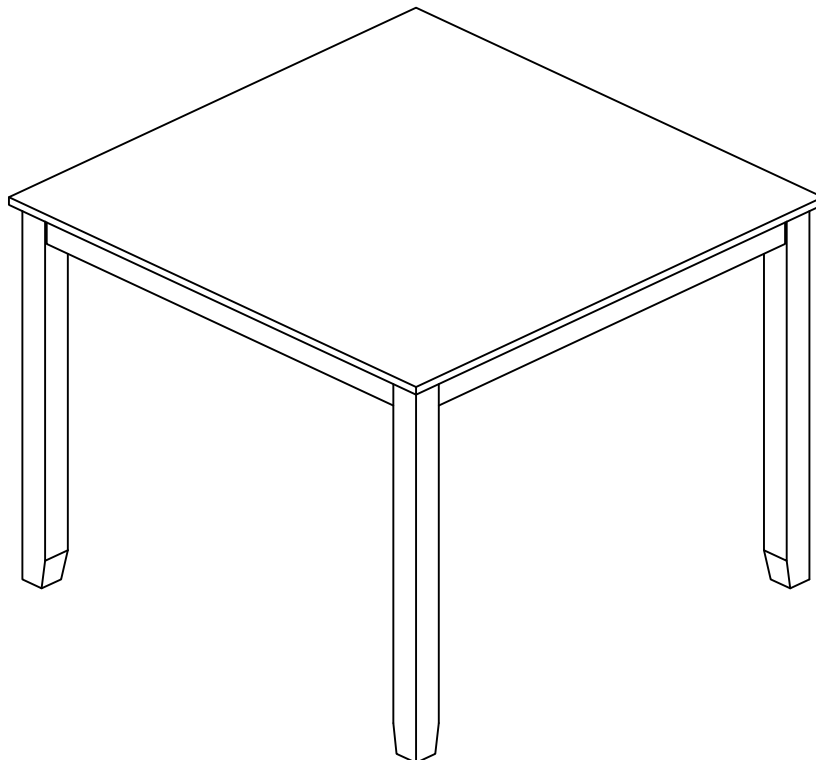
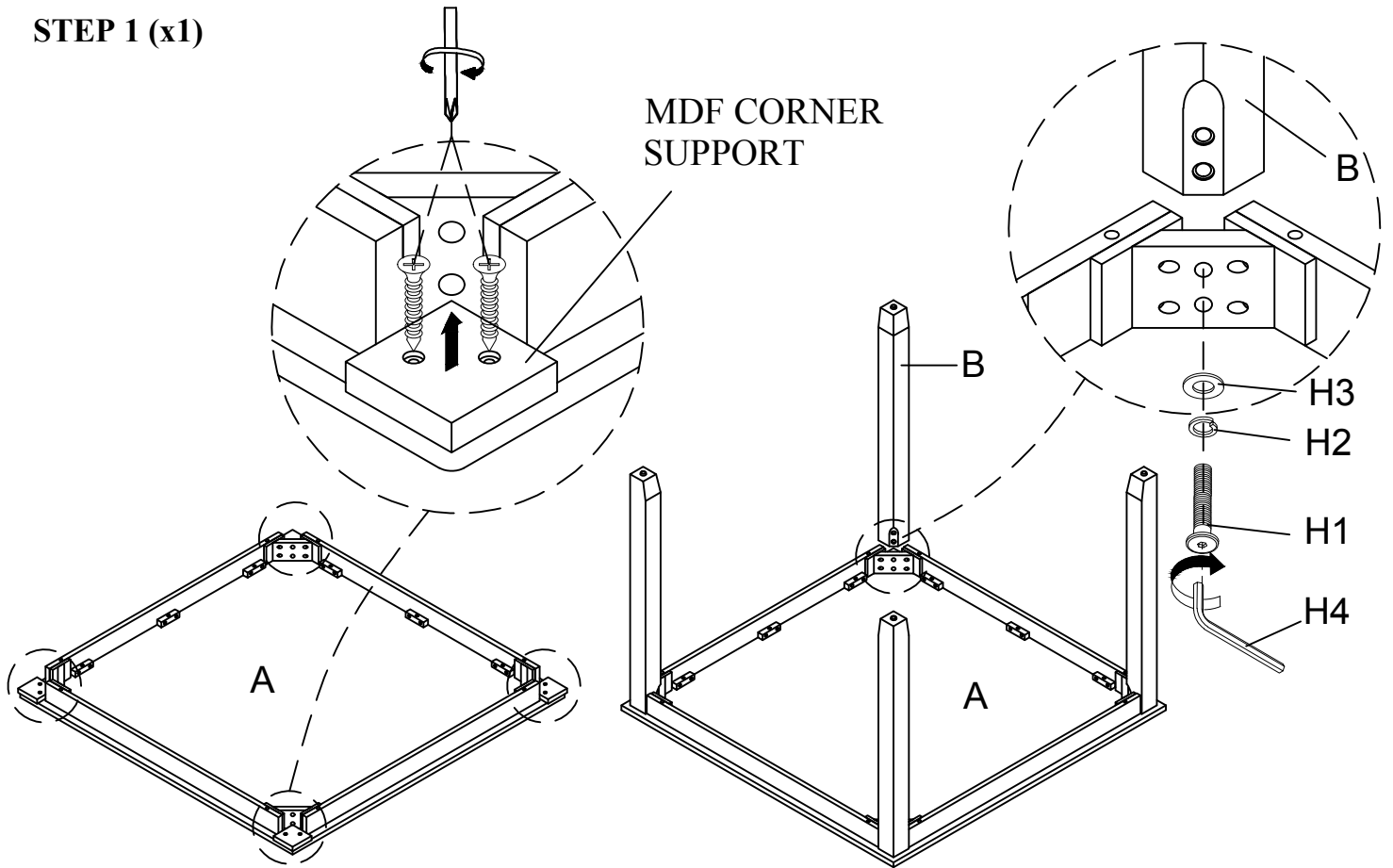


TABLE ASSEMBLY COMPLETED