





L3\*1



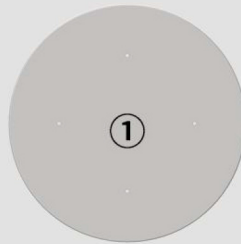
B4\*82



A1\*10



Screwdriver\*1



①



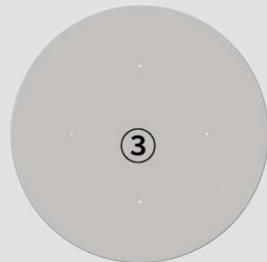
⑥\*20



⑤\*5



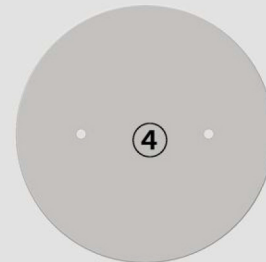
⑦\*5



③



②\*4

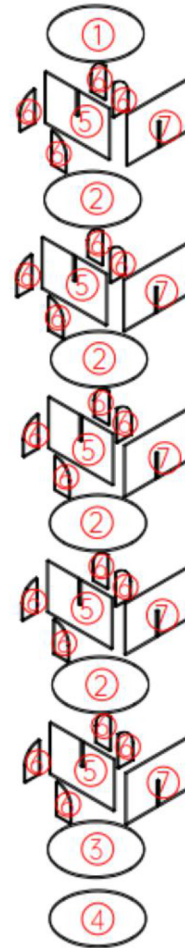


④

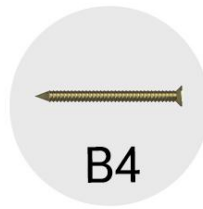
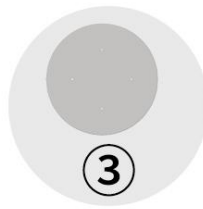
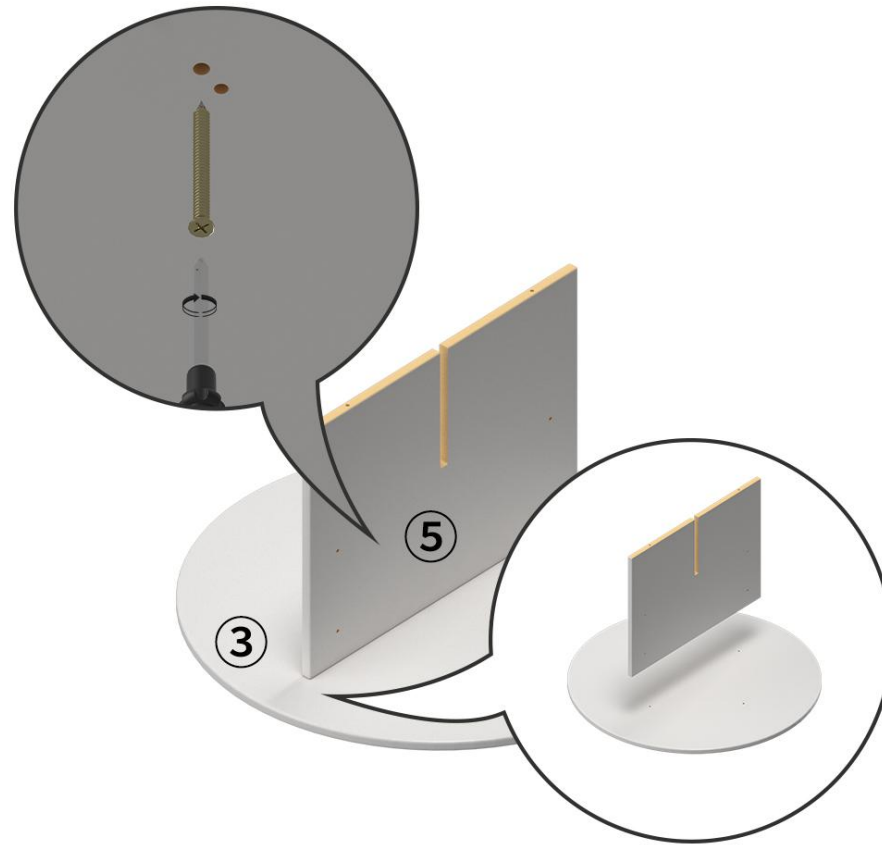
Presentation of finished product



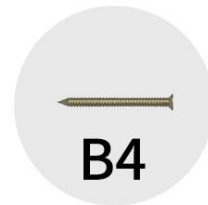
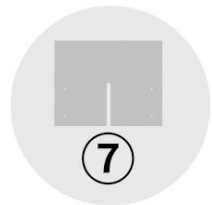
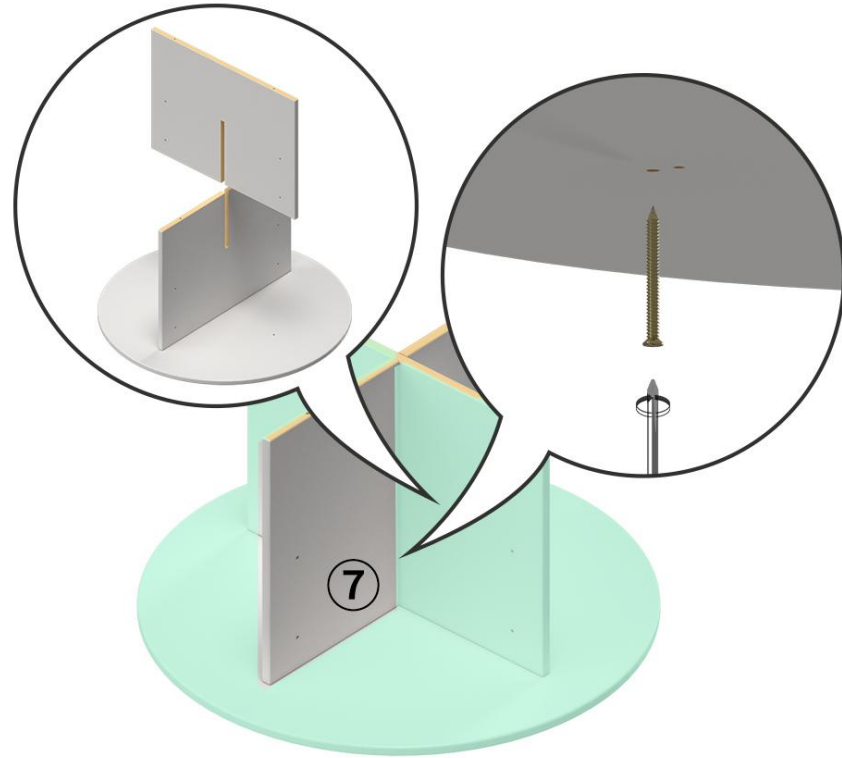
Product Split Diagram



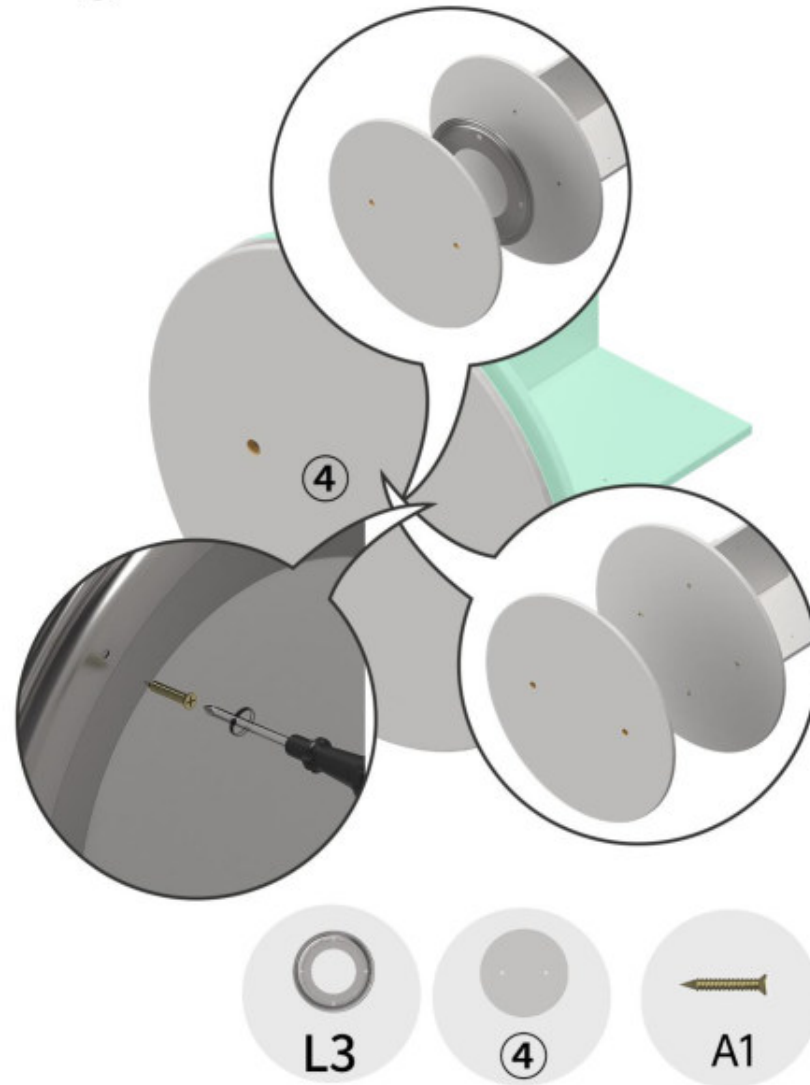
1



2

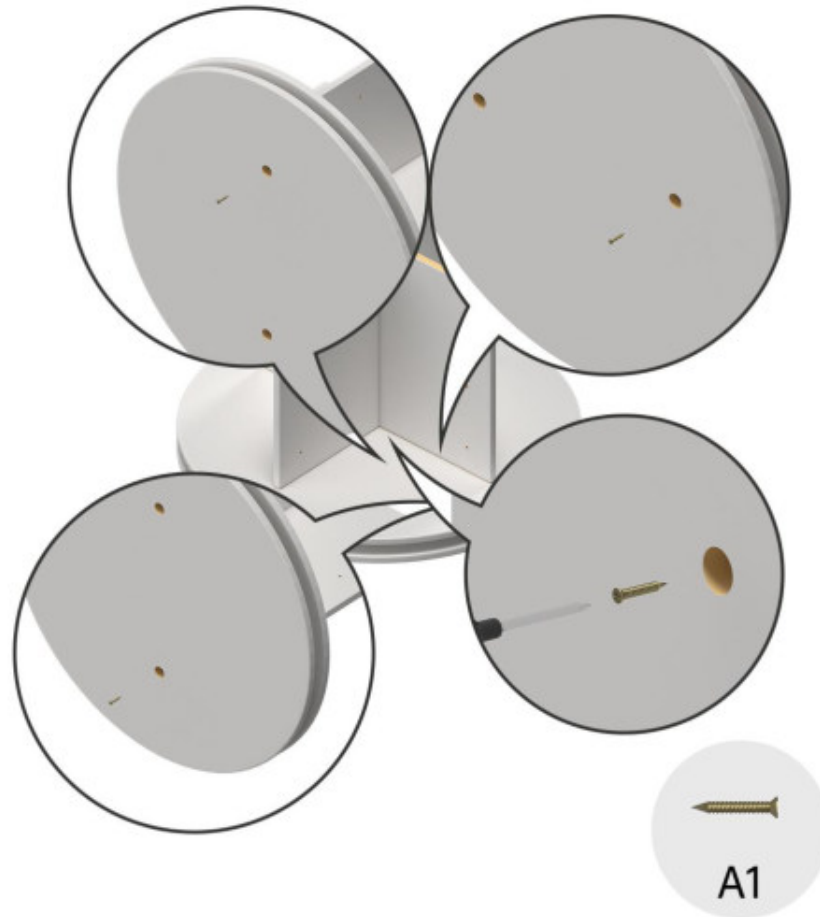


3



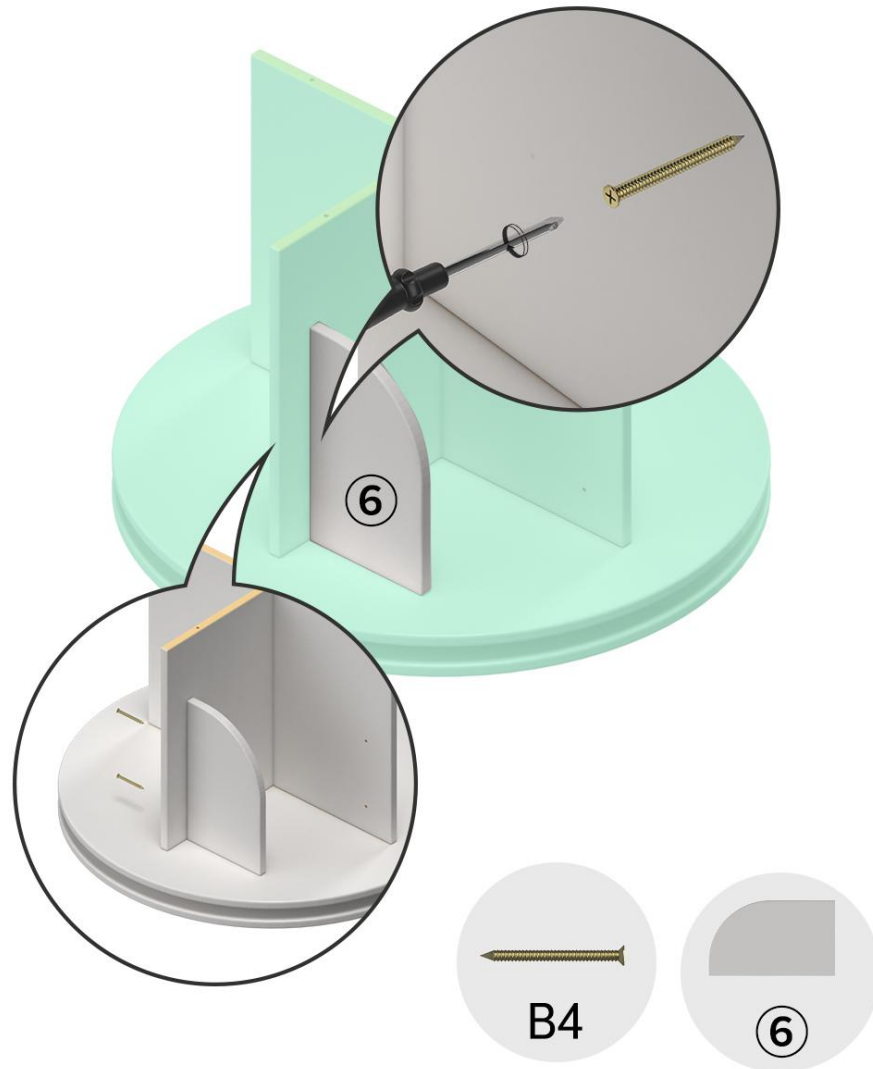
Align the large holes in the turntable with the large holes in the ④ board, then screw the small screws into the small holes to lock them in place

4

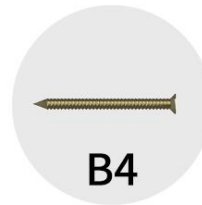
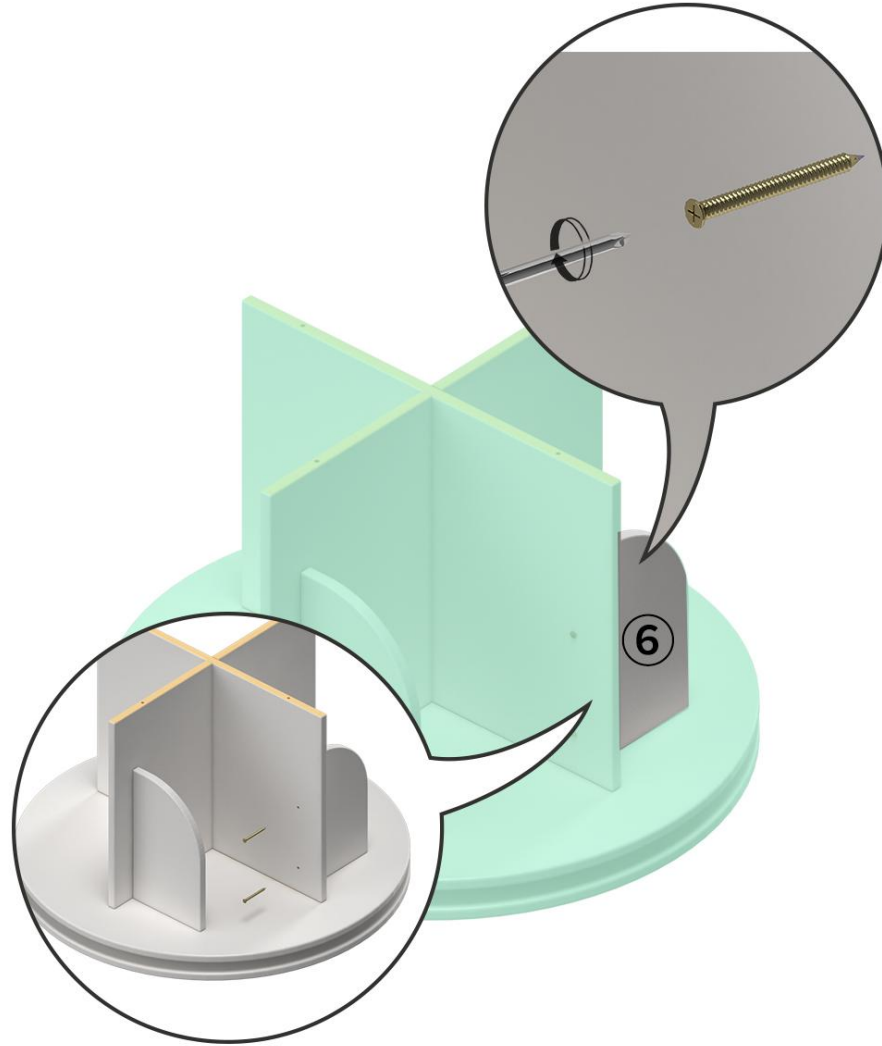


Reverse the chassis and align the two boards  
Rotate the turntable and find the small holes at the  
large holes to screw in the screws

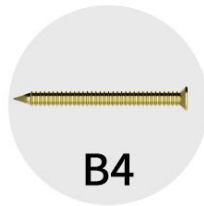
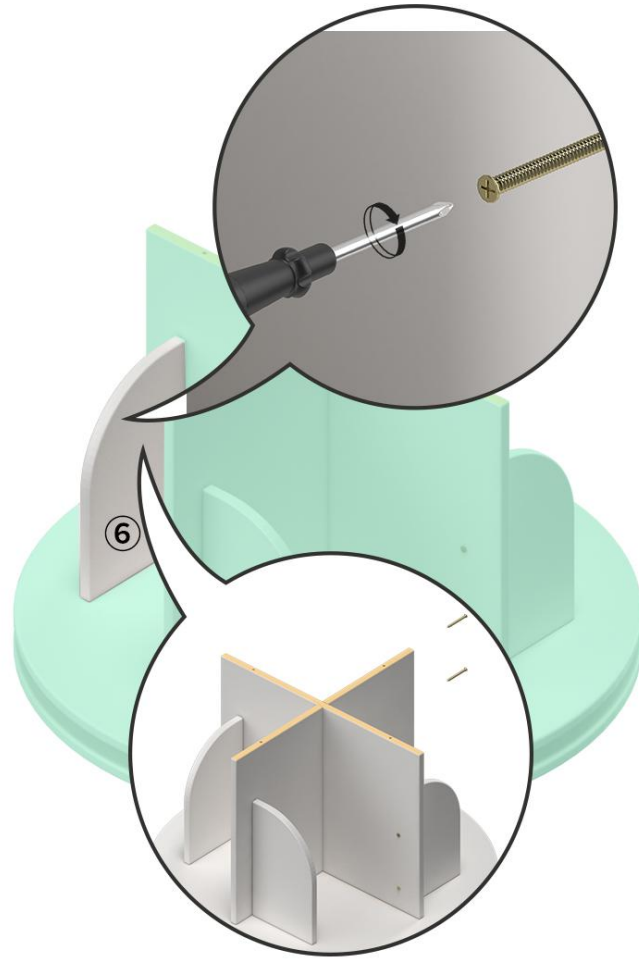
5



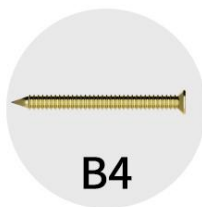
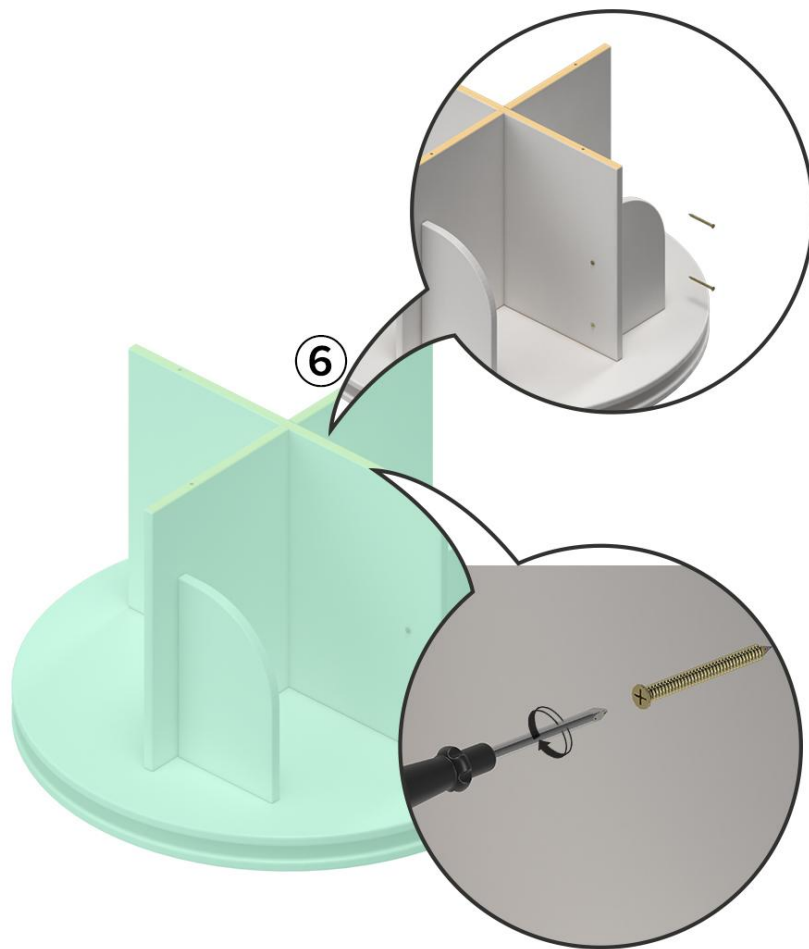
6



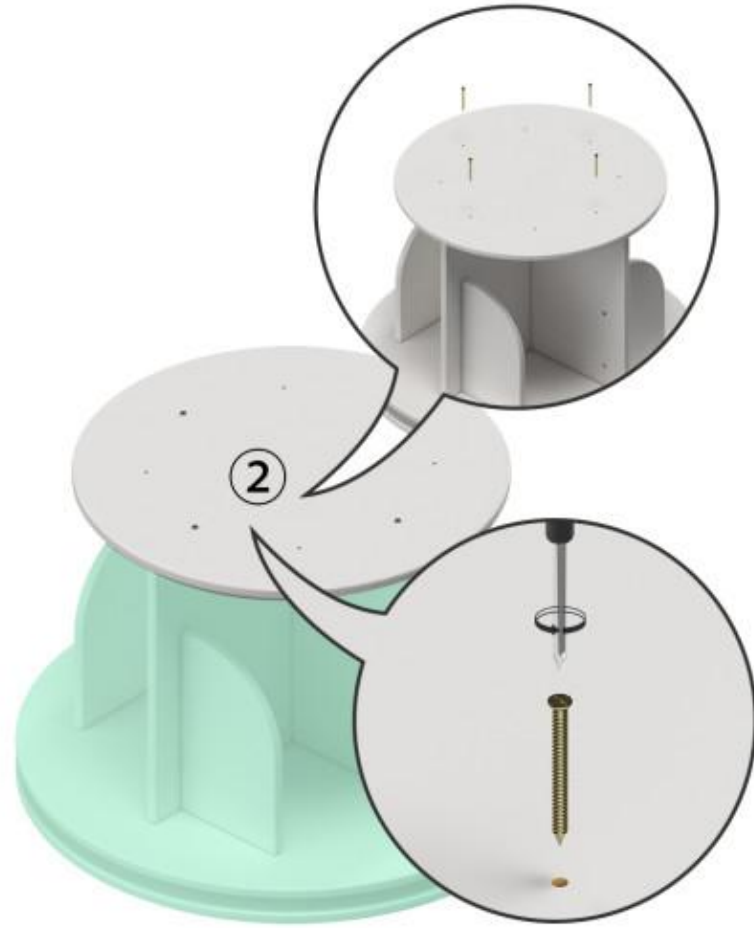
7



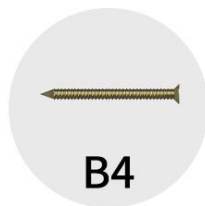
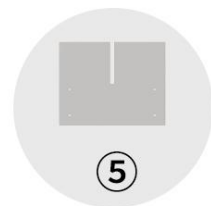
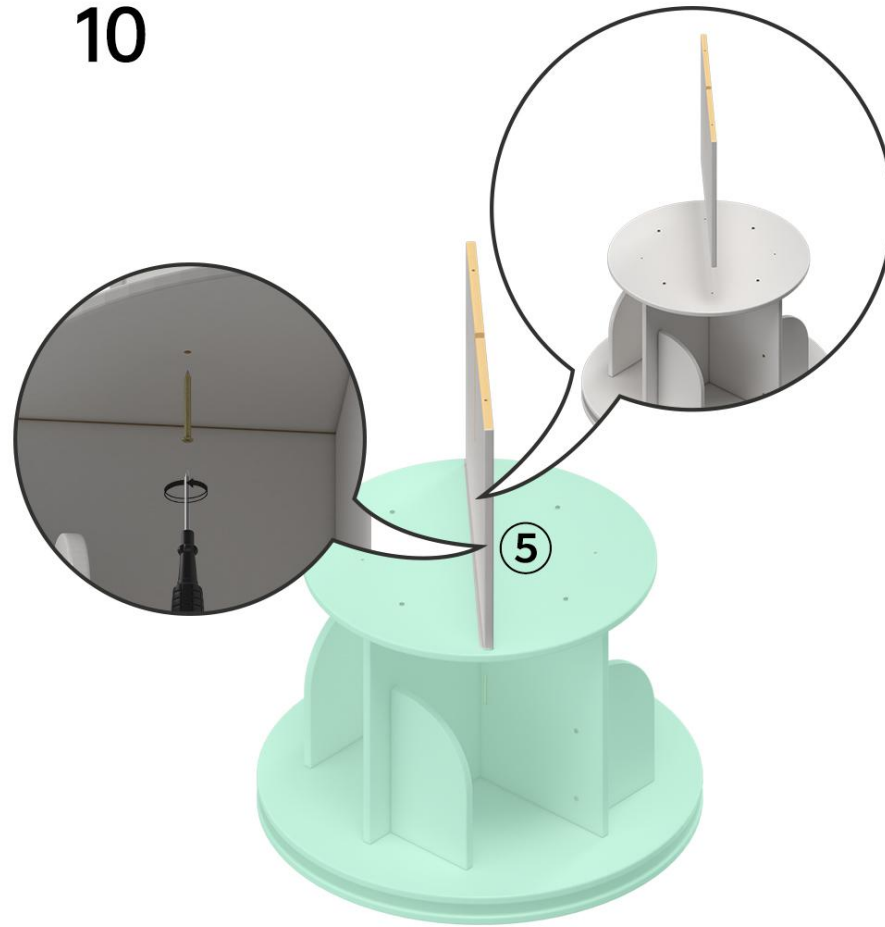
8



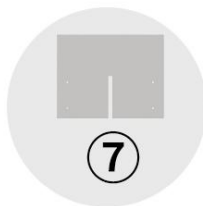
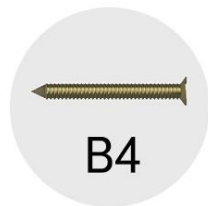
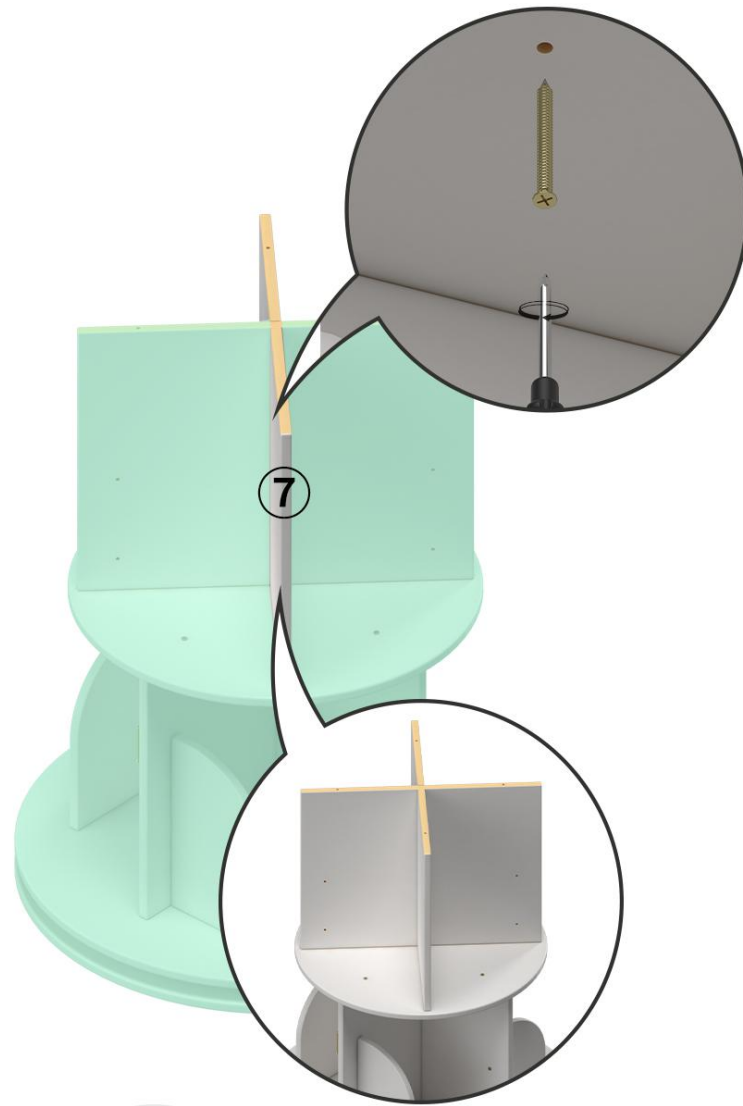
9



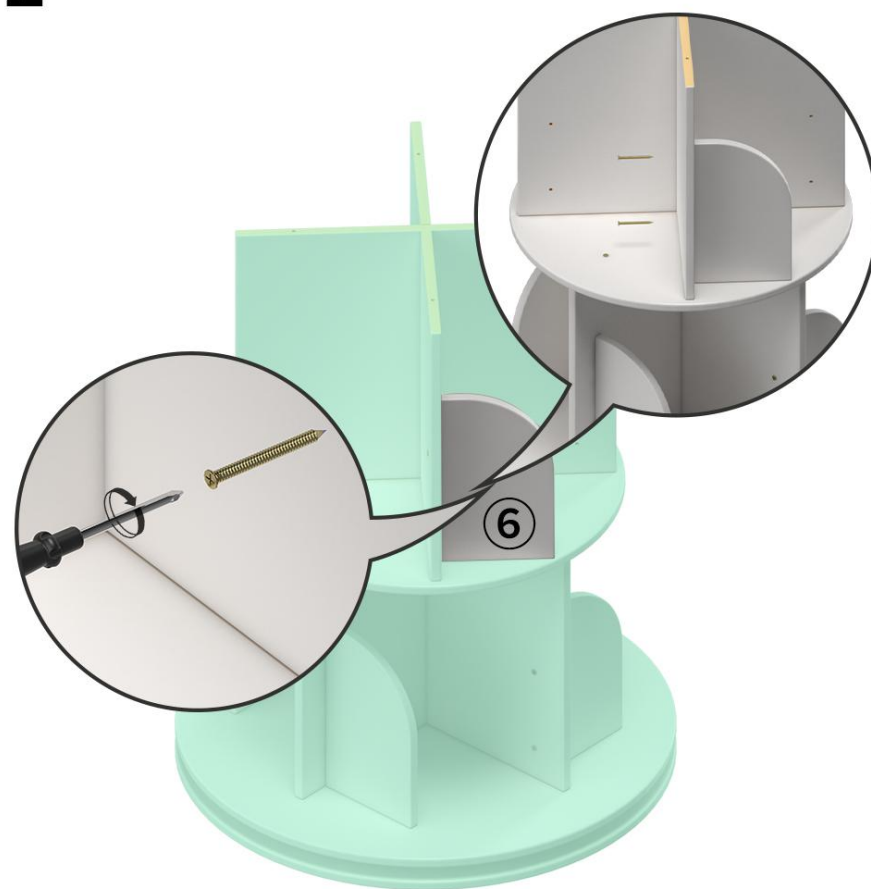
10



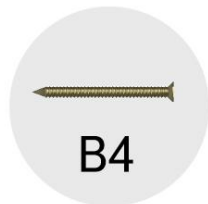
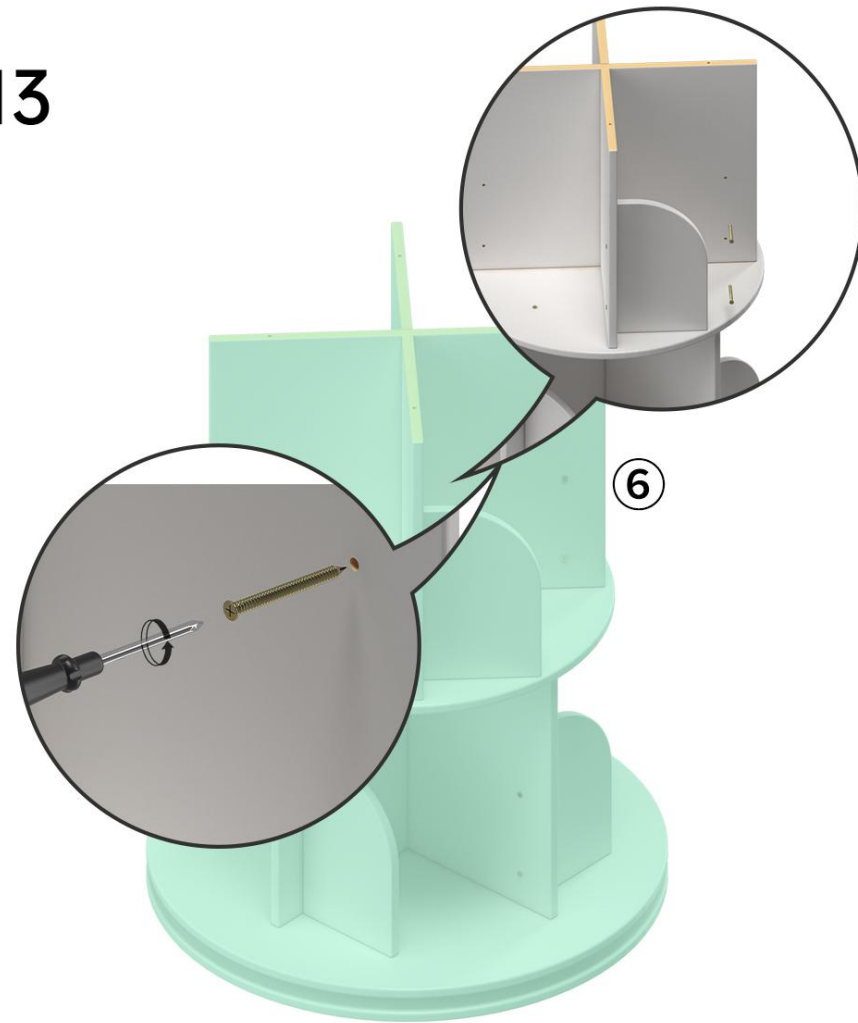
11



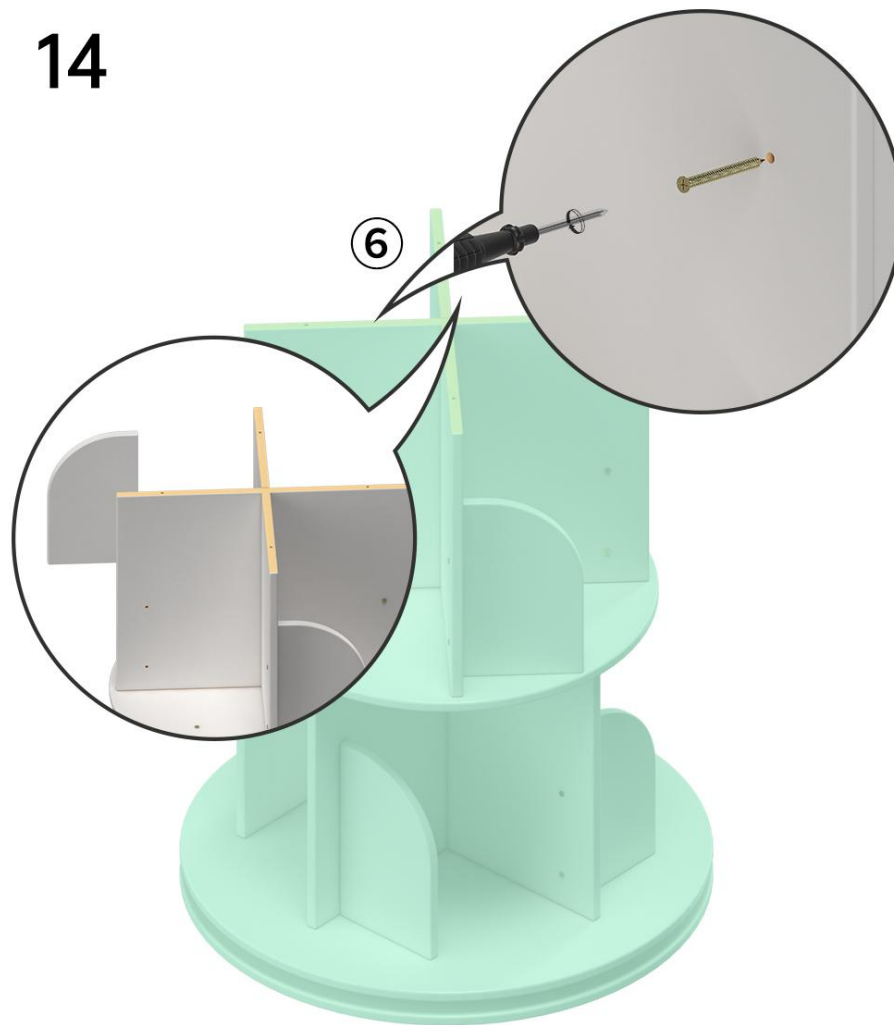
12



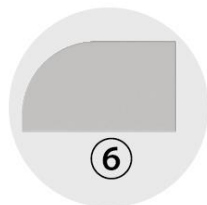
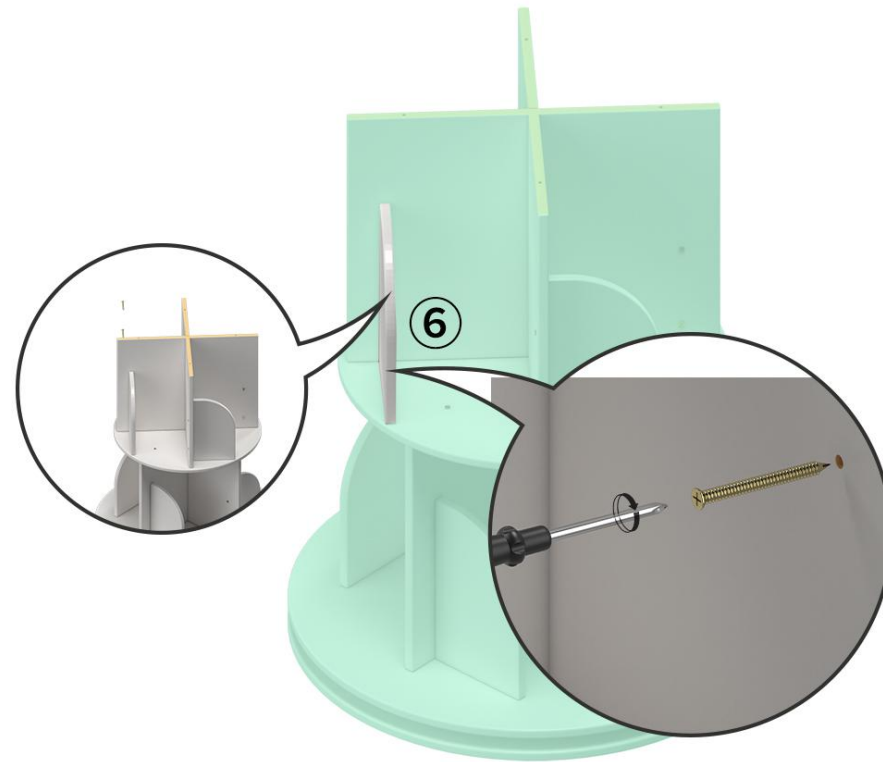
13



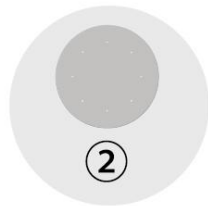
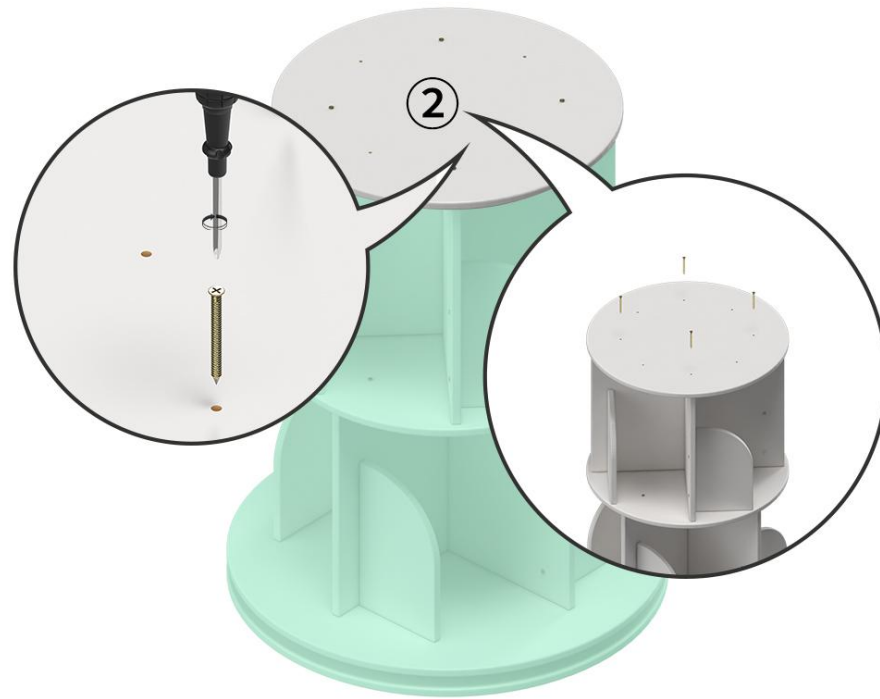
14



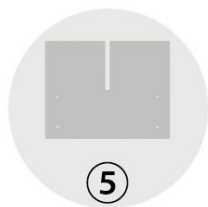
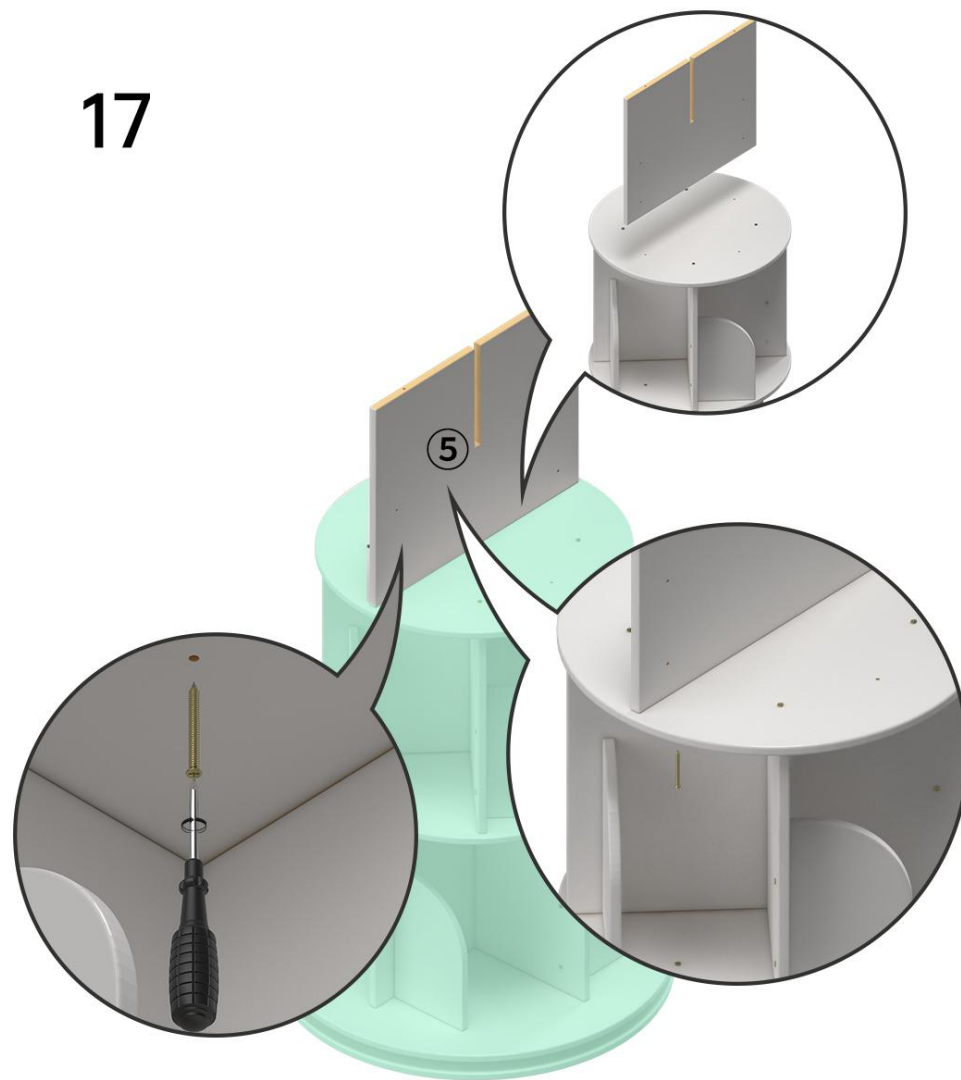
15



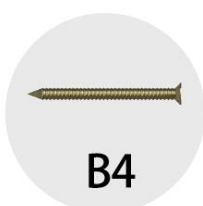
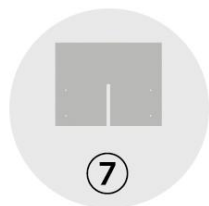
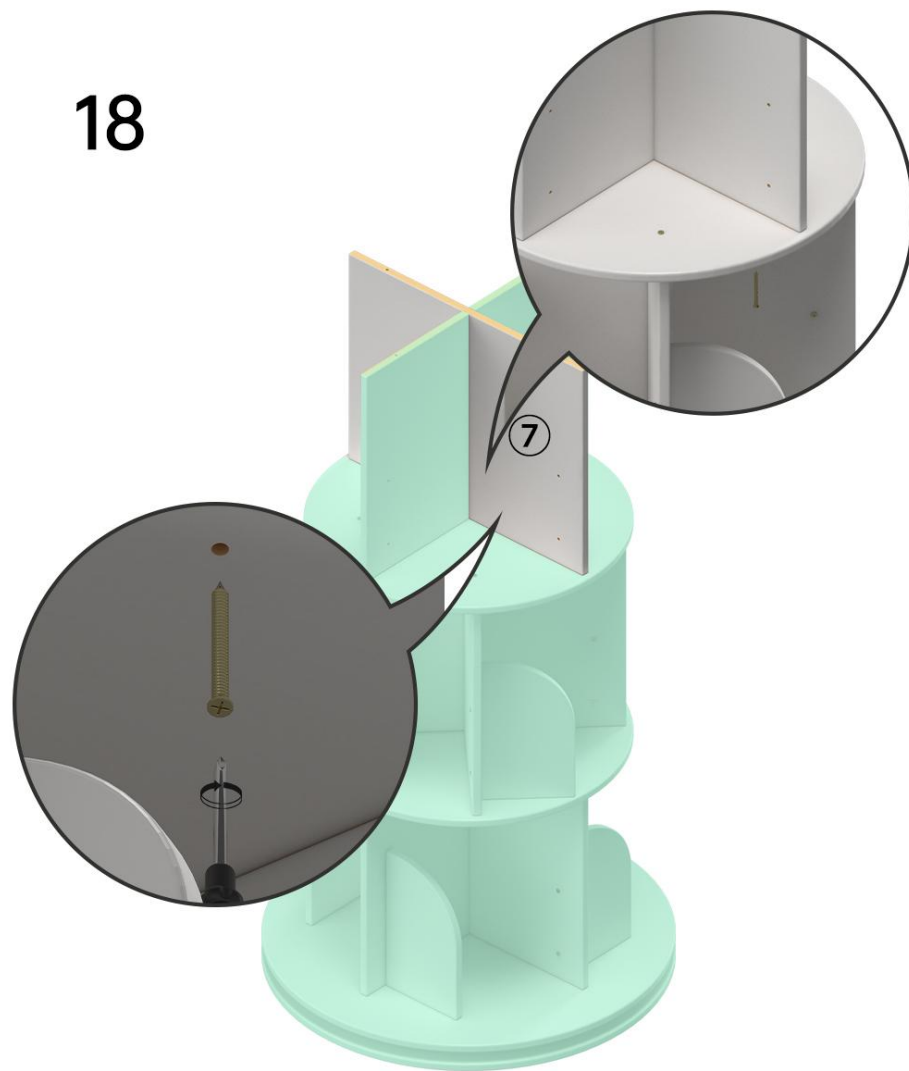
16



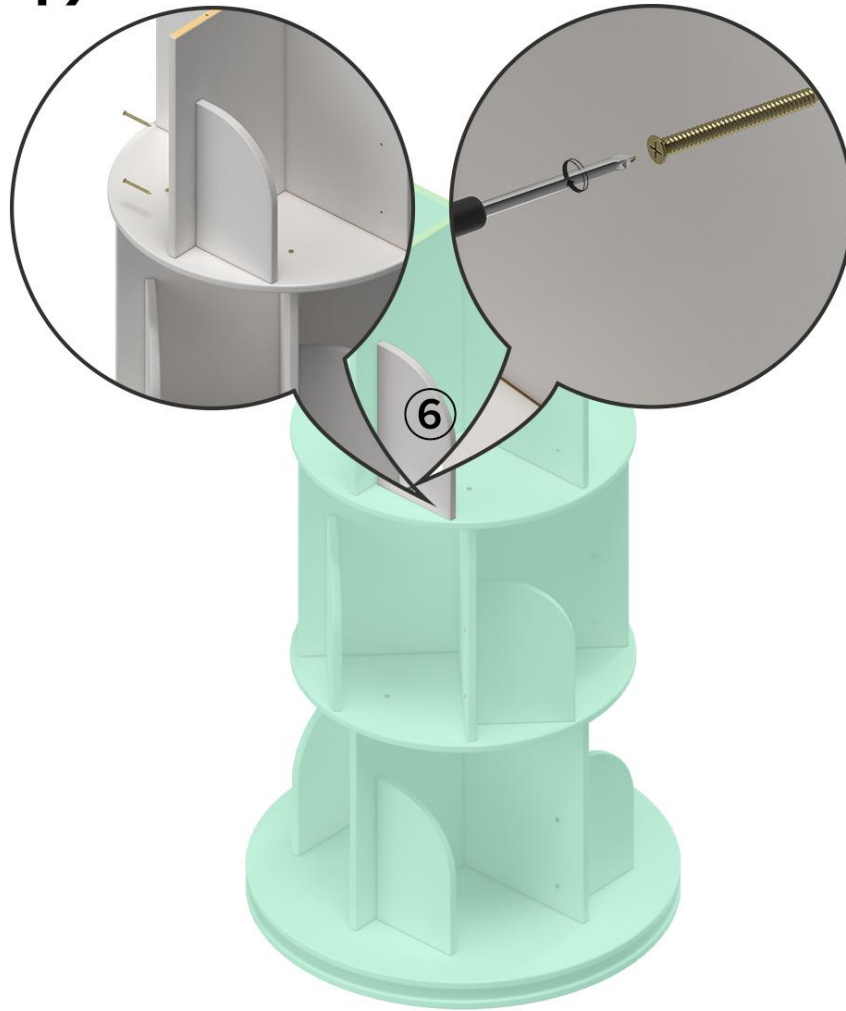
17



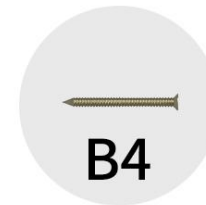
18



19

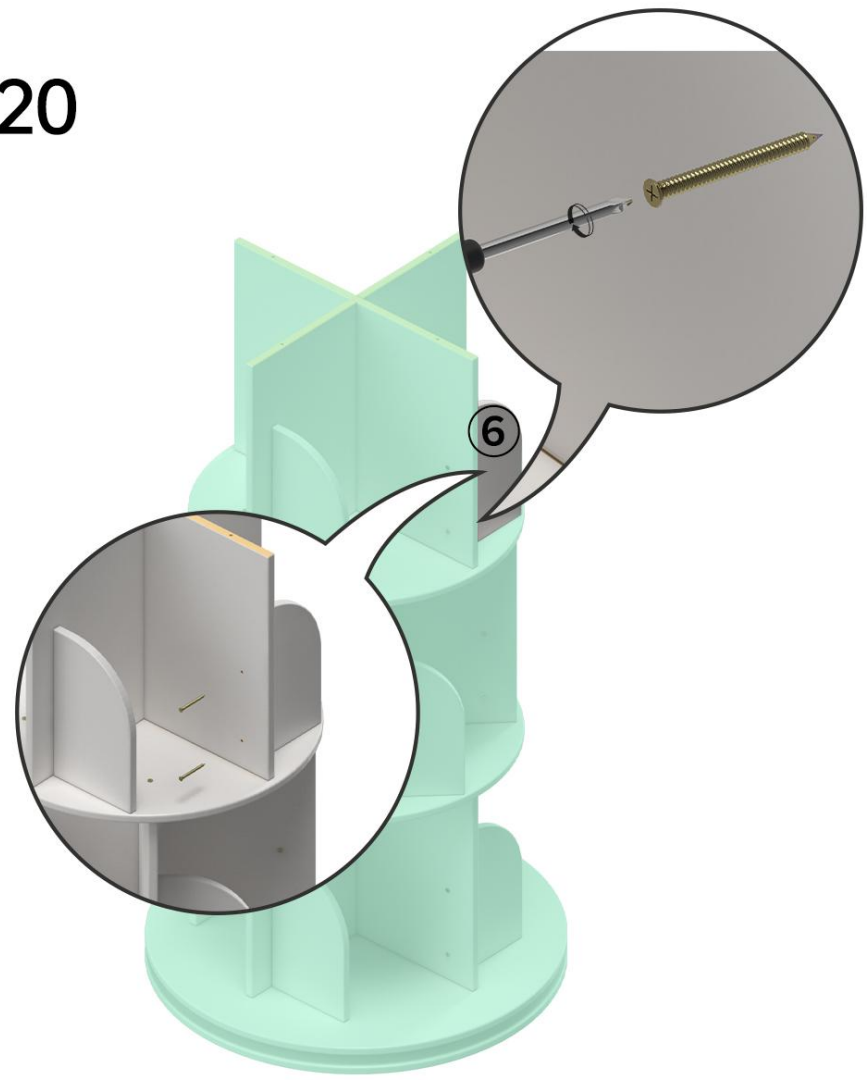


6

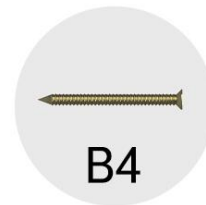
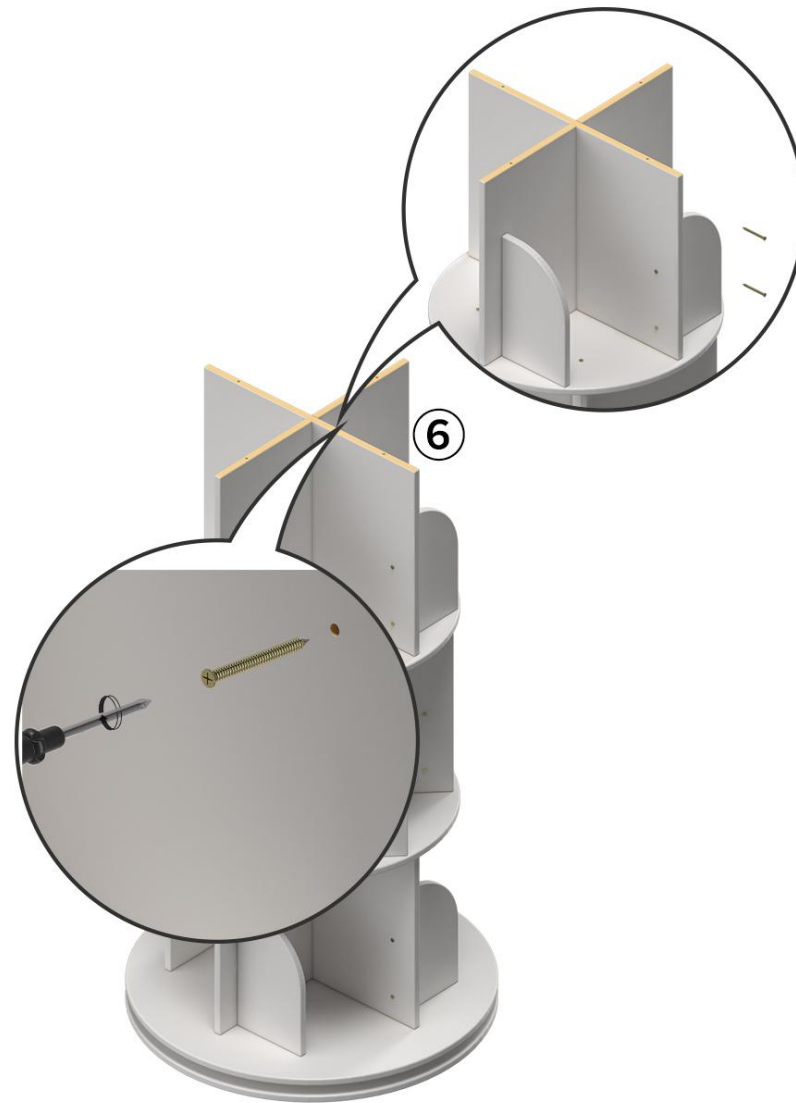


B4

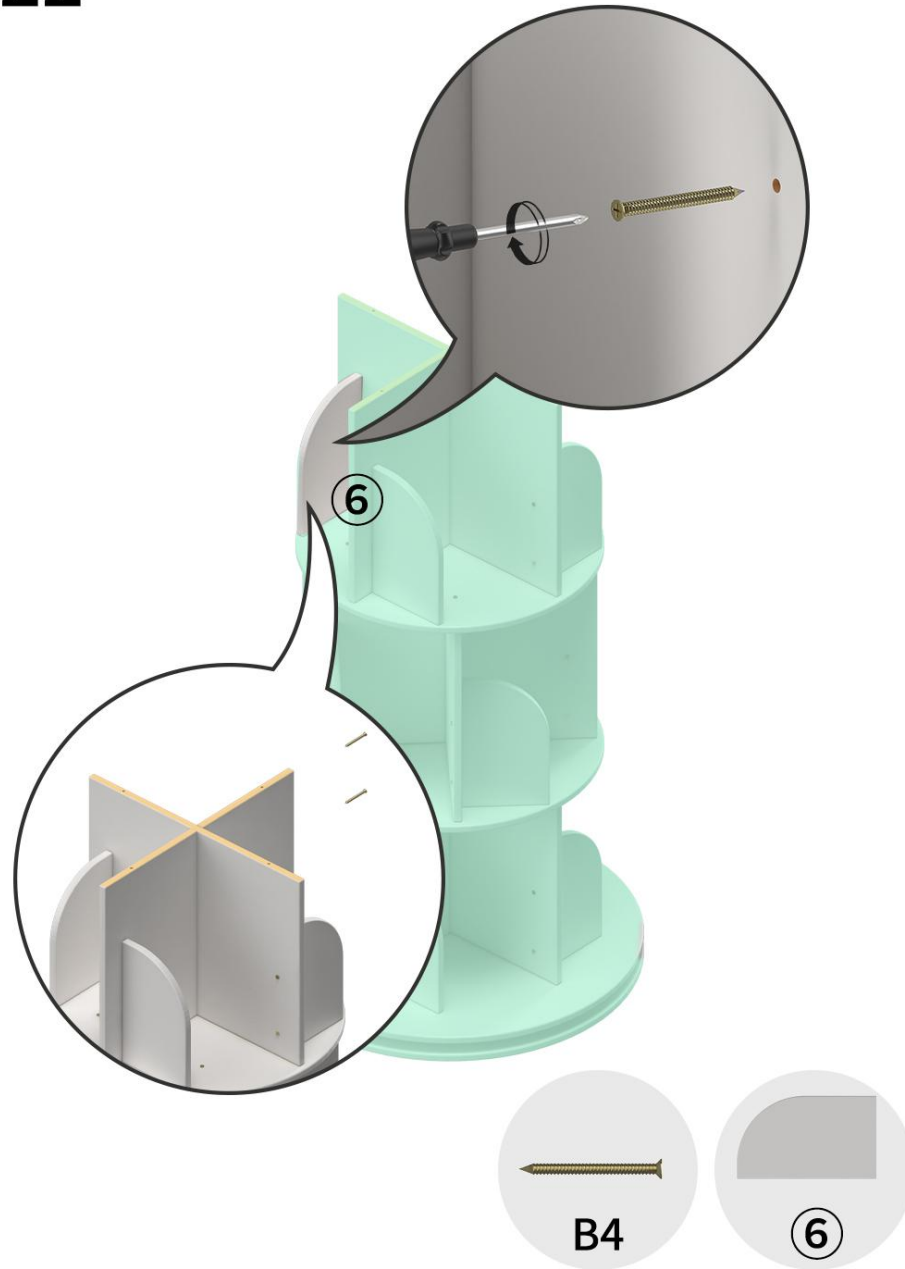
20



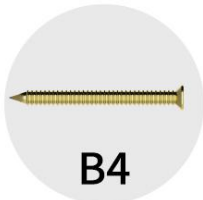
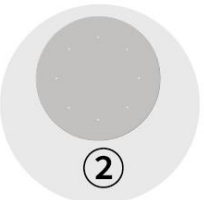
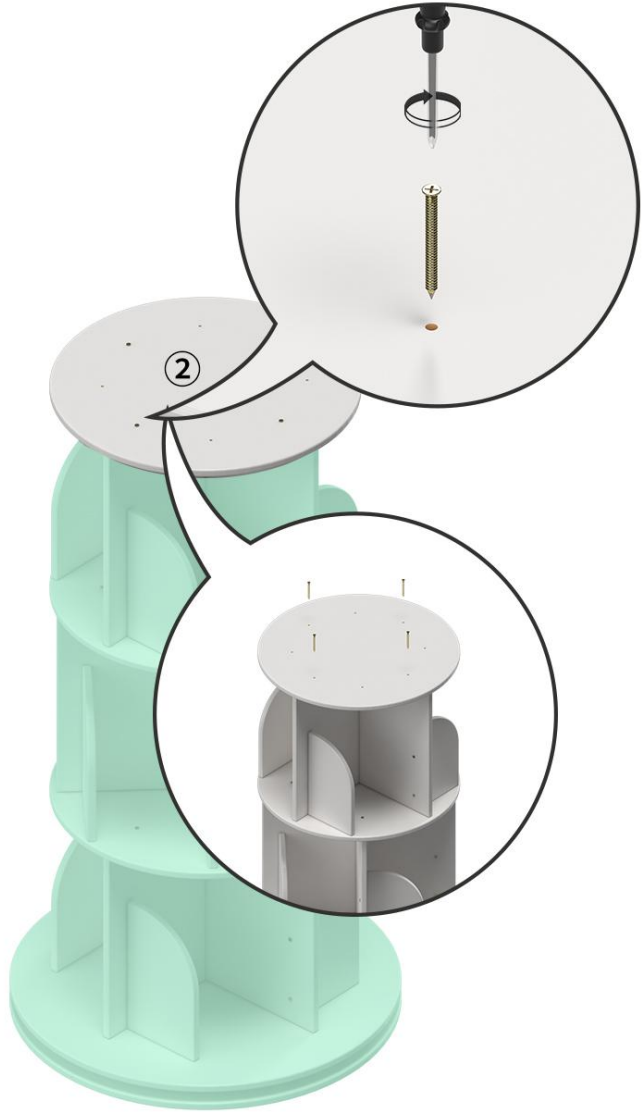
21



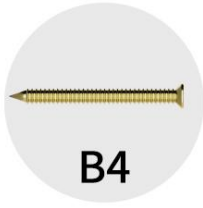
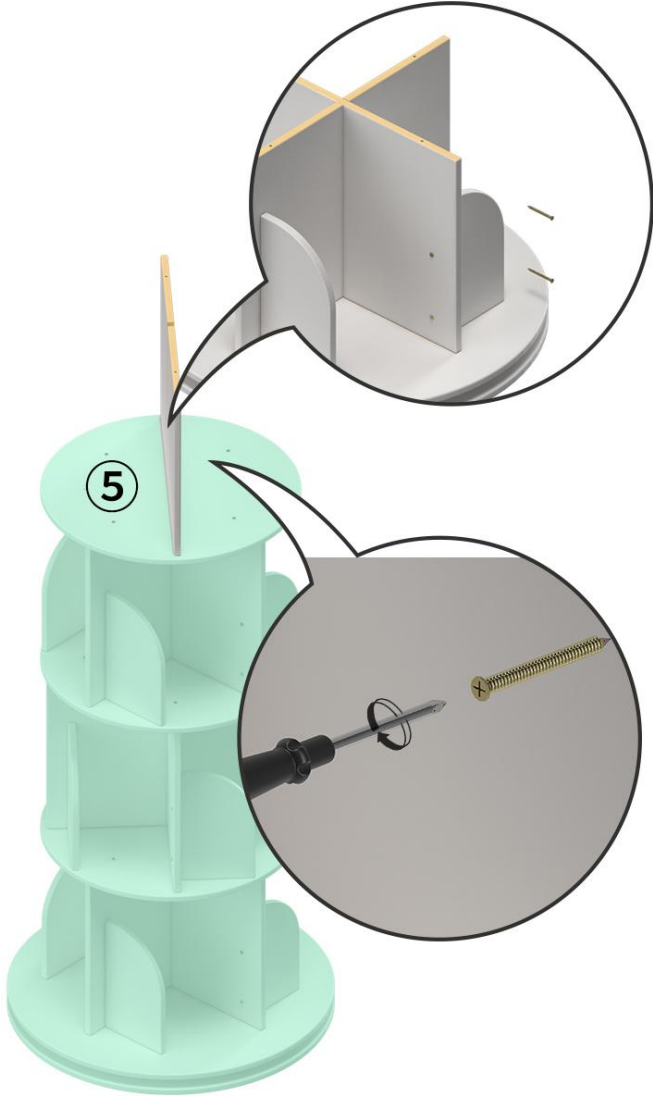
22



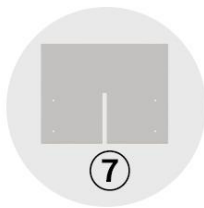
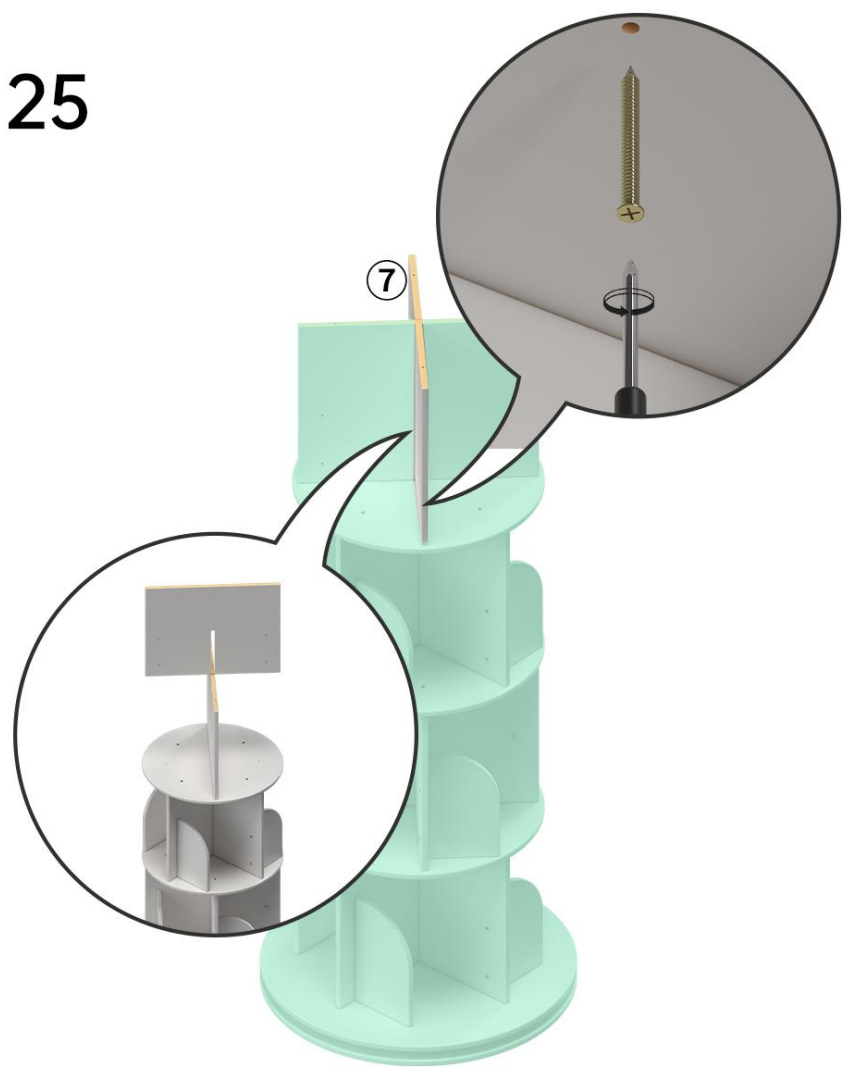
23



24



25

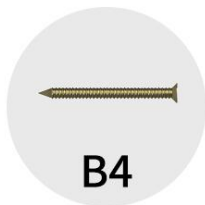
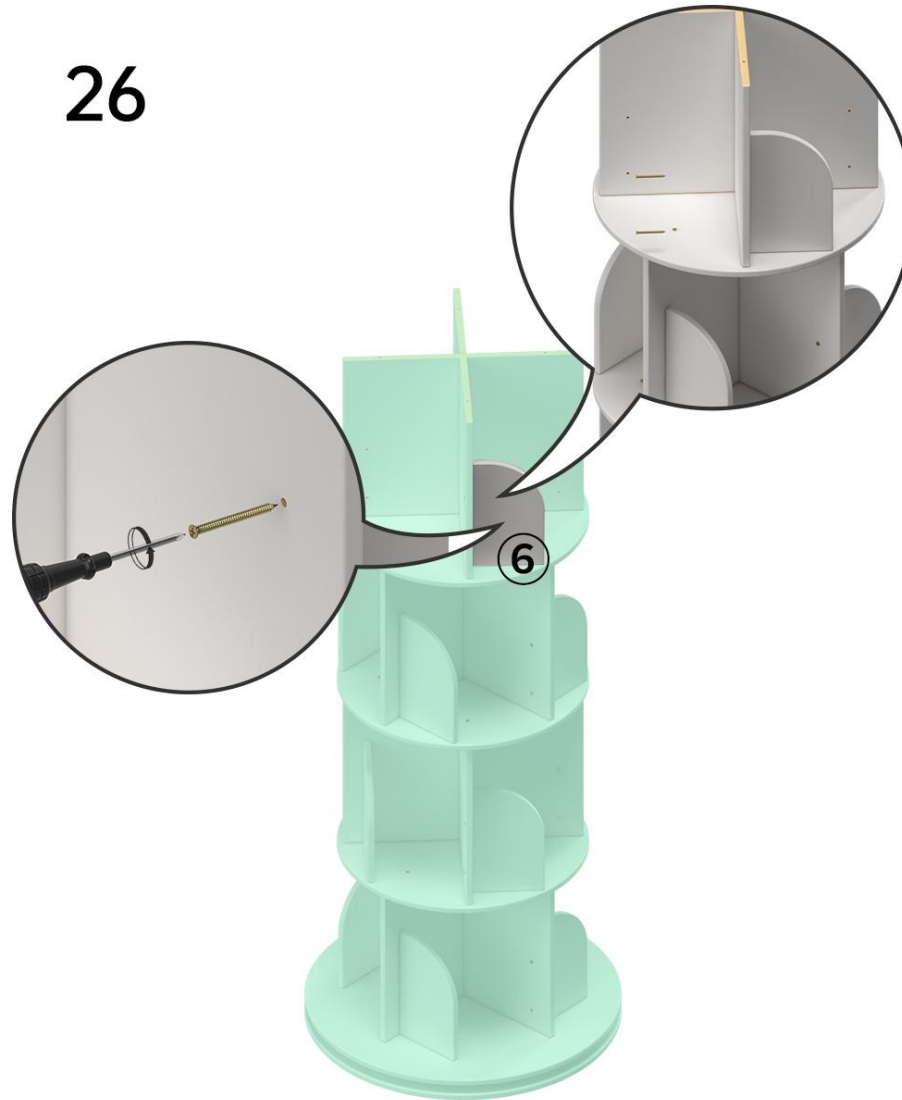


7

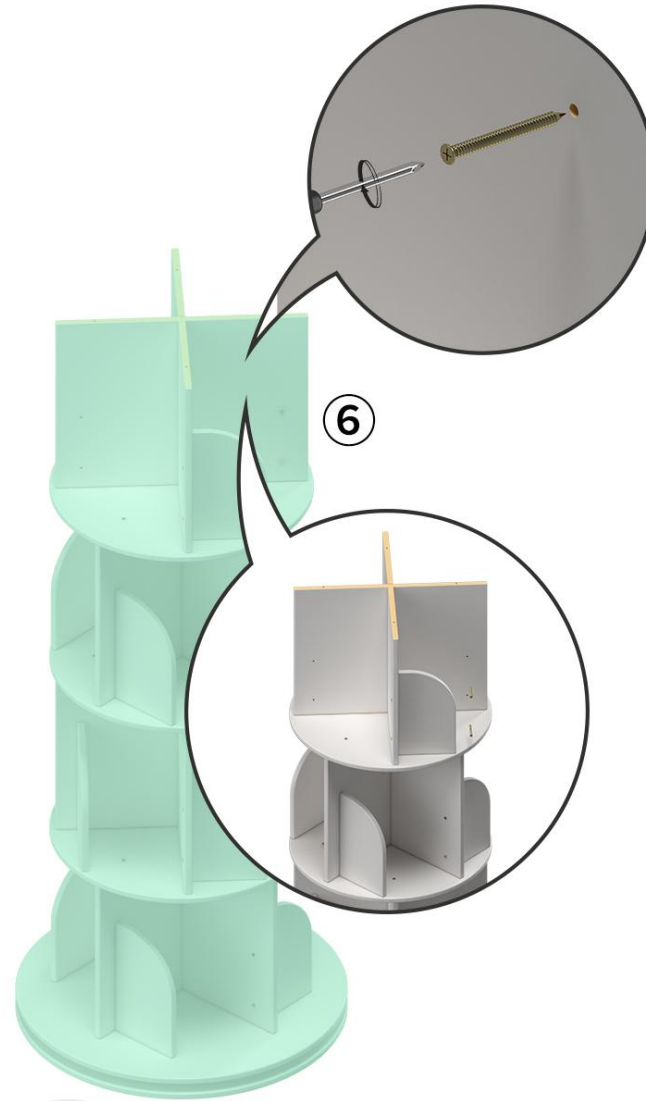


B4

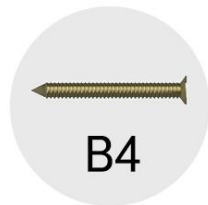
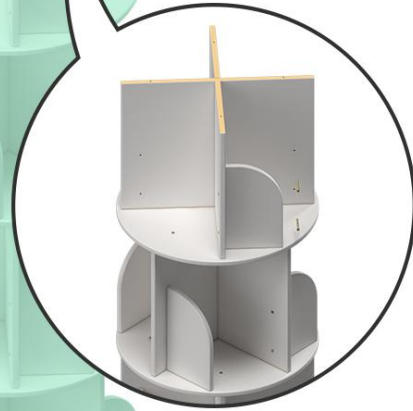
26



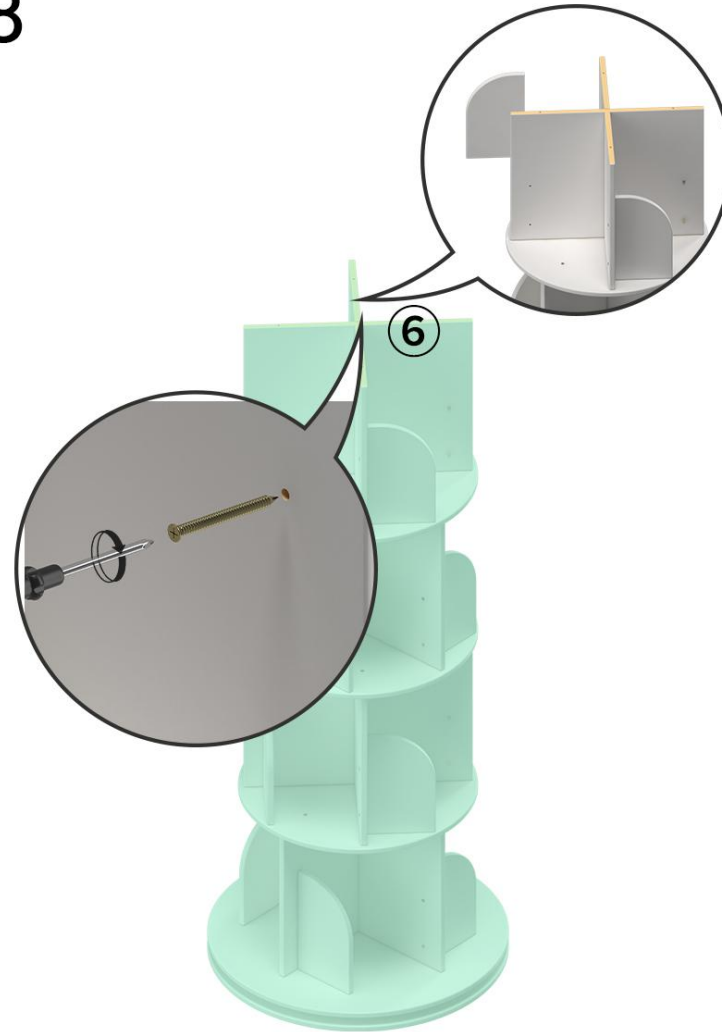
27



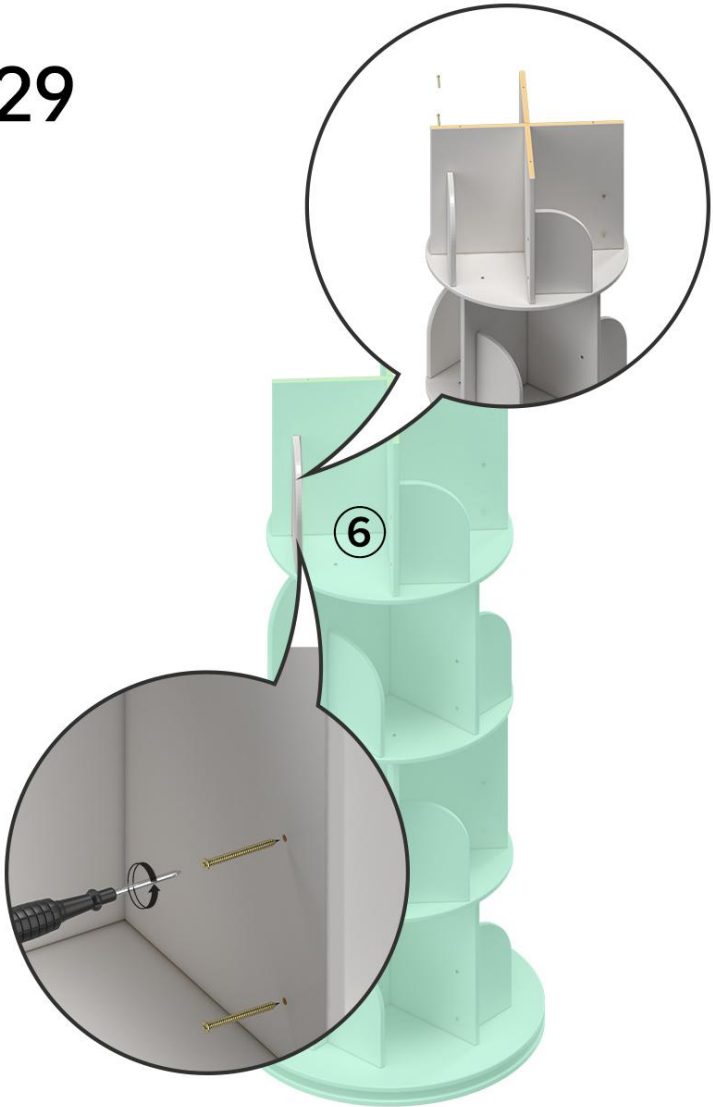
6



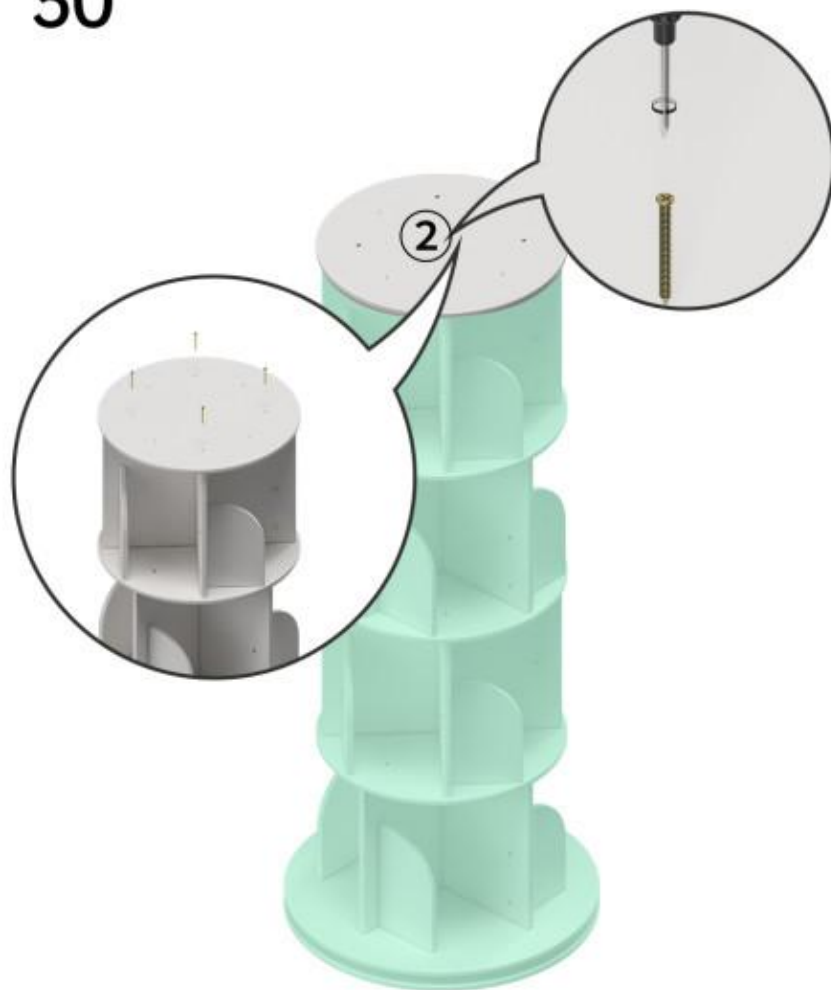
28



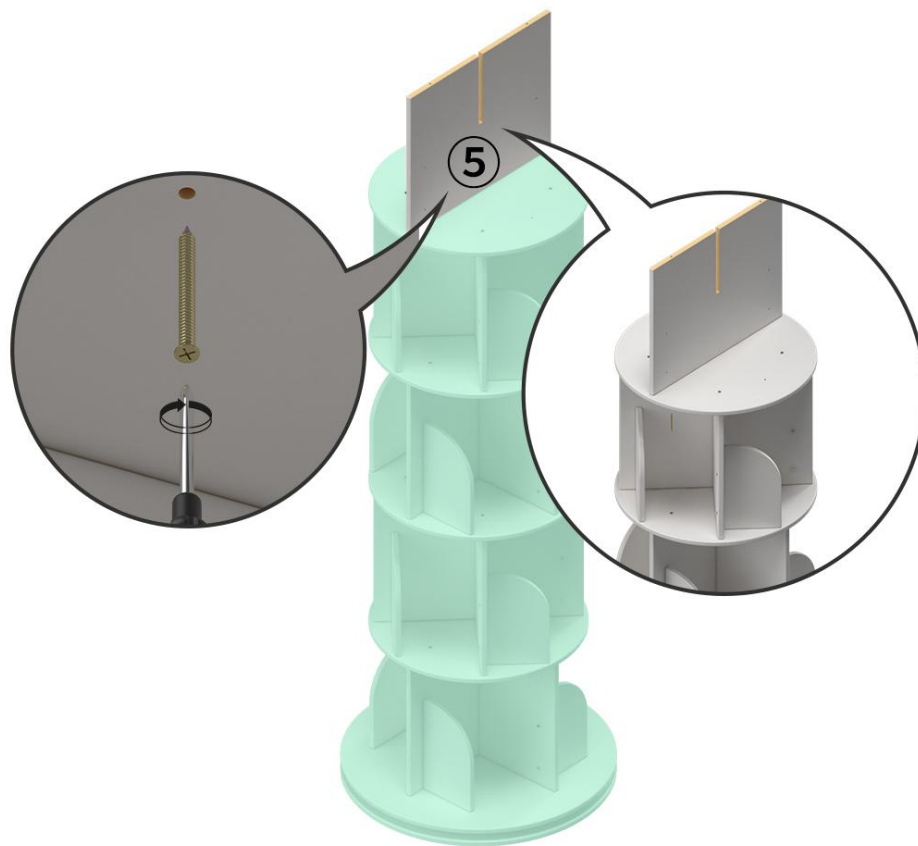
29



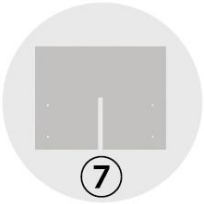
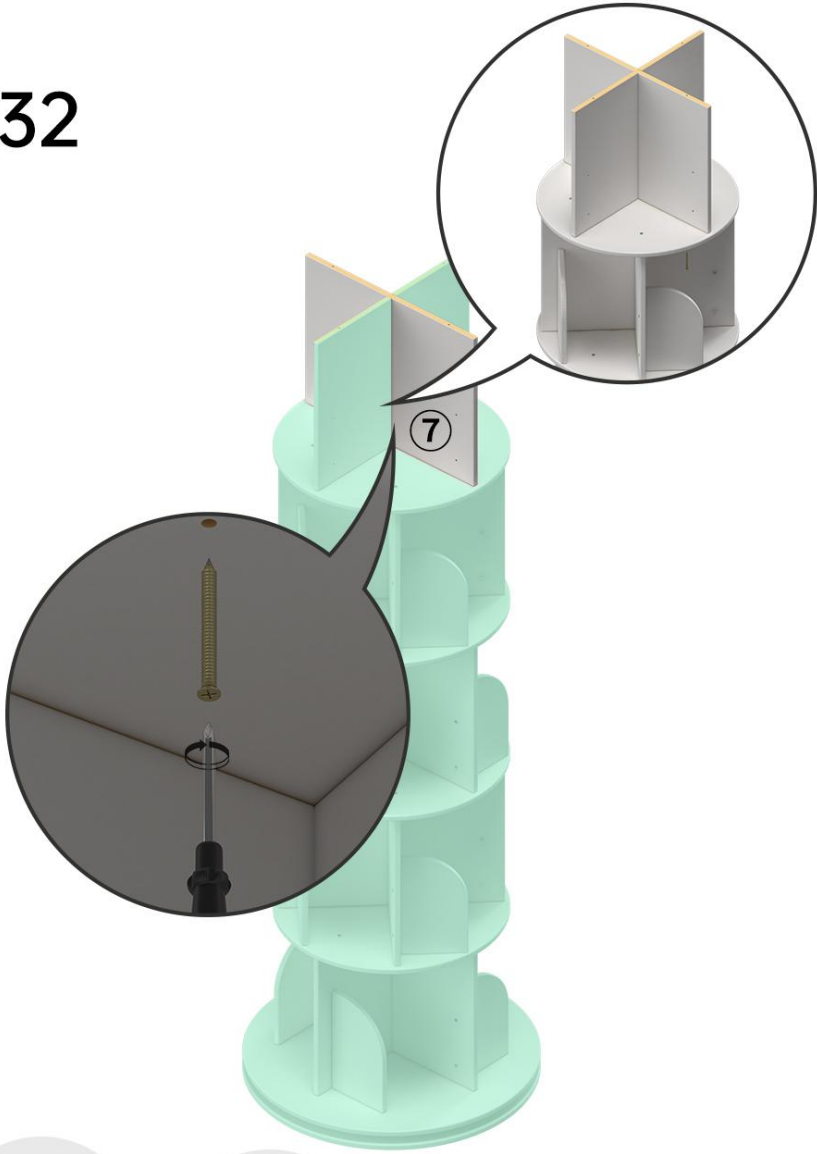
30



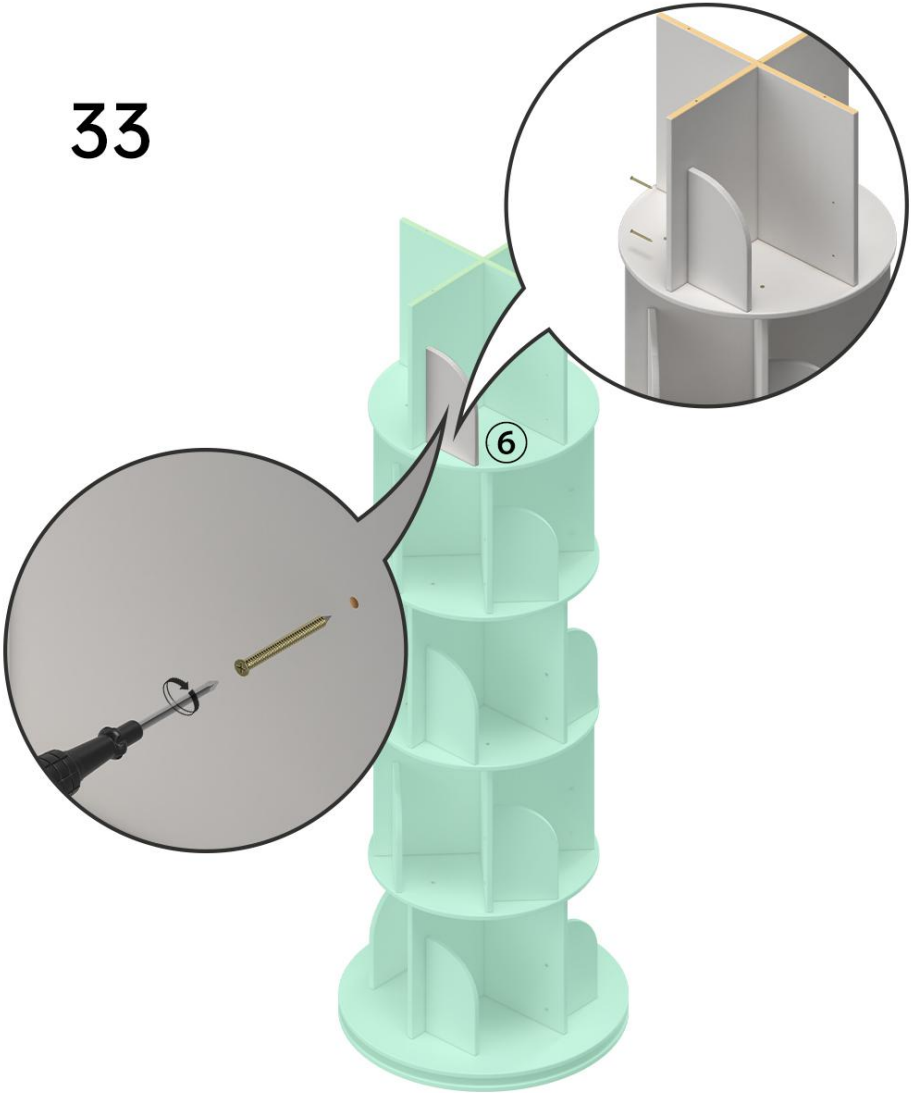
31



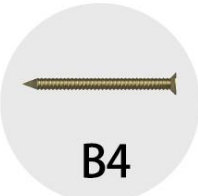
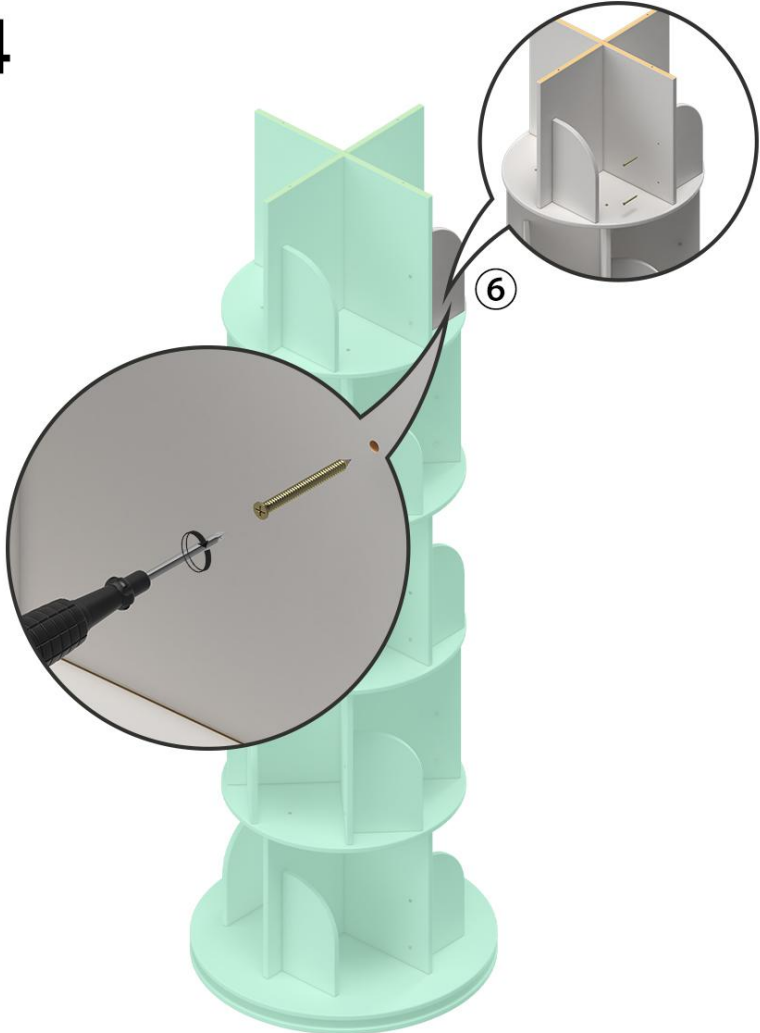
32



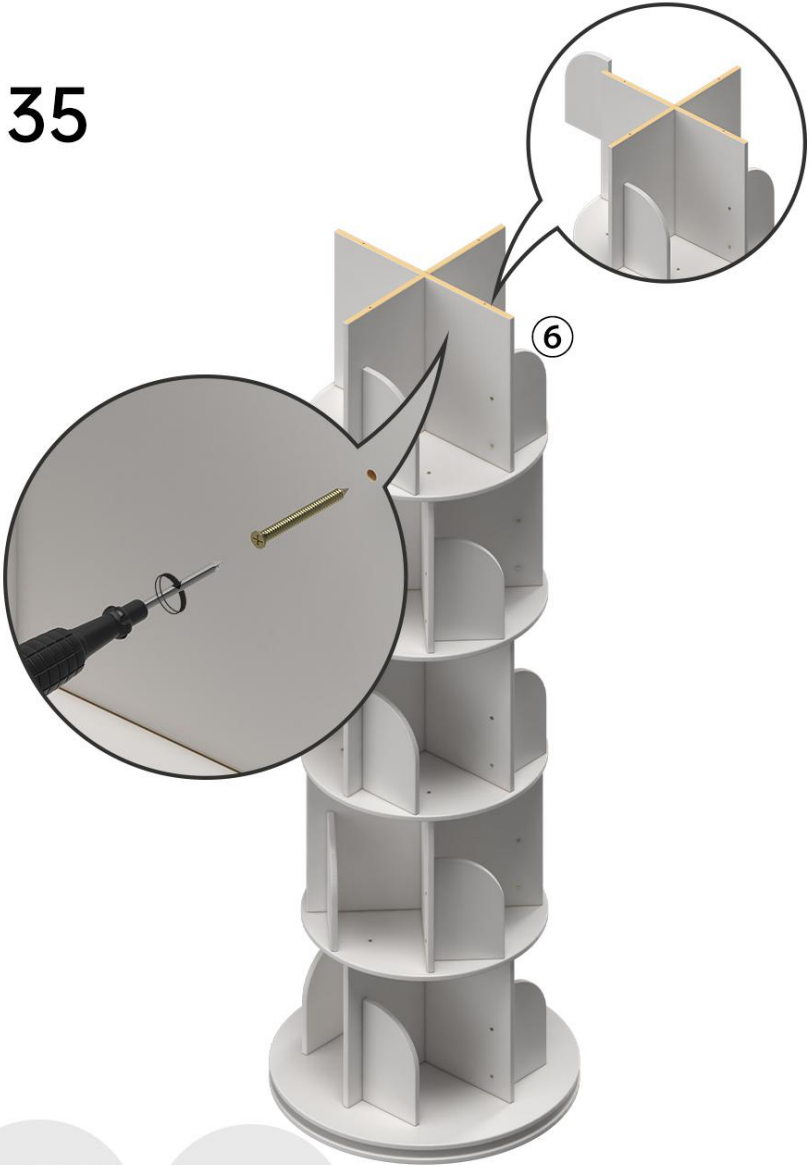
33



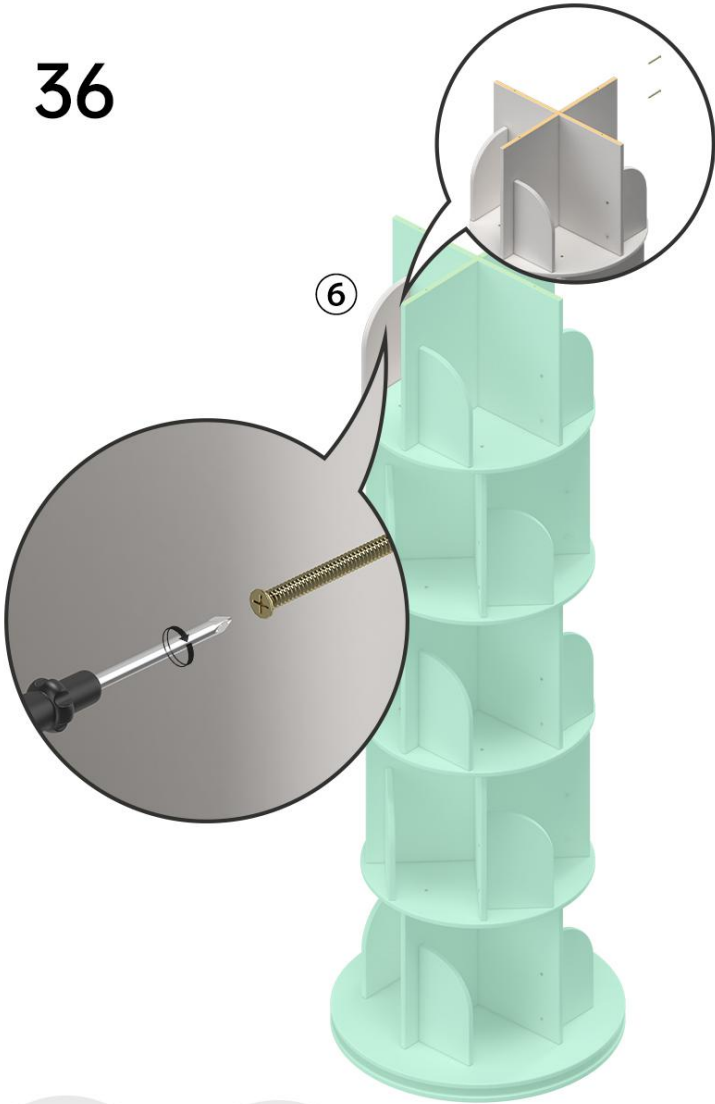
34



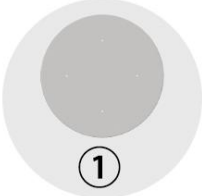
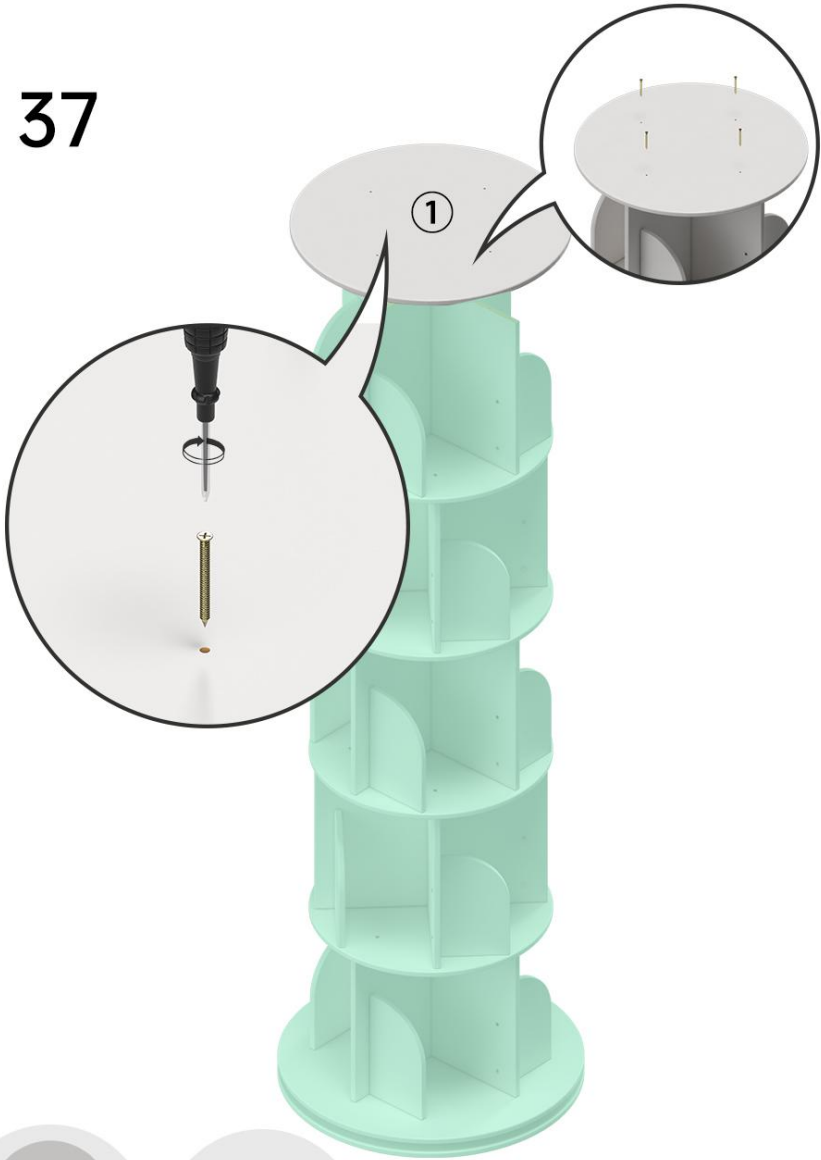
35



36



37



38

