

# Signature Outdoor Kitchen Cabinets

## MASTER INSTALLATION GUIDE



### **WARNING: Excessive weight hazard!**

Use two or more people to move, assemble, or install Cabinet to avoid back injury. Do not leave children unattended near the cabinets. High risk of tipping if cabinets are installed incorrectly: securely attach cabinets to the wall to avoid serious injury.

For assistance, call 1.877.306.8930; e-mail at [info@newageproducts.com](mailto:info@newageproducts.com).



### **ATTENTION:**

Is your Cabinet damaged?  
Need help or spare parts? For fastest service, contact NewAge Products at 1-877-306-8930 or [support@newageproducts.com](mailto:support@newageproducts.com).  
Do not return to the retailer.

# Index

---

<b>Index</b>	2
<b>Unpacking</b>	5
<b>Product Inspection</b>	5
<b>The Signature Outdoor Kitchen Cabinets</b>	6
<b>Weight Capacity</b>	7
<b>Tools Needed</b>	8
<b>Components For Assembled Cabinets</b>	9
<b>Outdoor Area Preparation</b>	16
<b>Installing Legs</b>	20
<b>Installing Toe Kicks</b>	22
<b>Installing the Handles</b>	23
<b>Installing / Removing the Drawers</b>	24
<b>Preparing the Sink Cabinets</b>	25
<b>Assembling the 45° Corner Cabinet</b>	29
<b>Assembling the 90° Corner Cabinet</b>	37
<b>Assembling the 18" &amp; 36" False Frame</b>	45
<b>Attaching the cabinets</b>	54
<b>Creating 45° corner</b>	56
<b>Creating 90° corner</b>	58
<b>Adjusting The Door Hinges</b>	61
<b>Adjusting The Shelves</b>	62
<b>Installing the Anti-tipping Bracket</b>	63
<b>Fiber Cement Panel Overview</b>	67

---

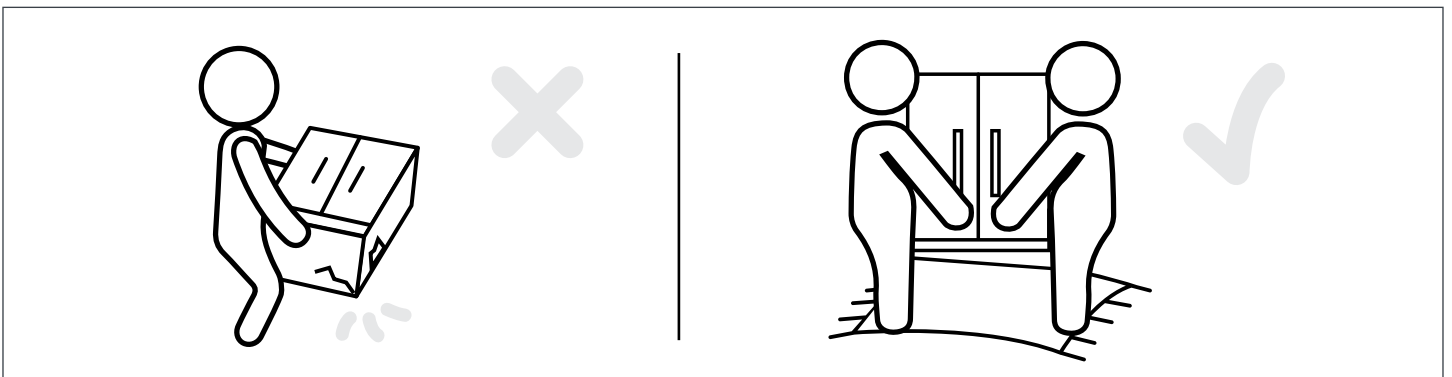
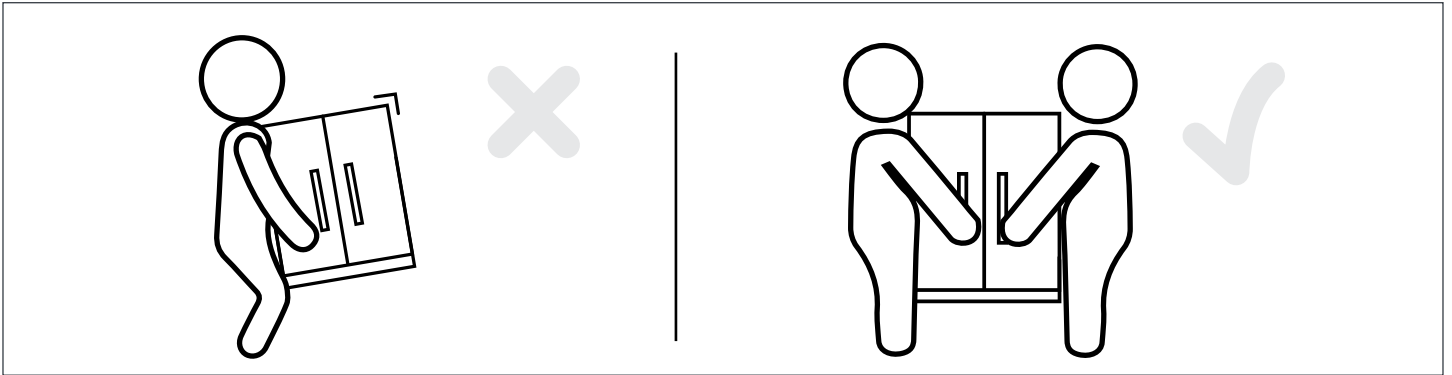


<b>Fiber Cement Panel Installation</b>	68
<b>Fridge Bracket Kit Installation</b>	75
<b>Installing the Insert Grill</b>	81
<b>Installing the Side Burner</b>	83
<b>Installing the Gas Tank</b>	86
<b>Installing the Electrical and Gas Pipelines</b>	88
<b>Preparing the Kamado Cabinets</b>	92
<b>Trim for Fiber Cement Panels</b>	96
<b>Countertop Overview</b>	99
<b>Installing the Countertops</b>	101
<b>Installing the Regular Countertops</b>	102
<b>Installing the Regular 60" Countertops with Fridge</b>	106
<b>Installing the Countertops with Bar Shelf</b>	112
<b>Installing Side End Caps for Sink and Appliance Cabinets</b>	121
<b>Installing Filler Bracket Kit for Insert Grill Cabinets</b>	125
<b>Faucet Installation</b>	129
<b>LED Installation Kit</b>	131
<b>Cabinet Covers</b>	133
<b>Care and Maintenance</b>	145
<b>Spare Parts</b>	147
<b>MANUFACTURER WARRANTY</b>	152

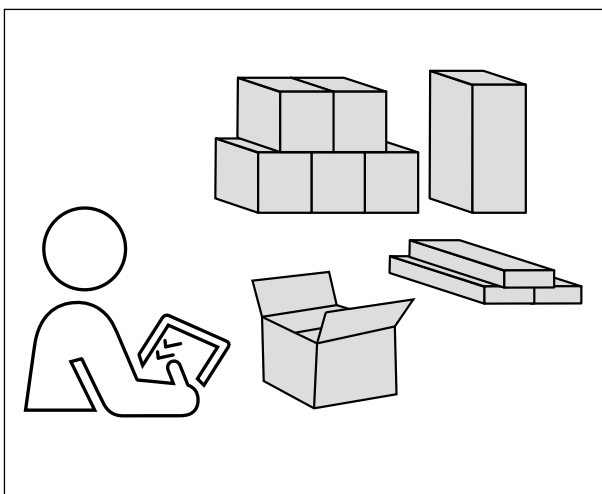
# **PREPARING YOUR CABINETS FOR CREATING OUTDOOR KITCHEN LAYOUTS**

# Unpacking

- Begin by placing the package on a covered flat surface.
- Remove all cardboard and foam packaging material.
- Dispose / recycle all packaging materials.
- Verify all the contents in the box and gather the required tools. See “Tools Needed” in the list below.



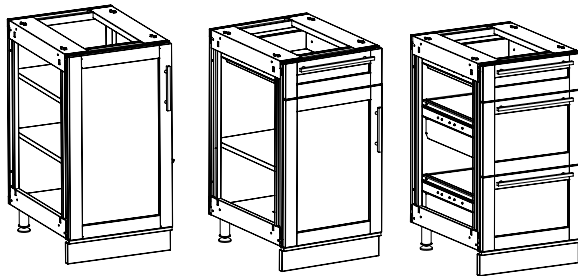
# Product Inspection



- Check to see all parts are received as per the order placed.
- Contact NewAge Products at 1-877-306-8930; for any missing parts.
- Inspect the products for any damages before starting the installation.
- Go through the installation instructions carefully before starting the installation.

# The Signature Outdoor Kitchen Cabinets

## 18" Storage Cabinets

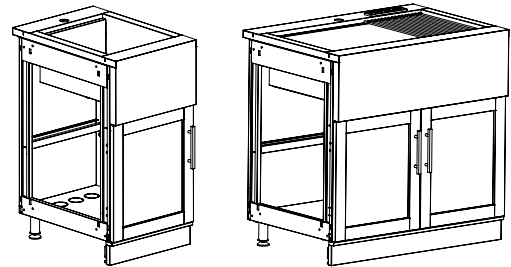


18" 1-Door Cabinet  
SKU : 66106

18" 1-Drawer 1 Door  
Cabinet  
SKU : 66107

18" 3-Drawer Cabinet  
SKU : 66108

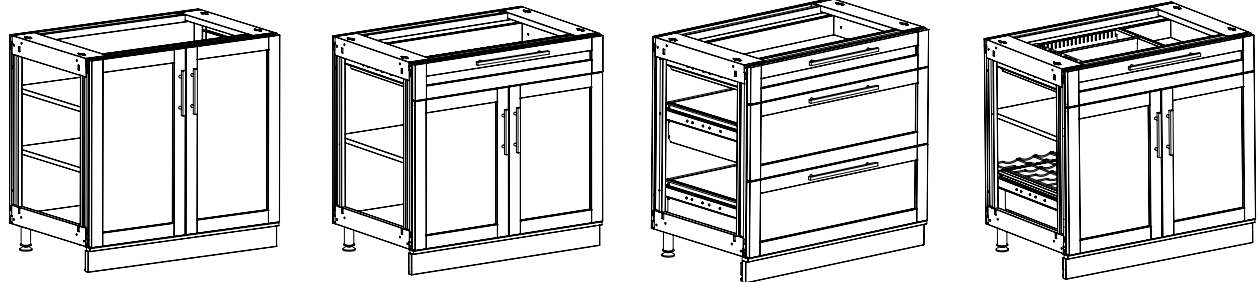
## Farmhouse Sink Cabinets



18" Bar Sink Cabinet  
SKU : 66105

36" Farmhouse Sink  
Cabinet  
SKU : 66104

## 36" Storage Cabinets



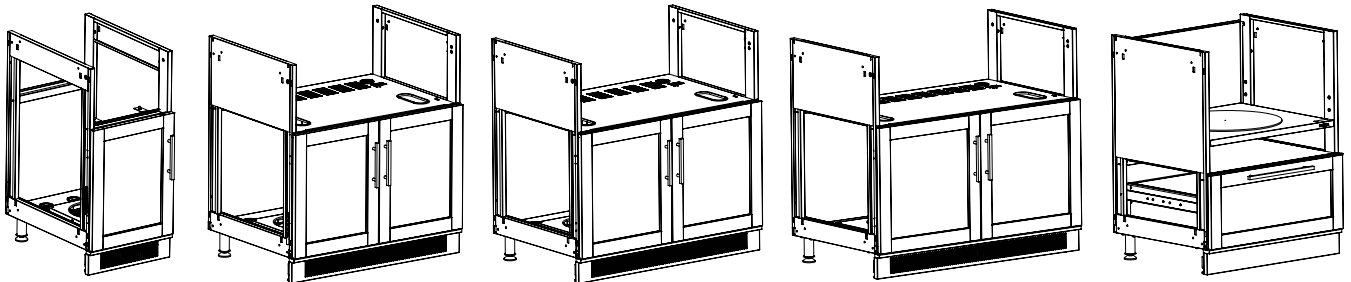
36" 2-Door Cabinet  
SKU : 66109

36" 1-Drawer 2-Door  
Cabinet  
SKU : 66110

36" 3-Drawer Cabinet  
SKU : 66111

36" Bar Cabinet  
SKU : 66112

## Appliance Cabinets



16" Side Burner Cabinet  
SKU : 66100

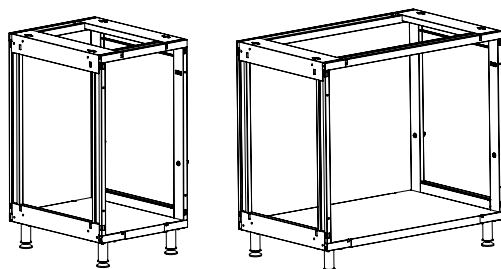
33" Insert Grill Cabinet  
SKU : 66101

36" Insert Grill Cabinet  
SKU : 66117

40" Insert Grill Cabinet  
SKU : 66102

28" Kamado Cabinet  
SKU : 66103

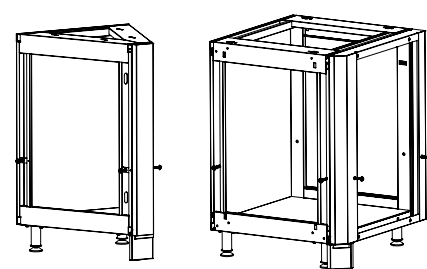
## False Frame Cabinets



18" False Frame  
Cabinet  
SKU : 66113

36" False Frame  
Cabinet  
SKU : 66114

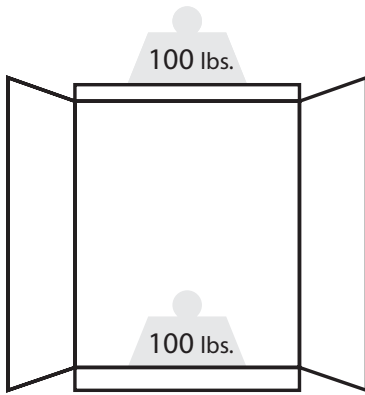
## Corner Cabinets



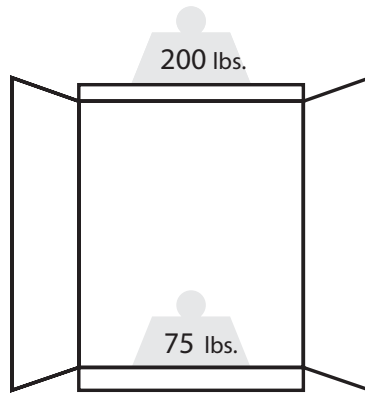
45° Corner Cabinet  
SKU : 66116

90° Corner Cabinet  
SKU : 66115

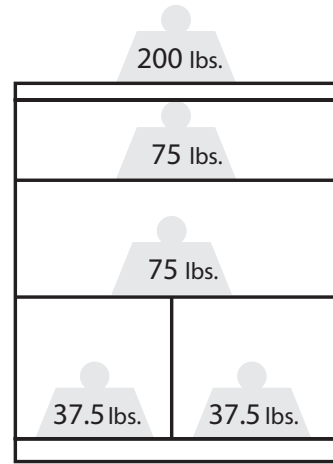
# Weight Capacity



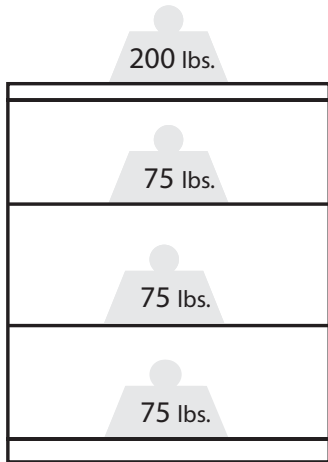
45° Cabinet  
Max 200 lbs.



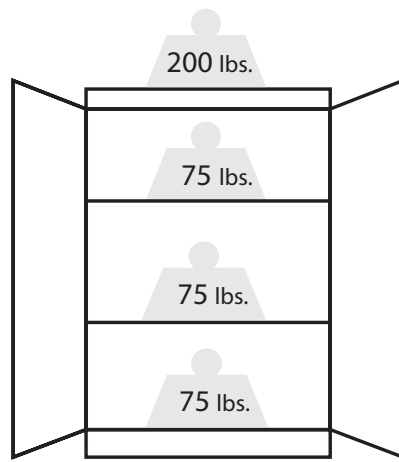
90° Cabinet  
Max 275 lbs.



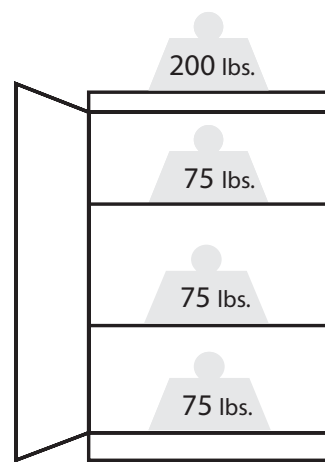
36" Bar Cabinet  
Max 425 lbs.



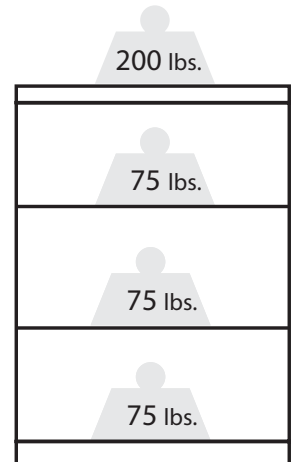
36" 3 Drawer Cabinet  
Max 425 lbs.



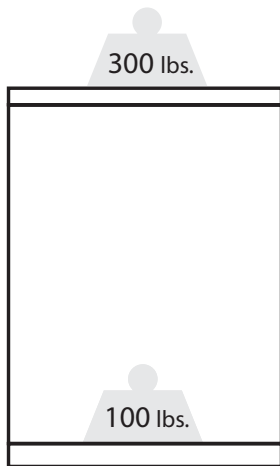
36" 2 Door Cabinet  
Max 425 lbs.



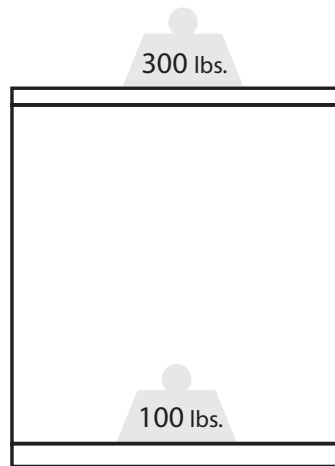
18" 1 Door Cabinet  
Max 425 lbs.



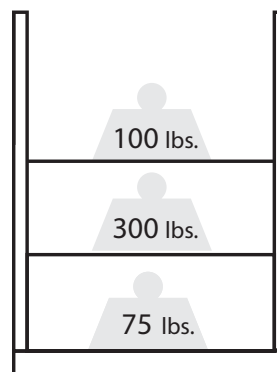
18" 3 Drawer Cabinet  
Max 425 lbs.



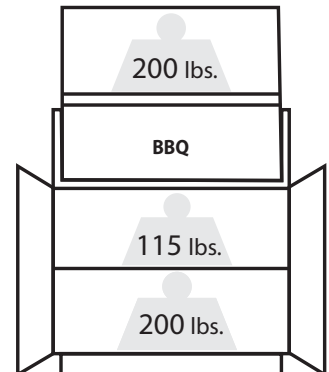
18" Farmhouse  
Sink Cabinet  
Max 425 lbs.



36" Farmhouse  
Sink Cabinet  
Max 425 lbs.

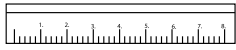


28" Kamado Cabinet  
Max 475 lbs.

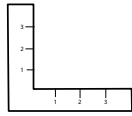


40" Insert Grill  
Max 475 lbs.

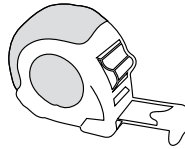
# Tools Needed



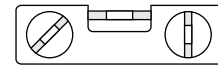
Straight Edge



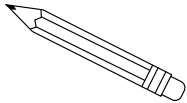
Set Square



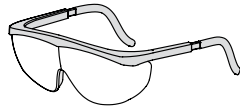
Tape Measure



Magnetic Levelers  
(Small and Large)



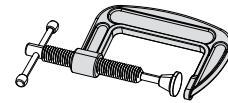
Pencil



Safety Glasses



Face Mask



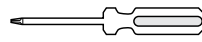
C - Clamps



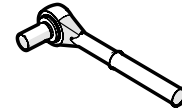
Adjustable wrench



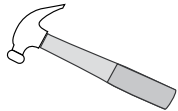
Socket driver wrench



Phillips head screw driver



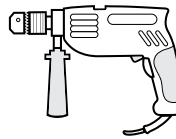
Socket wrench



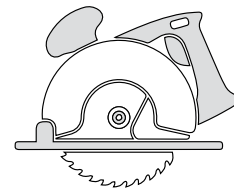
Hammer



Cordless Power Drill



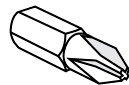
Hammer Drill



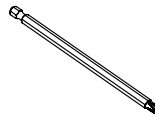
Circular Saw



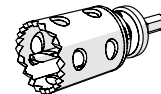
7/16" socket



Phillips Bit



Extended Philips Driver



2" Hole Saw



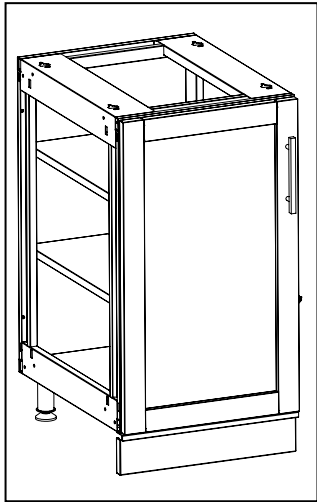
Tin Snips

## Tools Provided



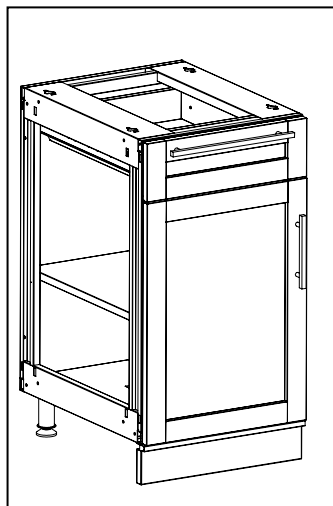
Drill Bit M3.5  
(Supplied)

# Components For Assembled Cabinets



**18" 1- Door Cabinet**  
**SKU : 66106**

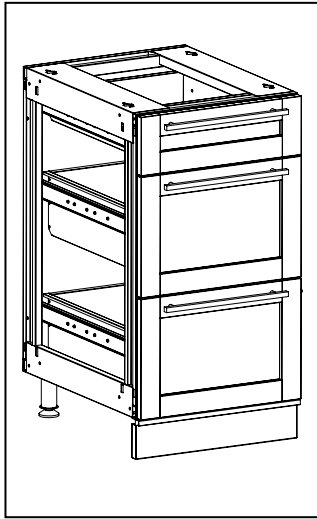
Components	Engg Part No	Function	QTY
<b>Purchased with Door</b>			
Cabinet Frame		-	1
Hex Head Bolt (M6 X 50)	H00198A-01	Connecting Cabinets	2
Flat Washer (M6)	H00199A-01	Connecting Cabinets	4
Hex Nut (M6)	H00200A-01	Connecting Cabinets	2
CSK Head Bolt (M4 X 25)	H00467A-01	Handles	2
Flange Hex Head Screw (M6X12)	H00201A-01	Legs	12
Phillips Flat Head Screw (1.25")	H00721A-01	Fiber Cement Panels	12
Leg	OK2-01.004A-01	-	4
Levelling Leg	H00196A-01	-	4
Toe Kick	OK2-06.003.01.01A-01	-	1
Leg Clip	OK2-01.003.02A-01	Toe Kick	2
Phillips Screw (M4 X 10)	H00204A-01	Toe Kick	4
Cabinet Shelf	OK2-07.003A-01	-	2
Cabinet Shelf Clip	OKC1-07.007A-01	-	8
Rubber Gasket	OK2-10.006A-01	Countertop Sealing	1
Door Handle	OKC1-19.003A-01	-	1



**18" 1-Drawer  
1 Door Cabinet**  
**SKU : 66107**

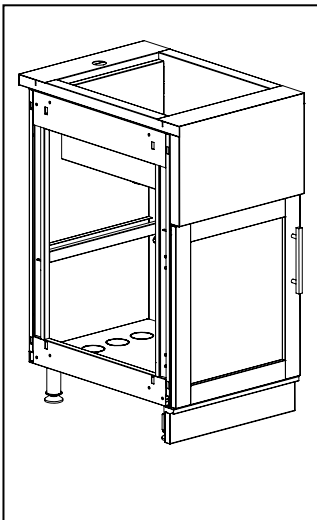
Components	Engg Part No	Function	QTY
<b>Purchased with Door and Drawer</b>			
Cabinet Frame		-	1
Hex Head Bolt (M6 X 50)	H00198A-01	Connecting Cabinets	2
Flat Washer (M6)	H00199A-01	Connecting Cabinets	4
Hex Nut (M6)	H00200A-01	Connecting Cabinets	2
CSK Head Bolt (M4 X 25)	H00467A-01	Handles	4
Flange Hex Head Screw (M6X12)	H00201A-01	Legs	12
Phillips Flat Head Screw (1.25")	H00721A-01	Fiber Cement Panels	12
Leg	OK2-01.004A-01	-	4
Levelling Leg	H00196A-01	-	4
Toe Kick	OK2-06.003.01.01A-01	-	1
Leg Clip	OK2-01.003.02A-01	Toe Kick	2
Phillips Screw (M4 X 10)	H00204A-01	Toe Kick	4
Cabinet Shelf	OK2-07.003A-01	-	1
Cabinet Shelf Clip	OKC1-07.007A-01	-	4
Rubber Gasket	OK2-10.006A-01	Countertop Sealing	1
Door Handle	OKC1-19.003A-01	-	1
Drawer Handle	OKC1-25.003A-01	-	1

# Components For Assembled Cabinets



**18" 3-Drawer Cabinet**  
**SKU : 66108**

Components	Engg Part No	Function	QTY
<b>Purchased with Drawers</b>			
Cabinet Frame		-	1
Hex Head Bolt (M6 X 50)	H00198A-01	Connecting Cabinets	2
Flat Washer (M6)	H00199A-01	Connecting Cabinets	4
Hex Nut (M6)	H00200A-01	Connecting Cabinets	2
Tapcon Screw (M5 X 40)	H00231A-01	Anti-tipping Bracket	6
Wood Screw	H00232A-01	Anti-tipping Bracket	6
CSK Head Bolt (M4 X 25)	H00467A-01	Handles	6
Flange Hex Head Screw (M6X12)	H00532A-01	Legs	12
Phillips Flat Head Screw (1.25")	H00721A-01	Fiber Cement Panels	12
Leg	OK2-01.004A-01	-	4
Levelling Leg	H00196A-01	-	4
Toe Kick	OK2-06.003.01.01A-01	-	1
Leg Clip	OK2-01.003.02A-01	Toe Kick	2
Phillips Screw (M4 X 10)	H00204A-01	Toe Kick	4
Anti-tipping Bracket	OKC1-09.006A-01	-	2
Rubber Gasket	OK2-10.006A-01	Countertop Sealing	1
Drawer Handle	OKC1-25.003A-01	-	3

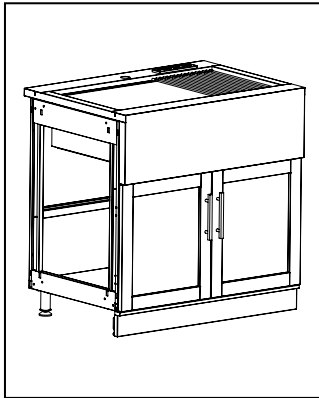


**18" Bar Sink Cabinet**  
**SKU : 66105**

Components	Engg Part No	Function	QTY
<b>Purchased with Door and Sink</b>			
Cabinet Frame		-	1
Hex Head Bolt (M6 X 50)	H00198A-01	Connecting Cabinets	2
Flat Washer (M6)	H00199A-01	Connecting Cabinets	4
Hex Nut (M6)	H00200A-01	Connecting Cabinets	2
CSK Head Bolt (M4 X 25)	H00467A-01	Handles	2
Flange Hex Head Screw (M6X12)	H00532A-01	Legs	12
Phillips Flat Head Screw (1.25")	H00721A-01	Fiber Cement Panels	12
Leg	OK2-01.004A-01	-	4
Levelling Leg	H00196A-01	-	4
Toe Kick	OK2-06.003.01.01A-01	-	1
Leg Clip	OK2-01.003.02A-01	Toe Kick	2
Phillips Screw (M4 X 10)	H00204A-01	Toe Kick	4
Rubber Gasket	OK2-10.006A-01	Countertop Sealing	1
Door Handle	OKC1-19.003A-01	-	1

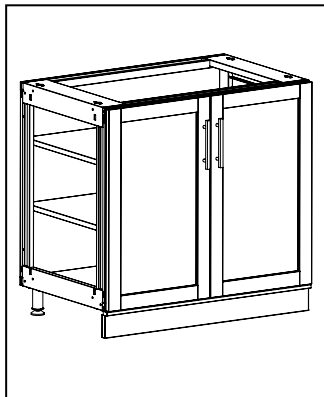


# Components For Assembled Cabinets



**36" Farmhouse Sink Cabinet**  
SKU : 66104

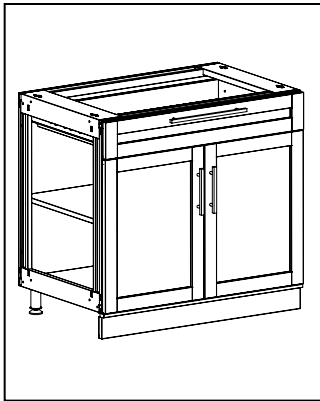
Components	Engg Part No	Function	QTY
<b>Purchased with Doors and Sink</b>			
Cabinet Frame		-	1
Hex Head Bolt (M6 X 50)	H00198A-01	Connecting Cabinets	2
Flat Washer (M6)	H00199A-01	Connecting Cabinets	4
Hex Nut (M6)	H00200A-01	Connecting Cabinets	2
CSK Head Bolt (M4 X 25)	H00467A-01	Handles	4
Flange Hex Head Screw (M6X12)	H00532A-01	Legs	12
Phillips Flat Head Screw (1.25")	H00721A-01	Fiber Cement Panels	12
Leg	OK2-01.004A-01	-	4
Levelling Leg	H00196A-01	-	4
Toe Kick	OK2-05.004.01.01A-01	-	1
Leg Clip	OK2-01.003.02A-01	Toe Kick	2
Phillips Screw (M4 X 10)	H00204A-01	Toe Kick	4
Dry Rack Assembly	OK2-05.005A-01	Sink	1
Rubber Gasket	OK2-10.006A-01	Countertop Sealing	1
Door Handle	OKC1-19.003A-01	-	2



**36" 2-Door Cabinet**  
SKU : 66109

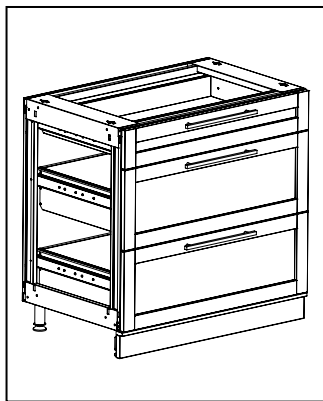
Components	Engg Part No	Function	QTY
<b>Purchased with Door</b>			
Cabinet Frame		-	1
Hex Head Bolt (M6 X 50)	H00198A-01	Connecting Cabinets	2
Flat Washer (M6)	H00199A-01	Connecting Cabinets	4
Hex Nut (M6)	H00200A-01	Connecting Cabinets	2
CSK Head Bolt (M4 X 25)	H00467A-01	Handles	4
Flange Hex Head Screw (M6X12)	H00532A-01	Legs	12
Phillips Flat Head Screw (1.25")	H00721A-01	Fiber Cement Panels	12
Leg	OK2-01.004A-01	-	4
Levelling Leg	H00196A-01	-	4
Toe Kick	OK2-05.004.01.01A-01	-	1
Leg Clip	OK2-01.003.02A-01	Toe Kick	2
Phillips Screw (M4 X 10)	H00204A-01	Toe Kick	4
Cabinet Shelf	OK2-10.004A-01	-	2
Cabinet Shelf Clip	OKC1-07.007A-01	-	8
Rubber Gasket	OK2-10.006A-01	Countertop Sealing	1
Door Handle	OKC1-19.003A-01	-	2

# Components For Assembled Cabinets



**36" 1-Drawer  
2-Door Cabinet  
SKU : 66110**

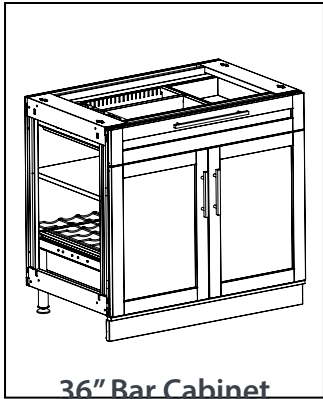
Components	Engg Part No	Function	QTY
<b>Purchased with Door and Drawer</b>			
Cabinet Frame		-	1
Hex Head Bolt (M6 X 50)	H00198A-01	Connecting Cabinets	2
Flat Washer (M6)	H00199A-01	Connecting Cabinets	4
Hex Nut (M6)	H00200A-01	Connecting Cabinets	2
CSK Head Bolt (M4 X 25)	H00467A-01	Handles	6
Flange Hex Head Screw (M6X12)	H00532A-01	Legs	12
Phillips Flat Head Screw (1.25")	H00721A-01	Fiber Cement Panels	12
Leg	OK2-01.004A-01	-	4
Levelling Leg	H00196A-01	-	4
Toe Kick	OK2-05.004A-01	-	1
Leg Clip	OK2-01.003.02A-01	Toe Kick	2
Phillips Screw (M4 X 10)	H00204A-01	Toe Kick	4
Cabinet Shelf	OK2-10.004A-01	-	1
Cabinet Shelf Clip	OKC1-07.007A-01	-	4
Rubber Gasket	OK2-10.006A-01	Countertop Sealing	1
Door Handle	OKC1-19.003A-01	-	2
Drawer Handle	OKC1-25.003A-01	-	1



**36" 3-Drawer  
Cabinet  
SKU : 66111**

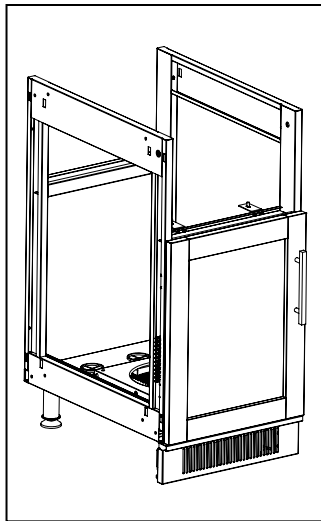
Components	Engg Part No	Function	QTY
<b>Purchased with Drawers</b>			
Cabinet Frame		-	1
Hex Head Bolt (M6 X 50)	H00198A-01	Connecting Cabinets	2
Flat Washer (M6)	H00199A-01	Connecting Cabinets	4
Hex Nut (M6)	H00200A-01	Connecting Cabinets	2
Tapcon Screw (M5 X 40)	H00231A-01	Anti-tipping Bracket	6
Wood Screw	H00232A-01	Anti-tipping Bracket	6
CSK Head Bolt (M4 X 25)	H00467A-01	Handles	6
Flange Hex Head Screw (M6X12)	H00532A-01	Legs	12
Phillips Flat Head Screw (1.25")	H00721A-01	Fiber Cement Panels	12
Leg	OK2-01.004A-01	-	4
Levelling Leg	H00196A-01	-	4
Toe Kick	OK2-05.004A-01	-	1
Leg Clip	OK2-01.003.02A-01	Toe Kick	2
Phillips Screw (M4 X 10)	H00204A-01	Toe Kick	4
Anti-tipping Bracket	OKC1-09.006A-01	-	2
Rubber Gasket	OK2-10.006A-01	-	1
Drawer Handle	OKC1-25.003A-01	-	3

# Components For Assembled Cabinets



**36" Bar Cabinet**  
SKU : 66112

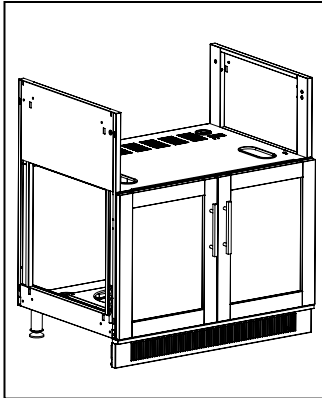
Components	Engg Part No	Function	QTY
<b>Purchased with Doors</b>			
Cabinet Frame		-	1
Hex Head Bolt (M6 X 50)	H00198A-01	Connecting Cabinets	2
Flat Washer (M6)	H00199A-01	Connecting Cabinets	4
Hex Nut (M6)	H00200A-01	Connecting Cabinets	2
CSK Head Bolt (M4 X 25)	H00467A-01	Handles	6
Flange Hex Head Screw (M6X12)	H00532A-01	Legs	12
Phillips Flat Head Screw (1.25")	H00721A-01	Fiber Cement Panels	12
Leg	OK2-01.004A-01	-	4
Levelling Leg	H00196A-01	-	4
Toe Kick	OK2-05.004A-01	-	1
Leg Clip	OK2-01.003.02A-01	Toe Kick	2
Phillips Screw (M4 X 10)	H00204A-01	Toe Kick	4
Wine Rack	OK2-13.009A-01	-	1
Cabinet Shelf	OK2-13.006A-01	-	1
Cabinet Shelf Clip	OKC1-07.007A-01	-	4
Rubber Gasket	OK2-10.006A-01	Countertop Sealing	1
Door Handle	OKC1-19.003A-01	-	2
Drawer Handle	OKC1-25.003A-01	-	1



**16" Side Burner Cabinet**  
SKU : 66100

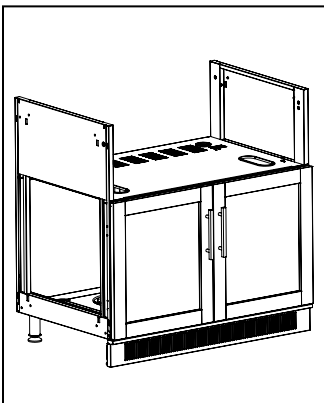
Components	Engg Part No	Function	QTY
<b>Purchased with Door</b>			
Cabinet Frame		-	1
Hex Head Bolt (M6 X 50)	H00198A-01	Connecting Cabinets	2
Flat Washer (M6)	H00199A-01	Connecting Cabinets	4
Hex Nut (M6)	H00200A-01	Connecting Cabinets	2
Cross Recessed Pan Head Screws (M4 X 10)	H00207A-01	Mounting Plate	4
CSK Head Bolt (M4 X 25)	H00467A-01	Handles	2
Expandable Grommet	H00531A-01	Electrical/Gas Lines	1
Flange Hex Head Screw (M6X12)	H00532A-01	Legs/Burner Mount	14
Phillips Flat Head Screw (1.25")	H00721A-01	Fiber Cement Panels	12
Mounting Plate	OK2-01.001.08A-01	Dual Side Burner	2
Leg	OK2-01.004A-01	-	4
Levelling Leg	H00196A-01	-	4
Toe Kick	OK2-01.003A-01	-	1
Leg Clip	OK2-01.003.02A-01	Toe Kick	2
Phillips Screw (M4 X 10)	H00204A-01	Toe Kick	4
Rear End Cap		-	1
Rubber Gasket	OK2-10.006A-01	Countertop Sealing	1
Door Handle	OKC1-19.003A-01	-	1

# Components For Assembled Cabinets



**33" Insert Grill Cabinet**  
SKU : 66101

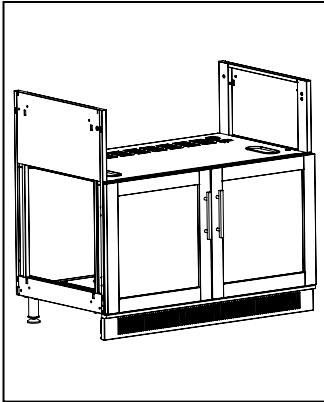
Components	Engg Part No	Function	QTY
<b>Purchased with Doors</b>			
Cabinet Frame		-	1
Hex Head Bolt (M6 X 50)	H00198A-01	Connecting Cabinets	2
Flat Washer (M6)	H00199A-01	Connecting Cabinets	4
Hex Nut (M6)	H00200A-01	Connecting Cabinets	2
CSK Head Bolt (M4 X 25)	H00467A-01	Handles	4
Expandable Grommet	H00531A-01	Electrical/Gas Lines	1
Flange Hex Head Screw (M6X12)	H00532A-01	Legs/Grill Mount	14
Phillips Flat Head Screw (1.25")	H00721A-01	Fiber Cement Panels	12
Leg	OK2-02.004A-01	-	4
Levelling Leg	H00196A-01	-	4
Toe Kick	OK2-01.003A-01	-	1
Leg Clip	OK2-01.003.02A-01	Toe Kick	2
Phillips Screw (M4 X 10)	H00204A-01	Toe Kick	4
Rear End Cap		-	1
Rubber Gasket	OK2-10.006A-01	Countertop Sealing	1
Door Handle	OKC1-19.003A-01	-	1



**36" Insert Grill Cabinet**  
SKU : 66117

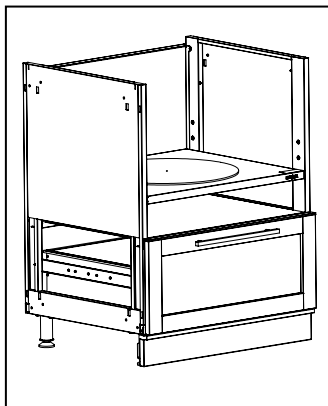
Components	Engg Part No	Function	QTY
<b>Purchased with Doors</b>			
Cabinet Frame		-	1
Hex Head Bolt (M6 X 50)	H00198A-01	Connecting Cabinets	2
Flat Washer (M6)	H00199A-01	Connecting Cabinets	4
Hex Nut (M6)	H00200A-01	Connecting Cabinets	2
CSK Head Bolt (M4 X 25)	H00467A-01	Handles	4
Expandable Grommet	H00531A-01	Electrical/Gas Lines	1
Flange Hex Head Screw (M6X12)	H00532A-01	Legs/Grill mount	14
Phillips Flat Head Screw (1.25")	H00721A-01	Fiber Cement Panels	12
Leg	OK2-01.004A-01	-	4
Levelling Leg	H00196A-01	-	4
Toe Kick	OK2-129.004A-01	-	1
Leg Clip	OK2-01.003.02A-01	Toe Kick	2
Phillips Screw (M4 X 10)	H00204A-01	Toe Kick	4
Rear End Cap		-	1
Rubber Gasket	OK2-10.006A-01	Countertop Sealing	1
Door Handle	OKC1-19.003A-01	-	1

# Components For Assembled Cabinets



**40" Insert Grill Cabinet**  
SKU : 66102

Components	Engg Part No	Function	QTY
<b>Purchased with Doors</b>			
Cabinet Frame		-	1
Hex Head Bolt (M6 X 50)	H00198A-01	Connecting Cabinets	2
Flat Washer (M6)	H00199A-01	Connecting Cabinets	4
Hex Nut (M6)	H00200A-01	Connecting Cabinets	2
CSK Head Bolt (M4 X 25)	H00467A-01	Handles	4
Expandable Grommet	H00531A-01	Electrical/Gas Lines	1
Flange Hex Head Screw (M6X12)	H00532A-01	Legs / Grill Mount	14
Phillips Flat Head Screw (1.25")	H00721A-01	Fiber Cement Panels	12
Leg	OK2-01.004A-01	-	4
Levelling Leg	H00196A-01	-	4
Toe Kick	OK2-03.004A-01	-	1
Leg Clip	OK2-01.003.02A-01	Toe Kick	2
Phillips Screw (M4 X 10)	H00204A-01	Toe Kick	4
Rear End Cap		-	1
Rubber Gasket	OK2-10.006A-01	Countertop Sealing	1
Door Handle	OKC1-19.003A-01	-	1



**28" Kamado Cabinet**  
SKU : 66103

Components	Engg Part No	Function	QTY
<b>Purchased with Drawer</b>			
Cabinet Frame		-	1
Hex Head Bolt (M6 X 50)	H00198A-01	Connecting Cabinets	2
Flat Washer (M6)	H00199A-01	Connecting Cabinets	4
Hex Nut (M6)	H00200A-01	Connecting Cabinets	2
Tapcon Screw (M5 X 40)	H00231A-01	Anti-tipping Bracket	6
Wood Screw	H00232A-01	Anti-tipping Bracket	6
Honey Comb Mat	H00244A-01	Kamado Base	1
CSK Head Bolt (M4 X 25)	H00467A-01	Handles	2
Flange Hex Head Screw (M6X12)	H00532A-01	Legs/Shelf	16
Phillips Flat Head Screw (1.25")	H00721A-01	Fiber Cement Panels	12
Leg	OK2-01.004A-01	-	4
Levelling Leg	H00196A-01	-	4
Toe Kick	OK2-04.004.01.01A-01	-	1
Leg Clip	OK2-01.003.02A-01	Toe Kick	2
Phillips Screw (M4 X 10)	H00204A-01	Toe Kick	4
Rear End Cap		-	1
Anti-tipping Bracket	OKC1-09.006A-01	-	2
Rubber Gasket	OK2-10.006A-01	Countertop Sealing	1
Drawer Handle	OKC1-25.003A-01	-	1

# **PREPARING OUTDOOR AREA BEFORE CABINET INSTALLATION**

# Outdoor Area Preparation

**i ATTENTION:** NewAge recommends using a professional kitchen installer to prepare and install kitchen cabinets.

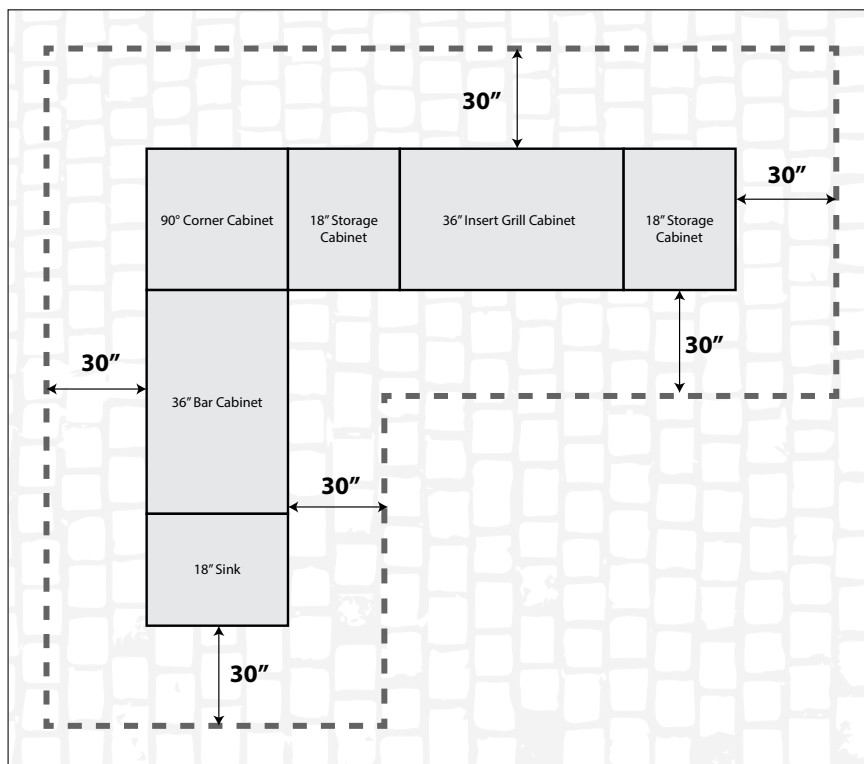
**i NOTE:** If you are unfamiliar or unsure of how to handle utility connections, have a qualified professional perform these duties.

## Before you begin

- Shut off all existing water, power and utility lines.
- Remove existing cabinets and appliances. It is best to move these out of the Outdoor Area for easier access to the work area while the installation is being done.
- Make sure having a flat leveled surface to install your Signature outdoor kitchen.
- Having the adjustable leveling legs, the Signature outdoor kitchen cabinets can be installed on any flat decking, concrete, or paving surface, however, the surface has to be leveled for the proper installation.

## STEP 1 : FIND THE BEST LOCATION AND UNDERSTAND YOUR NEEDS

- The first step to setting up an outdoor kitchen is conducting a site survey.
- Determine how large of an area you can dedicate to your outdoor kitchen, measure the proposed area's square footage.
- Be sure that the planned location is close to accessible utilities, and provides a clear path to your indoor kitchen.
- We would recommend a 30" border space surrounding your kitchen cabinets to ensure that you have plenty of room for food prep, cooking, serving, and entertaining.



**NOTE :** If you want to maintain the view you currently have looking outside of your home, be sure to position your outdoor kitchen space in such a way that the view is not blocked. Sketching out your layout on graph paper will help you to visualize where things should go, later determining what you may need.

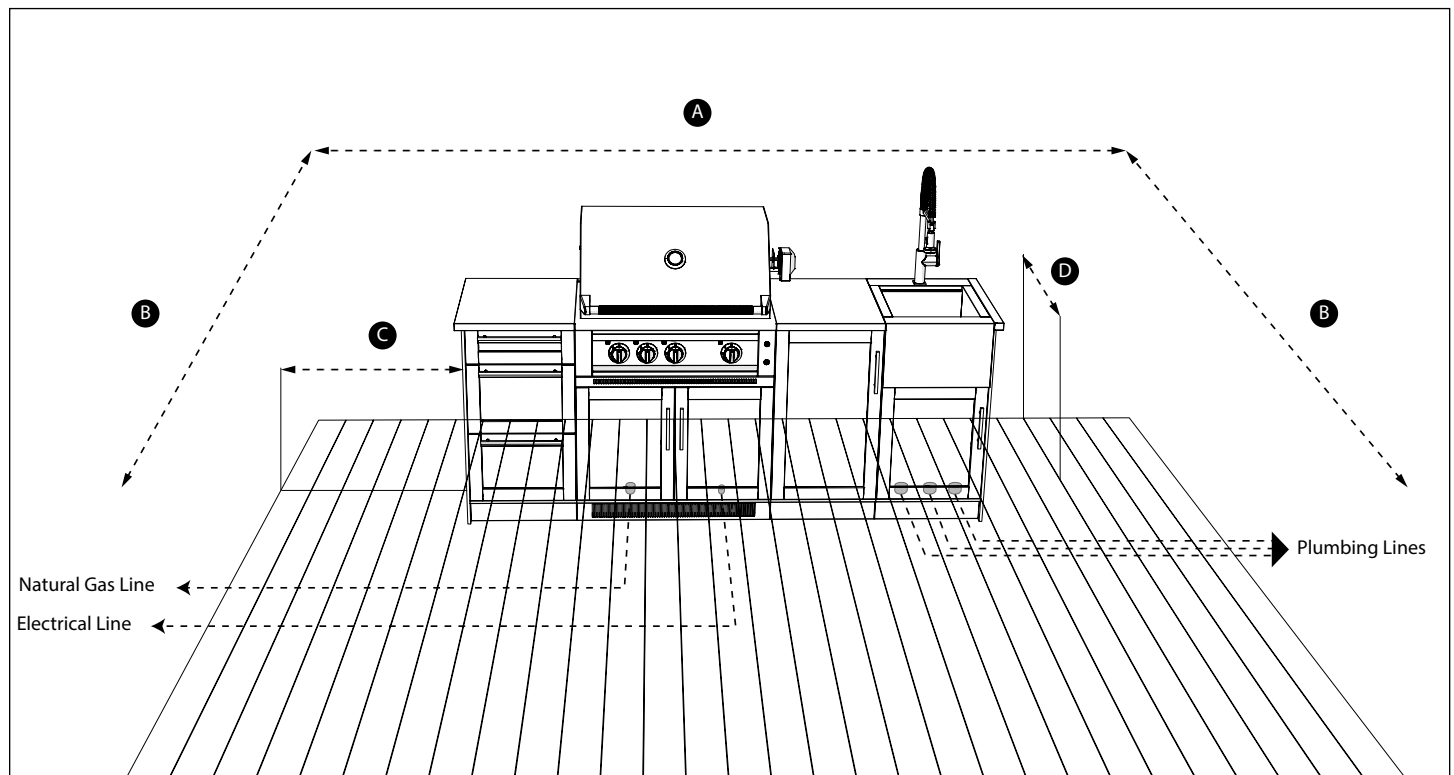
# Outdoor Area Preparation

## STEP 2 : HOW TO UTILIZE YOUR SPACE

- Determine the ideal spot for the appliances and the other cabinet features into the Outdoor Kitchen setup
- Determine how many appliances should be included, along with storage requirements and added features like bar service.

## Measuring and Marking your Space

- Now Use a tape measure and list down the following to help you through the cabinet set installation.
- **A. Width of the Outdoor Area to be used.**
- **B. Depth of the Outdoor Area to be used**
- **C. Distance of Platform edge to the side of the cabinet (30" or more)**
- **D. Distance of Platform edge to the back of the cabinets ( 30" or more)**
- It is recommended that the plumbing, natural gas and electrical lines be mounted from the bottom of the cabinets as shown below, before assembling the cabinet sets.



**i NOTE:** To have the exact location of the plumbing access holes in the sink cabinets and the gas/ electrical pass through holes for the Appliance cabinets, refer to the individual cabinet sections in the manual.

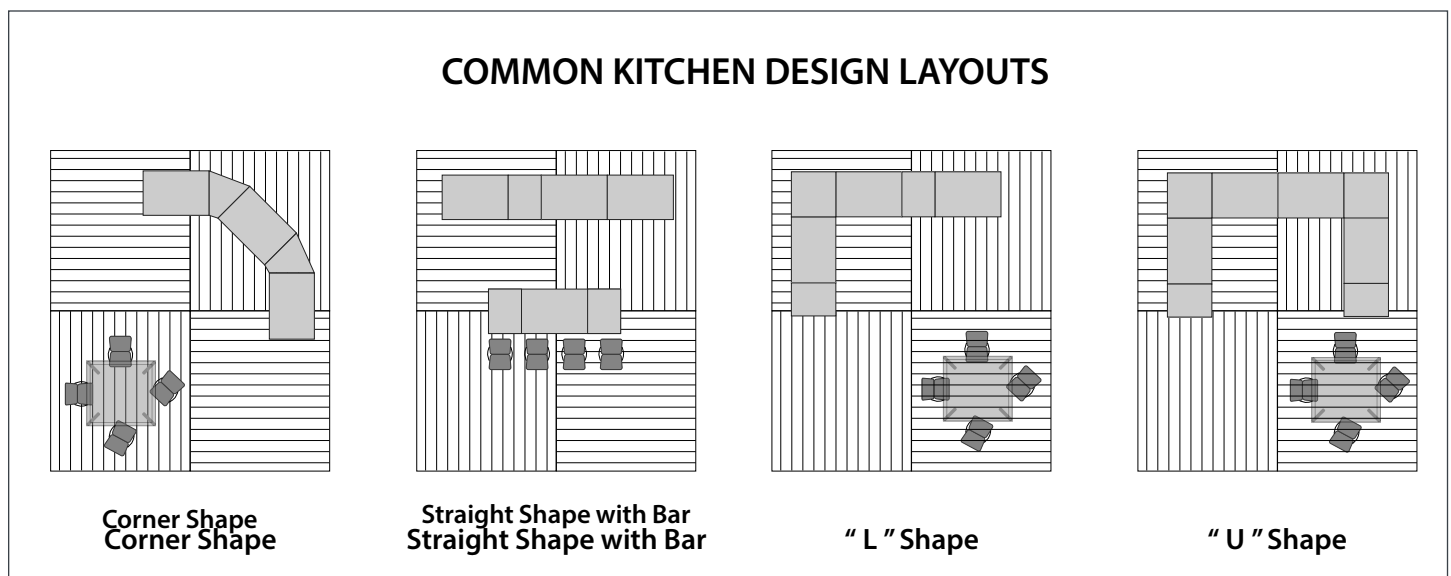


# Outdoor Area Preparation

## STEP 3 : HOW SHOULD YOU DESIGN YOUR OUTDOOR KITCHEN

- Once you've chosen which appliances you want in your outdoor kitchen, it's time to consider how each appliance and cabinet will fit within the greater design scheme—how much room to allow for each, and how they will 'flow' into each other.
- You may have heard of the "golden triangle" rule of kitchen design, designing an outdoor kitchen is no exception. The close proximity of sink, grill and prep station is key for effective food preparation and service.

## Preparing your Outdoor Area as per your Cabinet Layout

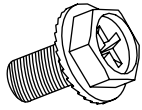


- While preparing your cabinet layout ensure the plumbing, gas and electrical pipelines are laid as per the regional certifications and ensure it is done with professional help.
- Once you have finalised on the cabinet set layout, assemble the cabinets as per detail instructions given in the following pages to ensure a smooth process throughout the activity.
- Cabinets must be installed on a leveled surface. Levelling Legs are provided to provide adjustments between the high and low spots in the installations but are not intended to be installed on a non-level surface.
- Take note of existing Gas/electrical/plumbing access in relation to your planned installation.
- Take note of existing access holes on the cabinets for ease of installation.

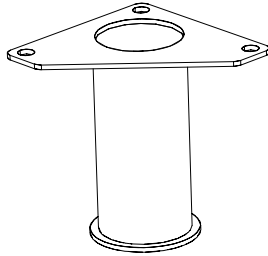
# **INSTALLING THE ASSEMBLED CABINETS**

# Installing Legs

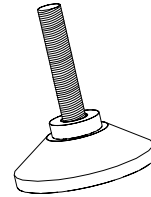
## Parts Needed.



M6X12  
Hex Head Screw  
**x12**

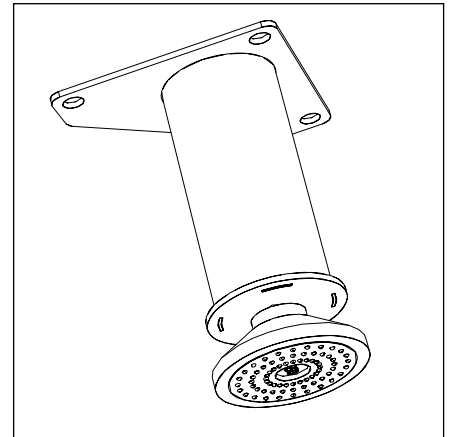
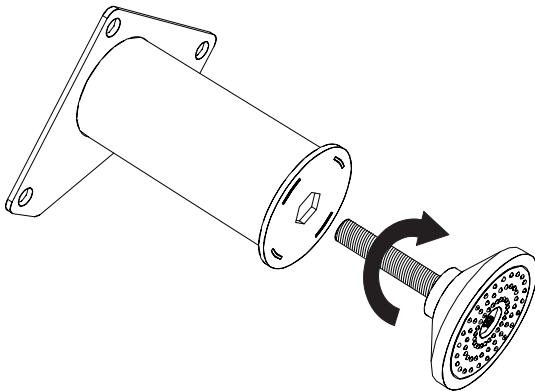


Leg Assembly  
**x4**

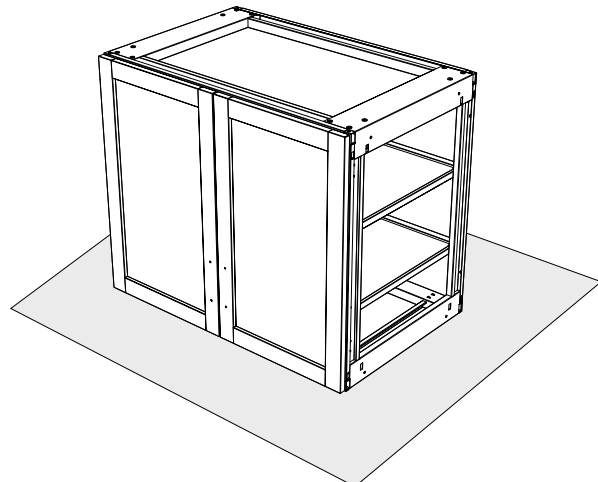
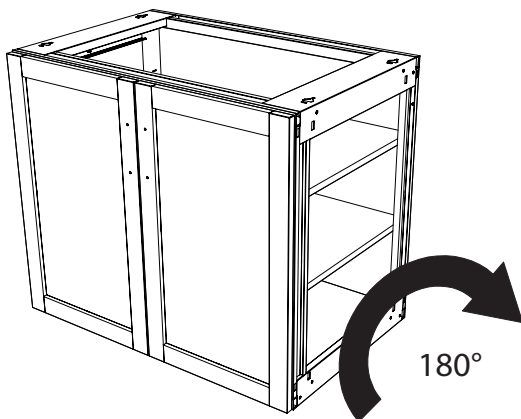


Levelling Leg  
**x4**

- 1** First Install the 4 levelling legs to the 4 leg assemblies.

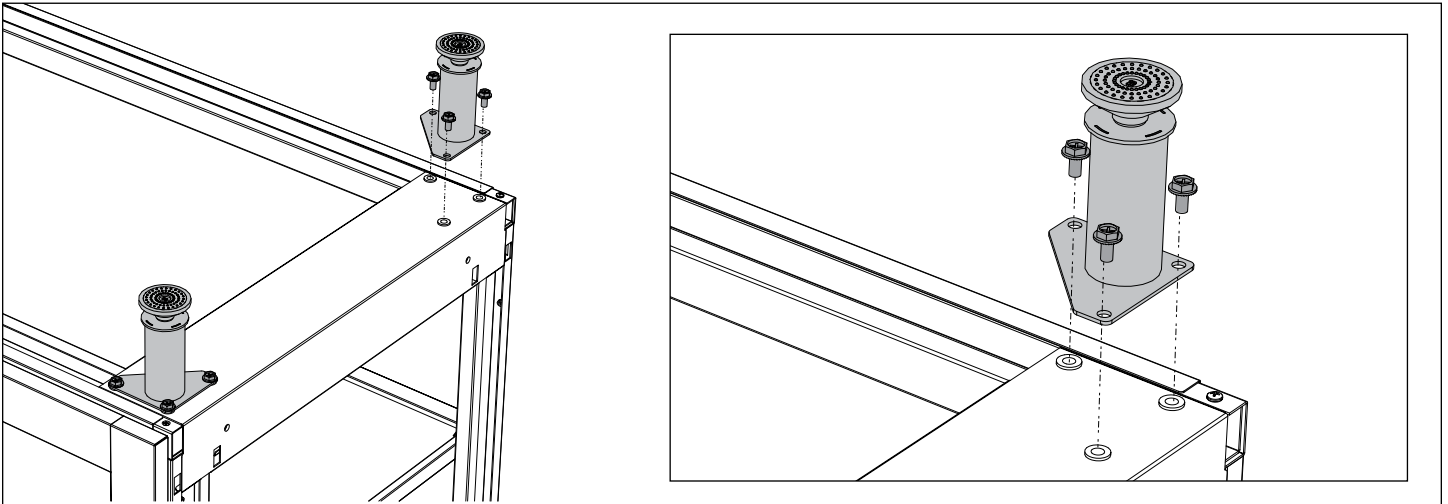


- 2** Now place the cabinet on its top over a protective surface.

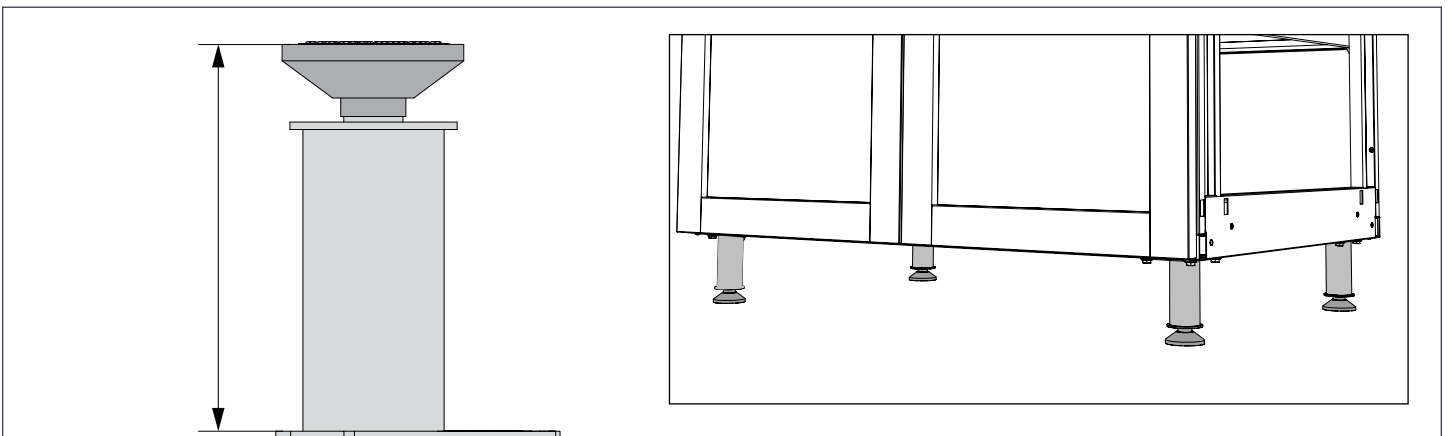


# Installing Legs

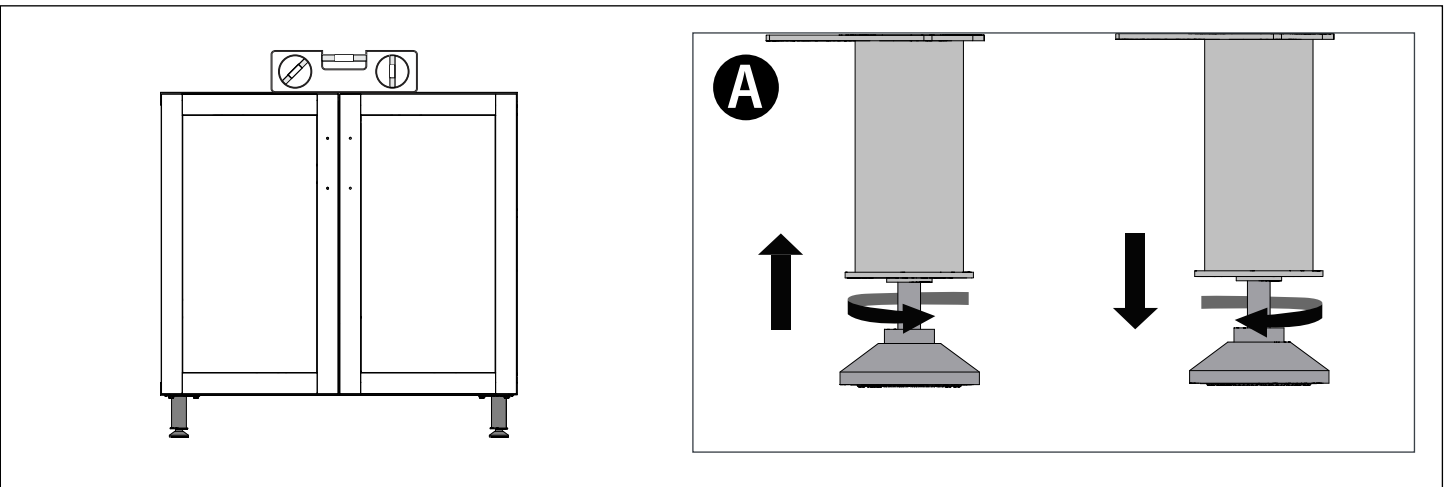
- 3** Install the 4 legs to the bottom of the beams on the frame using 12 x Flange hex head screw M6.



- 4** Preset all legs to lowest position to speed leveling process.

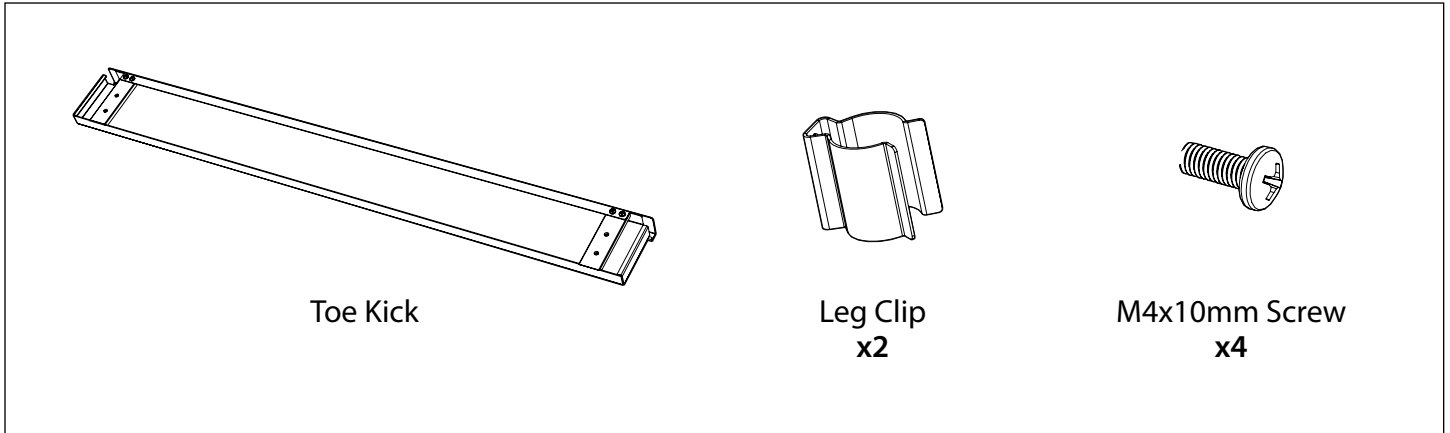


- 5** Place the cabinet on its legs and level the cabinet by adjusting the leg levelers(A).

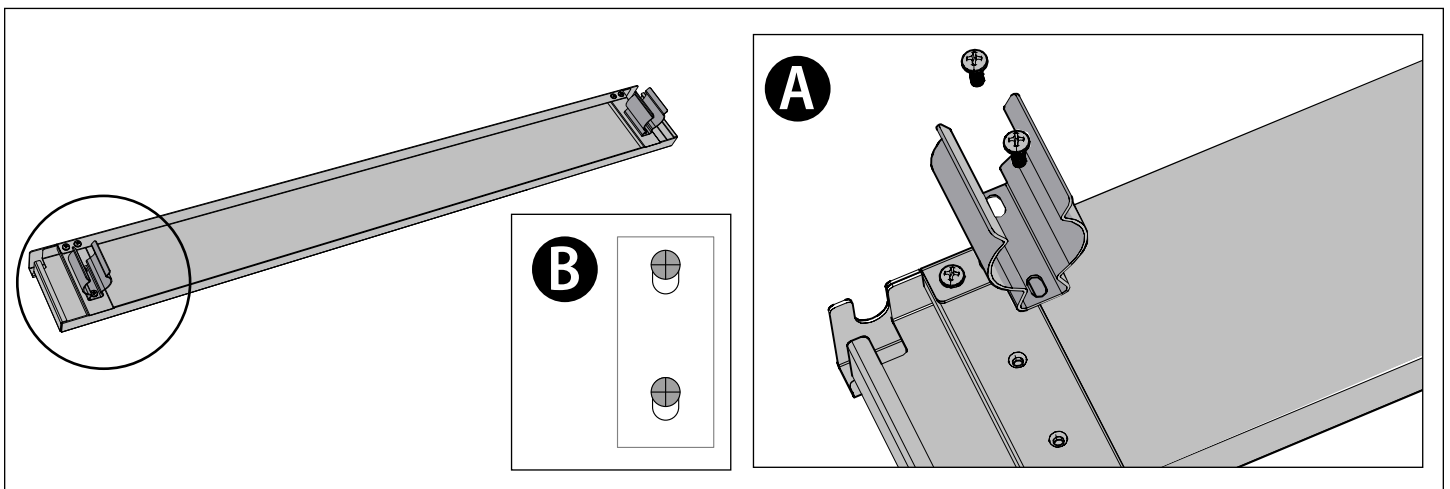


# Installing Toe Kicks

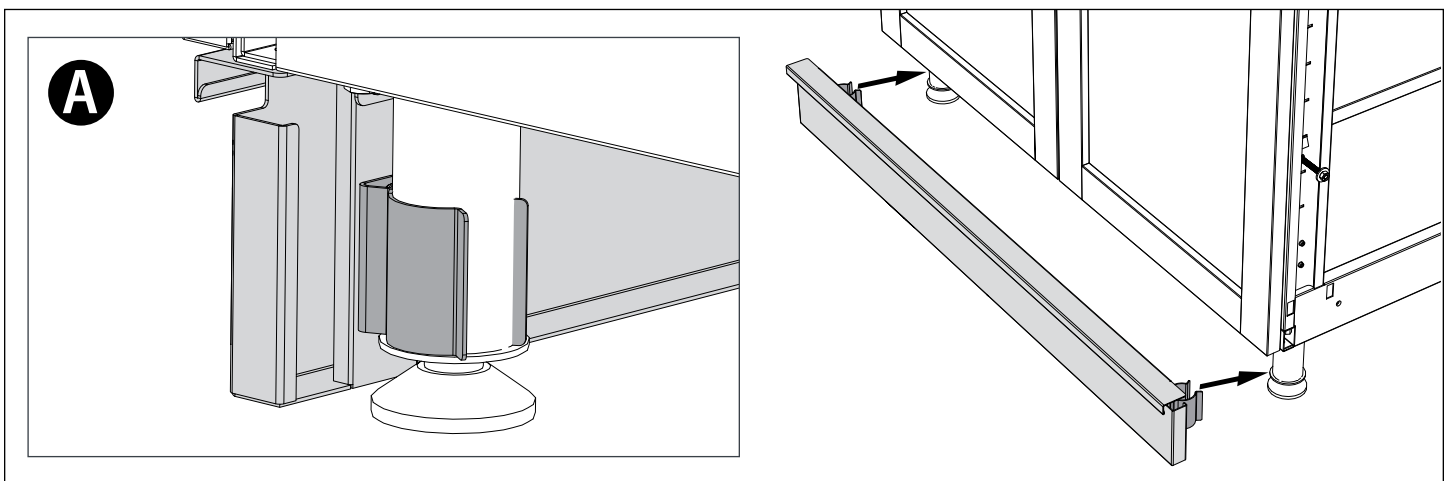
## Parts Needed.



- 1** Install two leg clips on the toe kick using two M4x10mm Phillips screws(A). Ensure the screw is mounted at the top position of the slot(B).

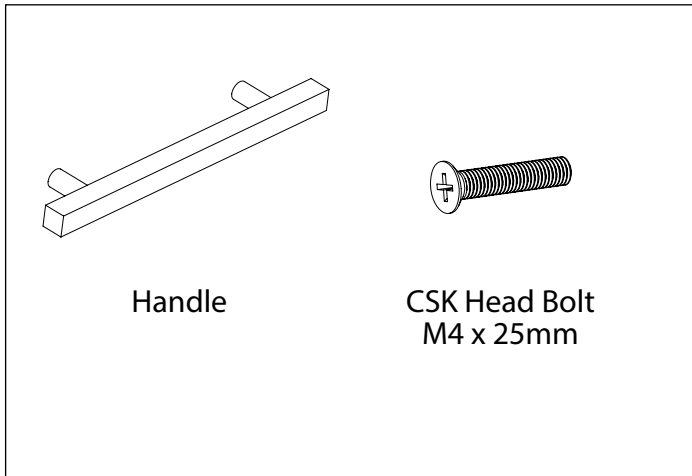


- 2** Push and fit the toe kick to the front legs. Make sure the leg clips are secured properly(A).

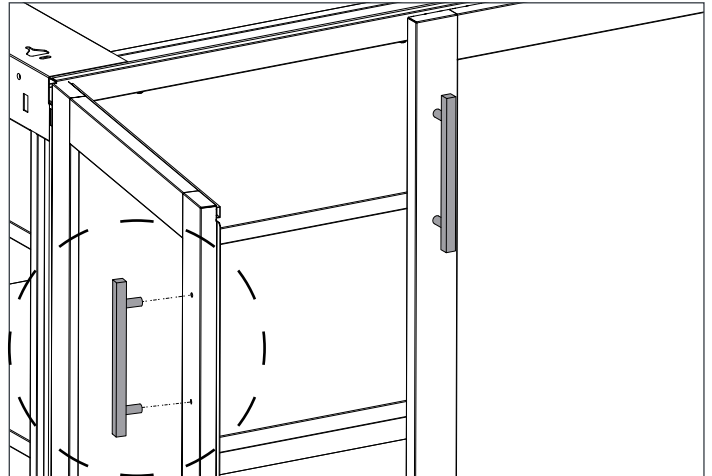


# Installing the Handles

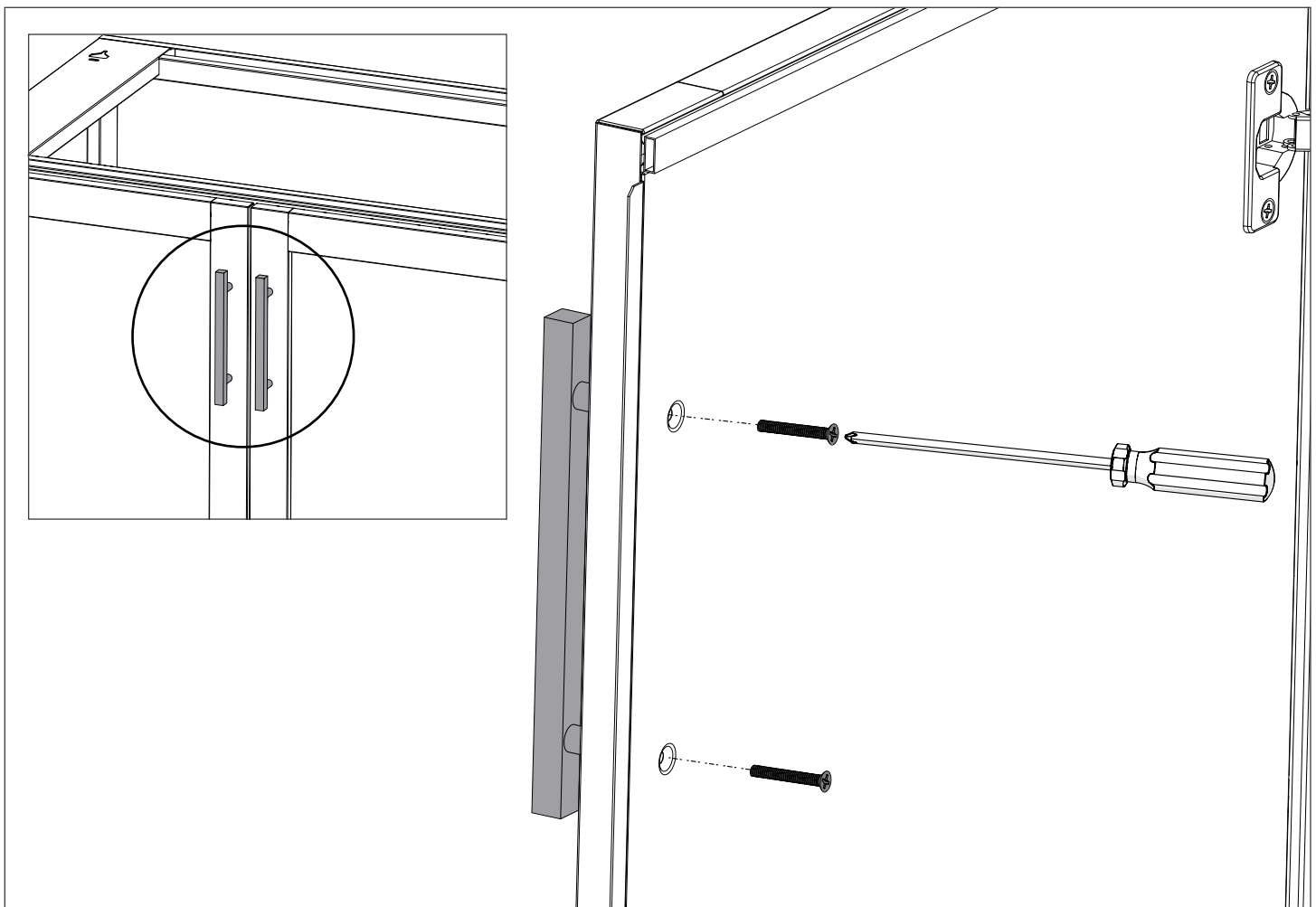
## **i** Parts Needed



## **1** Align handle to holes on doors.



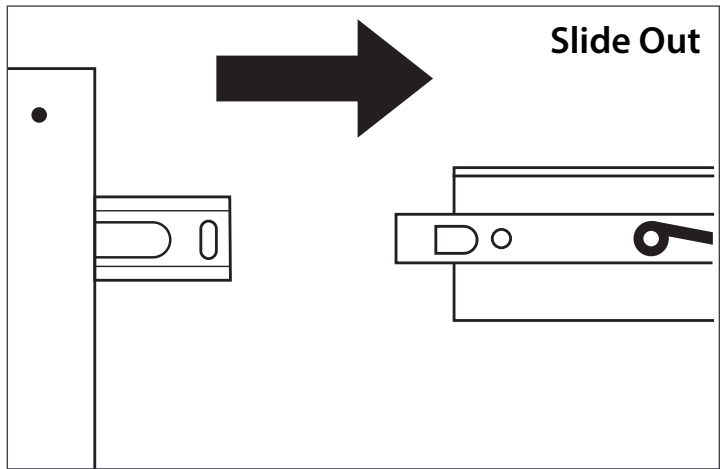
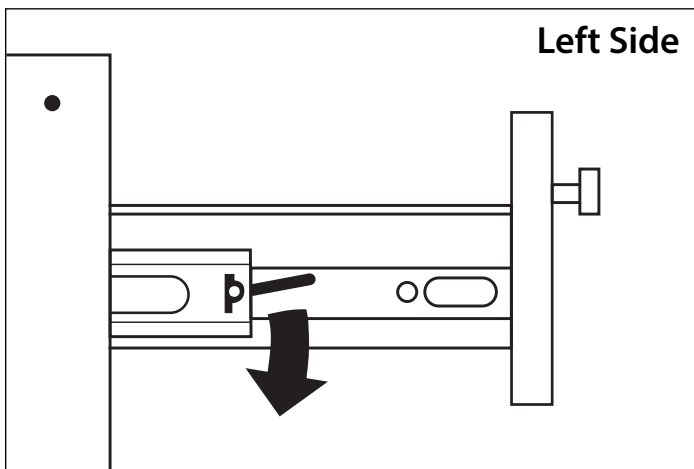
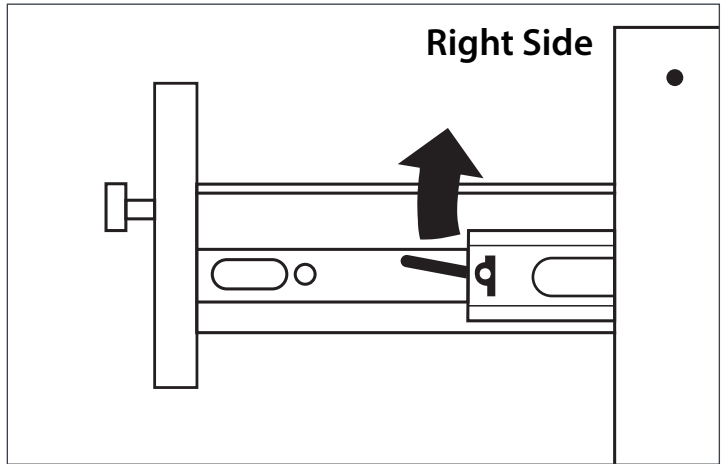
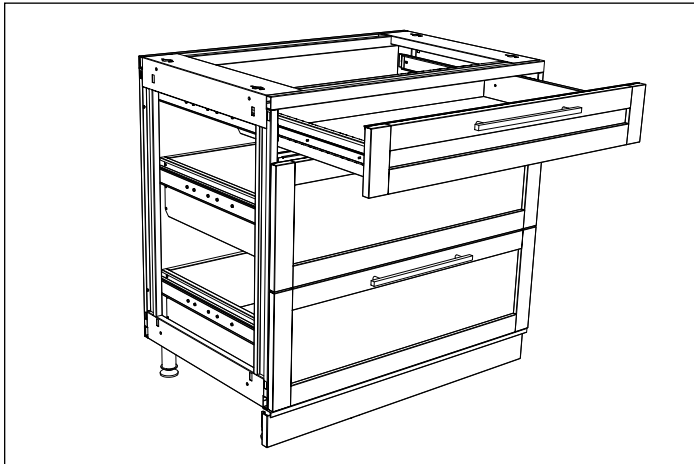
## **2** Install the handle with two M4 x 25mm CSK Head bolts.



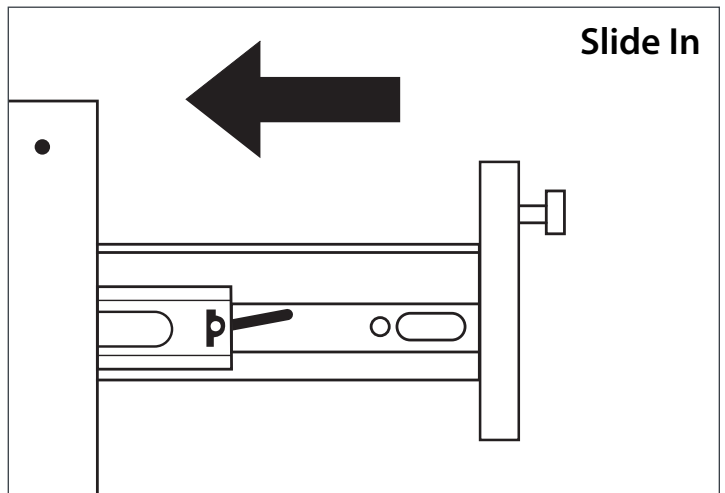
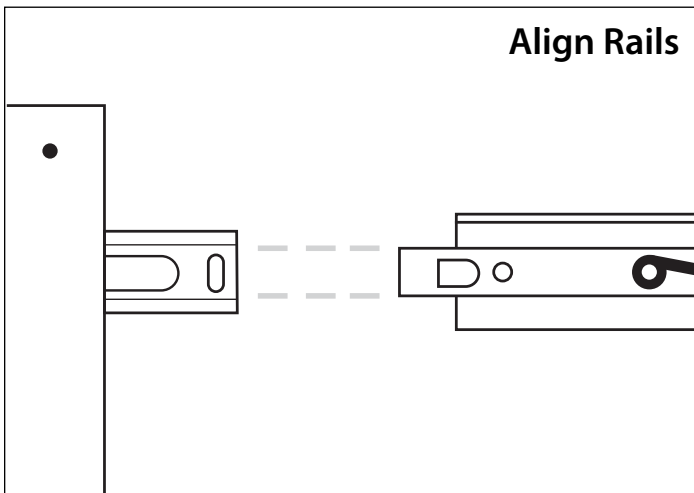
# Installing / Removing the Drawers

**i** NOTE : For connecting the cabinets, the drawers can be removed to create better access for the connecting bolts and nuts.

## 1 Removing Drawers

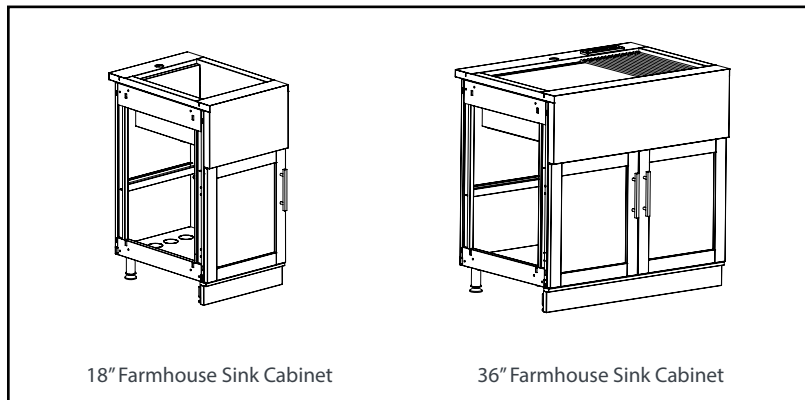


## 2 Inserting Drawers



# Preparing the Sink Cabinets

**i** The following instructions apply to the cabinets below

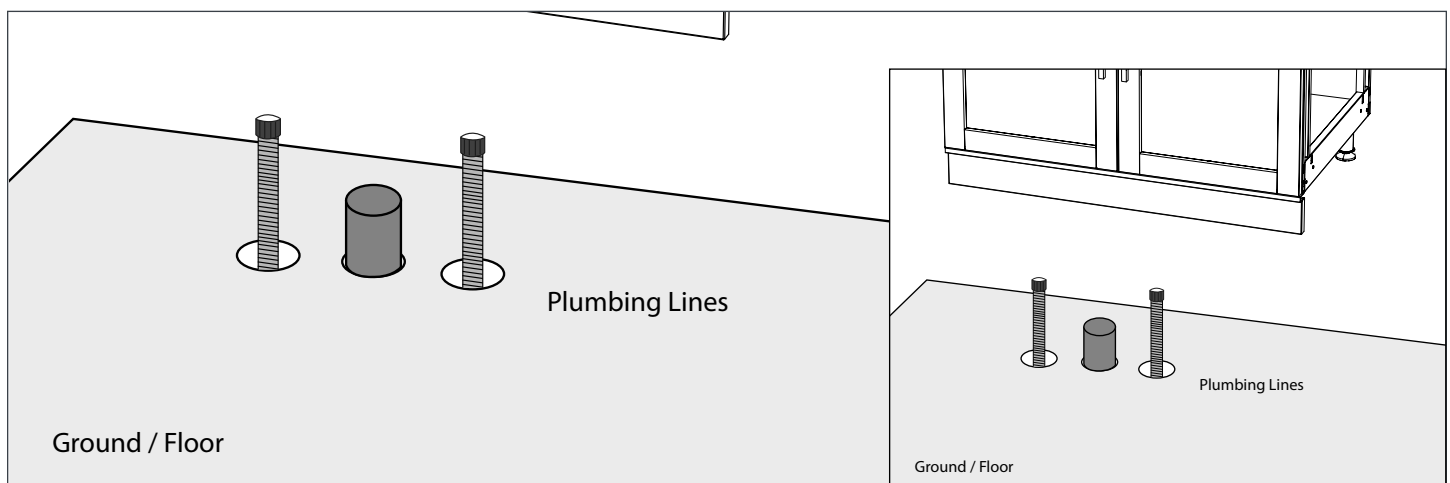


**i** **NOTE:** Make sure the plumbing work is done as per the Building codes of the region.

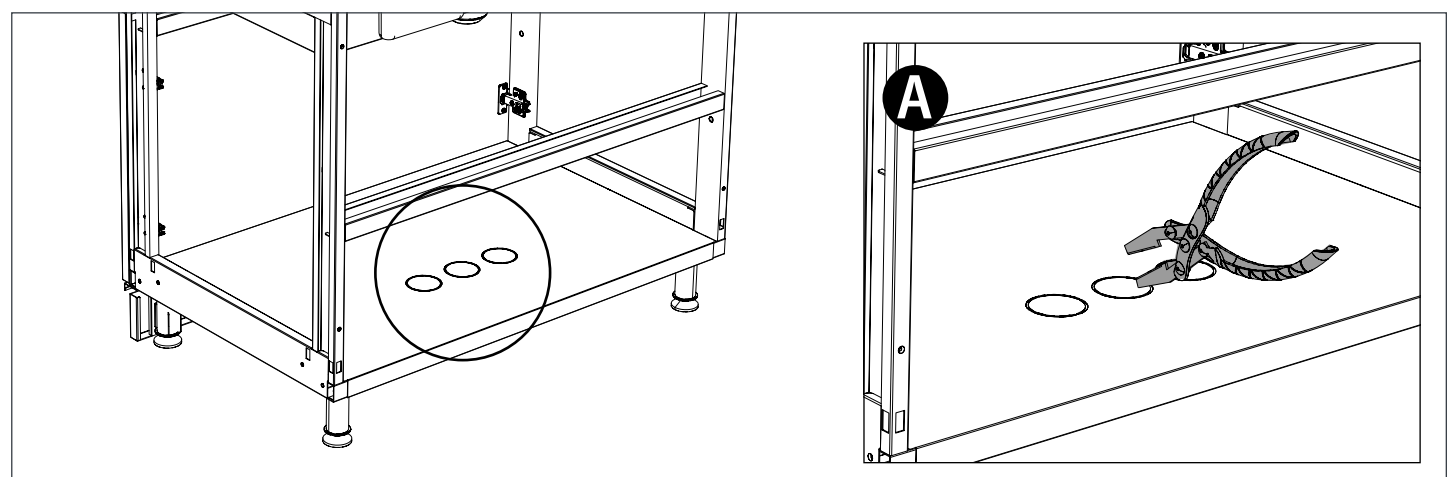
**i** **NOTE:** It is recommended to have a certified plumber for installing the sink cabinets.

**1** Ensure the plumbing line (Cold/Hot water lines and drain pipe) are located under the cabinet, aligned with the three pre-slotted holes at the bottom of the cabinet.

**i** **NOTE:** If the plumbing lines are coming from the back wall, ensure the pass through hole to be drilled on the back Fiber Cement Panels and the Finishing material.



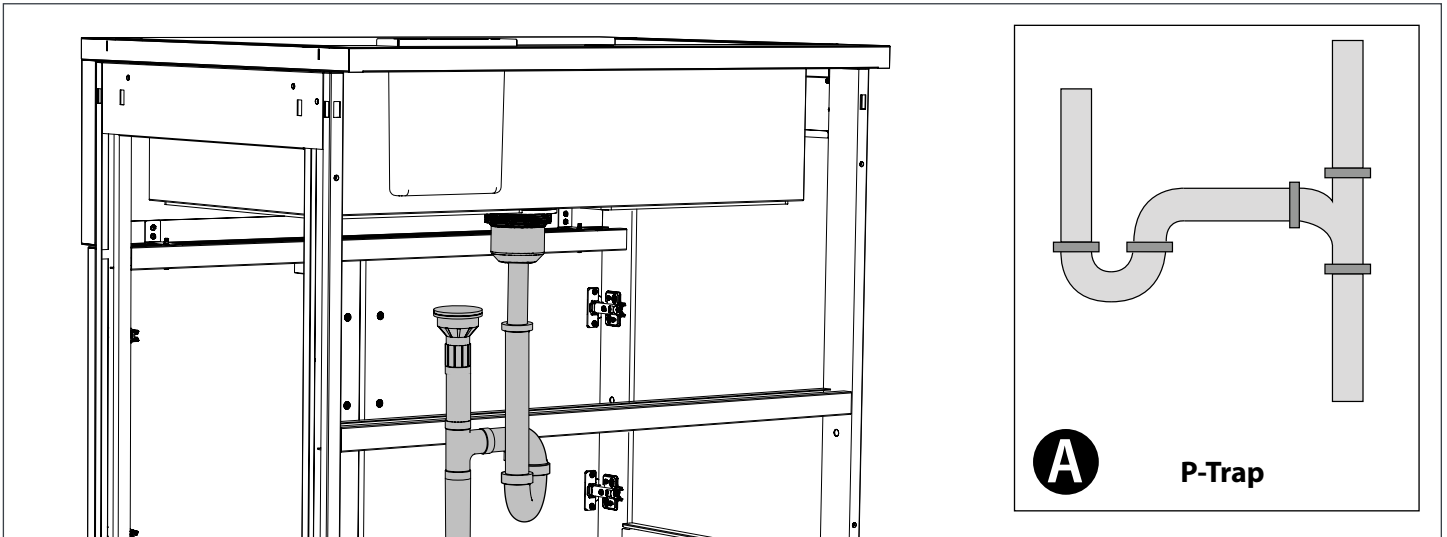
**2** Locate the 3 pre-slotted holes at the bottom of the cabinet for the plumbing lines. Using tin snips (A) to cut small webs to release the knockouts.



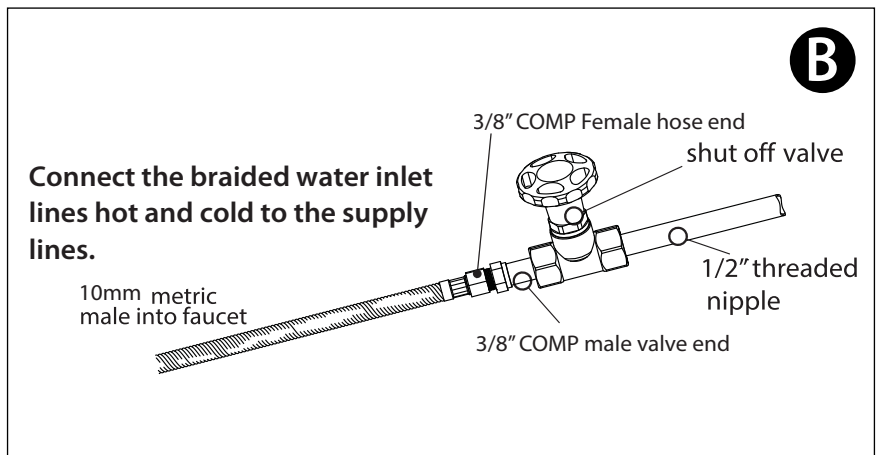
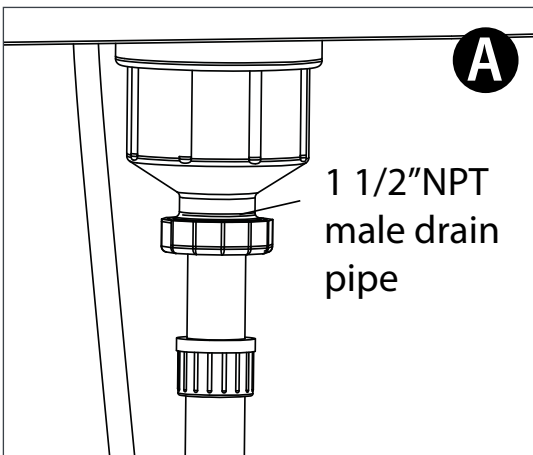


# Preparing the Sink Cabinets

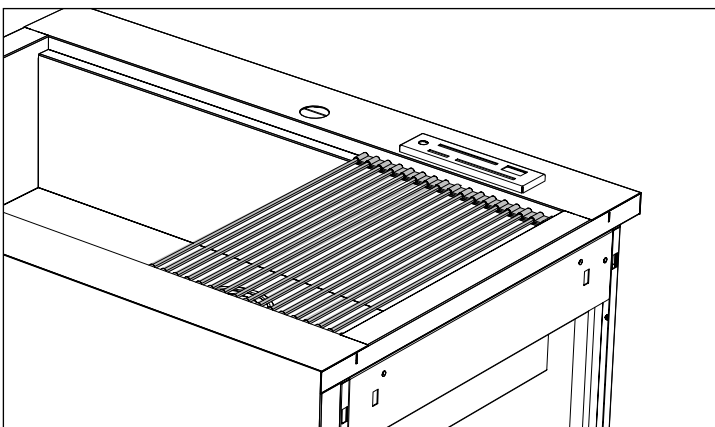
- 3** Make sure to apply the latest plumbing standards and requirements of your regional building codes. The P-Trap (A) drainage is recommended for the plumbing.



- 4** Connect the drain trap adapter to a P-trap and drainage tubing. Connect the braided water inlet lines hot and cold to the supply lines(B).

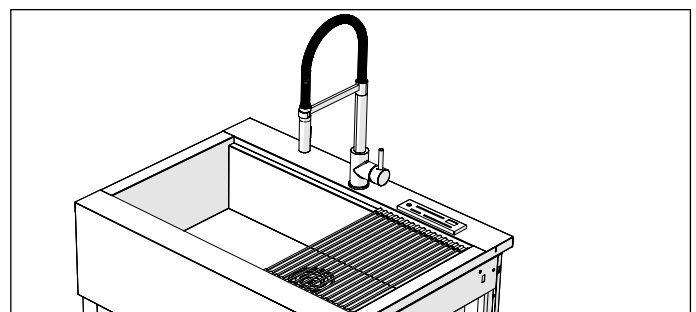


- 5** Place the drying tray on the surface of the sink.



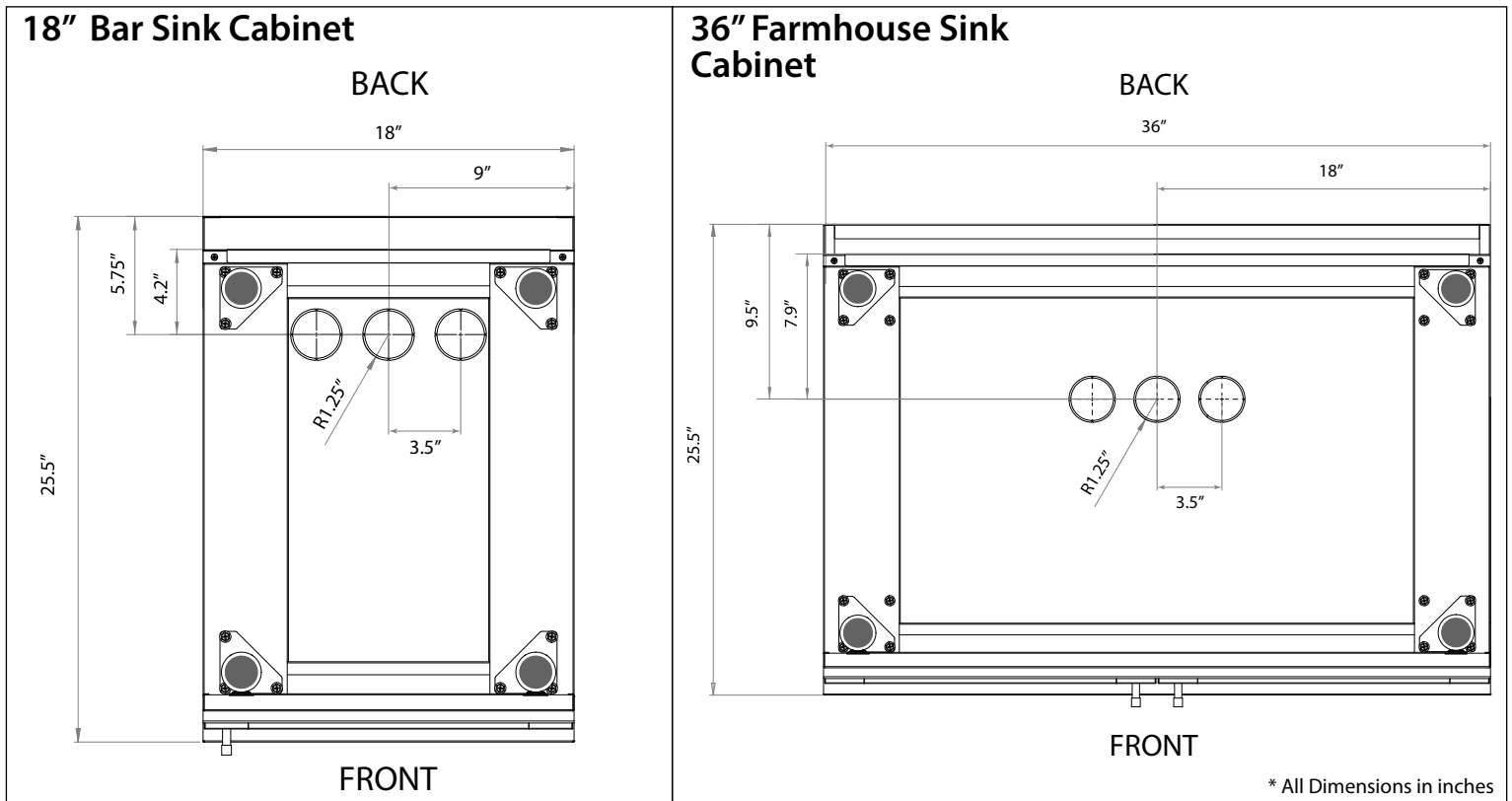
- 6** Install your selected top-mounting faucet on the pre-drilled hole of the sink.

For the Installation instructions of NewAge Faucets, please refer to the FAUCET INSTALLATION GUIDE on the **NewAge Support-Hub Website**



# Preparing the Sink Cabinets

**NOTE :** The following diagrams show the bottom view of the Sink Cabinets to understand the location of the plumbing access holes on the cabinet.



## WARNING

Drain your faucet before winter to prevent frozen pipes and potential damage. Freezing temperatures during winter can lead to the expansion of water within the pipes, causing them to crack or burst. To safeguard against such issues, draining the faucet is a vital preventative measure to mitigate the risk of costly damage and ensure the longevity of your plumbing system.

## How To Winterize An Outdoor Faucet

- Make sure to close the water supply to the faucet.
- If you have a hose attached to the faucet, disconnect it and take off the spray nozzle. Drain the hose thoroughly and coil it neatly.
- Open the drainage port.
- Drain out the water.  
For an outdoor faucet without an indoor drainage port, drain out any remaining water by simply turning on the tap. Once all the water has drained onto the ground, turn off the faucet.
- Insulate or cover the faucet.

**INSTALLING THE  
READY TO ASSEMBLE  
(FLAT PACK)  
CABINETS**

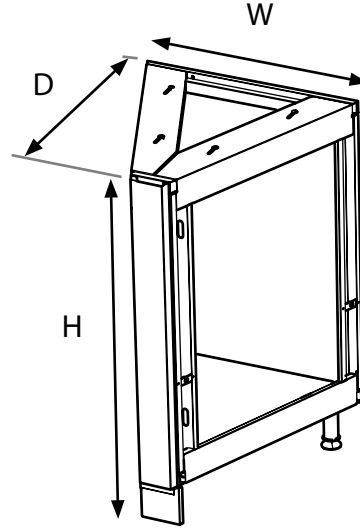
# Assembling the 45° Corner Cabinet

## Product Specifications

### 45° Corner Cabinet

W 20.99in x D 21.53in x H 34.75in

SKU# 66116



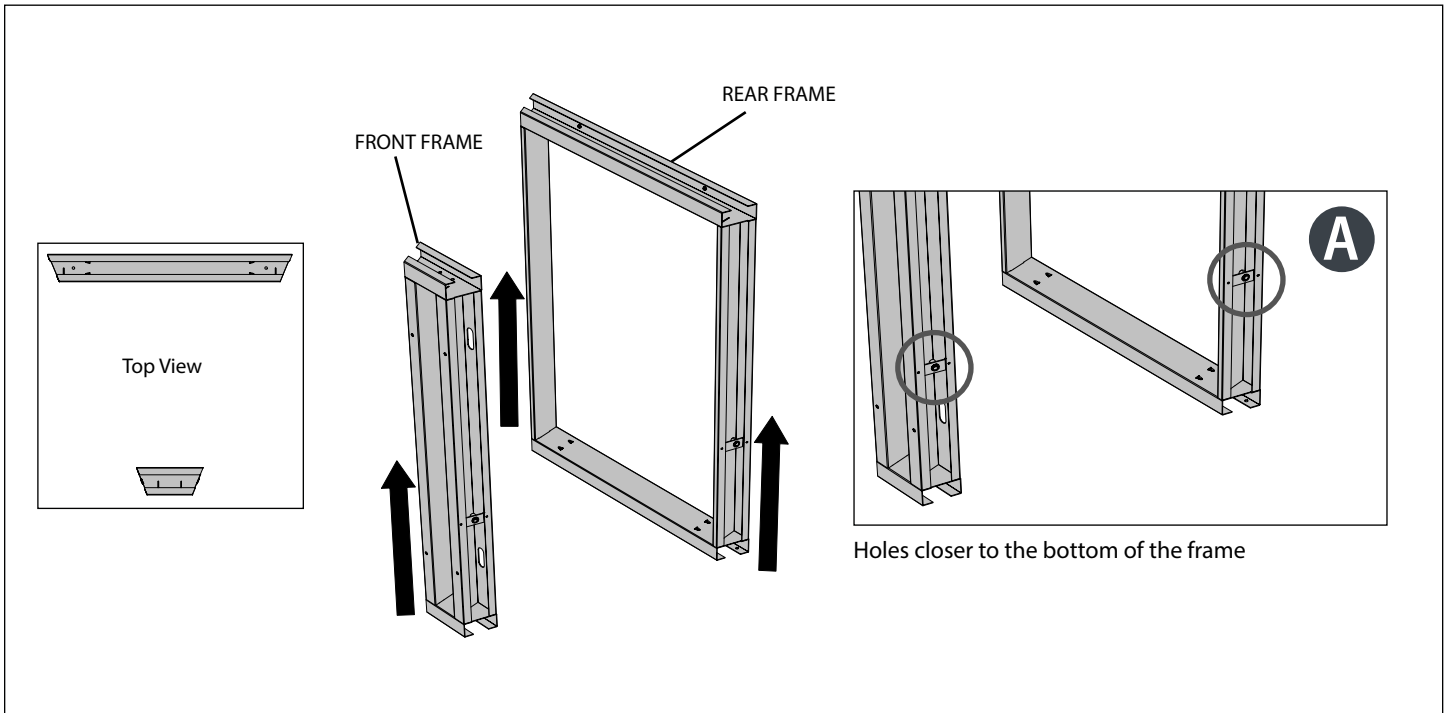
## Hardware Included

Hex Head Bolt M6X50mm <b>x4</b>	Flat Head Screw (#10x1.25in) <b>x12</b>	Flat Washer M6 <b>x4</b>	Pan Head Screw M4X10mm <b>x12</b>
Leveling Leg M8 <b>x3</b>	Flange Hex Head Screw M6X12mm <b>x12</b>	Rubber Gasket (Supplied) <b>X1</b>	Drill Bit M3.5 (Supplied) <b>X1</b>
Middle Leg <b>x1</b>	Rear Left Leg <b>x1</b>	Rear Right Leg <b>x1</b>	

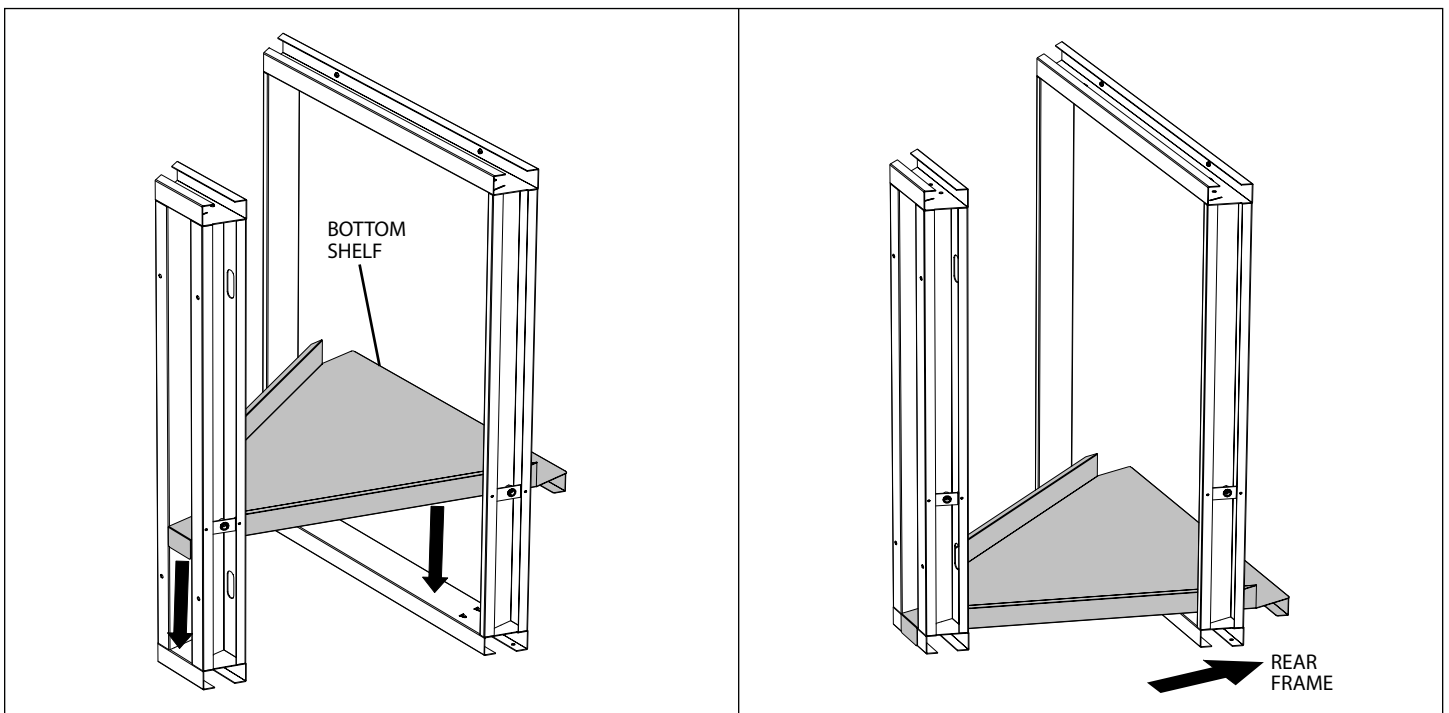
S.No.	Description	45° Corner Cabinet
1	Hex Head Bolt M6X50mm	4
2	Flat Head Screw (#10x1.25in) (For mounting Fiber Cement Boards on Cabinets)	12
3	Flat Washer M6	4
4	Pan Head Screw M4X10mm	12
5	Leveling Leg M8	3
6	Flange Hex Head Screw M6X12mm	12
7	Rubber Gasket (For Countertop Assembly)	1
8	Drill bit M3.5 (For mounting Fiber Cement Boards on Cabinets)	1
9	Middle Leg	1
10	Rear Left Leg	1
11	Rear Right Leg	1

# Assembling the 45° Corner Cabinet

- 1 Place the two welded frames upright. Ensure the orientation as shown (A).

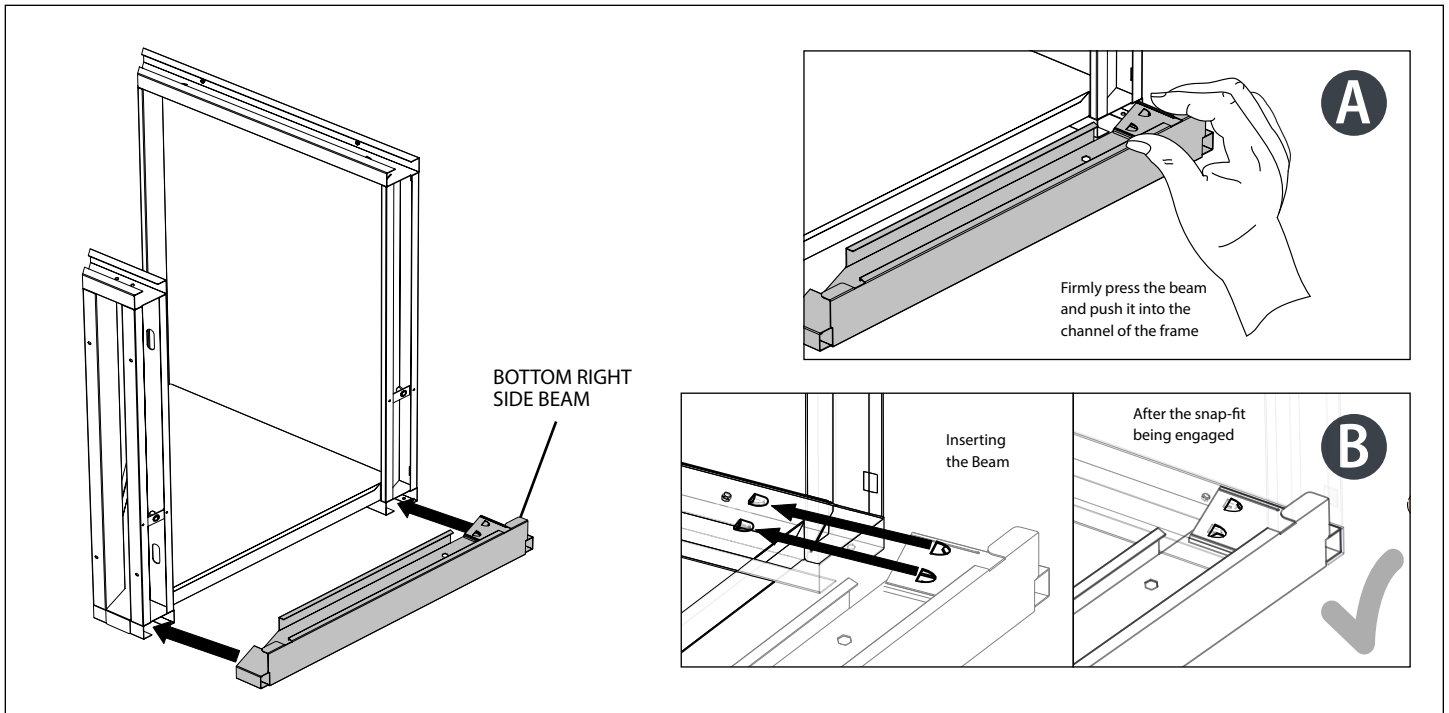


- 2 While holding the frames, place the bottom shelf on the base beams of both the frames. Push the rear welded frame outward to fit perfectly with the bottom shelf.

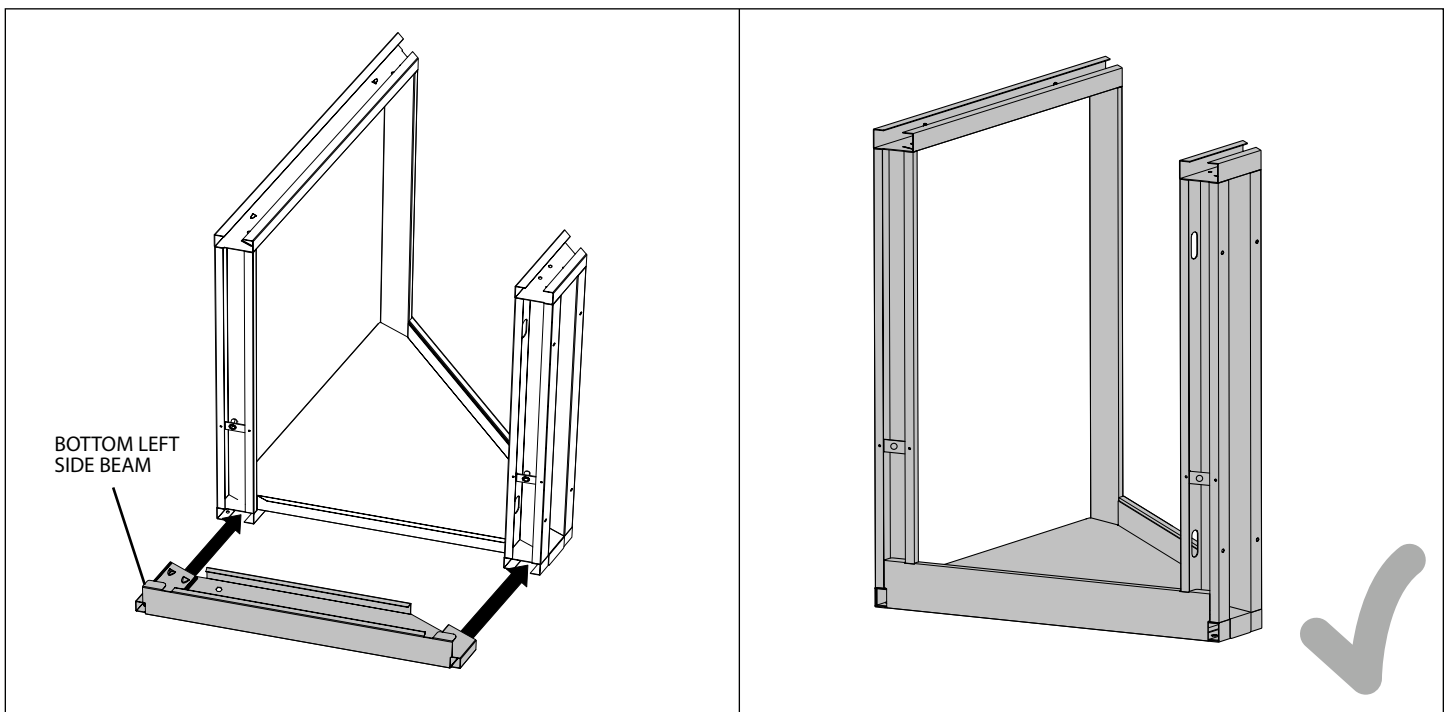


# Assembling the 45° Corner Cabinet

- 3** Slide the bottom right side beam into the open channels of the frames. To ensure the correct fitment, place your fingers on the beam as shown (A) and push it towards the channel until the snap fit (B) engages completely.

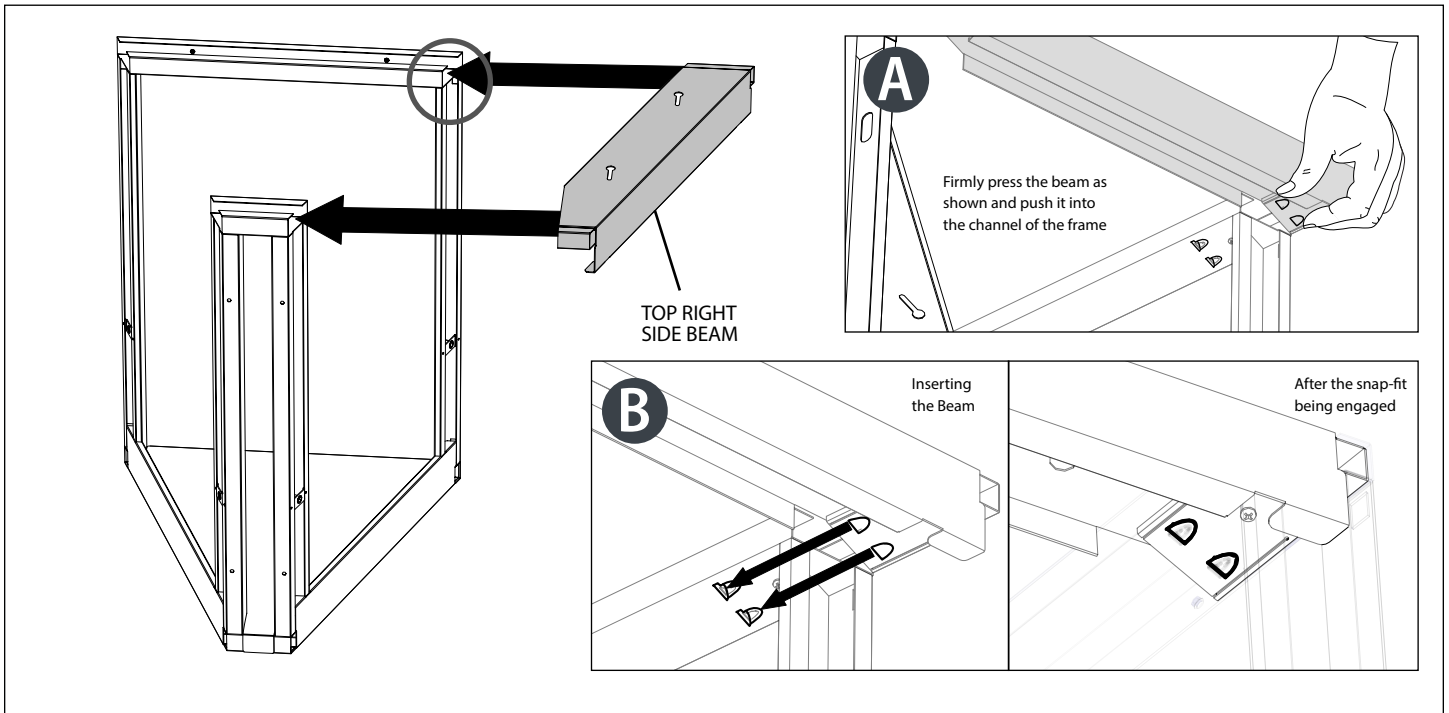


- 4** Similarly install the bottom left side beam.

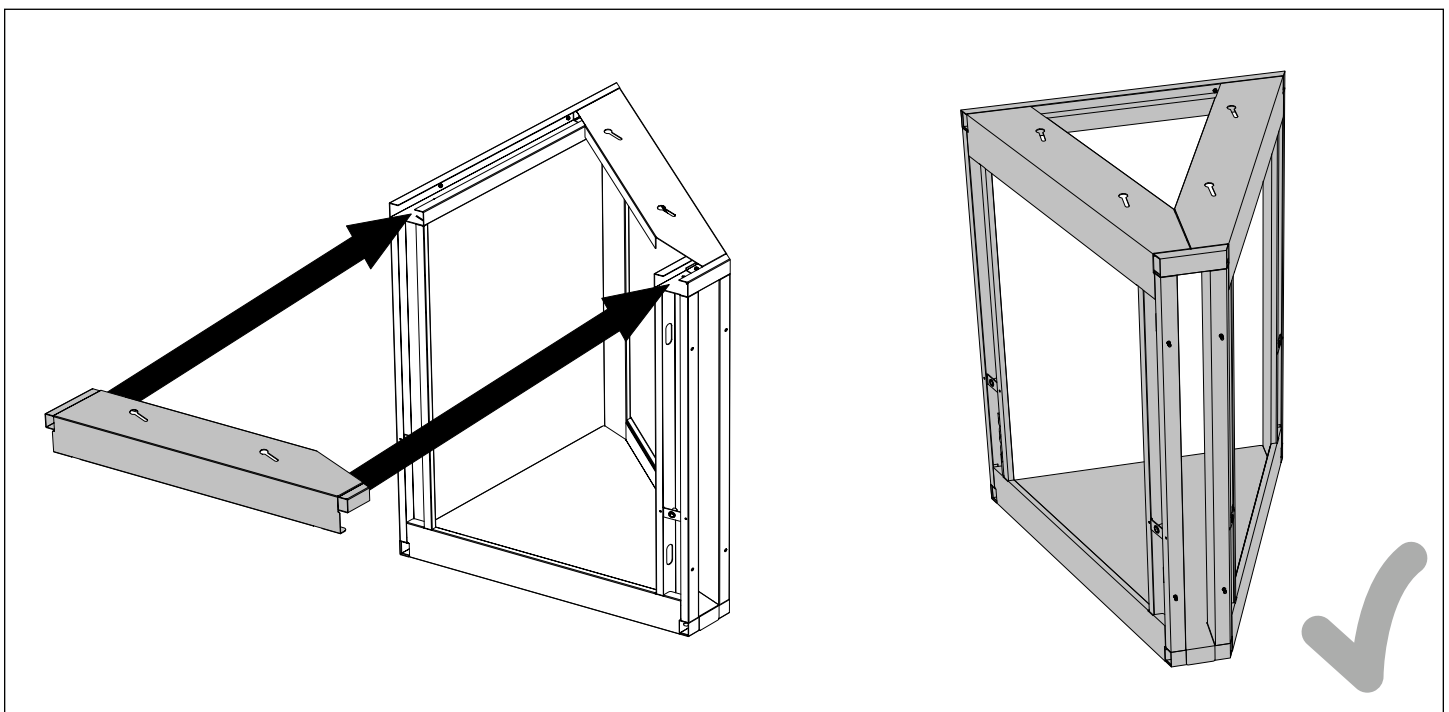


# Assembling the 45° Corner Cabinet

- 5** Slide the top right side beam into the open channels of the frames. To ensure the correct fitment, place your fingers on the beam as shown (A) and push it towards the channel until the snap fit (B) engages completely.

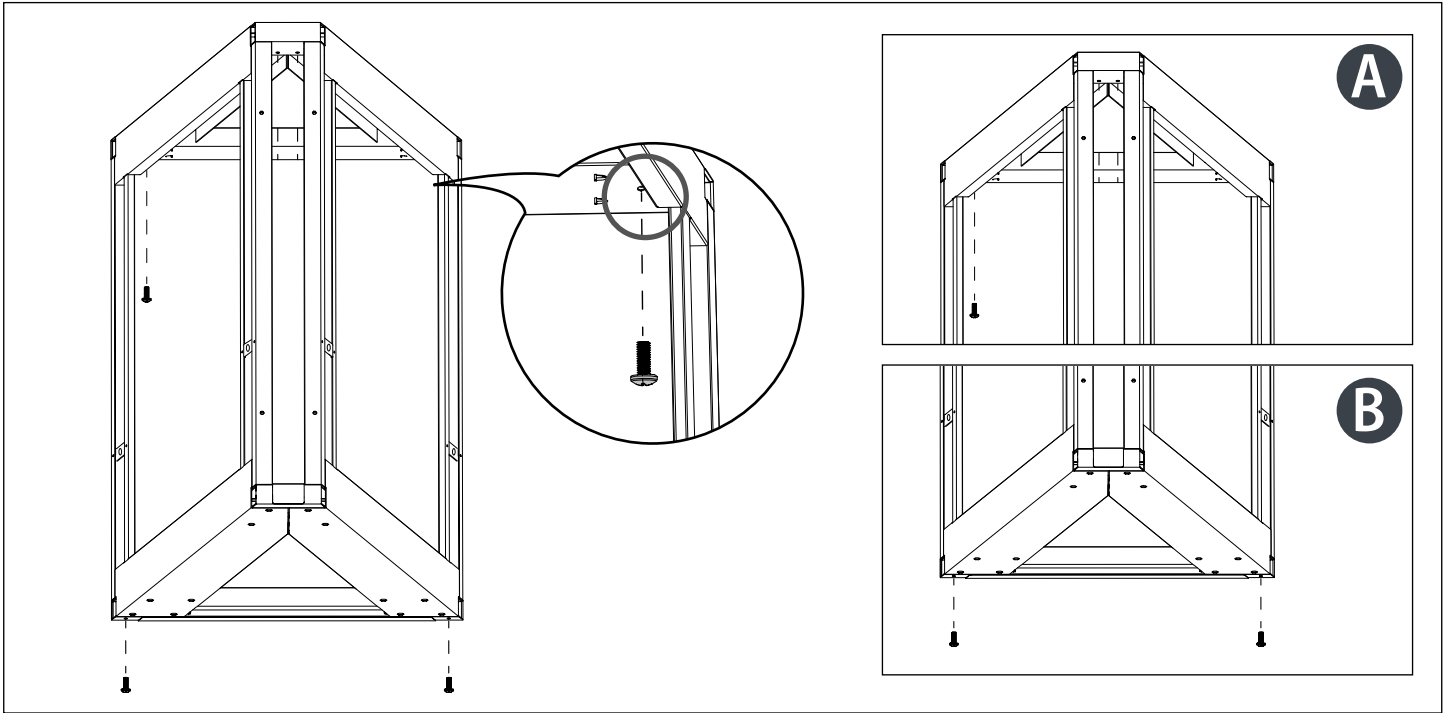


- 6** Similarly install the top left side beam.

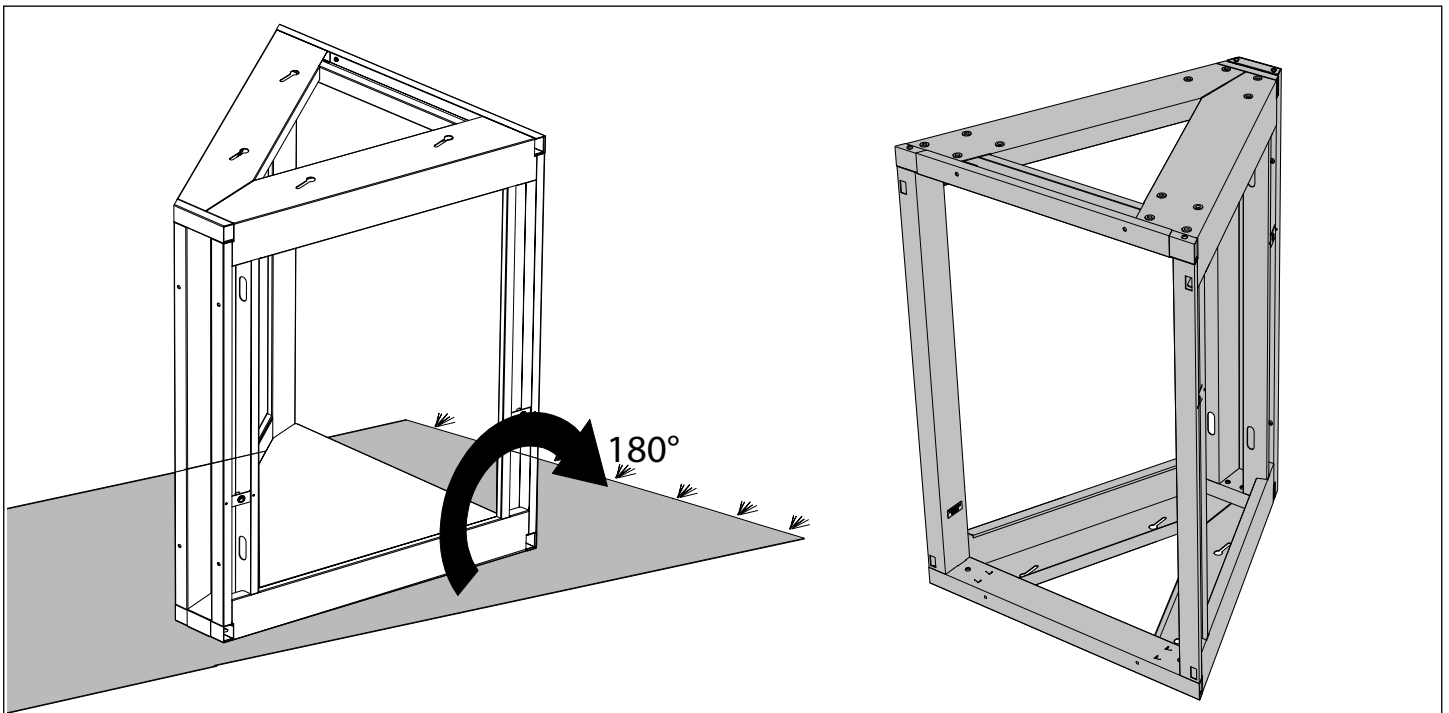


# Assembling the 45° Corner Cabinet

- 7** Install 6x Pan head screw M4. Ensure four screws on top (A) and two screws at the bottom (B).



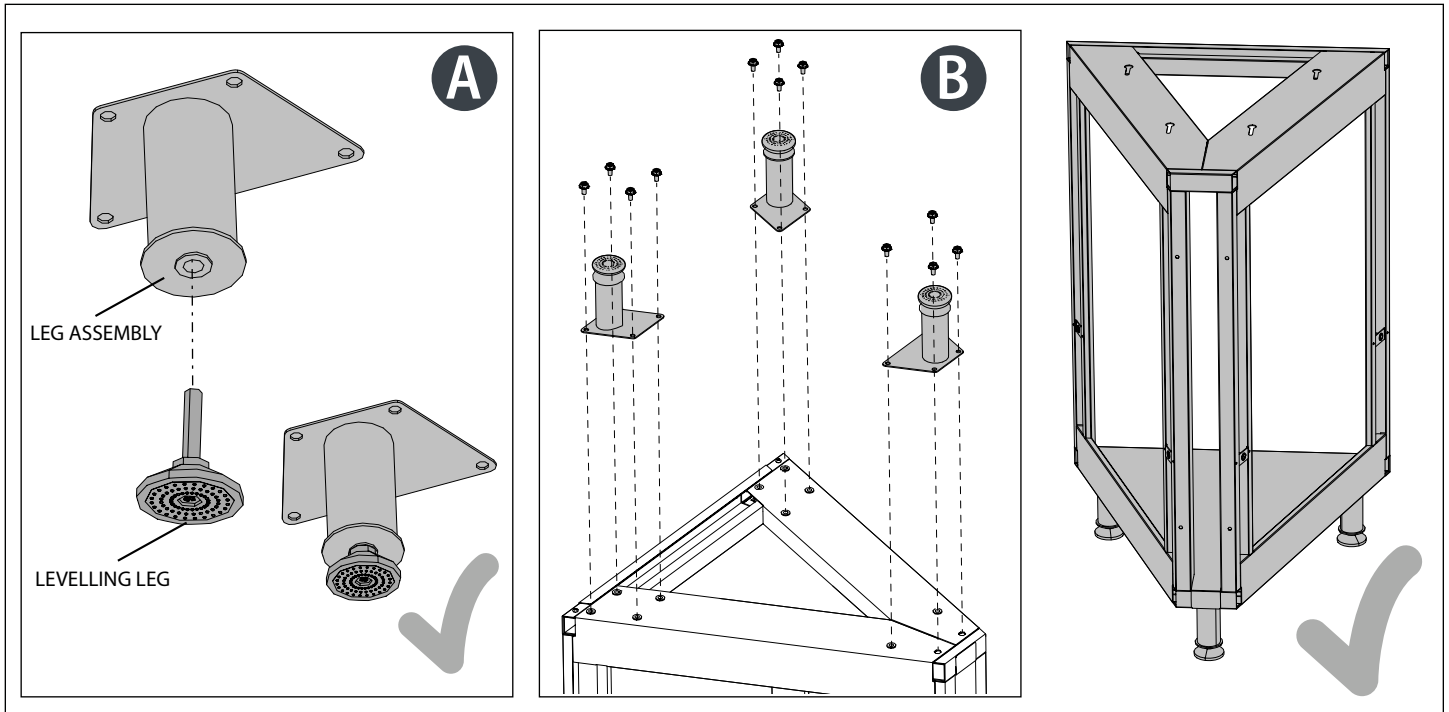
- 8** Flip the cabinet frame 180° on a safe and clean surface.



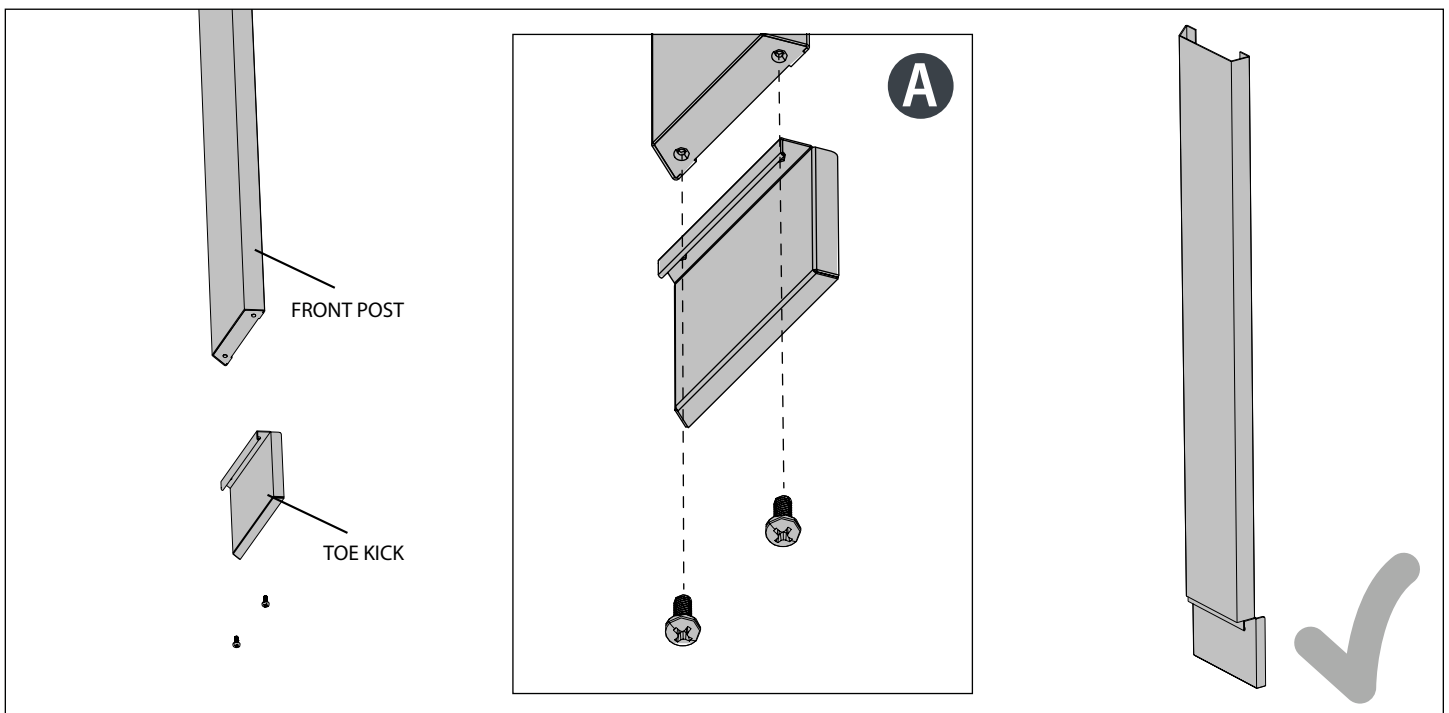


# Assembling the 45° Corner Cabinet

- 9** Tighten the 3x Levelling Leg into the 3x leg provided (A). Install the 3 legs to the bottom of the beams on the frame using 12x Flange hex head screw M6 as shown (B).

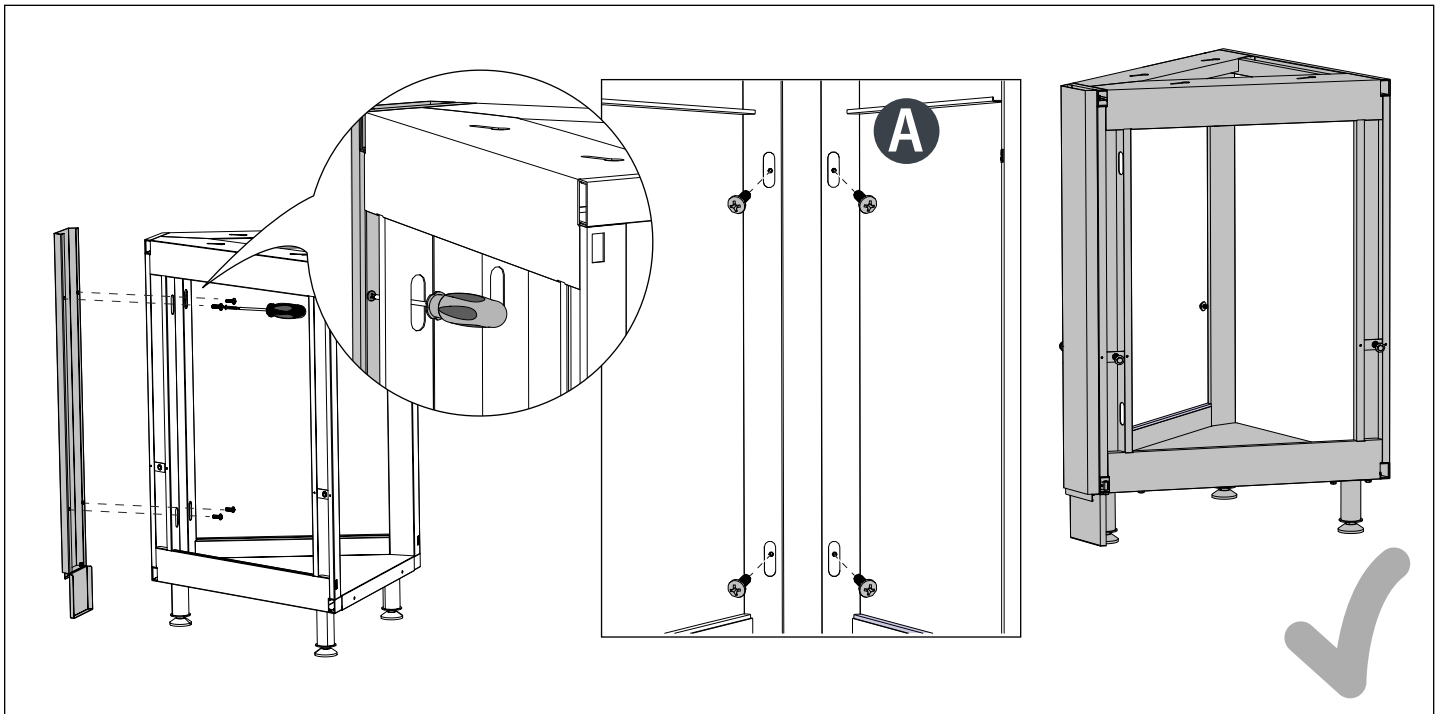


- 10** Install the bottom toe kick to the front post with 2x Pan head screw M4 as shown (A).

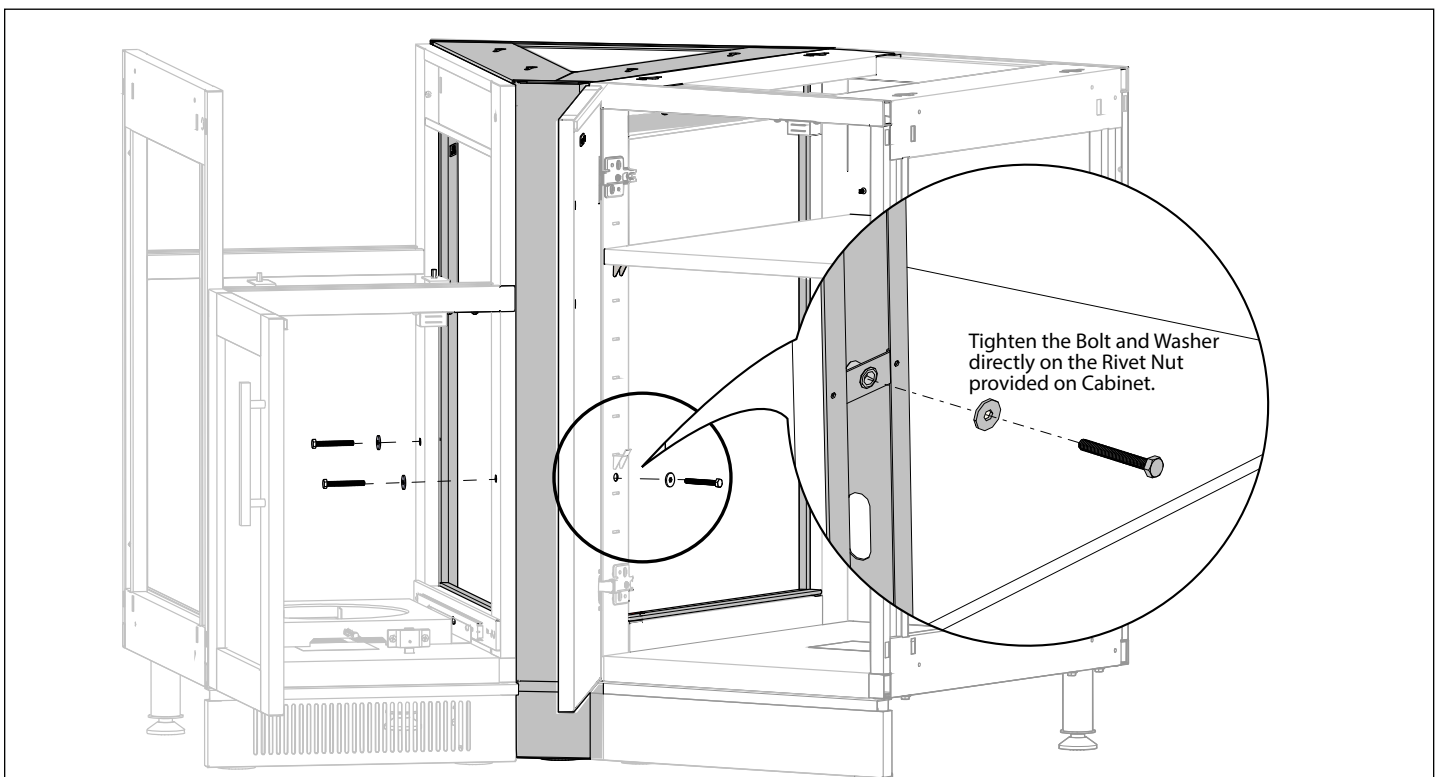


# Assembling the 45° Corner Cabinet

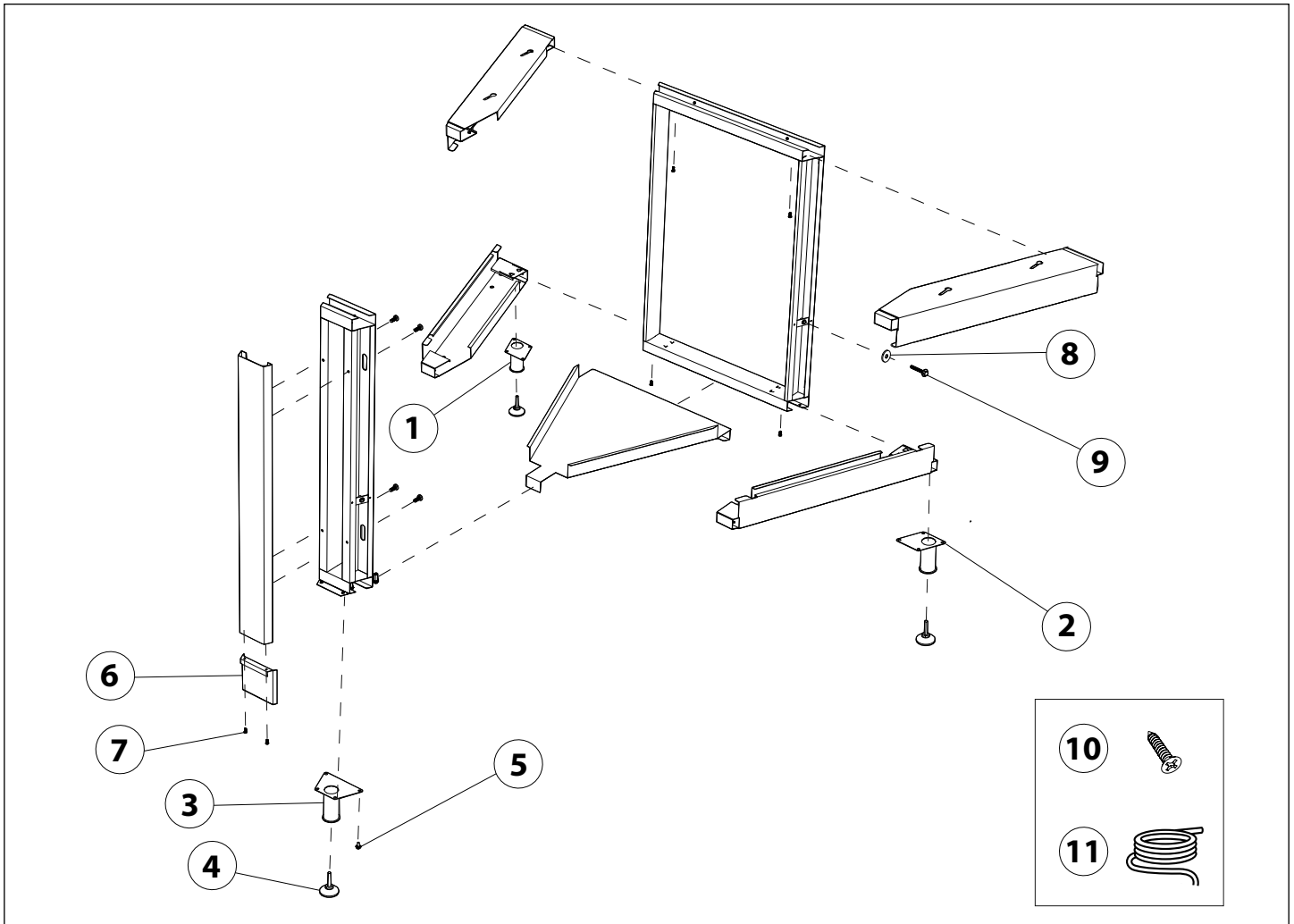
- 11** Install the front post to the main frame with 4x Pan head screws M4 as shown (A).



- 12** **NOTE:** To fasten the False Frame Cabinets, use the hardware (2x Hex head bolt M6, 4x Flat washer M6) provided. Level Cabinets and tighten all bolts.



# Spare parts - 45° Corner Cabinet



Callout	Engineering Part Number	Description	Qty
1	OK2-17.004.01A-01	Rear Left Leg	1
2	OK2-17.005.01A-01	Rear Right Leg	1
3	OK2-17.006.01A-01	Middle Leg	1
4	H00196A-01	Leveling Leg M8	1
5	H00532A-01	Flange Hex Head Screw - M6X12	1
6	OK2-17.007A-01	45° Corner Cabinet - Toe Kick	1
7	H00204A-01	Pan Head Screws M4X10m	1
8	H00199A-01	Flat Washer M6	1
9	H00198A-01	Hex Head bolt M6X50mm	1
10	H00633A-01	Flat Head Screw (#10x1.25in) - For Fiber Cement Boards	1
11	OK2-10.006A-01	Rubber Gasket - For Countertop	1

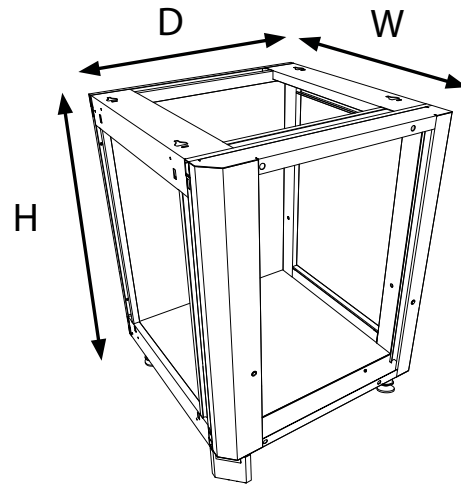
# Assembling the 90° Corner Cabinet

## Product Specifications


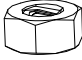



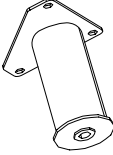




### 90° Corner Cabinet

W 24.75in x D 24.73in x H 34.77in

SKU#66115



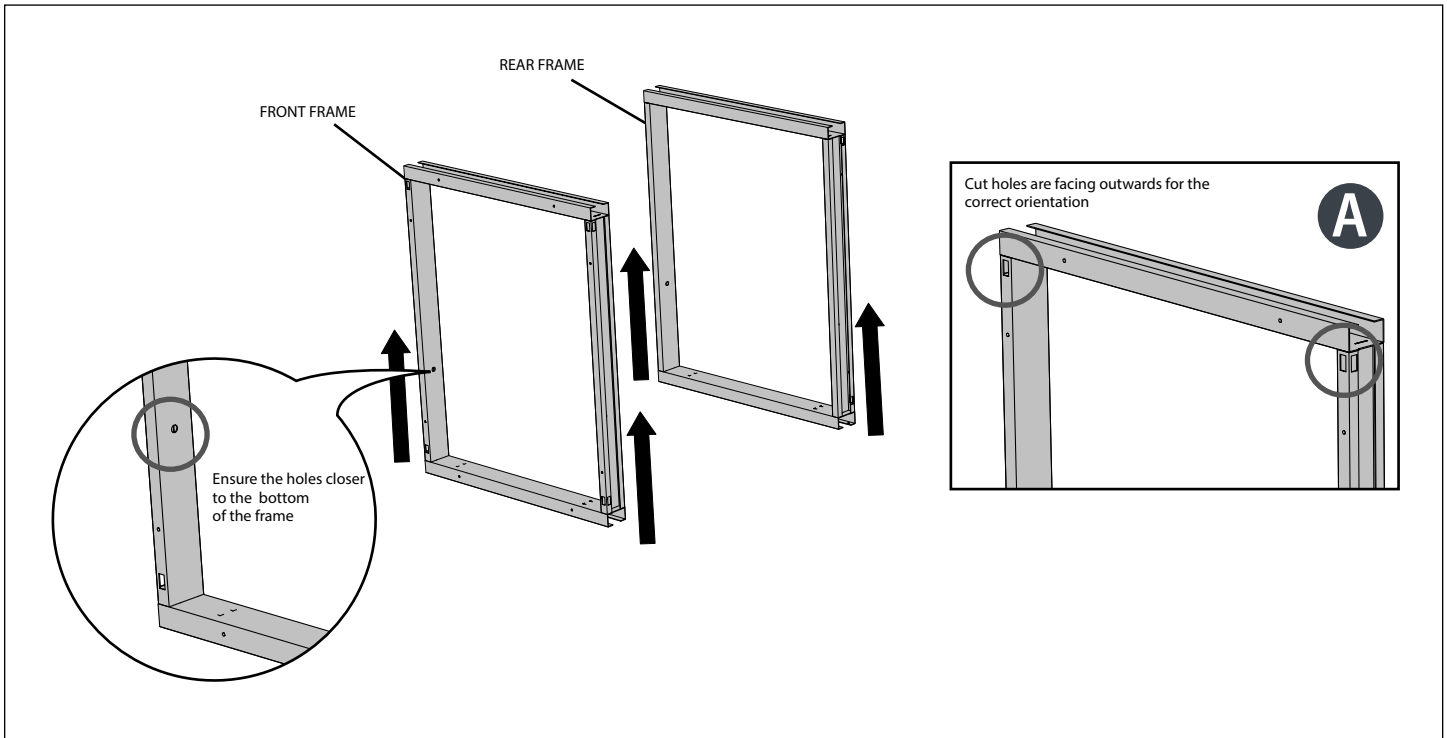
## Hardware Included

				
Hex Head Bolt M6X50mm <b>X4</b>	Hex Nut M6 <b>X2</b>	Flat Washer M6 <b>X6</b>	Pan Head Screw M4X10mm <b>X14</b>	Flat Head Screw (#10x1.25in) <b>X12</b>
				
Leg <b>X4</b>	Leveling Leg M8 <b>X4</b>	Flange Hex Head Screw M6X12mm <b>X12</b>	Rubber Gasket (Supplied) <b>X1</b>	Drill Bit M3.5 (Supplied) <b>X1</b>

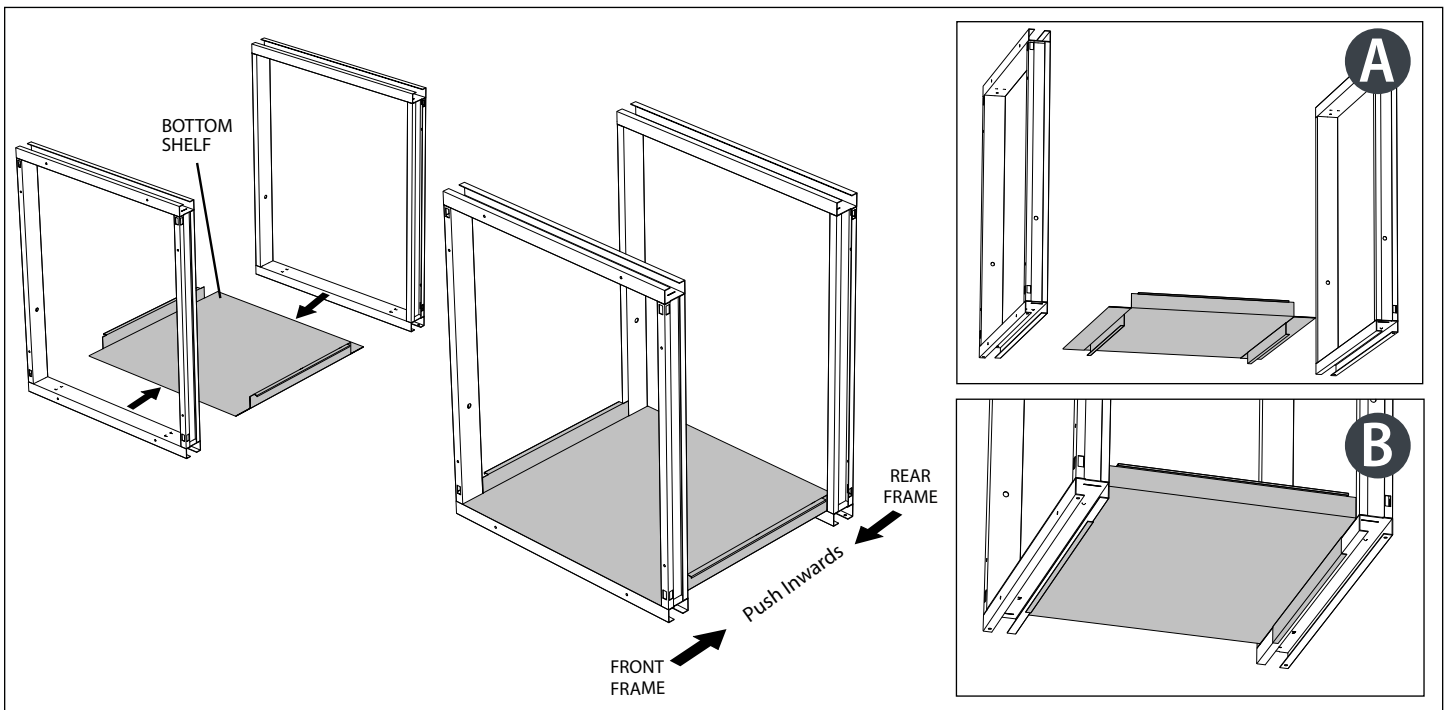
S.No.	Description	90° Corner Cabinet
1	Hex Head Bolt M6X50mm	4
2	Nut M6	2
3	Flat Washer M6	6
4	Pan Head Screw M4X10mm	14
5	Leg	4
6	Flat Head Screw (#10x1.25in) (For mounting Fiber Cement Boards on Cabinets)	12
7	Leveling Leg M8	4
8	Flange Hex Head Screw M6X12	12
9	Rubber Gasket (For Countertop Assembly)	1
10	Drill Bit M3.5 (For mounting Fiber Cement Boards on Cabinets)	1

# Assembling the 90° Corner Cabinet

- 1 Place the two welded frames upright. Ensure the orientation as shown (A).

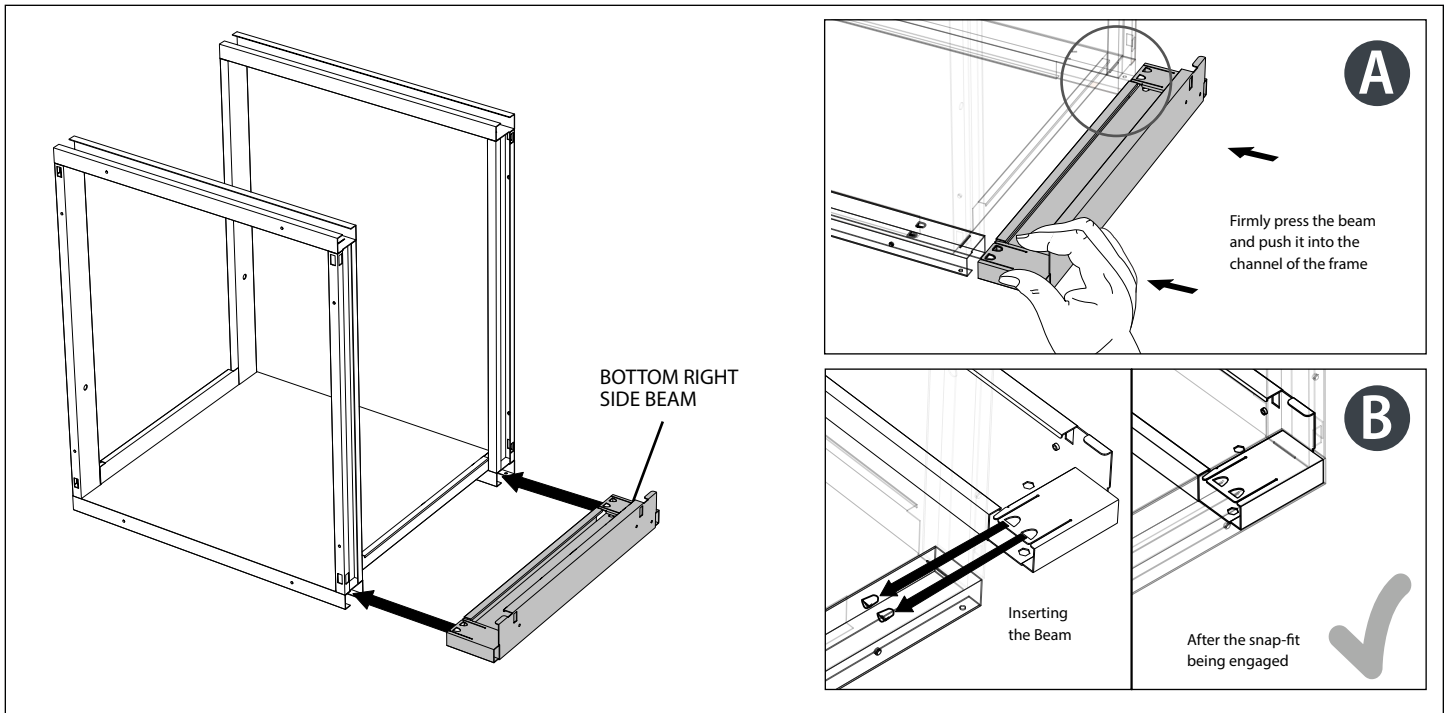


- 2 While holding the frame, place the bottom shelf over the base beams of both the frames (A). Push the welded frame inwards to fit the bottom shelf (B).

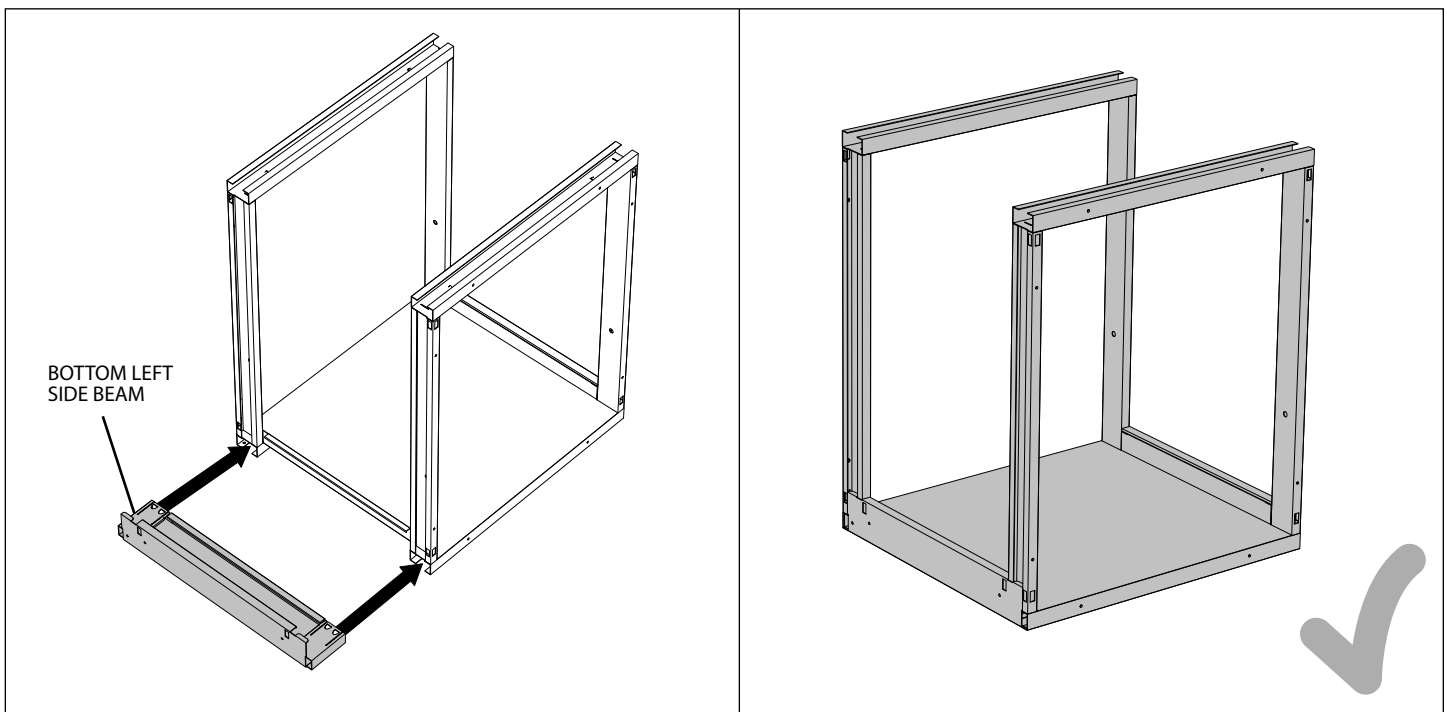


# Assembling the 90° Corner Cabinet

- 3** Slide the bottom right side beam into the open channels of the frames. To ensure the correct fitment, place your fingers on the beam as shown (A) and push it towards the channel until the snap fit engages completely as shown (B).

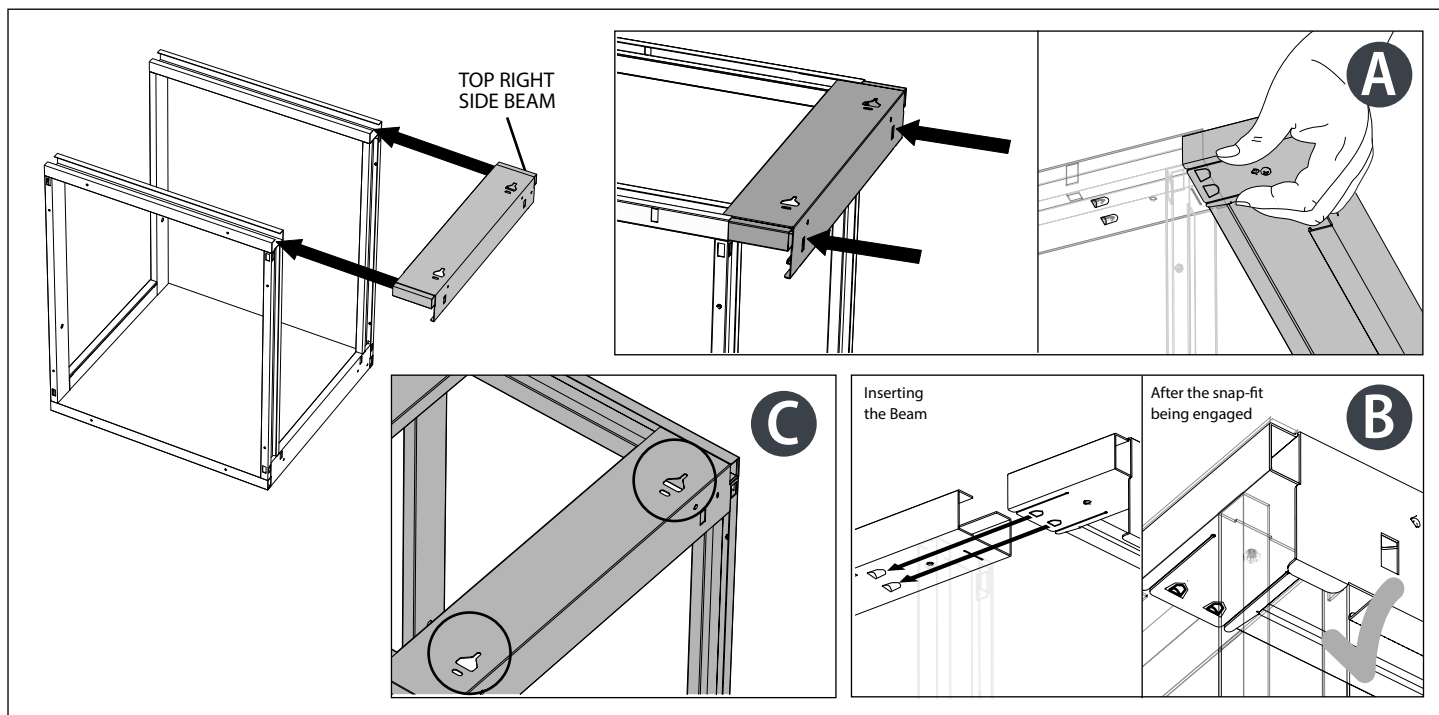


- 4** Similarly install the bottom left side beam.

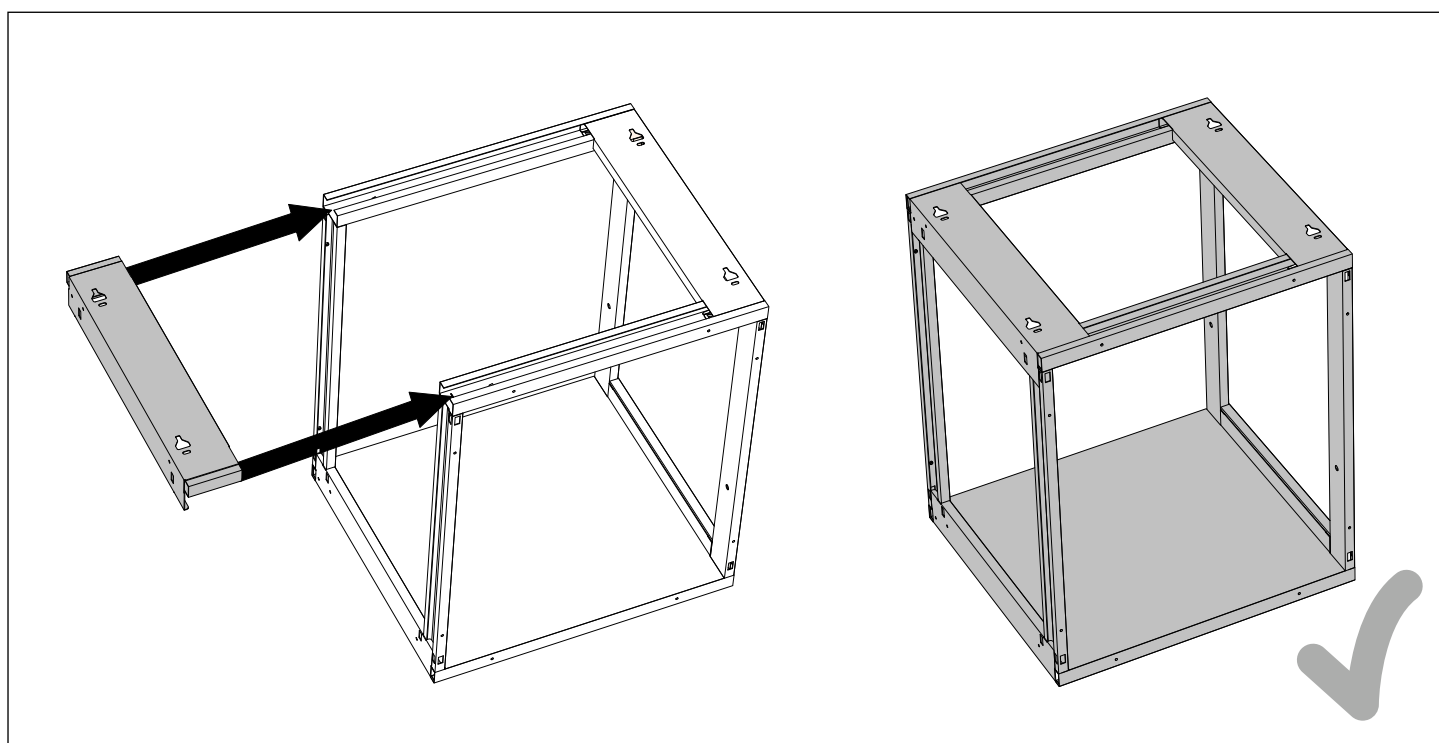


# Assembling the 90° Corner Cabinet

- 5** Slide the top right side beam into the open channels of the frames. To ensure the correct fitment, place your fingers on the beam as shown (A) and push it towards the channel until the snap fit engages completely as shown (B). For correct orientation, refer (C).

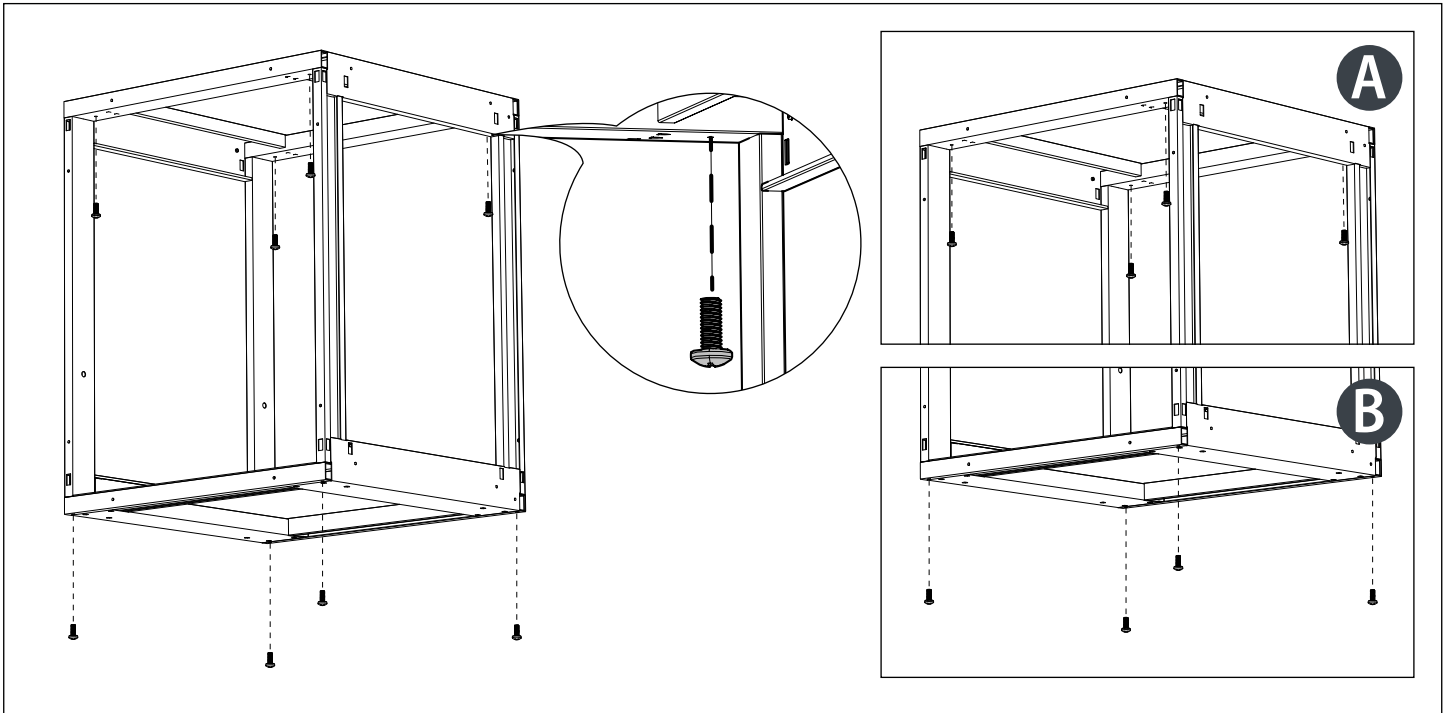


- 6** Similarly install the top left side beam.

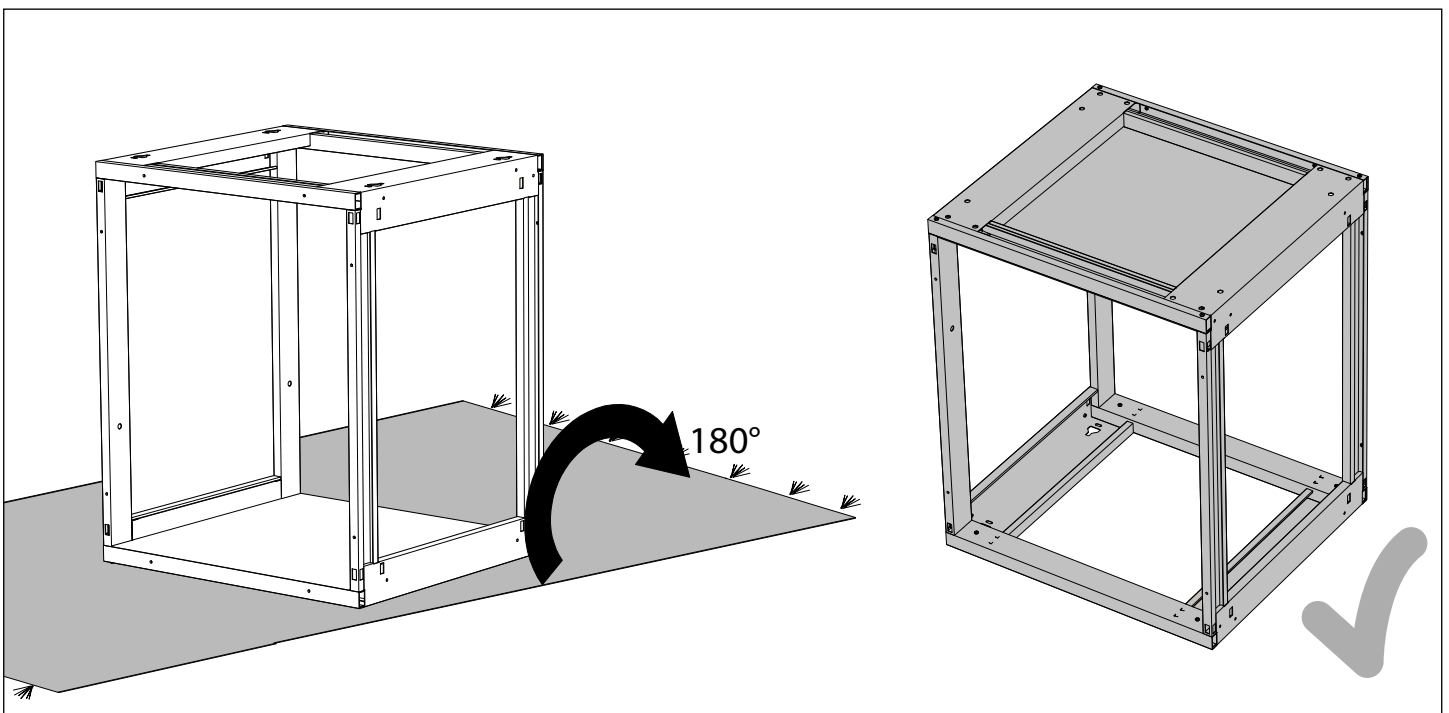


# Assembling the 90° Corner Cabinet

- 7** Install 8x Pan head screw M4.



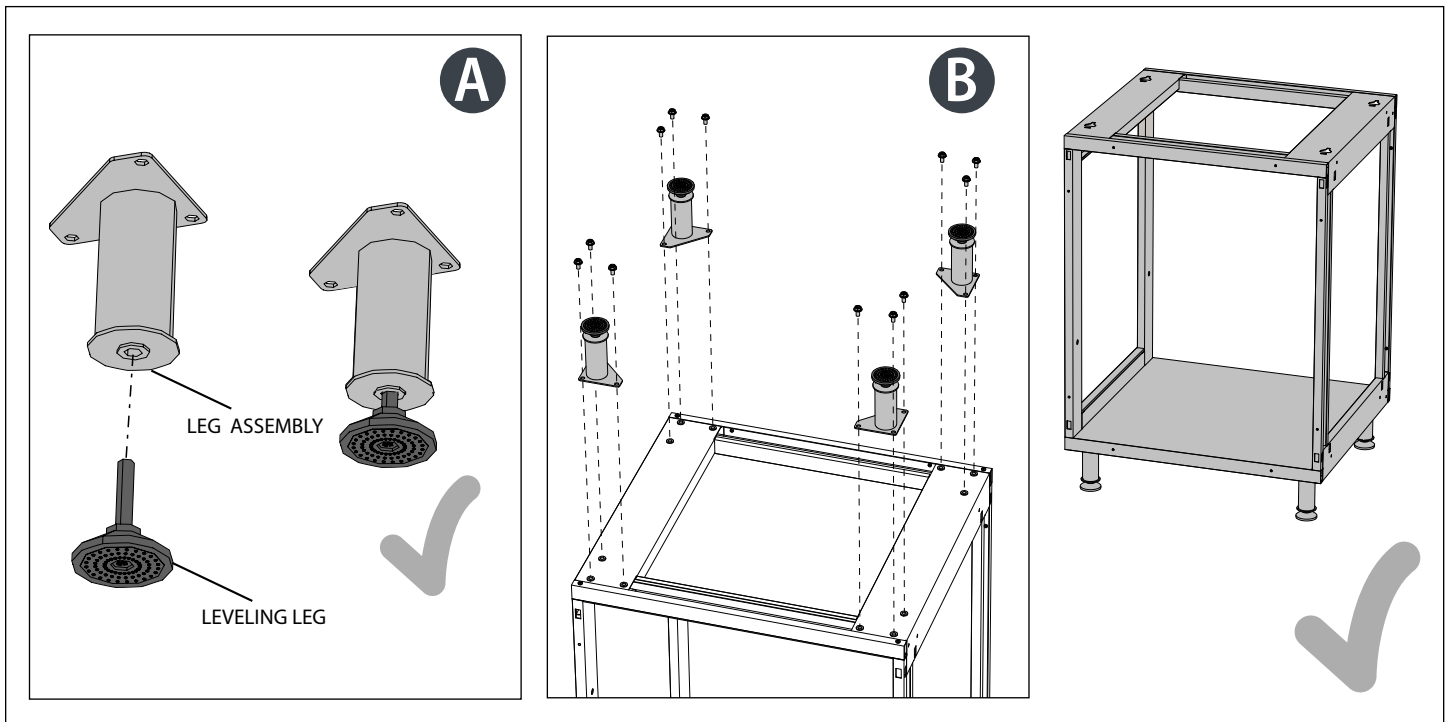
- 8** Flip the cabinet frame 180° on a safe and clean surface.



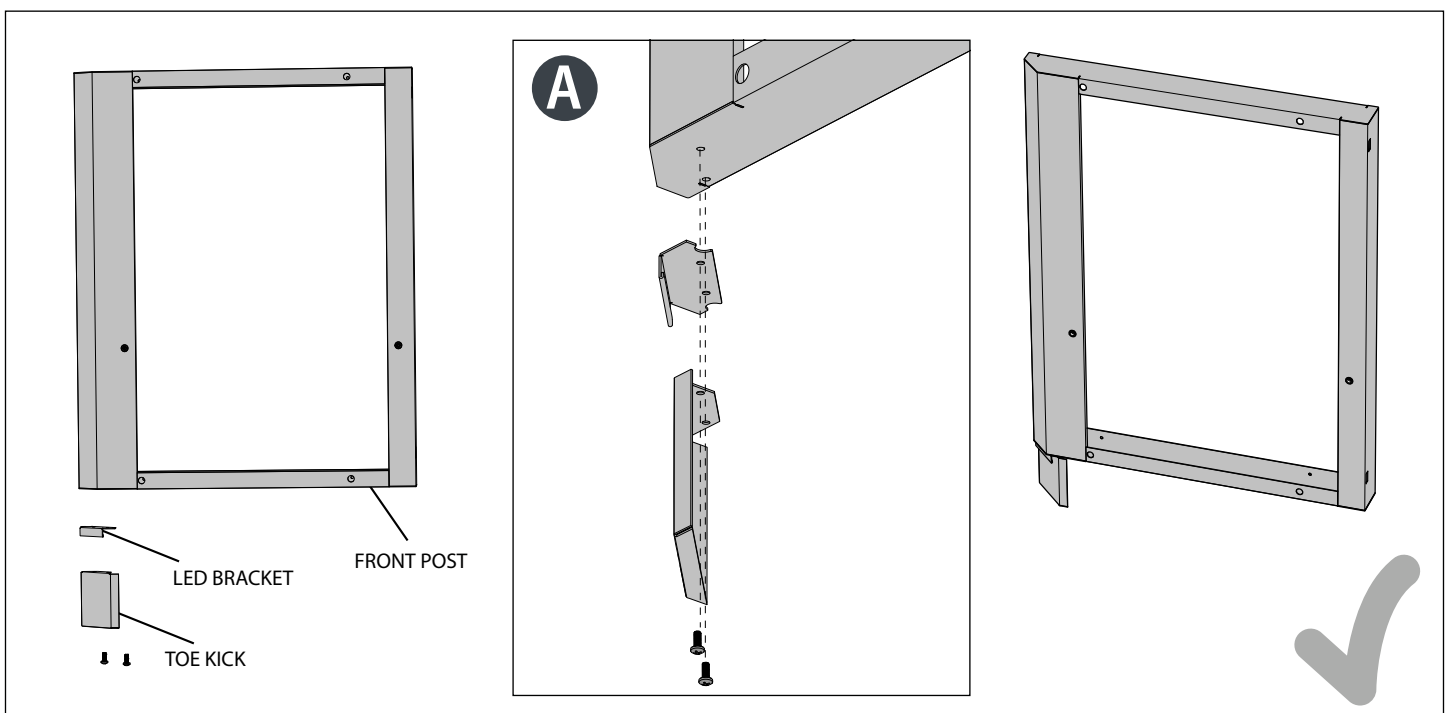


# Assembling the 90° Corner Cabinet

- 9** Tighten the 4x Leveling Leg (A) into 4x leg (B). Install the 4 legs to the bottom of the beams on the frame using 12x Flange hex head screw M6.

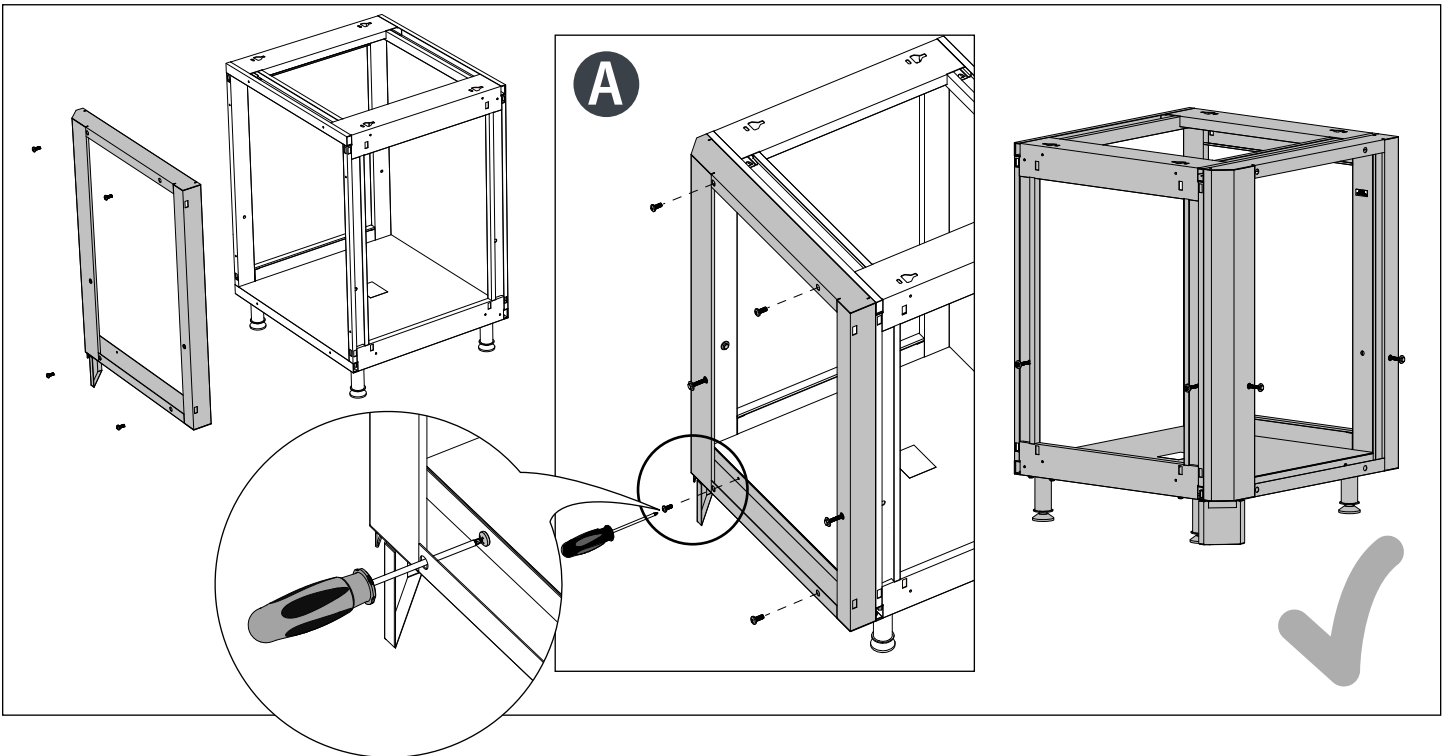


- 10** Install the bottom toe kick and LED Bracket to front panel with 2x Pan head screws(A).

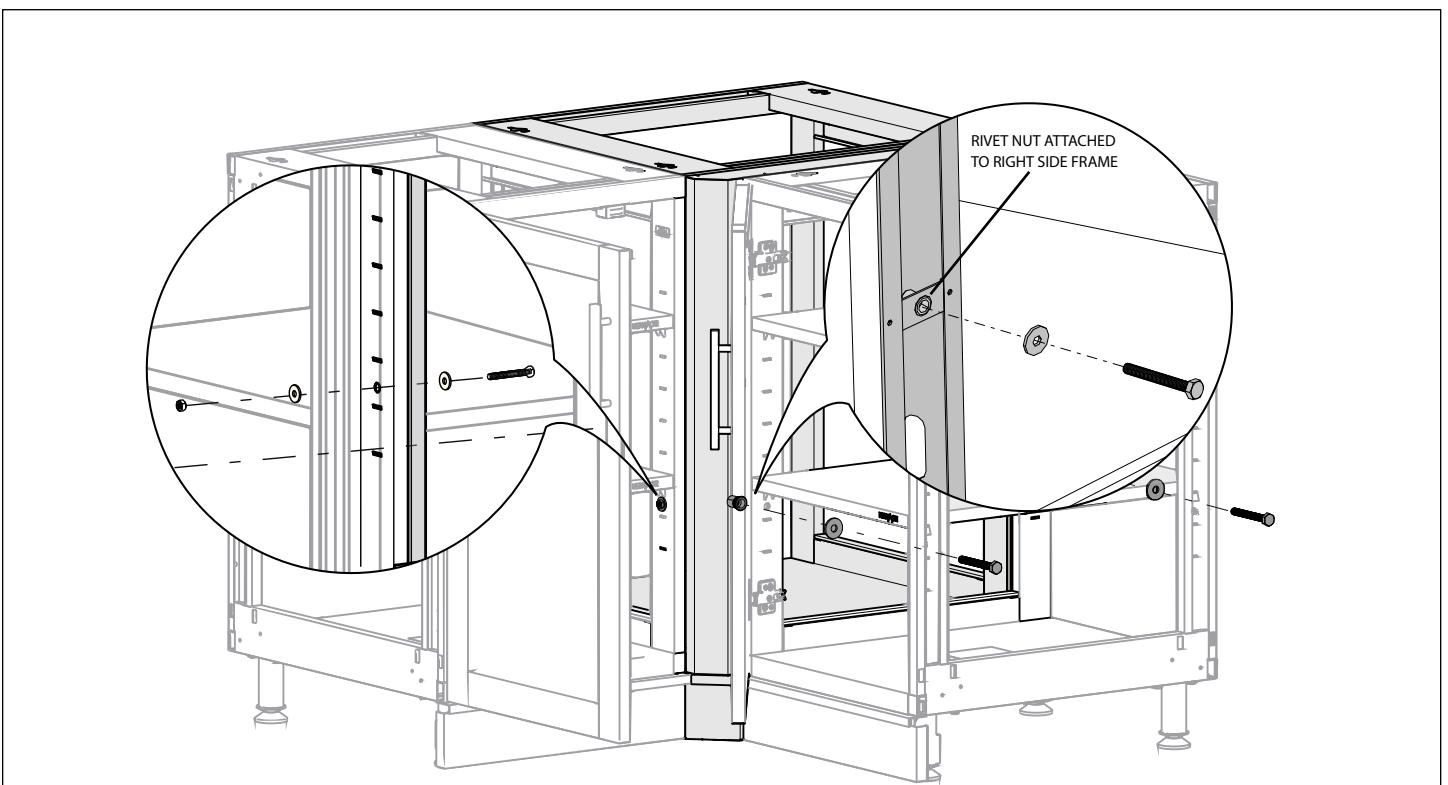


# Assembling the 90° Corner Cabinet

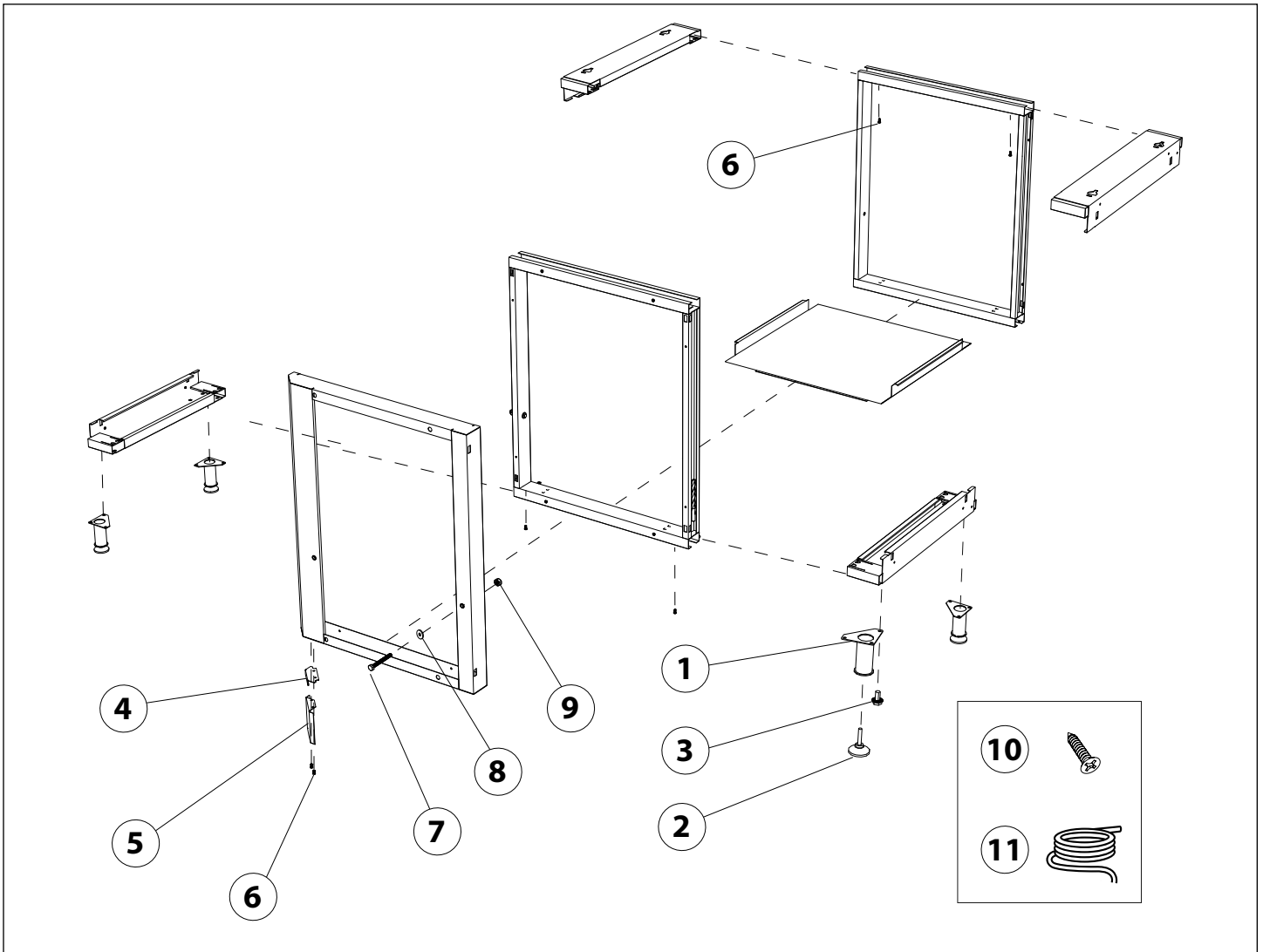
- 11** Install the front panel to the main frame with 4x Pan head screws M4 as shown (A).



- 12** **NOTE:** To connect 90° corner cabinet to other cabinets, use the hardware (4x Hex head bolt M6, 2x Hex Nut M6, 6x Flat washer M6) provided. Level Cabinets and tighten all bolts.



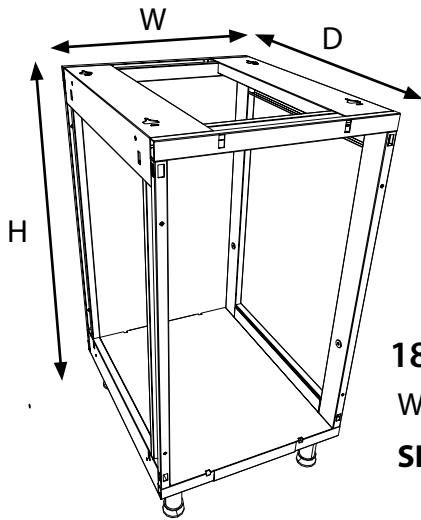
# Spare parts - 90° Corner Cabinet



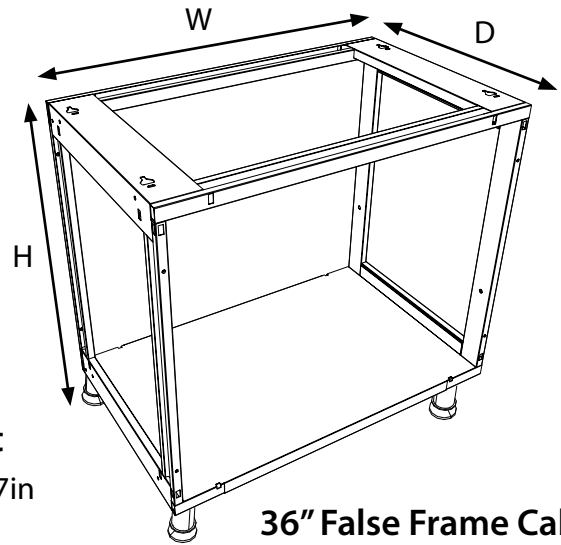
Callout	Engineering Part Number	Description	Qty
1	OK2-01.004.01A-01	Leg	1
2	H00196A-01	Leveling Leg	1
3	H00532A-01	Flange Hex Head Screw M6X12	1
4	OK2-16.002.06A-01	LED Plate	1
5	OK2-16.002.05A-01	Kick Plate	1
6	H00204A-01	Pan Head Screws M4X10mm	1
7	H00198A-01	Hex Head Bolt M6X50mm	1
8	H00199A-01	Flat Washer M6	1
9	H00200A-01	Hex Nut M6	1
10	H00633A-01	Flat Head Screw (#10x1.25in) - For Fiber Cement Boards	1
11	OK2-10.006A-01	Rubber Gasket (For Countertop Assembly)	1

# Assembling the 18" & 36" False Frame

## Product Specifications



**18" False Frame Cabinet**  
 W 18in x D 22.34in x H 34.77in  
**SKU#66113**



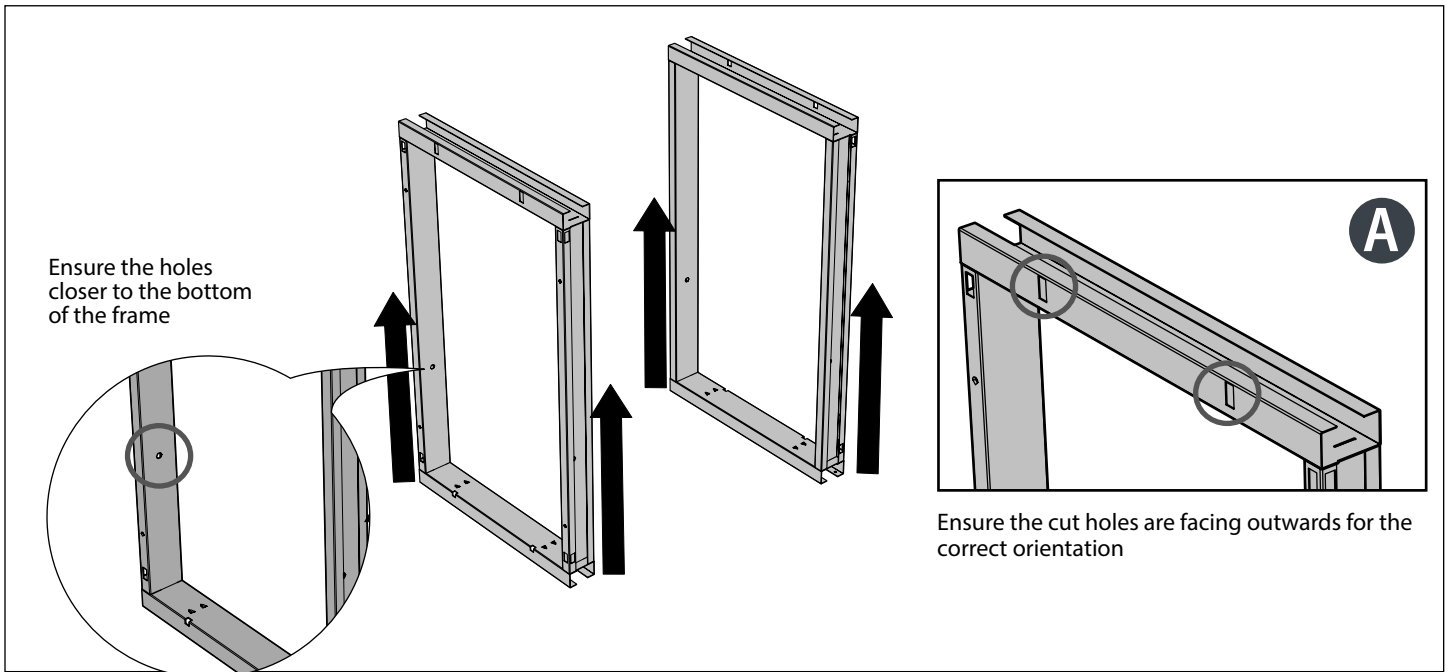
**36" False Frame Cabinet**  
**SKU#66114**

Hex Head Bolt M6X50mm <b>X2</b>	Hex Nut M6 <b>X2</b>	Flat Washer M6 <b>X4</b>	Pan Head Screw M4X10mm <b>X8</b>	Flat Head Screw (#10x1.25in) <b>X12</b>
Leg <b>X4</b>	Leveling Leg M8 <b>X4</b>	Flange Hex Head Screw M6X12mm <b>X12</b>	Rubber Gasket (Supplied) <b>X1</b>	Drill Bit M3.5 (Supplied) <b>X1</b>

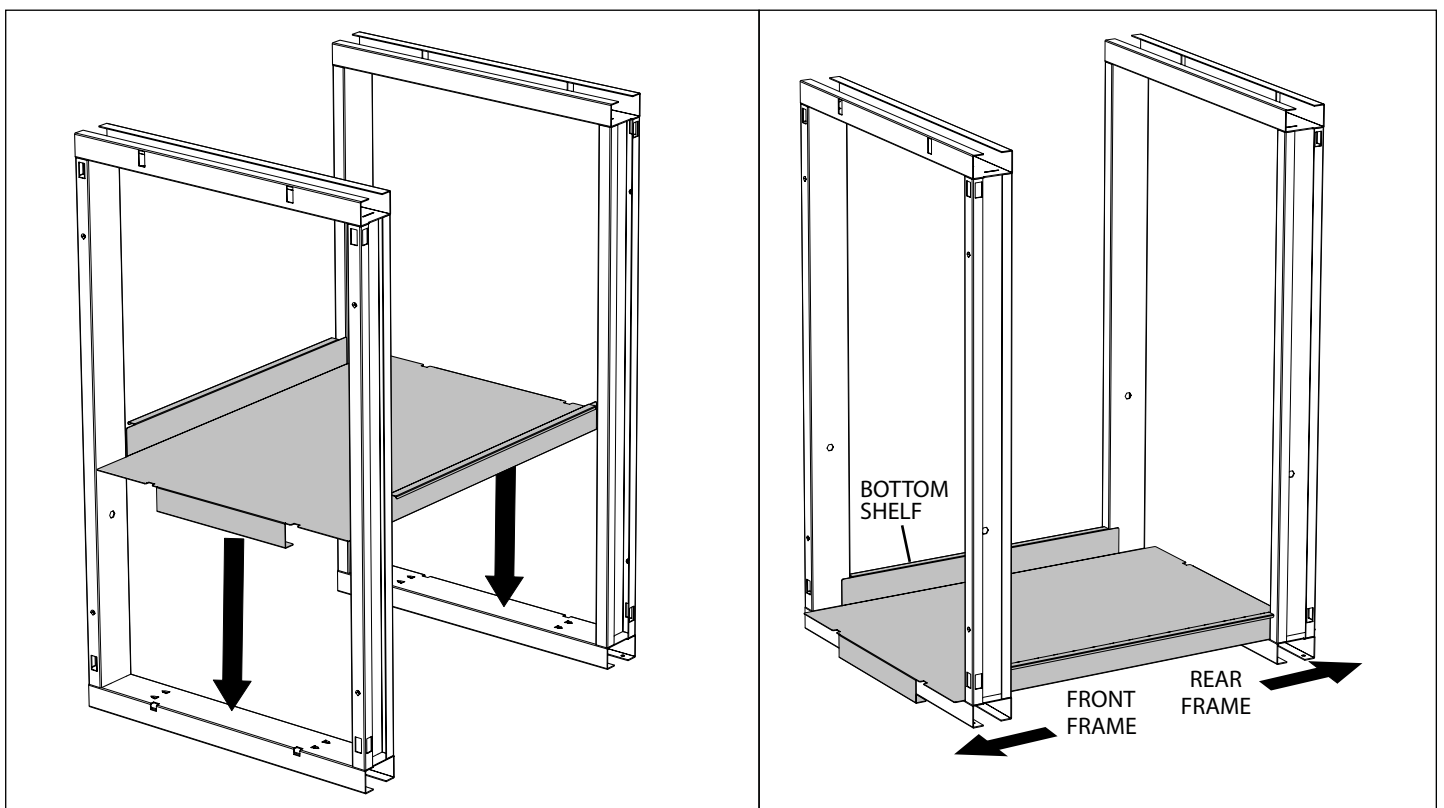
S.No.	Description	18in False Frame Cabinet	36in False Frame Cabinet
1	Hex Head Bolt M6X50mm	2	2
2	Hex Nut M6	2	2
3	Flat Washer M6	4	4
4	Leg	4	4
5	Leveling Leg M8	4	4
6	Flange Hex Head Screw M6X12mm	12	12
7	Pan Head Screw M4X10mm	8	8
8	Drill Bit M3.5 (For mounting Fiber Cement Boards on Cabinets)	1	1
9	Rubber Gasket (For Countertop Assembly)	1	1
10	Flat Head Screw (#10x1.25in) (For mounting Fiber Cement Boards on Cabinets)	12	12

# Assembling the 18" & 36" False Frame

- 1 Place the two welded frames upright. Ensure the orientation of the front frame as shown (A).

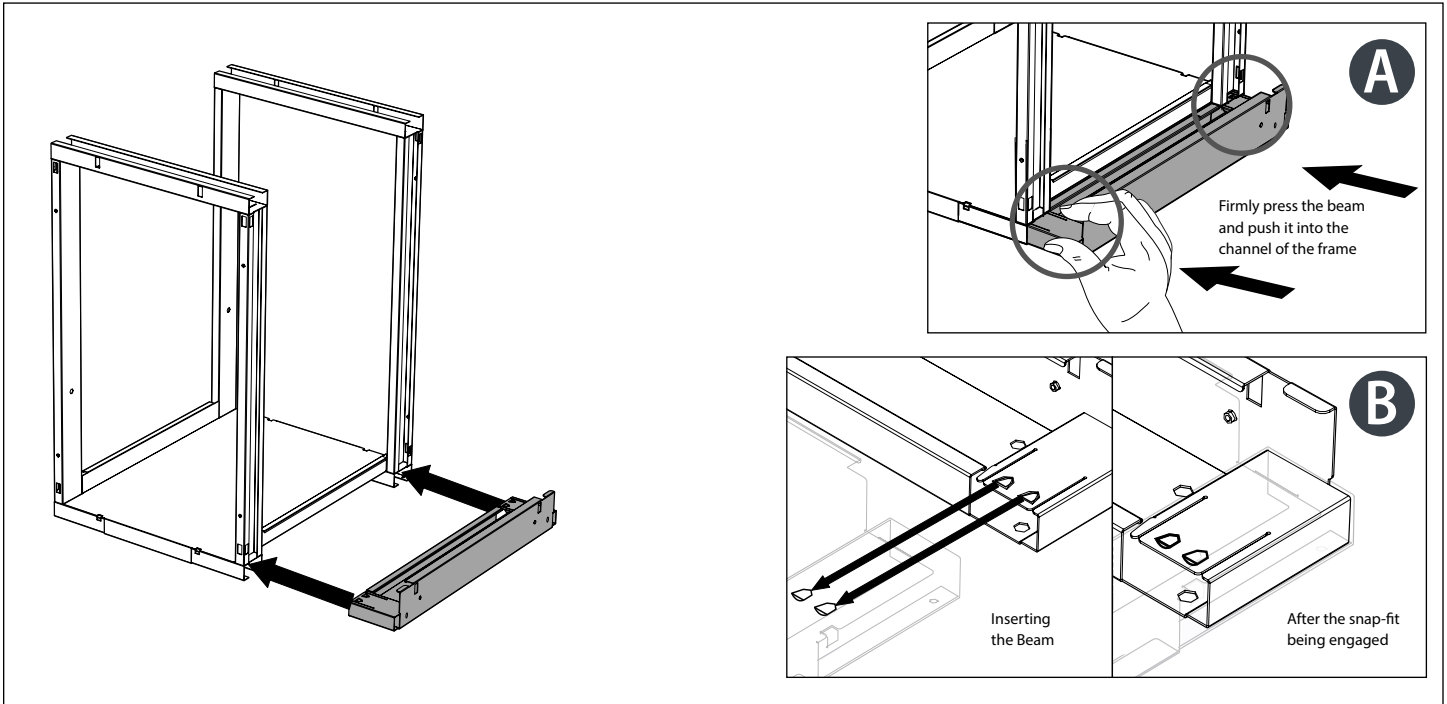


- 2 While holding the frames, place the bottom shelf on the base beams of both the frames. Push the welded frames outward to fit perfectly with the bottom shelf.

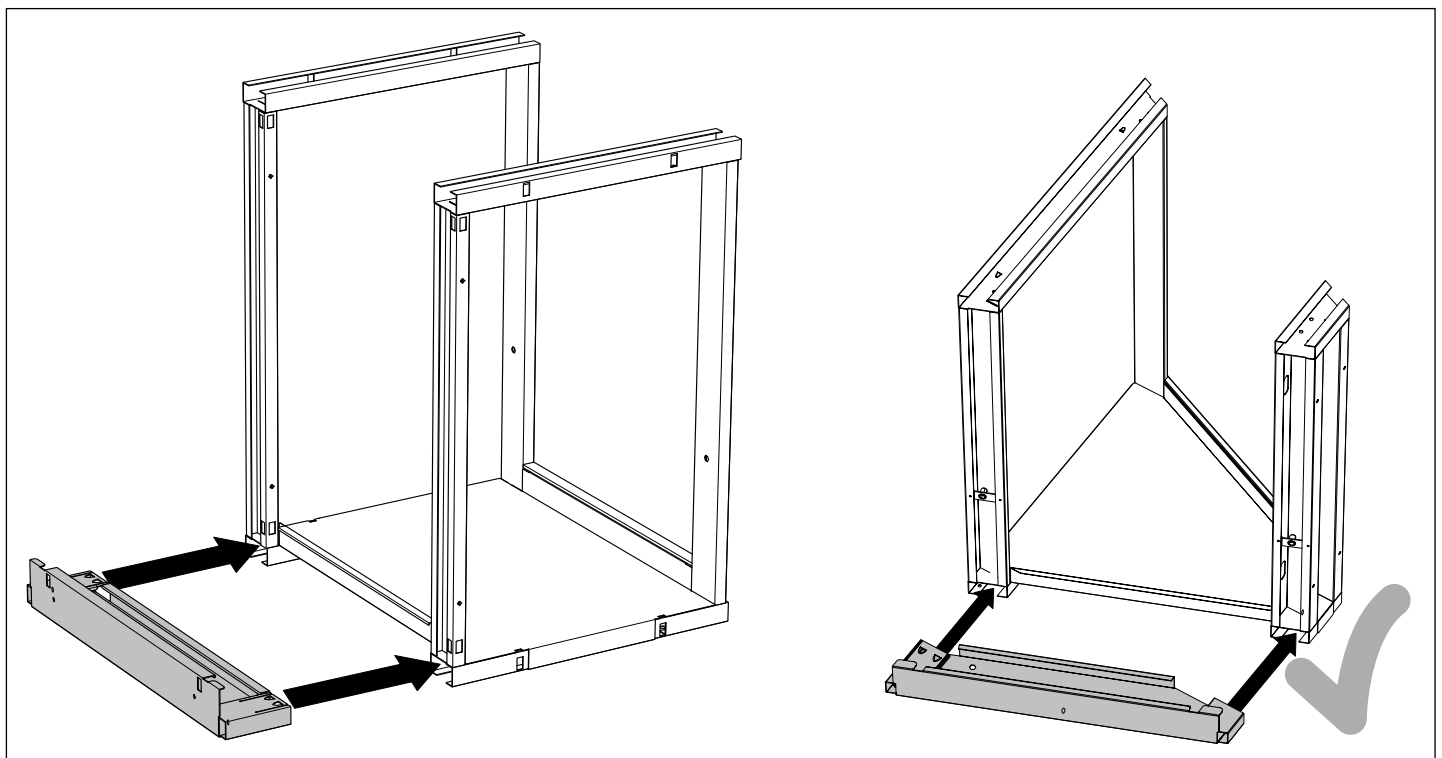


# Assembling the 18" & 36" False Frame

- 3** Slide the bottom right side beam into the open channels of the frames. To ensure the correct fitment, place your fingers on the beam as shown (A) and push it towards the channel until the snap fit engages completely as shown (B).

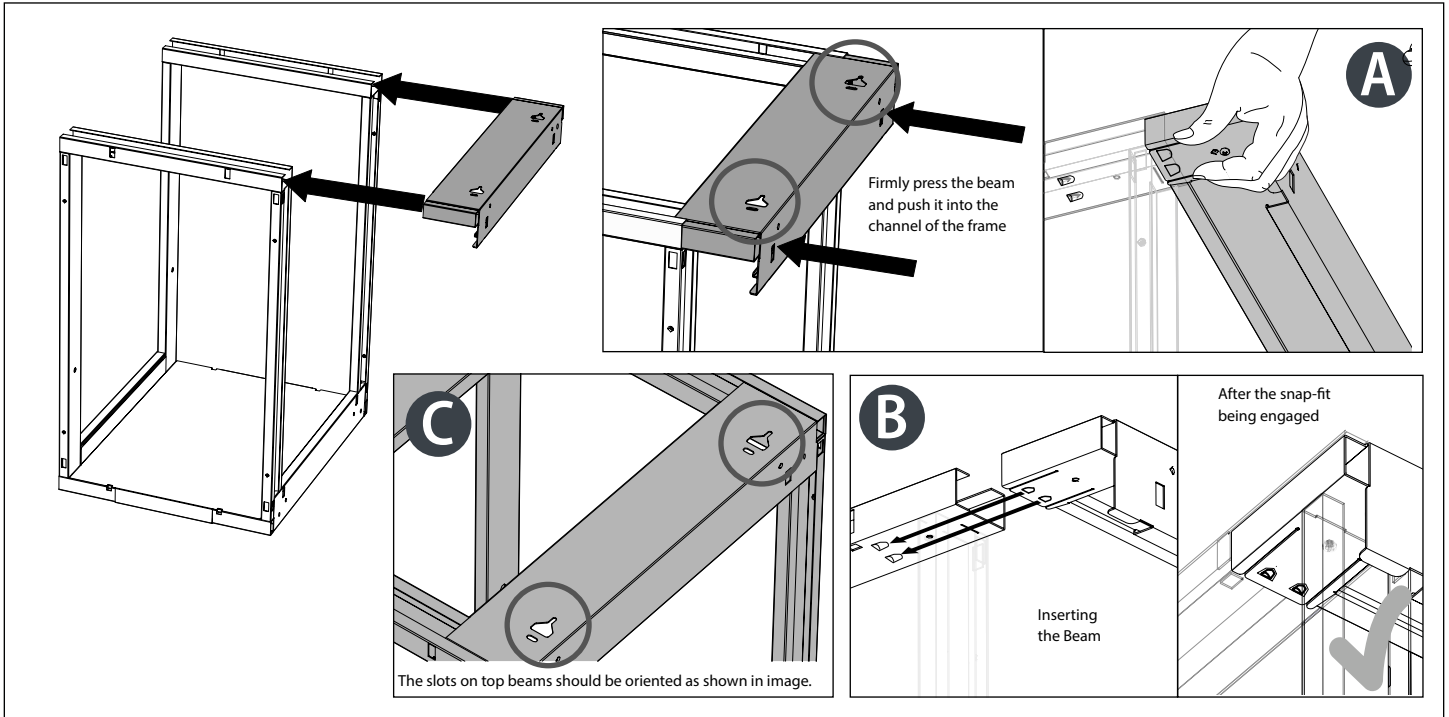


- 4** Similarly install the bottom left side beam.

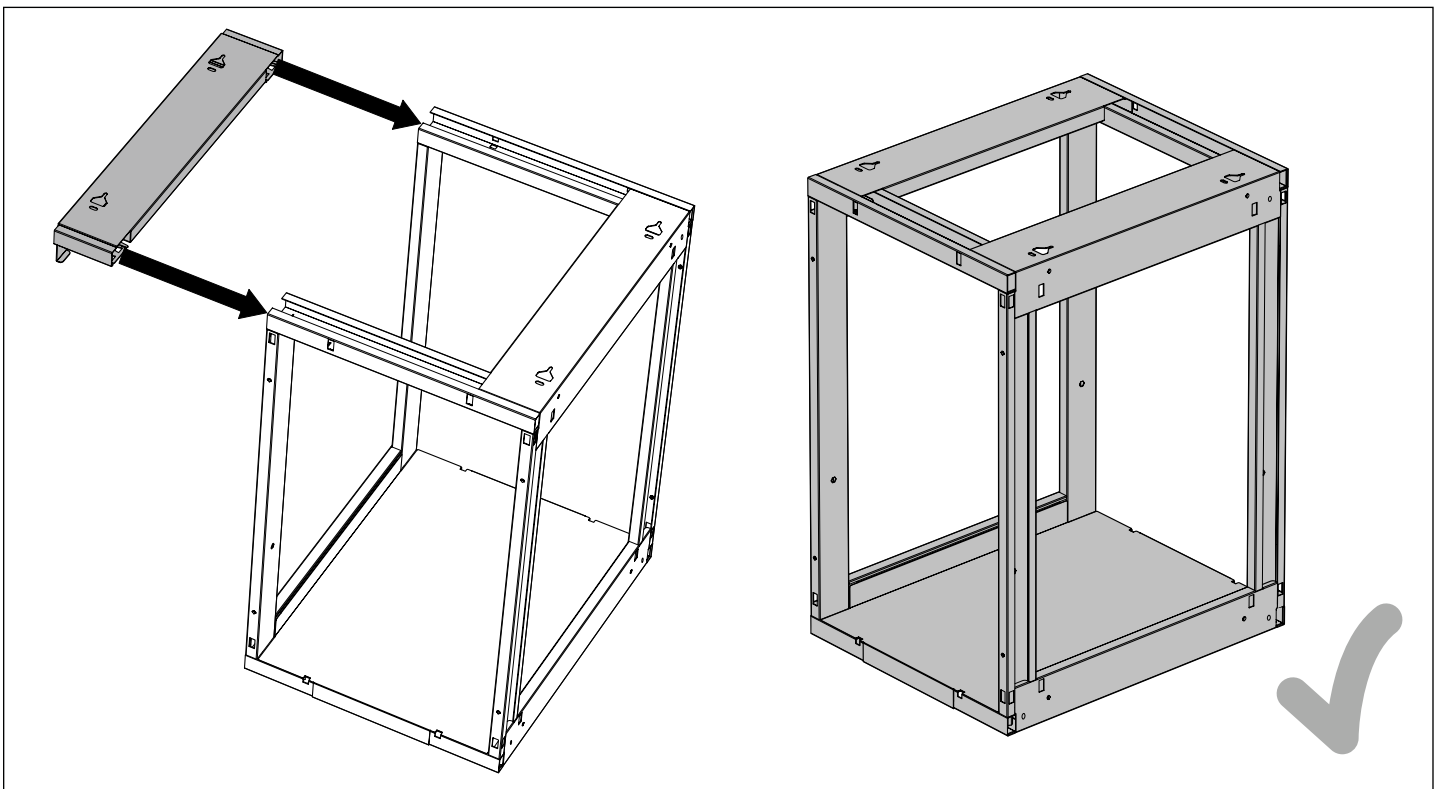


# Assembling the 18" & 36" False Frame

- 5** Slide the top right side beam into the open channels of the frames. To ensure the correct fitment, place your fingers on the beam as shown (A) and push it towards the channel until the snap fit engages completely as shown (B). For correct orientation, refer (C).

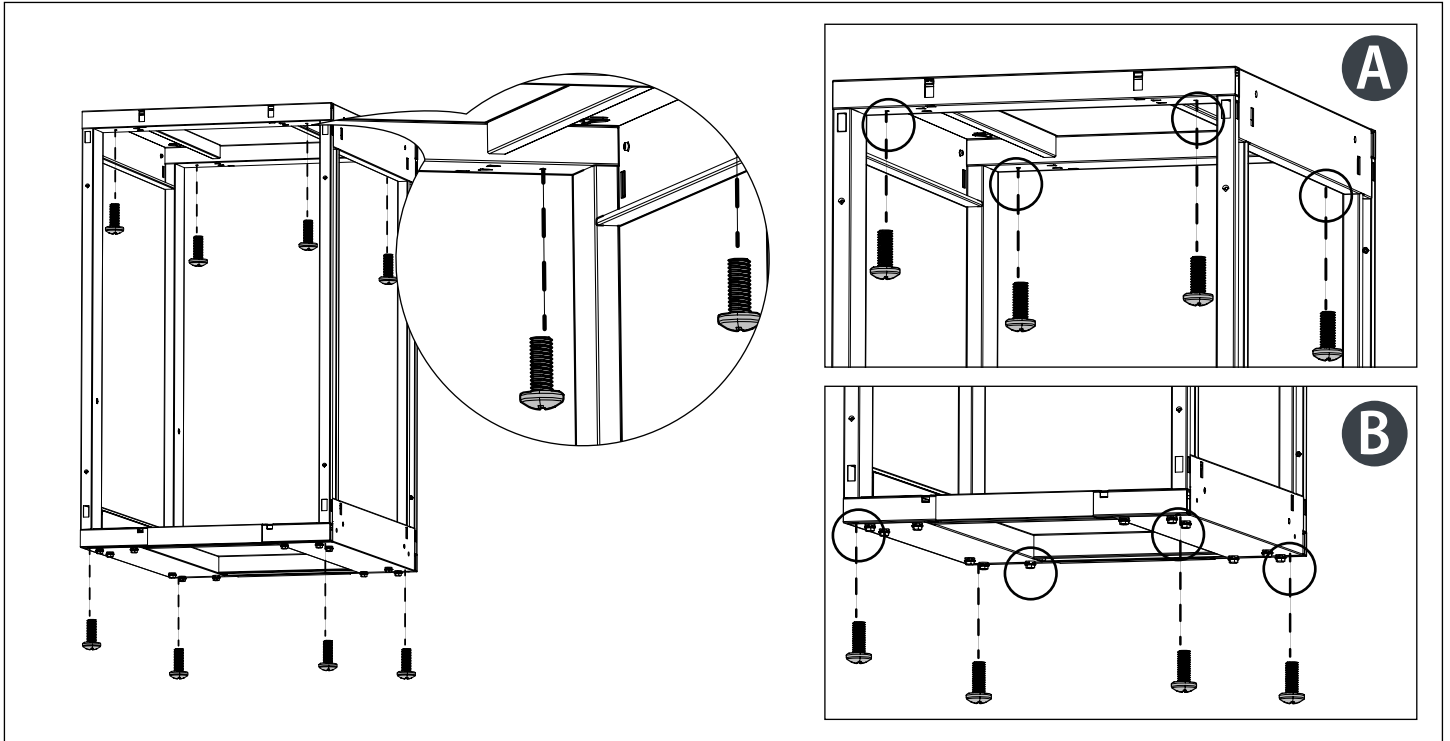


- 6** Similarly install the top left side beam.

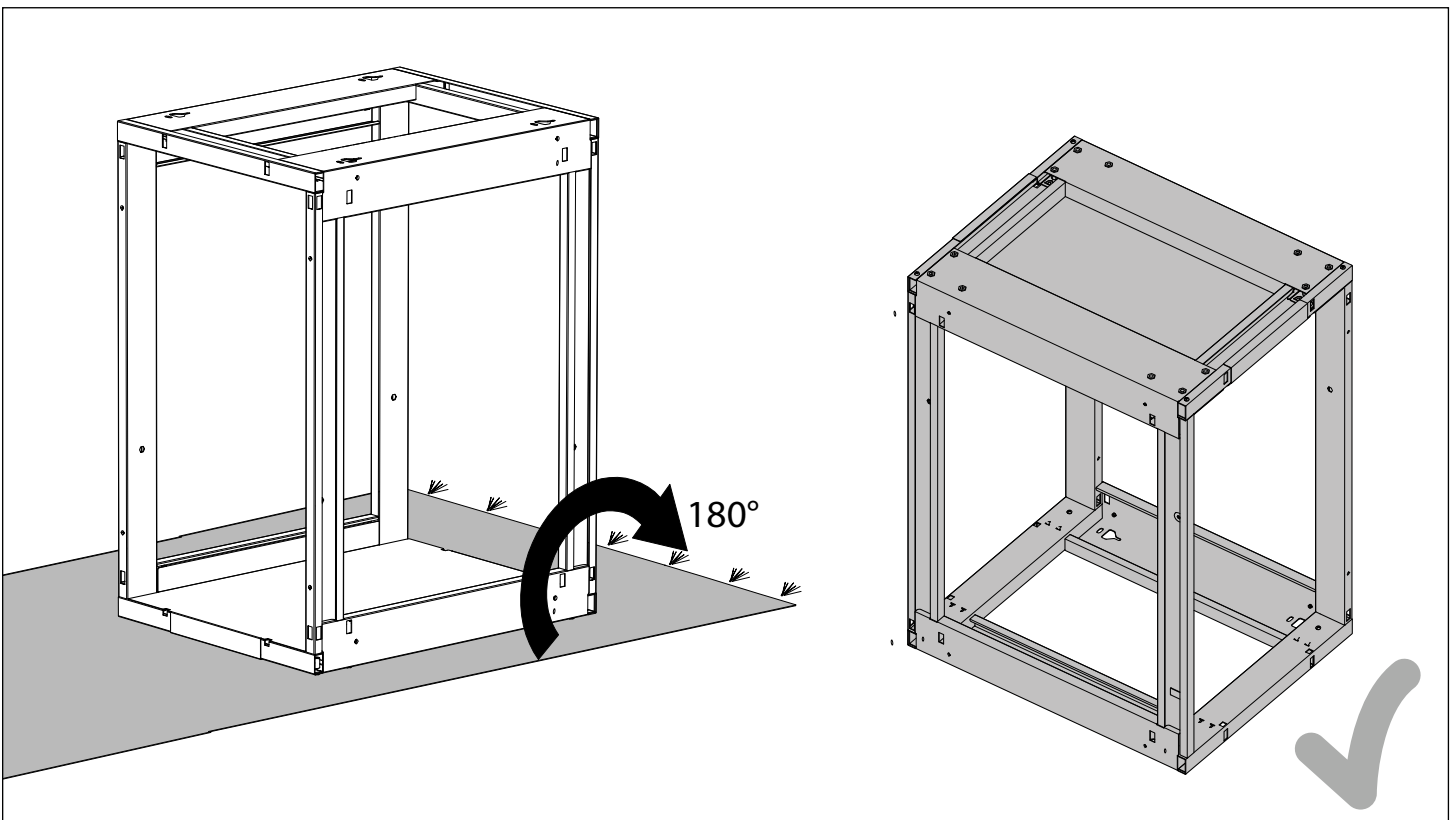


# Assembling the 18" & 36" False Frame

**7** Install 8x Pan Head Screws M4.



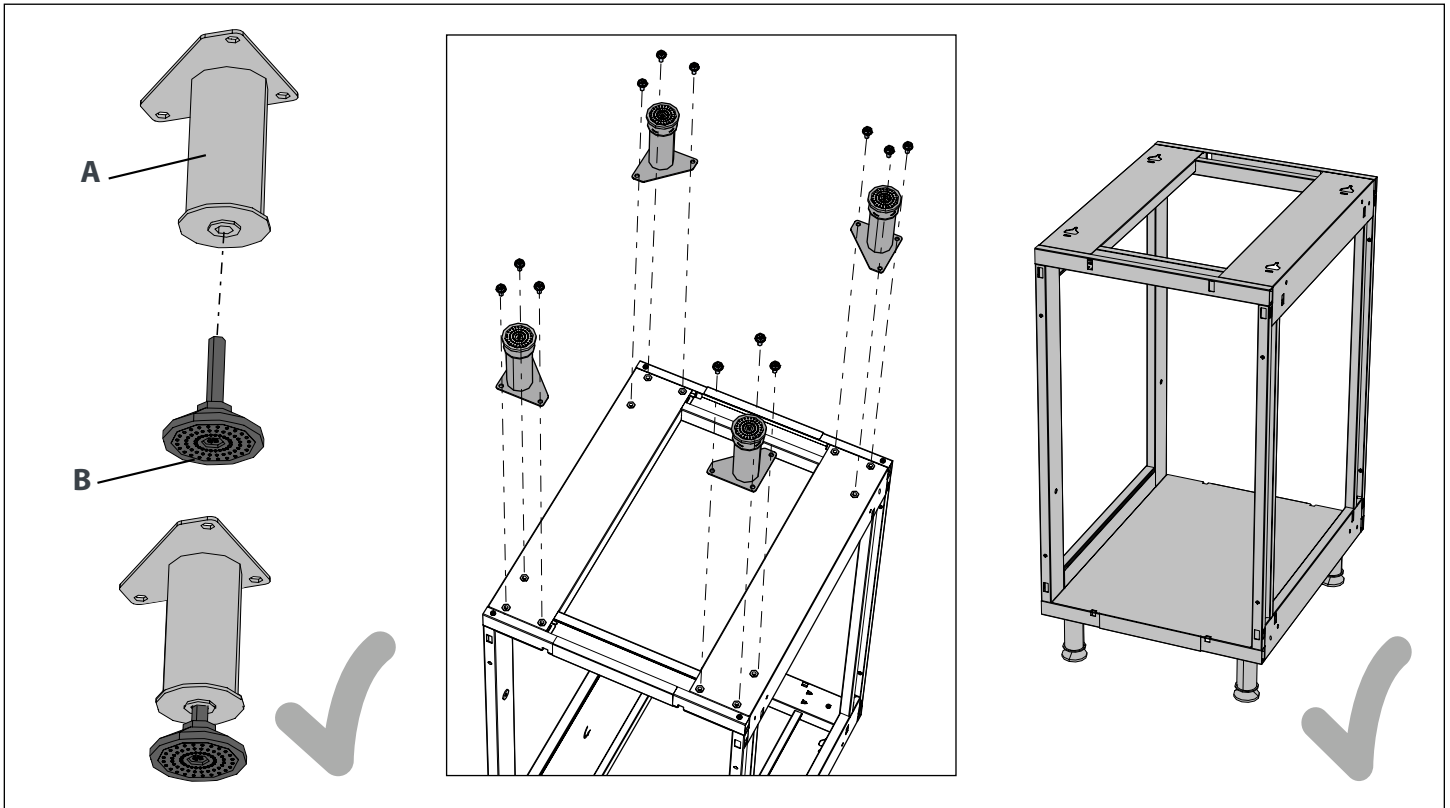
**8** Flip the cabinet frame 180° on a safe and clean surface.



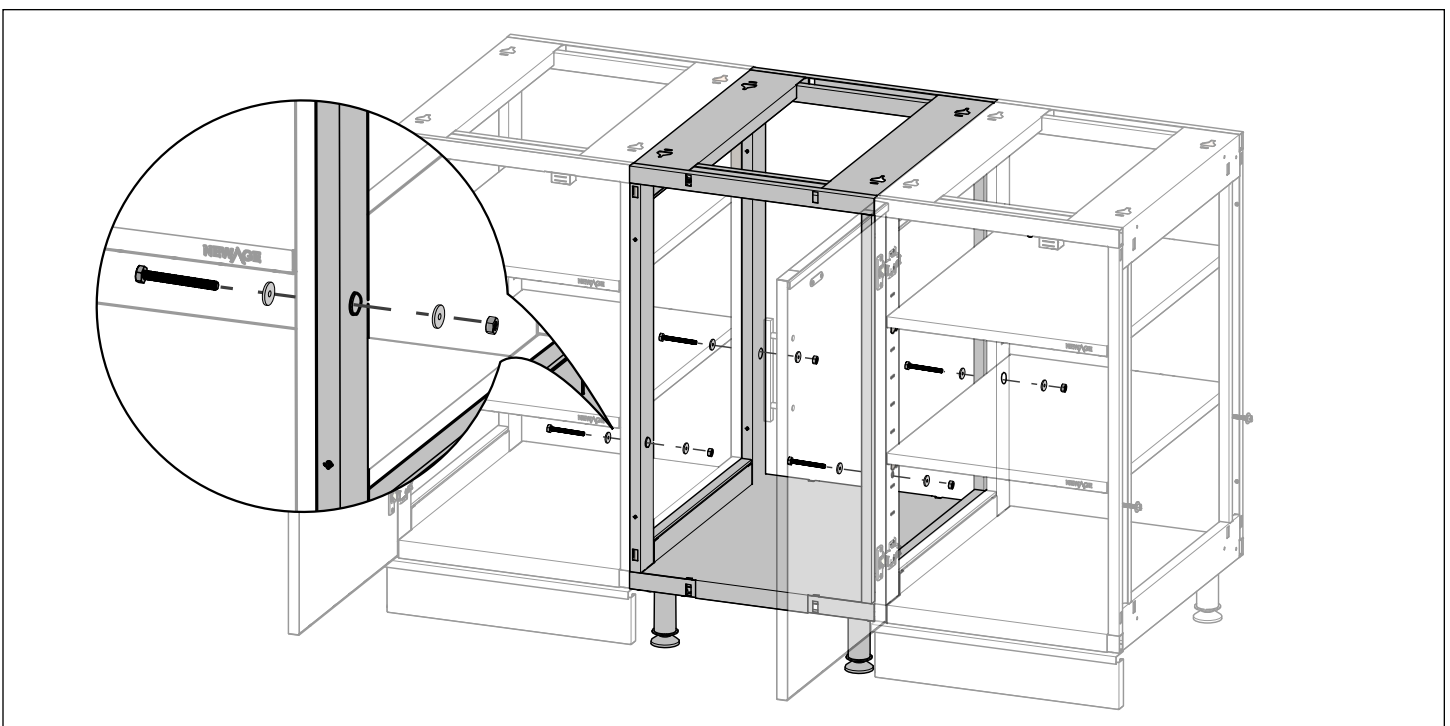


# Assembling the 18" & 36" False Frame

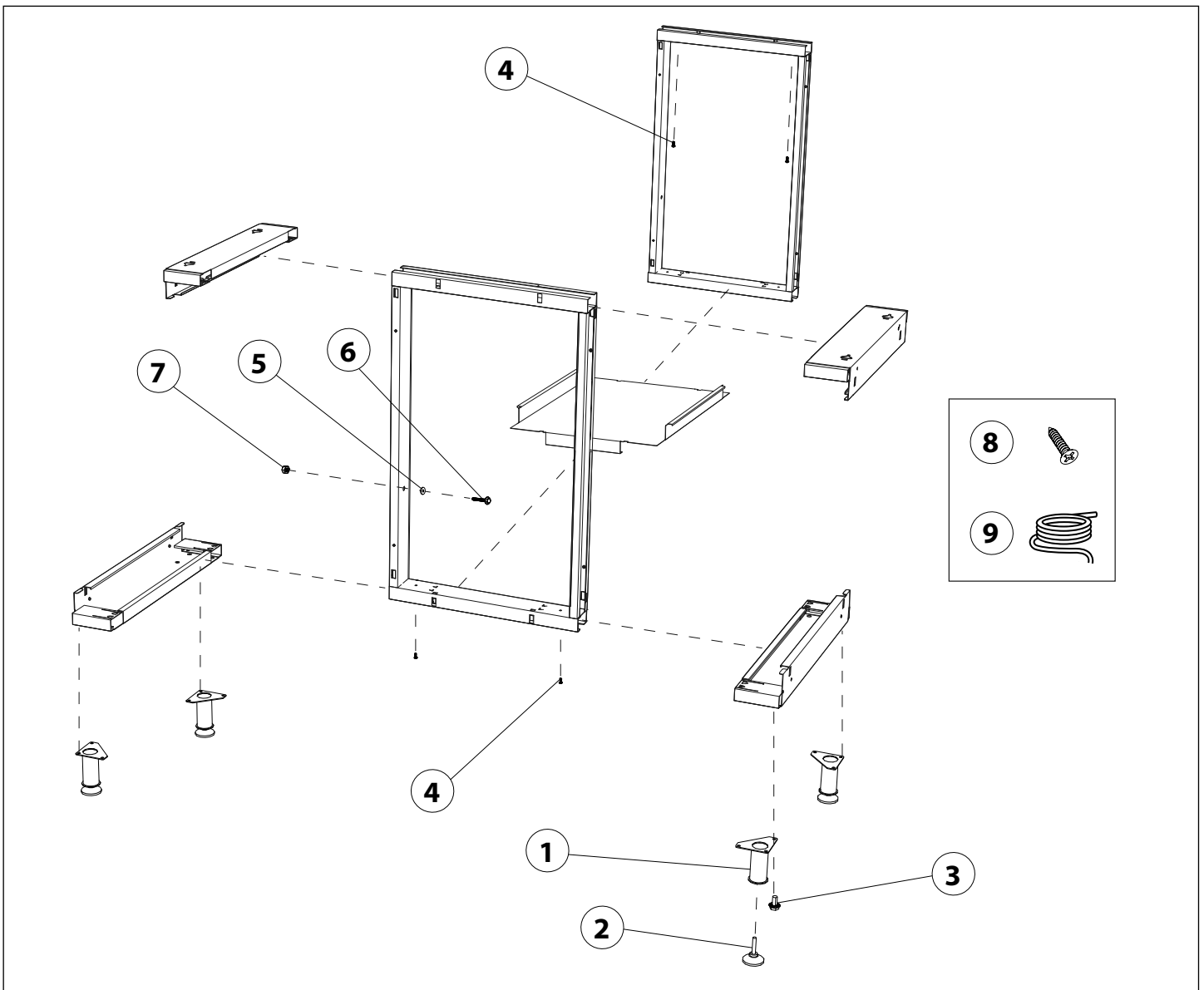
- 9** Tighten the 4x Leveling Leg (A) into 4x leg (B). Install the 4 legs to the bottom of the beams on the frame using 12x Flange hex head screw M6.



- 10** **NOTE:** To fasten the False Frame Cabinets, use the hardware (2x Hex head bolt M6, 2x Hex Nut M6, 4x Flat washer M6) provided. Level Cabinets and tighten all bolts.

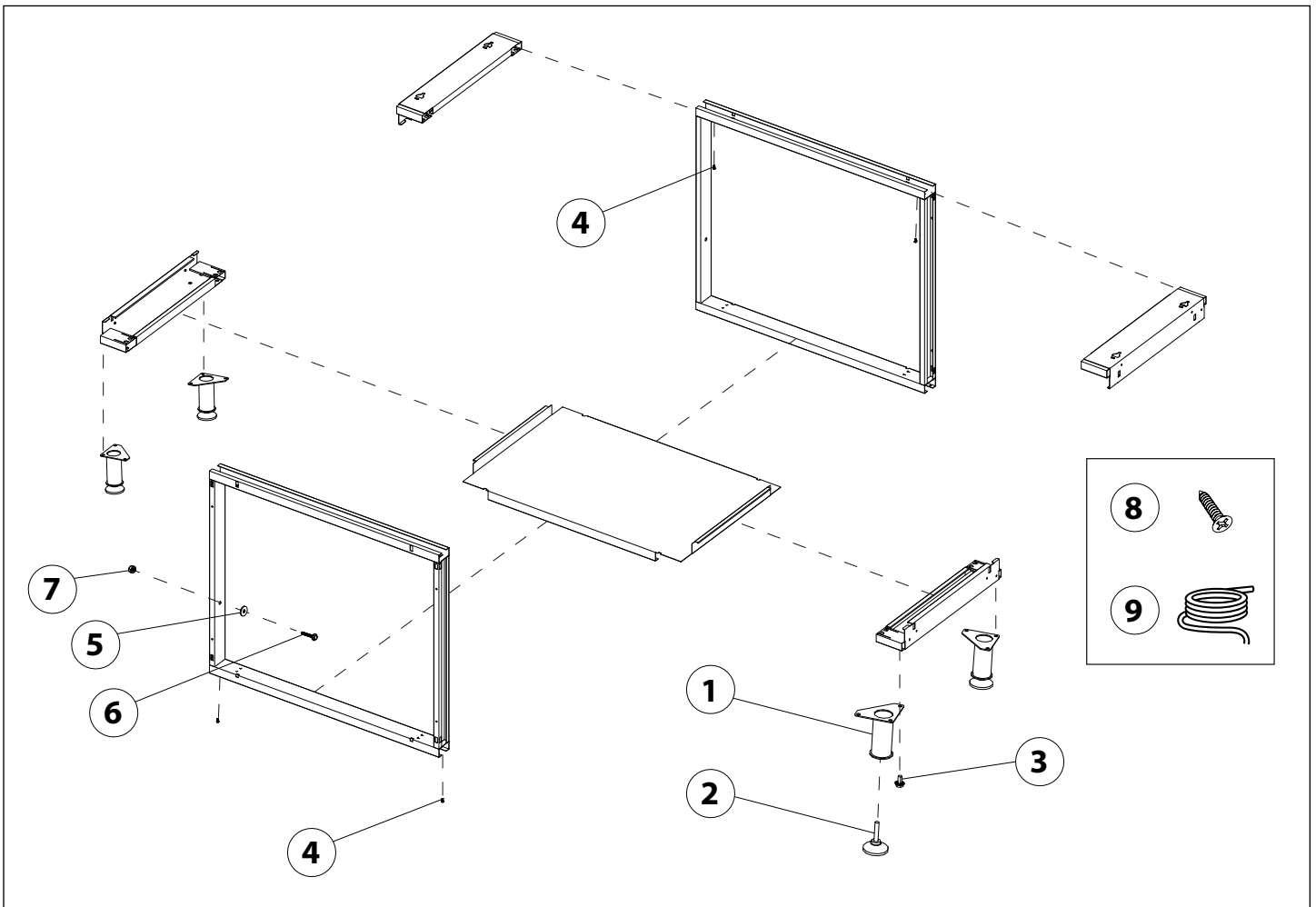


# Spare parts - 18in False Frame Cabinet



18in False Frame Cabinet			
Callout	Engineering Part Number	Description	Qty
1	OK2-01.004.01A-01	Leg	1
2	H00196A-01	Leveling leg M8	1
3	H00532A-01	Flange Hex Head Screw M6X12mm	1
4	H00204A-01	Pan Head Screws M4X10mm	1
5	H00199A-01	Flat Washer M6	1
6	H00198A-01	Hex head bolt M6X50mm	1
7	H00200A-01	Hex Nut M6	1
8	H00633A-01	Flat Head Screw (#10x1.25in) - For Fiber Cement Boards	1
9	OK2-10.006A-01	Rubber Gasket - For Countertop	1

# Spare parts - 36in False Frame Cabinet

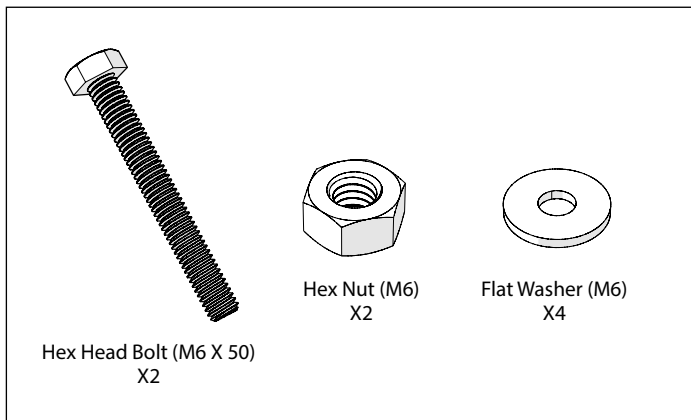


36in False Frame Cabinet			
Callout	Engineering Part Number	Description	Qty
1	OK2-01.004.01A-01	Leg	1
2	H00196A-01	Leveling leg M8	1
3	H00532A-01	Flange Hex Head Screw M6X12	1
4	H00204A-01	Pan Head Screws M4X10mm	1
5	H00199A-01	Flat Washer M6	1
6	H00198A-01	Hex head bolt M6X50mm	1
7	H00200A-01	Hex Nut M6	1
8	H00633A-01	Flat Head Screw (#10x1.25in) - For Fiber Cement Boards	1
9	OK2-10.006A-01	Rubber Gasket - For Countertop	1

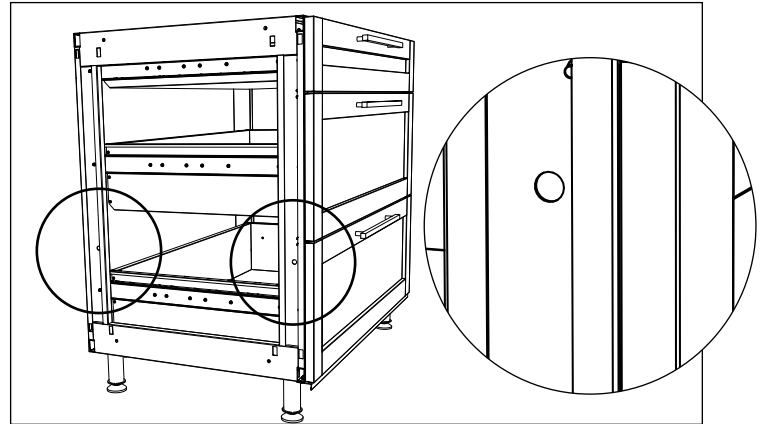
# **CREATING THE CABINET SETS**

# Attaching the cabinets

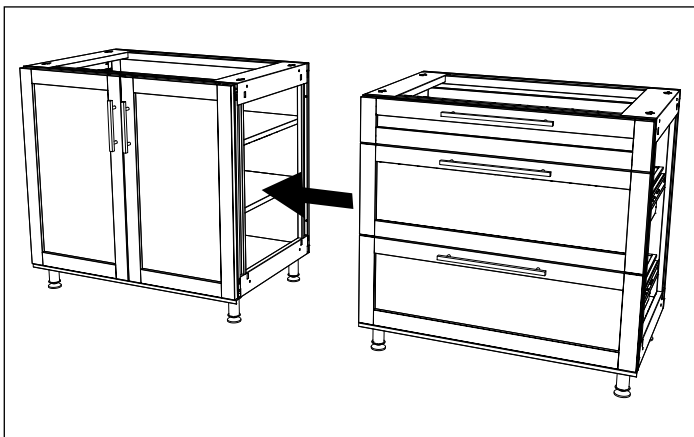
## **i** Parts Needed.



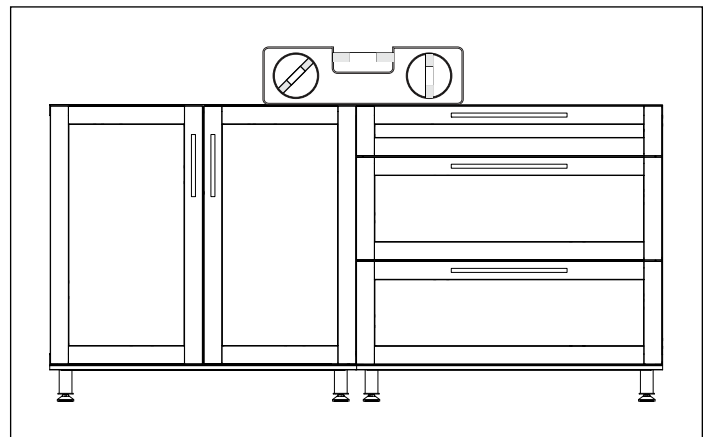
## **1** Identify the two pre-drilled holes on front and rear vertical posts of the cabinets.



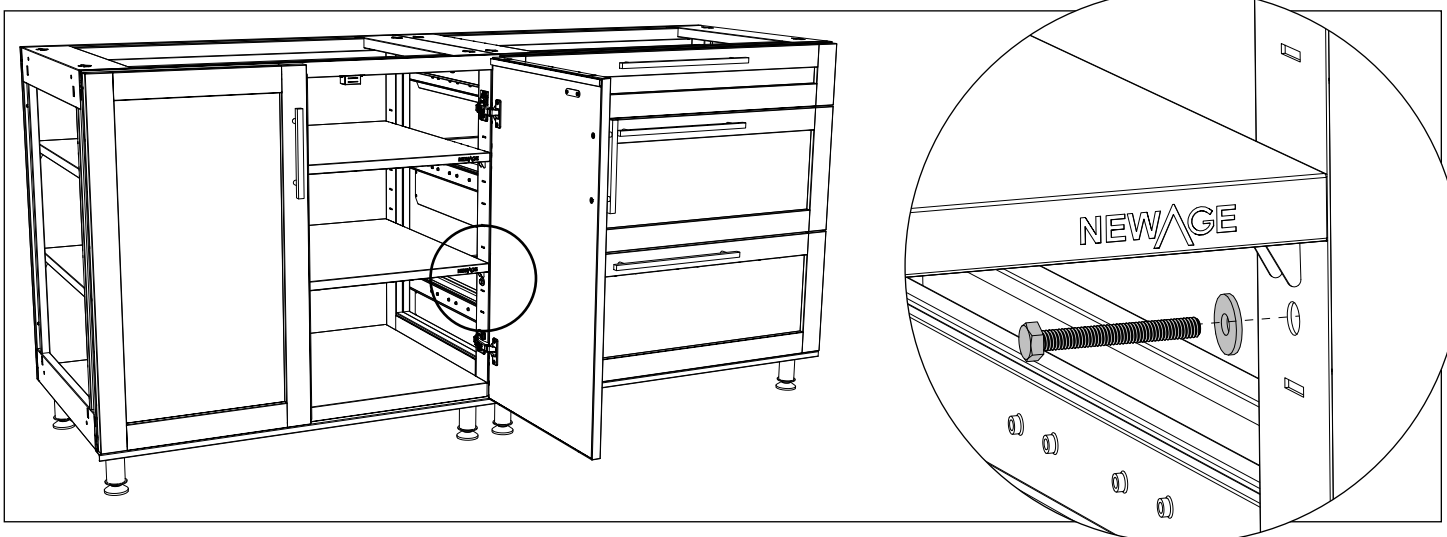
## **2** Move the cabinets together side by side.



## **3** Level the cabinets. Adjust the legs if needed.



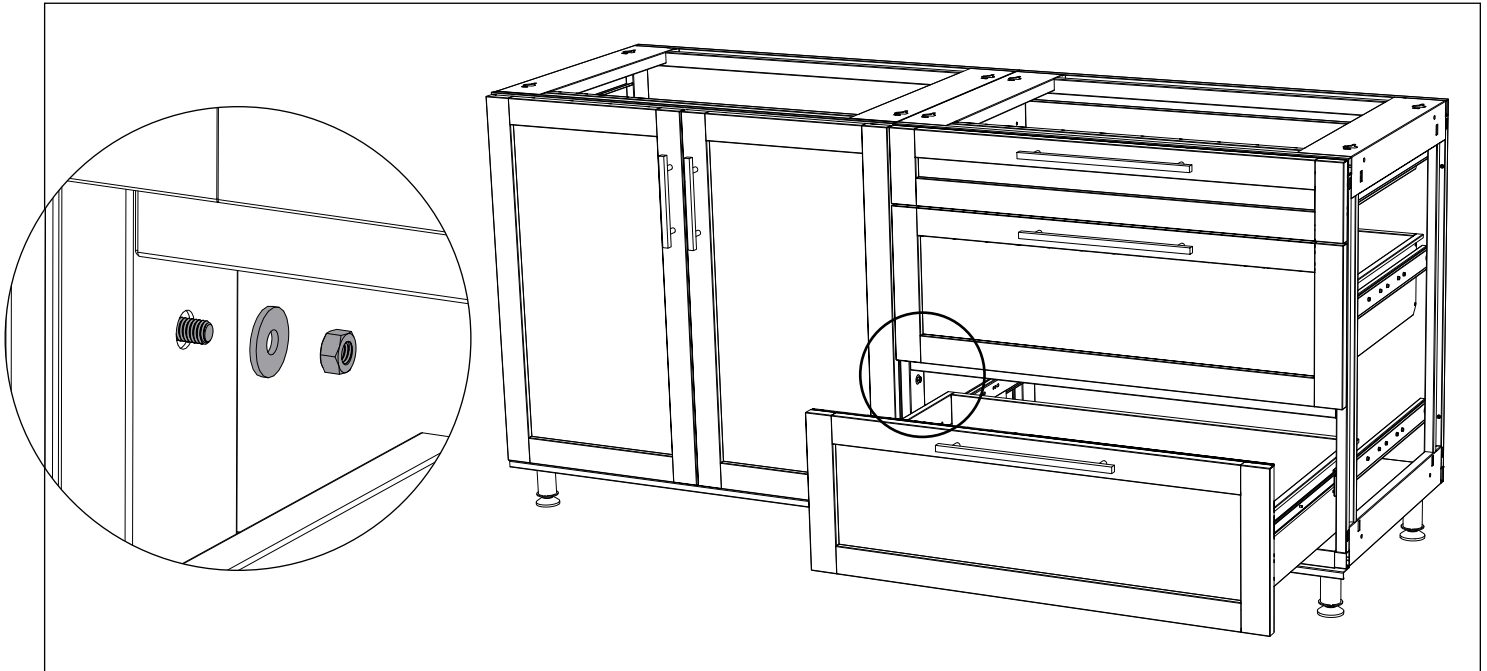
## **4** Open the door/drawer of one cabinet, identify the aligned holes and insert M6x50mm hex head bolt and M6 flat washer.



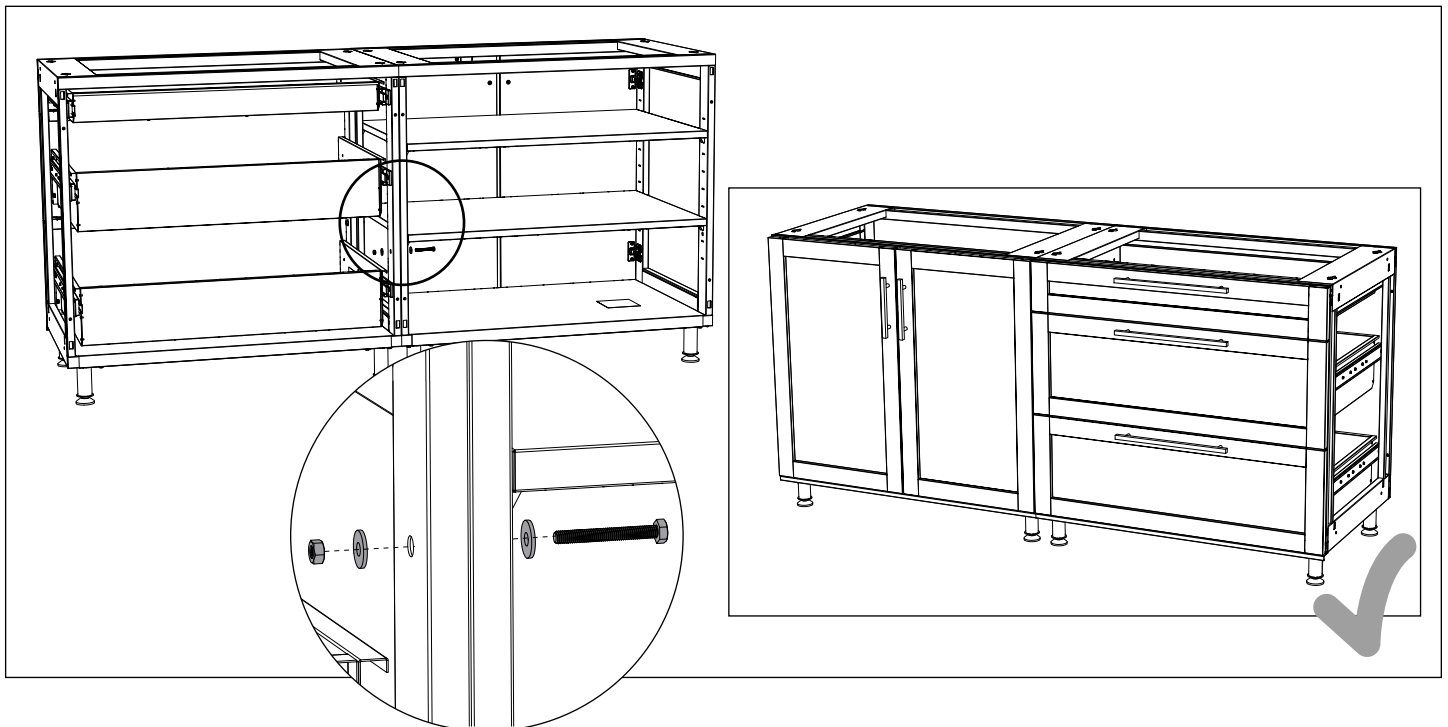
**i** NOTE : For connecting the cabinets, the drawers can be removed to create better access for the connecting bolts and nuts.

# Attaching the cabinets

- 5** Open door/drawer of the adjacent cabinet, insert a M6 flat washer and tighten M6 hex nut.

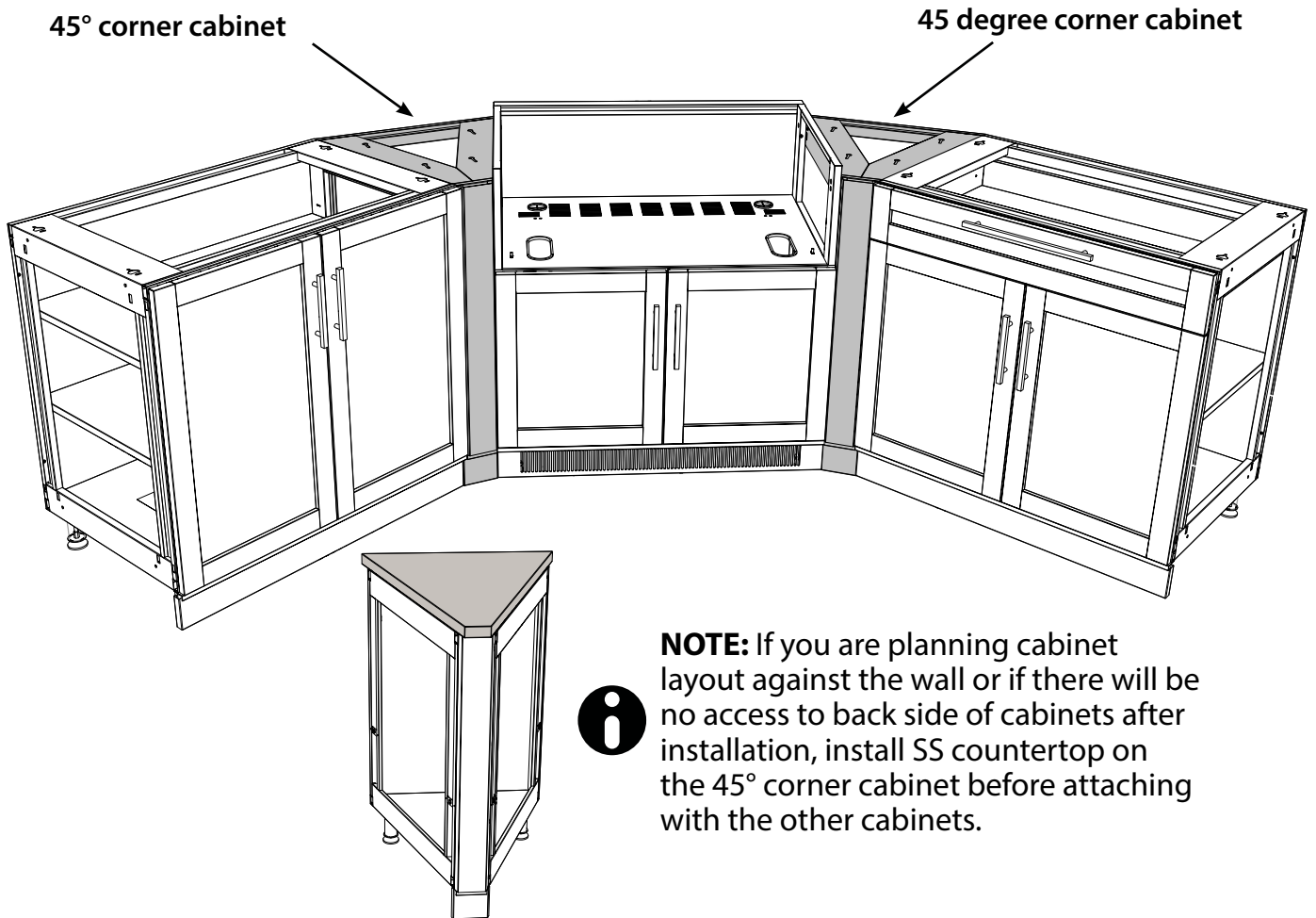


- 6** Similarly, identify hole on the rear vertical post of the cabinets. Insert M6x50mm screw, one M6 flat washer on both sides each and tighten M6 hex nut.



**Note:** If you don't have access to the rear holes, remove the drawers for the access.

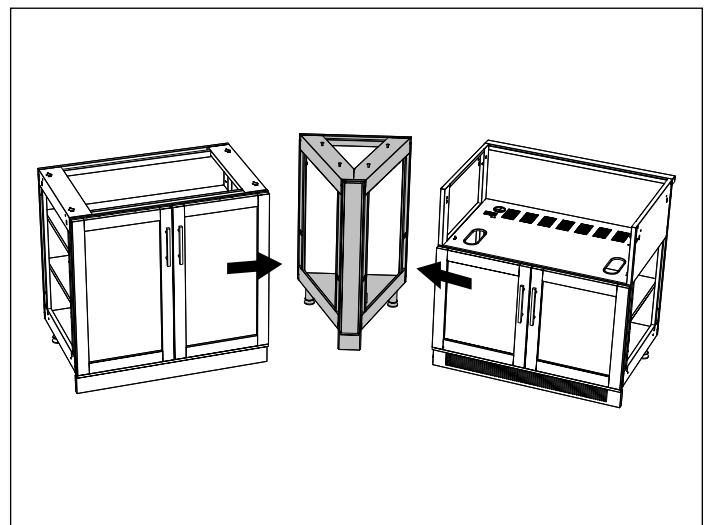
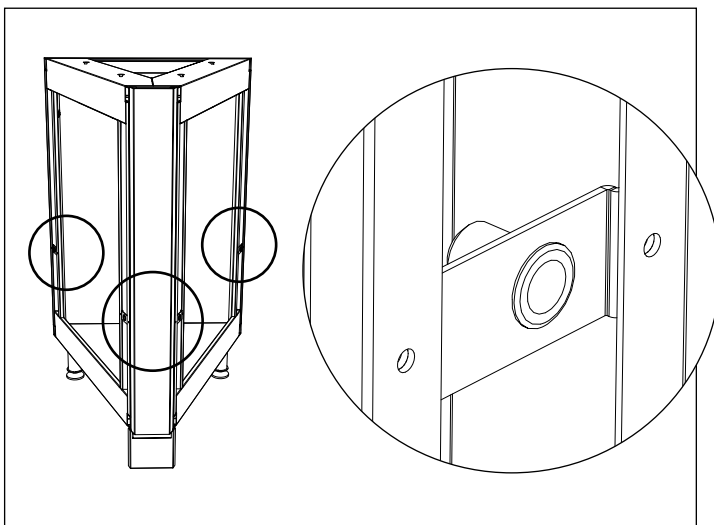
# Creating 45° corner



**1** Identify holes on vertical posts of the corner cabinet.

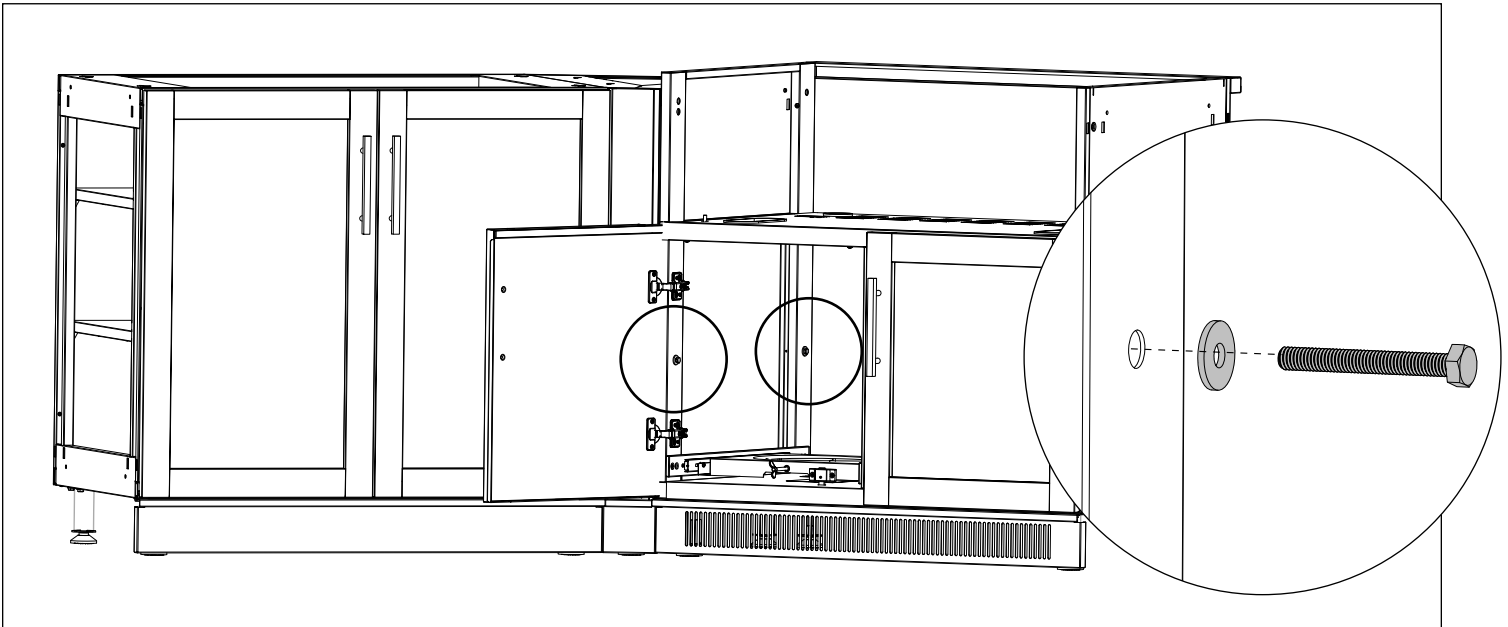
**i** **NOTE:** since there are embedded insert nuts on the 45° corner cabinet, there is no need to use regular nuts on the bolts.

**2** Attach the cabinets together.

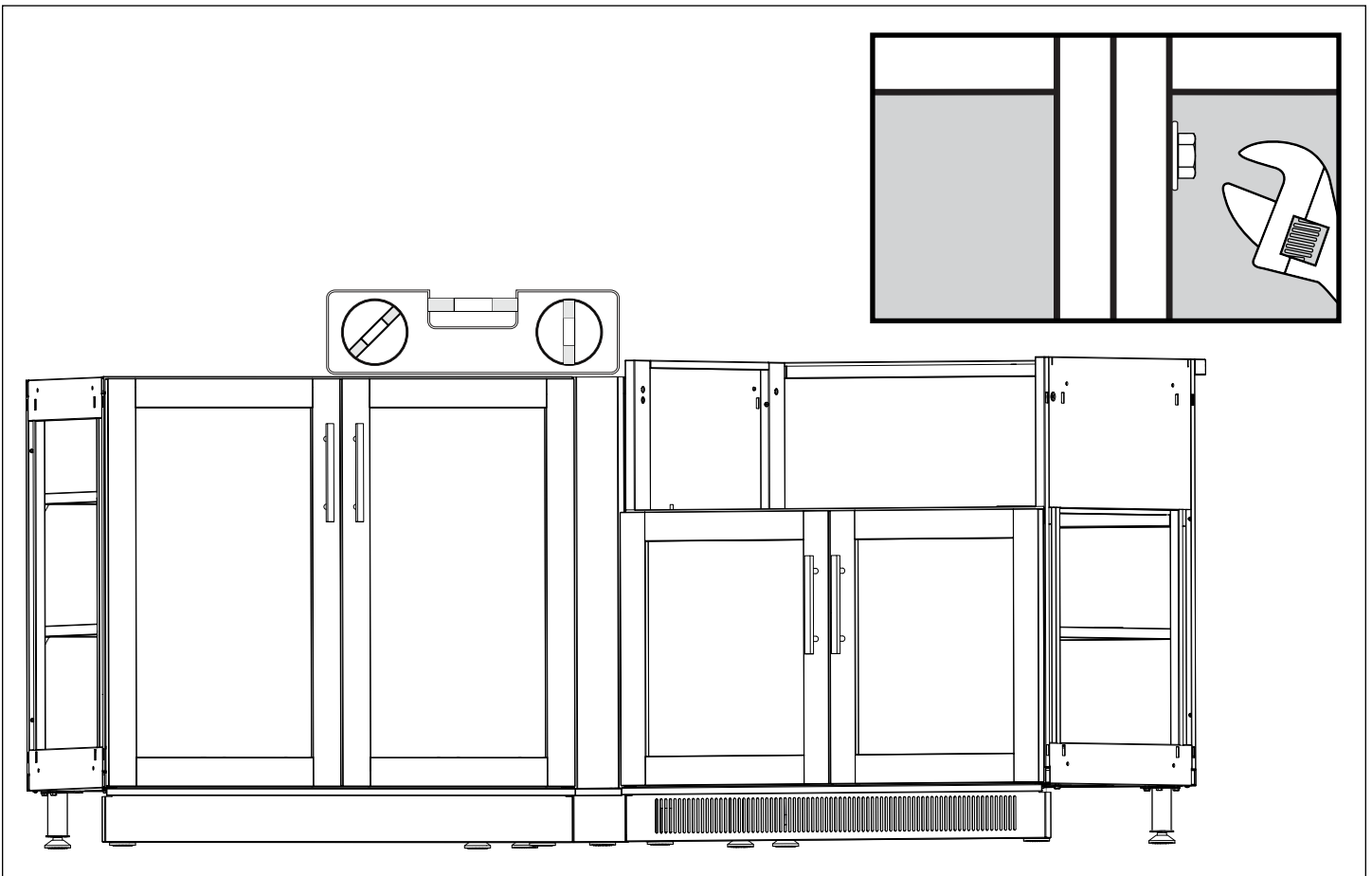


# Creating 45° corner

- 3** Loosely install M6x50mm hex head bolt and M6 flat washer into all the holes on vertical posts. Open the doors on both cabinets to access the holes.



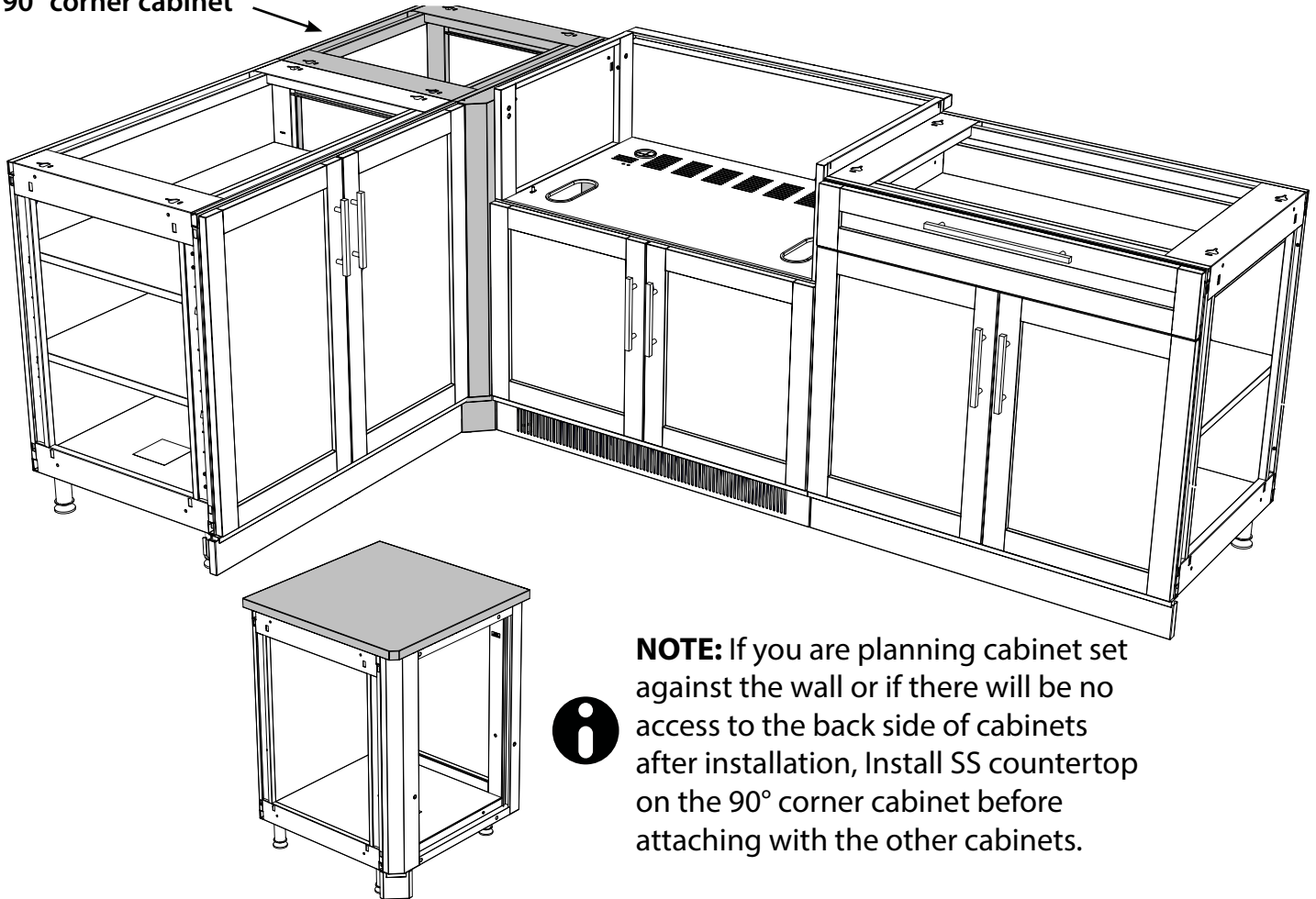
- 4** Level the cabinets and tighten all the bolts.





# Creating 90° corner

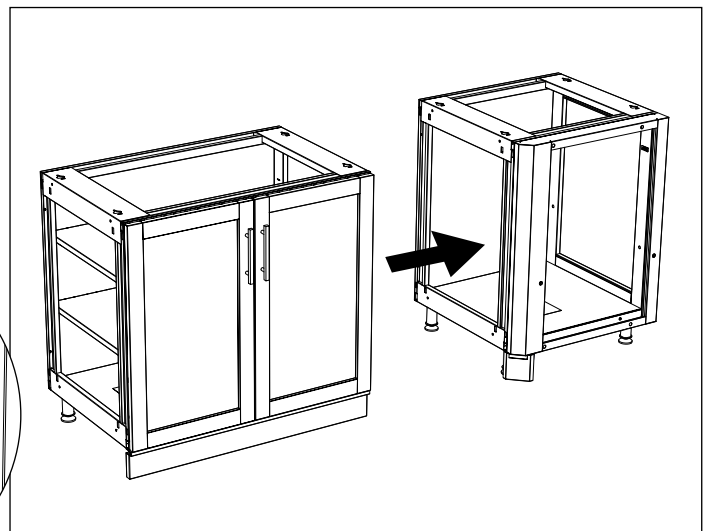
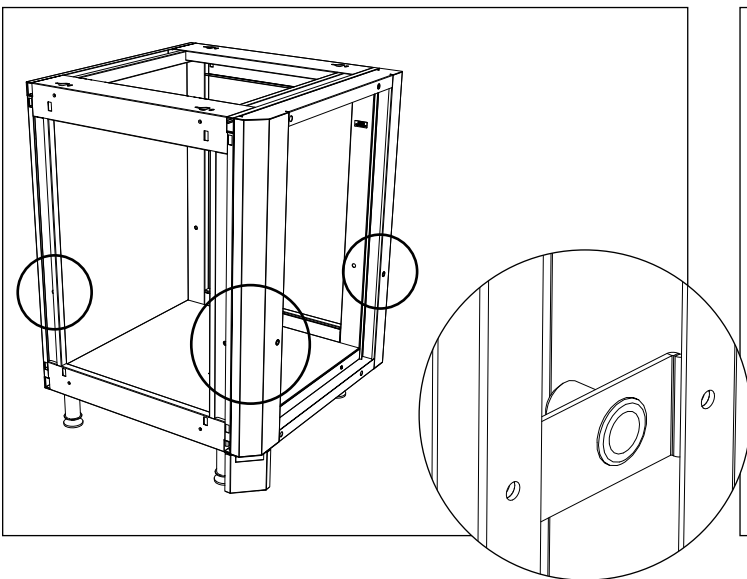
90° corner cabinet



**1** Identify holes on vertical posts of the corner cabinet.

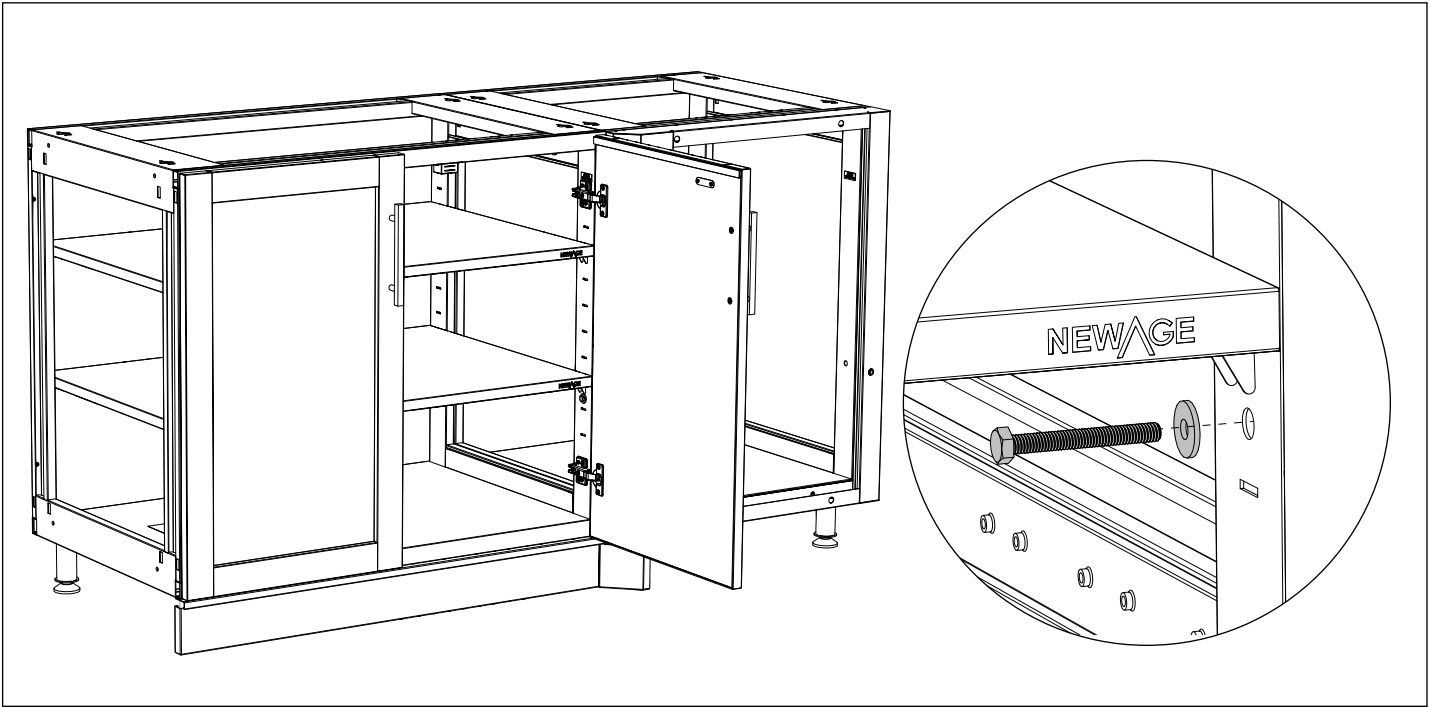
**i** **NOTE:** Since there are embedded insert nuts on the right side of the 90° corner cabinet, there is no need to use regular nuts on the bolts.

**2** Attach the cabinet first to the left face of corner cabinet.

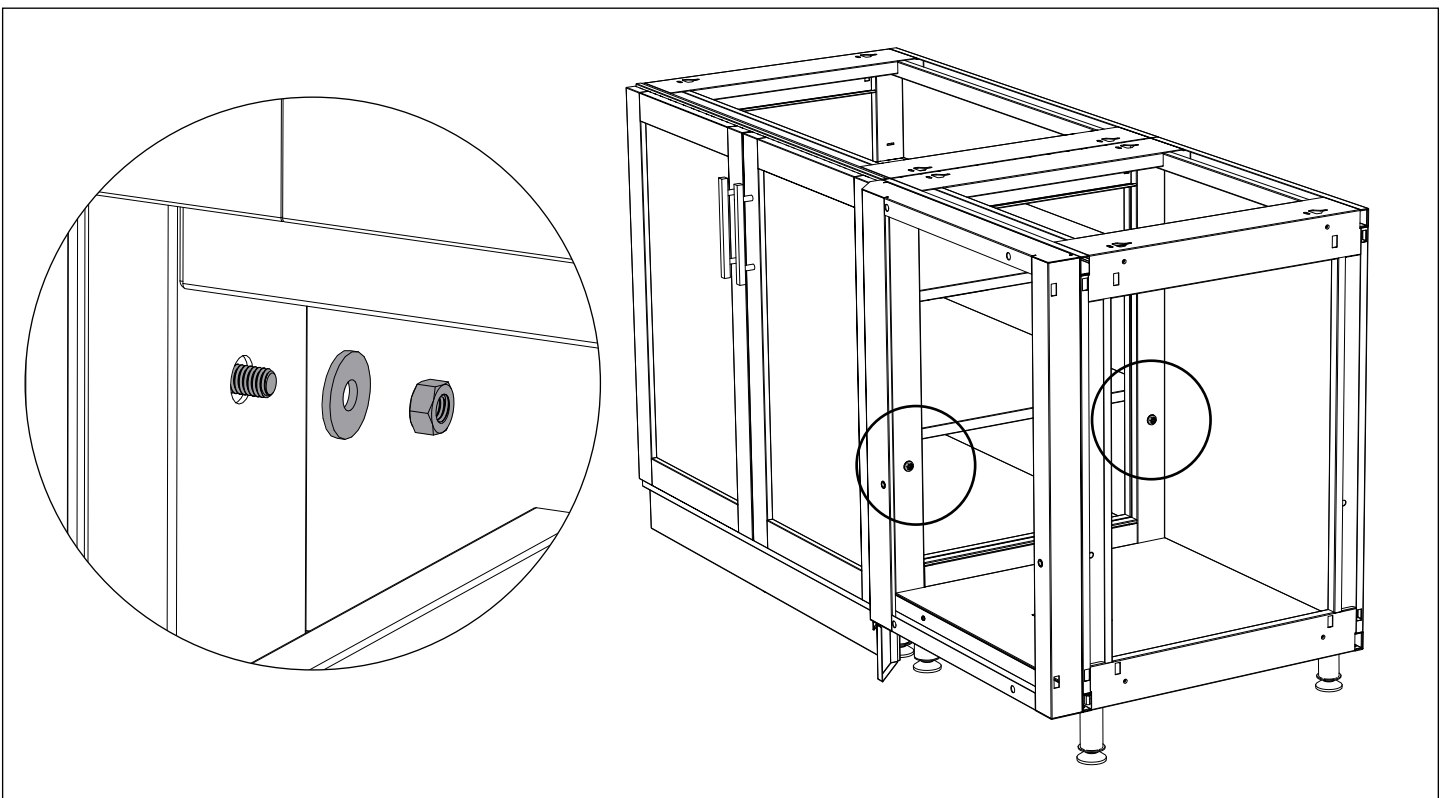


# Creating 90° corner

- 3** Open the door/drawer of the cabinet, identify the aligned holes and insert M6x50mm hex head bolt and M6 flat washer.

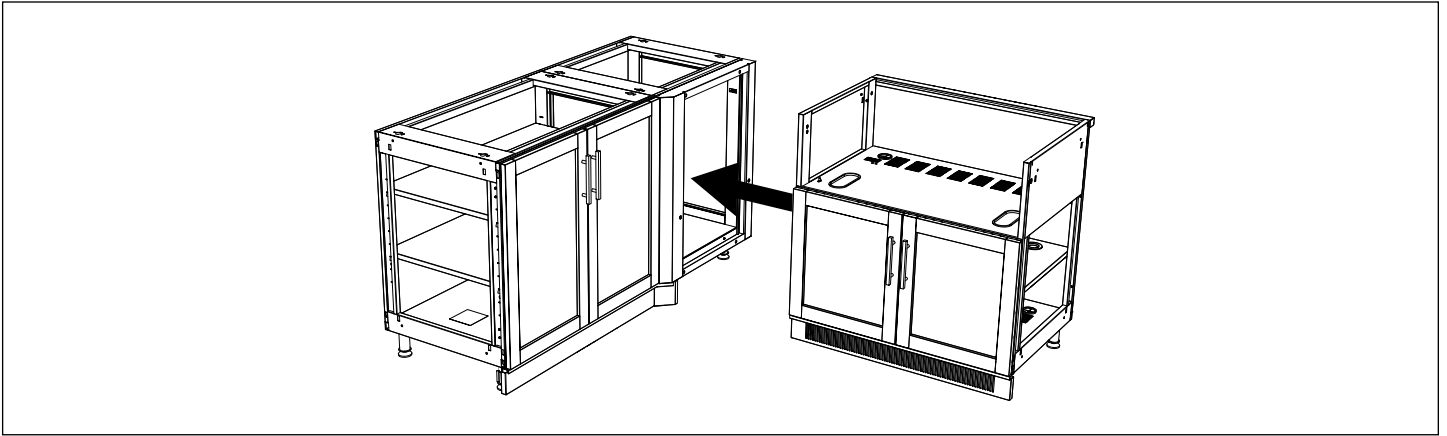


- 4** Insert a M6 flat washer and tighten M6 hex nut.

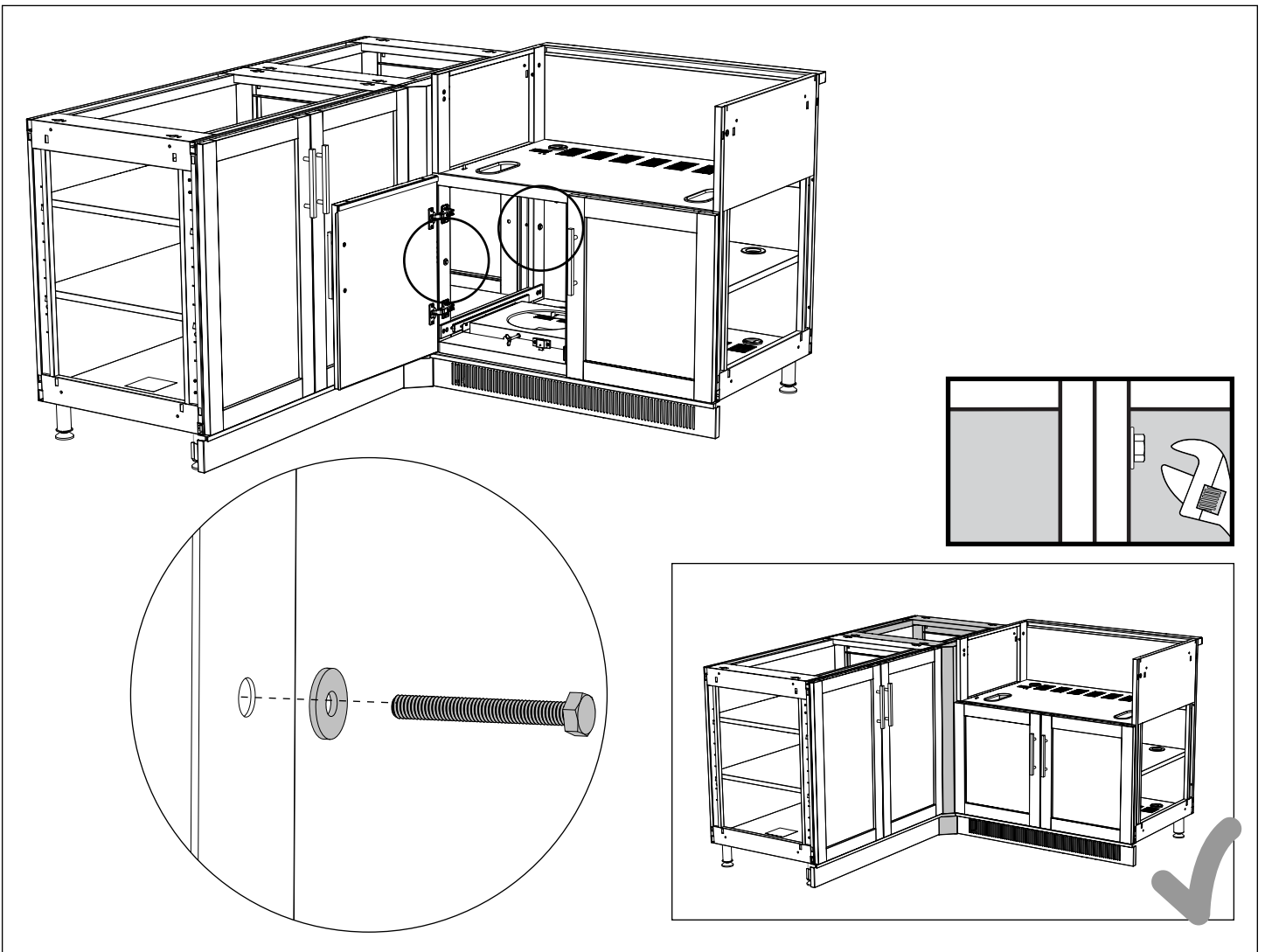


# Creating 90° corner

- 5** Attach the other cabinet to the right face of the corner cabinet.



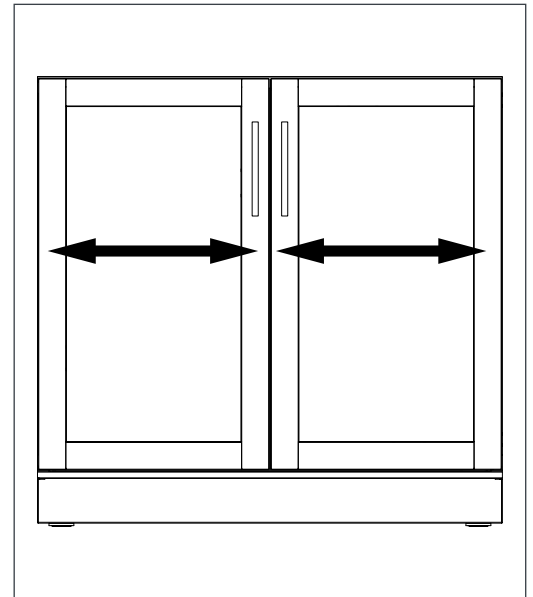
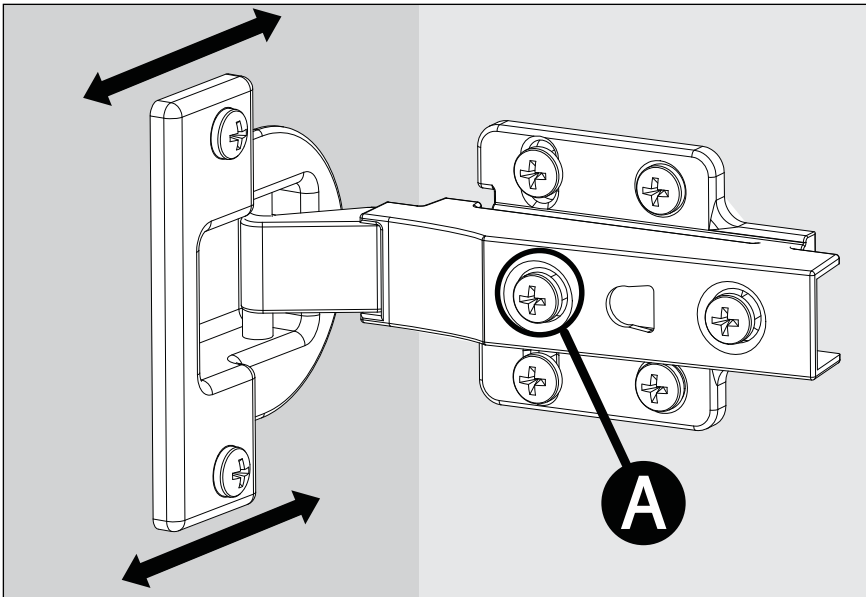
- 6** Install M6x50mm hex head bolt and M6 flat washer into all the holes on vertical posts. Open the doors of the cabinet to access the holes.



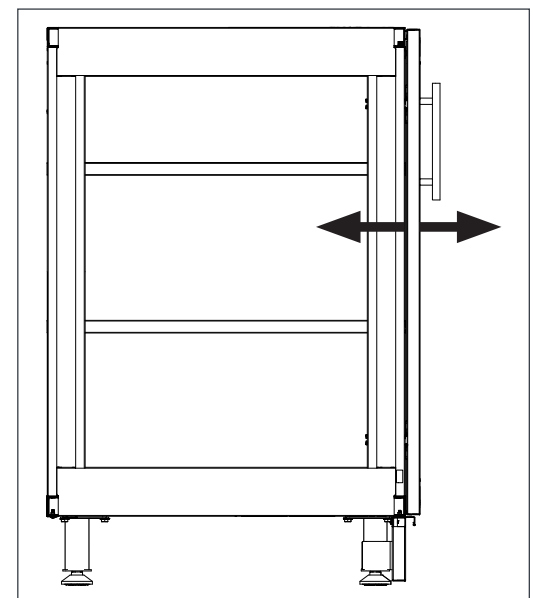
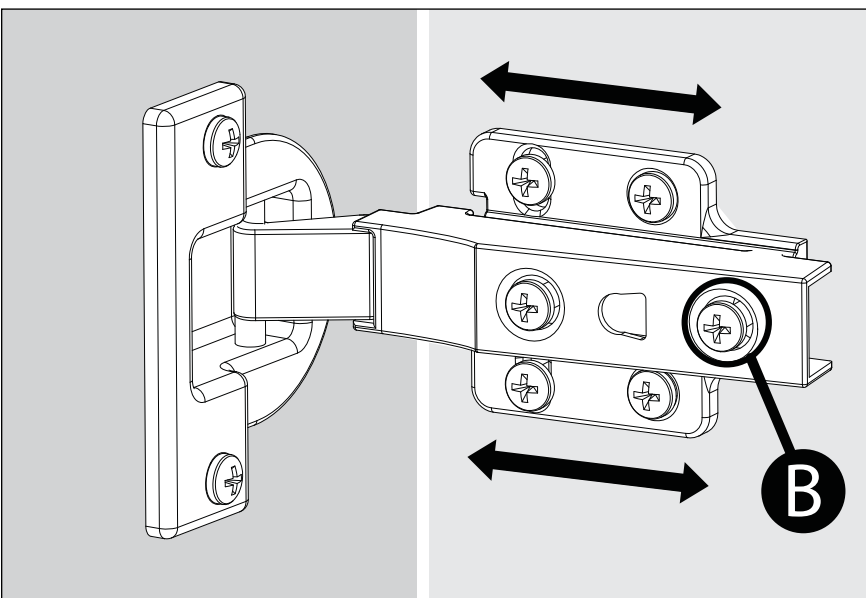
# Adjusting The Door Hinges

**i** **NOTE** : Using a Philips screwdriver, the doors can be adjusted:  
Left, right, forwards and backwards.

**1** To adjust the doors left or right, turn the screw (A) clockwise or counterclockwise.

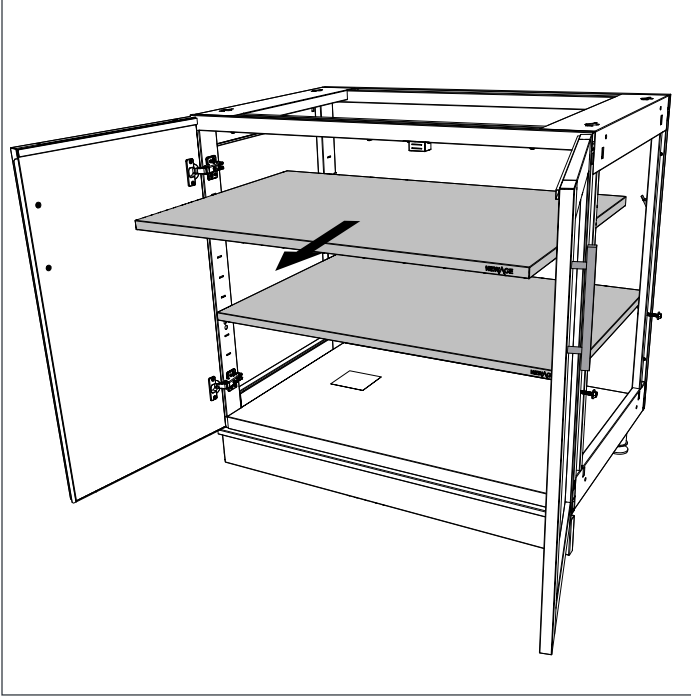


**2** To adjust the gap between the doors and frame, turn the screw (B) clockwise or counterclockwise.

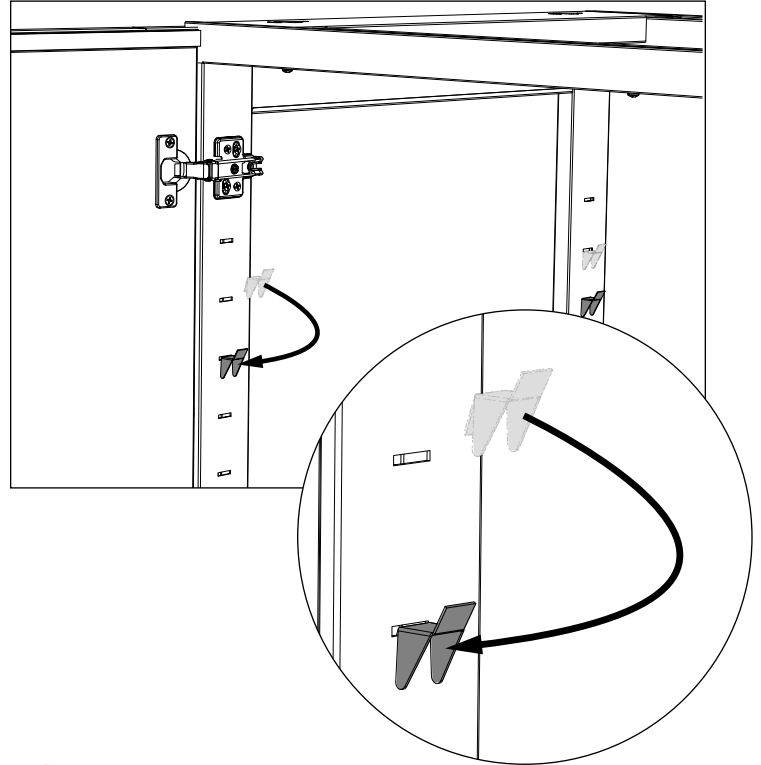


# Adjusting The Shelves

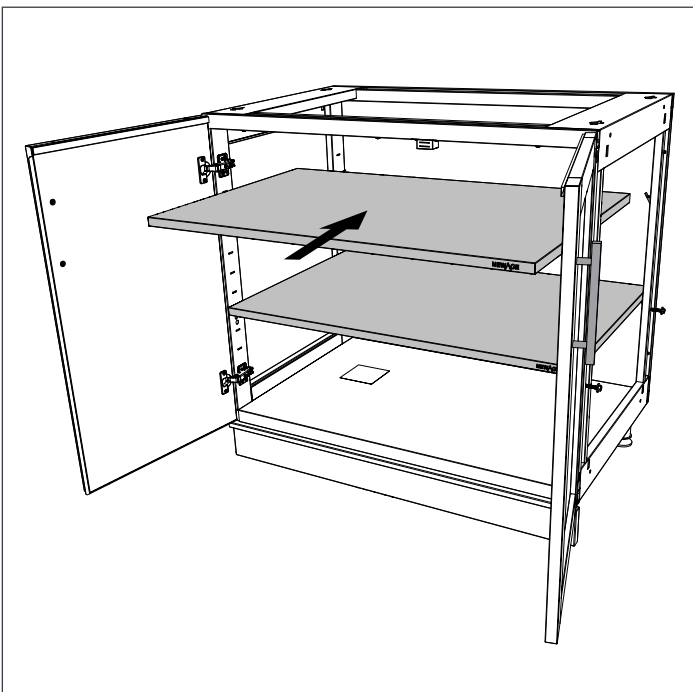
- 1** Lift up and remove the shelf to be adjusted.



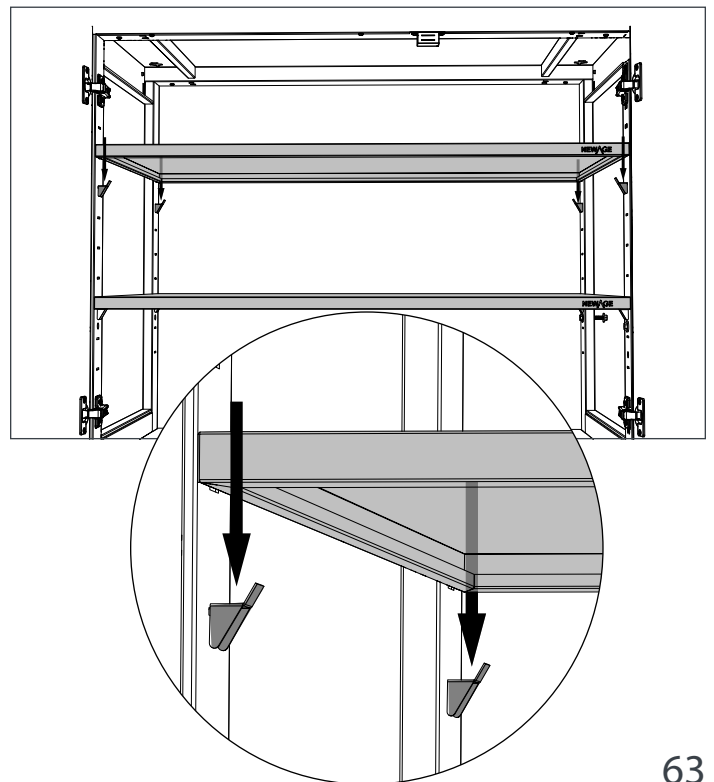
- 2** Remove the shelf clips from the slots and fix them on the other slots of desired height.



- 3** Insert the shelf.

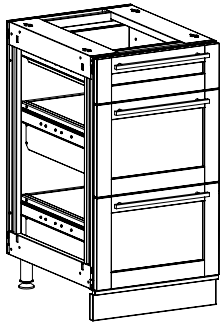


- 4** Place the shelf on shelf clips.

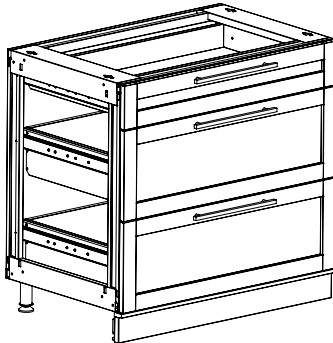


# Installing the Anti-tipping Bracket

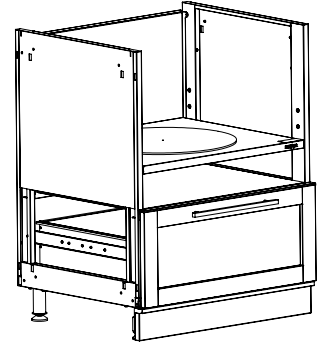
**i** The following instructions apply to the cabinets below.



18" 3-Door Cabinet

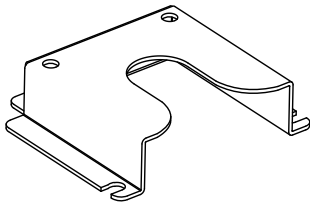


36" 3-Door Cabinet



28" Kamado Cabinet

## **i** Parts Needed



Anti-tipping Brackets  
X 2

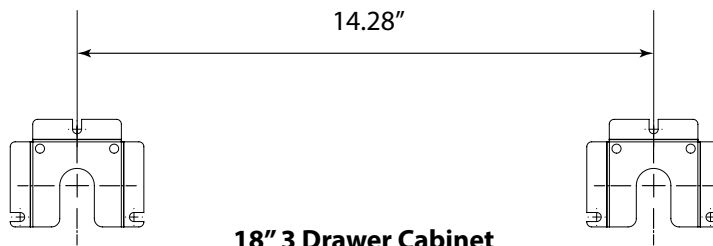


Wood Screws  
X 6



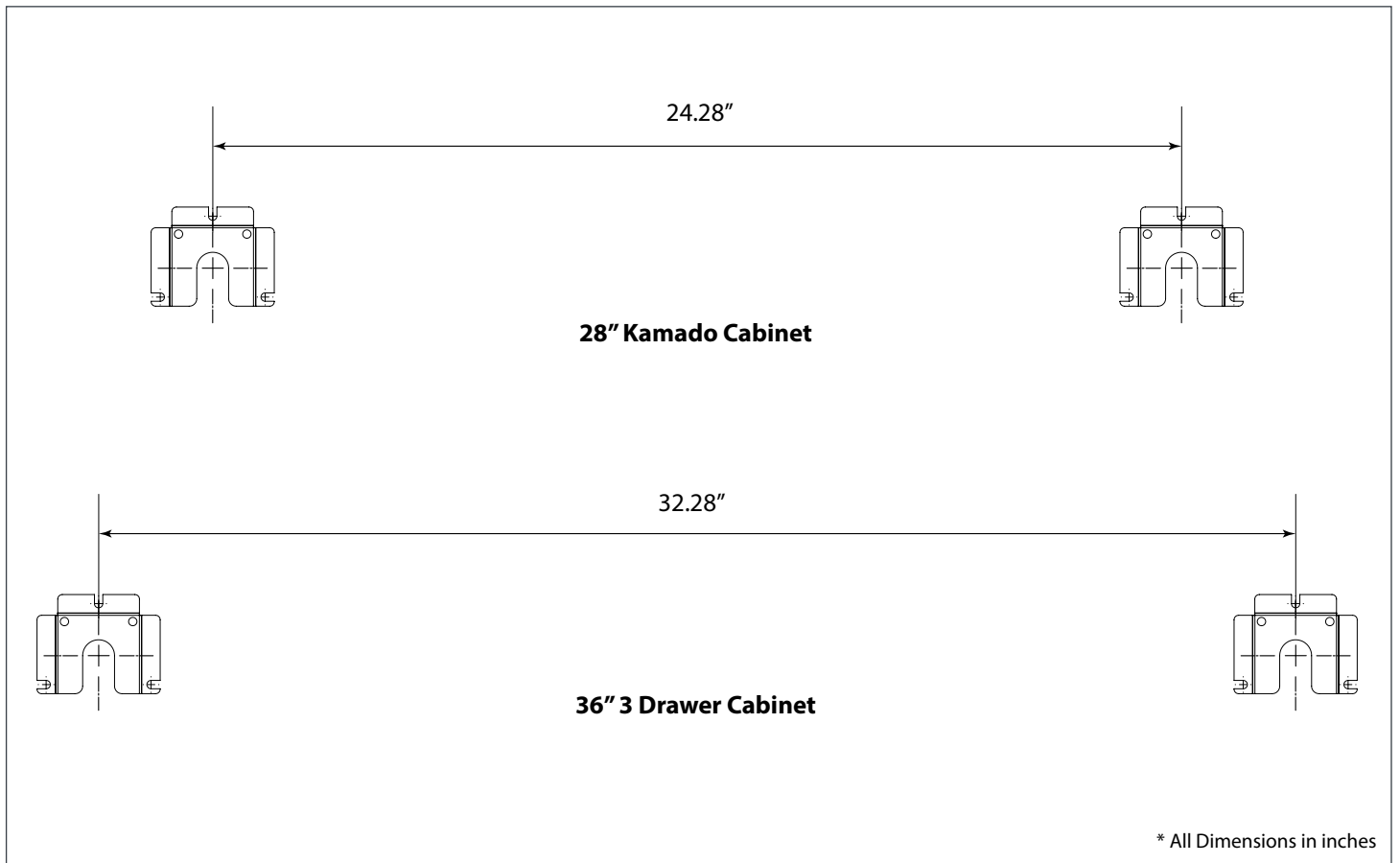
M5X40 Tapcon Screws  
X 6

**i** **NOTE** : The following diagrams show the center distance between the two Anti-tipping brackets for the respective cabinets.

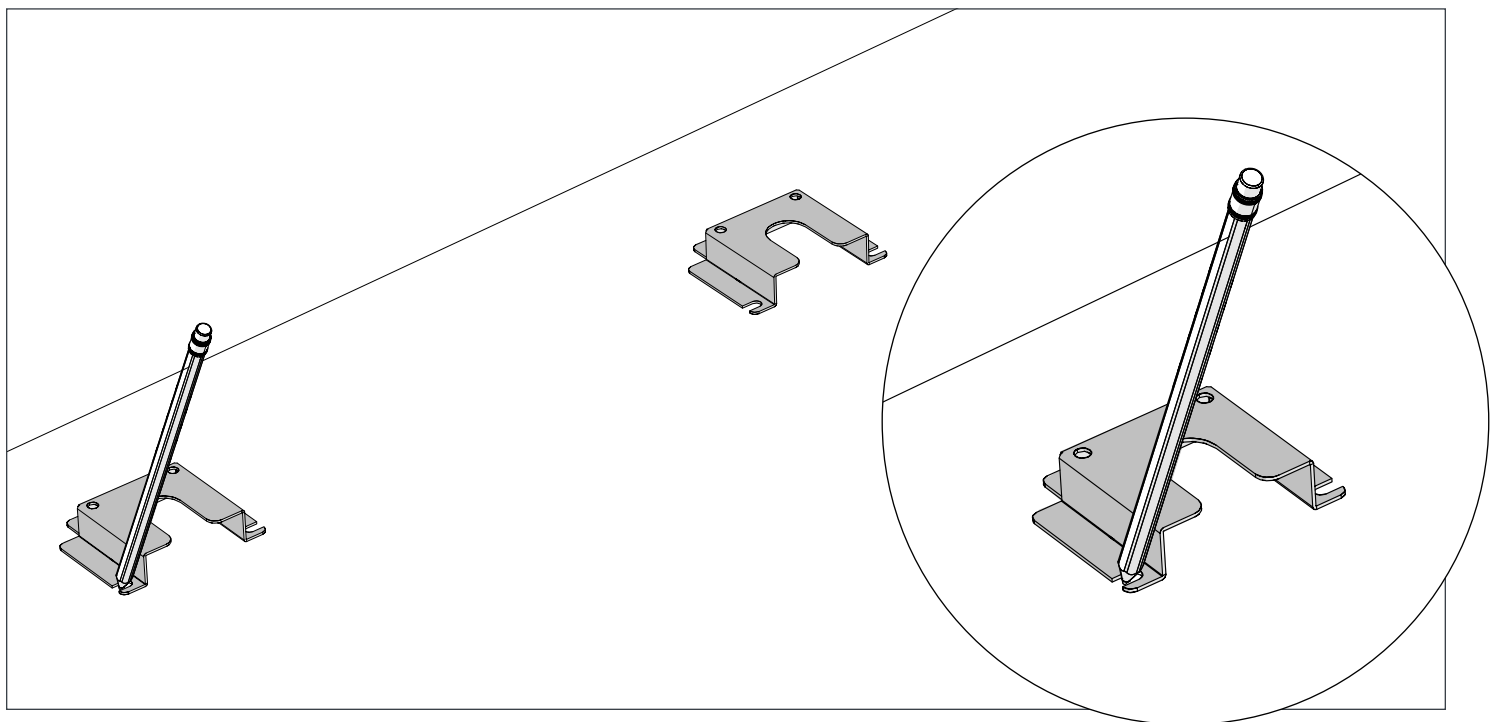


\* All Dimensions in inches

# Installing the Anti-tipping Bracket

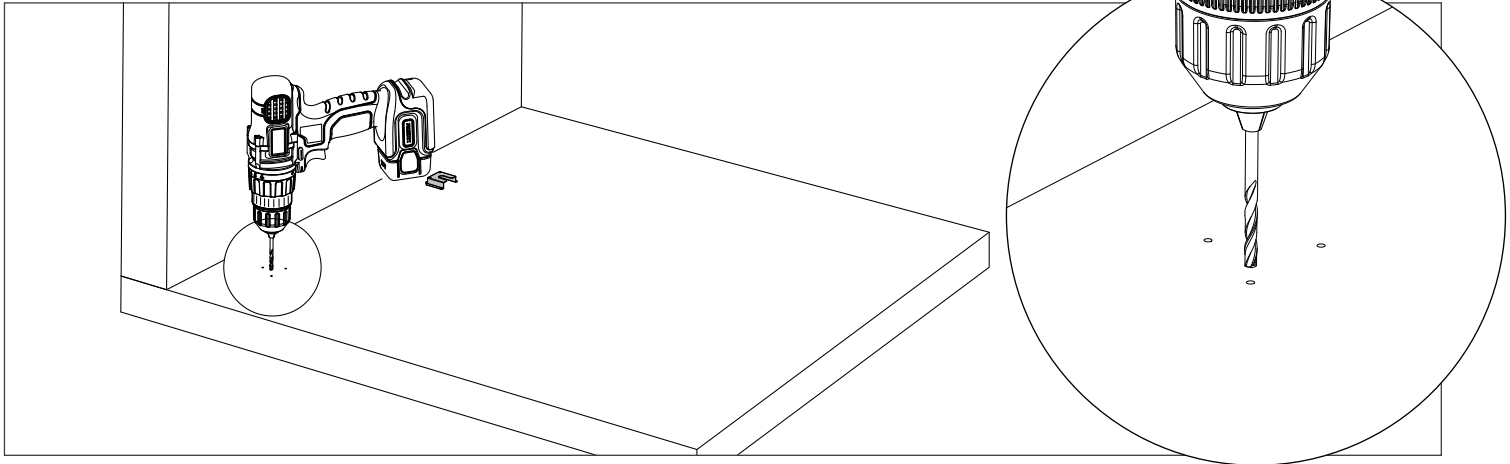


- 1 Place the two Anti-tipping brackets on the floor and mark the three holes to be drilled with a pencil for each bracket. (Refer to the shown diagrams in the previous NOTE.)

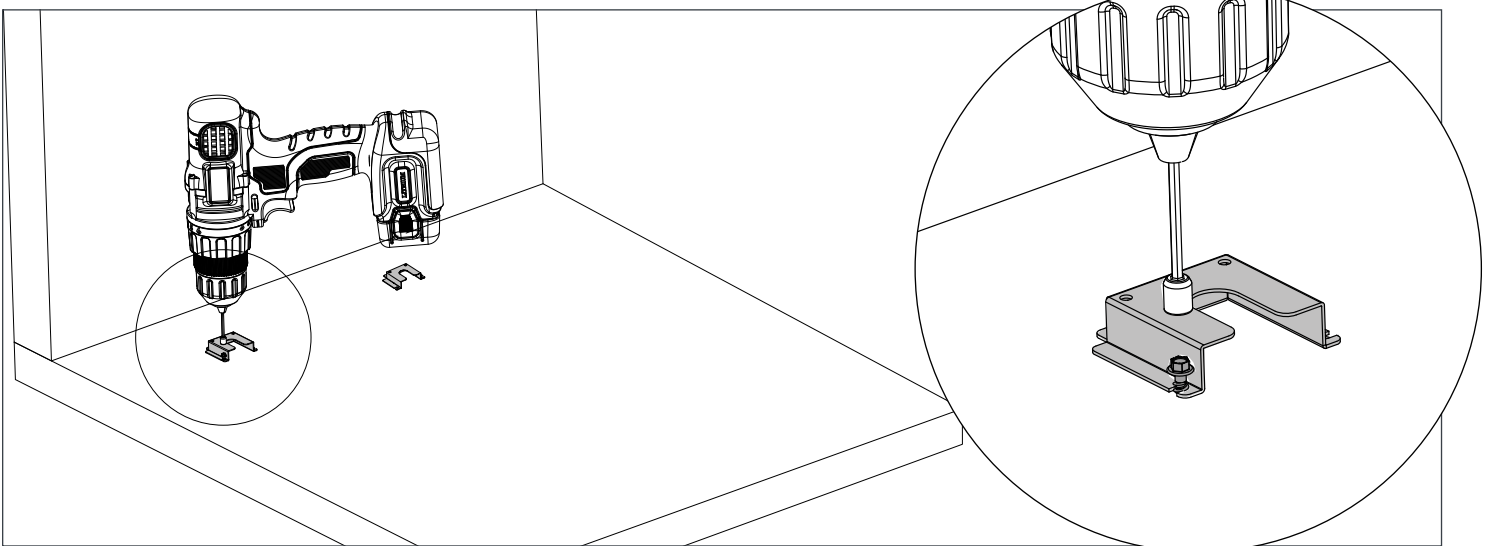


# Installing the Anti-tipping Bracket

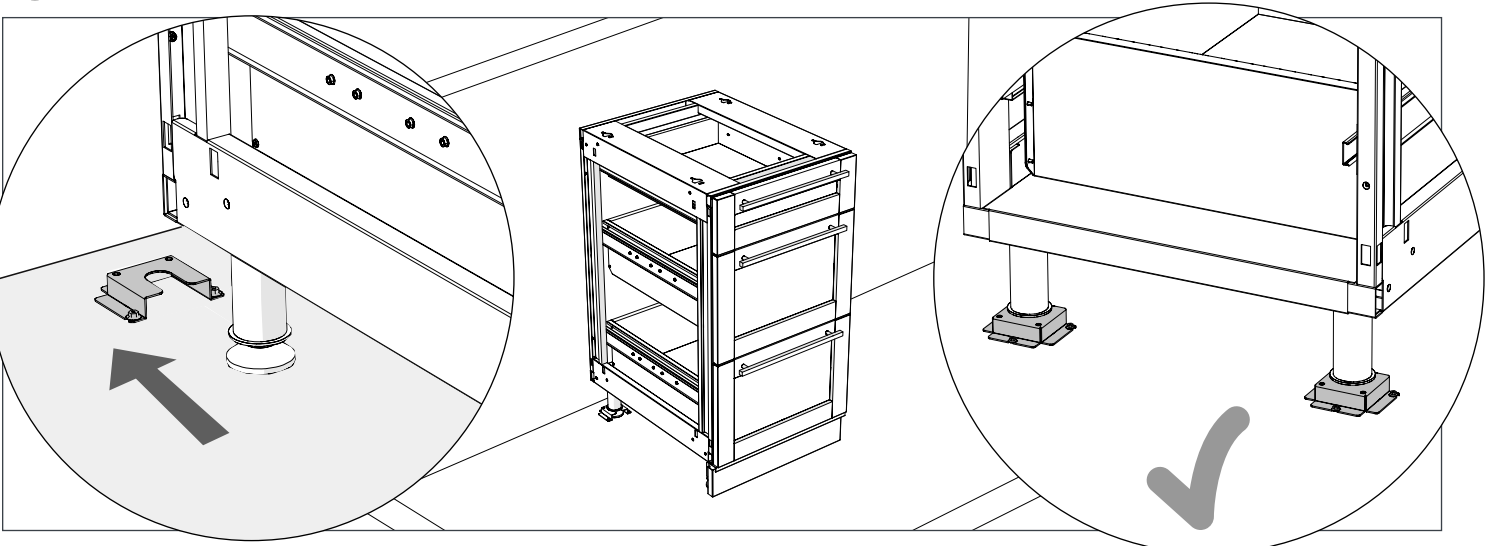
- 2** Drill the floor in marked position with a recommended drill size of 5/32" for the appropriate substrate.



- 3** Fasten the Anti-tipping brackets with 3 Tapcons (concrete) or 3 Wood screws (wood) depending on the floor substrate.



- 4** Move the cabinet and guide the legs through the brackets to secure the cabinet.



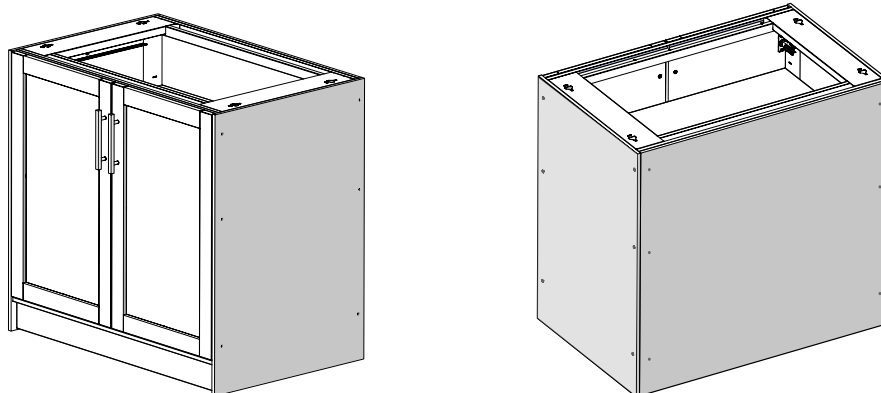


# **INSTALLING THE FIBER CEMENT PANELS**

# Fiber Cement Panel Overview



Fiber cement panels are mounted onto the open sides of cabinet frames. The purpose of the panels are for mounting stacked stones/ tiles on these panels.



These Fiber cement panels are offered in four sizes - 18", 28", 36" and 40". Cut the panels to required sizes before installation.

	DESCRIPTION	WIDTH(IN)	DEPTH(IN)	HEIGHT(IN)
1	18" FIBER CEMENT PANEL (Pack of 2)	18	0.5	34.7
2	36" FIBER CEMENT PANEL (Pack of 2)	36	0.5	34.7
3	28" FIBER CEMENT PANEL (Pack of 2)	28	0.5	34.7
4	40" FIBER CEMENT PANEL (Pack of 2)	40	0.5	34.7



Below is the list of required measurements to cut panels for installing on sides, front and back of the cabinets as per your requirement. Please be sure to verify the size before you cut the panels.

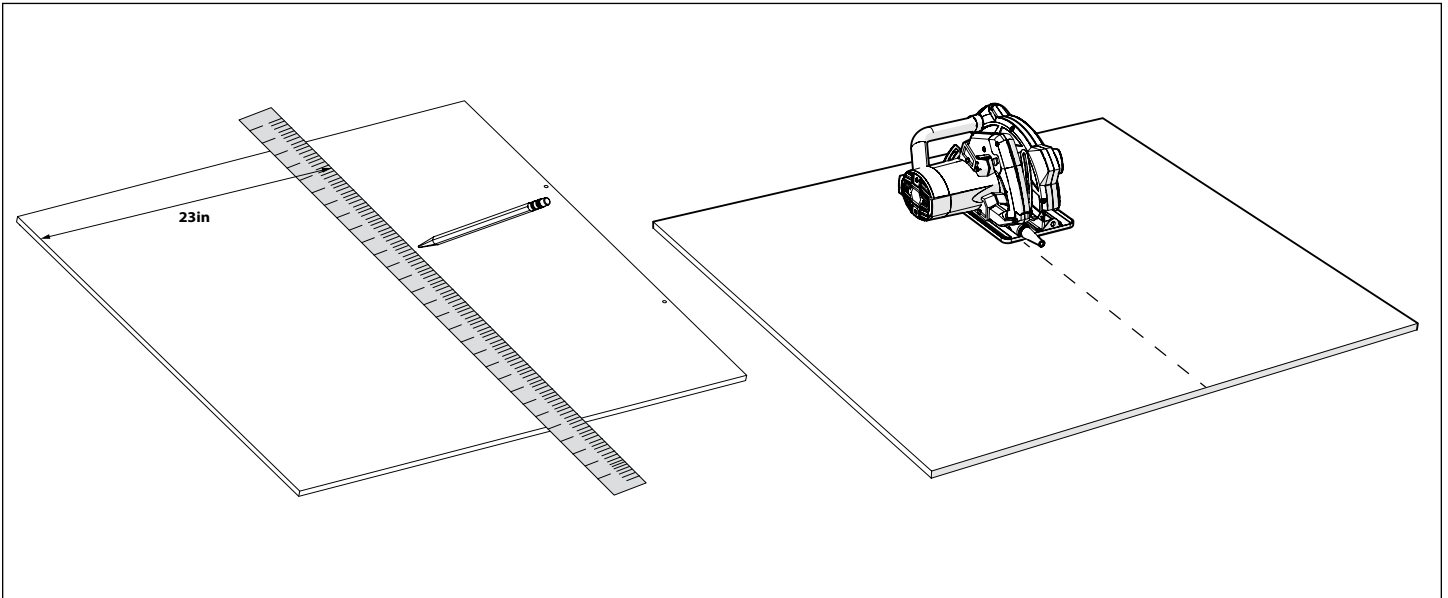
	APPLICATION	REQUIRED SIZE	SIZE TO CUT FROM
1	DUAL SIDE BURNER BACK PANEL	16	18
2	18" CABINET BACK PANEL	18	18
3	18" FALSE FRAME CABINET FRONT PANEL	17.9	18
4	36" CABINET BACK PANEL	36	36
5	36" FALSE FRAME CABINET FRONT PANEL	35.9	36
5	45° CORNER CABINET BACK PANEL	21	28
6	CABINET SIDE PANELS	23.7	28
7	90° CORNER CABINET SIDE PANEL	24.8	28
8	90° CORNER CABINET BACK PANEL	25.2	28
9	28" KAMADO CABINET BACK PANEL	28	28
10	33" INSERT GRILL BACK PANEL	33	36
11	36" INSERT GRILL BACK PANEL	36	36
12	40" INSERT GRILL BACK PANEL	40	40
13	24" FRIDGE BACK PANEL	24	28



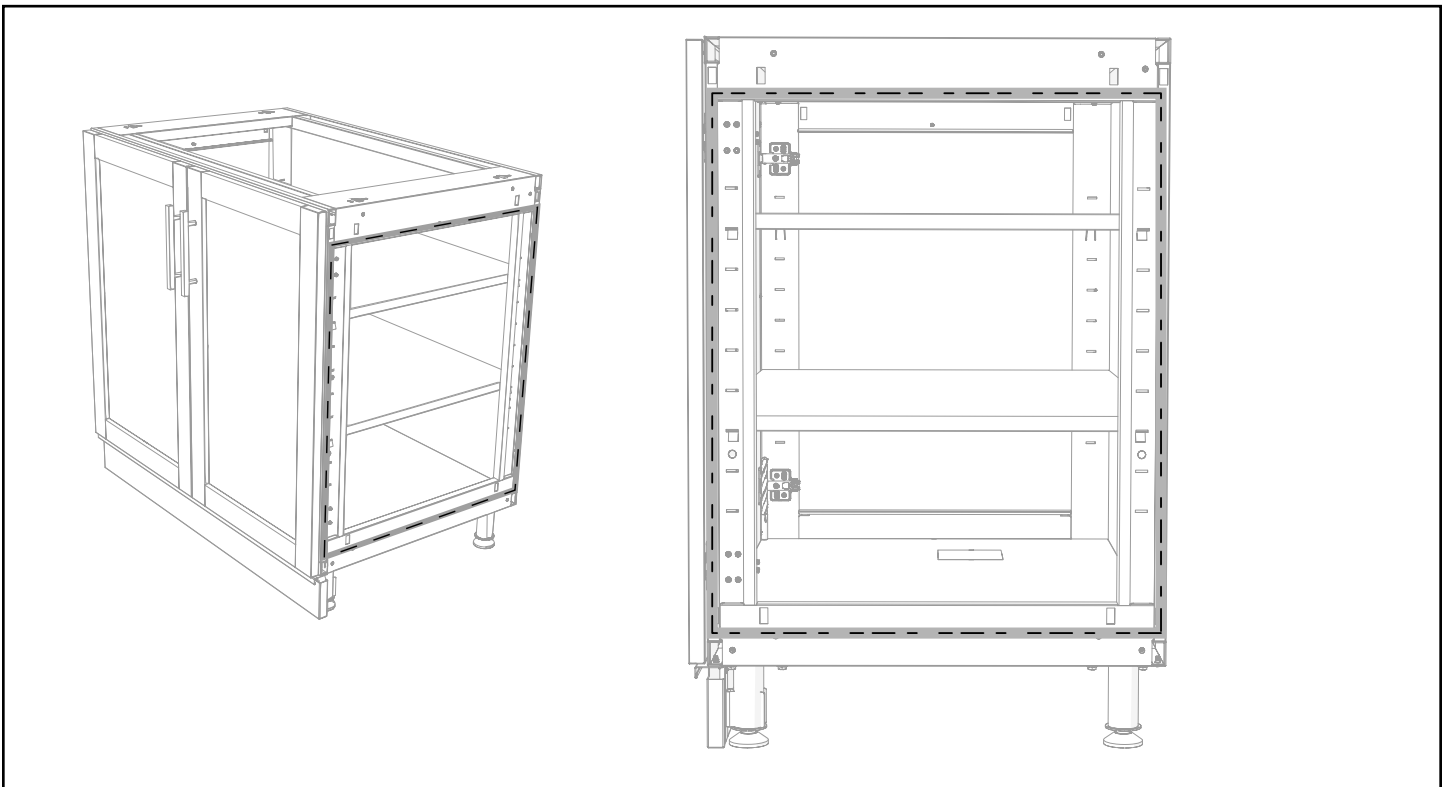
**NOTE :** For the False Frame Cabinets, the front fiber cement panel's width should be trimmed down by 3mm (1/8 in) in order to create space for installing the Trim piece at the end.

# Fiber Cement Panel Installation

- 1** Mark the required size of Fiber Cement Panel with a straight edge and pencil. Cut the fiber cement panels as per required size with a circular saw machine.
- i** Wear a face mask while cutting the fiber cement panels to protect yourself from the dust.

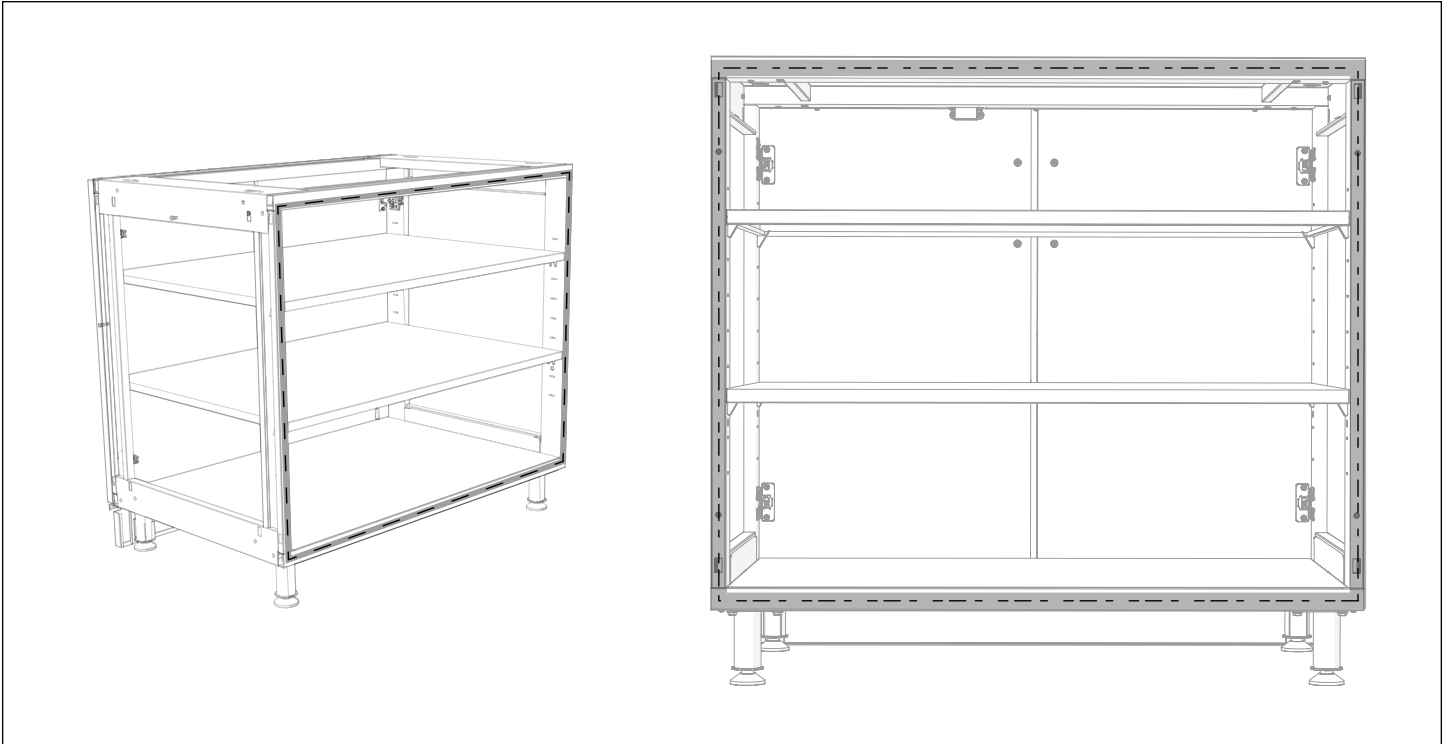


- 2** Measure and mark the holes to be drilled on the fiber cement panels by locating them on the side frame of the cabinet. (Use the located dimensions given for each cabinet in the following pages below)



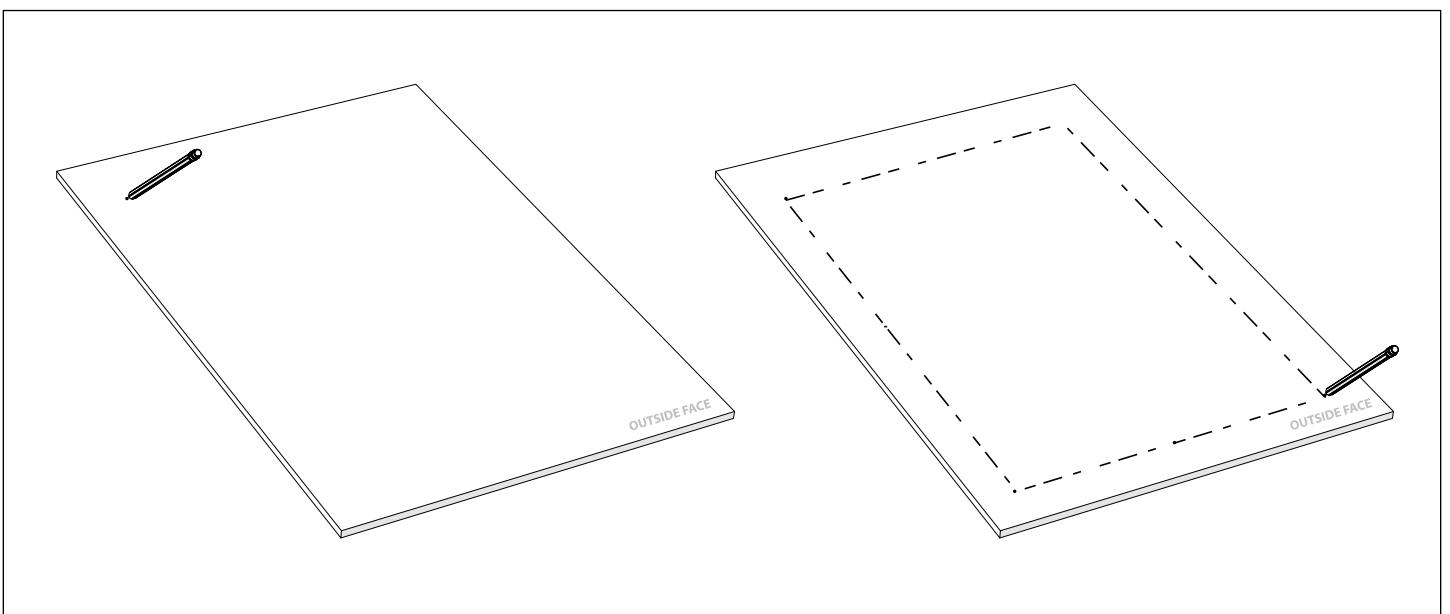
# Fiber Cement Panel Installation

- 3** Measure and mark the holes to be drilled on the fiber cement panels by locating them on the back frame of the cabinet. (Use the located dimensions given for each cabinet in the following pages below)



- 4** Mark the path line on which the holes to be drilled on the Fiber Cement Panels.

**i** **NOTE :** Make sure the path line is marked on the "OUTSIDE FACE" of the Fiber Cement Panel which has the rougher finish with a red stamp at the corner.

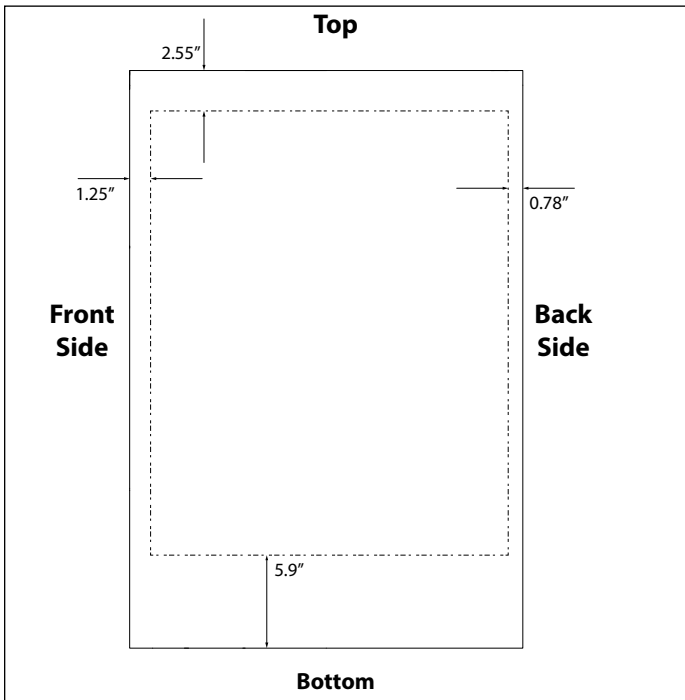


# Fiber Cement Panel Installation

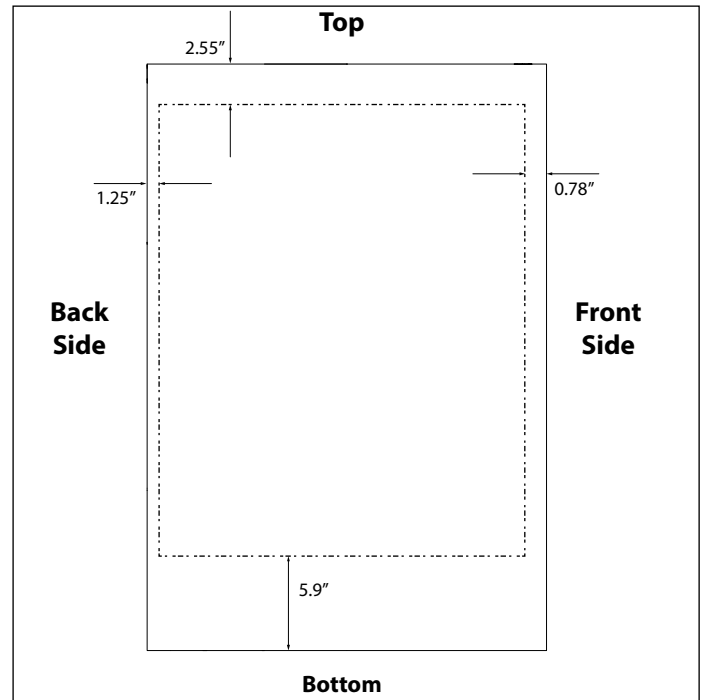
**i** Mark the perimeter as shown below for drilling the pilot holes on the Fiber Cement Panels. All Dimensions are in Inches.

**i NOTE :** The holes can be marked on the path lines shown in the diagrams. It is recommended to have atleast 4 holes on the 4 corners marked on the path.

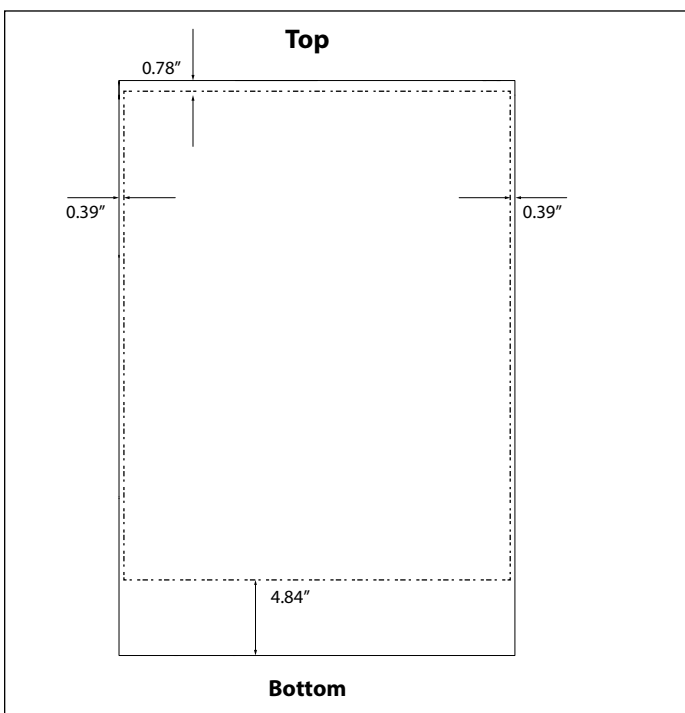
**23.7in Right Side and 24.8in 90° Side Fiber Cement Panel**



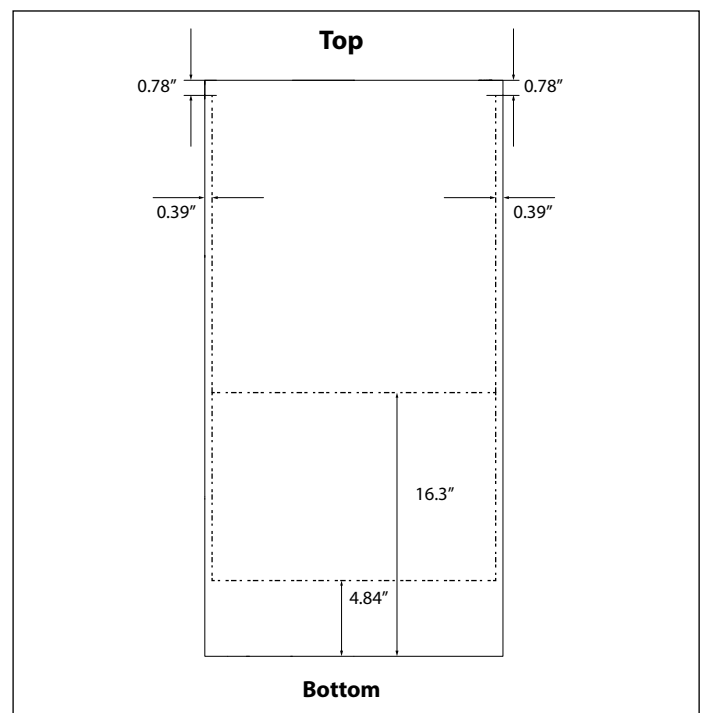
**23.7in Left Side Side Fiber Cement Panel**



**18in, 36in, 24in(Fridge),21in (45° Corner), 25.2in (90° Corner) Back Fiber Cement Panels**



**18in, 36in Sink Back Fiber Cement Panels**

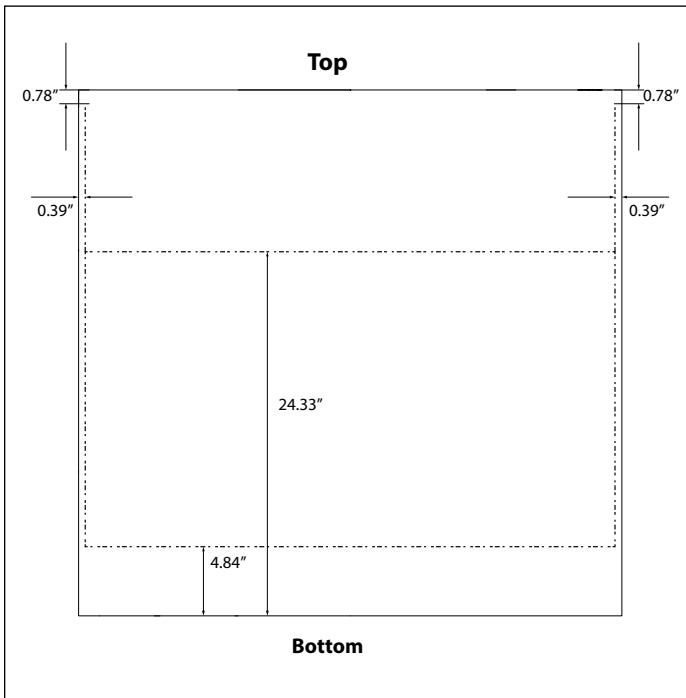


# Fiber Cement Panel Installation

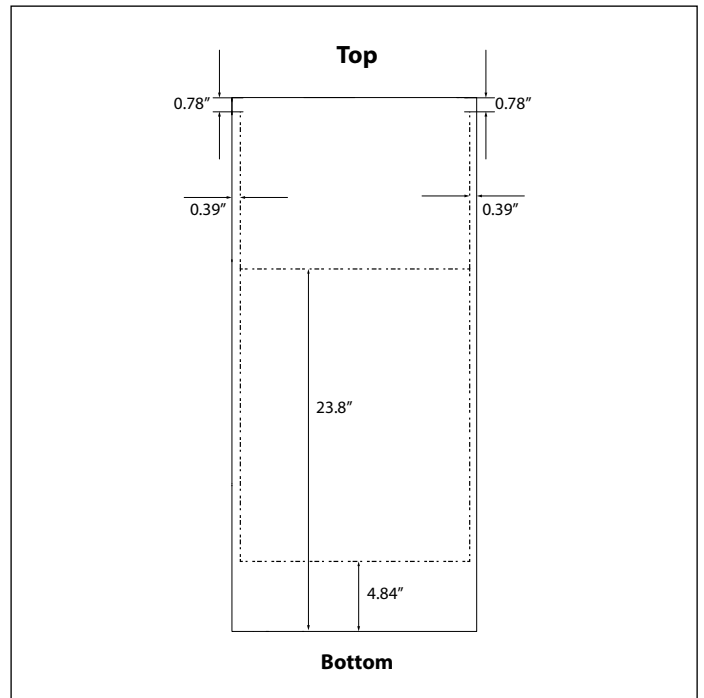


Mark the perimeter as shown below for drilling the pilot holes on the Fiber Cement Panels. All Dimensions are in Inches.

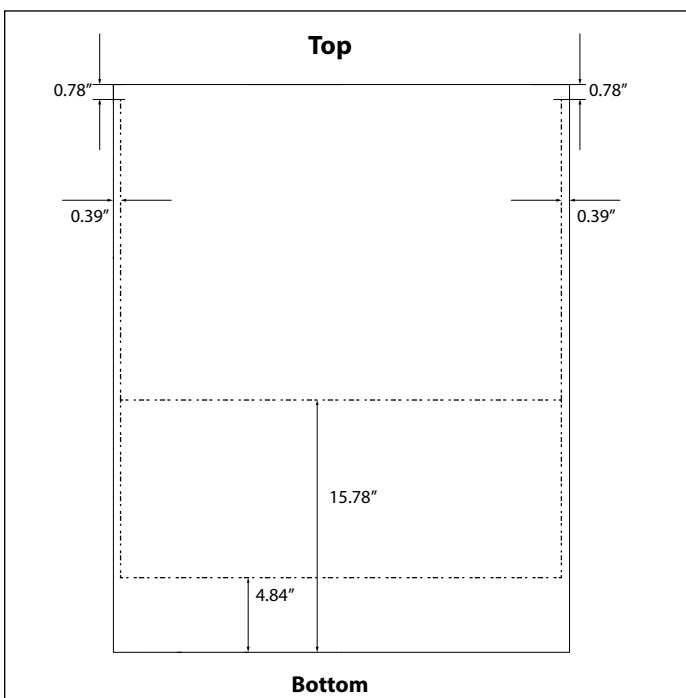
**33in,36in, 40in Grill Cabinet Back Fiber Cement Panel**



**16in Dual Side Burner Back Fiber Cement Panel**



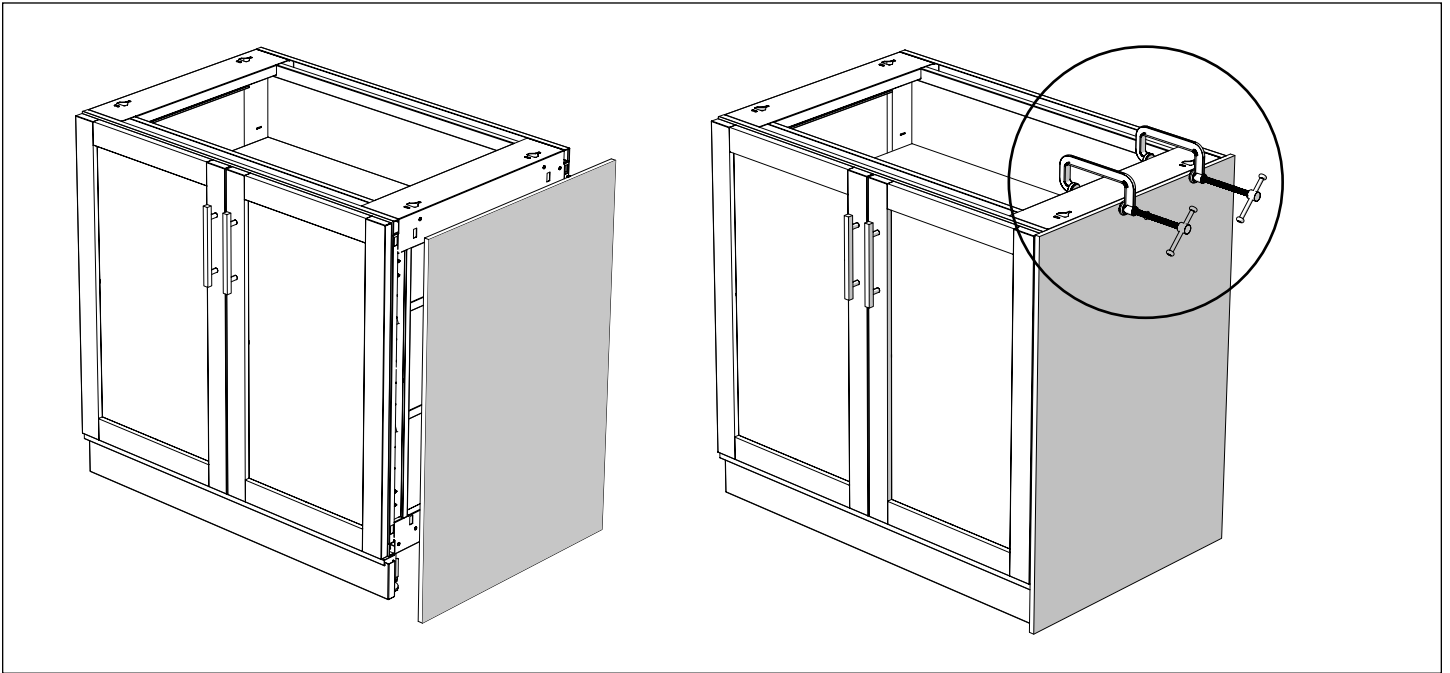
**28in Kamado Back Fiber Cement Panel**



# Fiber Cement Panel Installation

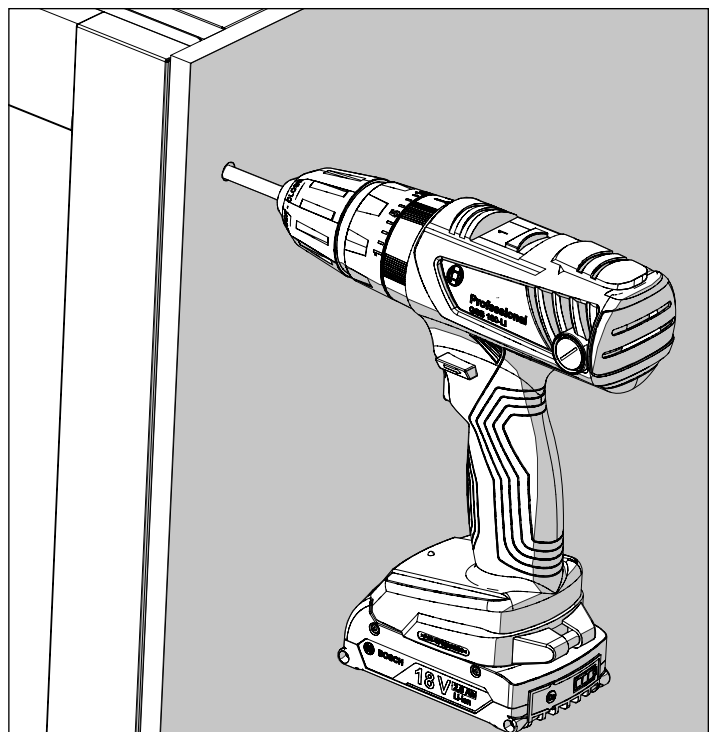
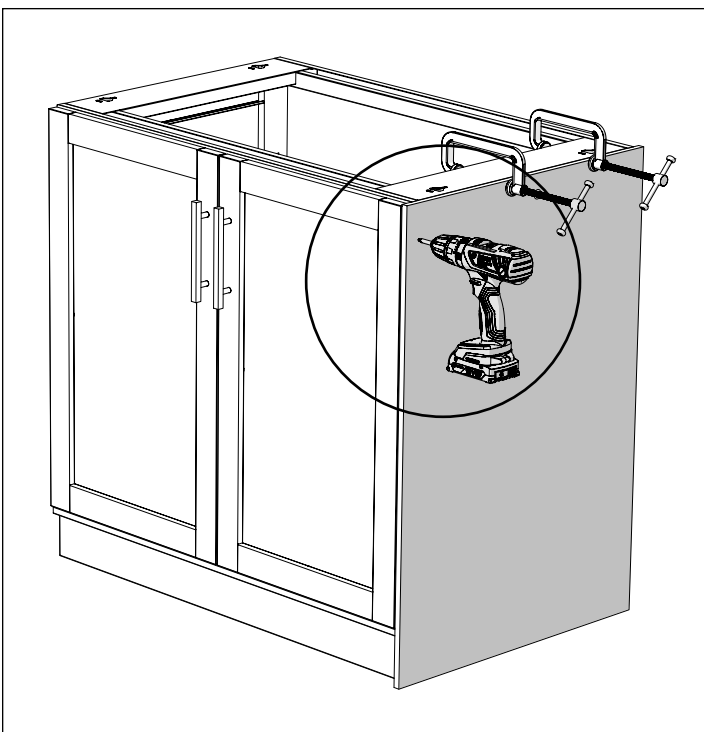
**i** **NOTE** : Make sure to start with installing the BACK Fiber Cement Panel to ease the process of panel alignment.

**5** Use two clamps to mount the Fiber Cement Panel in position. Ensure the clamps are tightened well before the next step.



**6** Drill both the Fiber Cement Panel and Cabinet frame pilot holes with the supplied M3.5 drill bit in one go.

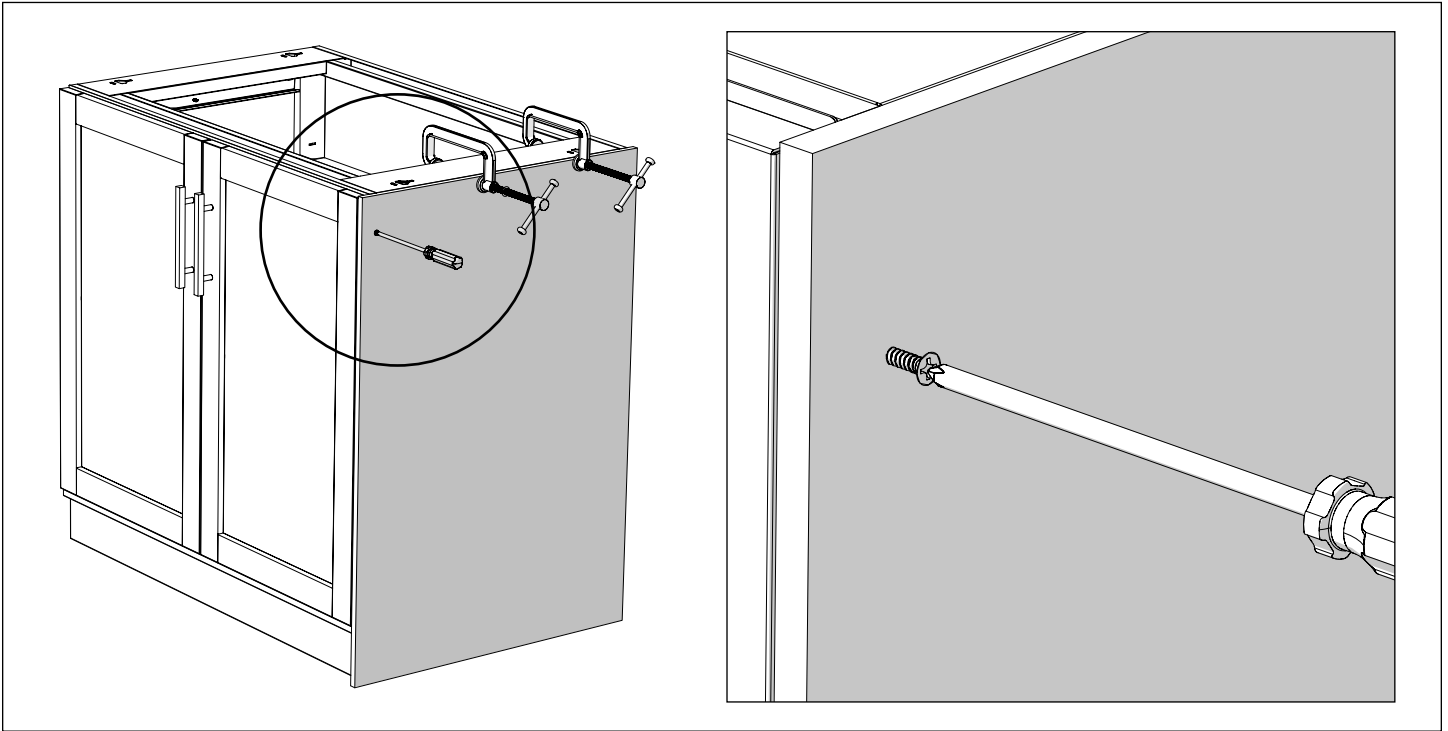
**i** **NOTE**: Ensure to only drill the outer sheet metal layer of the cabinet frames.



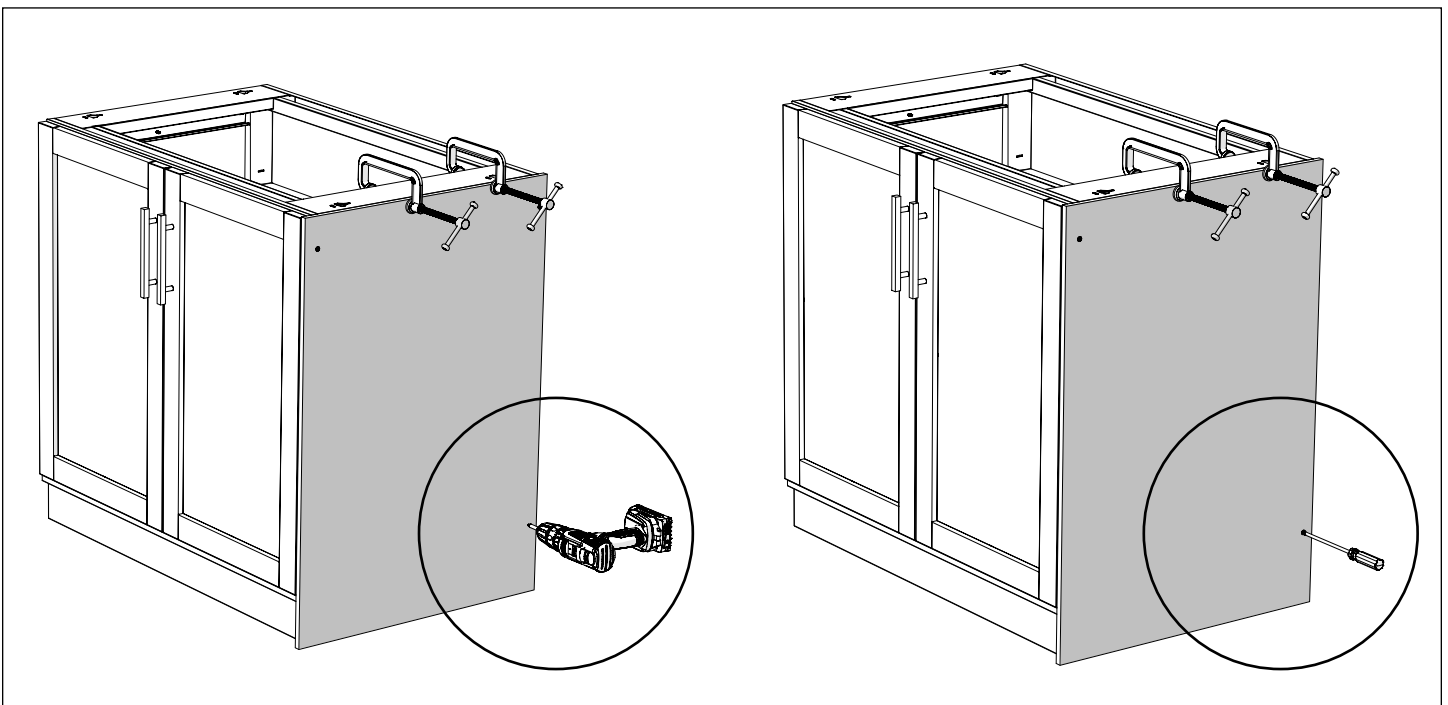
# Fiber Cement Panel Installation

**7** Once the hole of the top corner is drilled, install the Phillips flat head screw with the screw driver or a power tool.

**i** **NOTE** : 12 X Phillips flat head screws are supplied with each cabinet for the Fiber Cement Panels. Make sure that at least 6 screws be mounted for each Fiber Cement Panel.



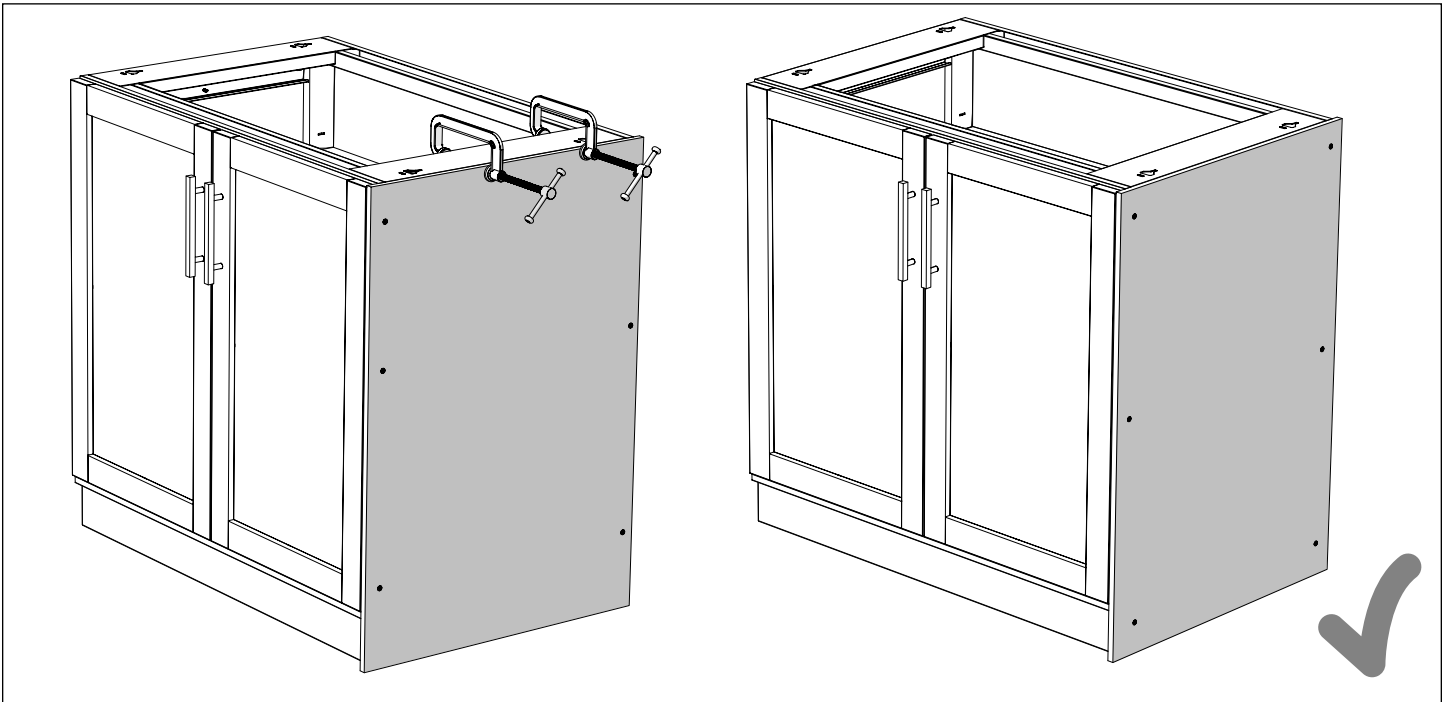
**8** Once the screw is installed in the top left corner, follow the same process of drilling the bottom right corner and install the screw respectively.



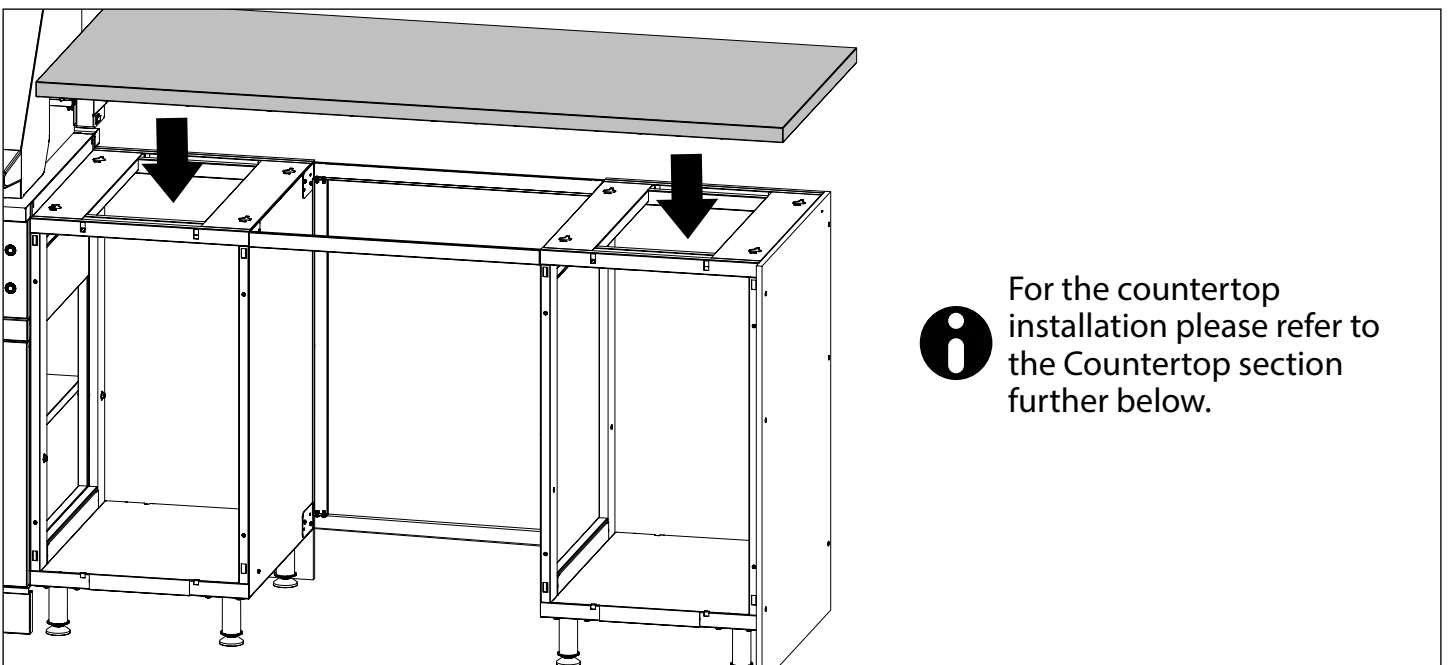


# Fiber Cement Panel Installation

- 9** Now follow the same process to install the other screws in their respective locations marked as per the Fiber Cement Panel Size. Once the screws are all installed, remove the clamps and proceed to fix the next Fiber Cement Panel.



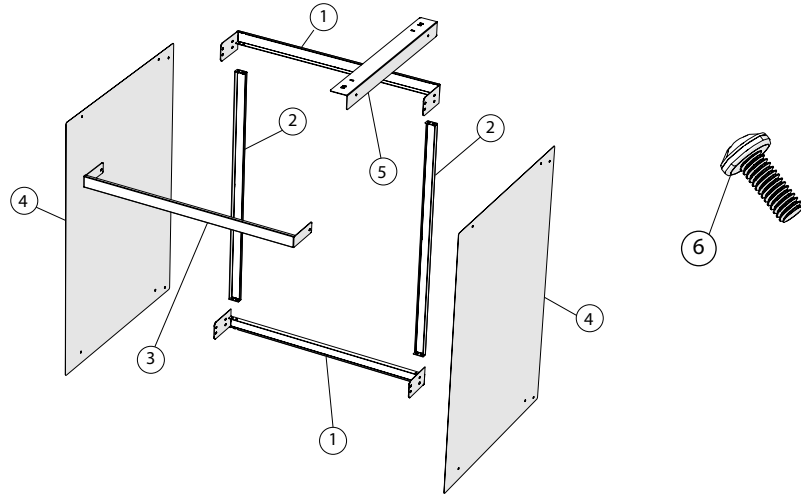
- i** **NOTE :** For the Cabinet Sets including False Frames(18" and 36"), it is recommended to install the Stainless Steel countertop first and then the front and back Fiber Cement Panels. This is due to the limited access to the connecting screws for the Stainless Steel countertop installation, after installing all the fiber cement panels.



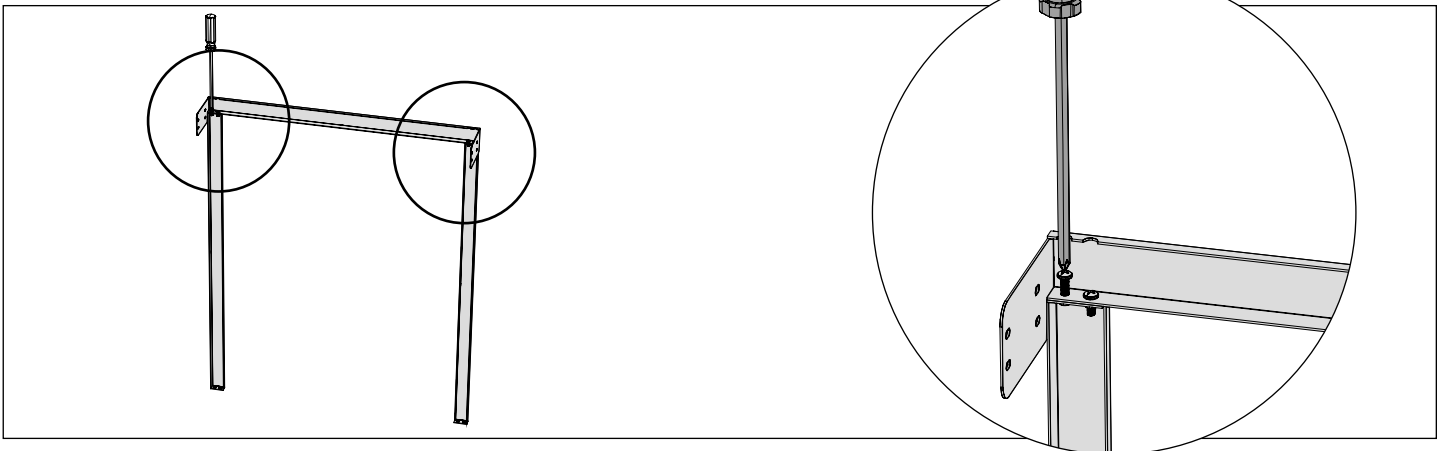
# Fridge Bracket Kit Installation

**i** The Fridge bracket is used to mount the Fiber Cement Panels at the back end of the Fridge. The Bracket Kit includes a Front Horizontal bracket(3) for covering the space between the countertop and the Fridge Top. The Kit also includes the countertop mounting "L" bracket (5) which is to be used when Fridge end of the 60" countertop is unsupported.

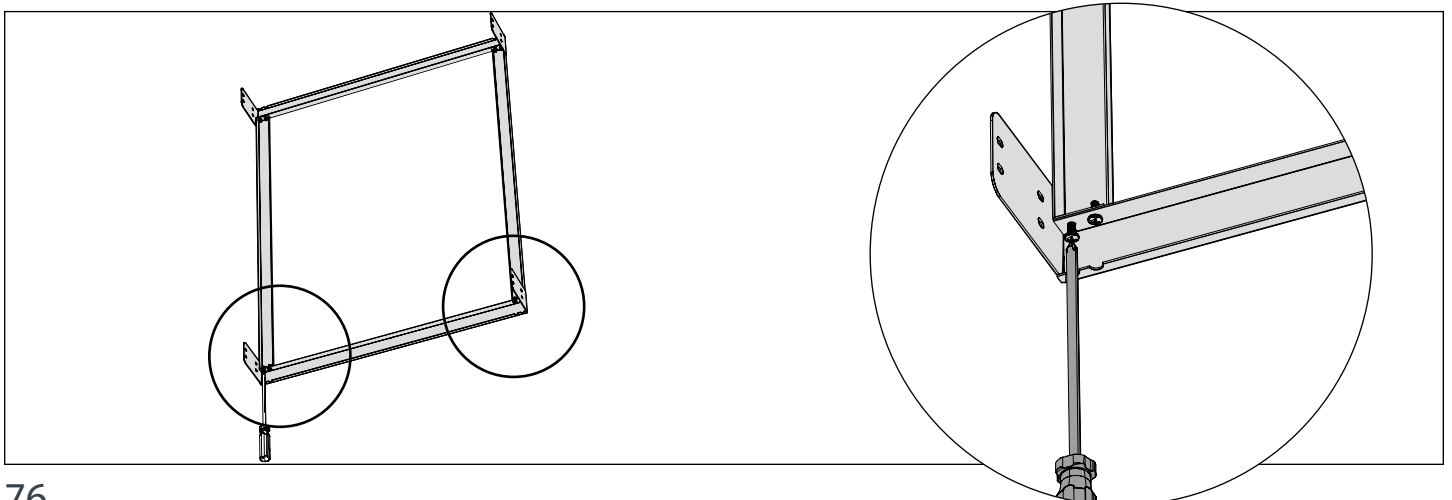
Item	Components	QTY
1	Horizontal Support Brackets	2
2	Vertical Support Brackets	2
3	Front Horizontal Bracket	1
4	Side Cover Sheet	2
5	Countertop Mounting L Bracket	1
6	M4x10 Pan Head Screw	23



**1** First assemble the back frame with the top horizontal support bracket(Item 1) and the two vertical beams (Item 2)with 2 x pan head screws on both sides.

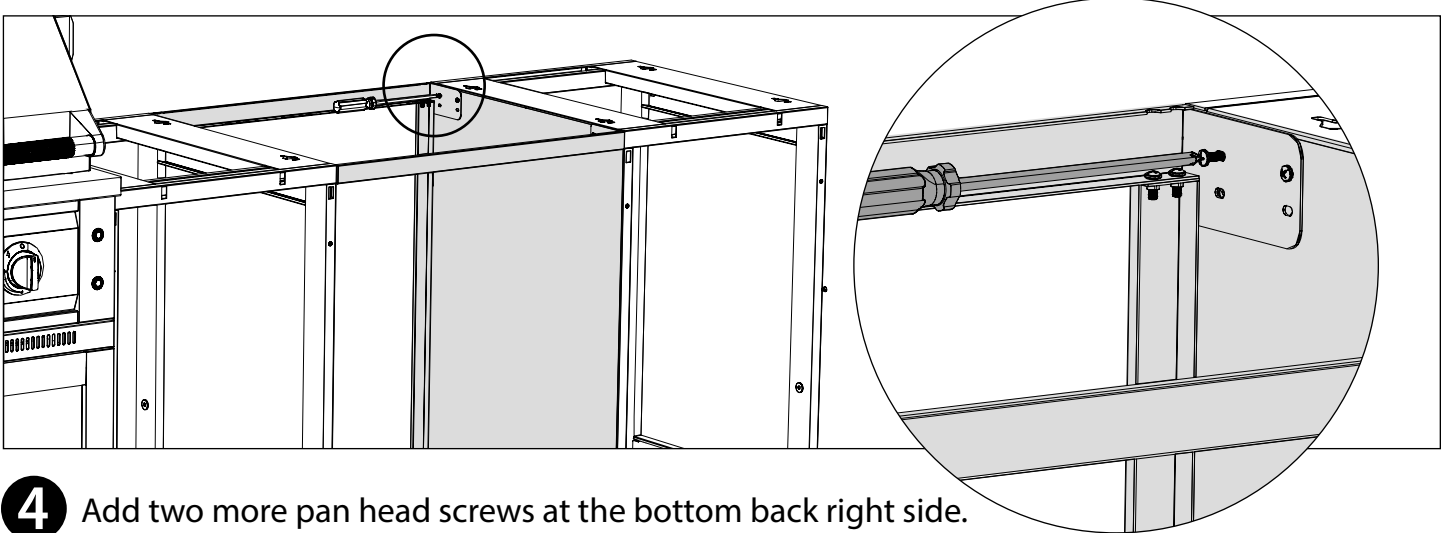


**2** Add the bottom horizontal support bracket (Item 1) to the back frame with 2 x pan head screws on both sides.

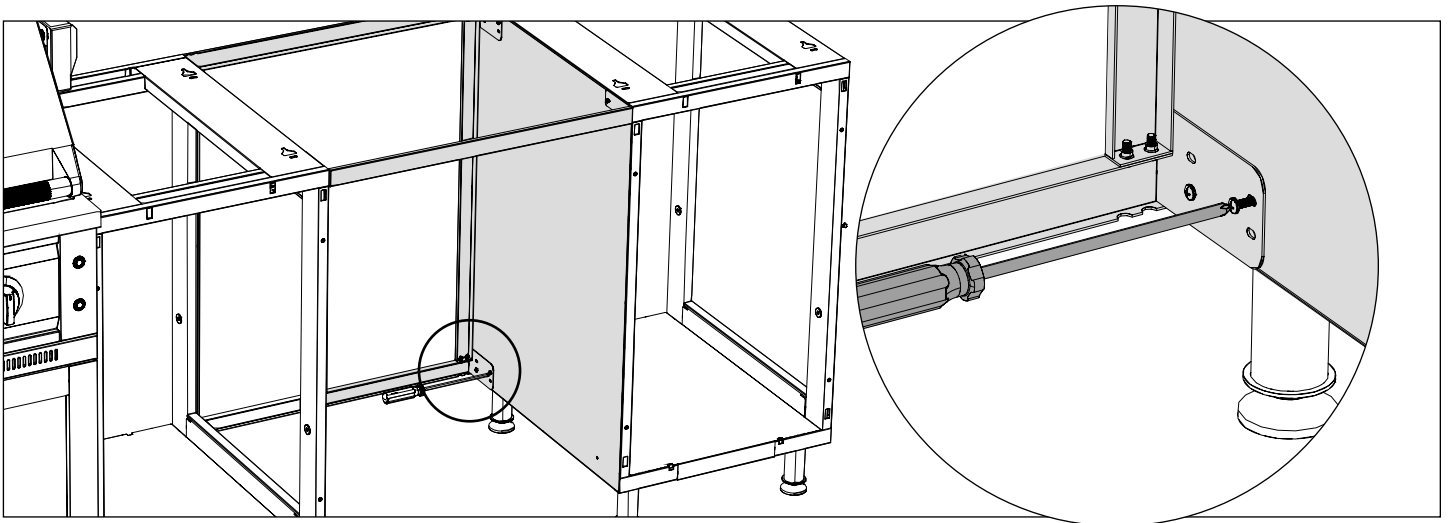


# Fridge Bracket Kit Installation

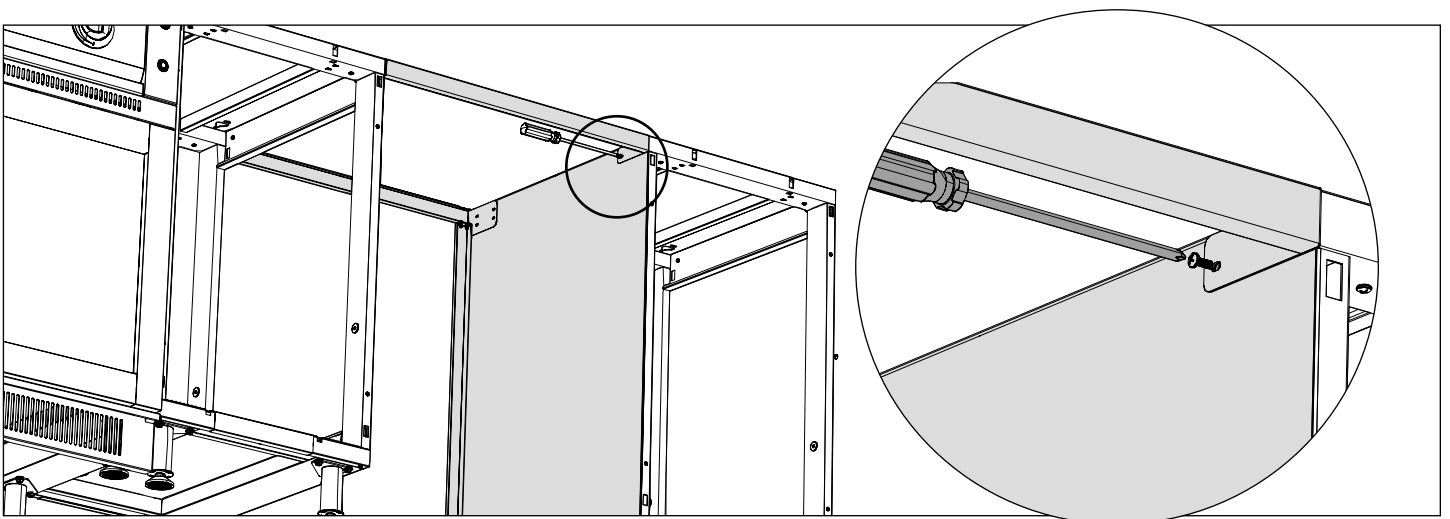
- 3** Now hold the back frame, right side sheet (Item 4), and the front horizontal bracket (Item 3) together in place and add the 2 x pan head screws at the top back right side.



- 4** Add two more pan head screws at the bottom back right side.

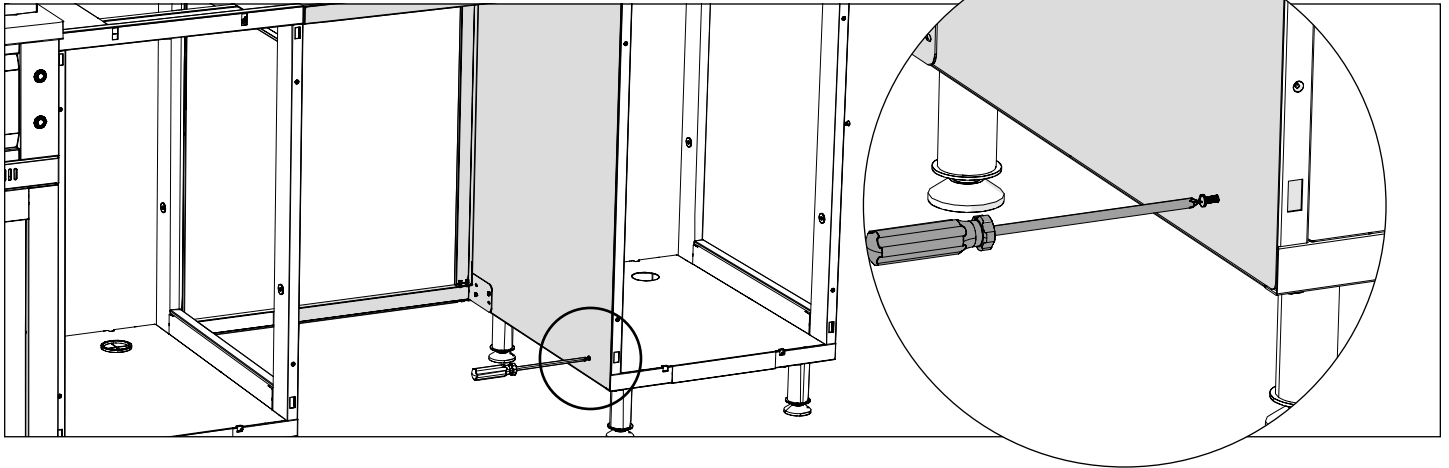


- 5** Add 1 x pan head screw at the top front right side.

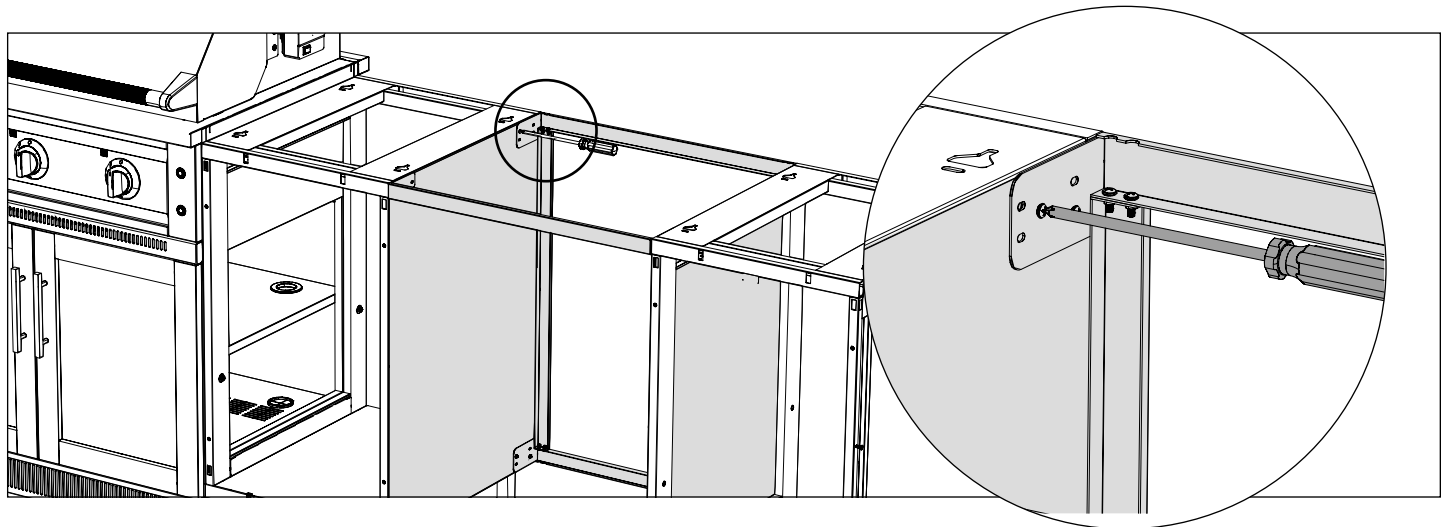


# Fridge Bracket Kit Installation

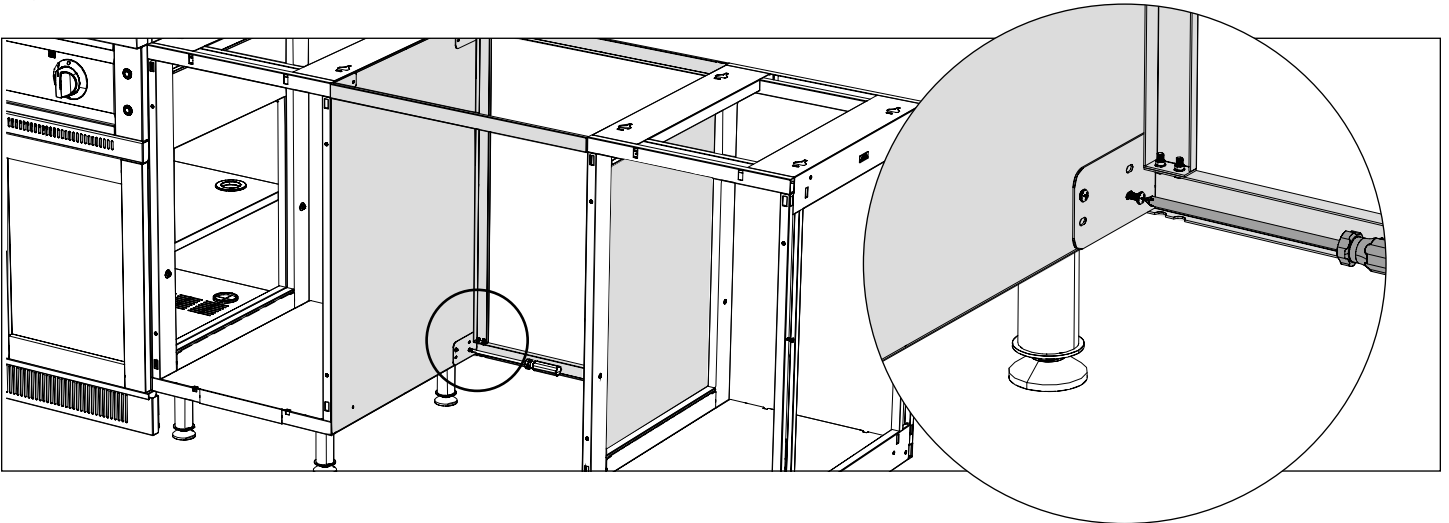
**6** Add 1 x pan head screw at the bottom front right side.



**7** Now slide the left side sheet (Item 4) in place and add 2 x pan head screws at the top back left side.

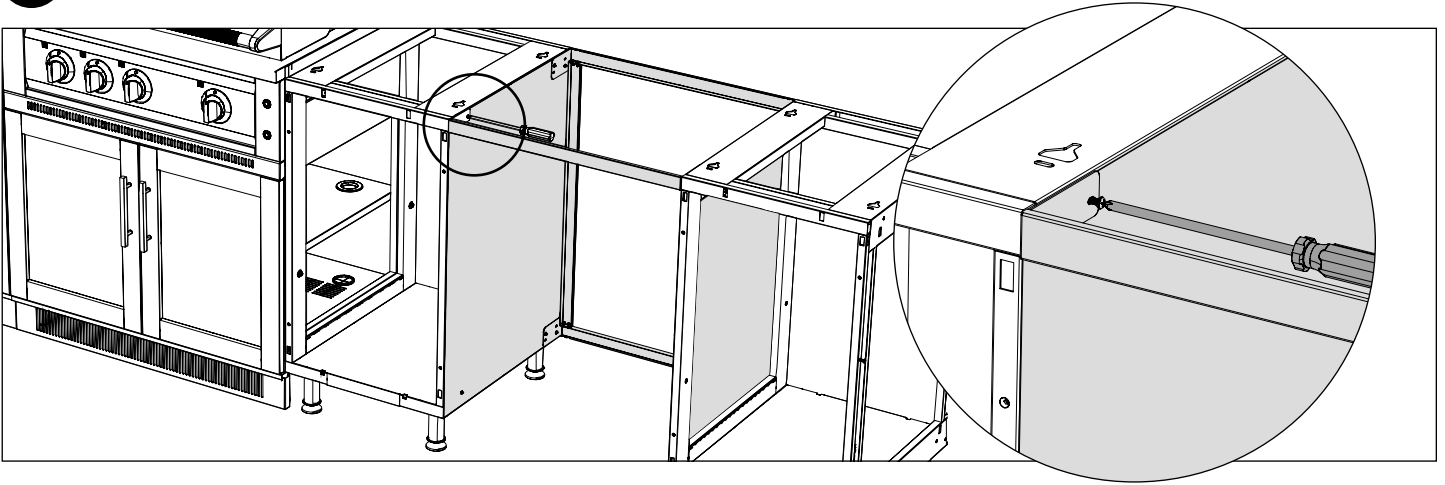


**8** Now Add 2 x pan head screws at the bottom back left side.

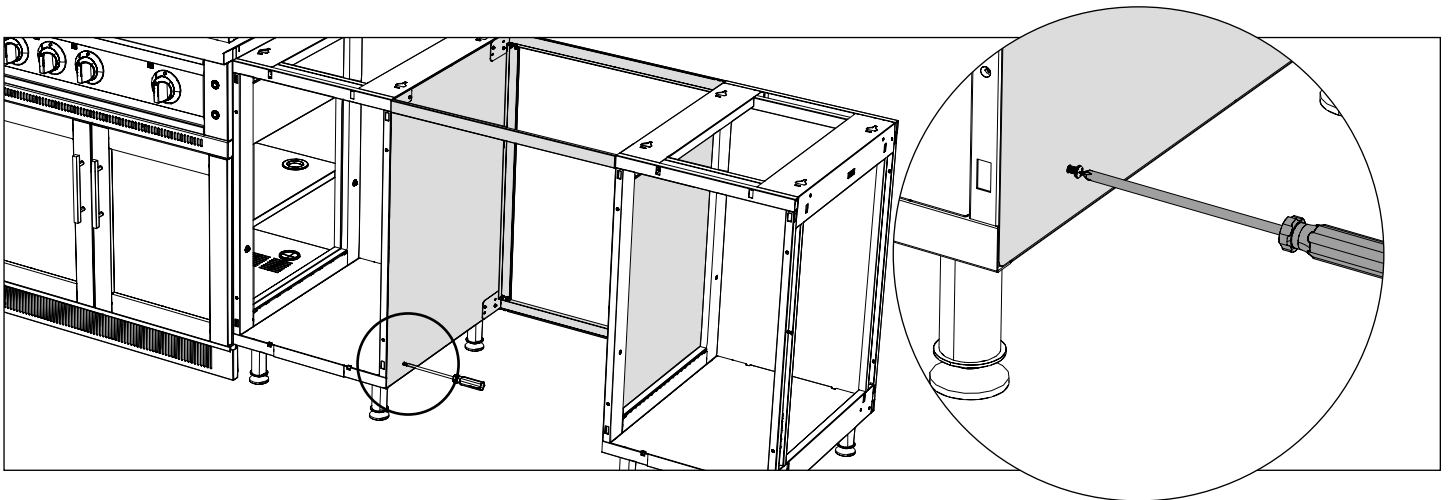


# Fridge Bracket Kit Installation

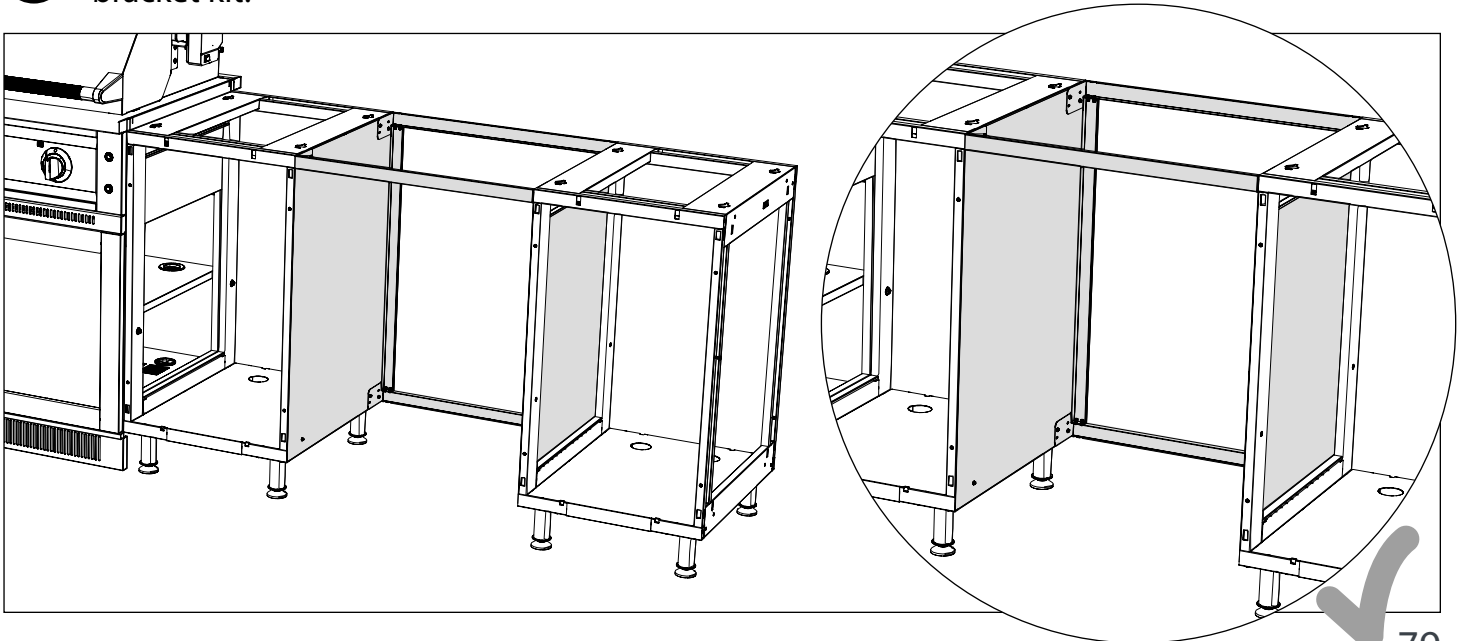
**9** Now add 1 x pan head screw at the top front left side.



**10** Now add 1 x pan head screw at the bottom front left side.



**11** Ensure all the pan head screws are tightened well to secure all the components of the fridge bracket kit.

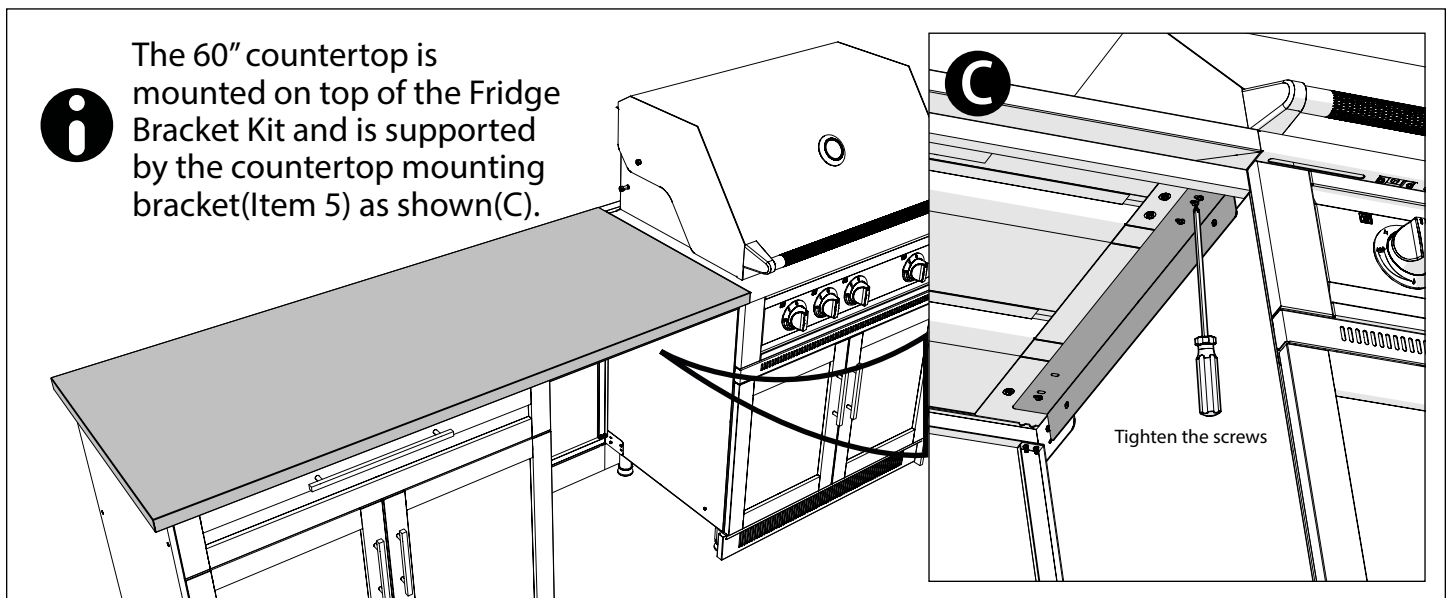
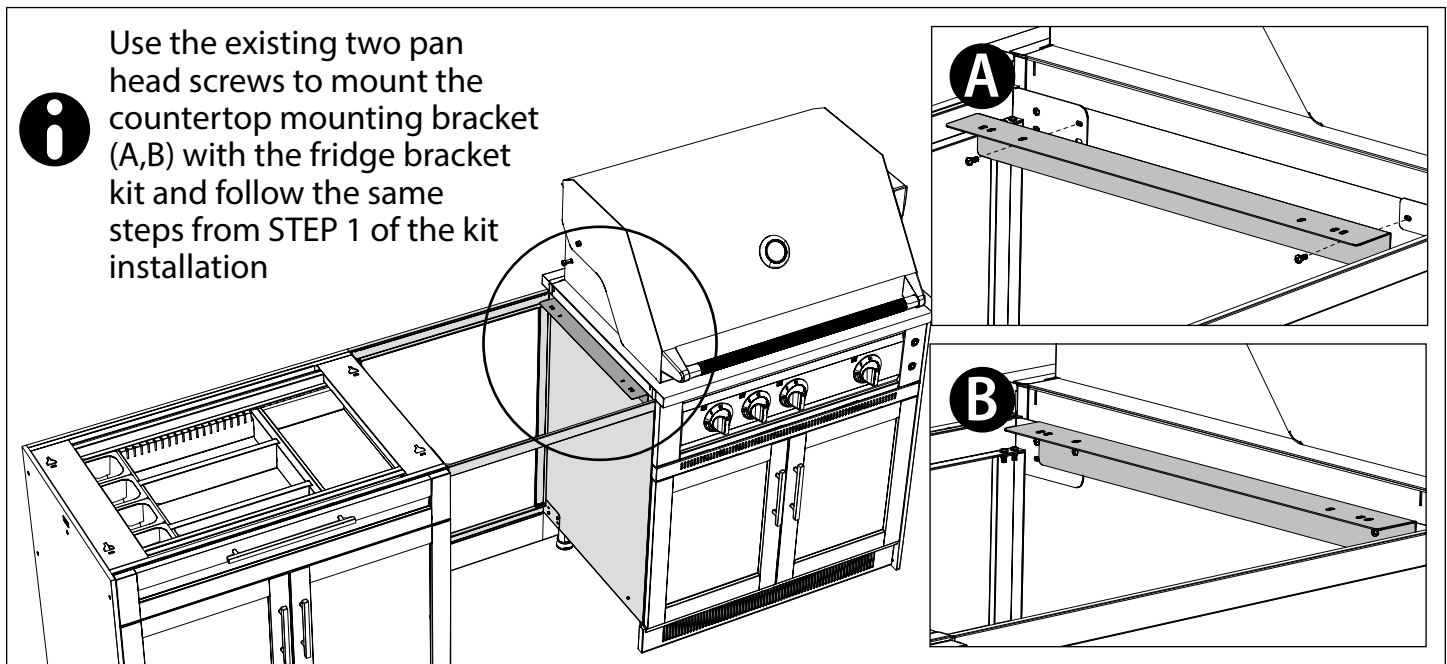


# Fridge Bracket Kit Installation

**i** **NOTE :** The fridge cannot be located at the end of the cabinet row. It should always be between 2 cabinets.

**i** **NOTE :** The countertop mounting bracket (Item 5) is used when one end of the 60" countertop needs to be supported.

**i** **NOTE :** The illustration below shows the use of the countertop mounting bracket (Item 5) for the set configuration of the 36" Cabinet and the Fridge. For reference of how to install the countertop over the fridge, please follow the steps in the countertop section further below.



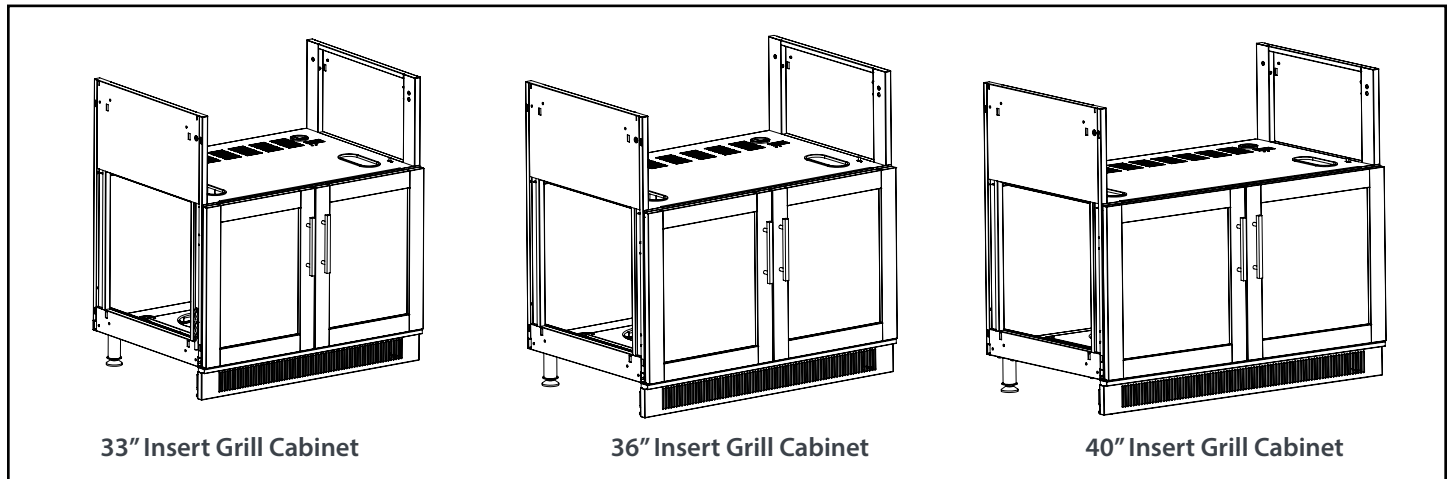
**i** **NOTE :** Only for the Stainless Steel countertops, make sure to install the screws. For the Granite countertops, there will be only silicon between the mounting bracket and the countertop.

# **PREPARING THE APPLIANCE CABINETS**



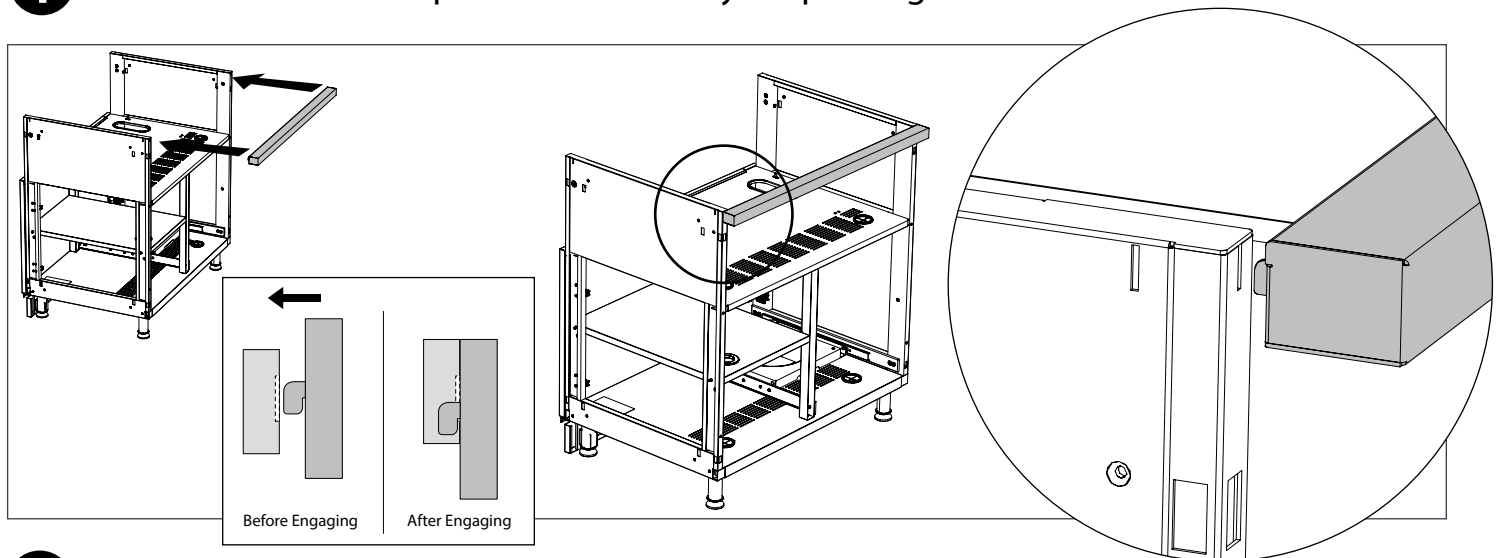
# Installing the Insert Grill

**i** The following instructions apply to the cabinets below.

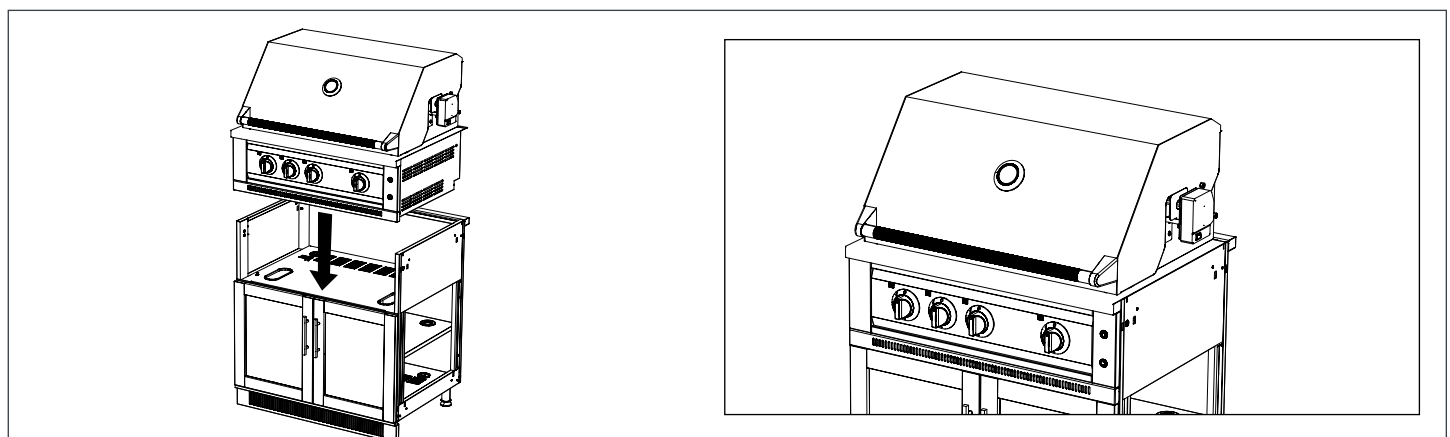


**i** **NOTE:** To install the different sizes of Non-NewAge grills, refer to the Filler Bracket Kit Installation section in the following pages below.

**1** Install the rear end cap on the cabinet by snap fitting it into the shown slots.



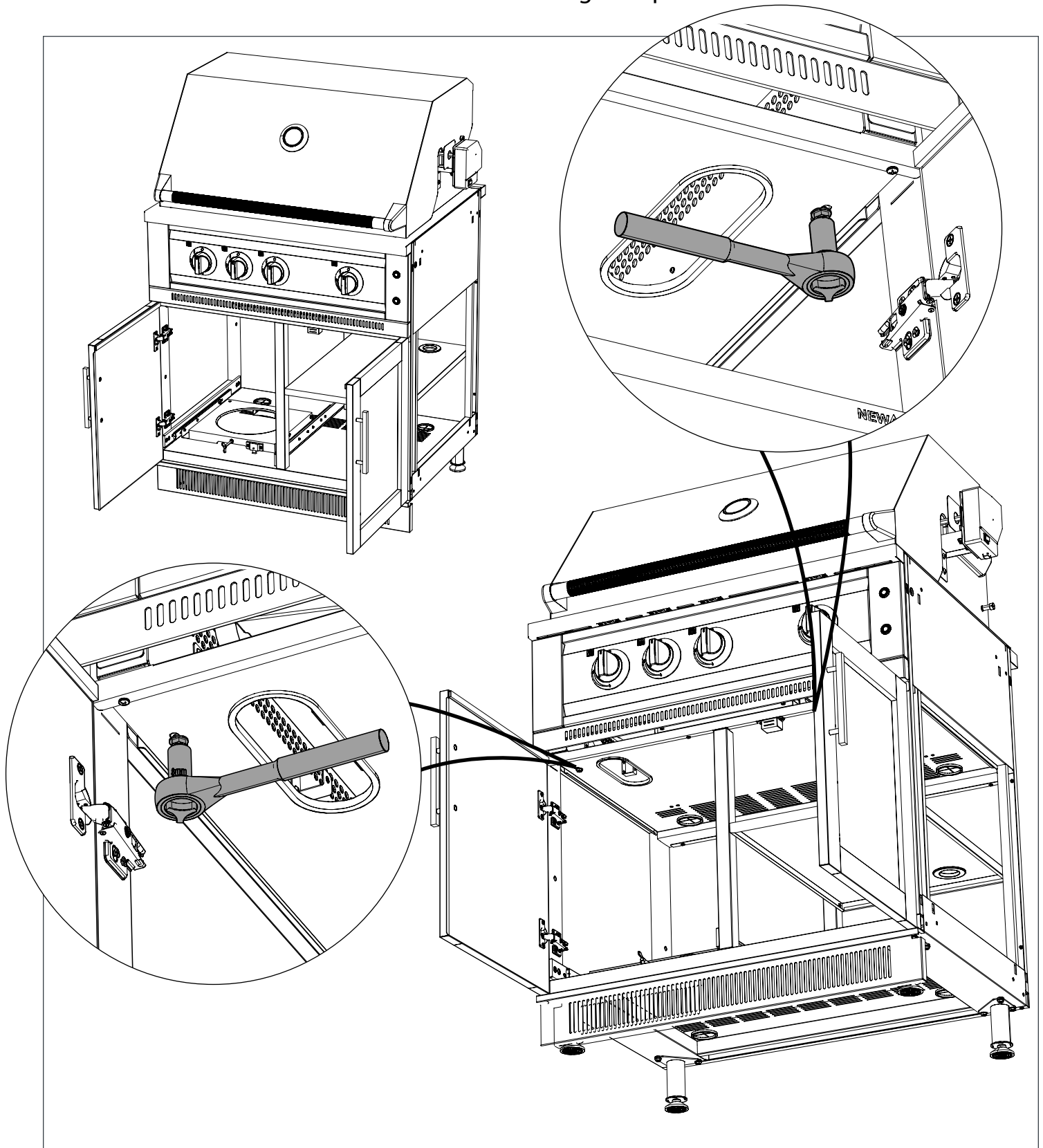
**2** Place the NewAge Insert Grill as per the Cabinet Size on top of the cabinet carefully.





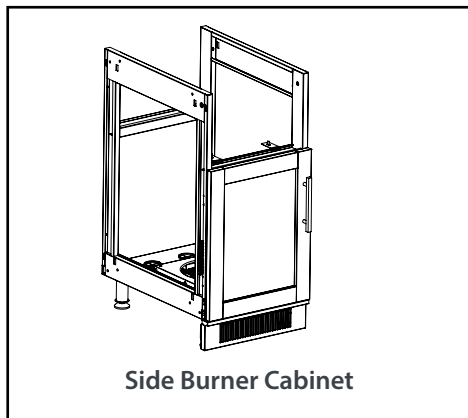
# Installing the Insert Grill

- 3** Once placed on the side supports of the cabinet, open the doors for access to fasten the grill on to the cabinet. Locate the holes and install the grill with 2 X flange head hex screws from the bottom and secure the grill in place.

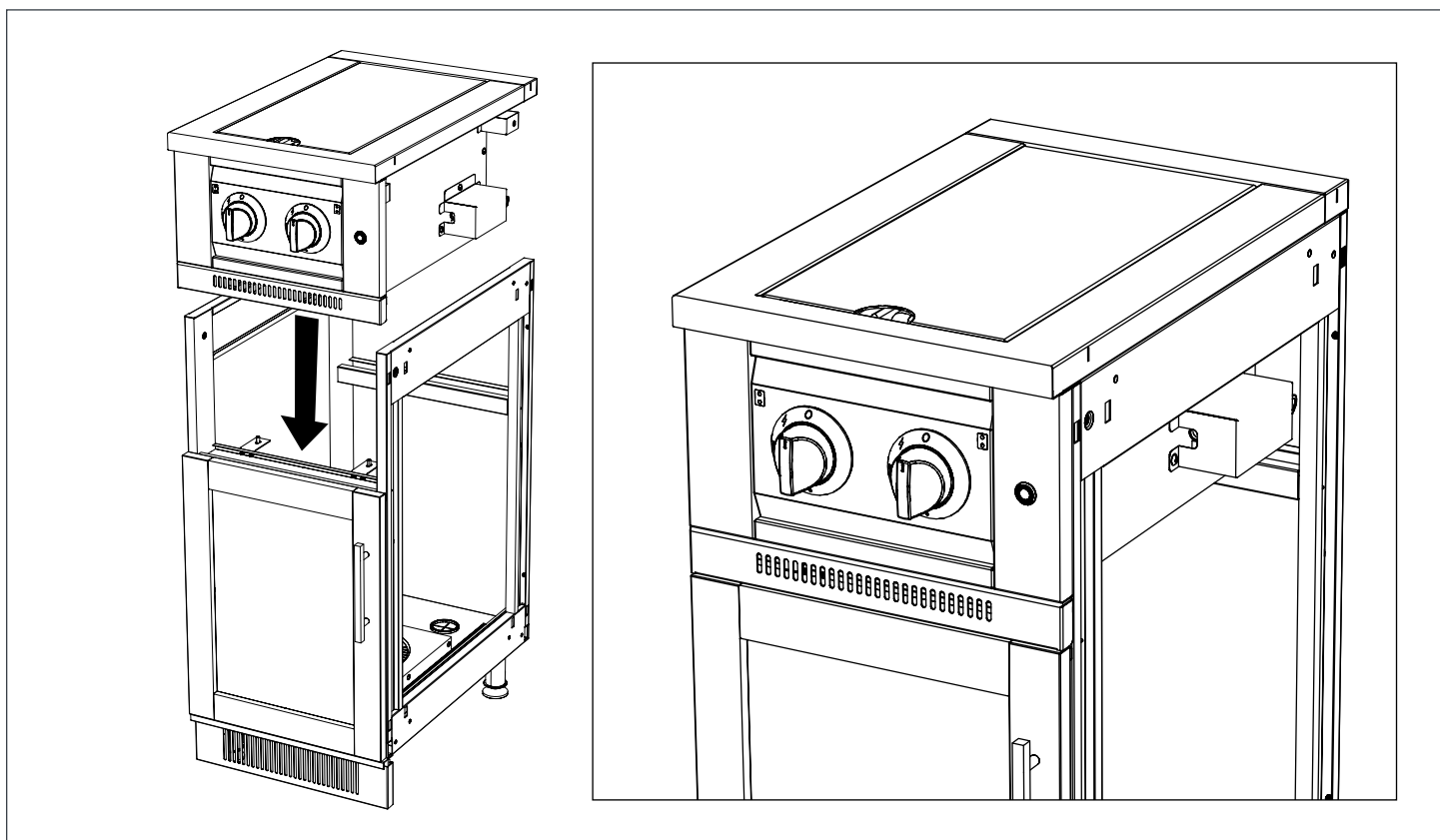


# Installing the Side Burner

**i** The following instructions apply to the cabinet below.

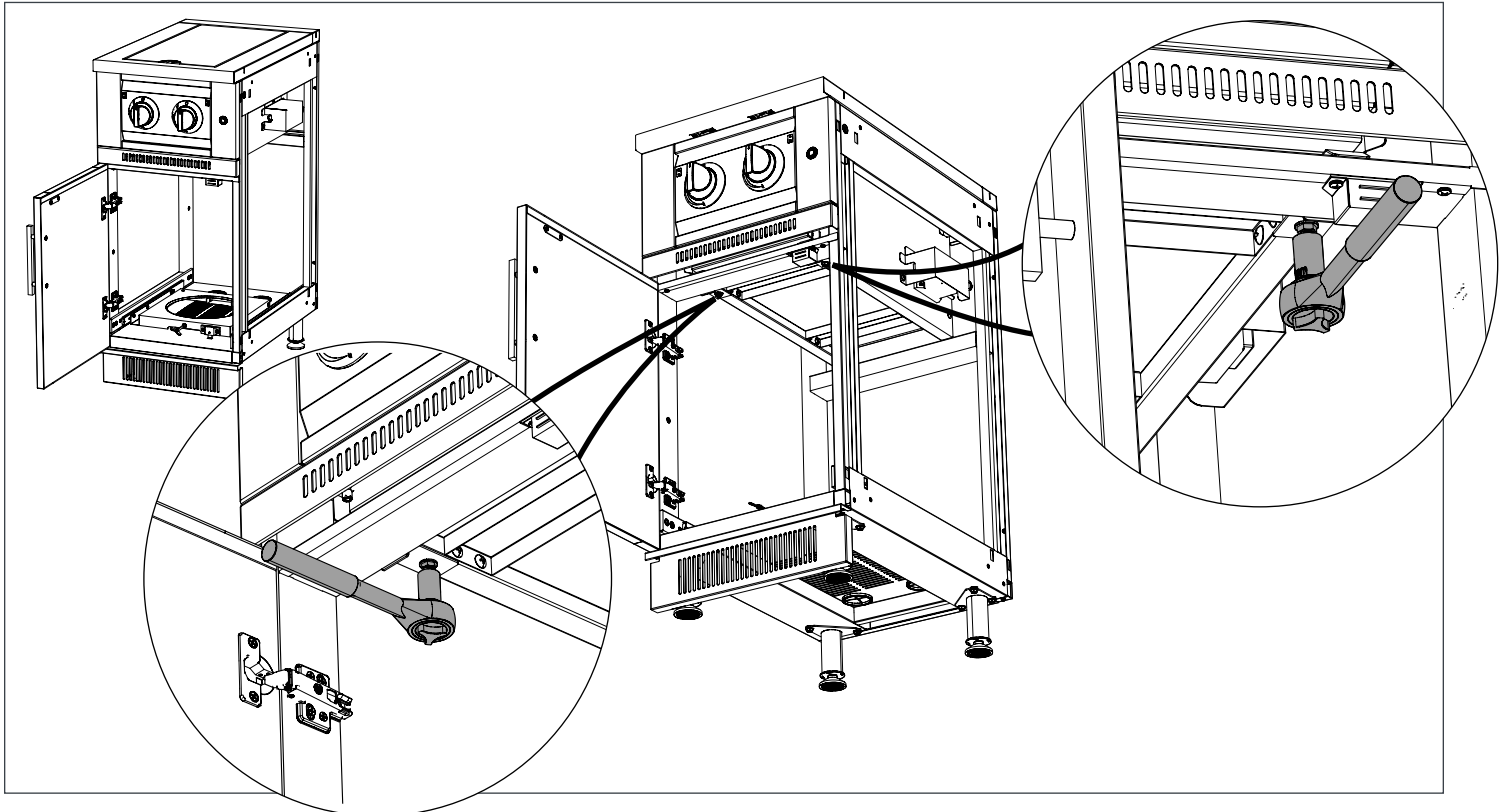


**1** Place the NewAge Side Burner carefully on top of the cabinet.

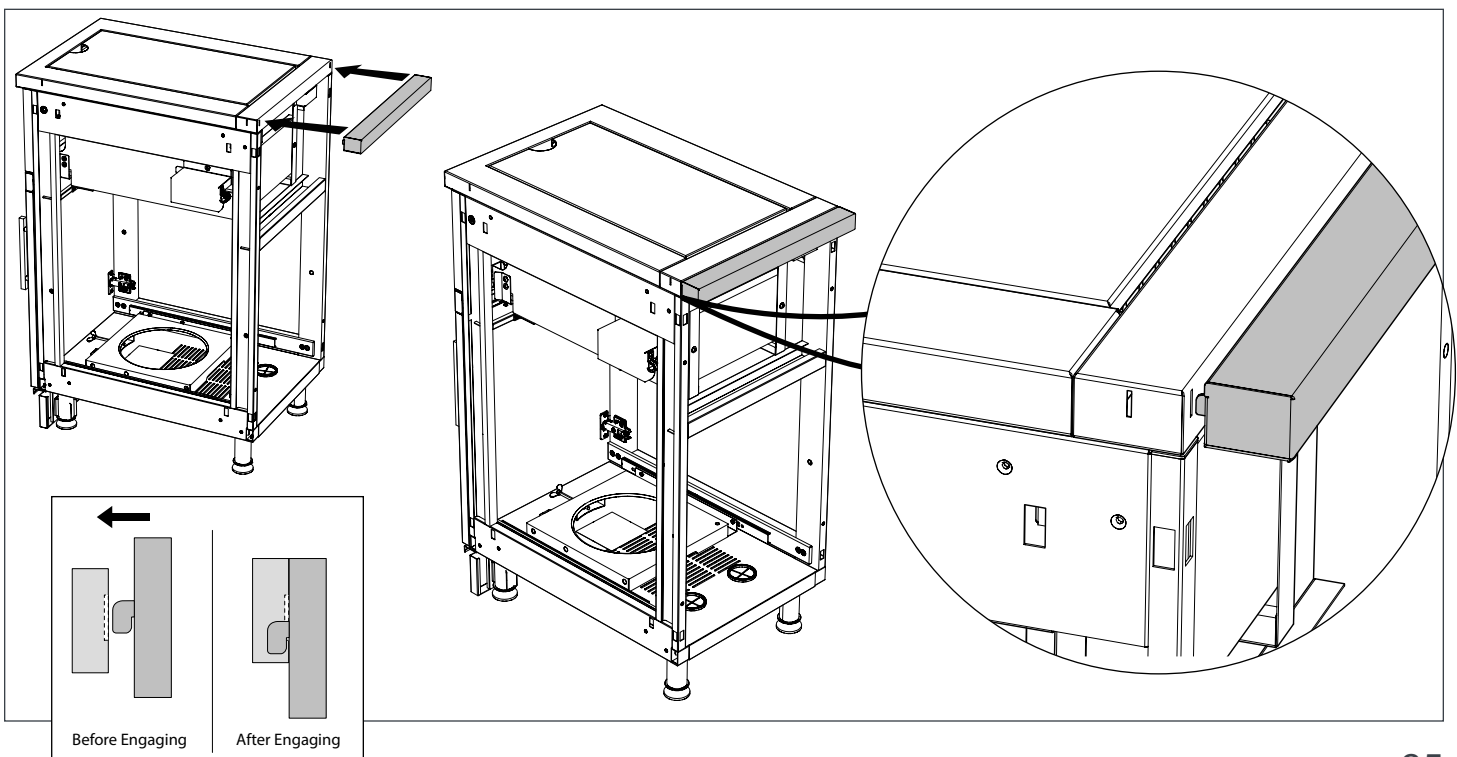


# Installing the Side Burner

- 2** Once placed on the side supports of the cabinet, open the door for access to fasten the Side Burner on the cabinet. Locate the holes and install the Side Burner with 2 X flange hex head screws from the bottom and secure its place.

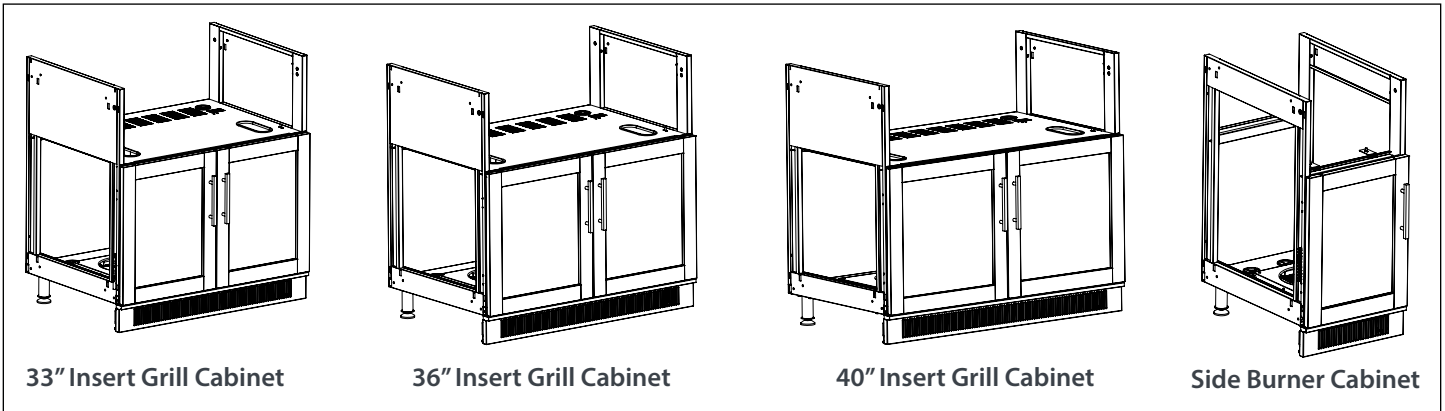


- 4** Install the rear end cap on top of the side burner by snap fitting it into the shown slots.

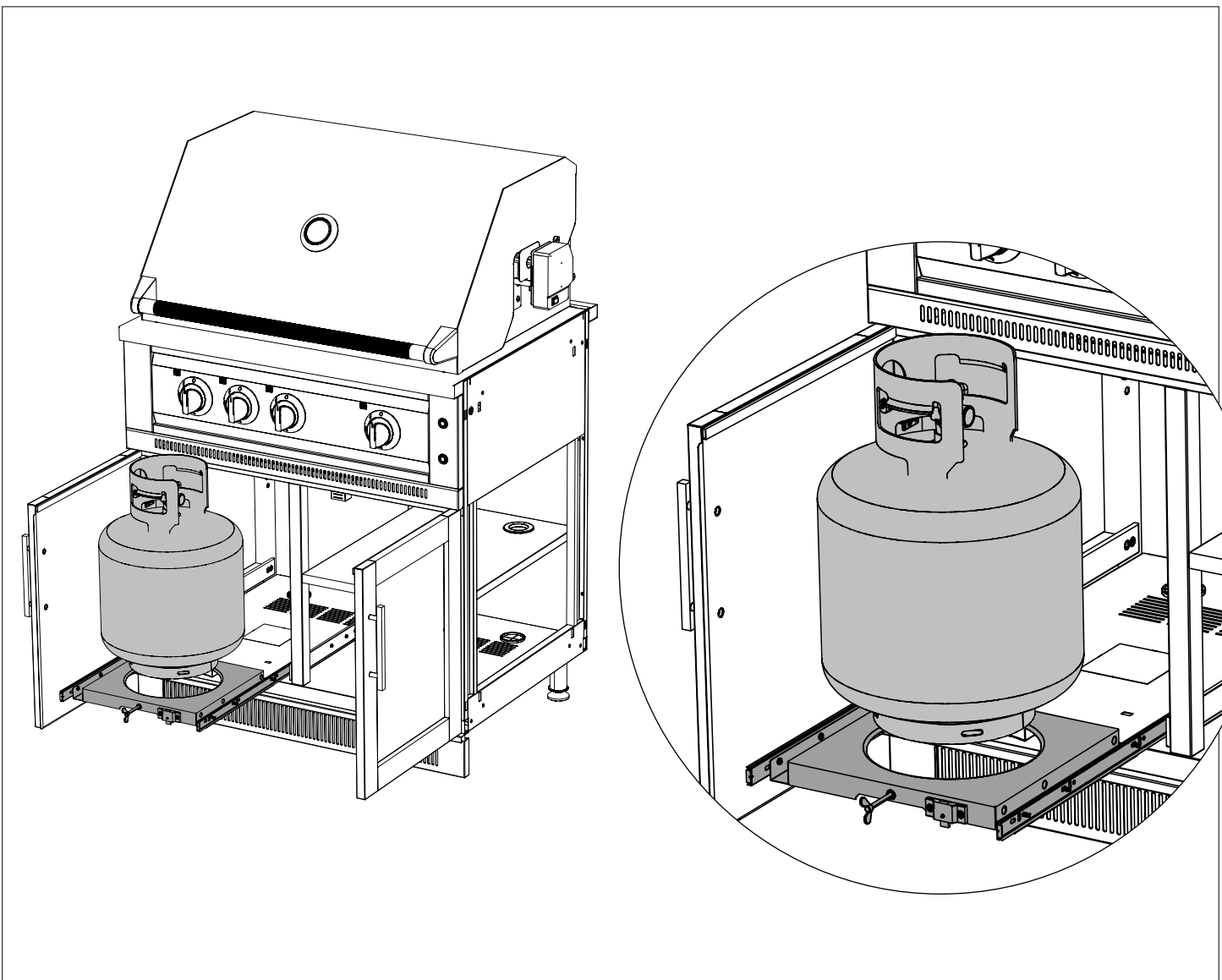


# Installing the Gas Tank

**i** The following instructions apply to the cabinets below.

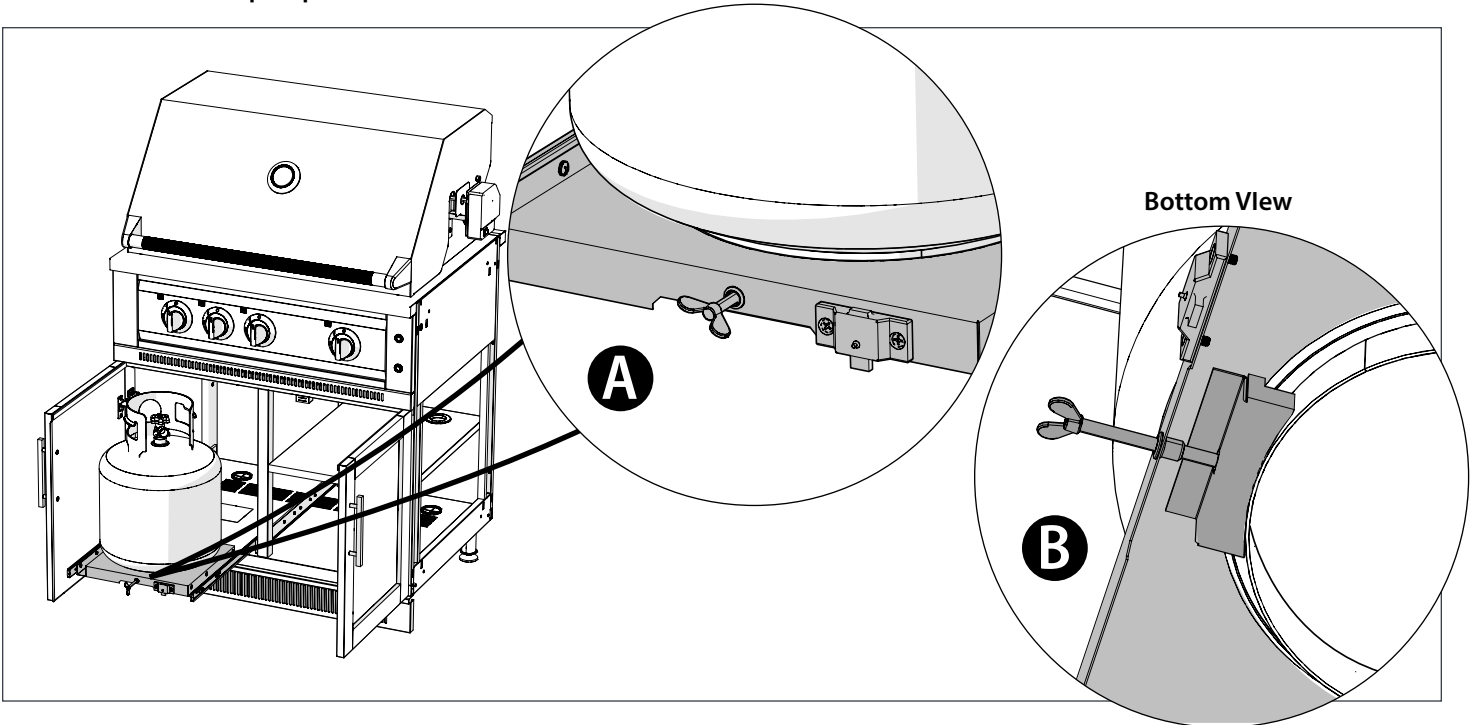


**1** Open the cabinet door, pull out the propane tank tray and place the Propane tank in the ring of the tray.

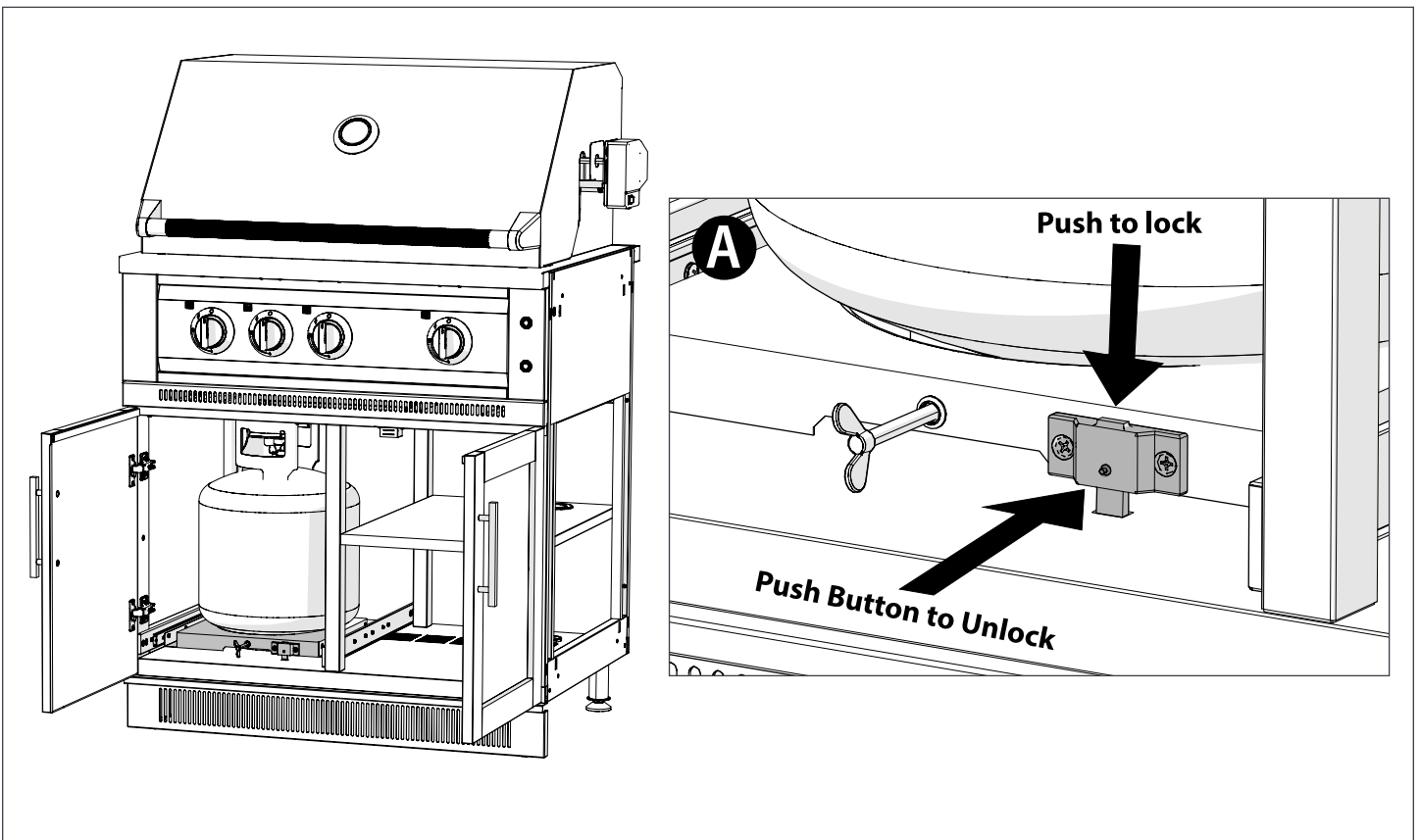


# Installing the Gas Tank

- 2** Turn the wing nut bolt(A) until the clamp engages (B) with the bottom of the ring to secure the propane tank.

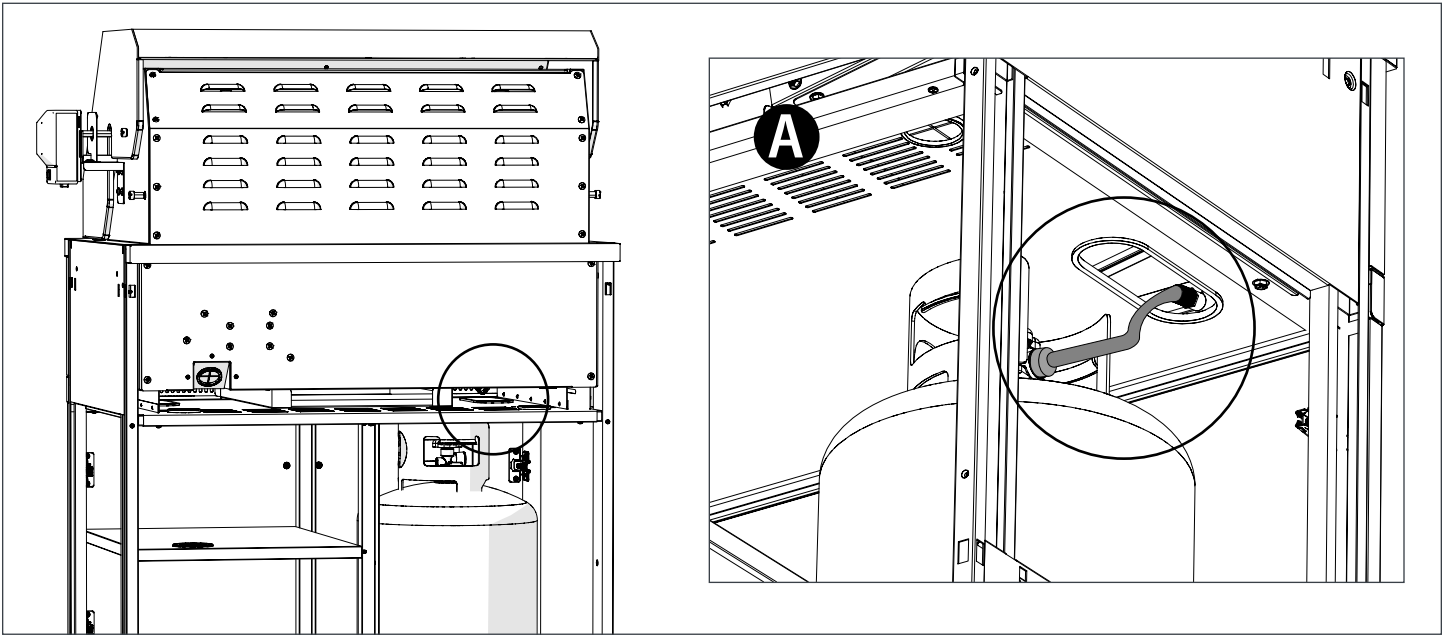


- 3** Push the tank and the tray carefully back to its original position. Lock the tank tray by pushing down the Lock(A). Push the release button to Unlock.

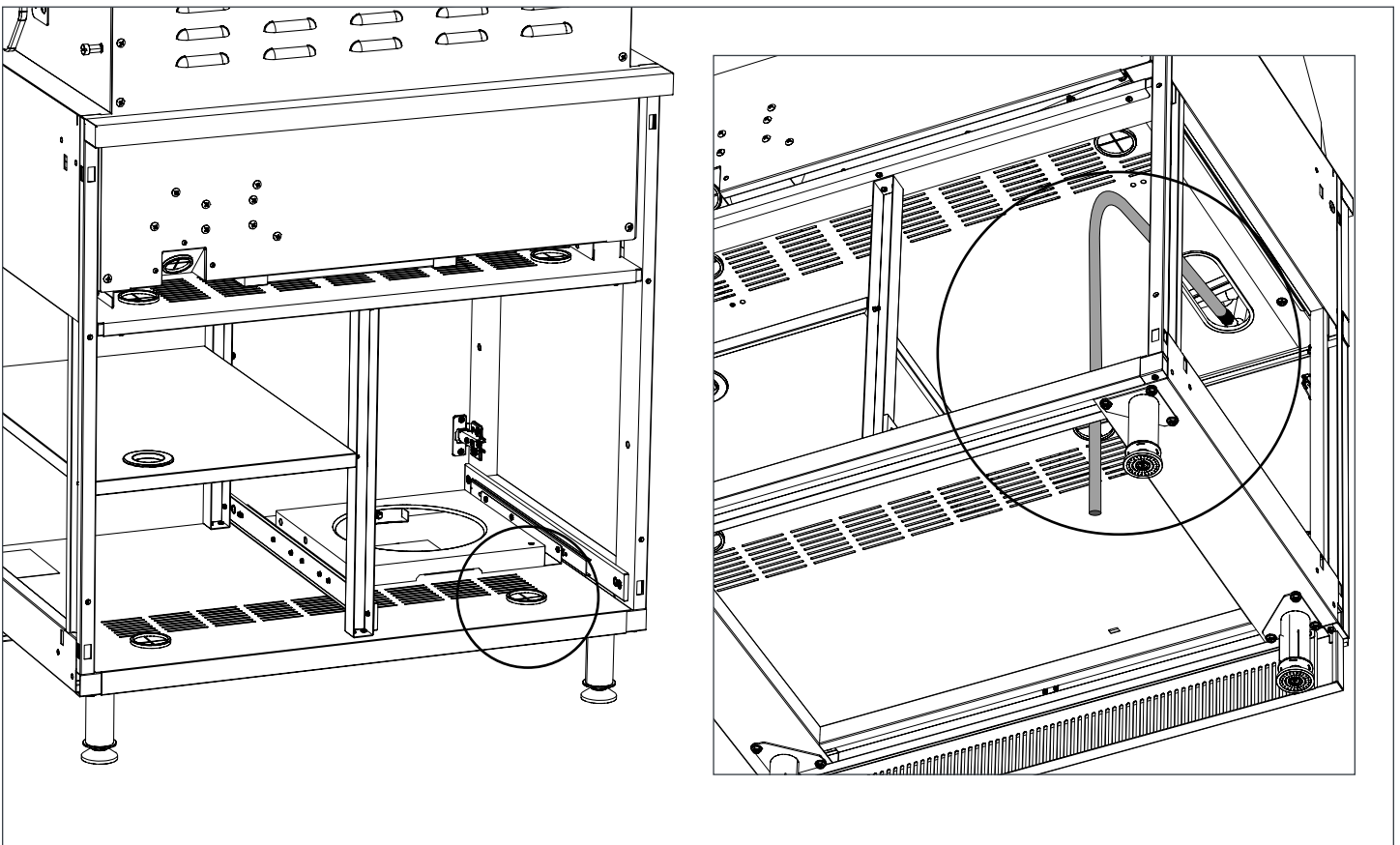


# Installing the Electrical and Gas Pipelines

- 1** Connect the gas line from the propane tank through the cabinet top hole(A).



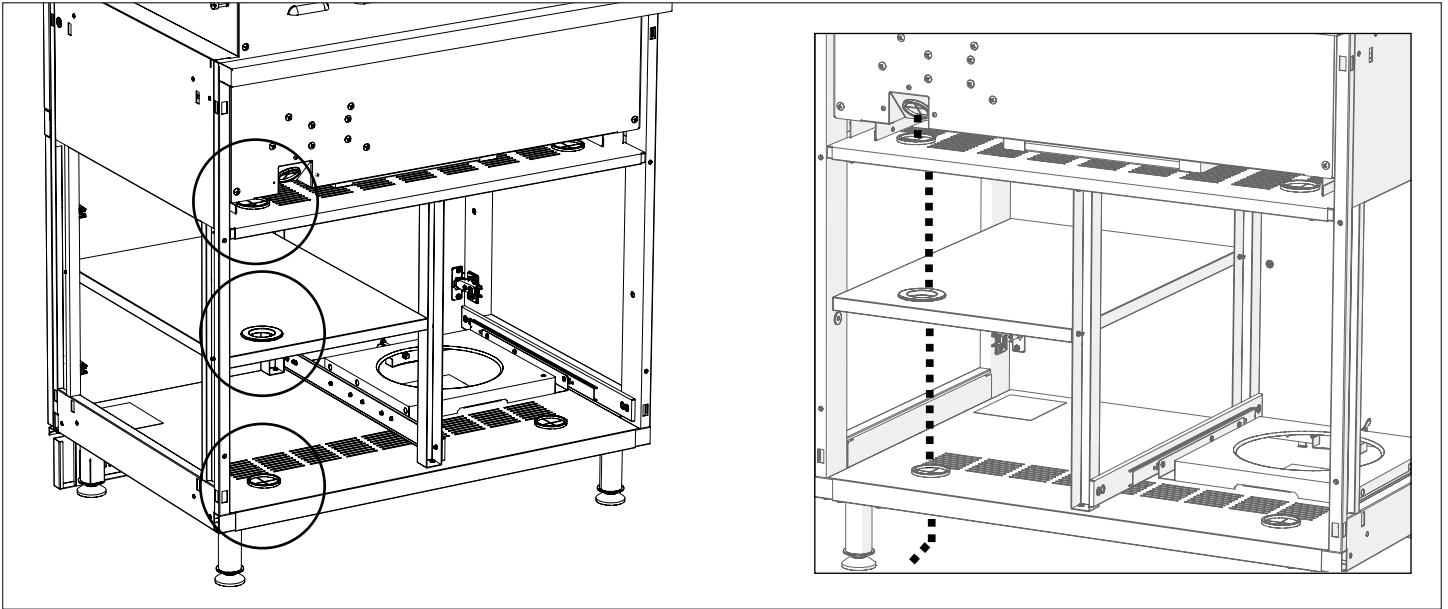
- 2** If using natural gas pipeline, use the holes and grommets mounted on the cabinet top and base as per your need.





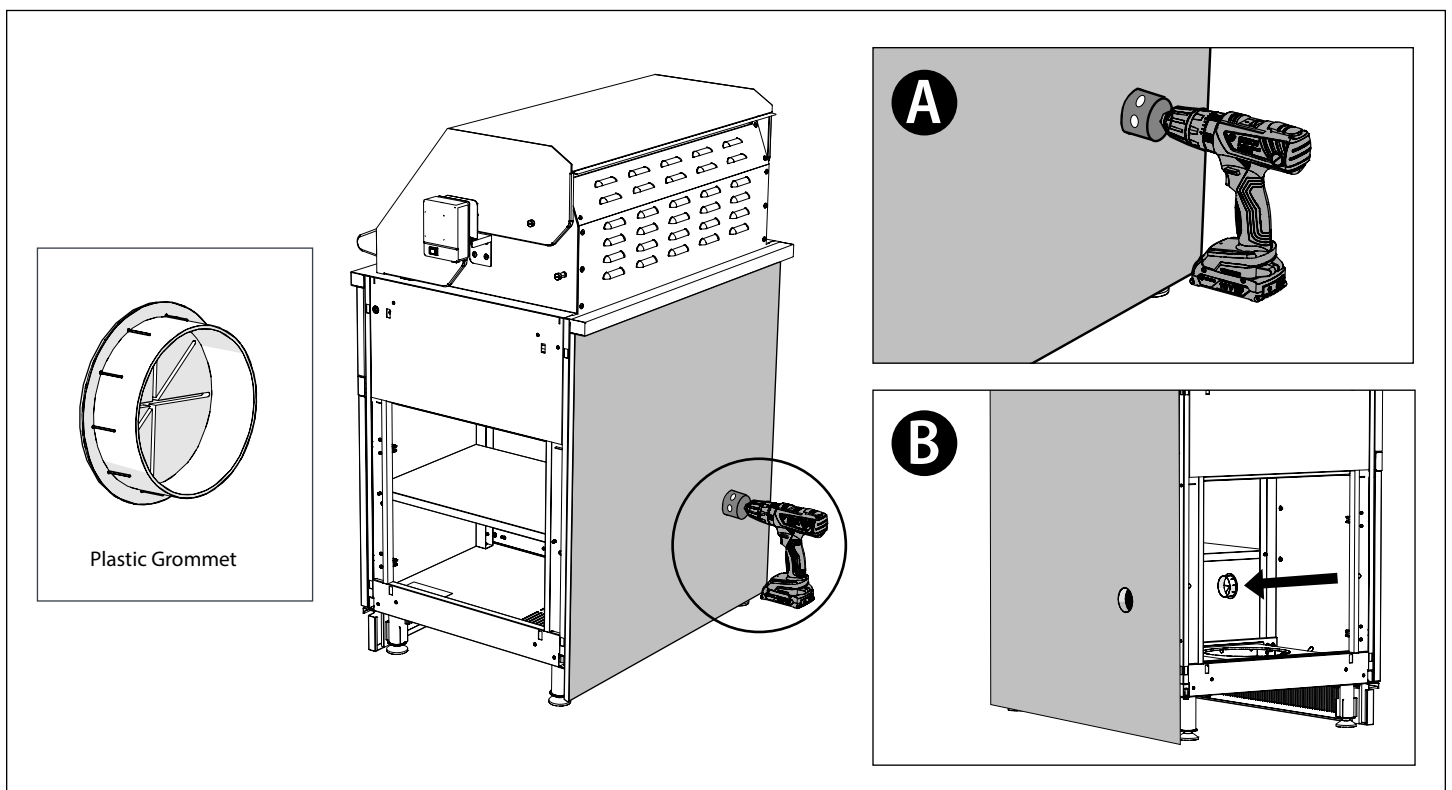
# Installing the Electrical and Gas Pipelines

- 3** Connect the electrical line from the Appliance to the power unit through the holes given as per your need.



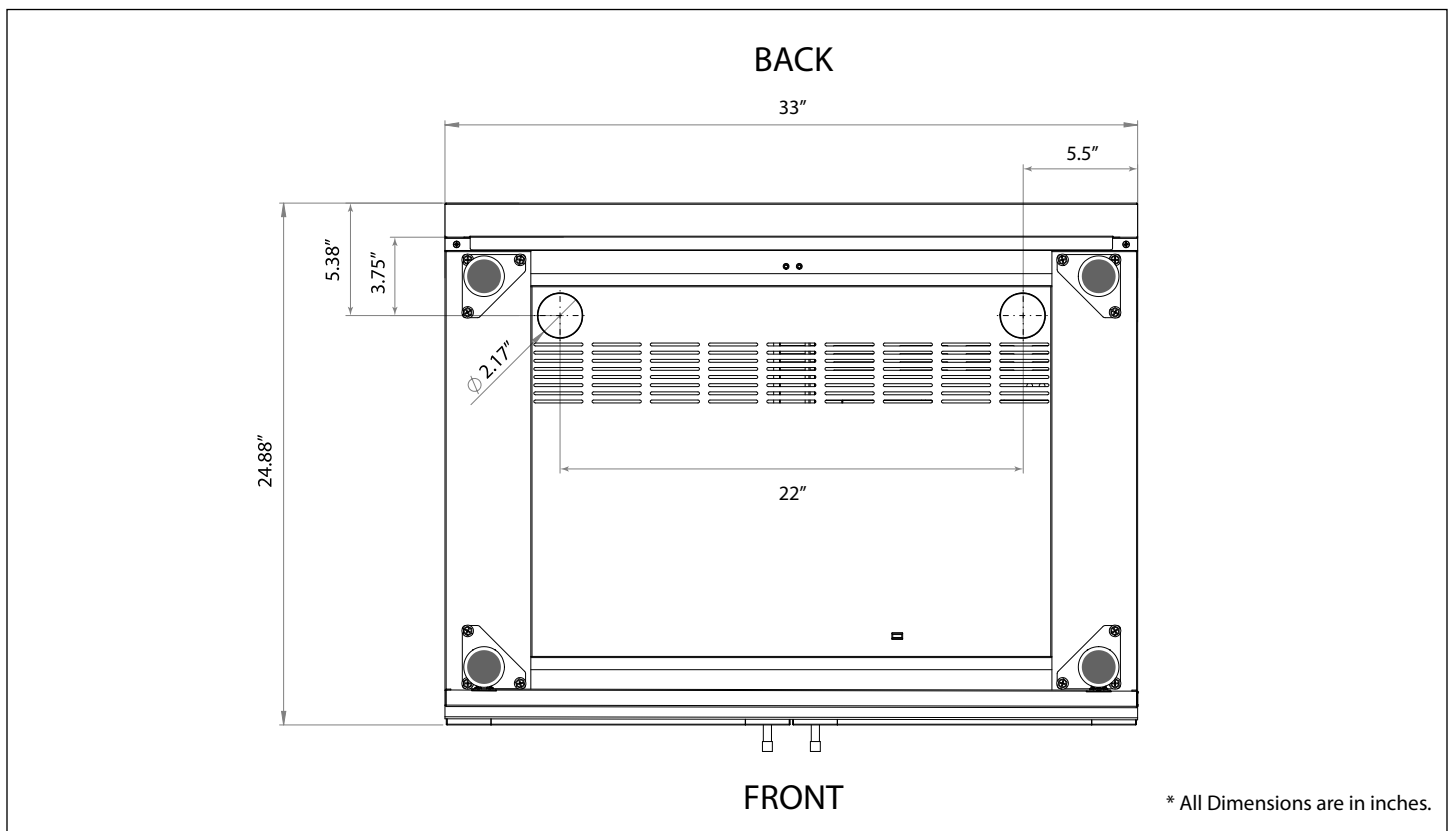
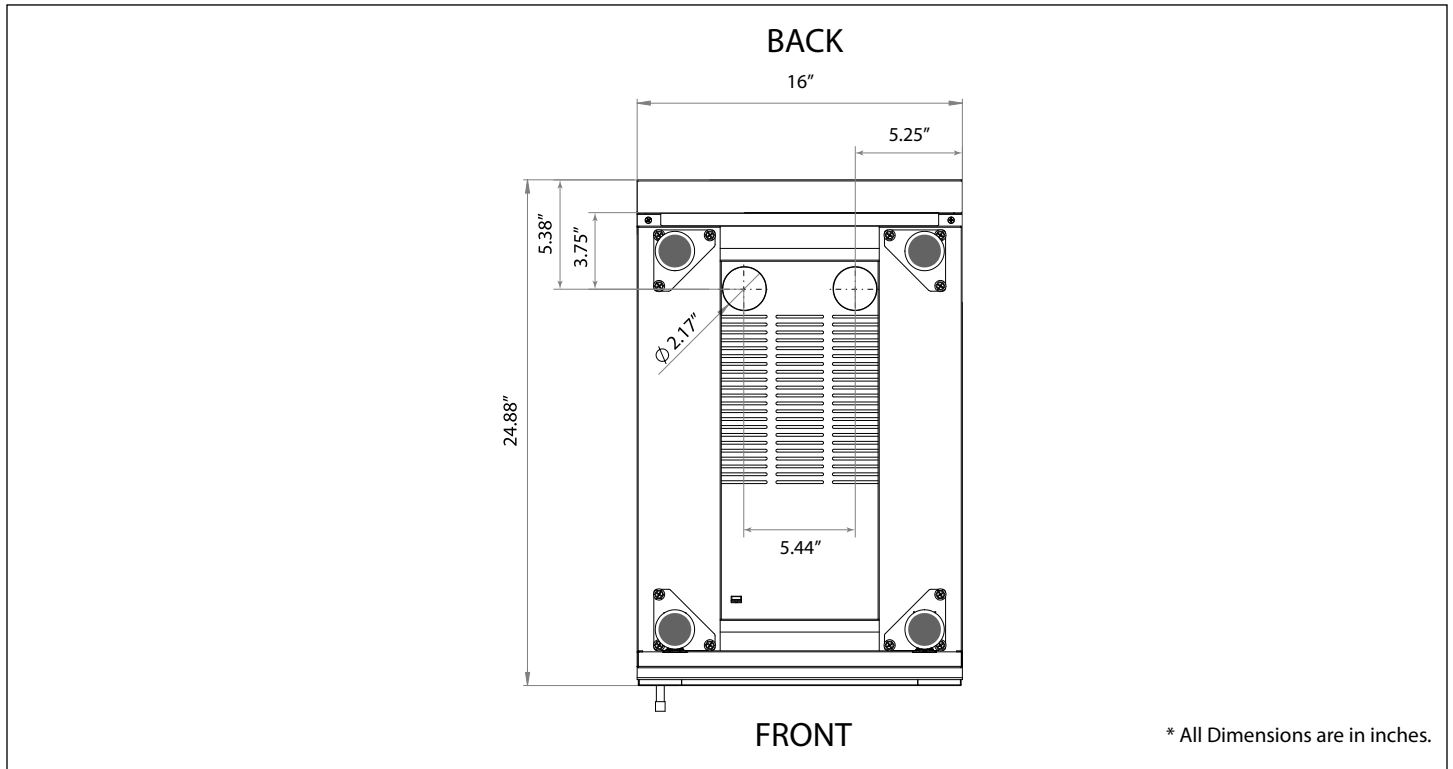
Additional expandable grommet provided incase you need to connect power and gas lines vertically through the Fiber Cement Back Panel and finishing stone.

- 4** Use a diamond hole saw (A) to cut through the fiber cement panel and finishing stone and install the additional expandable grommet(B) provided at an appropriate location as per your need for the passage of both electrical or gas pipelines.



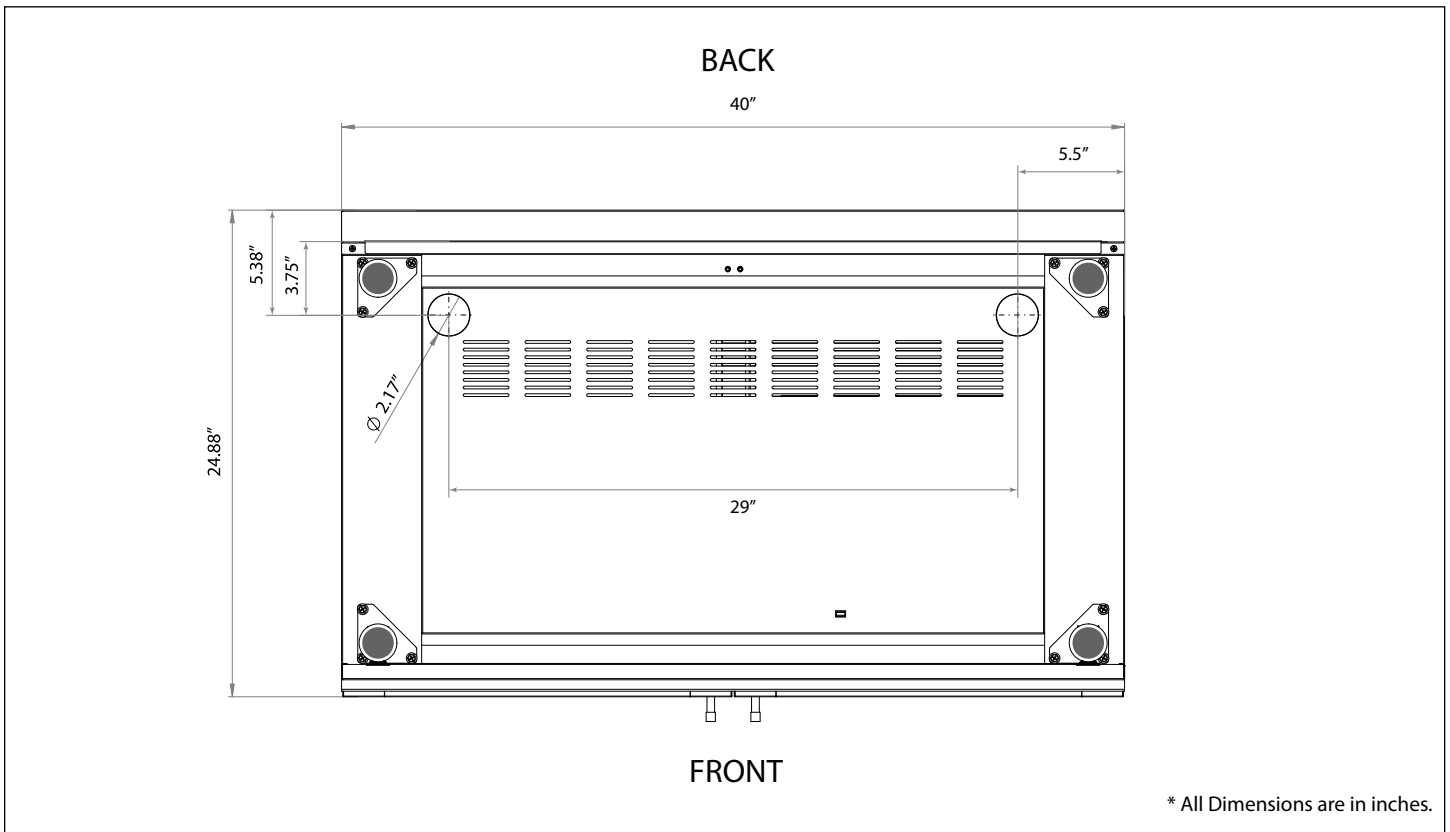
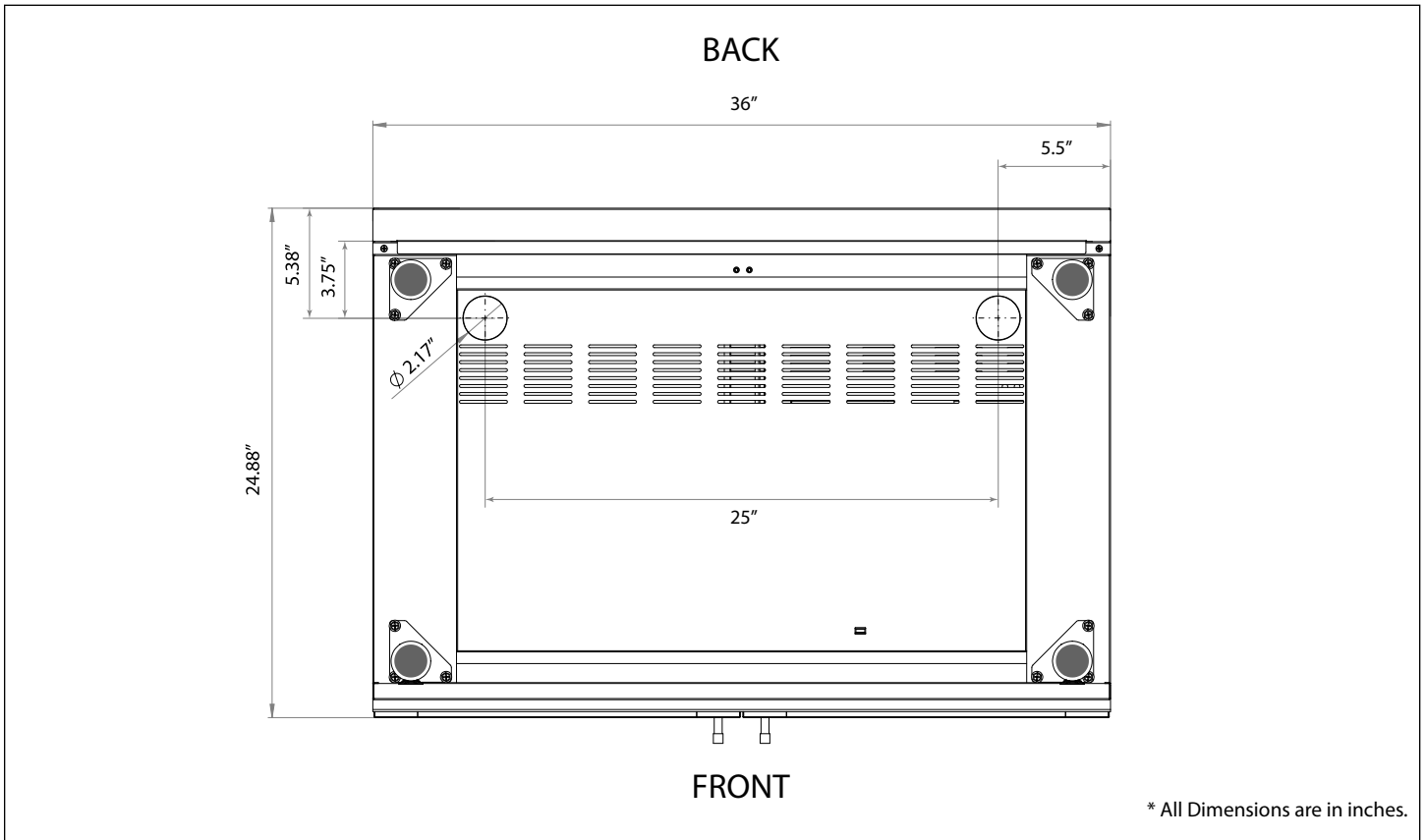
# Installing the Electrical and Gas Pipelines

**i NOTE :** The following diagrams show the bottom view of the Dual Side Burner Cabinet and the Insert Grill Cabinets to understand the location of the gas/electrical access holes at the bottom.



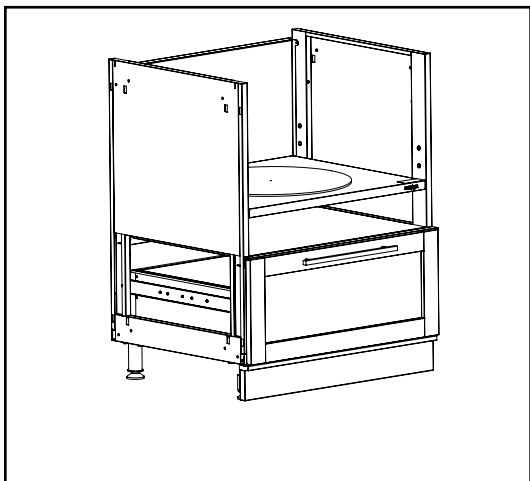


# Installing the Electrical and Gas Pipelines

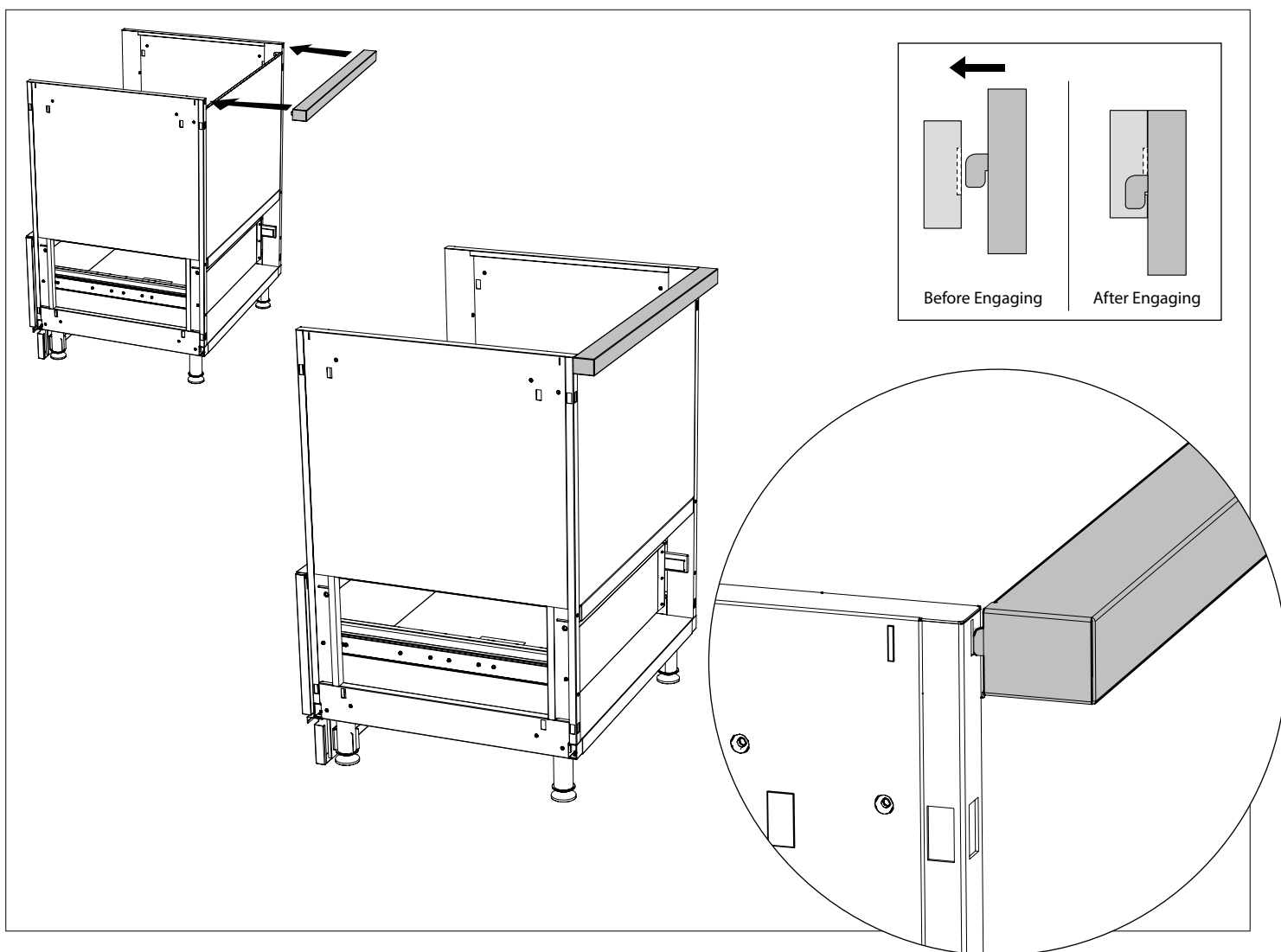


# Preparing the Kamado Cabinets

**i** The following instructions apply to the cabinet below.



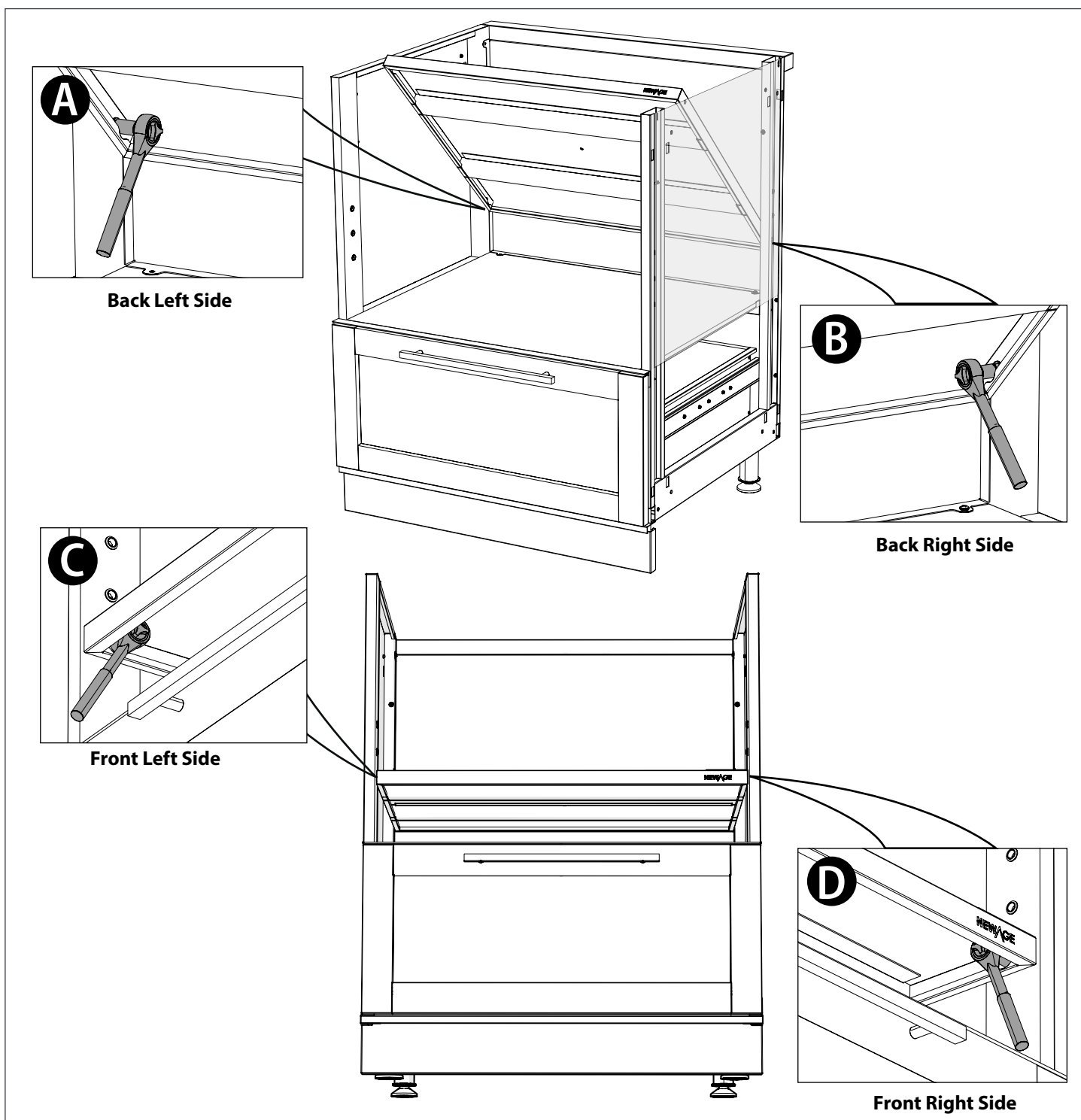
**1** Install the rear end cap on the cabinet by snap fitting it into the shown slots.



# Preparing the Kamado Cabinets

- 2** Tighten the bolts with a socket wrench on all four sides after fixing the height of the cabinet shelf. First lift the front side of the shelf and put the two bolts on the left and right back side of the cabinet (A,B). Then put the other two bolts on the left and right front side of the cabinet (C,D).

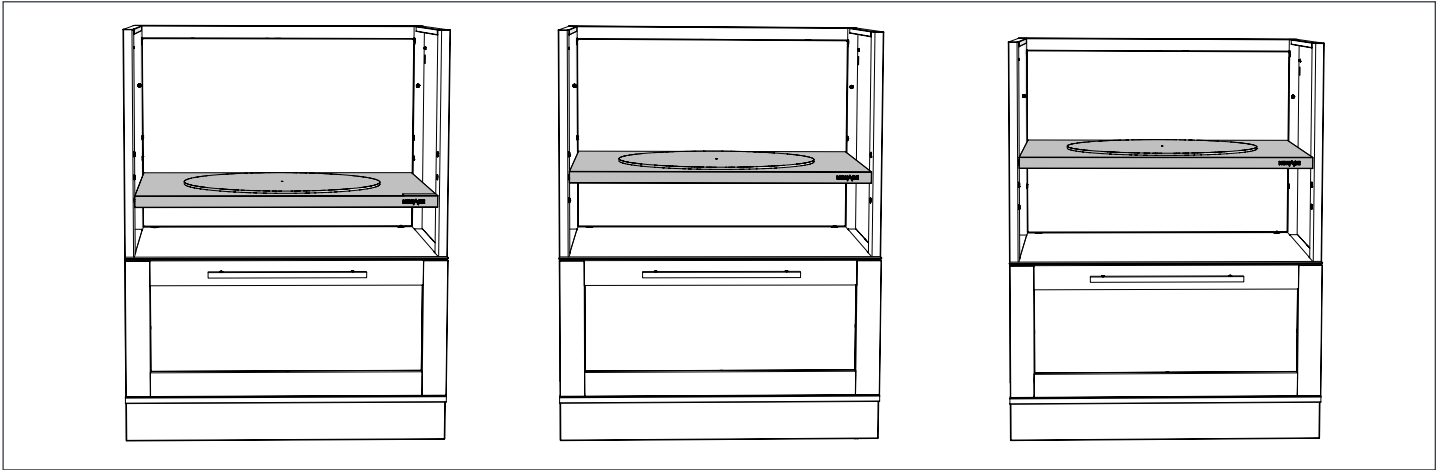
**i NOTE :** The cabinet comes with the shelf installed and it can be adjusted as per instructions given in this STEP.



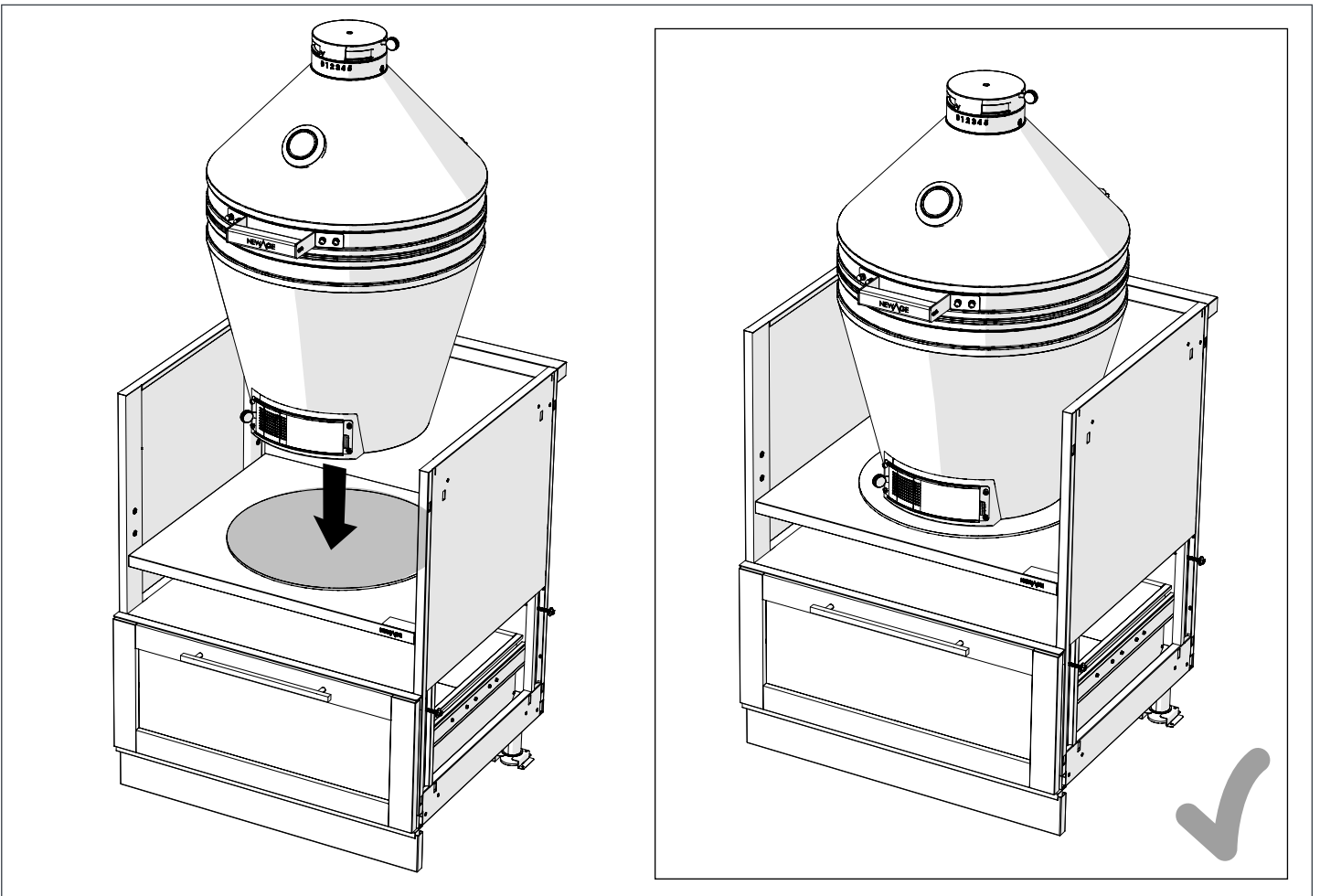
# Preparing the Kamado Cabinets

**3** Adjust the height of the cabinet shelf as per your need by removing and fixing the bolts attached as per the previous STEP.

**i NOTE :** For the NewAge Kamado Grill the shelf should be adjusted at the lowest position. The higher positions are for the smaller size Kamado grills.



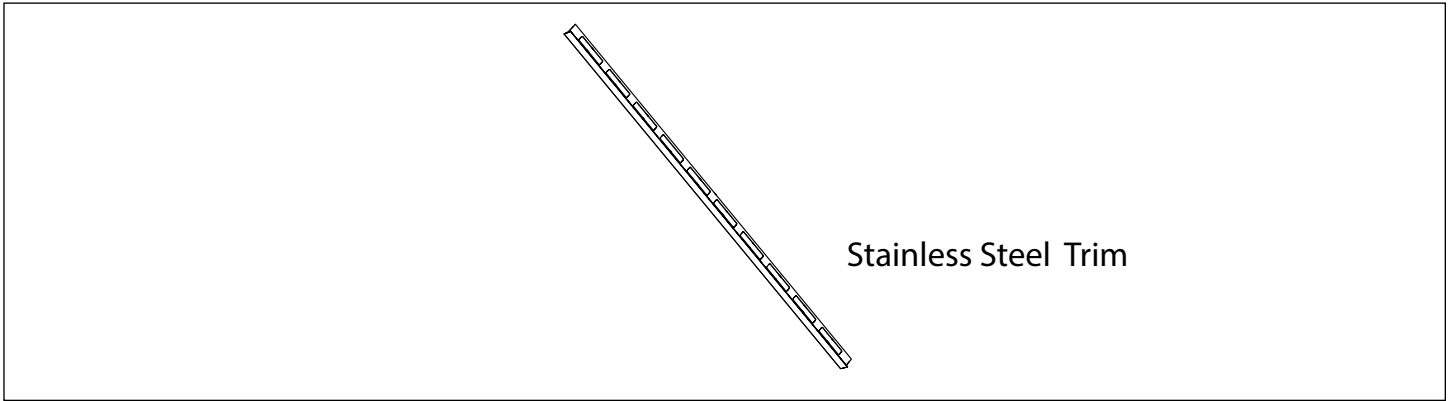
**4** Place the Honey Comb mat on top of the cabinet shelf and then place the Kamado Grill on it.



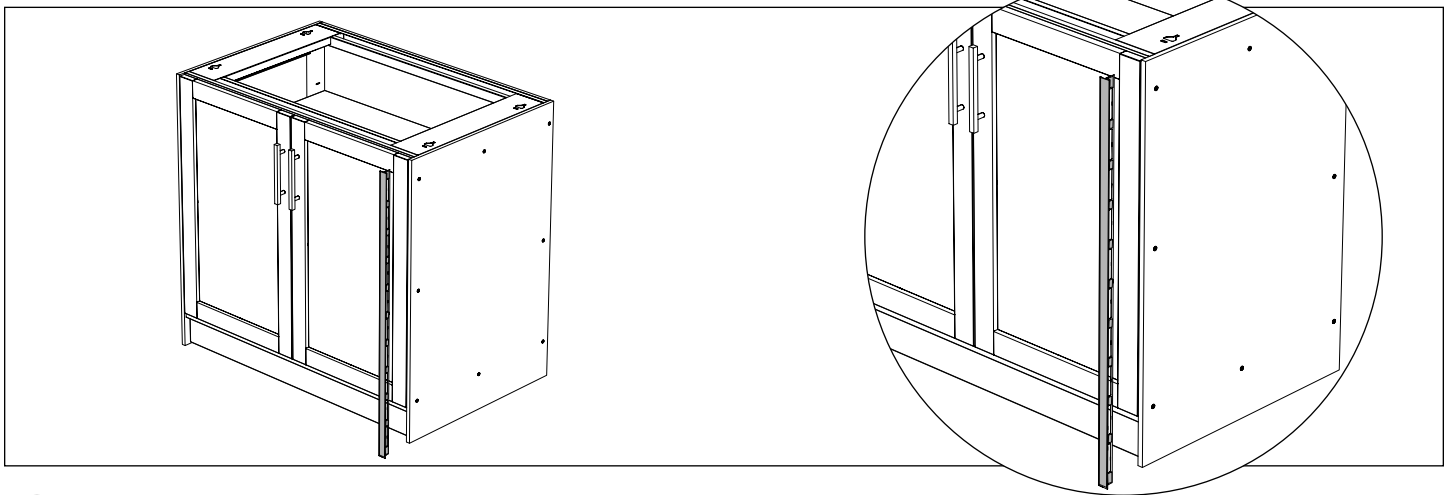
# **INSTALLING TRIM FOR FIBER CEMENT PANELS**

# Trim for Fiber Cement Panels

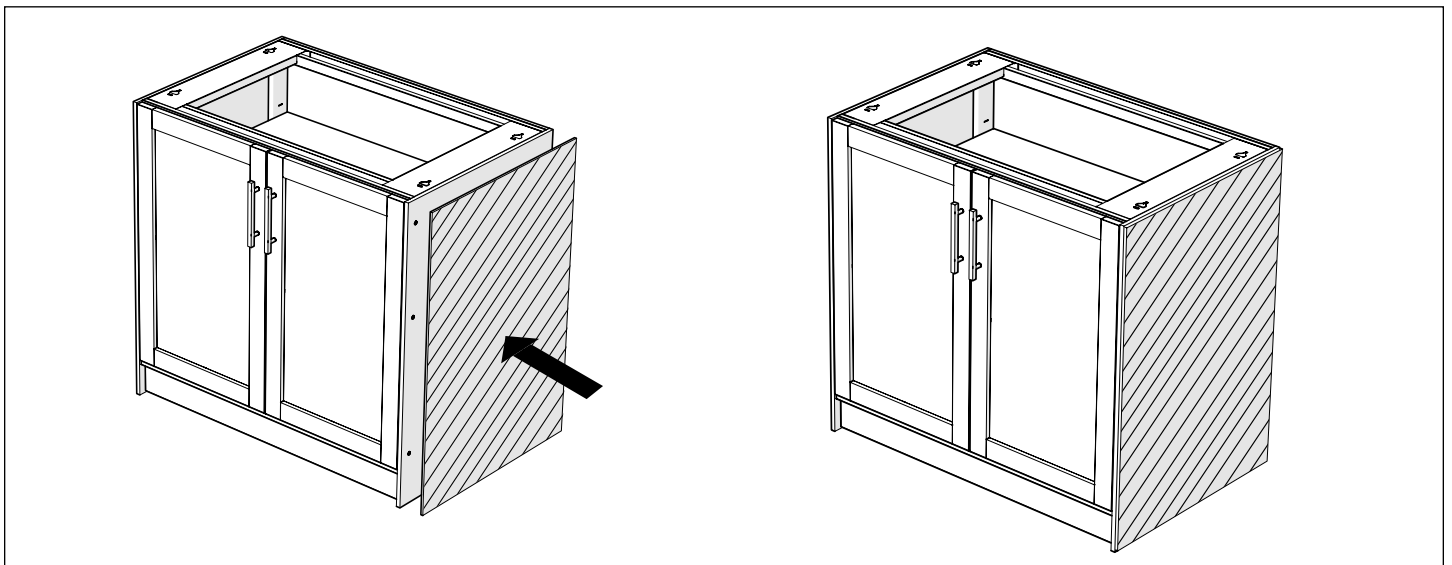
## **i** Parts Needed.



**1** The trim is used to cover the exposed cut edge of the Fiber Cement Panel

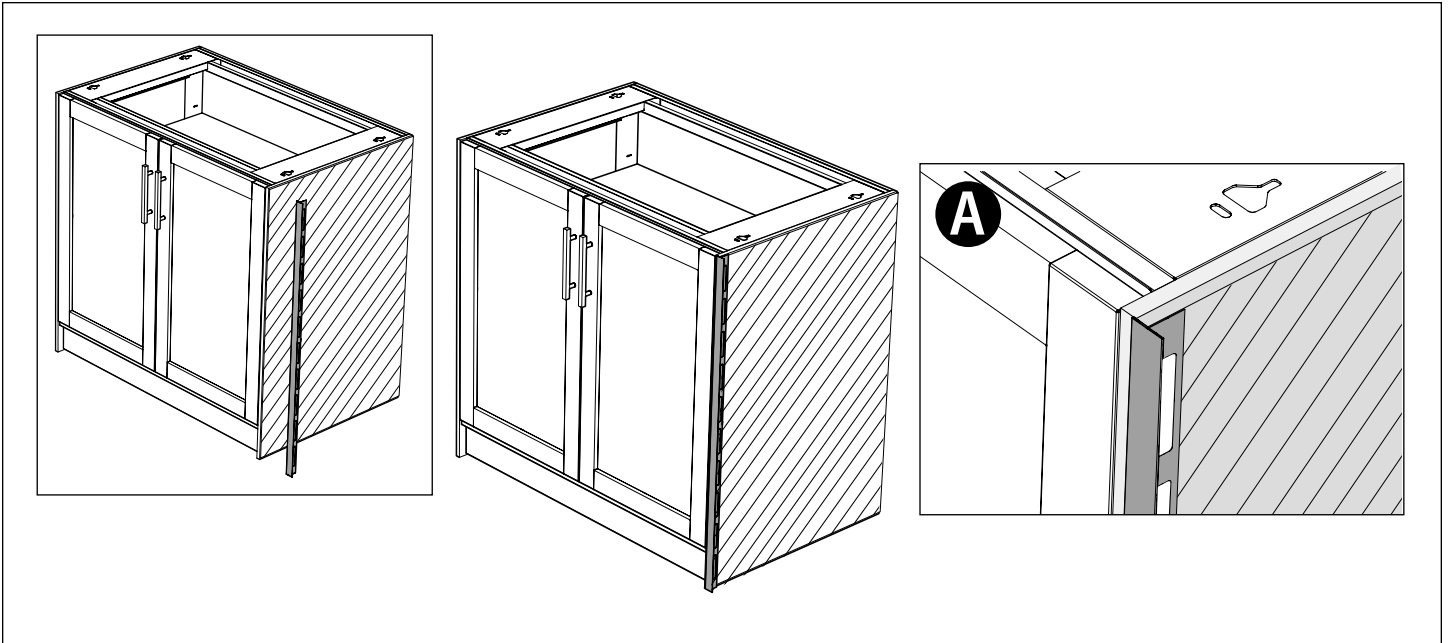


**2** First Apply the mortar layer evenly over the Fiber Cement Panel.

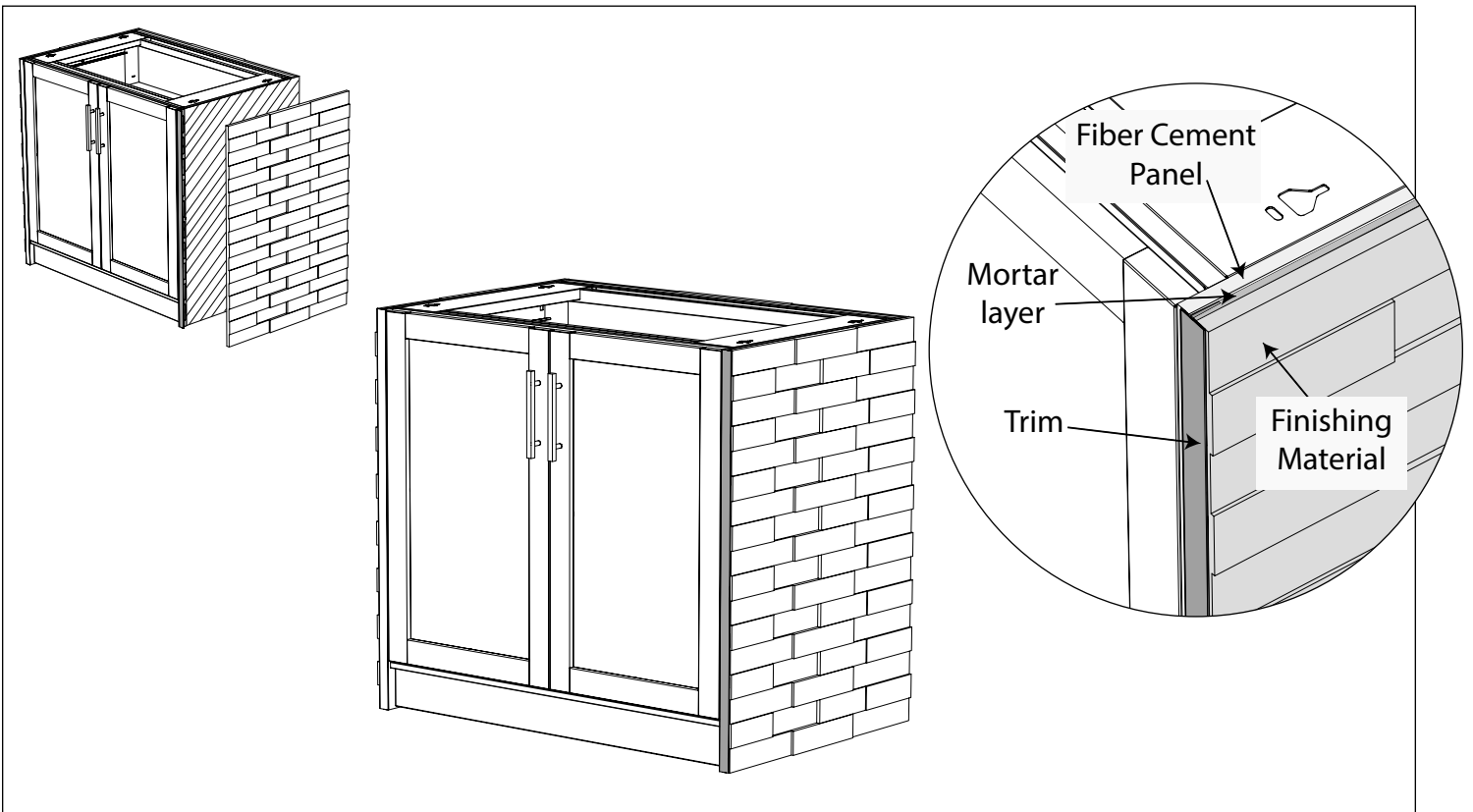


# Trim for Fiber Cement Panels

- 3** Press the trim over the mortar layer(A). Ensure the trim is pushed well enough to secure itself.



- 4** Apply the natural stone or any other finishing materials such as tiles on top of the mortar layer after placing the trim in place. Ensure the trim is aligned properly

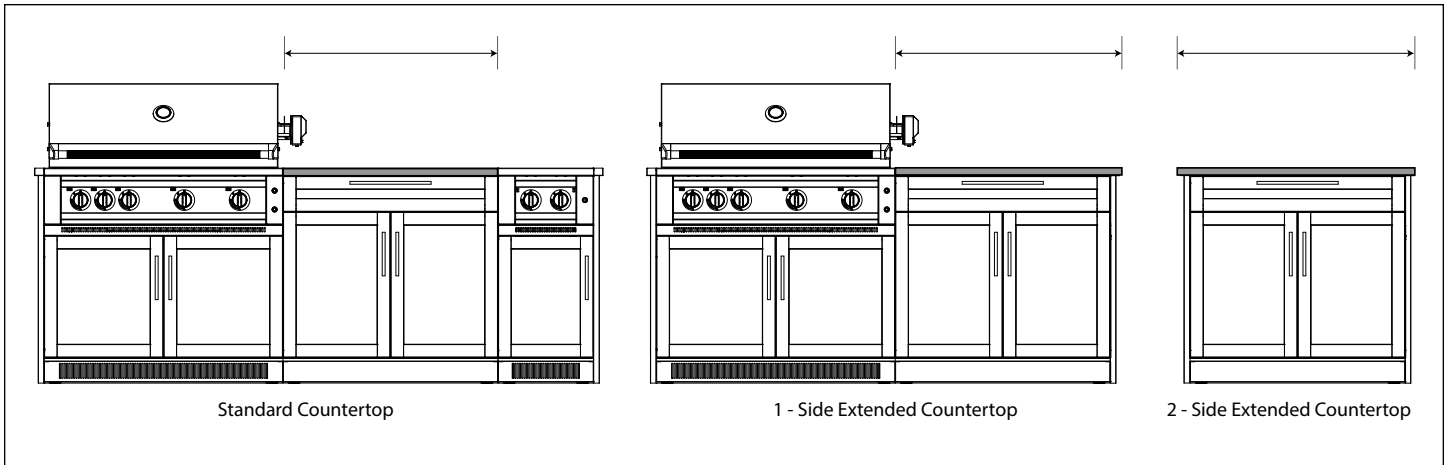
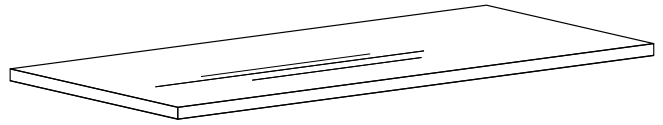
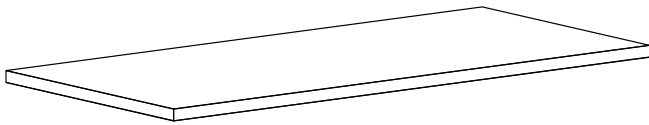


# **INSTALLING THE COUNTERTOPS**

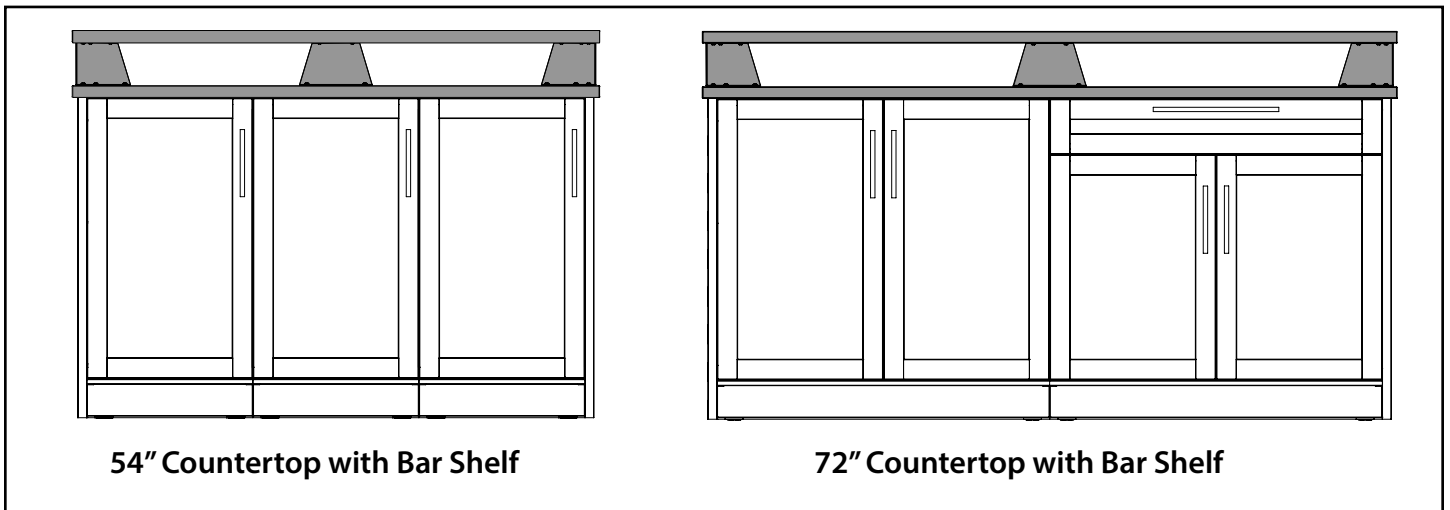
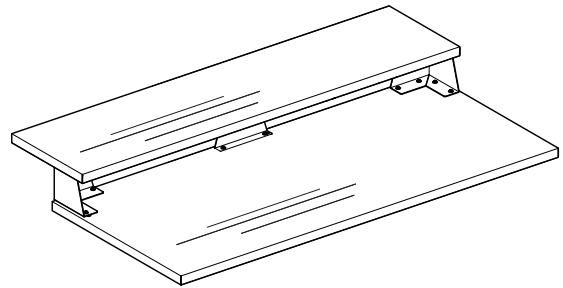
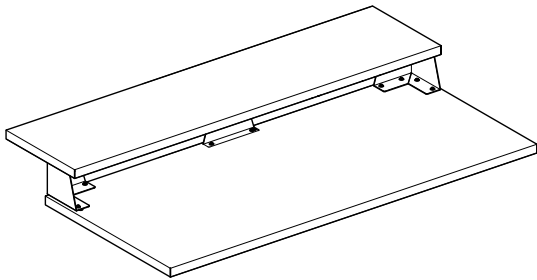


# Countertop Overview

## Regular Countertop (Stainless Steel & Granite)



## Countertop with Bar shelf (Stainless Steel & Granite)




# Countertop Overview

## Countertop Sizes (Stainless Steel & Granite)

S.No.	Description	Product Width (IN)	Product Depth (IN)	Product Height (IN)
1	18" COUNTERTOP STANDARD	18	25.5	1.25
2	18" COUNTERTOP 1 - SIDE EXTENDED	19.6	25.5	1.25
3	18" COUNTERTOP 2 - SIDE EXTENDED	21.2	25.5	1.25
4	36" COUNTERTOP STANDARD	36	25.5	1.25
5	36" COUNTERTOP 1 - SIDE EXTENDED	37.6	25.5	1.25
6	36" COUNTERTOP 2 - SIDE EXTENDED	39.2	25.5	1.25
7	54" COUNTERTOP STANDARD	54	25.5	1.25
8	54" COUNTERTOP 1 - SIDE EXTENDED	55.6	25.5	1.25
9	54" COUNTERTOP 2 - SIDE EXTENDED	57.2	25.5	1.25
10	54" COUNTERTOP 2 - SIDE EXTENDED WITH BAR SHELF	57.2	33.5	7.25
11	60" COUNTERTOP STANDARD	60	25.5	1.25
12	60" COUNTERTOP 1 - SIDE EXTENDED	61.6	25.5	1.25
13	72" COUNTERTOP STANDARD	72	25.5	1.25
14	72" COUNTERTOP 1 - SIDE EXTENDED	73.6	25.5	1.25
15	72" COUNTERTOP 2 - SIDE EXTENDED	75.2	25.5	1.25
16	72" COUNTERTOP 2 - SIDE EXTENDED WITH BAR SHELF	75.2	33.5	7.25
17	90° CORNER COUNTERTOP	26.4	26.4	1.25
18	45° CORNER COUNTERTOP	23.6	22.2	1.25

## Granite Color Options

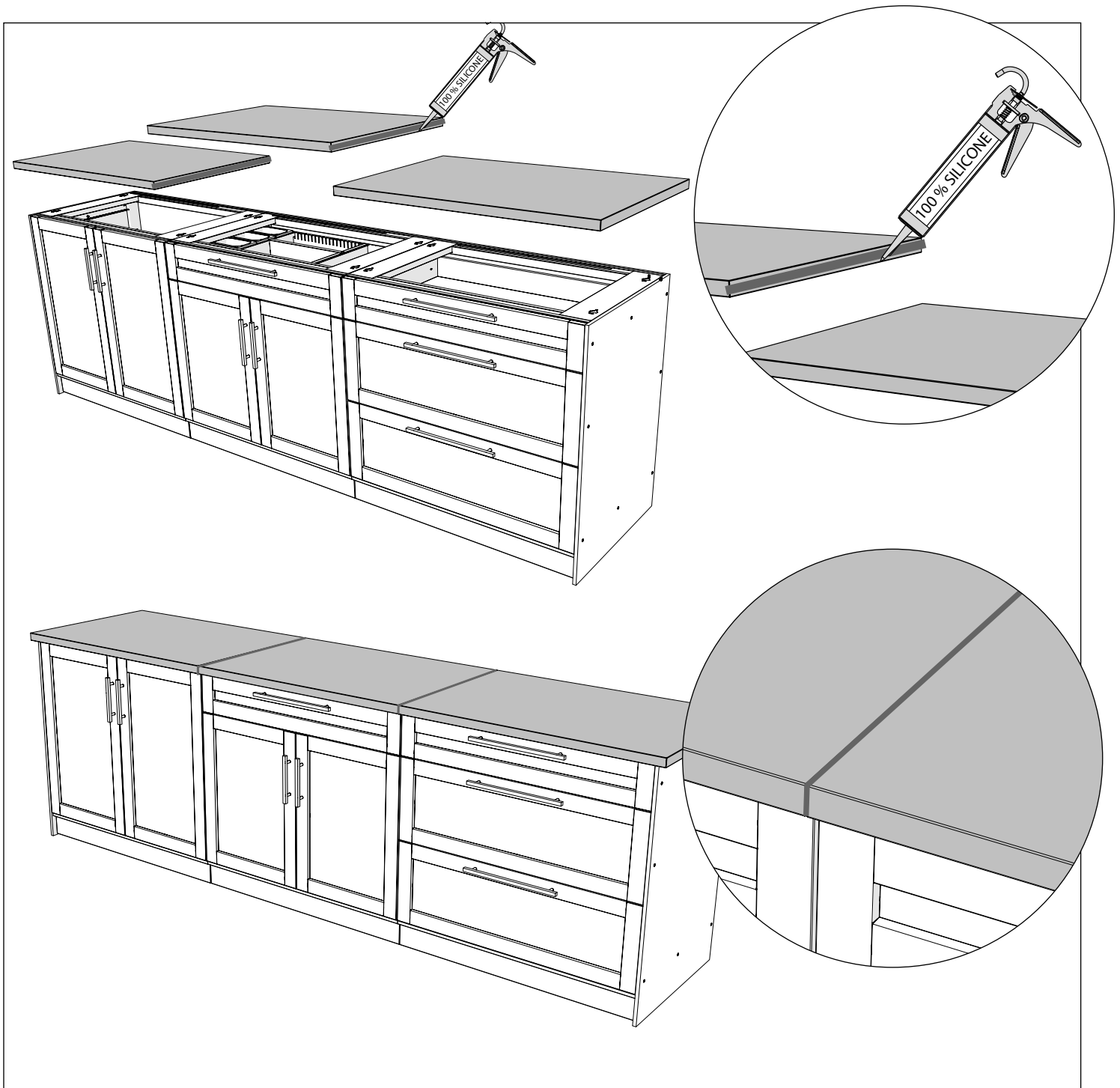
 **NOTE :** The Granite Countertops are available in 3 color and finish options across all the sizes mentioned in the previous table.

S.No.	Description
1	White Pearl Granite Countertops
2	Black Galaxy Granite Countertops
3	Gold Sand Granite Countertops

# Installing the Countertops

**i NOTE :** It is recommended to install the countertops before applying the stone finish on the Fiber Cement Panels.

**i NOTE :** Ensure to apply silicone sealant using a caulking gun on the side of the countertops (between the two countertops or the countertop and appliance or sink cabinet) to avoid any kind of spillage from the countertop surface to the inside of the cabinets shown in the illustrations below.

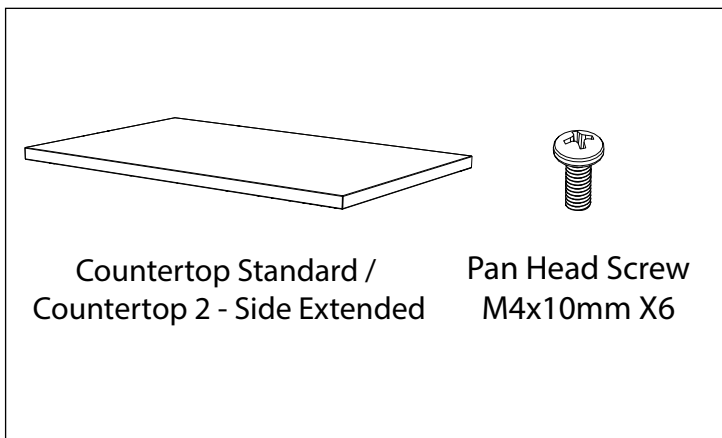


# Installing the Regular Countertops

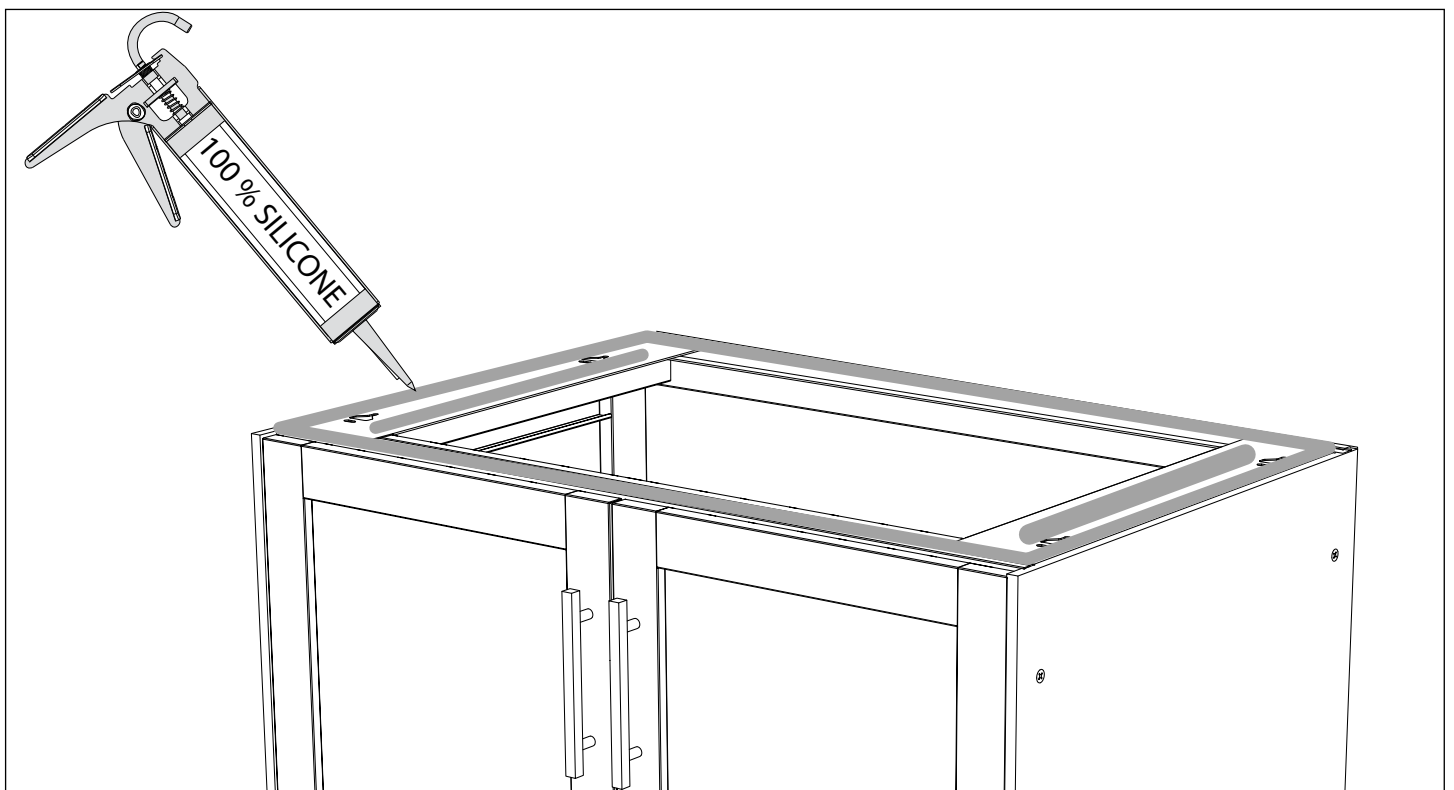
**i** **NOTE** : It is recommended to install the countertops before applying the stone finish on the Fiber Cement Panels.

## Standard / Two side extended Stainless steel Regular Countertop

**i** Parts Needed.



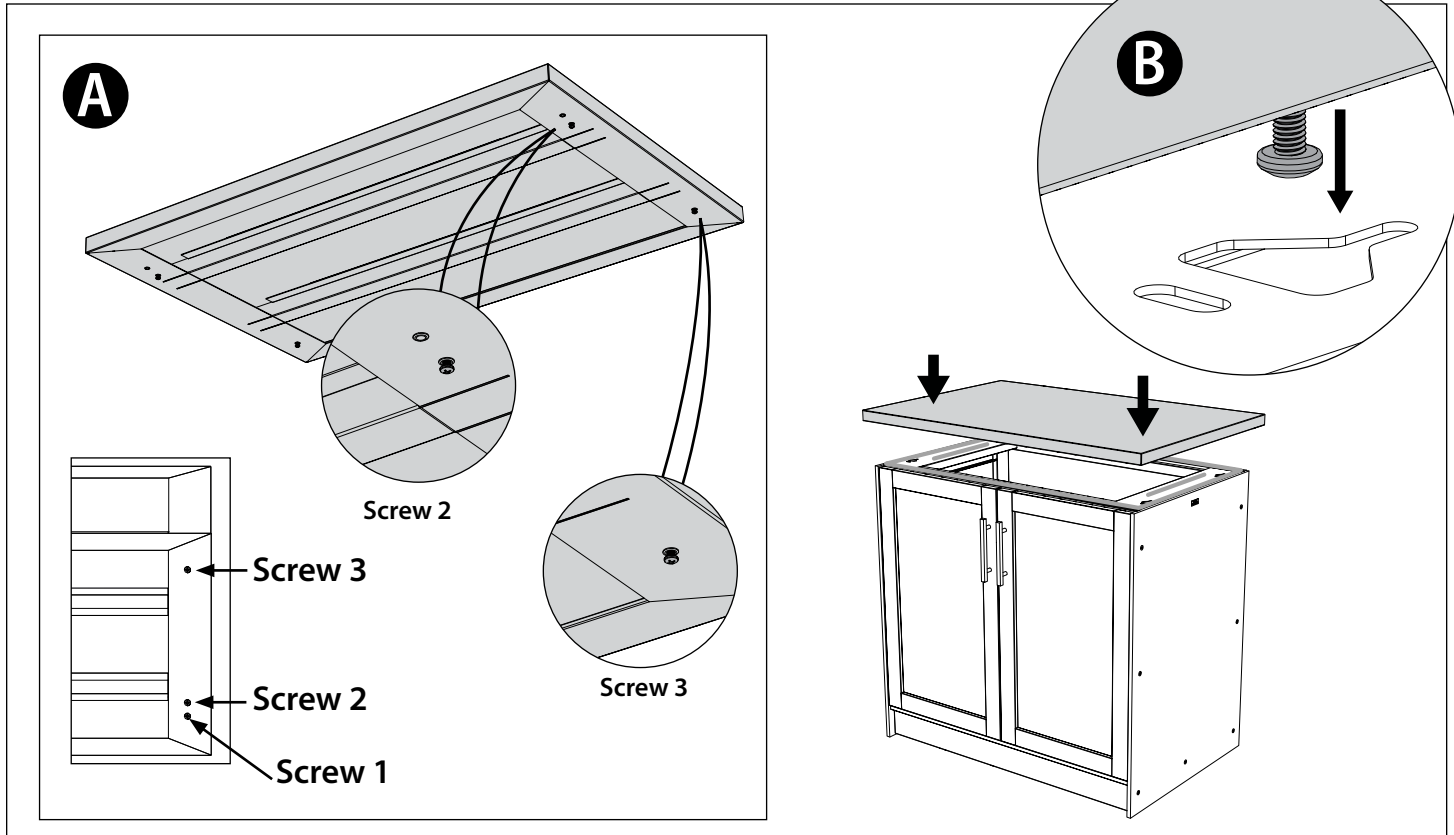
**1** It is recommended to apply Silicone Sealant using a caulking gun on top of the cabinet edges to avoid any kind of spillage from the countertop surface to the inside of the cabinet.



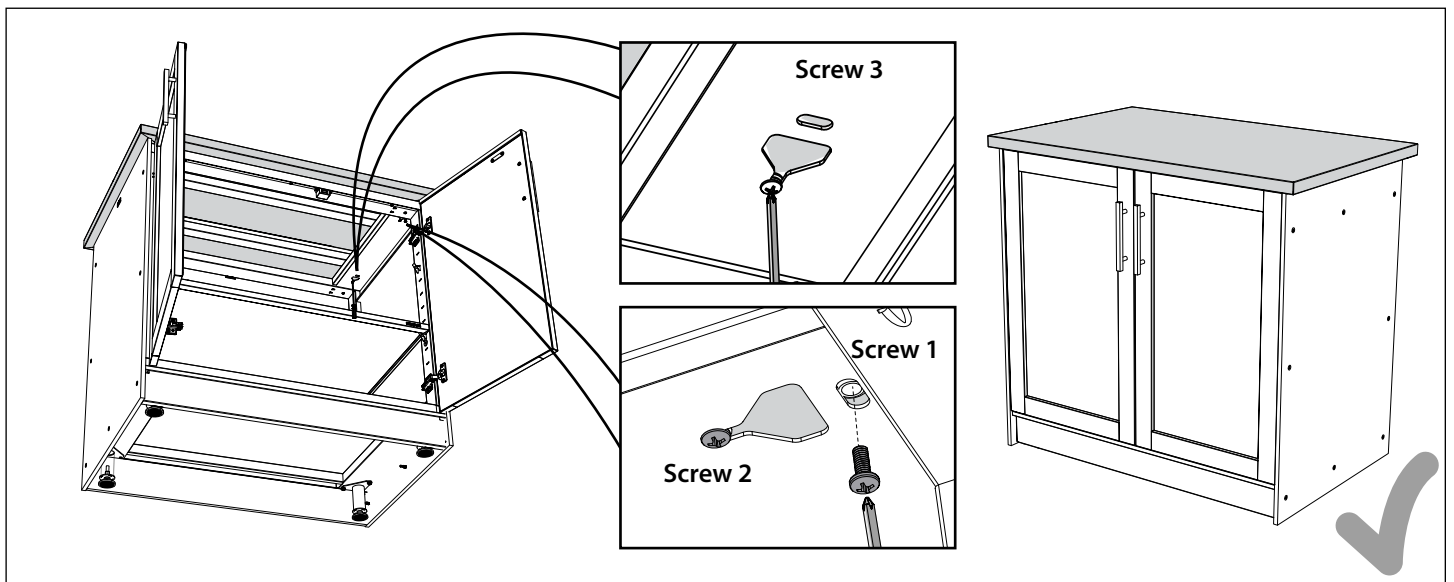
# Installing the Regular Countertops

Now partially unscrew the Screws 2 and 3 as shown (A) on both the sides. Make sure screw 1 is completely unscrewed.

- 2** Now gently place the countertop on top of the cabinet and guide the screw 2 and screw 3 through the slots mounted on each side of the cabinet (B). Then push the countertop backwards to engage the screws in the slots.



- 3** Now tighten the screw 2 and screw 3 from underneath the cabinet on both the sides and add the screw 1 on both the sides to secure the countertop.

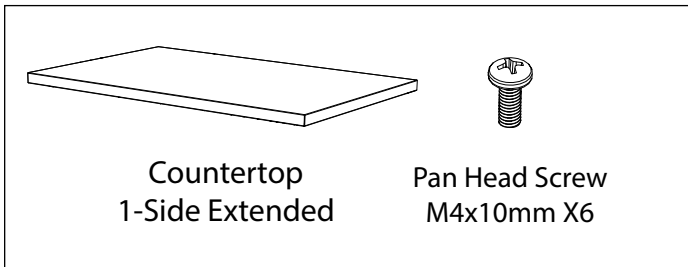


# Installing the Regular Countertops

## One side extended Stainless steel Countertop

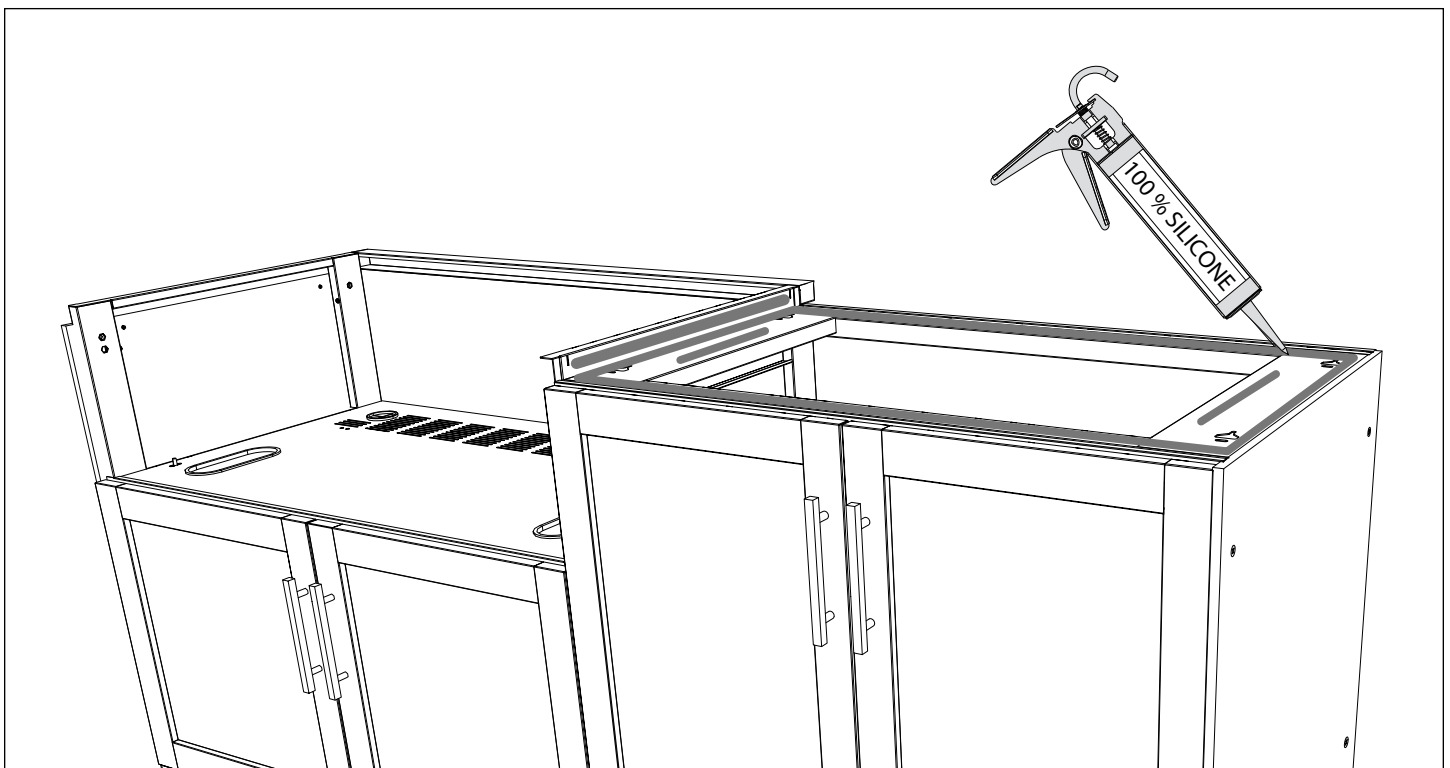
**i** **NOTE** : The one side extended countertops are used for the cabinets at the end of a set.

**i** Parts Needed.



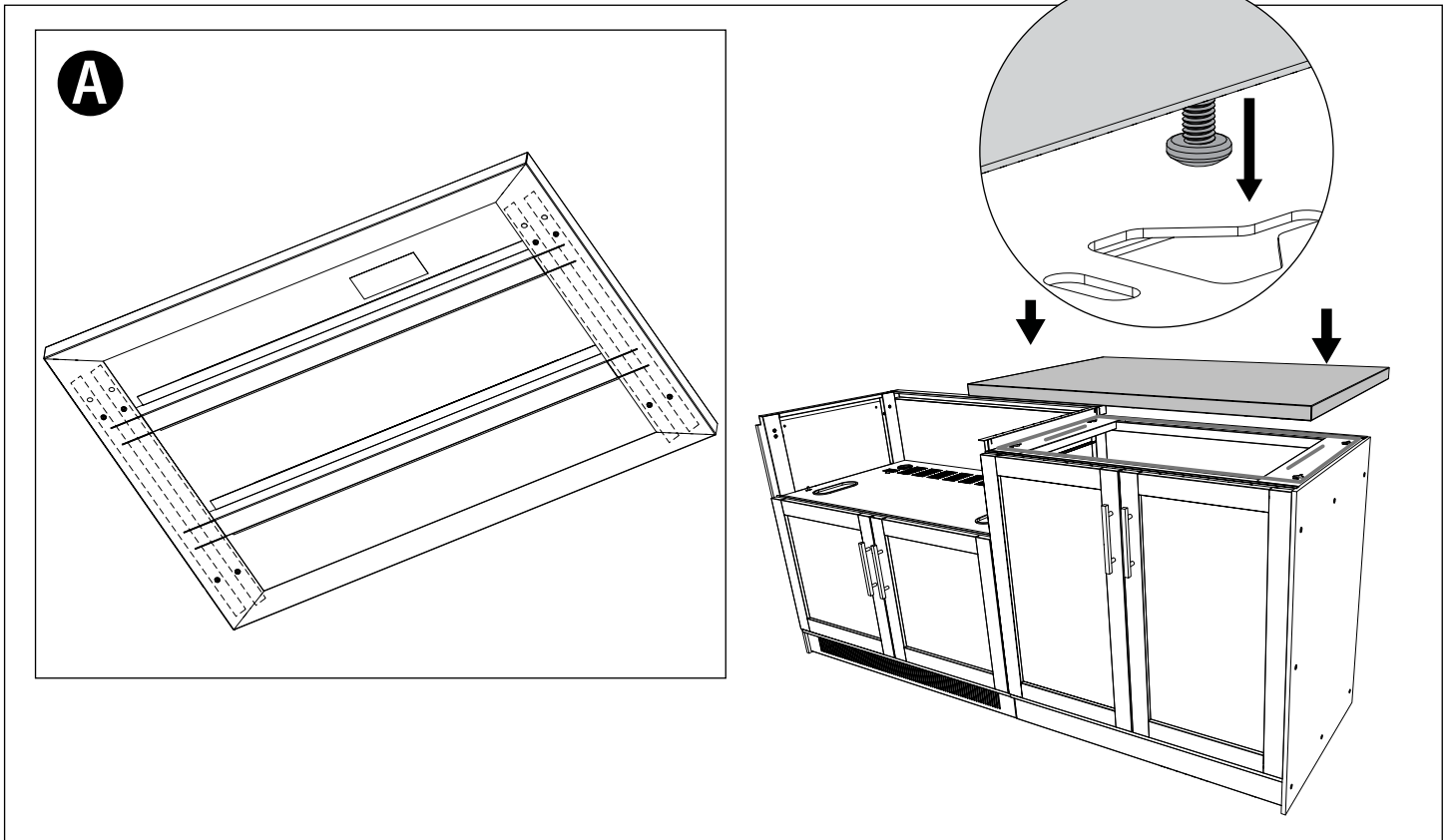
**1** It is recommended to apply Silicone Sealant using a caulking gun on the top of the cabinet edges to avoid any kind of spillage from the countertop surface to the inside of the cabinet.

**i** **NOTE** : Ensure to apply silicone sealant using a caulking gun on the side of the countertops (between countertop and appliance or sink cabinet) to avoid any kind of spillage from the countertop surface to the inside of the cabinets shown in the illustrations below.

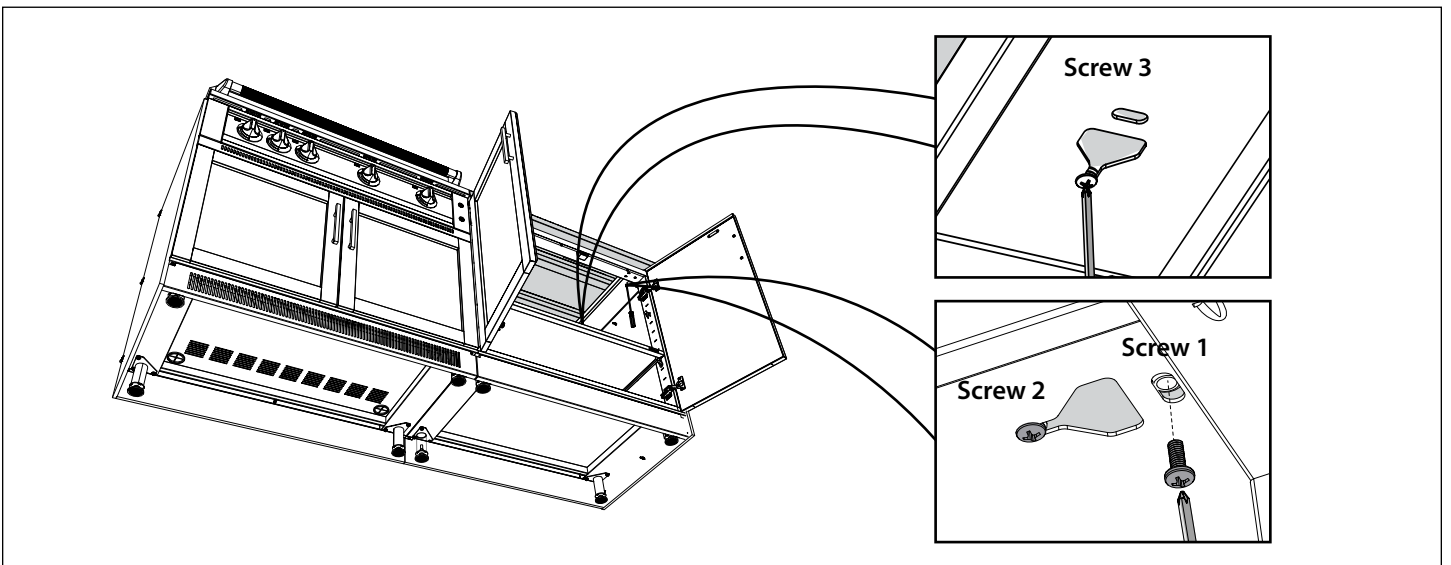


# Installing the Regular Countertops

- 2** For One side extended countertops there are two sets of holes on both sides of the countertop bottom (A). Depending on the side for the countertop overhang, place the countertop on top of the cabinet and follow the same instructions as the Standard and 2 -Side Extended countertops.



- 4** Tighten the screw 2 and screw 3 from underneath the cabinet on both the sides and add the screw 1 on both the sides to secure the countertop.

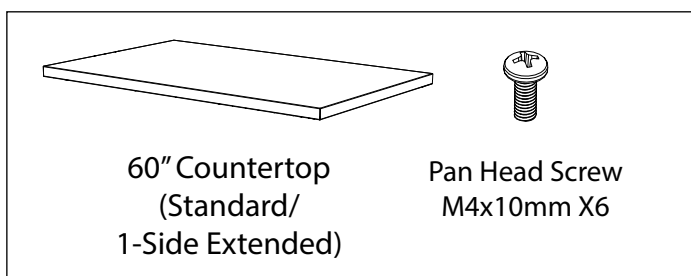


# Installing the Regular 60" Countertops with Fridge

**i** It is mandatory that there is always a 36in cabinet installed next to the 24in fridge to install countertop or the fridge is located between two 18in cabinets.  
You can choose between the 60in standard or 1-side extended countertops depending on the set configuration.

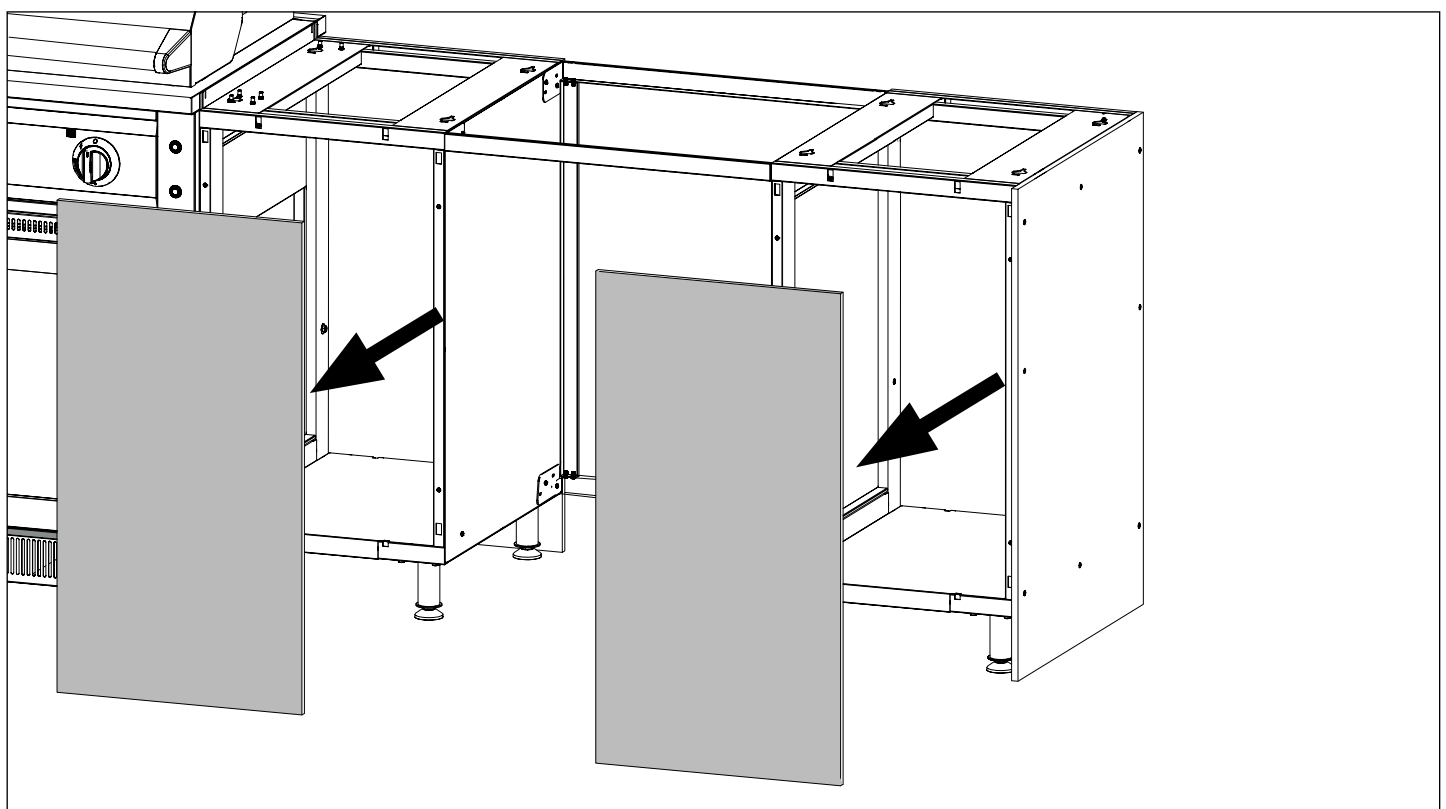
## Option 1 : 18" Cabinet + 24" Fridge + 18" Cabinet

**i** Parts Needed.



**i** NOTE : Ensure the Fridge Bracket is mounted first before installing the countertop.  
Follow the instructions for the same in the Fridge Bracket Section above.

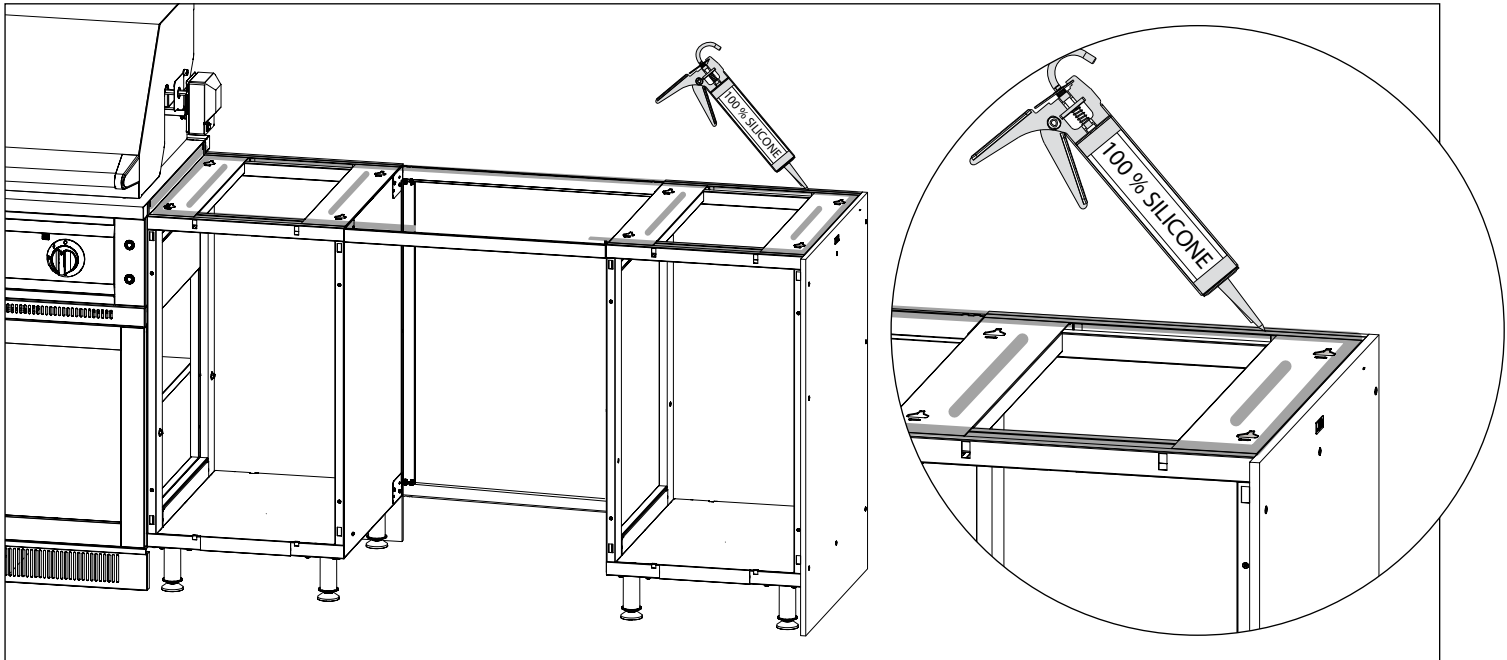
**1** In case you have used two 18" False Frame cabinets, it is recommended to install the Stainless steel countertop before the fiber cement panels. Otherwise, it is required to remove the Fiber Cement Panels first for easy access to tighten the countertop screws. ( For 18" Cabinets with drawers and door it is recommended to open and remove the drawers while installing the countertop)



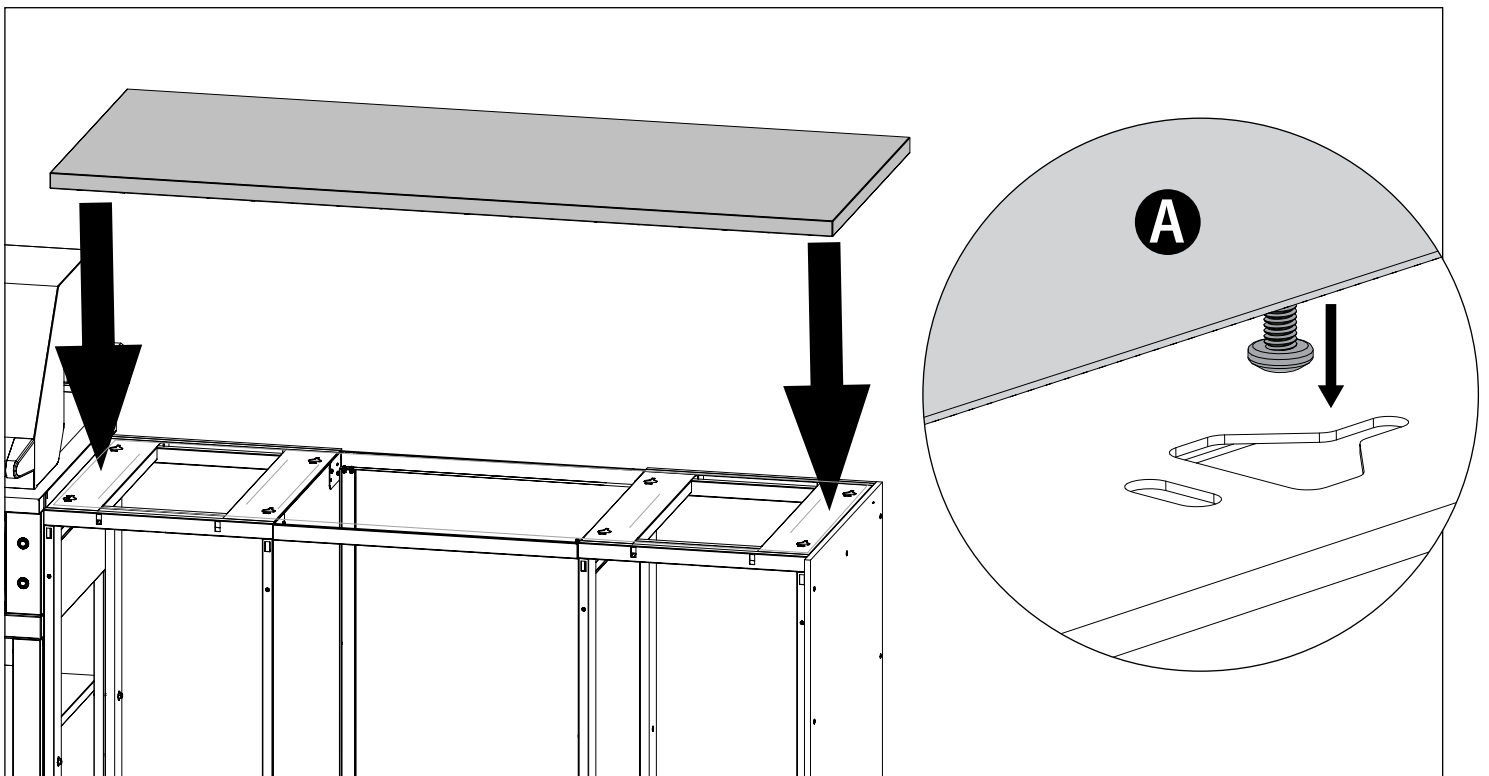


# Installing the Regular 60" Countertops with Fridge

- 2** It is recommended to apply Silicone Sealant using a caulking gun on the top of the cabinet edges to avoid any kind of spillage from the countertop surface to the inside of the cabinet.

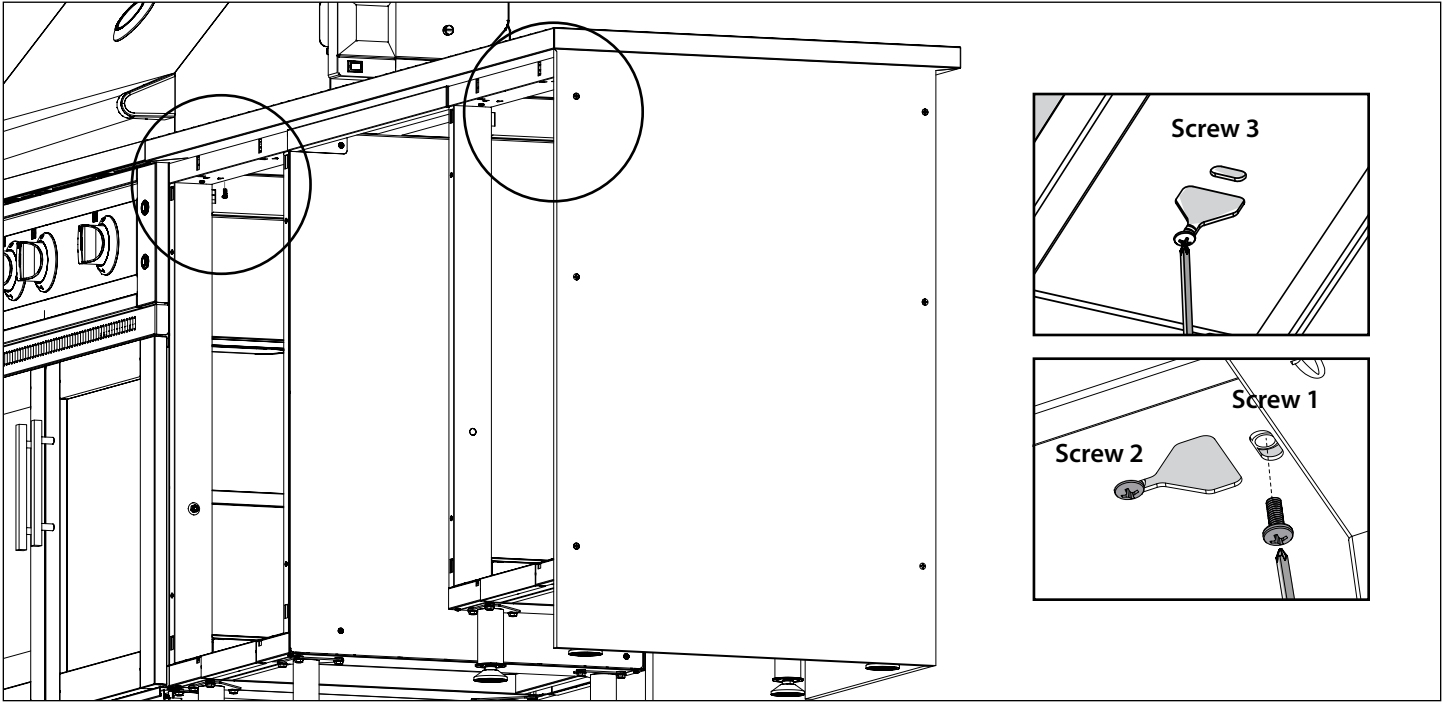


- 3** Gently place the 60" Contertop 1-Side Extended on top of the cabinets and engage the slots on the cabinets with the screws on the countertop (A). Follow the same steps as the Regular Countertop installation process.

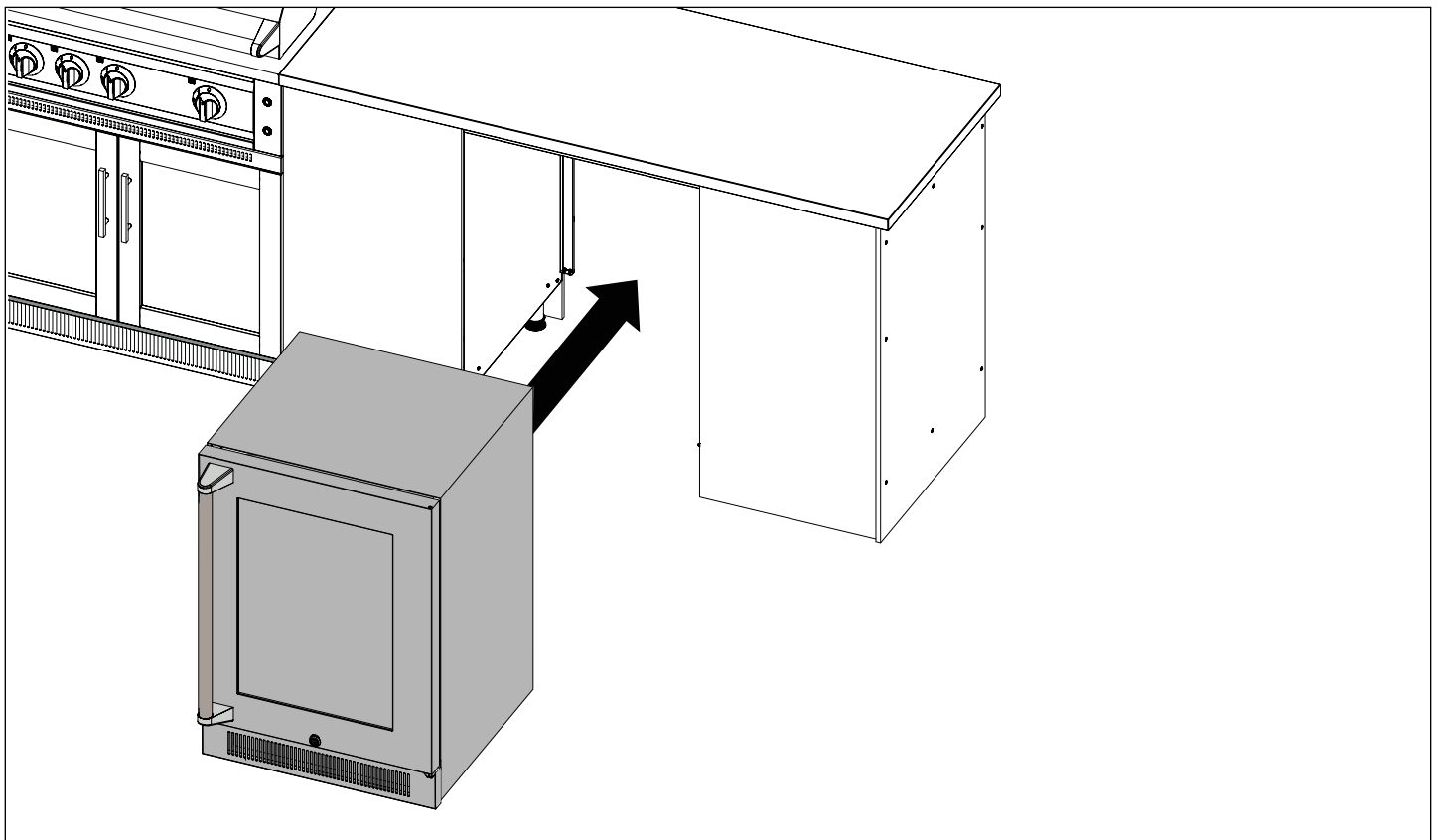


# Installing the Regular 60" Countertops with Fridge

- 4** Tighten the screw 2 and screw 3 from underneath the cabinet on both the sides and add the screw 1 on both the sides to secure the countertop.



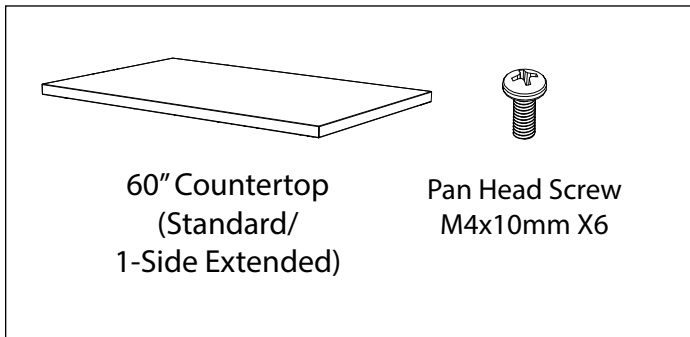
- 5** Once the countertop is secure, place the Fridge between the two cabinets.



# Installing the Regular 60" Countertops with Fridge

## Option 2 : 36" Cabinet + 24" Fridge + ( Any other Cabinet)

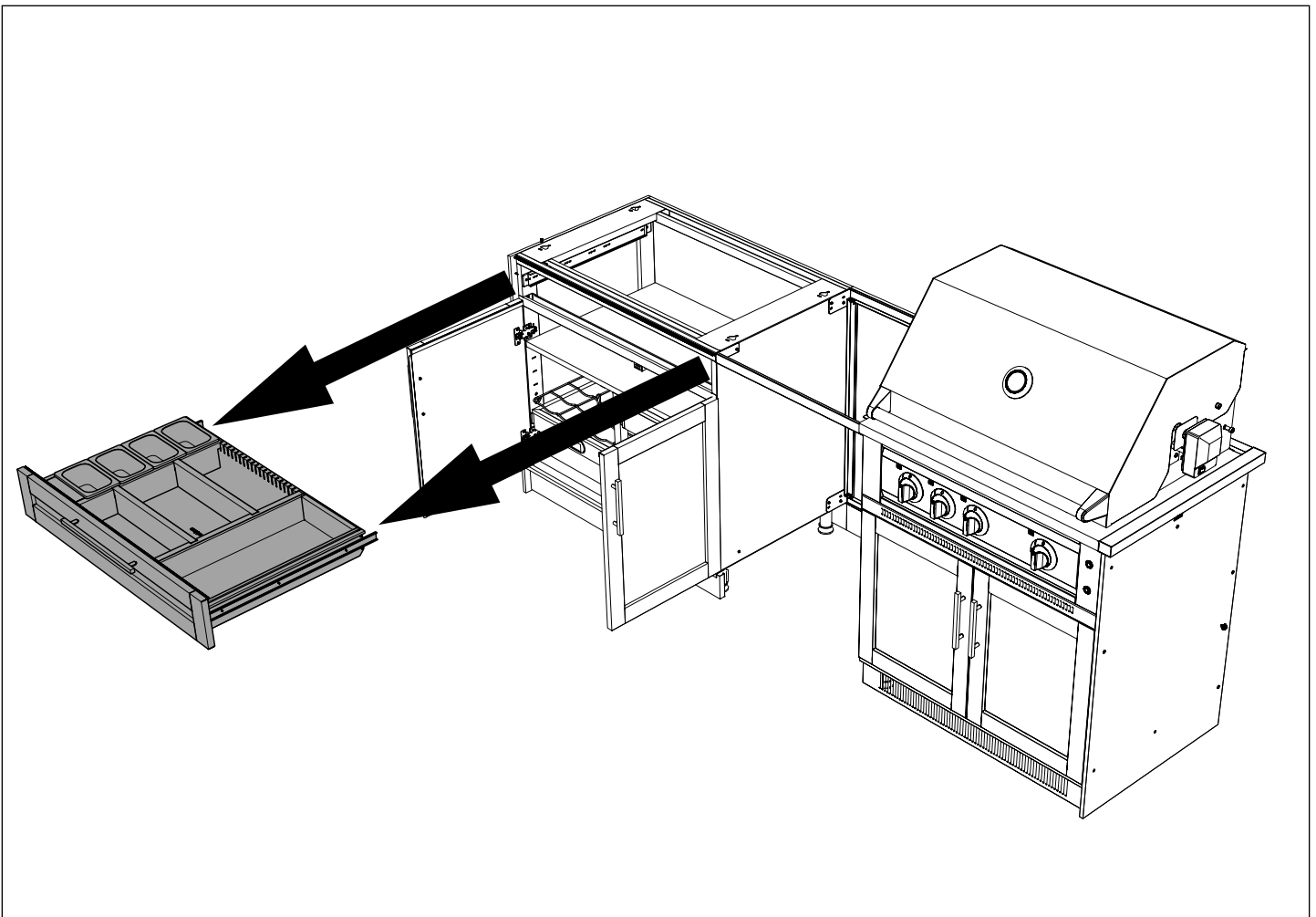
**i** Parts Needed.



**NOTE :** Ensure the Fridge Bracket is mounted first before installing the countertop.

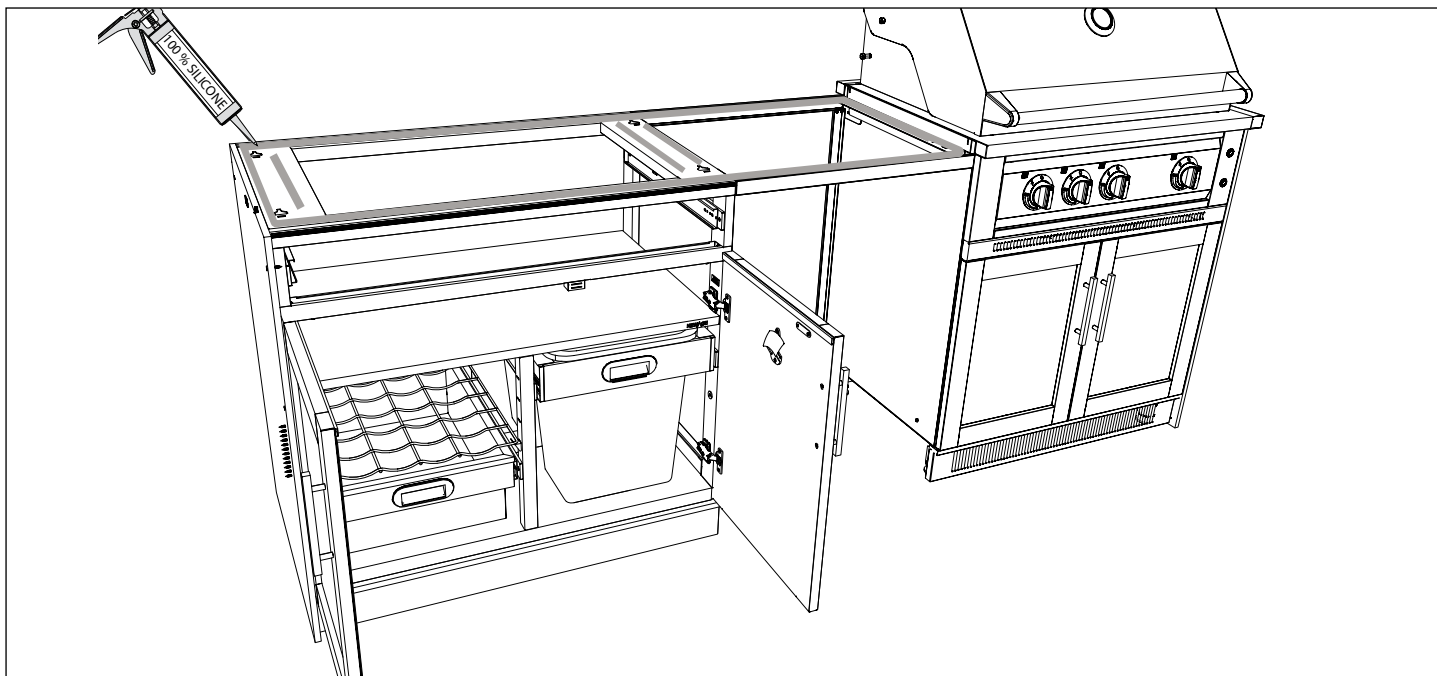
Follow the instructions for the same in the Fridge Bracket Section above.

**1** First remove the drawer and open the doors for easy access to tighten the screws on the countertop.

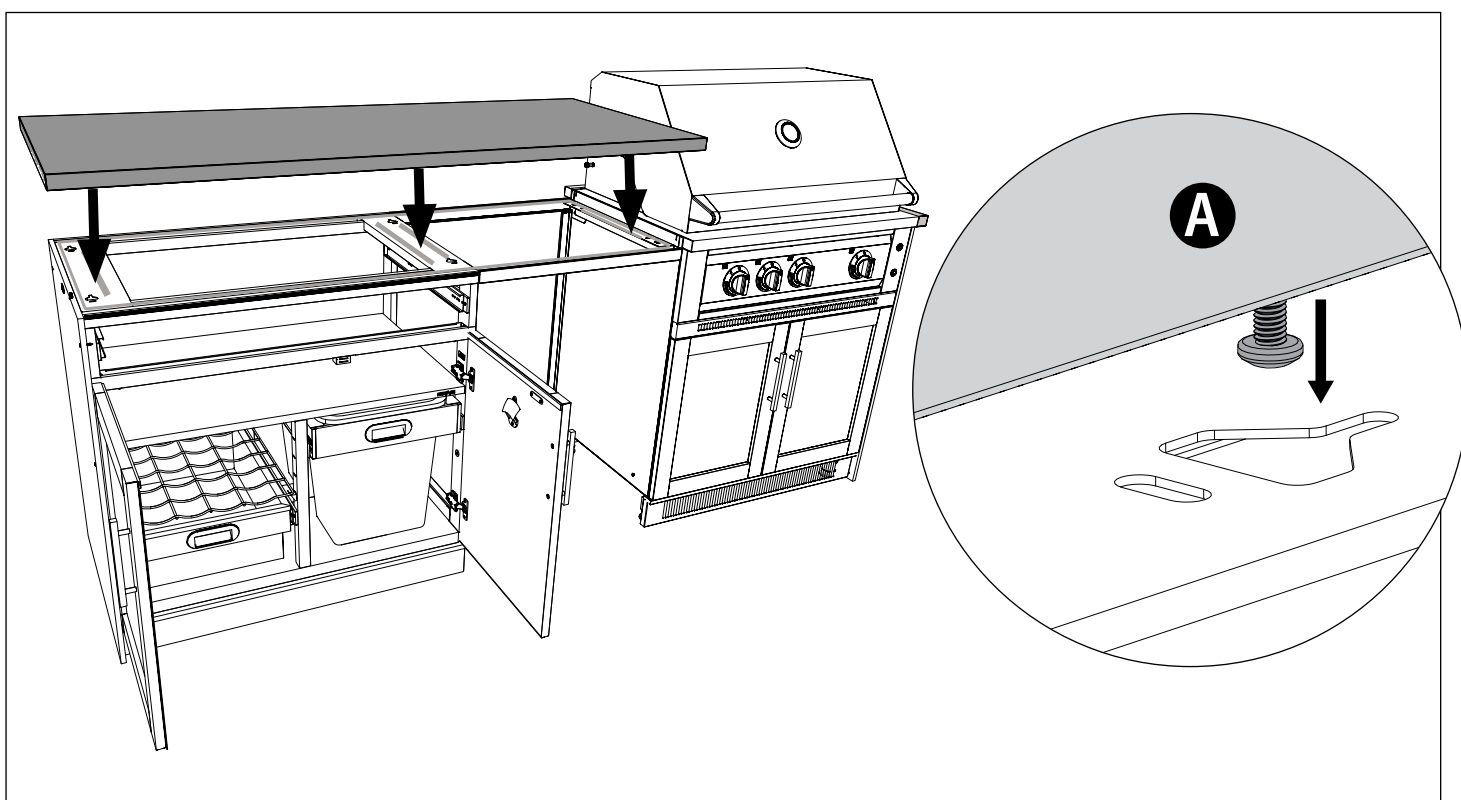


# Installing the Regular 60" Countertops with Fridge

- 2** It is recommended to apply Silicone Sealant using a caulking gun on the top of the cabinet edges to avoid any kind of spillage from the countertop surface to the inside of the cabinet.

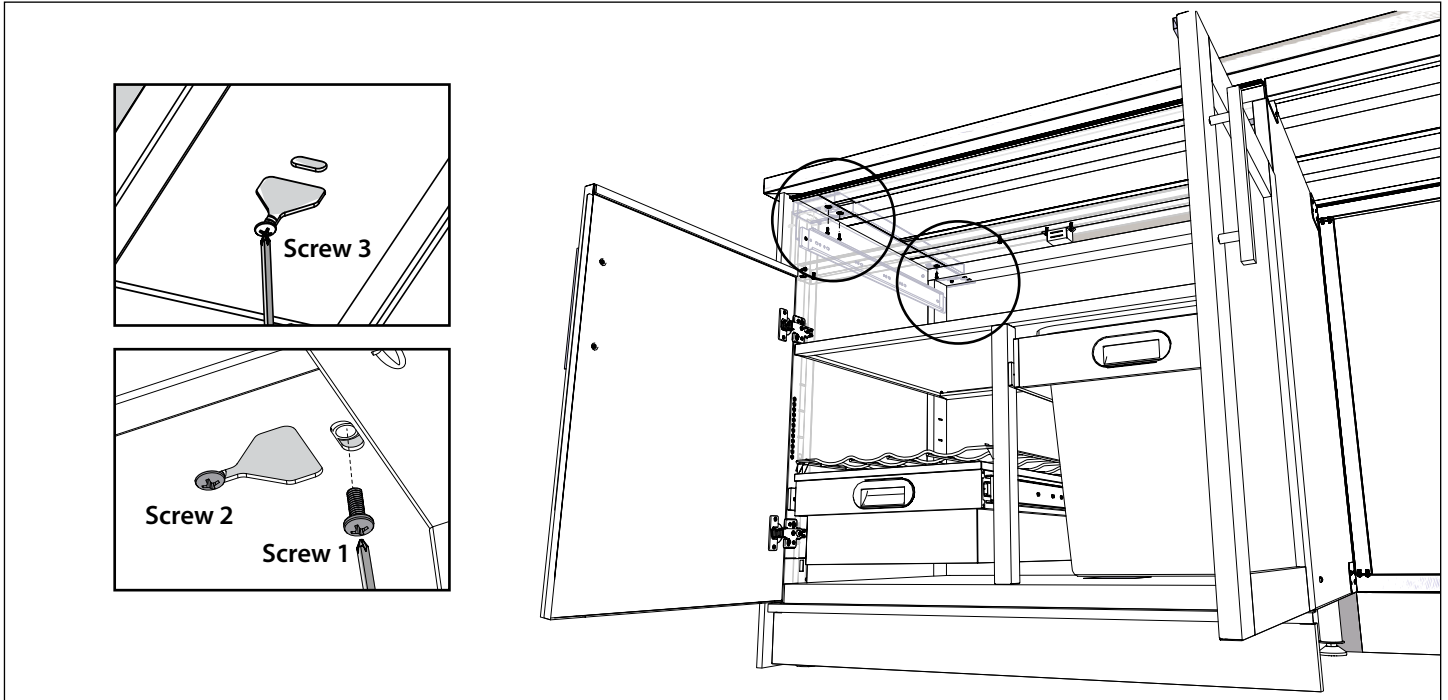


- 3** Gently place the 60" Contertop - 1 Side Extended on top of the cabinets and engage the slots on the cabinets with the screws on the countertop (A). Follow the same steps as the Regular Countertop installation process.

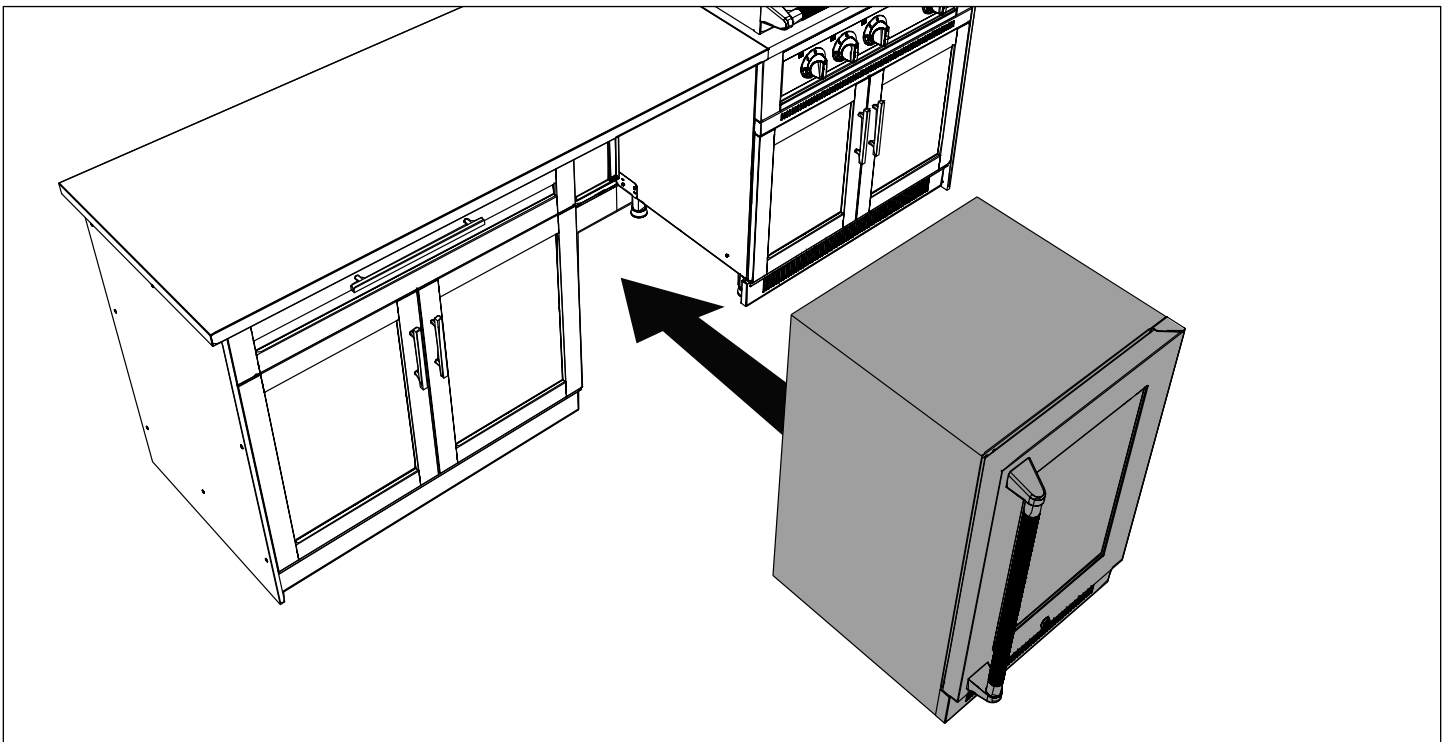


# Installing the Regular 60" Countertops with Fridge

- 4** Tighten the screw 2 and screw 3 from underneath the cabinet on both the sides and add the screw 1 on both the sides to secure the countertop.



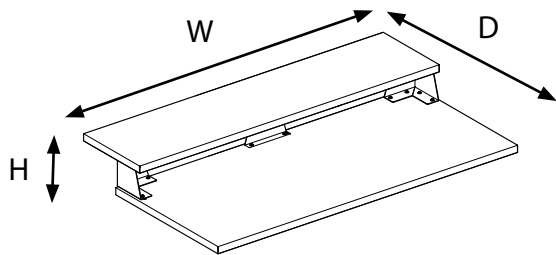
- 5** Once the countertop is secure, place the drawers back in position and close the doors of the cabinets. Then place the Fridge between the two cabinets.



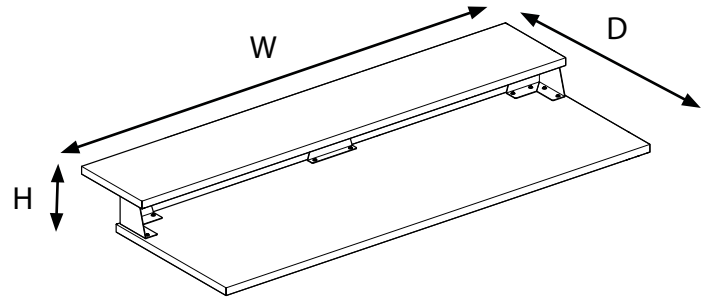
# Installing the Countertops with Bar Shelf

## Product Specifications

### Signature Outdoor Kitchen Cabinets SS Countertops 2-Side Extended with Bar Shelf

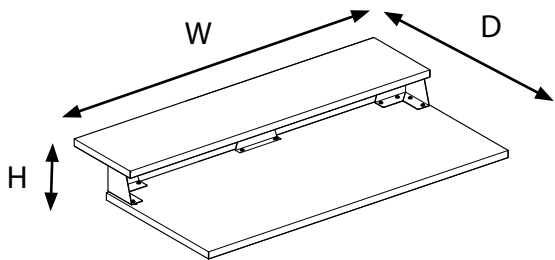


**54" SS Countertop 2-Side Extended with Bar Shelf**  
W 57.16in x D 33.50in x H 7.25in  
**SKU#66080**

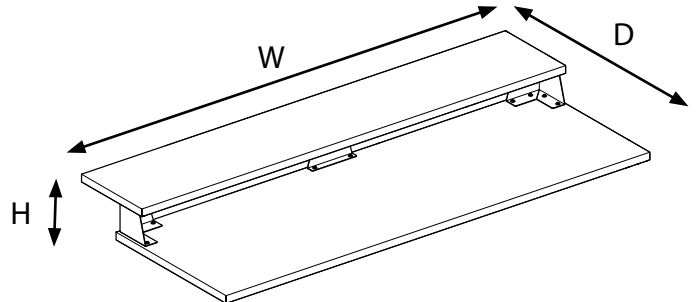


**72" SS Countertop 2-Side Extended with Bar Shelf**  
W 75.16in x D 33.50in x H 7.25in  
**SKU#66087**

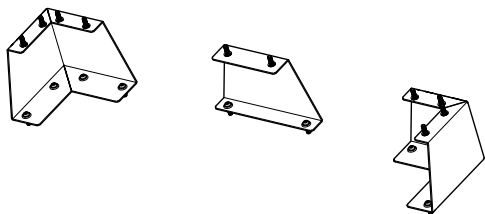
### Signature Outdoor Kitchen Cabinets Granite Countertops 2-Side Extended Bar shelf



**54" Countertop 2-Side Extended with Bar Shelf**  
W 57.16in x D 25.50in x H 7.25in  
**SKU#89036 - White Pearl**  
**SKU#89136 - Black Galaxy**  
**SKU#89236 - Gold Sand**



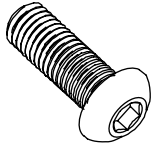
**72" Countertop 2-Side Extended with Bar Shelf**  
W 75.16in x D 25.50in x H 7.25in  
**SKU#89037 - White Pearl**  
**SKU#89137 - Black Galaxy**  
**SKU#89237 - Gold Sand**



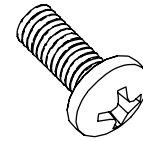
**Signature Outdoor Kitchen Cabinets Bar Countertop Bracket**  
**SKU# 66090**

# Installing the Countertops with Bar Shelf

## Hardware Included



Button Head  
M6X10mm **X20**



Pan Head Screw  
M4x10mm **X6**  
(only for SS countertop)

S.No.	Description	54in SS Countertop	54in Granite Countertop	72in SS Countertop	72in Granite Countertop	Brackets
1	Button Head Hex Screw M6X10mm	N/A	N/A	N/A	N/A	20
2	Pan Head Screw (only for SS countertop)	6	N/A	6	N/A	N/A

### NOTE:

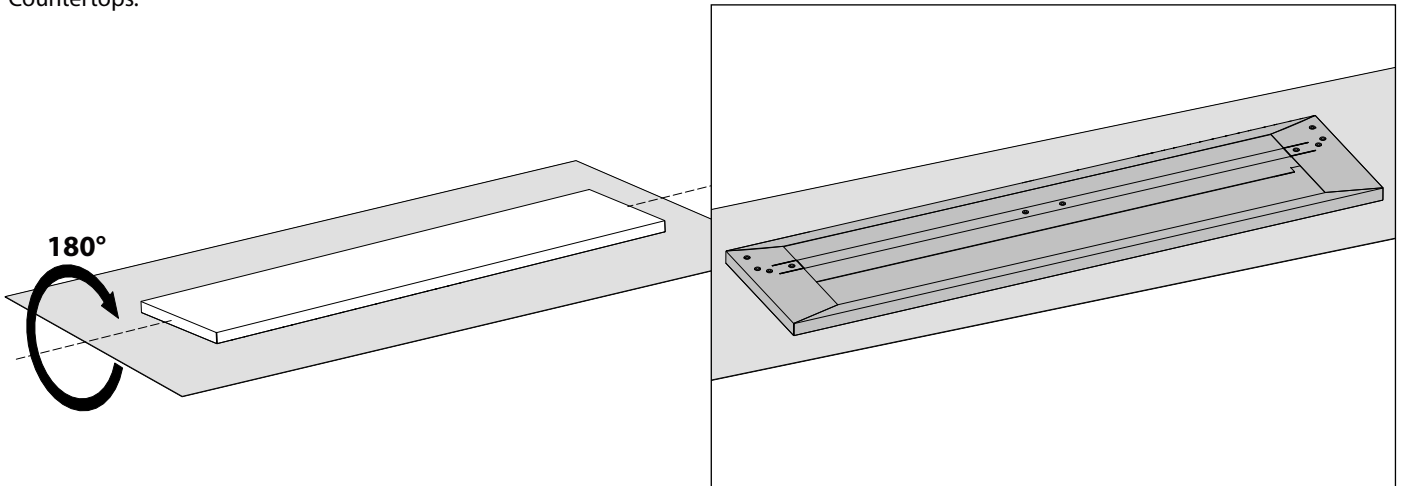
1. Button Head Hex Screw M6x10mm are included in the Bracket SKU.
2. Pan Head Screw M4x10mm are included with SS Countertop.

# Installing the Countertops with Bar Shelf

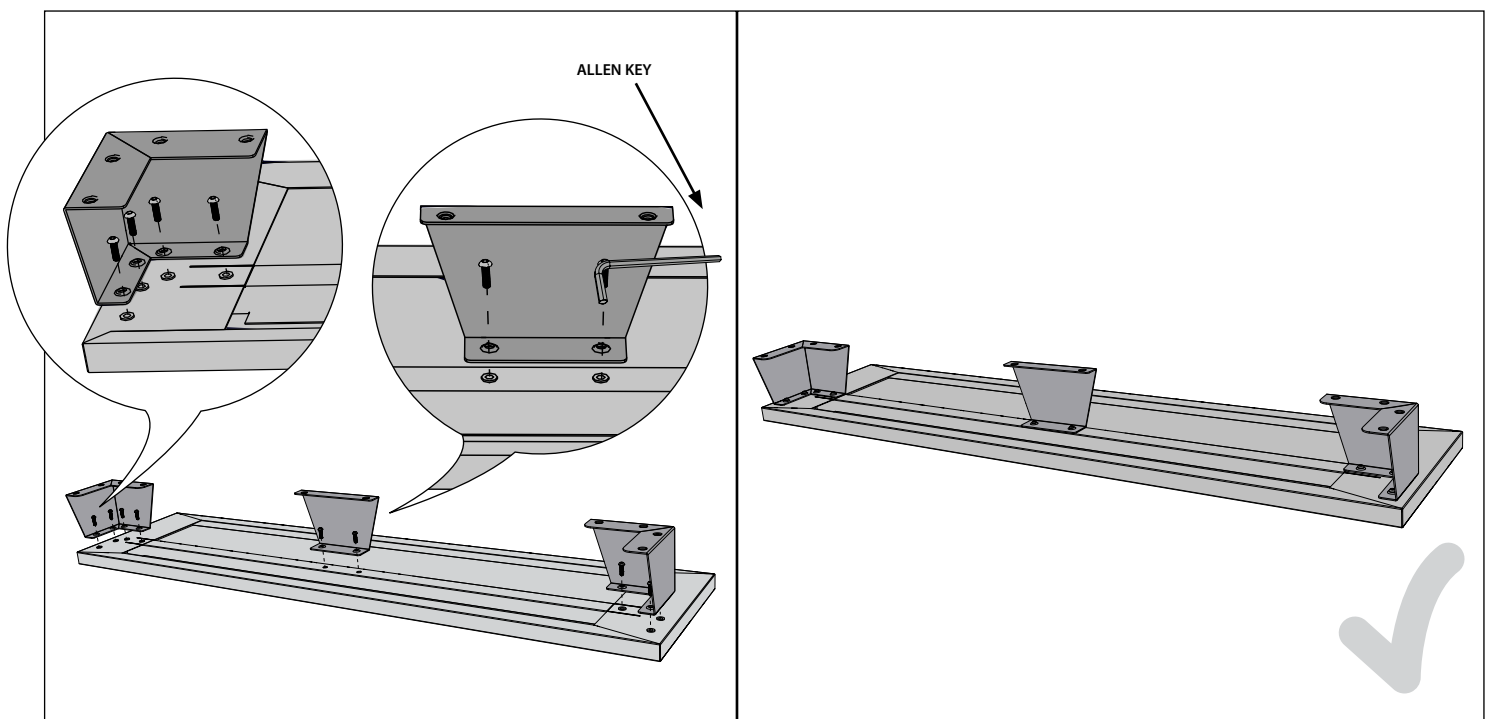
## Installing the Bar Shelf

- 1 Begin by placing the bar shelf with the holes upwards on a covered flat surface (i.e, Cardboard).

**NOTE:** The Bar Shelf installation process is same for Stainless Steel and Granite Countertops.



- 2 Use the three brackets provided and fasten them to the bar shelf with 10X Button Head Hex Screw M6 as shown. Ensure the screws are tightened properly.

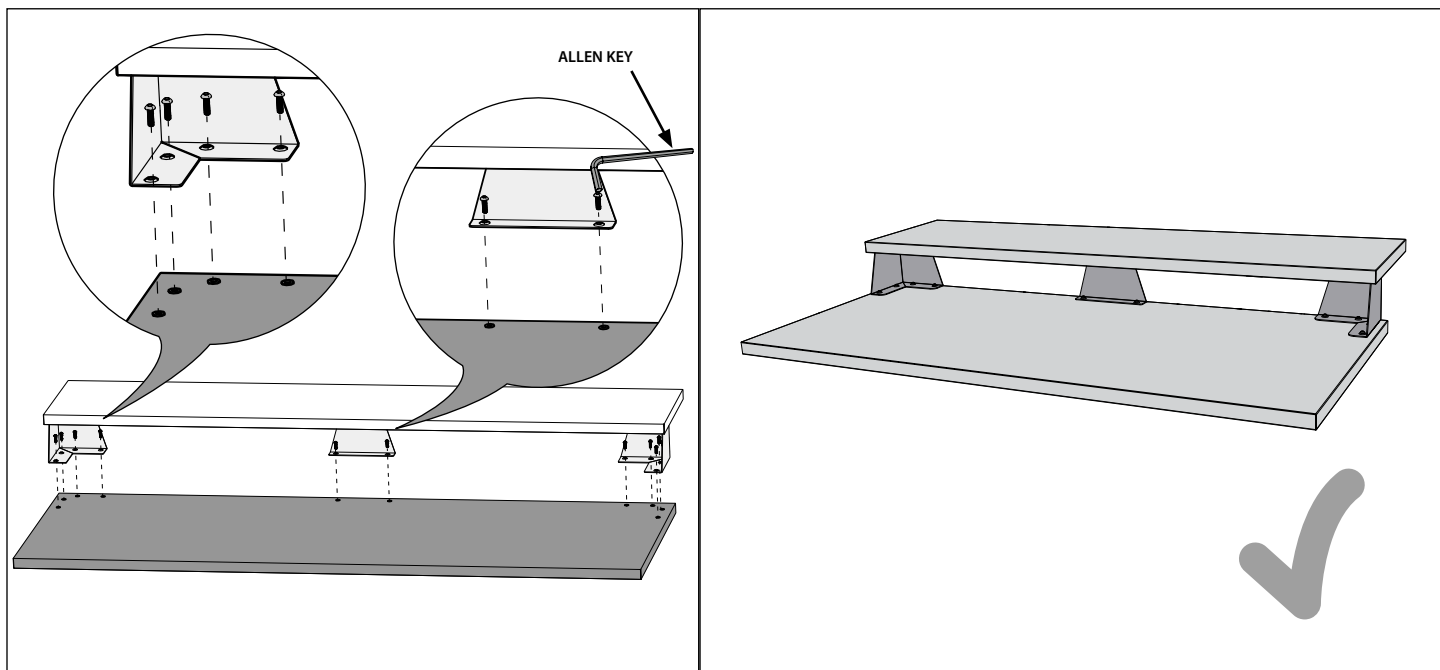




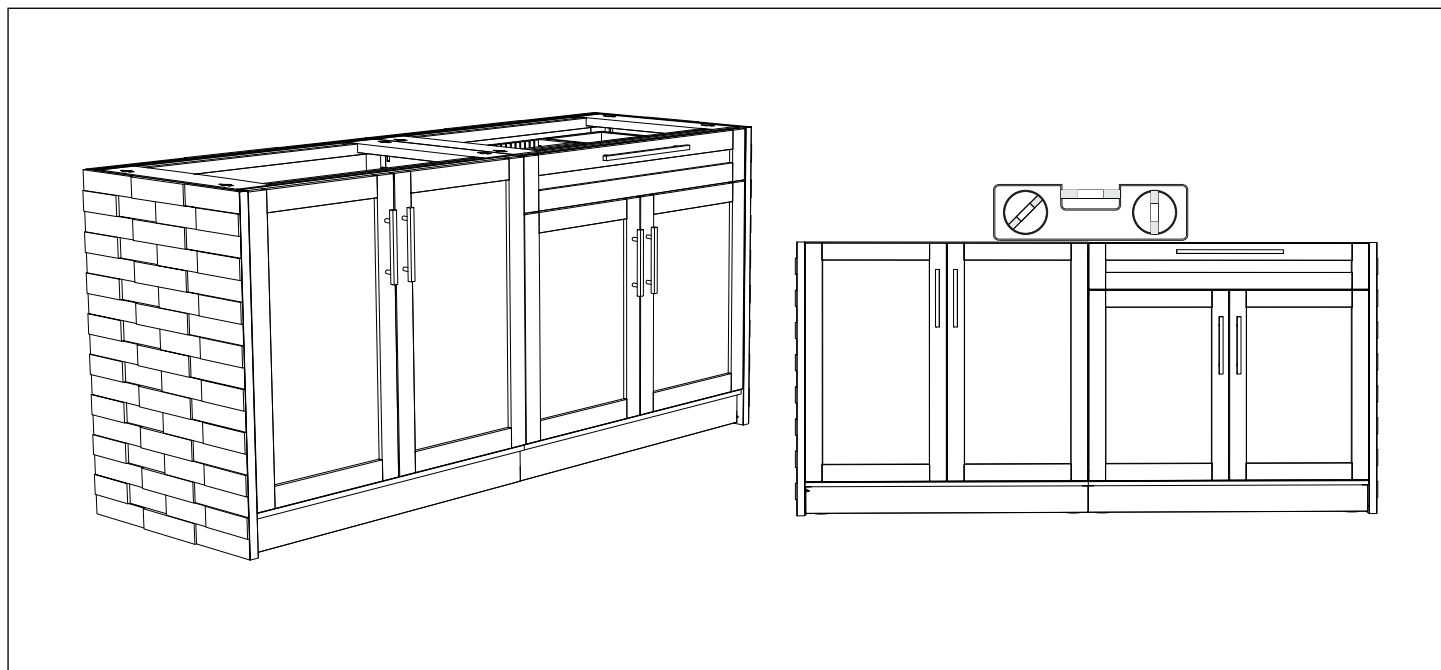
# Installing the Countertops with Bar Shelf

## Installing the Bar shelf on countertop

- 3** Install the bar shelf and brackets on the countertop in a similar way with 10 X Button Head Hex Screw M6 as shown.

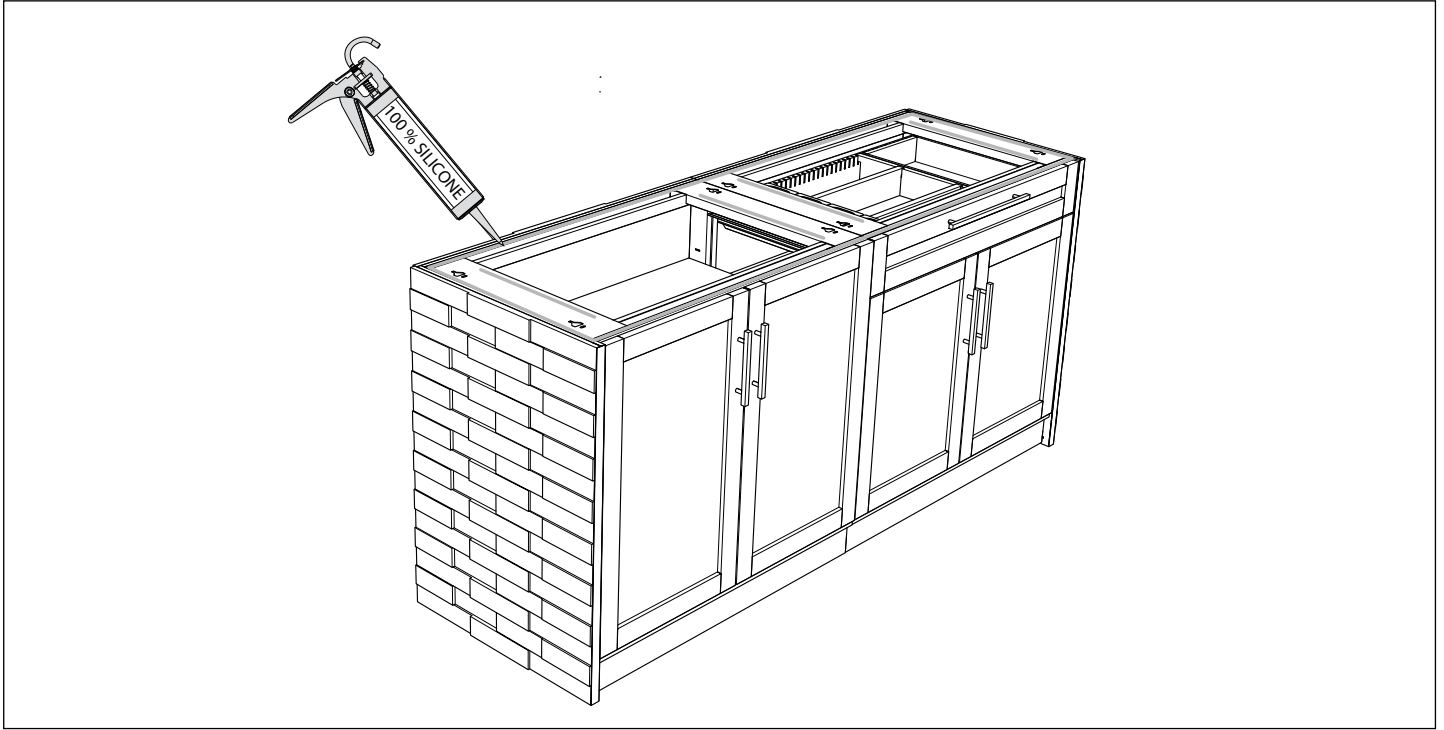


- 4** The Cabinet sets can be arranged by using sets of 18in Cabinets and 36in Cabinets as per preference for the 54in and 72in Countertop with Bar shelf.

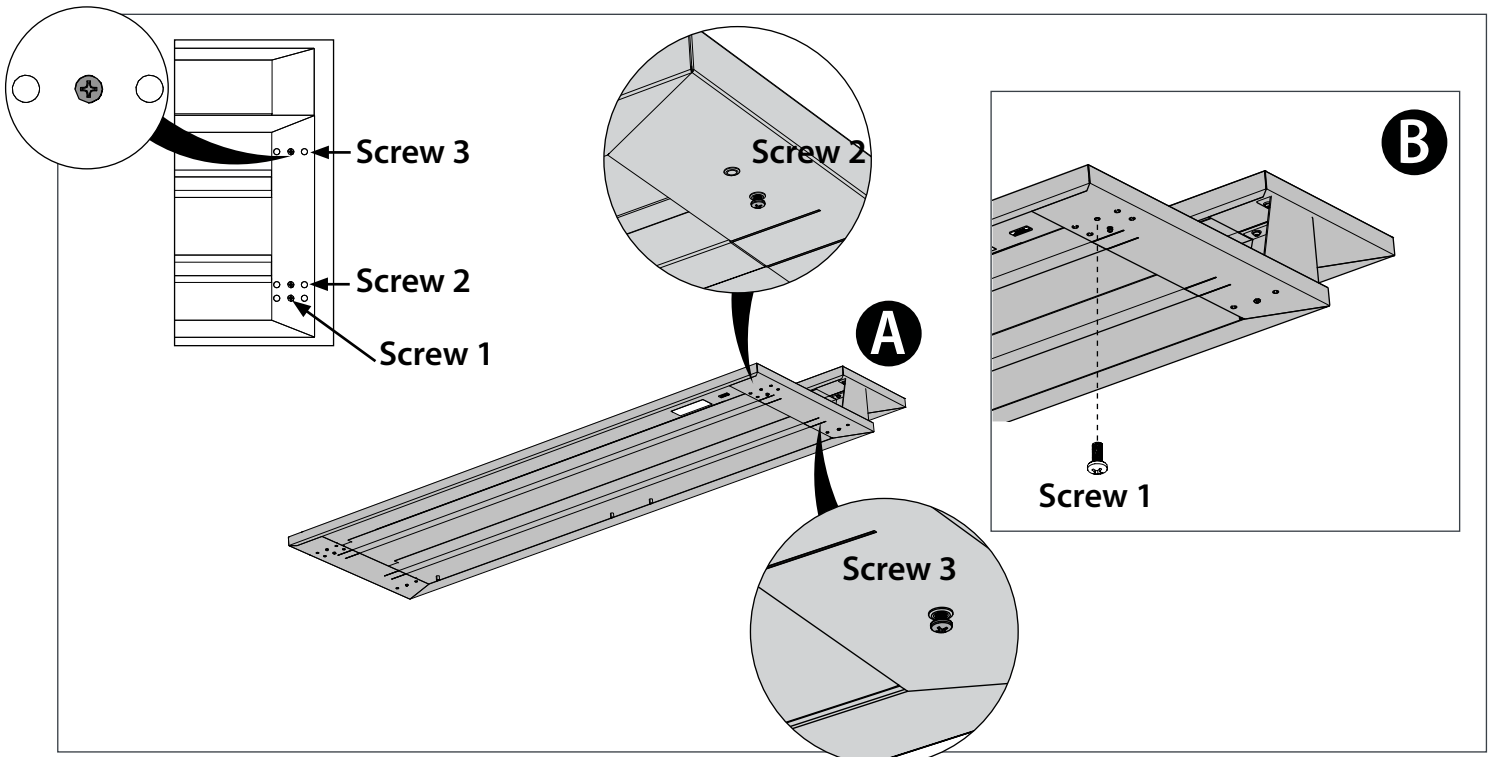


# Installing the SS Countertop with Bar shelf on Cabinets

- 5** **NOTE** : It is recommended to apply Silicone Sealant using a caulking gun on the top of the cabinet edges to avoid any kind of spillage from the countertop surface to the inside of the cabinet.

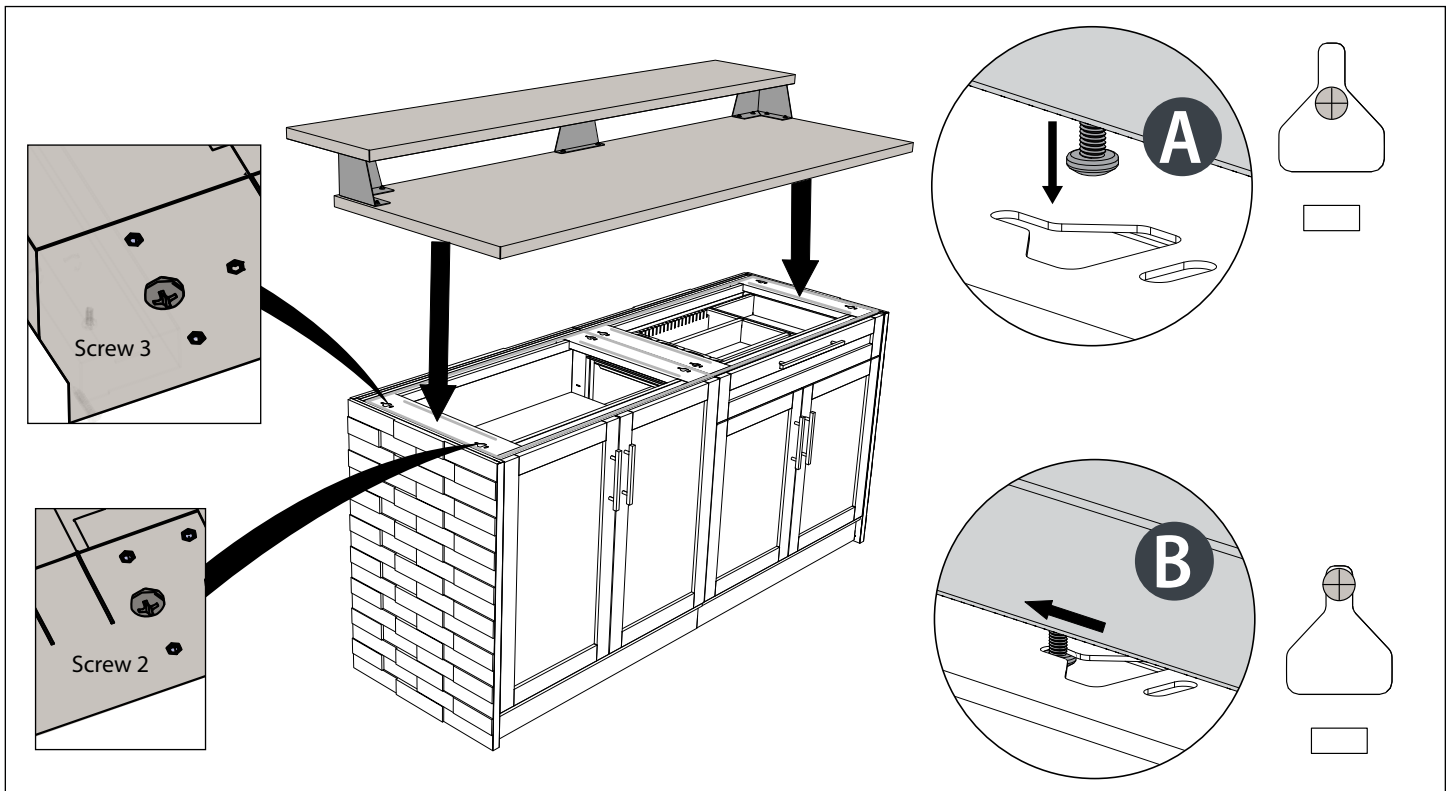


- 6** Now partially unscrew the Screws 2 and 3 as shown (A) on both the sides. Make sure screw 1 is completely unscrewed as shown (B).

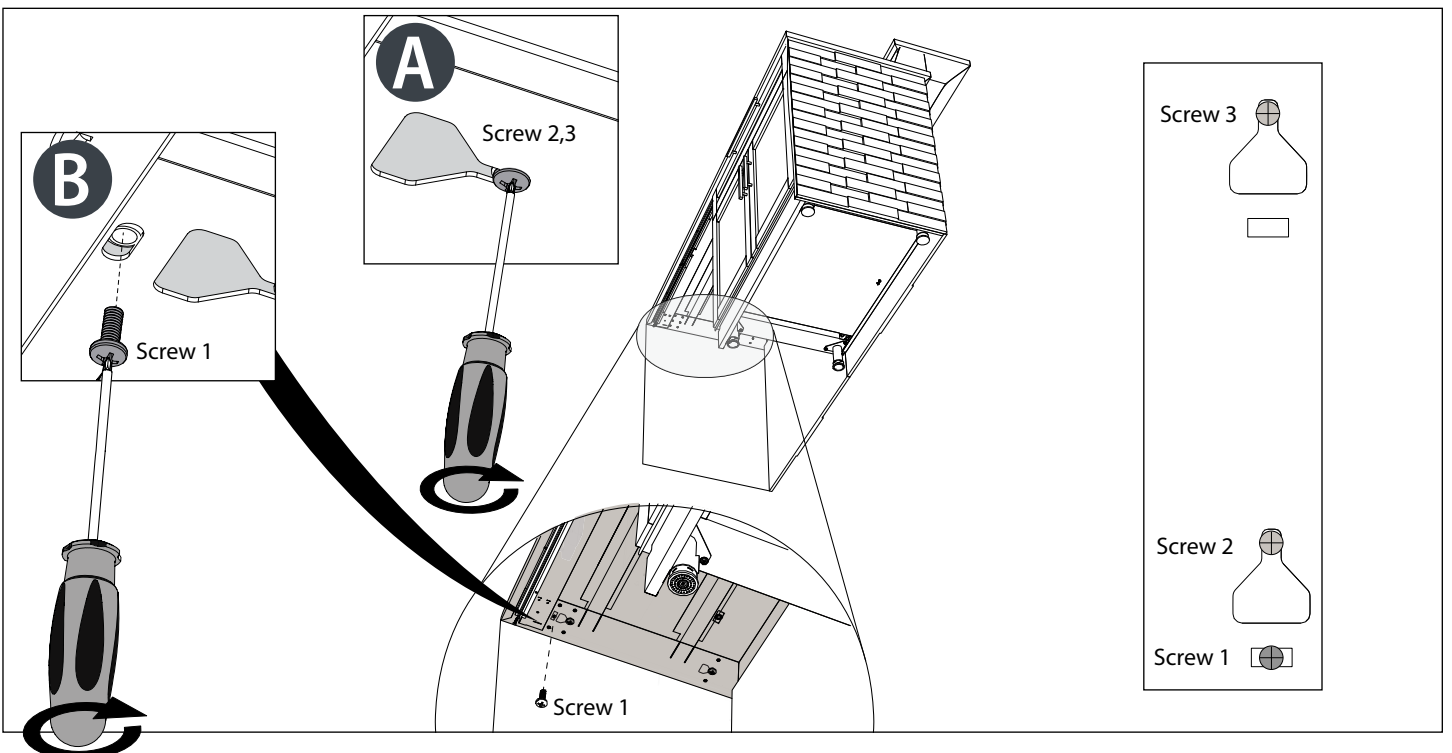


# Installing the SS Countertop with Bar shelf on Cabinets

- 7** Install the SS Bar Countertop by placing it on top of the attached cabinets as shown. Now guide Screw 2 and Screw 3 through the slots mounted on each side of the cabinet as shown (A). Then push the countertop backward to engage the screws to the slot as shown (B).

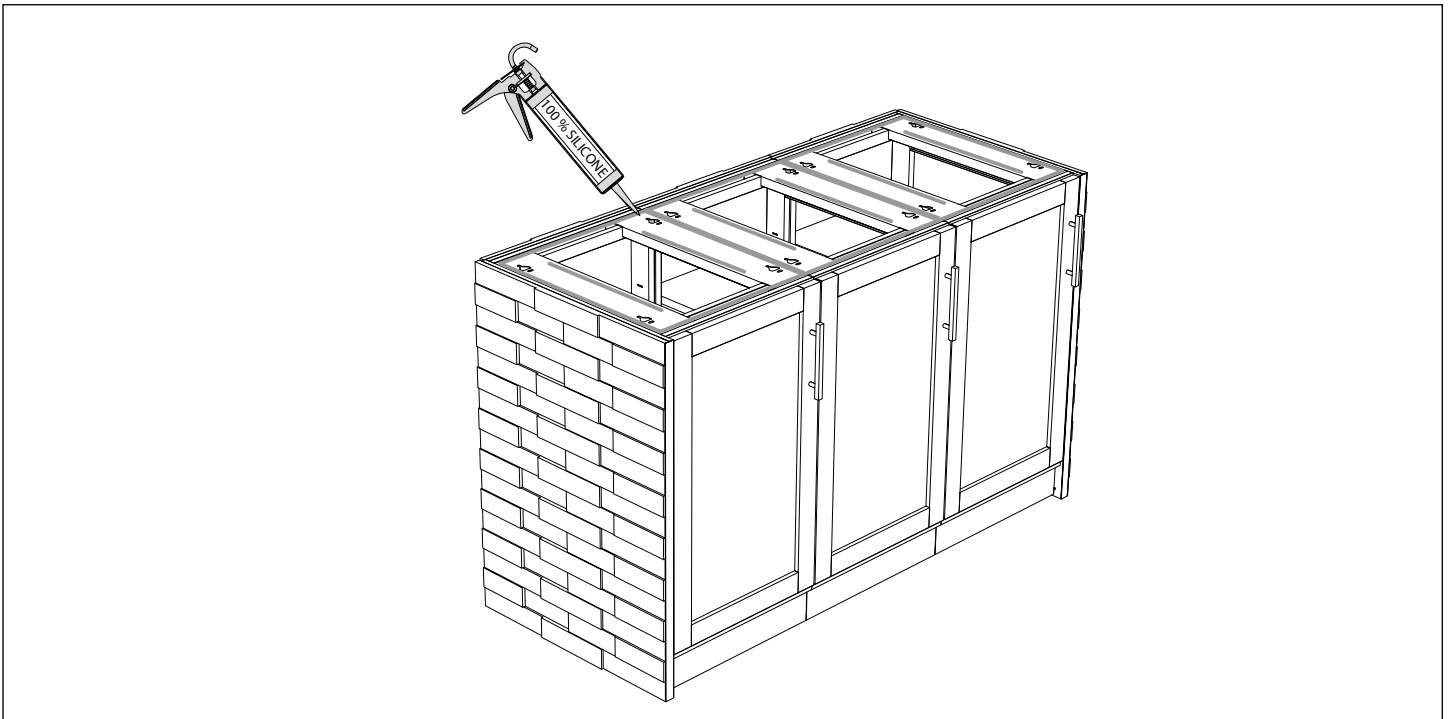


- 8** Tighten the screws 2 and screw 3 from underneath the cabinet on both the sides as shown (A). Now add and tighten the screw 1 on both the sides as shown (B).

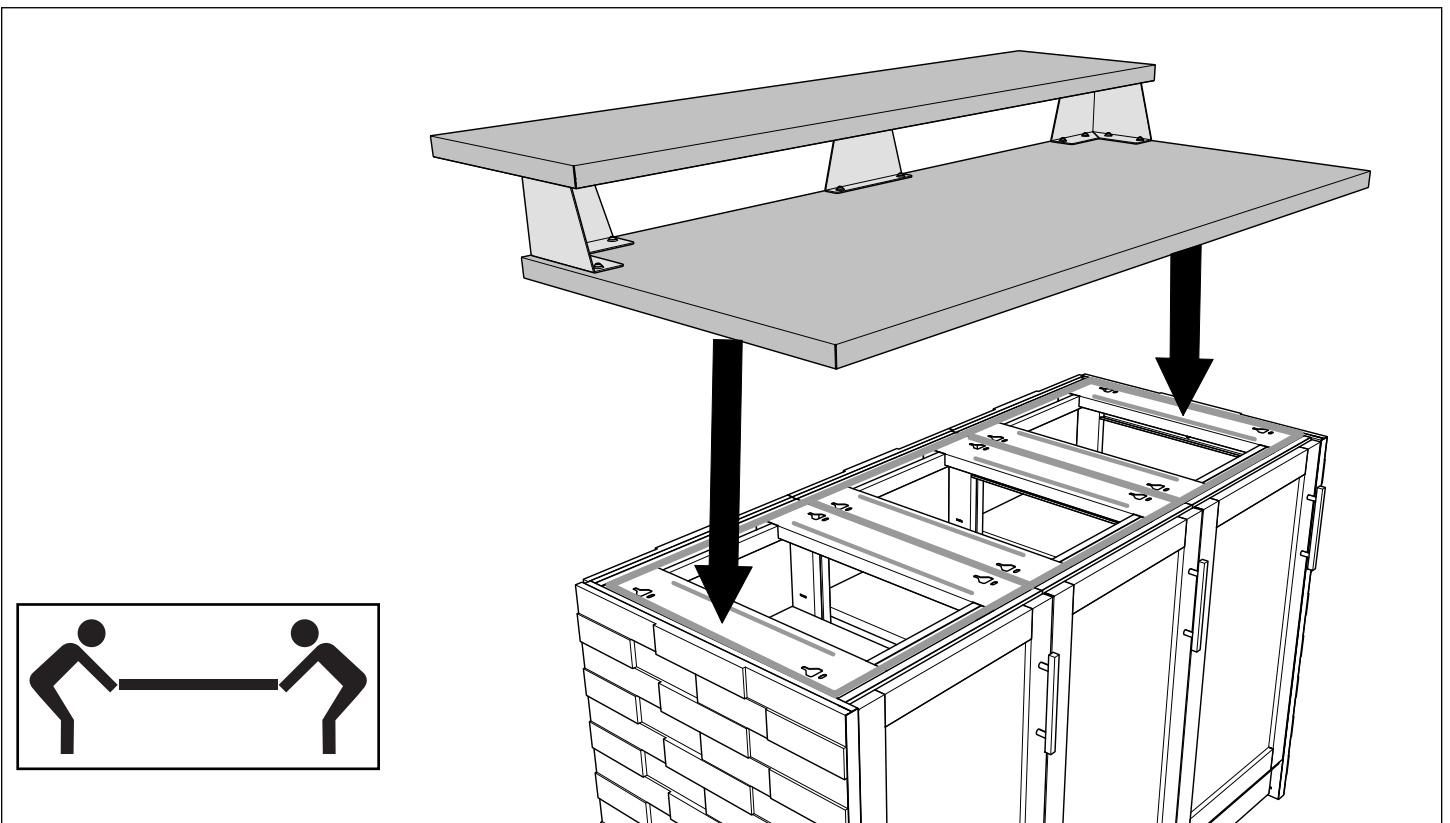


# Installing Granite Countertop with Bar Shelf on Cabinets

- 1 Using a caulking gun, apply the silicon sealant on top of the cabinets as shown.

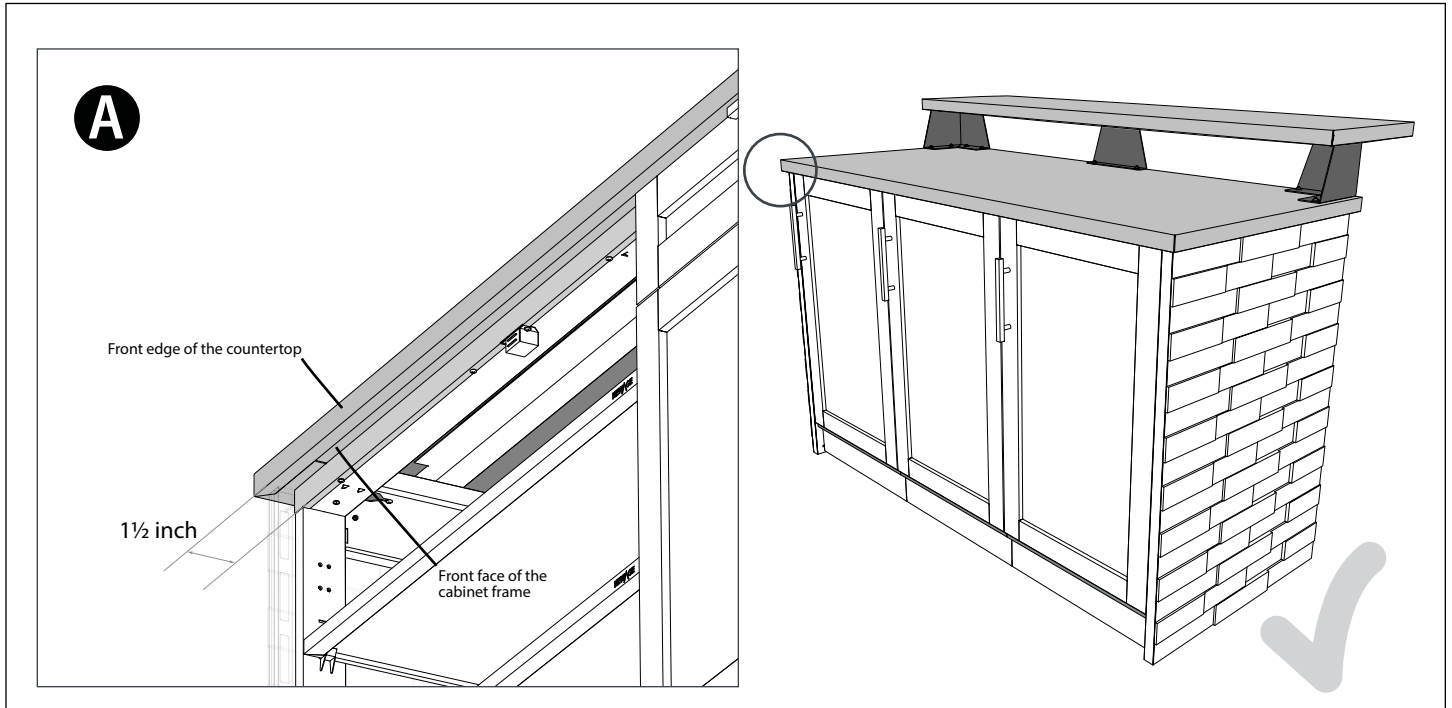


- 2 Install the granite countertop on top of the cabinets as shown.

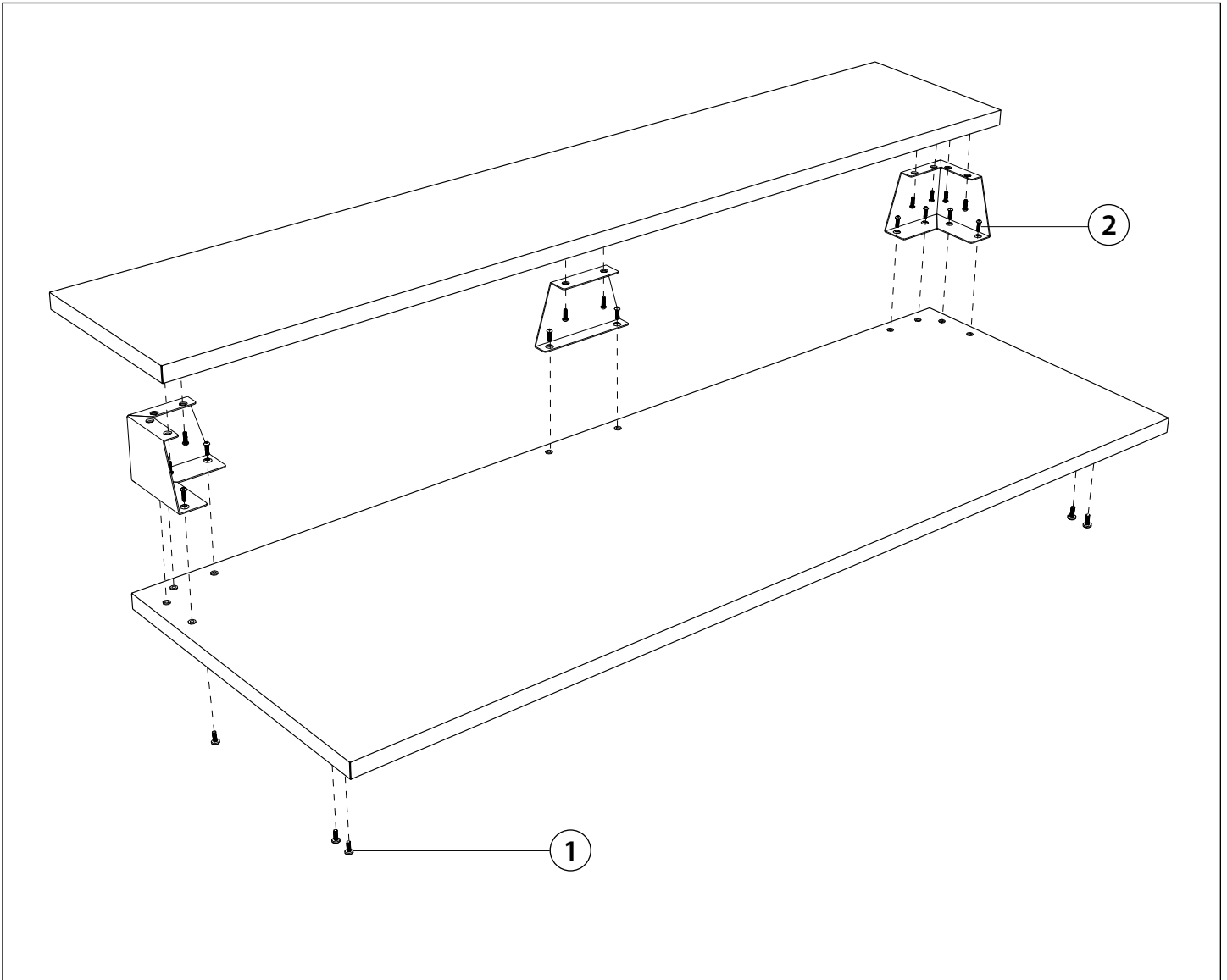


# Installing Granite Countertop with Bar Shelf on Cabinets

- 3** Maintain the granite countertop in the center left to right, and ensure the overhang of 1½ inch from the front edge of the countertop to the front face of the cabinet frame as shown (A).



# Spare parts - Stainless Steel & Granite Countertop with Bar Shelf



## Stainless Steel Countertop with Bar Shelf (54in & 72in)

Callout	Engineering Part Number	Description	Qty
1	H00446A-01	M6x10 Button Head Hex Screw	1
2	H00204A-01	M4x10 Pan Head Screw	1

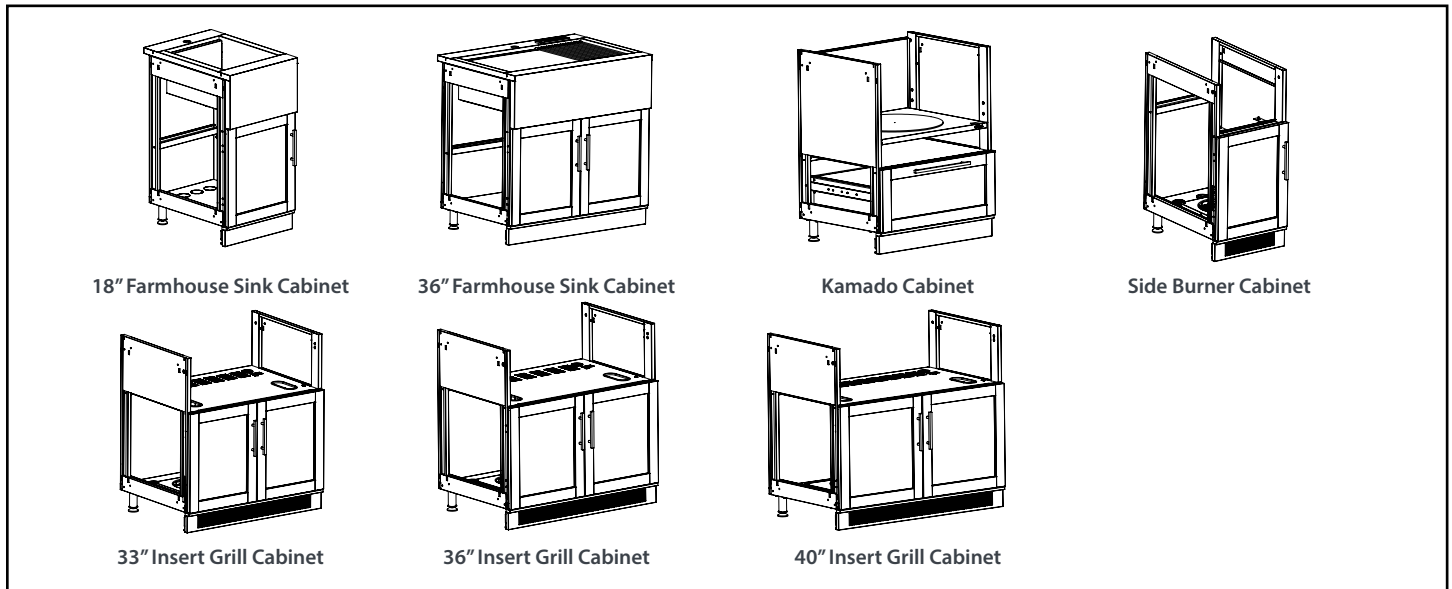
## Granite Countertop with Bar Shelf (54in & 72in)

Callout	Engineering Part Number	Description	Qty
1	H00446A-01	M6x10 Button Head Hex Screw	1

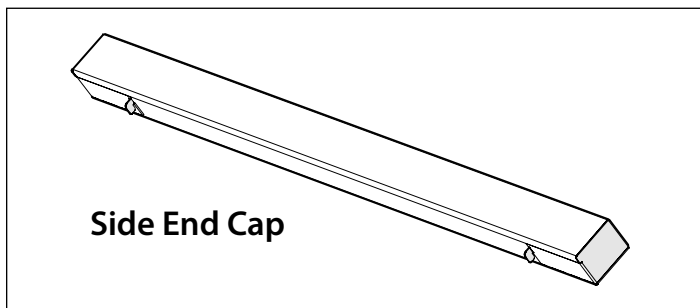
# **INSTALLING THE SIDE END CAPS FOR SINK AND APPLIANCE CABINETS**

# Installing Side End Caps for Sink and Appliance Cabinets

**i** The following instructions apply to the cabinets below



**i** Parts Needed.

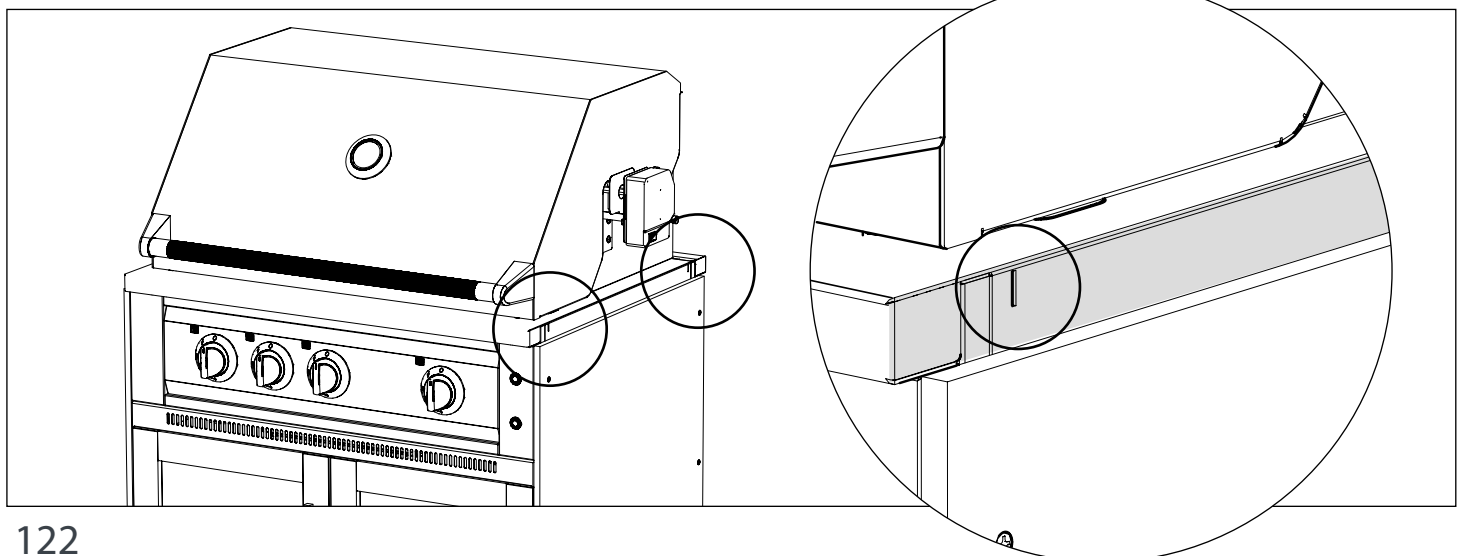


**NOTE :** The side end cap is used at the end of a set with the Appliance and Sink Cabinets. The purpose of the side end caps are to cover the top side edge of the cabinets.



**NOTE :** The best time to apply the natural stone (or any other finishing material) is after installing the all the End caps.

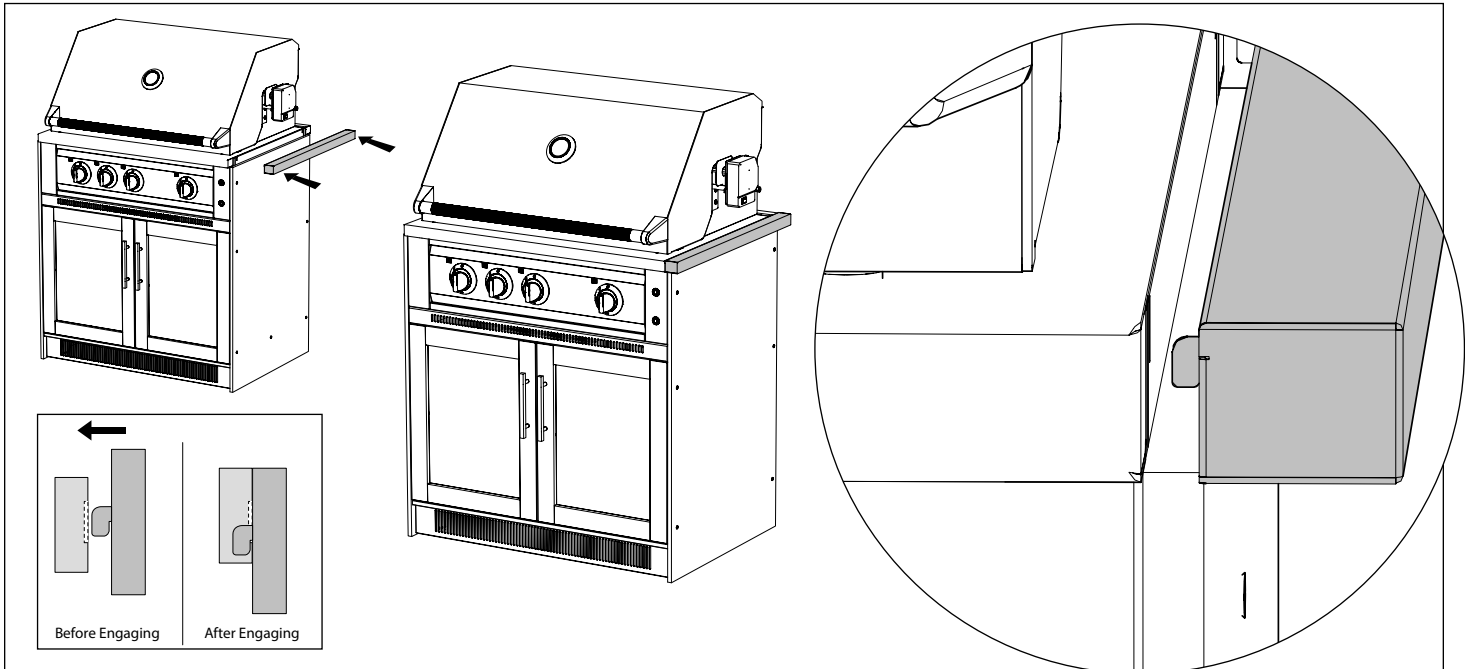
**1** Locate the slots on the required cabinet to fix the side end cap



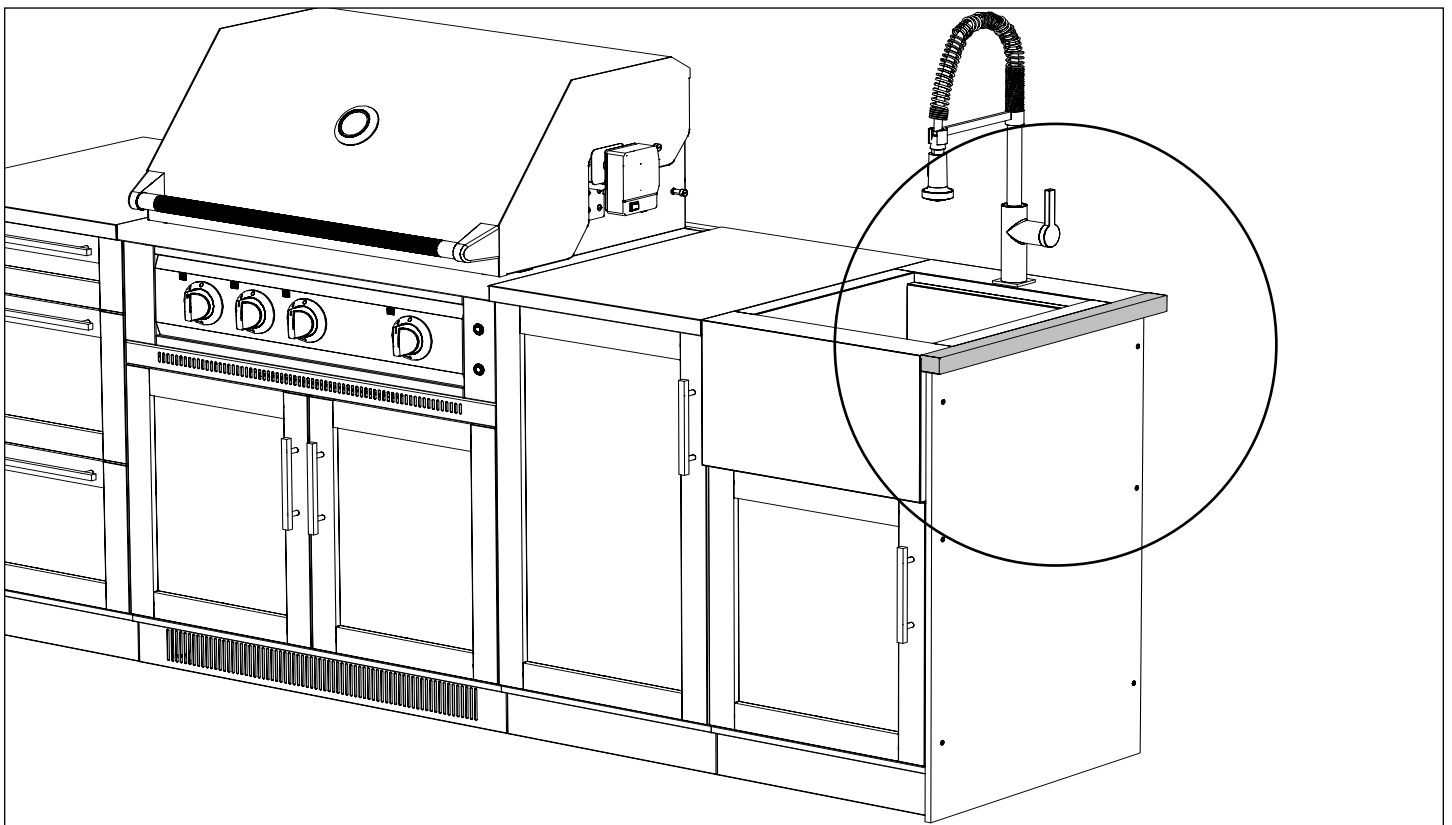


# Installing Side End Caps for Sink and Appliance Cabinets

- 2** Align the Side End Caps to the cabinet slots and fix it on the required side of the cabinet.

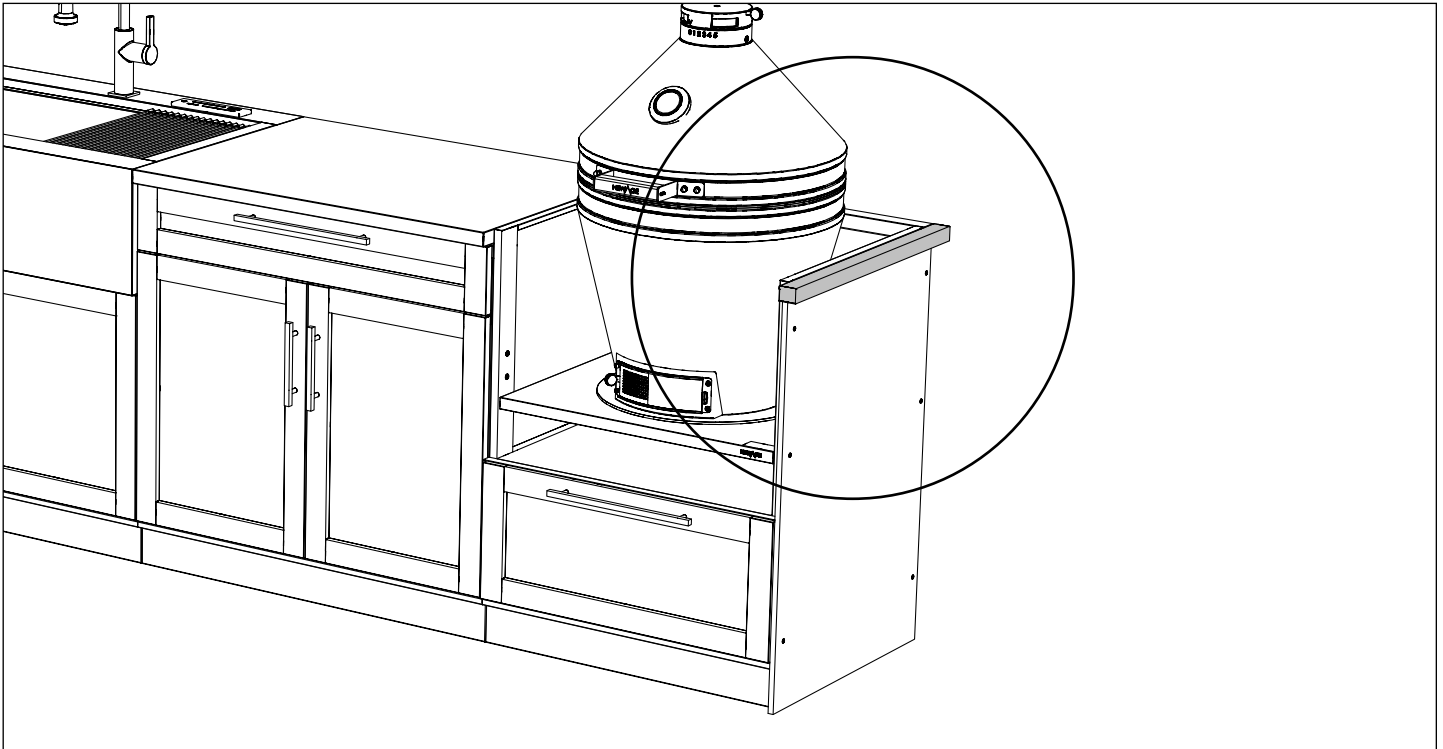


- 4** Follow the same steps for installing the side end cap on the Sink Cabinets.

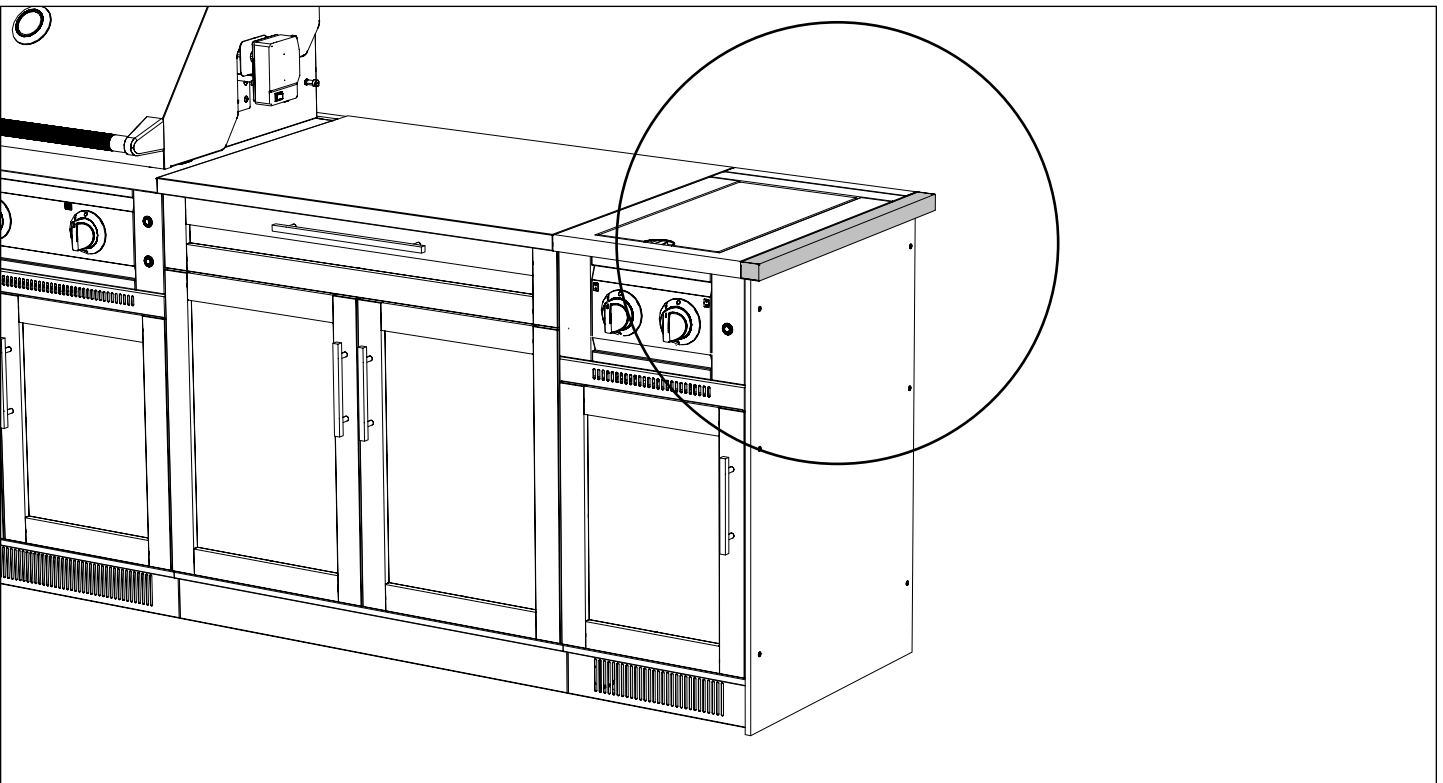


# Installing Side End Caps for Sink and Appliance Cabinets

- 5** Follow the same steps for installing the side end cap on the Kamado cabinet



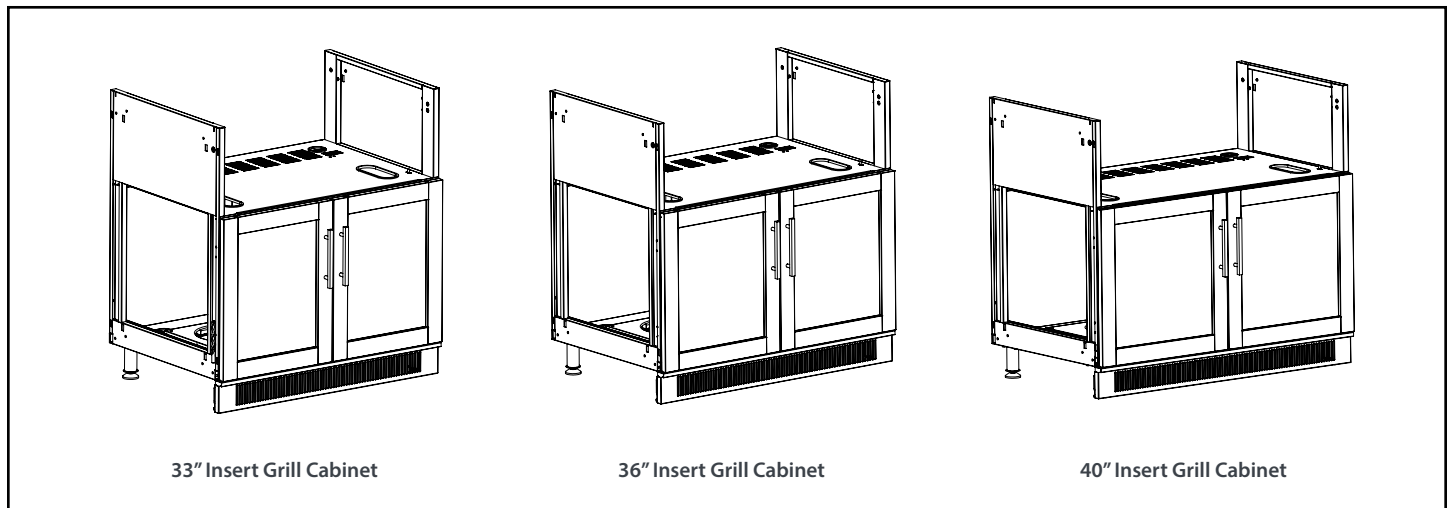
- 6** Follow the same steps for installing the side end cap on the Side Burner cabinet.



# **INSTALLING THE INSERT GRILL CABINET FILLER BRACKET KIT**

# Installing Filler Bracket Kit for Insert Grill Cabinets

**i** The following instructions apply to the cabinets below.



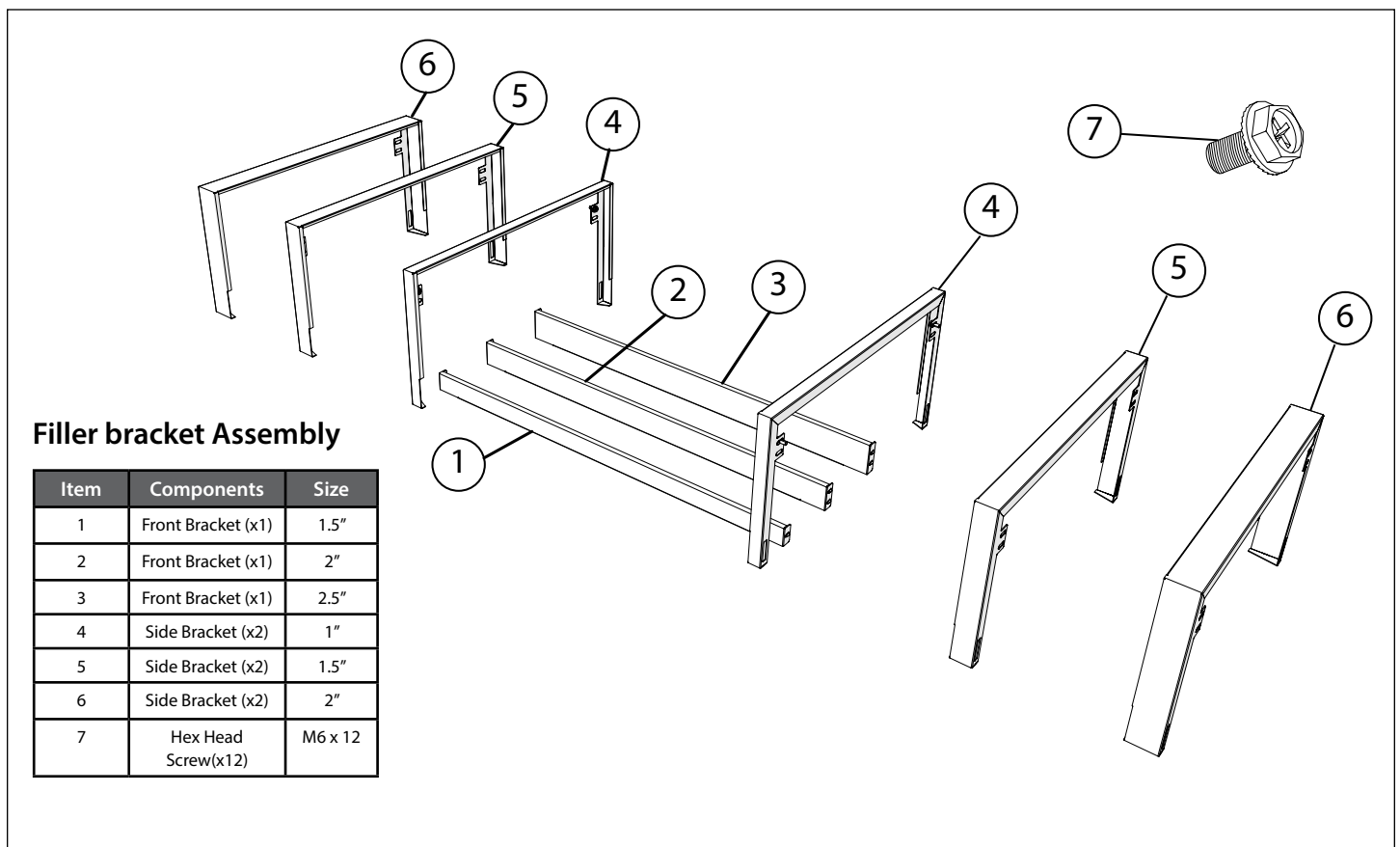
33" Insert Grill Cabinet

36" Insert Grill Cabinet

40" Insert Grill Cabinet

**i** NewAge offers the Insert Grill Filler Bracket Kit as an option in case you purchase an Insert Grill of your own. The Filler Bracket Kit includes 3 sizes of side fillers and front fillers (1", 1.5" and 2"). There are three kits available for the 33", 36" and 40" Insert Grill Cabinets.

**i** **NOTE:** Please ensure you check the dimensions of the Insert grill you purchase and choose the appropriate filler bracket kit for your need.

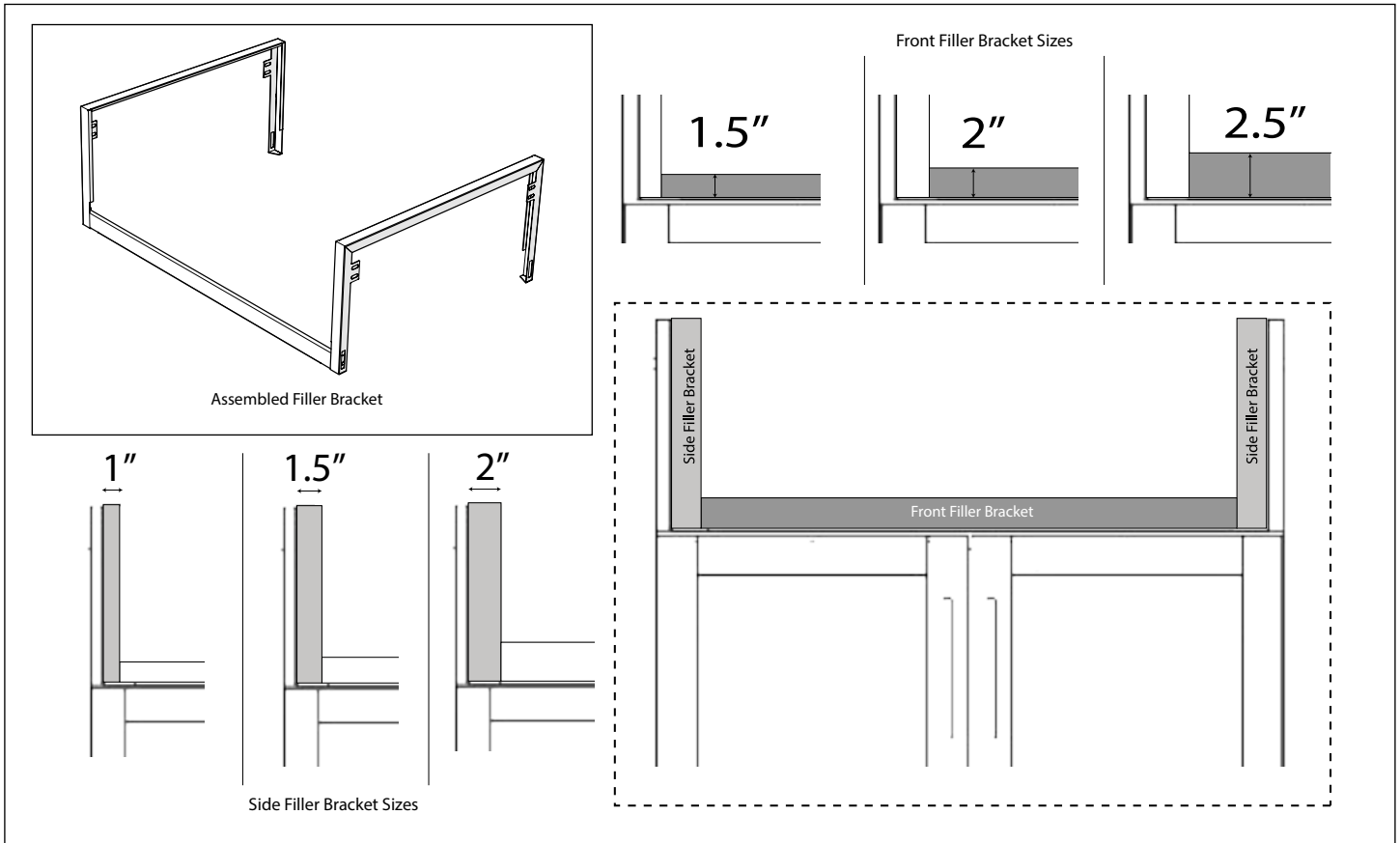


## Filler bracket Assembly

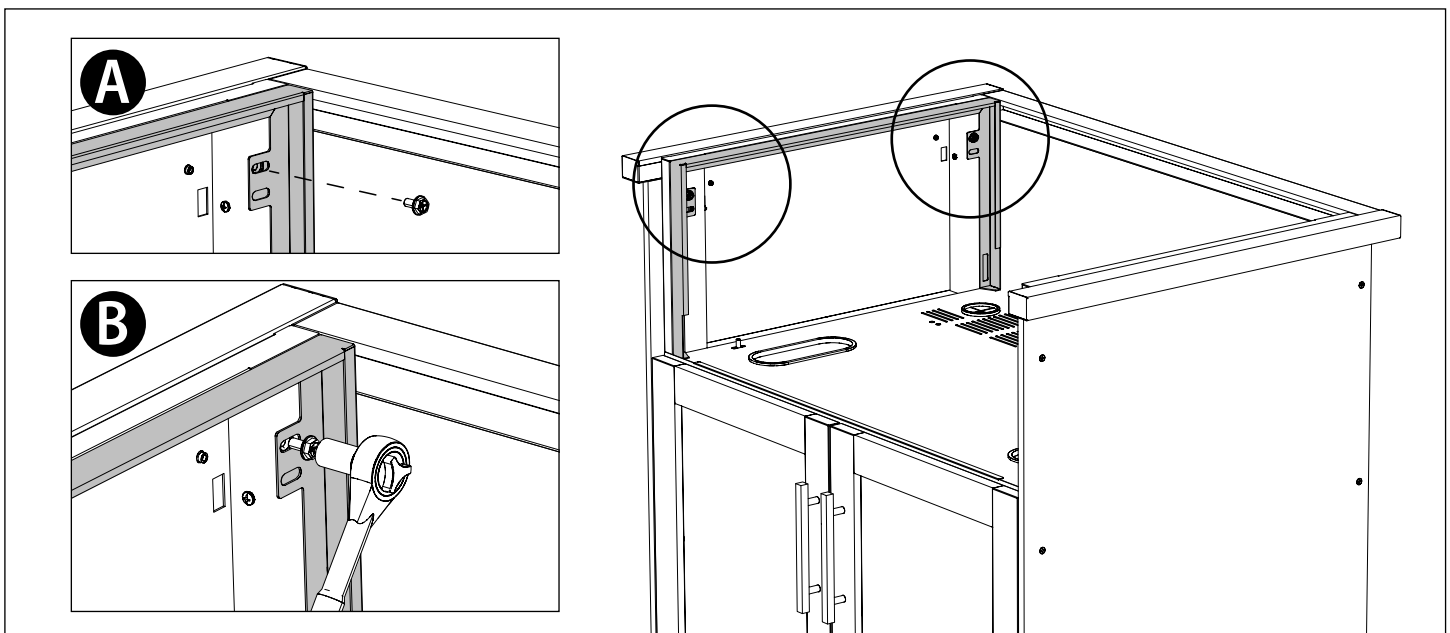
Item	Components	Size
1	Front Bracket (x1)	1.5"
2	Front Bracket (x1)	2"
3	Front Bracket (x1)	2.5"
4	Side Bracket (x2)	1"
5	Side Bracket (x2)	1.5"
6	Side Bracket (x2)	2"
7	Hex Head Screw(x12)	M6 x 12

# Installing Filler Bracket Kit for Insert Grill Cabinets

**i** The filler bracket kit can be assembled with the combination of 3 sizes of side brackets and 3 sizes of front brackets based on your requirement as per the size of the purchased Insert Grill Cabinet.

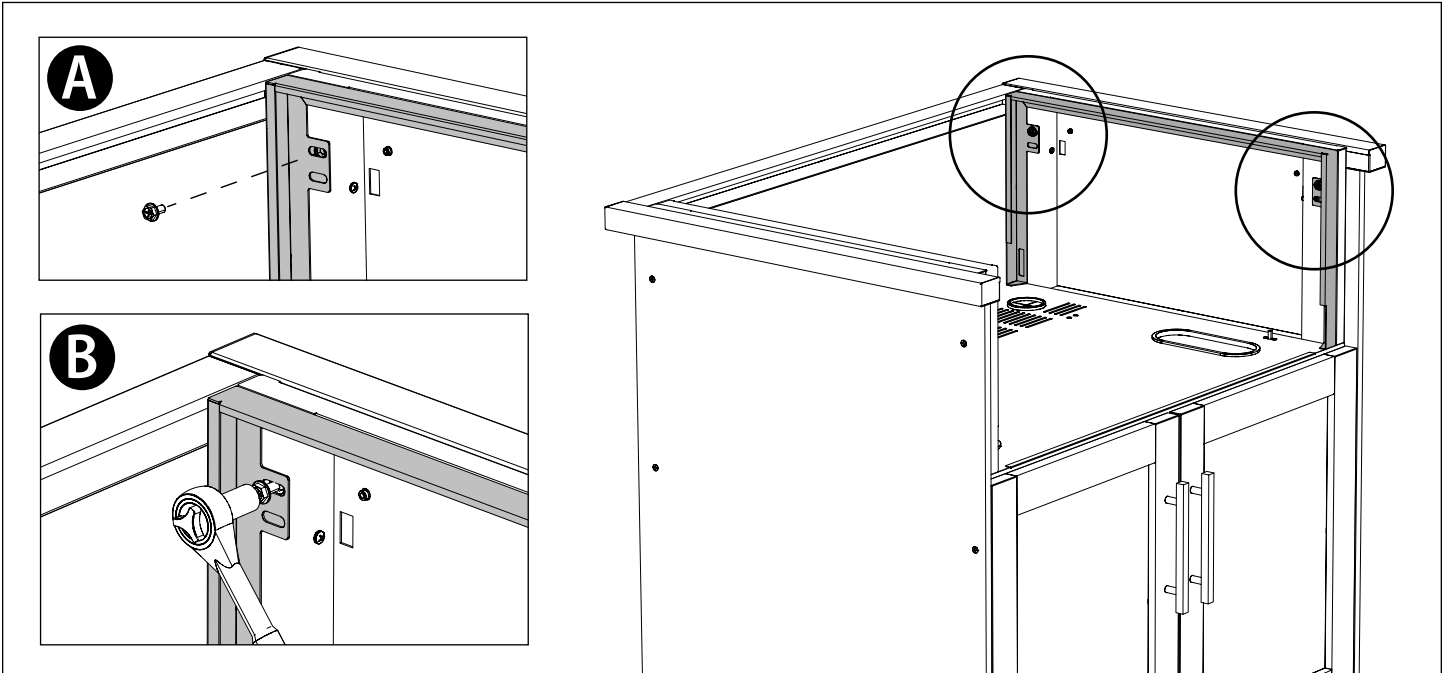


**1** First Install the left side bracket as per the required size with two bolts on the front and back side of the bracket(A). Use a socket wrench to tighten the two bolts(B).

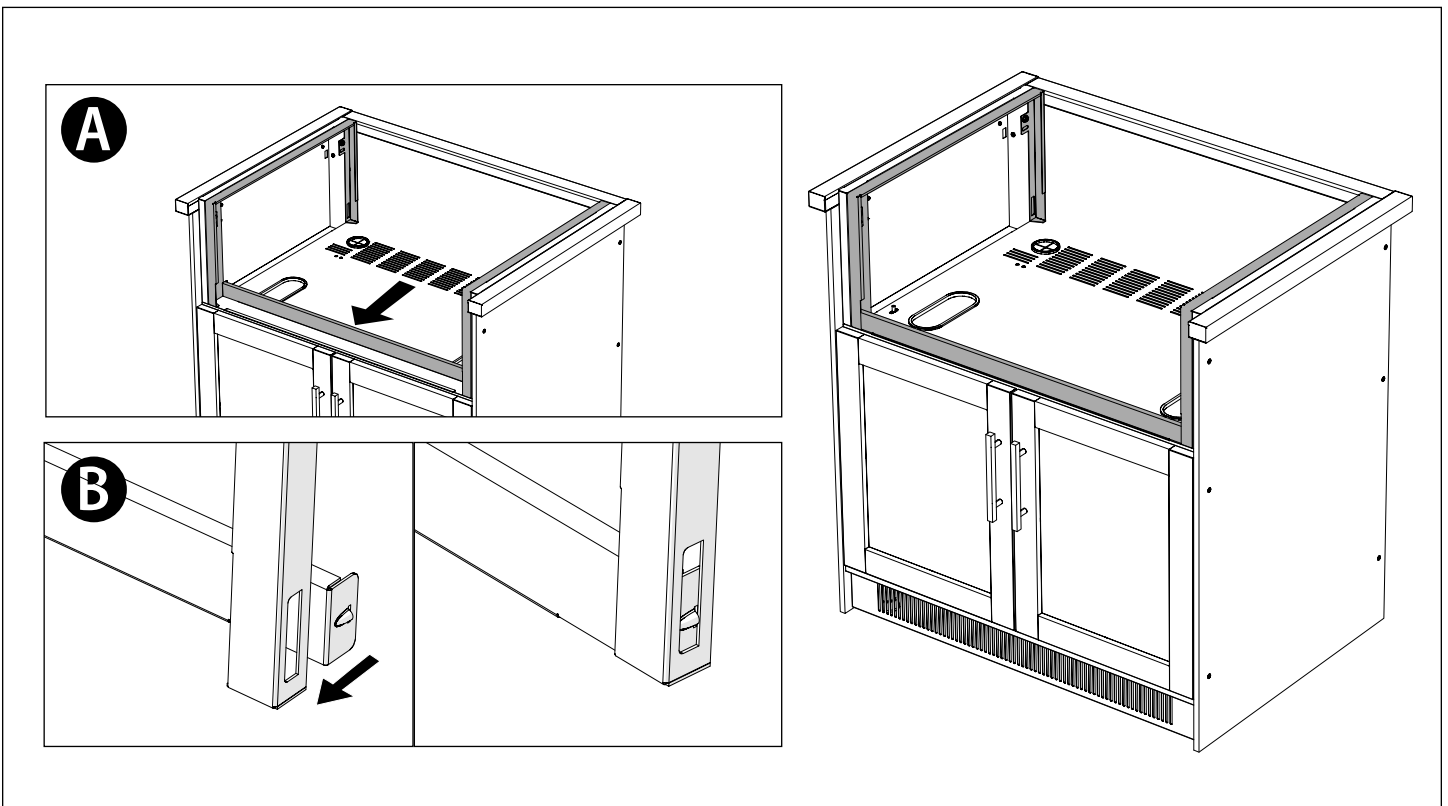


# Installing Filler Bracket Kit for Insert Grill Cabinets

- 2** Now Install the right side bracket as per the required size with two bolts on the front and back side of the bracket(A).  
Use a socket wrench to tighten the two bolts(B).



- 3** Slide the front bracket(A) from inside and Snap fit(B) the front bracket to the side brackets.

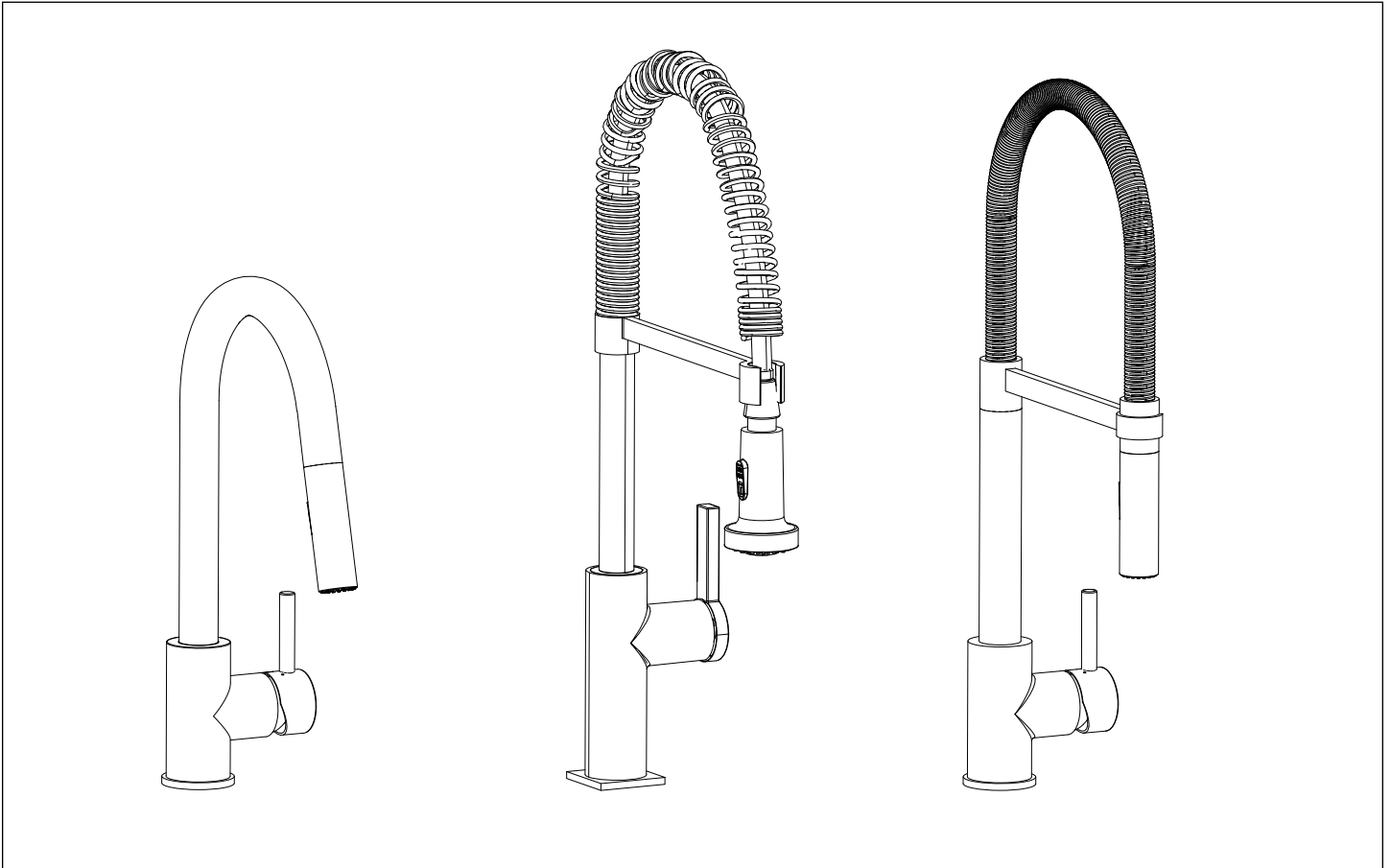


# **INSTALLING THE FAUCETS**

# Faucet Installation

---

**i** For the Installation instructions of NewAge Faucets, please refer to the FAUCET INSTALLATION GUIDE on the **NewAge Support-Hub Website**

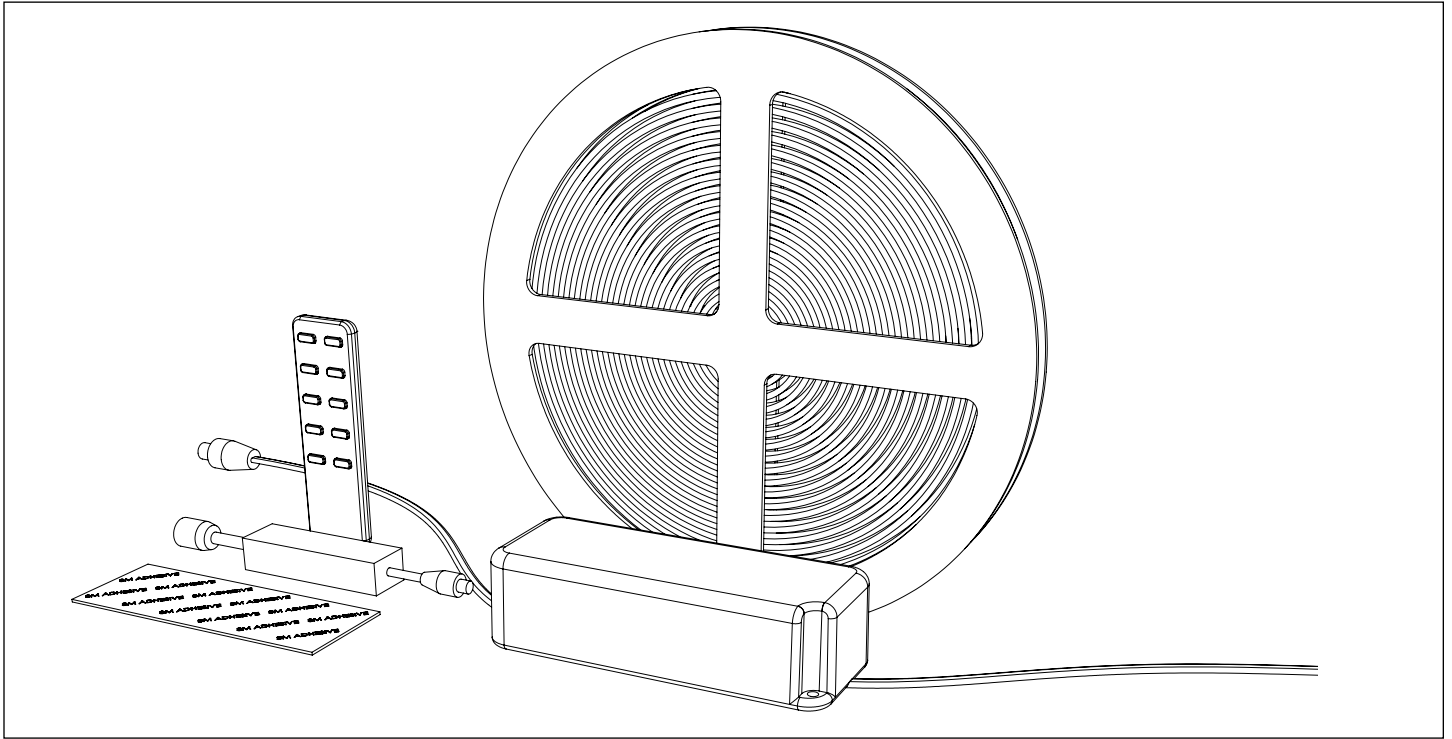




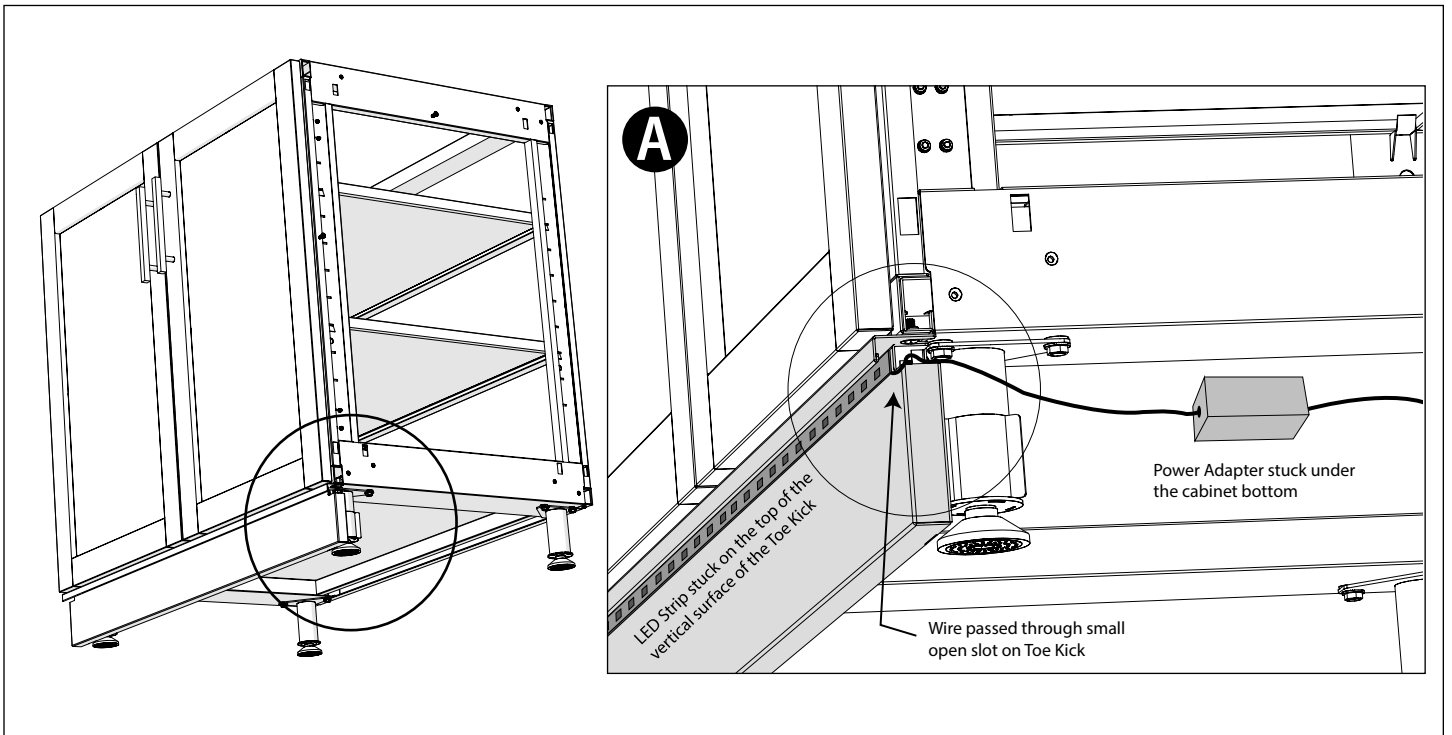
# **INSTALLING THE LED LIGHTS**

# LED Installation Kit

**i** For the Installation of the LED Kit, please refer to the LED OUTDOOR LIGHTING KIT INSTALLATION GUIDE on the **NewAge Support-Hub Website**.

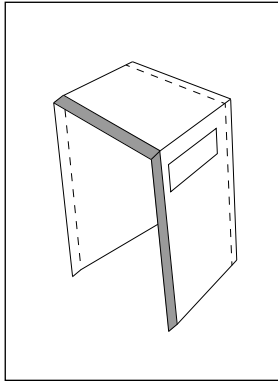


**i** **NOTE:** The LED Strip is installed on the Toe Kick as shown (A) with the Power Adapter that can be stuck to the bottom surface of the cabinets.

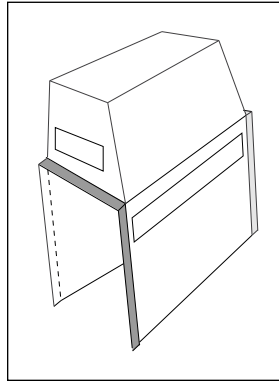


# **INSTALLING THE CABINET COVERS**

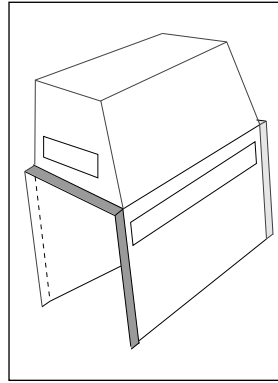
# Cabinet Covers



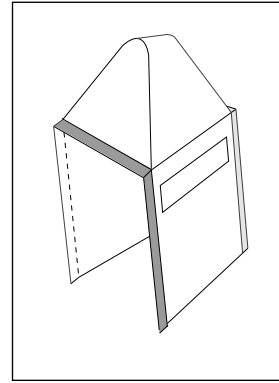
16in Side Burner Cover



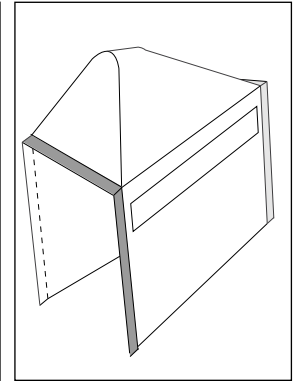
33in Platinum Grill Cabinet Cover



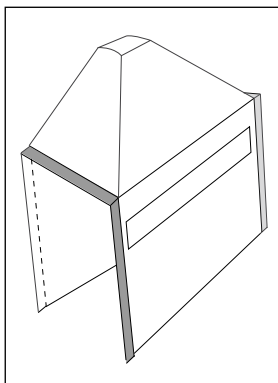
40in Platinum Grill Cabinet Cover



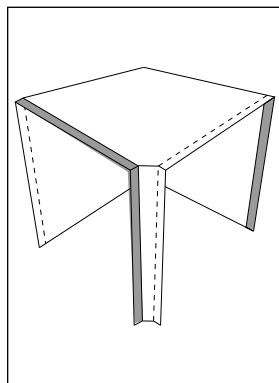
18in Sink Cabinet Cover



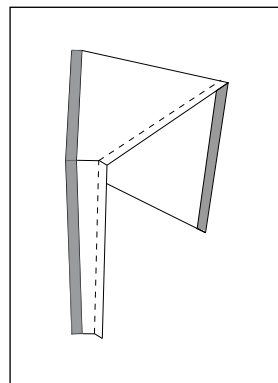
36in Sink Cabinet Cover



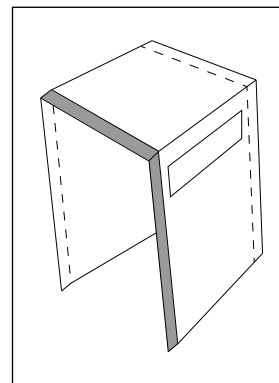
Kamado Cabinet Cover



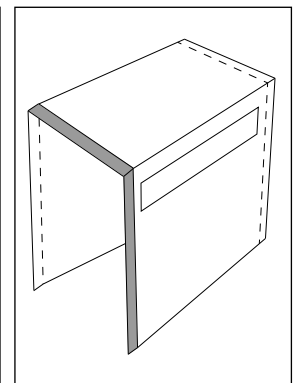
90° Corner Cabinet Cover



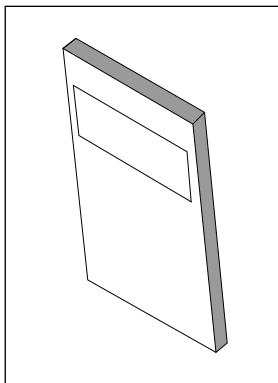
45° Corner Cabinet Cover



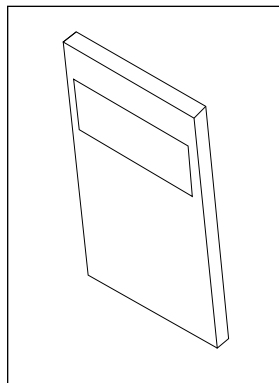
18in Cabinet Cover



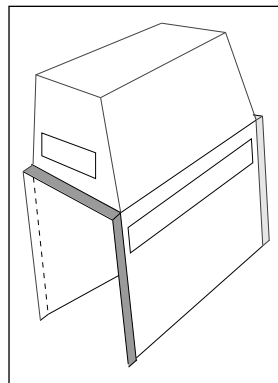
36in Cabinet Cover



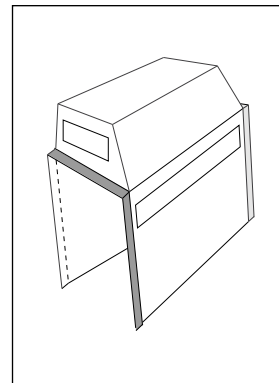
Cabinet Right End Cover



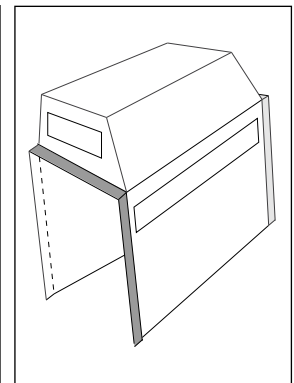
Cabinet Left End Cover



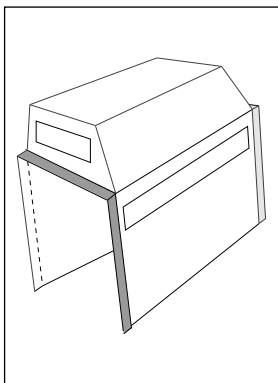
36in Platinum Grill Cabinet Cover



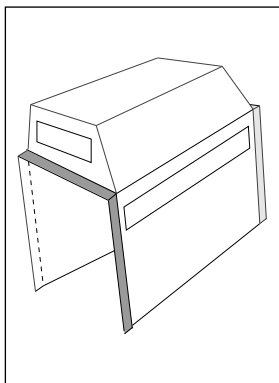
33in Performance Grill Cabinet Cover



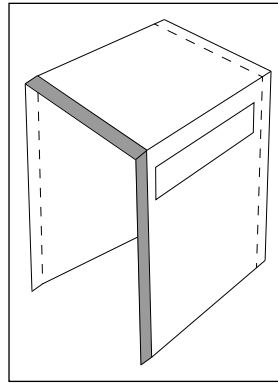
36in Performance Grill Cabinet Cover



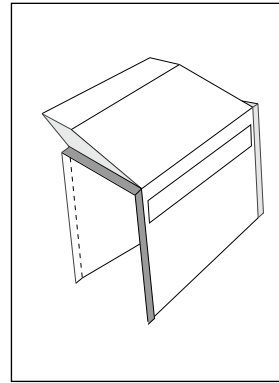
40in Performance Grill Cabinet Cover



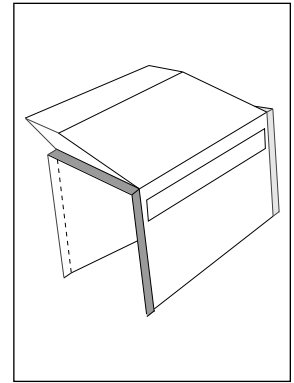
33in Platinum Built-in Pizza Oven Cabinet Cover



24in Cabinet Cover



54in Cabinet Set with Bar Countertop Cover



72in Cabinet Set with Bar Countertop Cover

# Cabinet Covers

Signature Outdoor Kitchen Cabinet Covers		
Callout	Description	SKU
1	Signature outdoor kitchen cabinets 16in Side Burner cabinet cover	66170
2	Signature outdoor kitchen cabinets 33in grill cabinet cover	66171
3	Signature outdoor kitchen cabinets 40in grill cabinet cover	66172
4	Signature outdoor kitchen cabinets 18in sink cabinet cover	66173
5	Signature outdoor kitchen cabinets 36in sink cabinet cover	66174
6	Signature outdoor kitchen cabinets kamado cabinet cover	66175
7	Signature outdoor kitchen cabinets 90deg corner cabinet cover	66176
8	Signature outdoor kitchen cabinets 45deg corner cabinet cover	66177
9	Signature outdoor kitchen cabinets 18in cabinet cover	66178
10	Signature outdoor kitchen cabinets 36in cabinet cover	66179
11	Signature outdoor kitchen cabinets right end cover	66180
12	Signature outdoor kitchen cabinets left end cover	66181
13	Signature outdoor kitchen cabinets 36in grill cabinet cover	66182
14	Signature outdoor kitchen cabinets 33in performance grill cabinet cover	66183
15	Signature outdoor kitchen cabinets 36in performance grill cabinet cover	66184
16	Signature outdoor kitchen cabinets 40in performance grill cabinet cover	66185
17	Signature outdoor kitchen cabinets 24in cabinet cover	66186
18	Signature outdoor kitchen cabinets 54in cabinet set with bar countertop cover	66187
19	Signature outdoor kitchen cabinets 72in cabinet set with bar countertop cover	66188
20	Signature outdoor kitchen cabinets 33in Built-in Pizza Oven cover	66189

# Standard Set Cabinet Cover

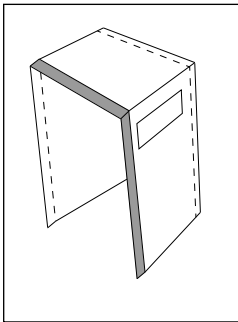
The Standard Set is created with the standard cover sizes of cabinet covers and the right and left end covers.



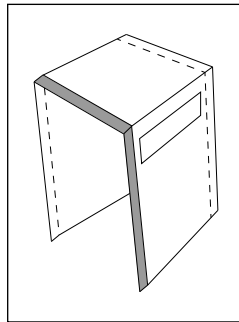
For the standard cabinets, the length of Main cover piece is one inch more than the length of the respective cabinets (in order to be able to attach the covers sequentially for a cabinet set.)

There are 4 different sizes for the Main standard covers which are for the 16", 18", 24" (Fridge) and 36" cabinets, respectively.

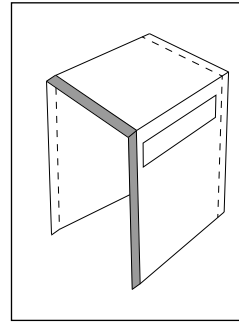
One or more covers can be used depending on the type of the set to cover the cabinets.



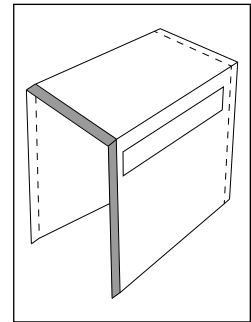
16in Side Burner Cover



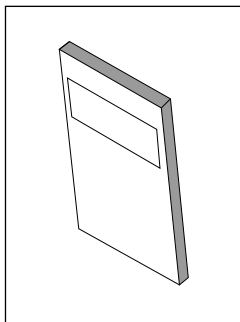
18in Cabinet Cover



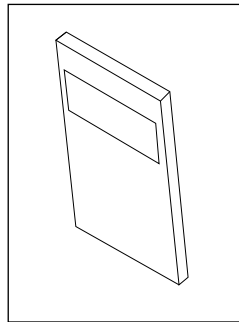
24in Cabinet Cover



36in Cabinet Cover



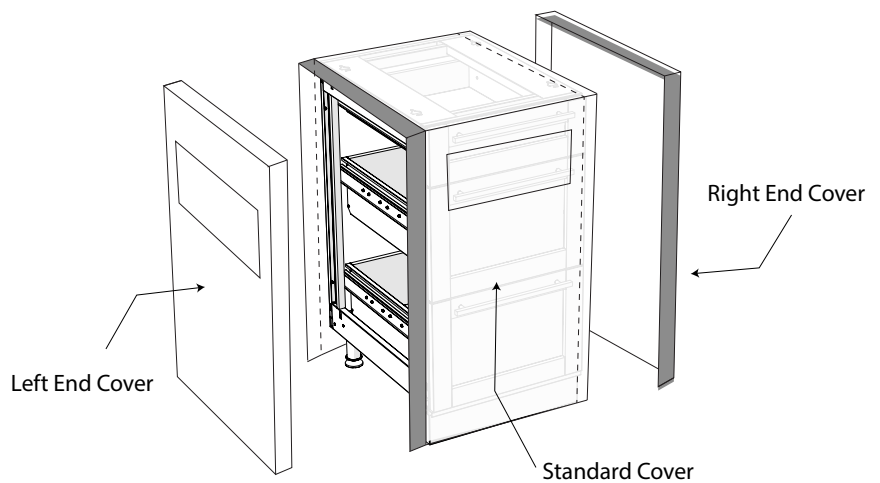
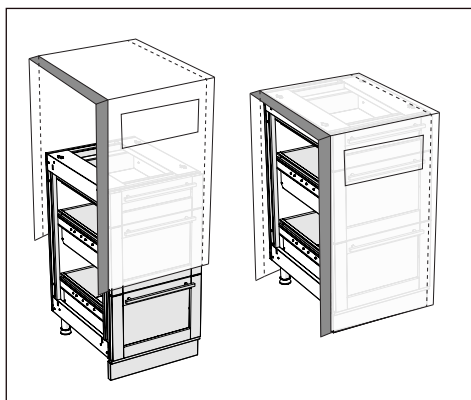
Cabinet Right End Cover



Cabinet Left End Cover



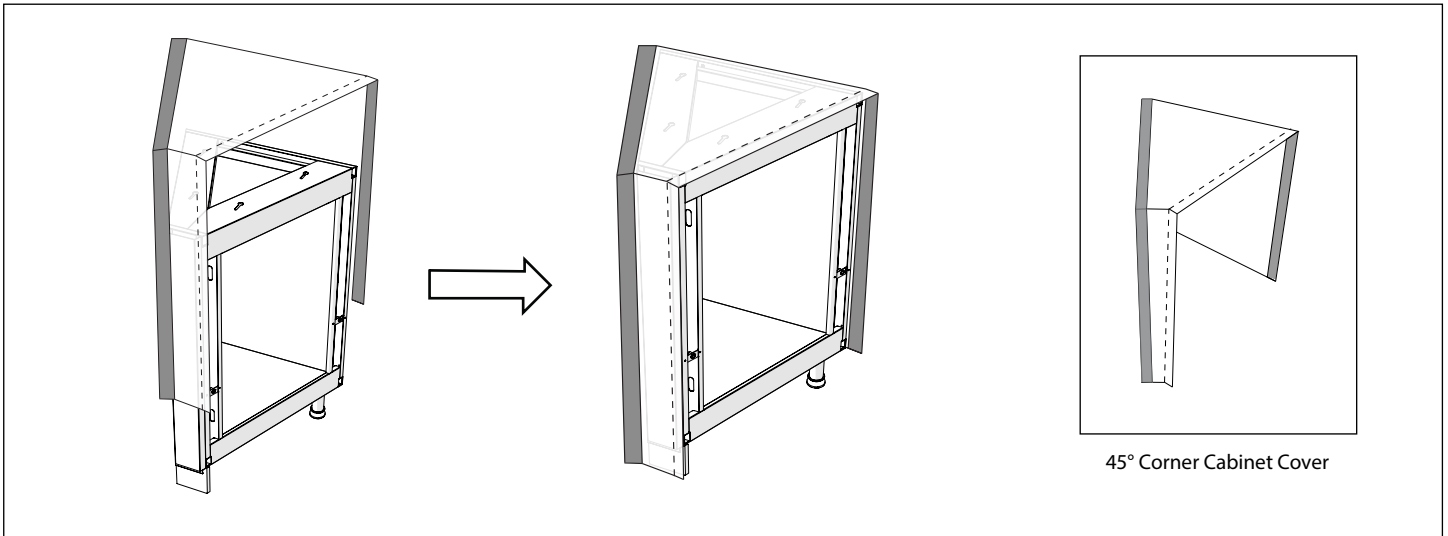
**NOTE :** The Right and Left End covers are universal and are used to cover the two ends of all types of cabinet sets.



# 45° Corner Cabinet Cover



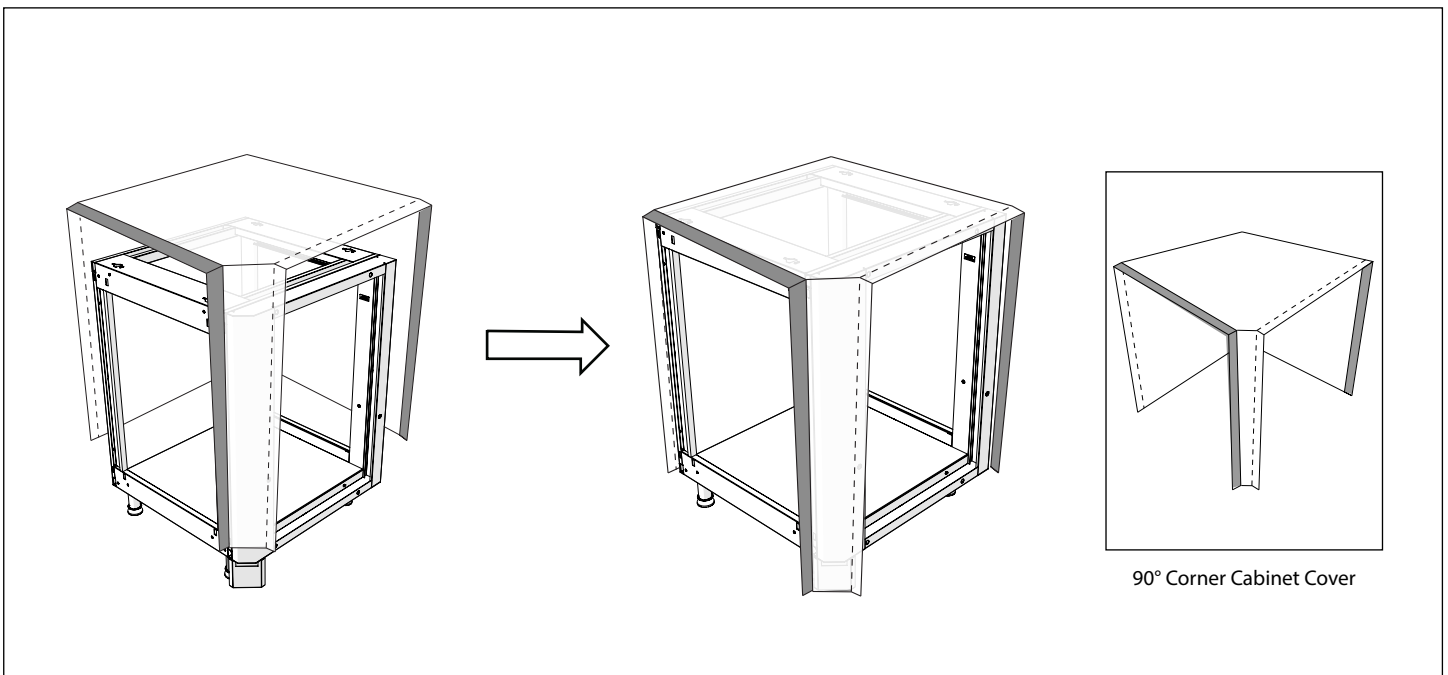
The 45° Corner cabinet cover is used for the corner cabinet set layouts. It is always accompanied with other covers depending on the type of corner set and number of cabinets. Velcro is given at both ends for joining other covers in the set.



# 90° Corner Cabinet Cover



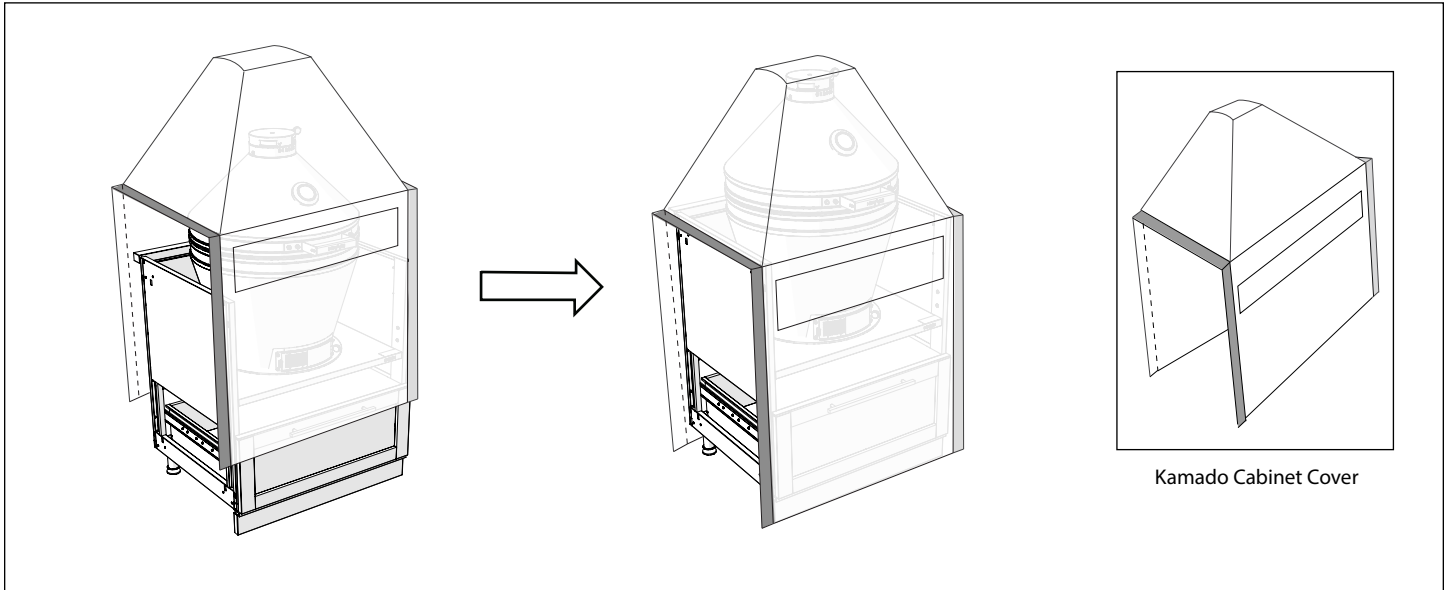
The 90° Corner cabinet cover is used for the corner cabinet, "L" cabinet and "U" Cabinet set layouts. It is always accompanied with other covers depending on the type of set and number of cabinets. Velcro is given at both ends for joining other covers in the set.



# Kamado Cabinet Cover



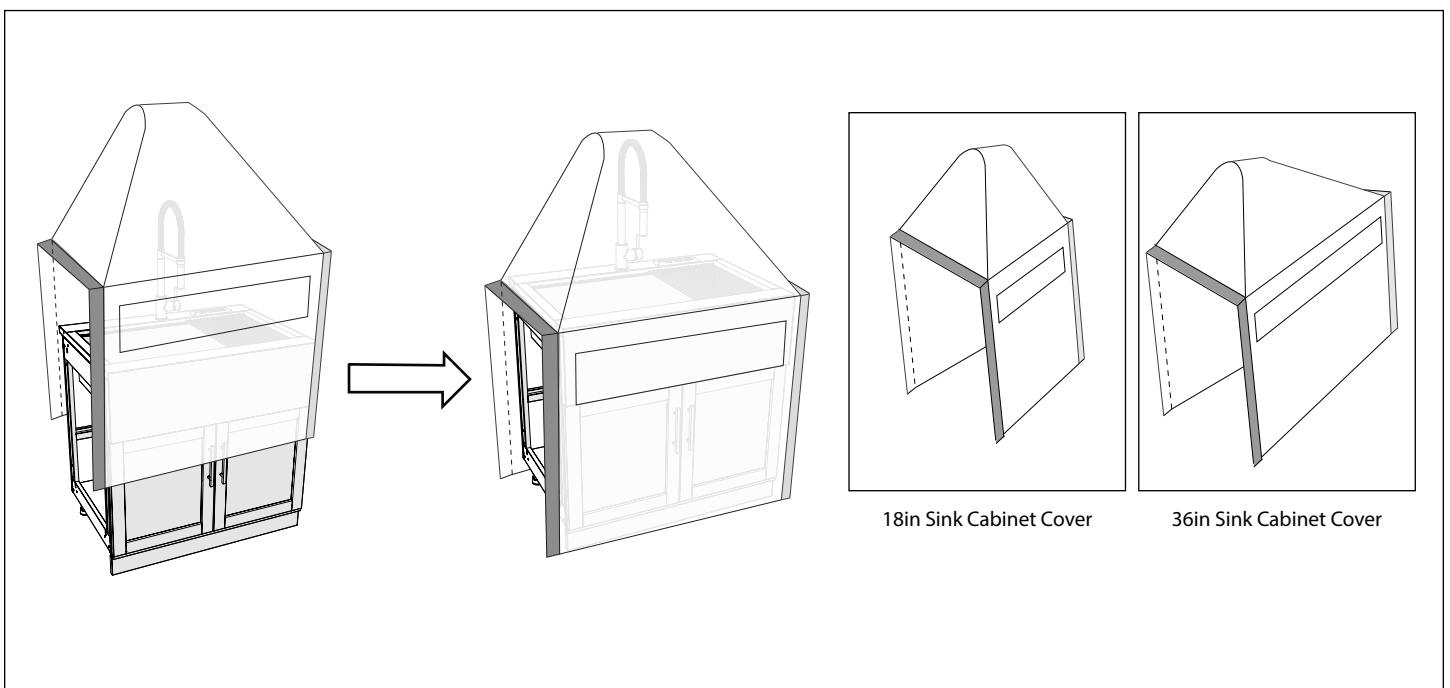
The Kamado cover is used for a set that includes the Kamado Cabinet with the Kamado Grill. It is always accompanied with other covers depending on the type of set and number of cabinets. Velcro is given at both ends for joining other covers in the set.



# Sink Cabinet Covers



The Sink Cabinet Covers are used for a set that includes the sink cabinets with the faucets for both 18in and 36in sizes. It is always accompanied with other covers depending on the type of set and number of cabinets. Velcro is given at both ends for joining other covers in the set.





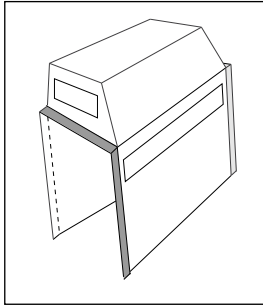
# Appliance Covers



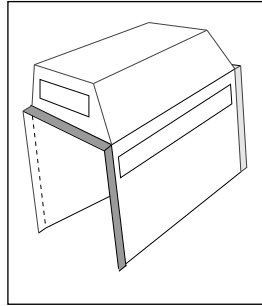
The appliance Covers are used for a set that includes the 33", 36" and 40" Grill Cabinets with the Insert Grill and Built-in Pizza oven.

It is always accompanied with other covers depending on the type of set and number of cabinets.

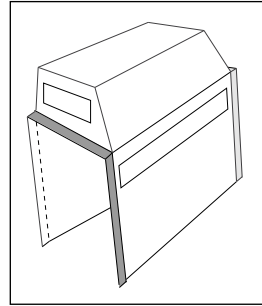
Velcro is given at both ends for joining other covers in the set.



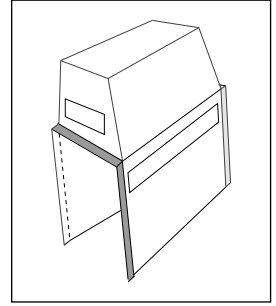
33" Platinum Grill Cabinet Cover



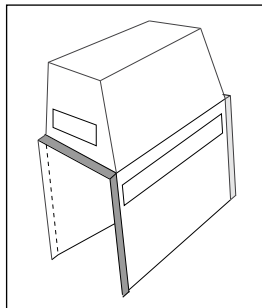
40" Platinum Grill Cabinet Cover



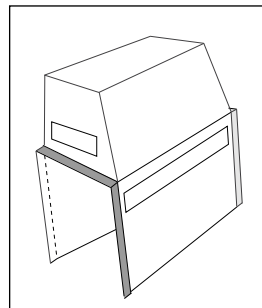
36" Platinum Grill Cabinet Cover



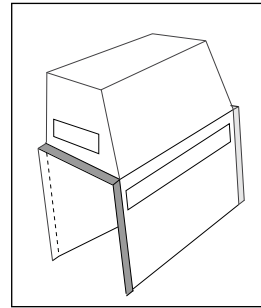
33" Performance Grill Cabinet Cover



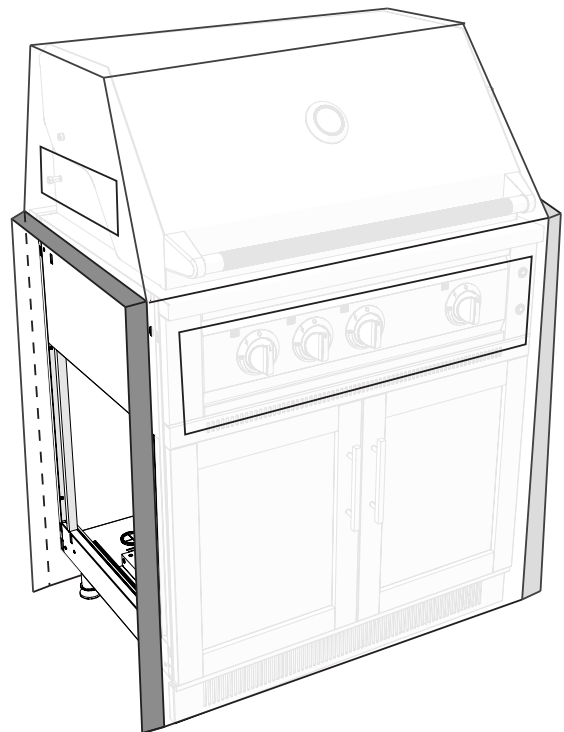
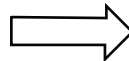
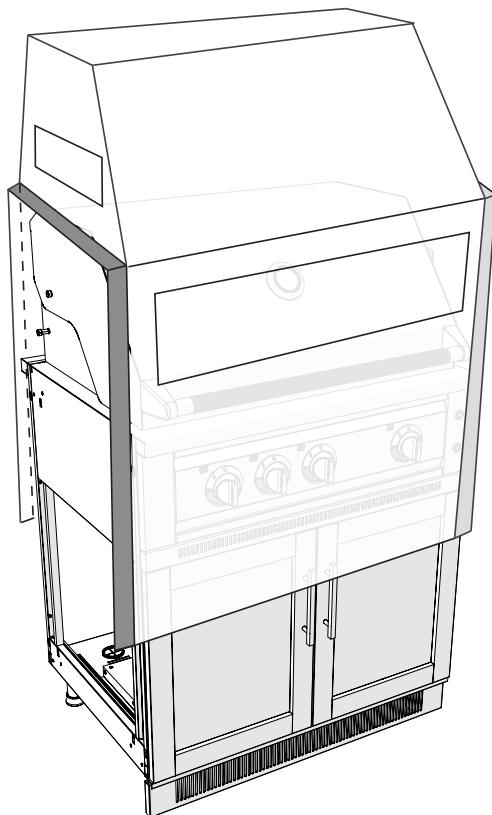
36" Performance Grill Cabinet Cover



40" Performance Grill Cabinet Cover



33" Platinum Built-in  
Pizza Oven

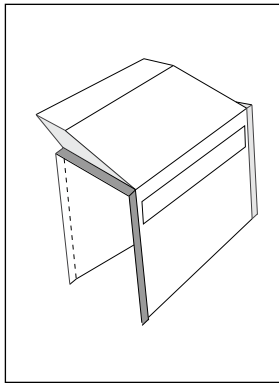


# Cabinet Sets with Bar Countertop Covers

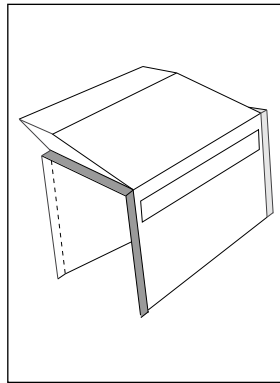


The Cabinet Sets with Bar Countertop Covers are used for a set that includes the 54" and 72" Cabinet Sets with the Bar Countertop.

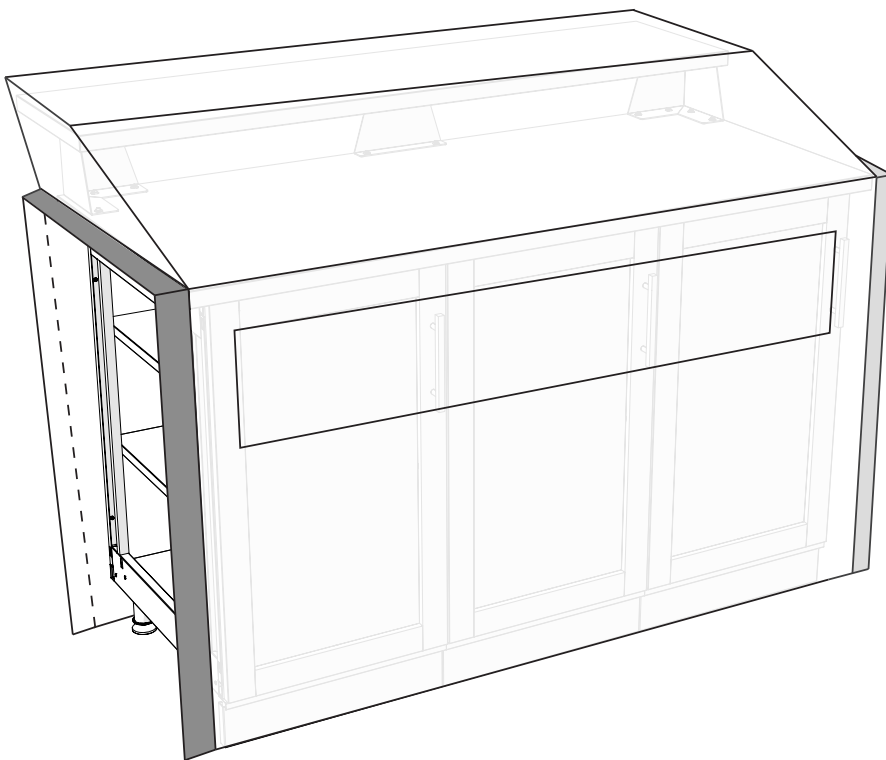
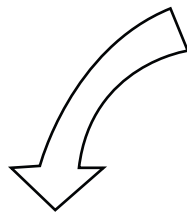
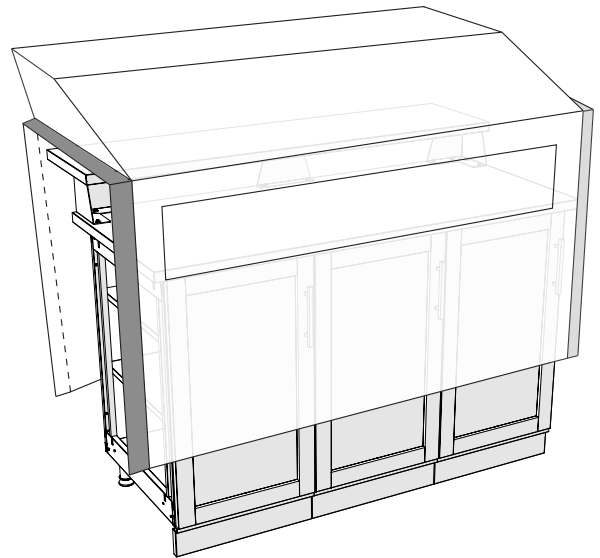
It is always accompanied with other covers depending on the type of set and number of cabinets. Velcro is given at both ends for joining other covers in the set.



54in Cabinet Set  
with Bar Countertop Cover



72in Cabinet Set  
with Bar Countertop Cover

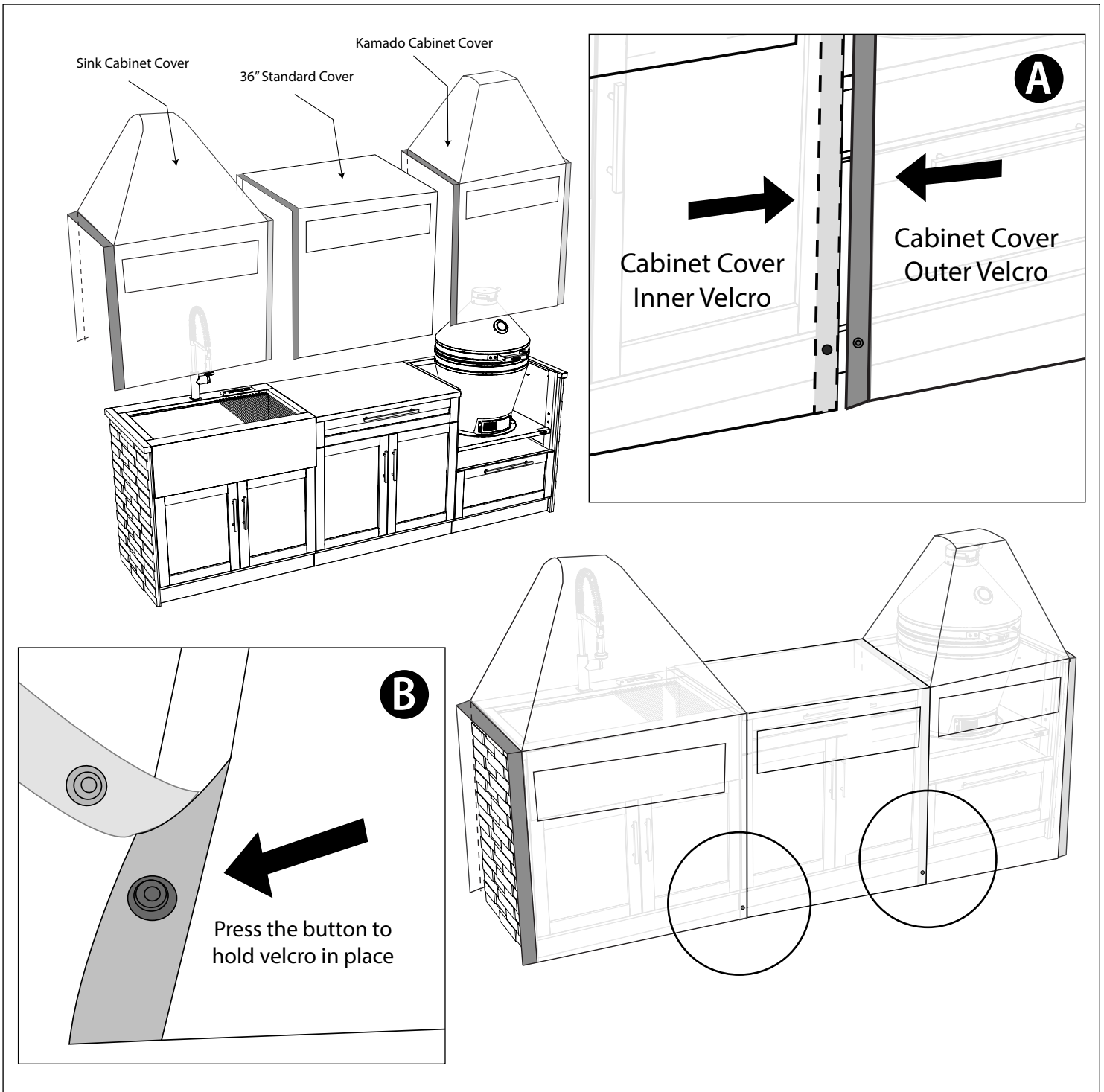


# Installing the Cabinet Covers on Sets

**i** **NOTE** : The STEPS shown below is an example of joining the covers for the cabinet set.

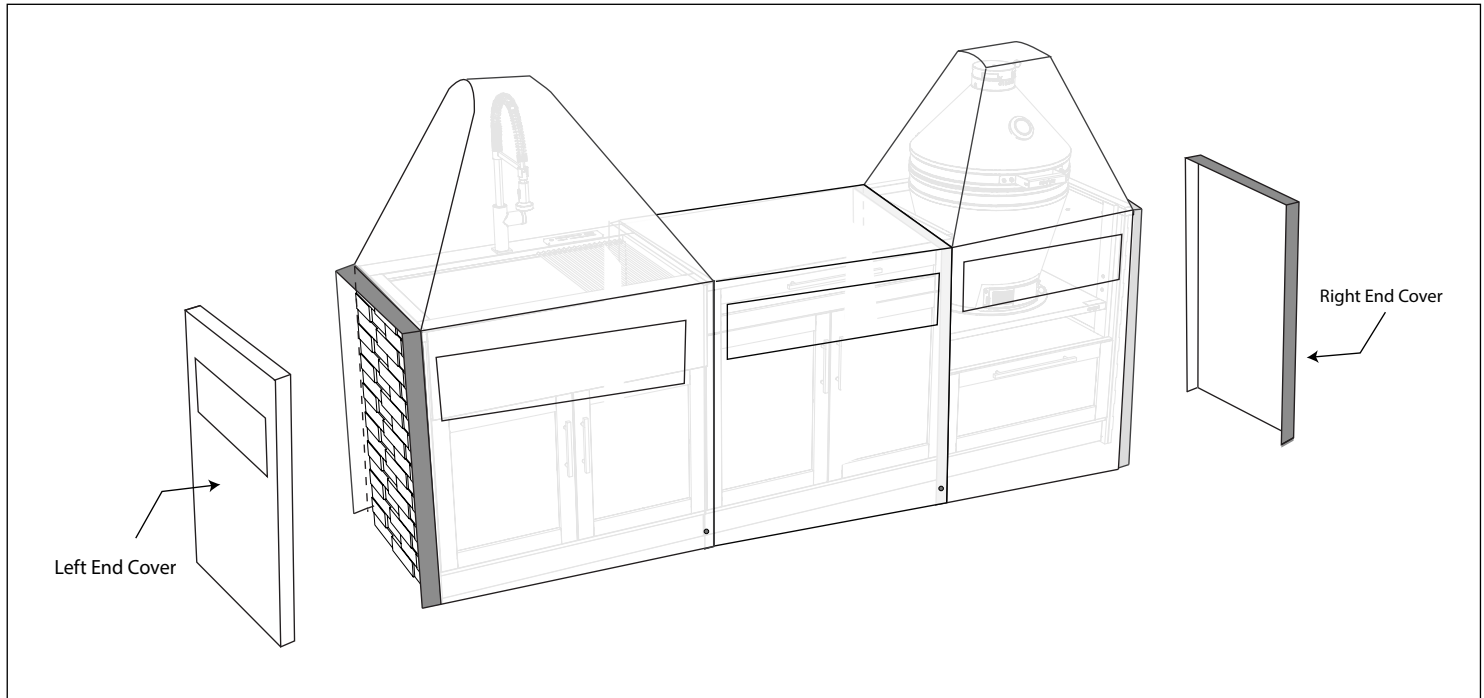
Place the respective covers on top of the individual cabinets and make sure the Vents are located on the front face of the cabinets.

**1** Join all the covers with velcro(A) and snap the buttons(B) at all ends of the velcro strip on the covers.

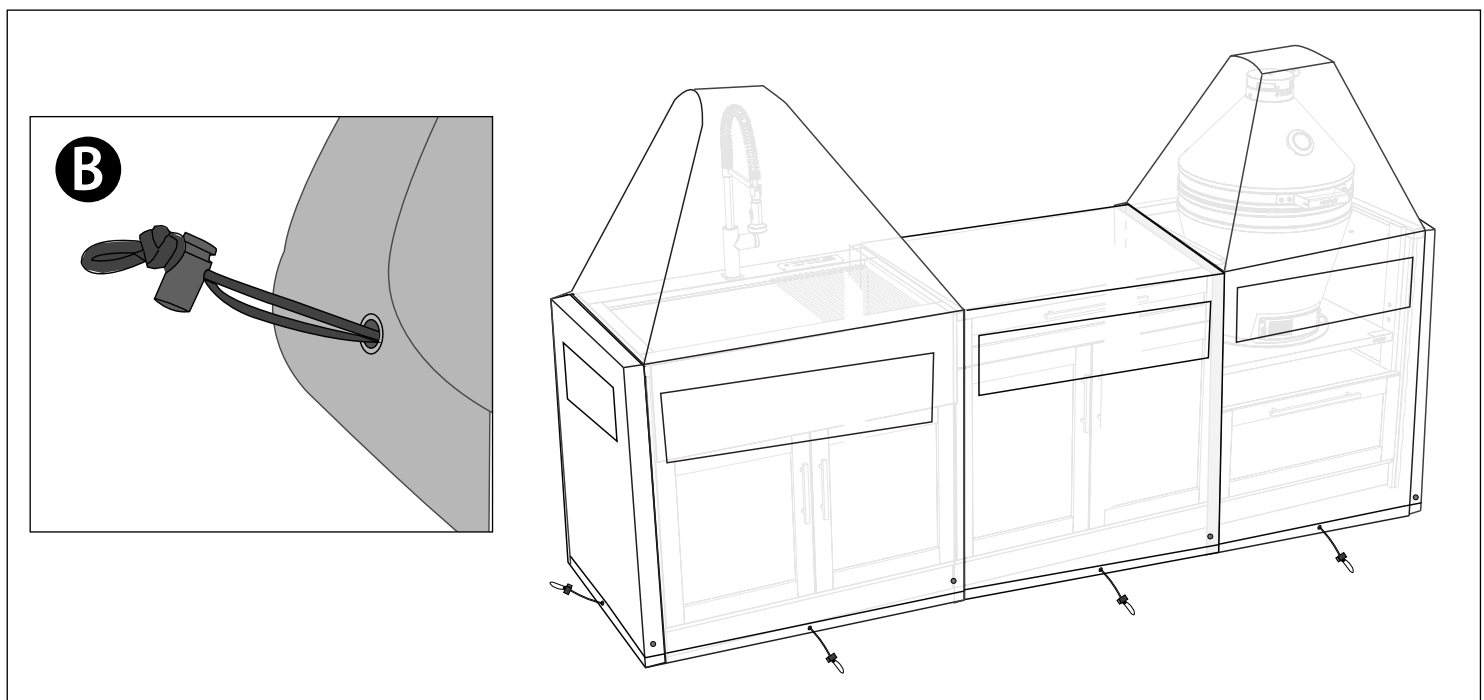


# Installing the Cabinet Covers on Sets

- 3** Join the universal left and right end covers to complete the cover set.



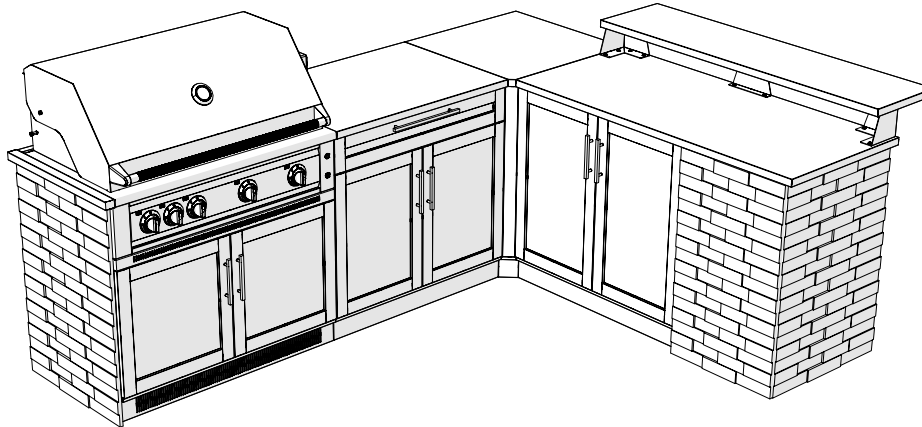
- 3** Now pull the bungee straps(A) from the center of each cabinet and side end covers to secure all the covers in place.



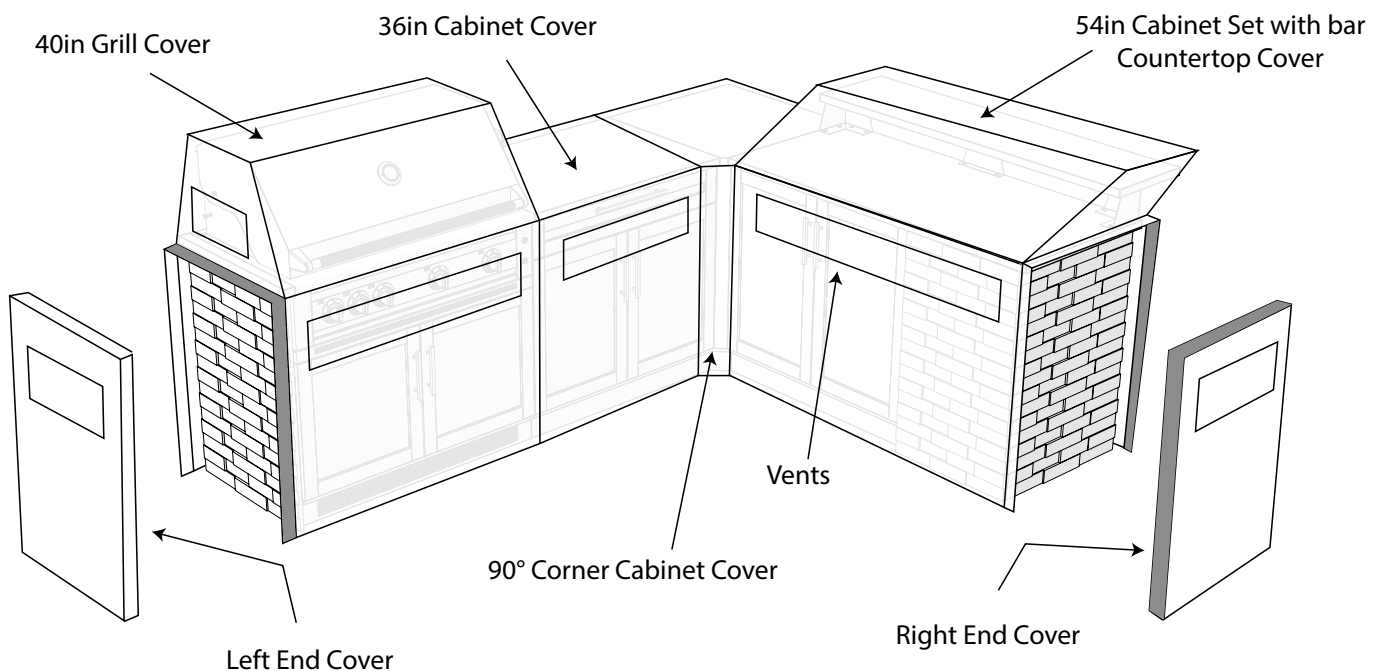
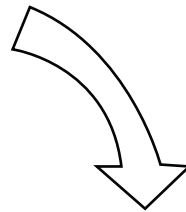
# Cabinet Large Set Cover Example

**i** The Cabinet Large Set Example shows the use of all the covers to understand its application. The covers are dependant on the type of sets.

**i** **NOTE** : It is required to purchase the covers based on the type of set configuration.



**i** **NOTE** : The Vents provided for each cover should always be on the front face of the main covers.



# **CLEANING AND CARE**

# Care and Maintenance of your Stainless Steel Cabinets

---

## Perform Regular Maintenance

Wash regularly with clean fresh water, mild detergent and a micro fiber cloth.

After washing rinse in clean water and wipe the surface dry with your cloth remembering to go with the grain on brushed stainless steel.

Generally you should wash your stainless steel every three months. Coastal areas or next to a chlorine pool more frequently every 2 weeks.

Do not use abrasive cleaners or a scouring pad of any type as they will cause excessive wear and dull the finish.

Stainless steel finishes in coastal environments may show tea staining if not washed regularly.

We recommend Hopes "Perfect Stainless" as a cleaner with a microfiber cloth.

For better protection use a thin coating of protectant on the surface. We do not recommend using this coating for food prep areas.

## List of common conditions that cause corrosion or discoloration of stainless steel and should be avoided:

1. Chloride containing cleansers – this includes bleach and any cleaners containing bleach
2. Muriatic acid (hydrochloric acid) – commonly used to clean up after tile/concrete installation
3. Concentrated soap residue – chemical additives will cause discoloration and some dried soaps actually look like rust
4. Water with high iron content – can leave a rusty residue, especially if allowed to drip continuously
5. Contact with iron materials – including steel wool, iron residue/dust from installation or cleaning of other steel products
6. Trapped moisture between the product and cover – rubber mats, metal cans or cleaner cans- Allow cabinets to completely dry before covering.
7. Salts – contain chlorides
8. Extreme Heat by Flame
9. Do not permit citrus or tomato juice to remain on stainless steel surfaces.
10. No abrasive cleaners, steel wool pads, or abrasive cloths as they will scratch the finish.

## OXIDIZATION Removal

If you have oxidation there are a few steps to take to bring your stainless steel cabinets back to "as new" condition.

Apply clean water with a cleaning sponge and rub gently in the direction of the grain. If the mark won't shift, it may be necessary to use a stainless steel cleaner, in which case apply the cleaner and rub gently. After cleaning it is important to rinse the stainless steel with clean fresh water and buff with a soft cloth. Remember to always rub with the grain, NEVER across as you will ruin the finish, and the stainless can lose its shine. If you must use a scourer, use a plastic scrub pad with no metal content.

# Care and Maintenance of your Granite Countertops

---

Our granite countertop does not come pre-sealed. We suggest applying a sealant to the granite countertops for a long-lasting product. If the customer decides to apply a sealant, then the customer should follow the sealant's manufacturer guidelines on the application on granite. If the customer decides not to apply sealant, any spill will need to be wiped off as soon as it happens. In the case of outdoor use, a cover is required when not in use.

**Attention:** Do not attempt to cut the Granite Countertops. The granite tops are made from mixed materials.

**Attention:** For outdoor use, we require the use of a cover to protect from the environment when not in use or to apply a sealant.

The consumer is responsible for proper use and maintenance of the granite countertop, please see following points that should be followed.

## Usage :

### DO :

- Use coasters for cups, glasses and bottles, especially alcohol or acidic beverages, as these have potential to stain granite stone.
- Use a hot pad for hot dishes, drinks and pots and pans. Hot pots and pans can stain/burn granite.

### Do Not :

- Directly use the granite as a cutting surface, use a cutting board for chopping.
- Don't turn your countertop into a worktable or worktop, heavy objects dropped on the top can easily crack or damage the granite, and sharp objects may scratch the surface.

## Maintenance :

### DO :

- Use a mild solution of warm water and soap to remove dirt and grime.
- Use a soft cloth when cleaning surface.

### Do Not :

- Do not use a brush or scouring pad or any other similar implement with rough surfaces.
- Don't use vinegar, bleach, ammonia, other general purpose cleaners, bathroom cleaners or tub and tile cleaners.
- Don't use abrasive cleaners such as dry cleansers or soft cleansers.
- Don't use alkaline cleaners not specifically formulated for stone.
- Don't use lemon juice, oils or acidic substances to clean the granite.
- Don't spill acidic substances like tomato sauce, coffee, or wine, on your countertop. Clean up spills immediately to minimize permanent damage to the granite.



# Care and Maintenance of your Fiber Cement Panels

---

The consumer is responsible for proper use and maintenance of the Fiber Cement Panels, please see following points that should be followed.

## Usage and Installation:

### DO:

- Wear the industrial rated face mask while cutting the fiber cement panels to protect yourself from the dust.
- Use the recommended mortar or adhesive products as per the regional regulations for applying the finishing materials on the fiber cement panels.

### Do Not :

- Overtighten the screws for connecting the fiber cement panels to the cabinet frames to avoid cracking and damaging the panels.

## Maintenance :

### Do Not :

- Do not expose the fiber cement panel inside the cabinet to water or any other liquid.

# Spare Parts

Spare Part SKU#	Spare Part Description	Engineering Part Number	Cabinetry used for SKU#
<b>65647</b>	(1X) SS handles (short) (2X) CSK Head M4X25mm Bolt	OKC1-19.003A-01	66100, 66101, 66102, 66104, 66105, 66106, 66107, 66109, 66110, 66112, 66117
<b>65646</b>	(1X) SS handles (long) (2X) CSK Head M4X25mm Bolt	OKC1-25.003A-01	66103, 66107, 66108, 66110, 66111, 66112
<b>65840</b>	Garnish trays for bar cabinet	H00242A-01	66112
<b>66470</b>	Bar Cabinet - Wine rack	OK2-13.009A-01	66112
<b>66471</b>	Bar Cabinet - Ice Tray	OK2-13.010A-01	66112
<b>66472</b>	(1x) Knife holder for sink cabinet	OKC1-08.005A-01	66104
	(1x) SS Cap for Knife Holder	OKC1-08.004A-01	
<b>66473</b>	(1X) SS 40in Toe Kick with LED plate (4X) Pan head screws M4X10mm	OK2-03.004.01.01A-01 H00204A-01	66102
<b>66474</b>	(1X) SS 36in Toe Kick with LED plate (4X) Pan head screws M4X10mm	OK2-29.004.01.01A-01 H00204A-01	66117
<b>66475</b>	(1X) SS 33in Toe Kick with LED plate (4X) Pan head screws M4X10mm	OK2-02.004.01.01A-01 H00204A-01	66101
<b>66476</b>	(1X) SS 28in Kamado Toe Kick with LED plate (4X) Pan head screws M4X10mm	OK2-04.004.01.01A-01 H00204A-01	66103
<b>66477</b>	(1X) SS 18in Toe Kick with LED plate (4X) Pan head screws M4X10mm	OK2-06.003.01.01A-01 H00204A-01	66105, 66106, 66107, 66108
<b>66478</b>	(1X) SS 16in DSB Toe Kick with LED plate (4X) Pan head screws M4X10mm	OK2-01.003.01.01A-01 H00204A-01	66100
<b>66479</b>	SS 16in DSB Cabinet door (With Magnetic gasket without hinges)	OK2-01.002A-01	66100
<b>66480</b>	SS 33in Grill Cabinet LH & RH door (With Magnetic gasket without hinges)	OK2-02.002A-01 OK2-02.003A-01	66101
<b>66481</b>	SS 36in Bar Cabinet LH & RH door (With Magnetic gasket without hinges)	OK2-11.003A-01 OK2-13.003A-01	66112
<b>66482</b>	SS 40in Grill Cabinet LH & RH door (With Magnetic gasket without hinges)	OK2-03.002A-01 OK2-03.003A-01	66102
<b>66483</b>	SS 36in Farmhouse Sink Cabinet LH & RH door (With Magnetic gasket without hinges)	OK2-05.002A-01 OK2-05.003A-01	66104, 66117
<b>66484</b>	SS 18in 1-Door Cabinet door (With Magnetic gasket without hinges)	OK2-07.002A-01	66106
<b>66485</b>	SS 18in 1-Door with drawer Cabinet (With Magnetic gasket without hinges)	OK2-08.003A-01	65035

# Spare Parts

Spare Part SKU#	Spare Part Description	Engineering Part Number	Cabinetry used for SKU#
<b>66486</b>	SS 36in 2-Door Cabinet LH & RH door (With Magnetic gasket without hinges)	OK2-10.002.01A-01 OK2-10.003.01A-01	66109
<b>66487</b>	SS 36in 2-Door with drawer Cabinet LH & RH door (With Magnetic gasket without hinges)	OK2-11.003.01A-01 OK2-11.004A-01	66110
<b>66488</b>	(1X) SS 18in top drawer front panel (With Rubber gasket) (4X) Pan head screws M4X10mm	OK2-08.002.01A-01 H00204A-01	66107, 66108
<b>66489</b>	(1X) SS 18in middle drawer front panel (4X) Pan head screws M4X10mm	OK2-09.002.01A-01 H00204A-01	66108
<b>66490</b>	(1X) SS 36in top drawer front panel (4X) Pan head screws M4X10mm	OK2-11.002.01A-01 H00204A-01	66110, 66111
<b>66491</b>	(1X) SS 36in middle drawer front panel (4X) Pan head screws M4X10mm	OK2-12.002.01A-01 H00204A-01	66111
<b>65860</b>	Grey Garbage Can	H00241A-01	66112
<b>65845</b>	Levelling leg	H00196A-01	All SKU's
<b>66492</b>	Signature Cabinet Leg	OK2-01.004A-01	
<b>66493</b>	Signature Cabinet 36in Shelves	OK2-10.004A-01	66104, 66109, 66110, 66112, 66114, 66117
<b>66494</b>	Signature Cabinet 18in Shelves	OK2-07.003A-01	66105, 66106, 66107, 66113
<b>65844</b>	Shelve Clips	OKC1-07.007A-01	
<b>66495</b>	(1X) Bottle Opener (2X) CSK Head M4X10mm Bolt	H00243A-01 H00207A-01	66112
<b>66496</b>	Signature Outdoor Kitchen Sink Cabinet - Dry Rack	OK2-05.005A-01	66104
<b>66497</b>	Outdoor Kitchen Kamado Cabinet - Mat	H00244A-01	66103
<b>66498</b>	(1X) Door Hinges (6X) CSK Head M4X10mm Bolt	H00206A-01 H00207A-01	All SKU's
<b>66499</b>	(1X) Door Magnet with Latch plate (2X) Pan Head screws M4X10mm (2X) CSK Head M4X10mm Bolt	H00209A-01,H00205A-01, H00207A-01,H00204A-01	All SKU's
<b>66500</b>	(1X) 22in Length Slide pair LH & RH for Garbage Bin (12X) Slide Screw	H00240A-01 H00213A-01	66112

# Spare Parts

Spare Part SKU#	Spare Part Description	Engineering Part Number	Cabinetry used for SKU#
<b>66501</b>	(1X) 20in Length Slide pair LH & RH for Drawer, (12X) Slide Screw	H00295A-01 H00213A-01	66103, 66107, 66108, 66110, 66111
<b>66502</b>	(1X) 16in Length Slide pair LH & RH for Propane Tank Tray Assy (12X) Slide Screw	H00217A-01 H00213A-01	66100, 66101, 66102, 66117
<b>66503</b>	(2X) Toe Kick clip (4X) Pan head screws M4X10mm	OK2-01.003.02A-01 H00204A-01	All SKU's
<b>66504</b>	Rubber Grommet Closed	H00469A-01	All SKU's
<b>66505</b>	Rubber Grommet open	H00220A-01	All SKU's
<b>66506</b>	Expandable Grommet	H00531A-01	All SKU's
<b>66507</b>	Sink Drain	H00164A-01	66104, 66105
<b>66508</b>	Rear legs (LH & RH) weld assembly	OK2-17.004A-01 OK2-17.005A-01	66116
<b>66509</b>	Front leg weld assembly	OK2-17.006A-01	66116
<b>66510</b>	(1X) Front post assembly (4X) Pan head screws M4X10mm	OK2-17.002A-01 H00204A-01	66116
<b>66511</b>	(1X) Toe Kick (4X) Pan head screws M4X10mm	OK2-17.007A-01 H00204A-01	66116
<b>66512</b>	(1X) Kick Plate (1X) LED plate (2X) Pan head screws M4X10mm	OK2-16.002.05A-01 OK2-16.002.06A-01 H00204A-01	66115
<b>66513</b>	No. 10 Screw for fiber cement board(Pack of 200)	H00721A-01	All SKU's
<b>66514</b>	M6 X12 for leg(Pack of 200)	H00201A-01	All SKU's
<b>66515</b>	M4X10 pan head screw(Pack of 200)	H00204A-01	All SKU's
<b>66516</b>	Bottom Head Allen Screw M6x10(Pack of 200)	H00446A-01	66090, 66070, 66071, 6072, 66073, 66074, 6075, 66076, 66077, 6078, 66080, 66081,66082, 66083, 66084, 6085, 66087, 66088, 66089
<b>66517</b>	M6X50(Pack of 200)	H00198A-01	All SKU's

Spare Part SKU#	Spare Part Description	Engineering Part Number	Cabinetry used for SKU#
<b>66518</b>	M6 nut(Pack of 200)	H00200A-01	All SKU's
<b>66519</b>	M6 oversized washer(Pack of 200)	H00199A-01	All SKU's
<b>66520</b>	Rubber gasket for drawer 36in	OK2-08.002.03A-01	66110, 66111, 66112
<b>66523</b>	Rubber gasket for drawer 28in	OK2-08.002.03A-01	66103
<b>66521</b>	Magnetic gasket for door 40in	OK2-05.002.02A-01	66102
<b>66524</b>	Magnetic gasket for door 33in	OK2-05.002.02A-01	66101
<b>66525</b>	Magnetic gasket for door 36in/18in	OK2-05.002.02A-01	66104, 66109, 66110, 66112, 66117, 66105, 66106, 66107
<b>66526</b>	Magnetic gasket for door 16in	OK2-05.002.02A-01	66100
<b>66522</b>	Gasket for countertop 18in	H00192A-01	66073, 66074, 66075
<b>66527</b>	Gasket for countertop 36in		
<b>66528</b>	(1X) Signature OKC 24in Refrigerator Kit - Worktop support bracket (4x) M4x10mm mounting screws	OKC2-76.003A-01	66118
<b>66529</b>	Stainless Steel 28in Cap	OK2-04.007A-01	66103
<b>66530</b>	Stainless Steel 16in Cap	OK2-01.007A-01	66100
<b>66531</b>	Stainless Steel 33in Cap	OK2-02.011A-01	66101
<b>66532</b>	Stainless Steel 36in Cap	OK2-129.009A-01	66117
<b>66533</b>	Stainless Steel 40in Cap	OK2-03.008A-01	66102

# **WARRANTY INFORMATION**

# NEWAGE PRODUCTS INC. SIGNATURE OUTDOOR KITCHEN CABINETS MANUFACTURER WARRANTY

## PROOF OF PURCHASE IS REQUIRED TO OBTAIN WARRANTY SERVICE.

Please have the following information available when you call our customer service team:

- Name, address and telephone number
- Product Name / SKU Number
- A clear, detailed description of the problem
- Proof of purchase including order number

## Register your NewAge Products purchase online for quicker customer assistance and access to exclusive benefits

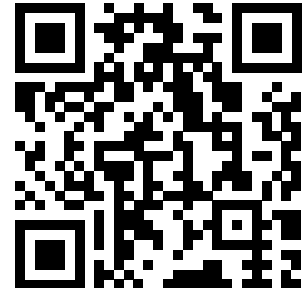
Visit [www.newageproducts.com/register/](http://www.newageproducts.com/register/)

## Warranty Claim

For warranty service please contact NewAge Products at **1-877-306-8930**; or [support@newageproducts.com](mailto:support@newageproducts.com)

Please review all warranty details below, prior to contacting NewAge Products for a claim.

Scan the QR code on the right to access our support page or visit [www.newageproducts.com/contact-us/](http://www.newageproducts.com/contact-us/)



Scan this QR code with the camera on your mobile device to visit the NewAge Products Support Hub  
[www.newageproducts.com/support-hub/](http://www.newageproducts.com/support-hub/)

## 10 YEARS LIMITED WARRANTY

NewAge is proud to offer a 10 Years Limited Warranty from the date of purchase. This is subject to the limitations and disclaimers set forth below and other product documentations.

Length of warranty	Warranty covered Items	Cost to NewAge	Cost to Customer
10 Years	Stainless Steel Cabinet Overall Structural Integrity	Materials	Shipping
2 Years	Drawer Slides, Door Hinges, Drawer & Door Handles	Materials	Shipping
3 Years	Product Finishes free from defects for initial customer	Materials	Shipping

## WHAT IS COVERED

When this product is installed, operated and maintained according to the instructions attached to or furnished with the product, NewAge Products Inc. will replace the defective product or parts if the part fails as a result of defective materials or workmanship for the warranty duration from the purchase date of the product.

## WHAT IS NOT COVERED

1. Service calls to correct the installation of any NewAge products or to instruct you how to use or install them.
2. Damage resulting from improper handling, or products damaged by accident, misuse, abuse, fire, flood, improper installation, acts of God, neglect, corrosion, modification or mishandling.
3. Products damaged by improperly loading beyond the specified maximum weight capacity outlined in the instructions provided with the product.
4. Repairs or replacement when your product is used in other than normal, single-family household use, such as a commercial environment, or handled in anyway inconsistent with the installation instructions included with the product.
5. Cosmetic damage, including scratches, dings, dents or cracks in paint that do not affect the structural or functional capability of the product.
6. Surfaces damaged due to chemical interaction resulting in corrosion of paint or metal.
7. Discoloration due to the heat, for example beside a grill, is a trait of stainless steel
8. Surface rust resulting from acid rain or environmental chemicals
9. Loss of product contents due to theft, fire, flood, accident or acts of God.
10. Damage resulting from use of the product contrary and not in accordance to the instruction manual.
11. Any labor costs during the limited warranty period.

The 304 stainless steel material used in the construction of NewAge Outdoor Kitchen Cabinet is highly rust resistant, however, chlorine in the air from swimming pools or the salt from sea air may cause surface rust to appear and even create some pitting corrosion if left on the product. We suggest cleaning all stainless steel surfaces at least every two weeks to keep your cabinet in prime condition. The chemical reaction from salt is easy to prevent however it is more difficult when left on the surface.

## DISCLAIMER OF IMPLIED WARRANTIES

IMPLIED WARRANTIES, INCLUDING TO THE EXTENT APPLICABLE WARRANTIES OF MERCHANTABILITY OR FITNESS FOR A PARTICULAR PURPOSE, ARE EXCLUDED TO THE EXTENT LEGALLY PERMISSIBLE. ANY IMPLIED WARRANTIES THAT MAY BE IMPOSED BY LAW ARE LIMITED TO ONE YEAR, OR THE SHORTEST PERIOD ALLOWED BY LAW. THIS WARRANTY IS LIMITED TO THE ORIGINAL BUYER. Some states and provinces do not allow limitations on the duration of implied warranties of merchantability or fitness, so this limitation may not apply to you. This warranty gives you specific legal rights, and you also may have other rights that vary from state to state or province to province.

## LIMITATION OF REMEDIES; EXCLUSION OF INCIDENTAL AND CONSEQUENTIAL DAMAGES

YOUR SOLE AND EXCLUSIVE REMEDY UNDER THIS LIMITED WARRANTY SHALL BE PRODUCT REPAIR OR REPLACEMENT AT OUR DISCRETION AS PROVIDED HEREIN. NEWAGE SHALL NOT BE LIABLE FOR INCIDENTAL OR CONSEQUENTIAL DAMAGES. Some states and provinces do not allow the exclusion or limitation of incidental or consequential damages, so these limitations and exclusions may not apply to you. This warranty gives you specific legal rights, and you also may have other rights that vary from state to state or province to province.

# NEWAGE PRODUCTS INC. GRANITE COUNTERTOP MANUFACTURER WARRANTY

## PROOF OF PURCHASE IS REQUIRED TO OBTAIN WARRANTY SERVICE.

Please have the following information available when you call our customer service team:

- Name, address and telephone number
- Product Name / SKU Number
- A clear, detailed description of the problem
- Proof of purchase including order number

## Register your NewAge Products purchase online for quicker customer assistance and access to exclusive benefits

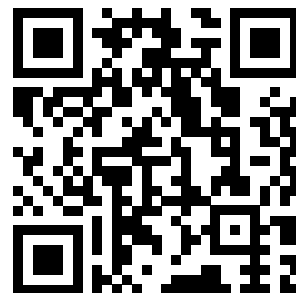
Visit [www.newageproducts.com/register/](http://www.newageproducts.com/register/)

## Warranty Claim

For warranty service please contact NewAge Products at **1-877-306-8930**; or [support@newageproducts.com](mailto:support@newageproducts.com)

Please review all warranty details below, prior to contacting NewAge Products for a claim.

Scan the QR code on the right to access our support page or visit [www.newageproducts.com/contact-us/](http://www.newageproducts.com/contact-us/)



Scan this QR code with the camera on your mobile device to visit the NewAge Products Support Hub  
[www.newageproducts.com/support-hub/](http://www.newageproducts.com/support-hub/)

# 15 YEAR RESIDENTIAL LIMITED WARRANTY

## WHAT IS COVERED

When the granite countertop is installed, used and maintained according to the Use, Care and Maintenance of Granite Countertop section in the instructions attached to or furnished with the countertop, NewAge Products Inc. will replace the defective granite as a result of defective materials or workmanship for warranty duration from the purchase date of the product.

## WHAT IS NOT COVERED

1. Service calls to correct the installation of any NewAge products or to instruct you how to use or install them.
  2. Damage resulting from products caused by accident, misuse, abuse, fire, flood, improper installation, improper cleaning and maintenance, acts of God, neglect, extreme heat, normal wear and tear, modification or mishandling.
  3. Repairs or replacement when your product is used in other than normal, residential use, such as a commercial environment, or handled in anyway inconsistent with the installation instructions included with the product.
  4. Surface chipping or cracks caused by accident, improper installation or handling.
  5. Surfaces damaged due to improper use of chemicals, and detergents.
  6. Stains and watermarks caused by improper care, maintenance and cleaning.
  7. Replacement parts for NewAge products outside Canada and the United States.
  8. Loss due to theft.
  9. Any labor costs during the warranty period.
  10. Damage resulting from use of the product contrary and not in accordance to the instruction manual.
- This warranty does not cover natural characteristics of stone which include, but are not limited to natural color variations, water lines or physical properties (fissures, surface pits, blemishes) that are normal and natural for some stones.
- If, after or during installation, you decide that you do not like the colors you selected or the natural stone variations and veining of your installation, replacement is not covered by this warranty.

## DISCLAIMER OF IMPLIED WARRANTIES

IMPLIED WARRANTIES, INCLUDING TO THE EXTENT APPLICABLE WARRANTIES OF MERCHANTABILITY OR FITNESS FOR A PARTICULAR PURPOSE, ARE EXCLUDED TO THE EXTENT LEGALLY PERMISSIBLE. ANY IMPLIED WARRANTIES THAT MAY BE IMPOSED BY LAW ARE LIMITED TO ONE YEAR, OR THE SHORTEST PERIOD ALLOWED BY LAW. THIS WARRANTY IS LIMITED TO THE ORIGINAL BUYER. Some states and provinces do not allow limitations on the duration of implied warranties of merchantability or fitness, so this limitation may not apply to you. This warranty gives you specific legal rights, and you also may have other rights that vary from state to state or province to province.

## LIMITATION OF REMEDIES; EXCLUSION OF INCIDENTAL AND CONSEQUENTIAL DAMAGES

YOUR SOLE AND EXCLUSIVE REMEDY UNDER THIS LIMITED WARRANTY SHALL BE PRODUCT REPAIR OR REPLACEMENT AT OUR DISCRETION AS PROVIDED HEREIN. NEWAGE SHALL NOT BE LIABLE FOR INCIDENTAL OR CONSEQUENTIAL DAMAGES. Some states and provinces do not allow the exclusion or limitation of incidental or consequential damages, so these limitations and exclusions may not apply to you. This warranty gives you specific legal rights, and you also may have other rights that vary from state to state or province to province.



# NEWAGE PRODUCTS INC. FIBER CEMENT PANELS MANUFACTURER WARRANTY

## PROOF OF PURCHASE IS REQUIRED TO OBTAIN WARRANTY SERVICE.

Please have the following information available when you call our customer service team:

- Name, address and telephone number
- Product Name / SKU Number
- A clear, detailed description of the problem
- Proof of purchase including order number

## Register your NewAge Products purchase online for quicker customer assistance and access to exclusive benefits

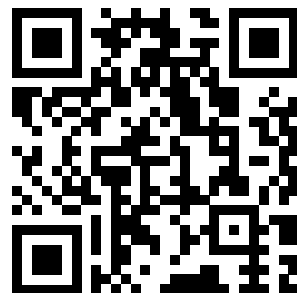
Visit [www.newageproducts.com/register/](http://www.newageproducts.com/register/)

## Warranty Claim

For warranty service please contact NewAge Products at **1-877-306-8930**; or [support@newageproducts.com](mailto:support@newageproducts.com)

Please review all warranty details below, prior to contacting NewAge Products for a claim.

Scan the QR code on the right to access our support page or visit [www.newageproducts.com/contact-us/](http://www.newageproducts.com/contact-us/)



Scan this QR code with the camera on your mobile device to visit the NewAge Products Support Hub  
[www.newageproducts.com/support-hub/](http://www.newageproducts.com/support-hub/)

## 1 YEAR LIMITED WARRANTY

### WHAT IS COVERED

NewAge Products Inc. will replace the defective product or parts if the part fails as a result of defective materials or workmanship for the warranty duration from the purchase date of the product. Warranty is only applicable one year after purchase before it is installed. Claims after installation will not be accepted.

### WHAT IS NOT COVERED

1. Service calls to correct the installation of any NewAge products or to instruct you how to use or install them.
2. Damage resulting from products caused by accident, misuse, abuse, fire, flood, corrosion, improper installation, acts of God, neglect, modification, improper storage, improper maintenance and normal wear and tear or mishandling.
3. Products damaged by External loading.
4. Cosmetic damage that occurs after customer purchasing the product, including scratches, dings, dents, corrosion, or stains in the material that does not affect the structural or functional capability of the product.
5. Surfaces damaged due to improper use of chemicals, foods, beverage, and detergents.
6. Replacement parts for NewAge products outside Canada and the United States.
7. Loss due to theft.
8. Damage resulting from use of the product contrary and not in accordance to the instruction manual.
9. Any labor costs during the warranty period.

### DISCLAIMER OF IMPLIED WARRANTIES

IMPLIED WARRANTIES, INCLUDING TO THE EXTENT APPLICABLE WARRANTIES OF MERCHANTABILITY OR FITNESS FOR A PARTICULAR PURPOSE, ARE EXCLUDED TO THE EXTENT LEGALLY PERMISSIBLE. ANY IMPLIED WARRANTIES THAT MAY BE IMPOSED BY LAW ARE LIMITED TO ONE YEAR, OR THE SHORTEST PERIOD ALLOWED BY LAW. THIS WARRANTY IS LIMITED TO THE ORIGINAL BUYER. Some states and provinces do not allow limitations on the duration of implied warranties of merchantability or fitness, so this limitation may not apply to you. This warranty gives you specific legal rights, and you also may have other rights that vary from state to state or province to province.

### LIMITATION OF REMEDIES; EXCLUSION OF INCIDENTAL AND CONSEQUENTIAL DAMAGES

YOUR SOLE AND EXCLUSIVE REMEDY UNDER THIS LIMITED WARRANTY SHALL BE PRODUCT REPAIR OR REPLACEMENT AT OUR DISCRETION AS PROVIDED HEREIN. NEWAGE SHALL NOT BE LIABLE FOR INCIDENTAL OR CONSEQUENTIAL DAMAGES. Some states and provinces do not allow the exclusion or limitation of incidental or consequential damages, so these limitations and exclusions may not apply to you. This warranty gives you specific legal rights, and you also may have other rights that vary from state to state or province to province.

# NEWAGE PRODUCTS INC. OUTDOOR FURNITURE COVERS MANUFACTURER WARRANTY

## PROOF OF PURCHASE IS REQUIRED TO OBTAIN WARRANTY SERVICE.

Please have the following information available when you call our customer service team:

- Name, address and telephone number
- Product Name / SKU Number
- A clear, detailed description of the problem
- Proof of purchase including order number

## Register your NewAge Products purchase online for quicker customer assistance and access to exclusive benefits

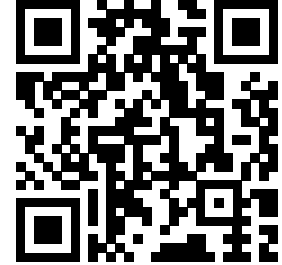
Visit [www.newageproducts.com/register/](http://www.newageproducts.com/register/)

### Warranty Claim

For warranty service please contact NewAge Products at **1-877-306-8930**; or [support@newageproducts.com](mailto:support@newageproducts.com)

Please review all warranty details below, prior to contacting NewAge Products for a claim.

Scan the QR code on the right to access our support page or visit [www.newageproducts.com/contact-us/](http://www.newageproducts.com/contact-us/)



Scan this QR code with the camera on your mobile device to visit the NewAge Products Support Hub  
[www.newageproducts.com/support-hub/](http://www.newageproducts.com/support-hub/)

## ONE YEAR LIMITED WARRANTY

### WHAT IS COVERED

When this product is installed, operated and maintained according to the instructions attached to or furnished with the product, NewAge Products Inc. will replace the defective product or parts if the part fails as a result of defective materials or workmanship for the warranty duration from the purchase date of the product.

### WHAT IS NOT COVERED

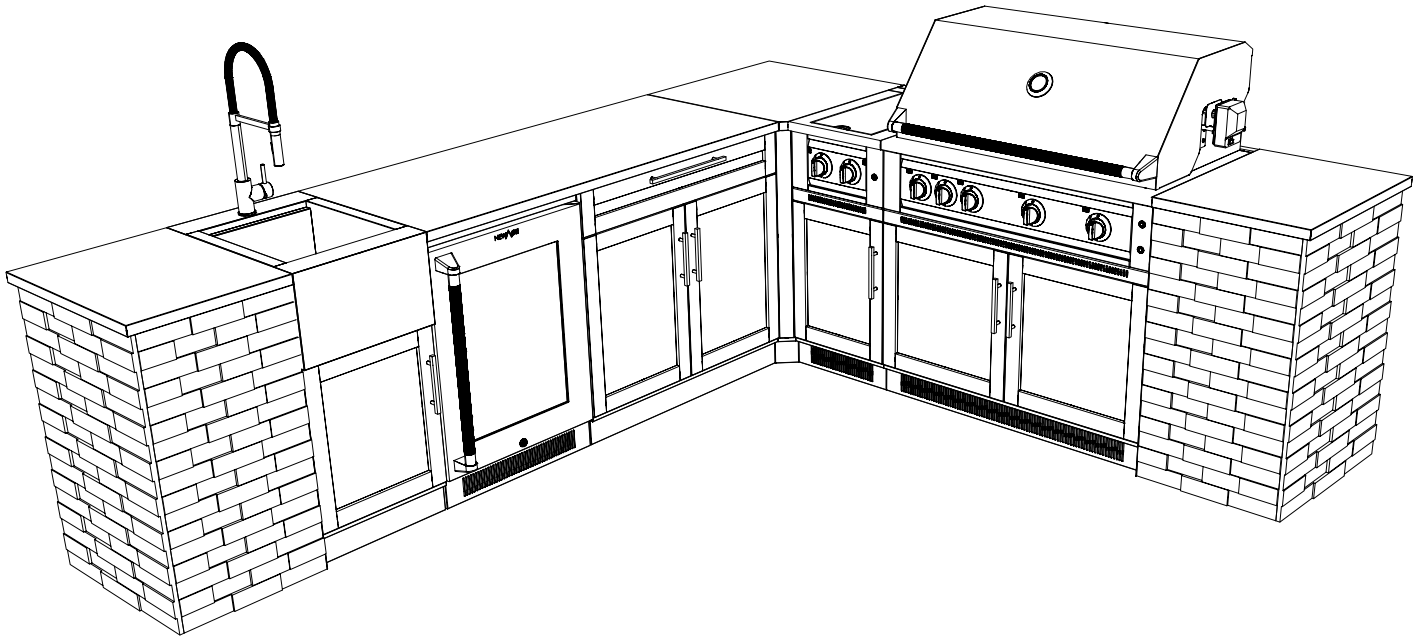
1. Service calls to correct the installation of any NewAge products or to instruct you how to use or install them.
2. Damage resulting from products caused by accident, misuse, abuse, fire, flood, improper installation, acts of God, neglect, modification or mishandling.
3. Products damaged by improperly loading beyond the specified maximum weight capacity outlined in the instructions provided with the product.
4. Repairs or replacement when your product is used in other than normal, residential use, such as a commercial environment, or handled in anyway inconsistent with the installation instructions included with the product.
5. Cosmetic damage, including scratches, dings, dents or cracks that do not affect the functional capability of the product.
6. Product damaged due to weather.
7. Color Discoloration due to UV or sunlight. Product may change color overtime under exposure of sunlight.
8. Replacement parts for NewAge products outside Canada and the United States.
9. Loss due to theft.
10. Damage resulting from use of the product contrary and not in accordance to the instruction manual.
11. Any labor costs during the warranty period.

### DISCLAIMER OF IMPLIED WARRANTIES

IMPLIED WARRANTIES, INCLUDING TO THE EXTENT APPLICABLE WARRANTIES OF MERCHANTABILITY OR FITNESS FOR A PARTICULAR PURPOSE, ARE EXCLUDED TO THE EXTENT LEGALLY PERMISSIBLE. ANY IMPLIED WARRANTIES THAT MAY BE IMPOSED BY LAW ARE LIMITED TO ONE YEAR, OR THE SHORTEST PERIOD ALLOWED BY LAW. THIS WARRANTY IS LIMITED TO THE ORIGINAL BUYER. Some states and provinces do not allow limitations on the duration of implied warranties of merchantability or fitness, so this limitation may not apply to you. This warranty gives you specific legal rights, and you also may have other rights that vary from state to state or province to province.

### LIMITATION OF REMEDIES; EXCLUSION OF INCIDENTAL AND CONSEQUENTIAL DAMAGES

YOUR SOLE AND EXCLUSIVE REMEDY UNDER THIS LIMITED WARRANTY SHALL BE PRODUCT REPAIR OR REPLACEMENT AT OUR DISCRETION AS PROVIDED HEREIN. NEWAGE SHALL NOT BE LIABLE FOR INCIDENTAL OR CONSEQUENTIAL DAMAGES. Some states and provinces do not allow the exclusion or limitation of incidental or consequential damages, so these limitations and exclusions may not apply to you. This warranty gives you specific legal



# Armoires de cuisine extérieure Signature

## GUIDE D'INSTALLATION PRINCIPAL



### **AVERTISSEMENT : Danger de charge excessive!**

Pour éviter les blessures au dos, déplacez, assemblez et installez les armoires avec l'aide de deux personnes ou plus. Ne laissez pas d'enfant sans surveillance près des armoires. Risque élevé de basculement si les armoires sont installées incorrectement : pour éviter les blessures graves, fixez les armoires de façon sécuritaire au mur.

Pour obtenir de l'aide, composez le 1 877-306-8930; envoyez un courriel à [info@newageproducts.com](mailto:info@newageproducts.com).



### **ATTENTION :**

Votre armoire est-elle endommagée?

Vous avez besoin d'assistance ou de pièces de rechange? Pour un service plus rapide, contactez NewAge Products au 1 877-306-8930 ou écrivez à [support@newageproducts.com](mailto:support@newageproducts.com).

Ne retournez pas ce produit au détaillant.

# Index

---

<b>Index</b>	2
<b>Déballage</b>	5
<b>Inspection du produit</b>	5
<b>Les armoires de cuisine extérieure Signature</b>	6
<b>Poids Maximum</b>	7
<b>Outils requis</b>	8
<b>Composants pour les armoires assemblées</b>	9
<b>Préparation de l'espace extérieur</b>	16
<b>Installation des pattes</b>	20
<b>Installation des coups-de-pied</b>	22
<b>Installation des poignées</b>	23
<b>Installation/retrait des tiroirs</b>	24
<b>Preparing the Sink Cabinets</b>	25
<b>Assembling the 45° Corner Cabinet</b>	29
<b>Assembling the 90° Corner Cabinet</b>	37
<b>Assemblage du faux cadre de 18 po et 36 po</b>	45
<b>Fixation des armoires</b>	54
<b>Création d'un angle de 45°</b>	56
<b>Création d'un angle de 90°</b>	58
<b>Ajustement des charnières de porte</b>	61
<b>Ajustement des tablettes</b>	62
<b>Installation du support anti-basculement</b>	63
<b>Aperçu des panneaux en fibrociment</b>	67

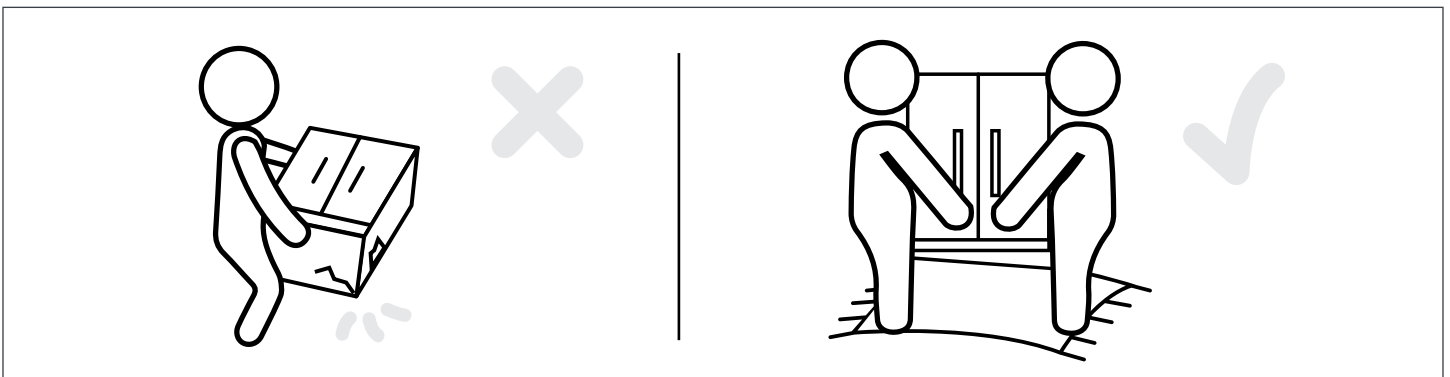
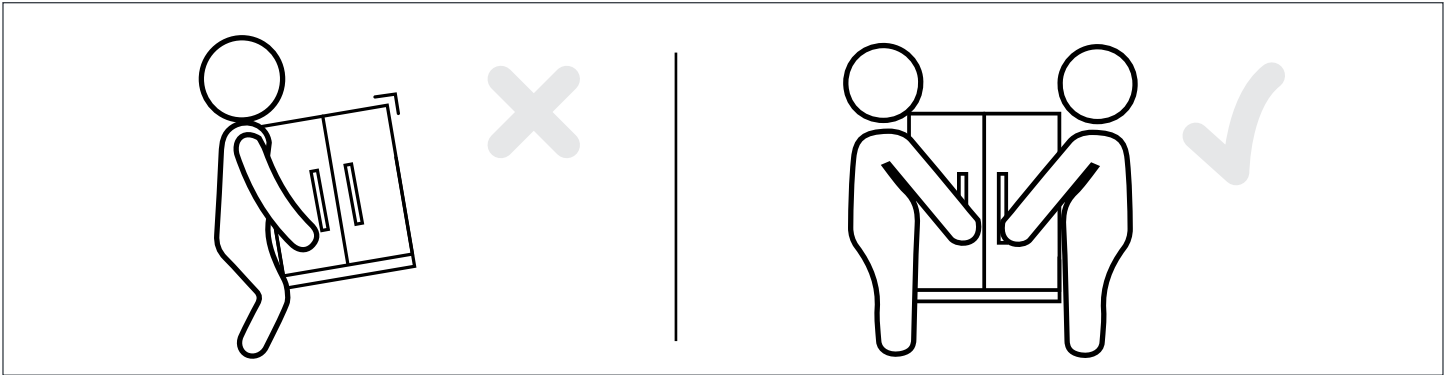
---

<b>Installation de panneaux en fibrociment</b>	68
<b>Installation de l'ensemble de supports de réfrigérateur</b>	75
<b>Installation du grill encastrable</b>	81
<b>Installation du brûleur d'appoint</b>	83
<b>Installation du réservoir de gaz</b>	85
<b>Installation des canalisations électriques et de gaz</b>	87
<b>Préparation des armoires pour Kamado</b>	91
<b>Garniture pour panneaux en fibrociment</b>	95
<b>Aperçu des comptoirs</b>	98
<b>Installation des comptoirs</b>	100
<b>Installation des comptoirs ordinaires</b>	101
<b>Installation des comptoirs réguliers de 60 po avec réfrigérateur</b>	105
<b>Installation des comptoirs munis d'une tablette de bar</b>	111
<b>Installation des embouts d'extrémité latéral pour les armoires à évier et électroménager</b>	121
<b>Installation de l'ensemble de supports de remplissage pour les armoires pour grill encastrable</b>	125
<b>Installation de robinets</b>	129
<b>Ensemble d'installation des DEL</b>	131
<b>Embouts d'armoires</b>	133
<b>Soins et entretien</b>	144
<b>Pièces de rechange</b>	148
<b>GARANTIE DU FABRICANT</b>	153

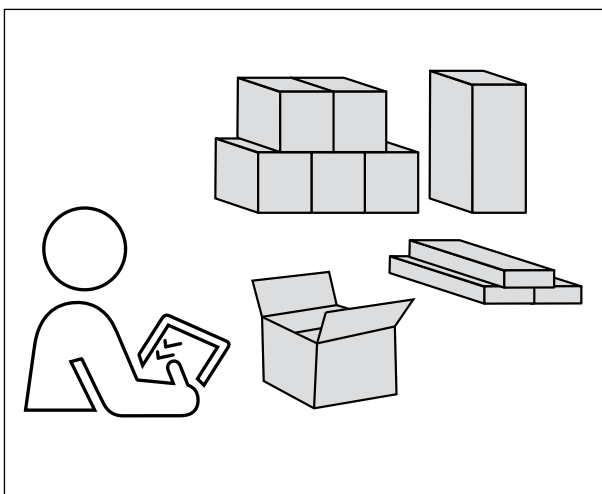
**PRÉPARER VOS  
ARMOIRES POUR  
CRÉER DES AMÉNAGE-  
MENTS DE CUISINE  
EXTÉRIEURE**

# Déballage

- Commencer par placer l'emballage sur une surface plane doté d'un revêtement;
- Retirer l'ensemble du carton et du matériel d'emballage en mousse.
- Mettre au rebut/recycler tous les matériaux d'emballage;
- Vérifier l'ensemble du contenu de la boîte et réunir les outils nécessaires. Consultez la section « Outils requis » dans la liste ci-dessous.



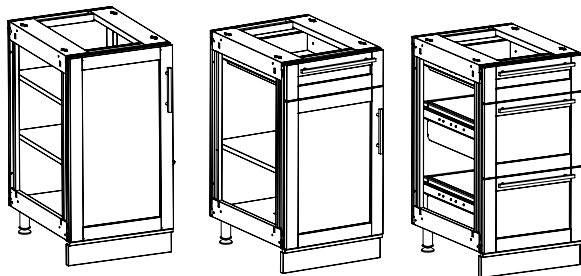
# Inspection du produit



- Assurez-vous d'avoir reçu toutes les pièces conformément à la commande que vous avez passée.
- S'il manque des pièces, contactez NewAge Products au 1 877 306-8930;
- Avant de commencer l'installation, inspectez les produits pour y déceler tout dommage.
- Lisez attentivement les instructions d'installation avant de commencer l'installation.

# Les armoires de cuisine extérieure Signature

## Armoire de rangement de 18 po

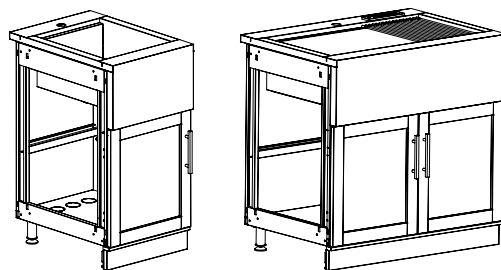


"Armoire de 18 po à 1 porte UGS: 66106"

"Armoire de 18 po à une porte et 1 tiroir UGS: 66107"

"Armoire de 18 po à 3 tiroirs UGS: 66108"

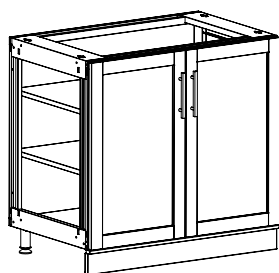
## Armoire à évier de style « Farmhouse »



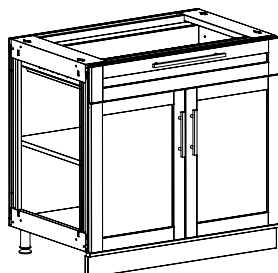
"Armoire à évier de bar de 18 po UGS: 66105"

"Armoire à évier de style « Farmhouse » de 36 po UGS: 66104"

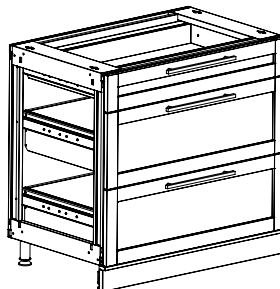
## Armoires de rangement de 36 po



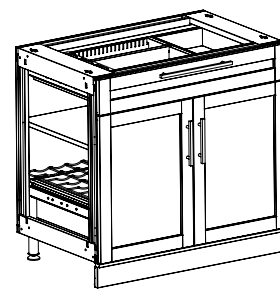
"Armoire de 36 po à 2 portes UGS: 66109"



"Armoire de 36 po à 2 portes et 1 tiroir UGS: 66110"

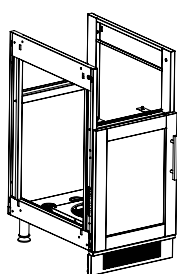


"Armoire de 36 po à 3 tiroirs UGS: 66111"

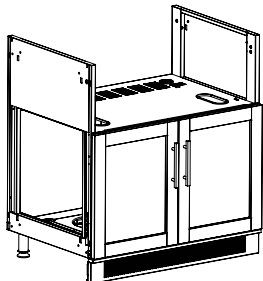


"Armoire de bar de 36 po UGS: 66112"

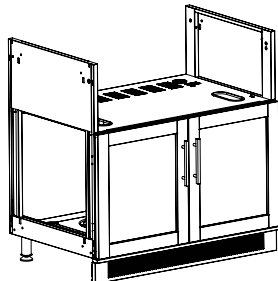
## Armoires pour électroménager



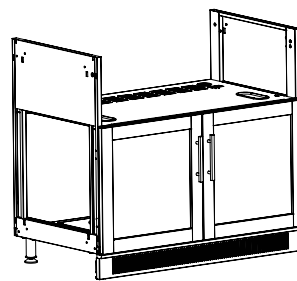
Armoire de 16 po à brûleurs latéraux UGS: 66100



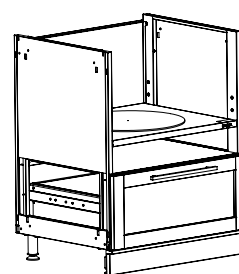
Armoire de 33 po pour grill encastrable UGS: 66101



Armoire de 36 po pour grill encastrable UGS: 66117

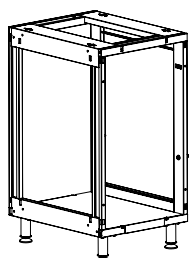


Armoire de 40 po pour grill encastrable UGS: 66102

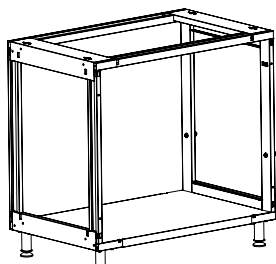


Armoire Kamado de 28 po UGS: 66103

## Armoire à faux cadre

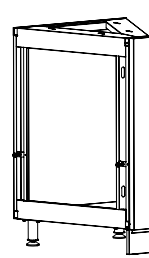


"Armoire à faux cadre de 18 po UGS: 66113"

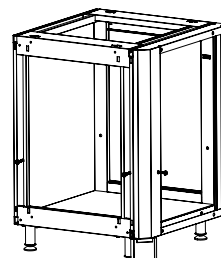


"Armoire à faux cadre de 36 po UGS: 66114"

## Armoires de coin



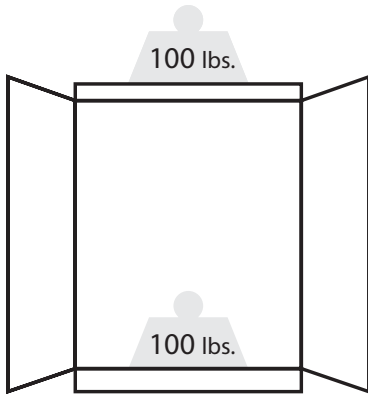
"Armoire de coin à 45° UGS: 66116"



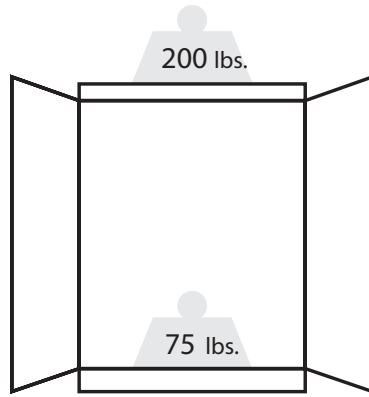
Armoire de coin à 90° UGS: 66115



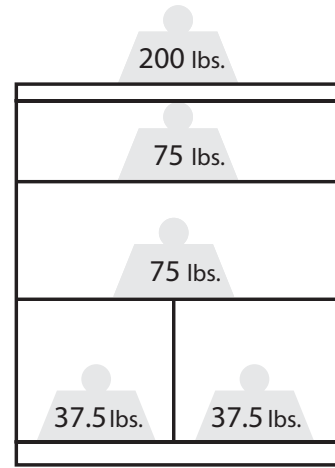
# Poids Maximum



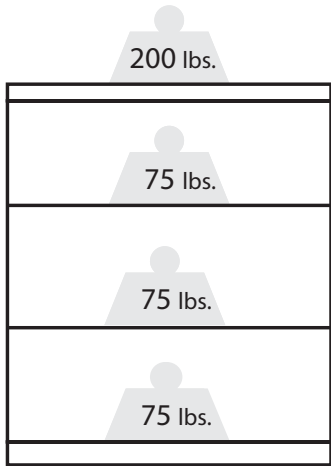
Armoire de coin à 45°  
Max 200 lbs.



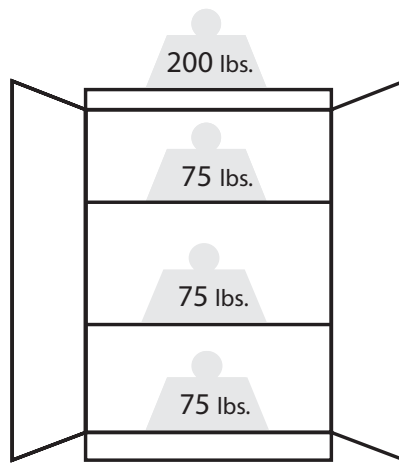
Armoire de coin à 90°  
Max 275 lbs.



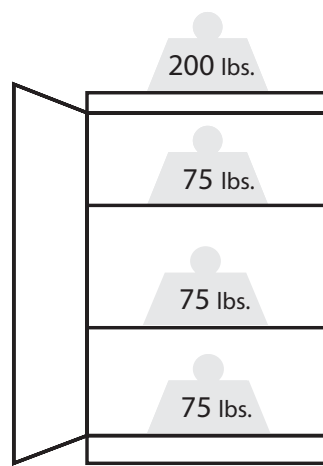
Armoire de bar de 36 po  
Max 425 lbs.



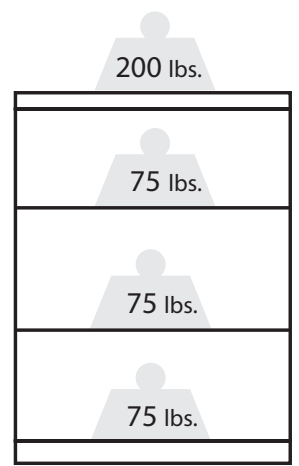
Armoire de 36 po à 3 tiroirs  
Max 425 lbs.



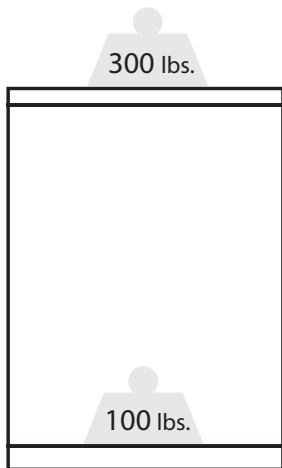
Armoire de 36 po à 2 portes  
Max 425 lbs.



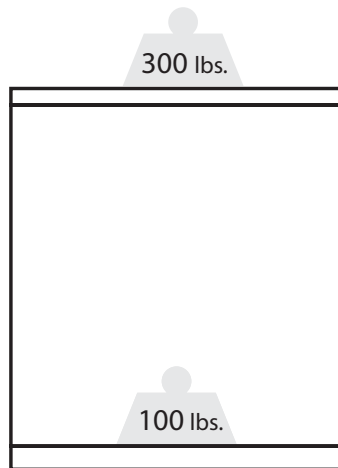
Armoire de 18 po  
à 1 porte  
Max 425 lbs.



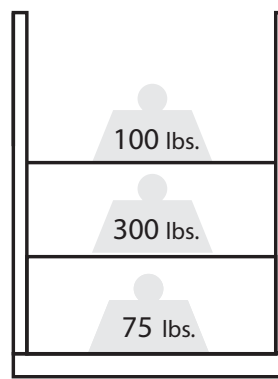
Armoire de 18 po  
à 3 tiroirs  
Max 425 lbs.



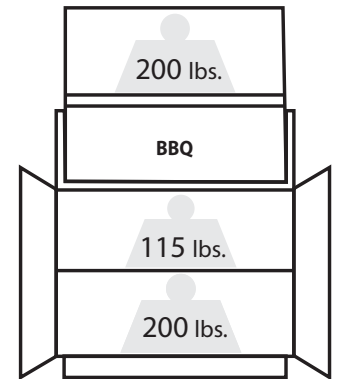
Armoire à évier  
de bar de 18 po  
Max 425 lbs.



Armoire à évier de style  
de 36 po  
Max 425 lbs.

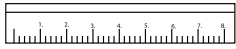


Armoire Kamado de 28 po  
Max 475 lbs.

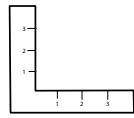


Armoire de 40 po  
pour grill  
Max 475 lbs.

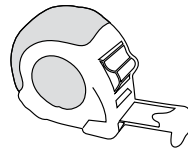
# Outils requis



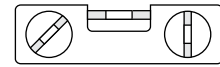
Règle de précision



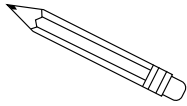
Équerre



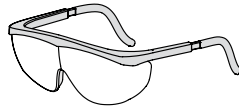
Ruban à mesurer



Indicateurs magnétiques de niveau (petits et grands)



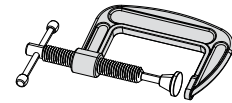
Crayon



Lunettes de sécurité



Masque pour le visage



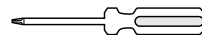
Étaux en C



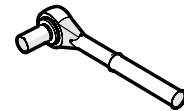
Clé à molette



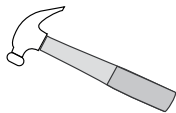
Clé à douille



Tournevis cruciforme



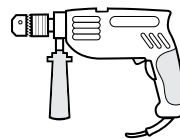
Clé à douille



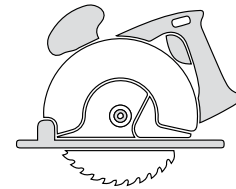
Marteau



Perceuse sans fil



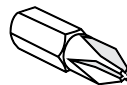
Marteau perforateur



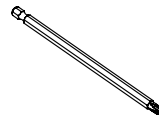
Scie circulaire



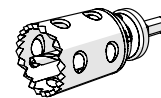
Douille de 7/16 de po



Foret de Phillips



Phillips Allongé  
Tournevis



Scie cloche de 2 po



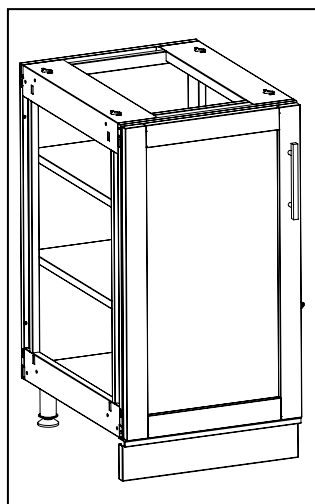
Ciseaux à métaux

## Outils fournis



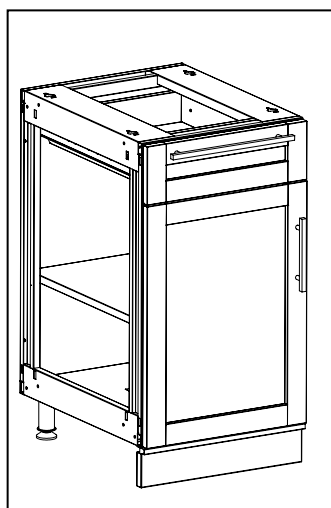
Mèche M3.5 (fournie)

# Composants pour les armoires assemblées



**Armoire de  
18 po à 1 porte  
N° UGS : 66106**

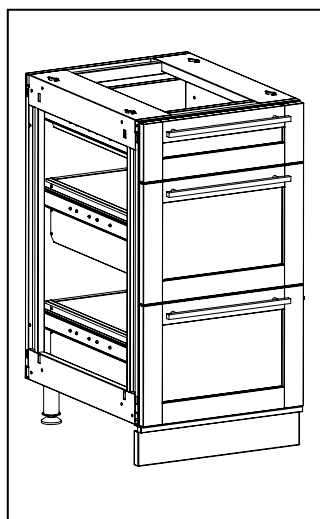
Composants	N° de pièce d'ingénierie	Fonction	QTÉ
<b>Achetée avec porte</b>			
Bâti d'armoire		-	1
Boulon à tête hexagonale (M6 X 50)	H00198A-01	Raccorder les armoires	2
Rondelle plate (M6)	H00199A-01	Raccorder les armoires	4
Écrou hexagonal (M6)	H00200A-01	Raccorder les armoires	2
Vis à tête CSK (M4 x 25)	H00467A-01	Poignées	2
Vis à tête hexagonale à bride (M6X12)	H00201A-01	Pattes	12
Vis à tête plate cruciforme (1,25 po)	H00721A-01	Panneaux en fibrociment	12
Patte	OK2-01.004A-01	-	4
Patte de mise au niveau	H00196A-01	-	4
Coup-de-pied	OK2-06.003.01.01A-01	-	1
Attache de patte	OK2-01.003.02A-01	Coup-de-pied	2
Vis cruciforme (M4 X 10)	H00204A-01	Coup-de-pied	4
Tablette d'armoire	OK2-07.003A-01	-	2
Attache de tablette d'armoire	OKC1-07.007A-01	-	8
Joint en caoutchouc	OK2-10.006A-01	Étanchéité du comptoir	1
Poignée de porte	OKC1-19.003A-01	-	1



**Armoire de 18 po  
à 1 porte et 1 tiroir  
N° UGS : 66107**

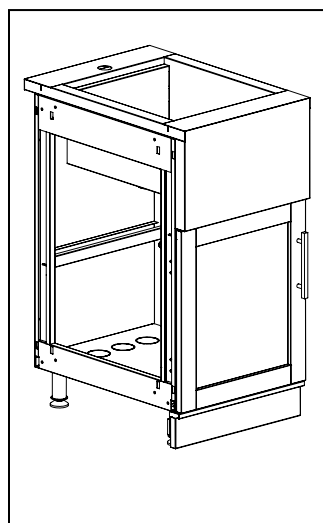
Composants	N° de pièce d'ingénierie	Fonction	QTÉ
<b>Achetée avec porte et tiroir</b>			
Bâti d'armoire		-	1
Boulon à tête hexagonale (M6 X 50)	H00198A-01	Raccorder les armoires	2
Rondelle plate (M6)	H00199A-01	Raccorder les armoires	4
Écrou hexagonal (M6)	H00200A-01	Raccorder les armoires	2
Vis à tête CSK (M4 x 25)	H00467A-01	Poignées	4
Vis à tête hexagonale à bride (M6X12)	H00201A-01	Pattes	12
Vis à tête plate cruciforme (1,25 po)	H00721A-01	Panneaux en fibrociment	12
Patte	OK2-01.004A-01	-	4
Patte de mise au niveau	H00196A-01	-	4
Coup-de-pied	OK2-06.003.01.01A-01	-	1
Attache de patte	OK2-01.003.02A-01	Coup-de-pied	2
Vis cruciforme (M4 X 10)	H00204A-01	Coup-de-pied	4
Tablette d'armoire	OK2-07.003A-01	-	1
Attache de tablette d'armoire	OKC1-07.007A-01	-	4
Joint en caoutchouc	OK2-10.006A-01	Étanchéité du comptoir	1
Poignée de porte	OKC1-19.003A-01	-	1
Poignée de tiroir	OKC1-25.003A-01	-	1

# Composants pour les armoires assemblées



**Armoire de  
18 po à 3 tiroirs  
N° UGS : 66108**

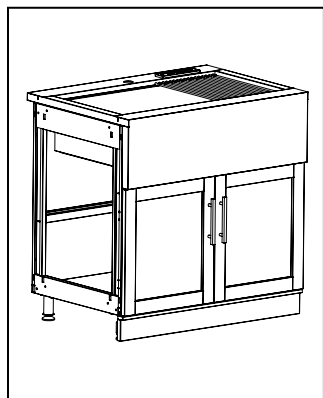
Composants	N° de pièce d'ingénierie	Fonction	QTÉ
<b>Achetée avec des tiroirs</b>			
Bâti d'armoire		-	1
Boulon à tête hexagonale (M6 X 50)	H00198A-01	Raccorder les armoires	2
Rondelle plate (M6)	H00199A-01	Raccorder les armoires	4
Écrou hexagonal (M6)	H00200A-01	Raccorder les armoires	2
Vis Tapcon (M5 X 40)	H00231A-01	Support anti-basculement	6
Vis à bois	H00232A-01	Support anti-basculement	6
Vis à tête CSK (M4 x 25)	H00467A-01	Poignées	6
Vis à tête hexagonale à bride (M6X12)	H00532A-01	Pattes	12
Vis à tête plate cruciforme (1,25 po)	H00721A-01	Panneaux en fibrociment	12
Patte	OK2-01.004A-01	-	4
Patte de mise au niveau	H00196A-01	-	4
Coup-de-pied	OK2-06.003.01.01A-01	-	1
Attache de patte	OK2-01.003.02A-01	Coup-de-pied	2
Vis cruciforme (M4 X 10)	H00204A-01	Coup-de-pied	4
Support anti-basculement	OKC1-09.006A-01	-	2
Joint en caoutchouc	OK2-10.006A-01	Étanchéité du comptoir	1
Poignée de tiroir	OKC1-25.003A-01	-	3



**Armoire à évier  
de bar de 18 po  
N° UGS : 66105**

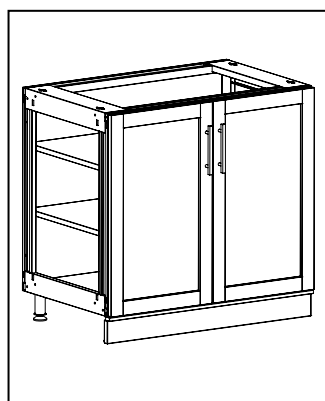
Composants	N° de pièce d'ingénierie	Fonction	QTÉ
<b>Achetée avec porte et évier</b>			
Bâti d'armoire		-	1
Boulon à tête hexagonale (M6 X 50)	H00198A-01	Raccorder les armoires	2
Rondelle plate (M6)	H00199A-01	Raccorder les armoires	4
Écrou hexagonal (M6)	H00200A-01	Raccorder les armoires	2
Vis à tête CSK (M4 x 25)	H00467A-01	Poignées	2
Vis à tête hexagonale à bride (M6X12)	H00532A-01	Pattes	12
Vis à tête plate cruciforme (1,25 po)	H00721A-01	Panneaux en fibrociment	12
Patte	OK2-01.004A-01	-	4
Patte de mise au niveau	H00196A-01	-	4
Coup-de-pied	OK2-06.003.01.01A-01	-	1
Attache de patte	OK2-01.003.02A-01	Coup-de-pied	2
Vis cruciforme (M4 X 10)	H00204A-01	Coup-de-pied	4
Joint en caoutchouc	OK2-10.006A-01	Étanchéité du comptoir	1
Poignée de porte	OKC1-19.003A-01	-	1

# Composants pour les armoires assemblées



**Évier style  
« Farmhouse »  
de 36 po  
N° UGS : 66104**

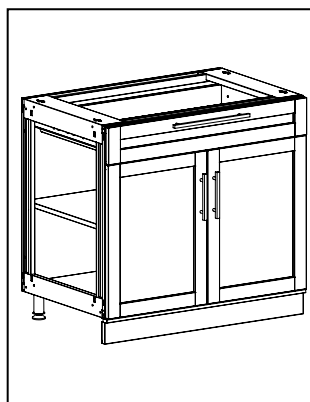
Composants	N° de pièce d'ingénierie	Fonction	QTÉ
<b>Achetée avec les portes et l'évier</b>			
Bâti d'armoire		-	1
Boulon à tête hexagonale (M6 X 50)	H00198A-01	Raccorder les armoires	2
Rondelle plate (M6)	H00199A-01	Raccorder les armoires	4
Écrou hexagonal (M6)	H00200A-01	Raccorder les armoires	2
Vis à tête CSK (M4 x 25)	H00467A-01	Poignées	4
Vis à tête hexagonale à bride (M6X12)	H00532A-01	Pattes	12
Vis à tête plate cruciforme (1,25 po)	H00721A-01	Panneaux en fibrociment	12
Patte	OK2-01.004A-01	-	4
Patte de mise au niveau	H00196A-01	-	4
Coup-de-pied	OK2-05.004.01.01A-01	-	1
Attache de patte	OK2-01.003.02A-01	Coup-de-pied	2
Vis cruciforme (M4 X 10)	H00204A-01	Coup-de-pied	4
Assemblage de la grille de séchage	OK2-05.005A-01	Évier	1
Joint en caoutchouc	OK2-10.006A-01	Étanchéité du comptoir	1
Poignée de porte	OKC1-19.003A-01	-	2



**Armoire de  
36 po à 2 portes  
N° UGS : 66109**

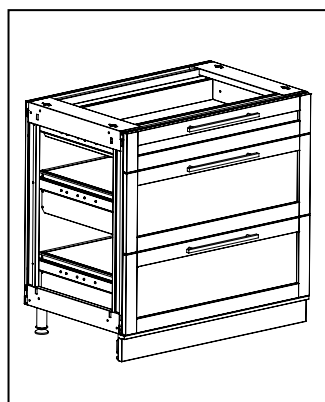
Composants	N° de pièce d'ingénierie	Fonction	QTÉ
<b>Achetée avec porte</b>			
Bâti d'armoire		-	1
Boulon à tête hexagonale (M6 X 50)	H00198A-01	Raccorder les armoires	2
Rondelle plate (M6)	H00199A-01	Raccorder les armoires	4
Écrou hexagonal (M6)	H00200A-01	Raccorder les armoires	2
Vis à tête CSK (M4 x 25)	H00467A-01	Poignées	4
Vis à tête hexagonale à bride (M6X12)	H00532A-01	Pattes	12
Vis à tête plate cruciforme (1,25 po)	H00721A-01	Panneaux en fibrociment	12
Patte	OK2-01.004A-01	-	4
Patte de mise au niveau	H00196A-01	-	4
Coup-de-pied	OK2-05.004.01.01A-01	-	1
Attache de patte	OK2-01.003.02A-01	Coup-de-pied	2
Vis cruciforme (M4 X 10)	H00204A-01	Coup-de-pied	4
Tablette d'armoire	OK2-10.004A-01	-	2
Attache de tablette d'armoire	OKC1-07.007A-01	-	8
Joint en caoutchouc	OK2-10.006A-01	Étanchéité du comptoir	1
Poignée de porte	OKC1-19.003A-01	-	2

# Composants pour les armoires assemblées



**Armoire de 36 po à  
2 portes et 1 tiroir  
N° UGS : 66110**

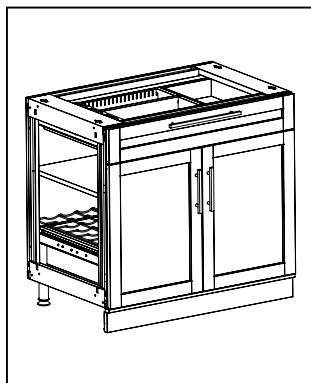
Composants	N° de pièce d'ingénierie	Fonction	QTÉ
<b>Achetée avec porte et tiroir</b>			
Bâti d'armoire		-	1
Boulon à tête hexagonale (M6 X 50)	H00198A-01	Raccorder les armoires	2
Rondelle plate (M6)	H00199A-01	Raccorder les armoires	4
Écrou hexagonal (M6)	H00200A-01	Raccorder les armoires	2
Vis à tête CSK (M4 x 25)	H00467A-01	Poignées	6
Vis à tête hexagonale à bride (M6X12)	H00532A-01	Pattes	12
Vis à tête plate cruciforme (1,25 po)	H00721A-01	Panneaux en fibrociment	12
Patte	OK2-01.004A-01	-	4
Patte de mise au niveau	H00196A-01	-	4
Coup-de-pied	OK2-05.004A-01	-	1
Attache de patte	OK2-01.003.02A-01	Coup-de-pied	2
Vis cruciforme (M4 X 10)	H00204A-01	Coup-de-pied	4
Tablette d'armoire	OK2-10.004A-01	-	1
Attache de tablette d'armoire	OKC1-07.007A-01	-	4
Joint en caoutchouc	OK2-10.006A-01	Étanchéité du comptoir	1
Poignée de porte	OKC1-19.003A-01	-	2
Poignée de tiroir	OKC1-25.003A-01	-	1



**Armoire de  
36 po à 3 tiroirs  
N° UGS : 66111**

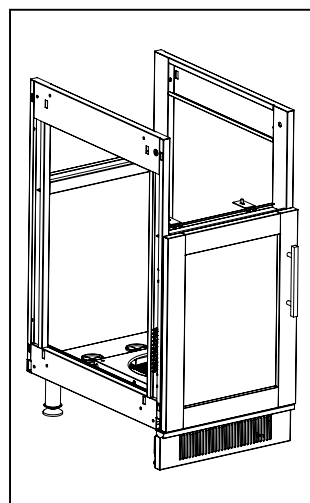
Composants	N° de pièce d'ingénierie	Fonction	QTÉ
<b>Achetée avec des tiroirs</b>			
Bâti d'armoire		-	1
Boulon à tête hexagonale (M6 X 50)	H00198A-01	Raccorder les armoires	2
Rondelle plate (M6)	H00199A-01	Raccorder les armoires	4
Écrou hexagonal (M6)	H00200A-01	Raccorder les armoires	2
Vis Tapcon (M5 X 40)	H00231A-01	Support anti-basculement	6
Vis à bois	H00232A-01	Support anti-basculement	6
Vis à tête CSK (M4 x 25)	H00467A-01	Poignées	6
Vis à tête hexagonale à bride (M6X12)	H00532A-01	Pattes	12
Vis à tête plate cruciforme (1,25 po)	H00721A-01	Panneaux en fibrociment	12
Patte	OK2-01.004A-01	-	4
Patte de mise au niveau	H00196A-01	-	4
Coup-de-pied	OK2-05.004A-01	-	1
Attache de patte	OK2-01.003.02A-01	Coup-de-pied	2
Vis cruciforme (M4 X 10)	H00204A-01	Coup-de-pied	4
Support anti-basculement	OKC1-09.006A-01	-	2
Joint en caoutchouc	OK2-10.006A-01	-	1
Poignée de tiroir	OKC1-25.003A-01	-	3

# Composants pour les armoires assemblées



Armoire de bar  
de 36 po  
N° UGS : 66112

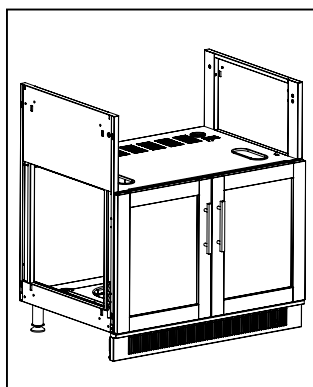
Composants	N° de pièce d'ingénierie	Fonction	QTÉ
<b>Acheté avec portes</b>			
Bâti d'armoire		-	1
Boulon à tête hexagonale (M6 X 50)	H00198A-01	Raccorder les armoires	2
Rondelle plate (M6)	H00199A-01	Raccorder les armoires	4
Écrou hexagonal (M6)	H00200A-01	Raccorder les armoires	2
Vis à tête CSK (M4 x 25)	H00467A-01	Poignées	6
Vis à tête hexagonale à bride (M6X12)	H00532A-01	Pattes	12
Vis à tête plate cruciforme (1,25 po)	H00721A-01	Panneaux en fibrociment	12
Patte	OK2-01.004A-01	-	4
Patte de mise au niveau	H00196A-01	-	4
Coup-de-pied	OK2-05.004A-01	-	1
Attache de patte	OK2-01.003.02A-01	Coup-de-pied	2
Vis cruciforme (M4 X 10)	H00204A-01	Coup-de-pied	4
Porte-bouteilles	OK2-13.009A-01	-	1
Tablette d'armoire	OK2-13.006A-01	-	1
Attache de tablette d'armoire	OKC1-07.007A-01	-	4
Joint en caoutchouc	OK2-10.006A-01	Étanchéité du comptoir	1
Poignée de porte	OKC1-19.003A-01	-	2
Poignée de tiroir	OKC1-25.003A-01	-	1



Armoire de 16 po à  
brûleurs latéraux  
N° UGS : 66100

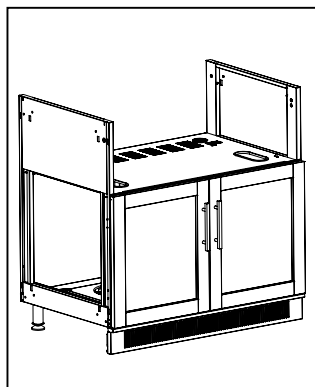
Composants	N° de pièce d'ingénierie	Fonction	QTÉ
<b>Achetée avec porte</b>			
Bâti d'armoire		-	1
Boulon à tête hexagonale (M6 X 50)	H00198A-01	Raccorder les armoires	2
Rondelle plate (M6)	H00199A-01	Raccorder les armoires	4
Écrou hexagonal (M6)	H00200A-01	Raccorder les armoires	2
Vis à tête cylindrique large à empreinte cruciforme (M4 X 10)	H00207A-01	Plaque de montage	4
Vis à tête CSK (M4 x 25)	H00467A-01	Poignées	2
Œillet extensible	H00531A-01	Lignes électriques/gaz	1
Vis à tête hexagonale à bride (M6X12)	H00532A-01	Assemblage des pattes/brûleur	14
Vis à tête plate cruciforme (1,25 po)	H00721A-01	Panneaux en fibrociment	12
Plaque de montage	OK2-01.001.08A-01	Brûleur d'appoint double	2
Patte	OK2-01.004A-01	-	4
Patte de mise au niveau	H00196A-01	-	4
Coup-de-pied	OK2-01.003A-01	-	1
Attache de patte	OK2-01.003.02A-01	Coup-de-pied	2
Vis cruciforme (M4 X 10)	H00204A-01	Coup-de-pied	4
Embout arrière		-	1
Joint en caoutchouc	OK2-10.006A-01	Étanchéité du comptoir	1
Poignée de porte	OKC1-19.003A-01	-	1

# Composants pour les armoires assemblées



Armoire de  
33 po pour gril  
N° UGS : 66101

Composants	N° de pièce d'ingénierie	Fonction	QTÉ
<b>Acheté avec portes</b>			
Bâti d'armoire		-	1
Boulon à tête hexagonale (M6 X 50)	H00198A-01	Raccorder les armoires	2
Rondelle plate (M6)	H00199A-01	Raccorder les armoires	4
Écrou hexagonal (M6)	H00200A-01	Raccorder les armoires	2
Vis à tête CSK (M4 x 25)	H00467A-01	Poignées	4
Éillet extensible	H00531A-01	Lignes électriques/gaz	1
Vis à tête hexagonale à bride (M6X12)	H00532A-01	Assemblage des pattes/gril	14
Vis à tête plate cruciforme (1,25 po)	H00721A-01	Panneaux en fibrociment	12
Patte	OK2-02.004A-01	-	4
Patte de mise au niveau	H00196A-01	-	4
Coup-de-pied	OK2-01.003A-01	-	1
Attache de patte	OK2-01.003.02A-01	Coup-de-pied	2
Vis cruciforme (M4 X 10)	H00204A-01	Coup-de-pied	4
Capuchon d'extrémité arrière		-	1
Joint en caoutchouc	OK2-10.006A-01	Étanchéité du comptoir	1
Poignée de porte	OKC1-19.003A-01	-	1

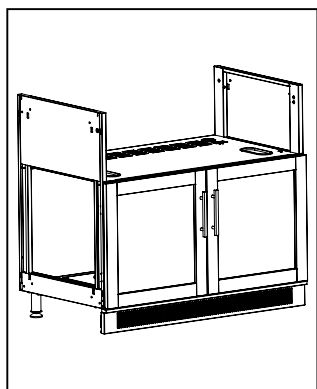


Armoire de  
36 po pour gril  
N° UGS : 66117

Composants	N° de pièce d'ingénierie	Fonction	QTÉ
<b>Acheté avec portes</b>			
Bâti d'armoire		-	1
Boulon à tête hexagonale (M6 X 50)	H00198A-01	Raccorder les armoires	2
Rondelle plate (M6)	H00199A-01	Raccorder les armoires	4
Écrou hexagonal (M6)	H00200A-01	Raccorder les armoires	2
Vis à tête CSK (M4 x 25)	H00467A-01	Poignées	4
Éillet extensible	H00531A-01	Lignes électriques/gaz	1
Vis à tête hexagonale à bride (M6X12)	H00532A-01	Assemblage des pattes/gril	14
Vis à tête plate cruciforme (1,25 po)	H00721A-01	Panneaux en fibrociment	12
Patte	OK2-01.004A-01	-	4
Patte de mise au niveau	H00196A-01	-	4
Coup-de-pied	OK2-129.004A-01	-	1
Attache de patte	OK2-01.003.02A-01	Coup-de-pied	2
Vis cruciforme (M4 X 10)	H00204A-01	Coup-de-pied	4
Capuchon d'extrémité arrière		-	1
Joint en caoutchouc	OK2-10.006A-01	Étanchéité du comptoir	1
Poignée de porte	OKC1-19.003A-01	-	1

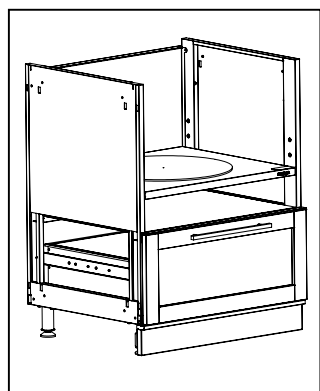


# Composants pour les armoires assemblées



Armoire de 40 po  
pour grill  
N° UGS : 66102

Composants	N° de pièce d'ingénierie	Fonction	QTÉ
<b>Acheté avec portes</b>			
Bâti d'armoire		-	1
Boulon à tête hexagonale (M6 X 50)	H00198A-01	Raccorder les armoires	2
Rondelle plate (M6)	H00199A-01	Raccorder les armoires	4
Écrou hexagonal (M6)	H00200A-01	Raccorder les armoires	2
Vis à tête CSK (M4 x 25)	H00467A-01	Poignées	4
Œillet extensible	H00531A-01	Lignes électriques/gaz	1
Vis à tête hexagonale à bride (M6X12)	H00532A-01	Assemblage des pattes/gril	14
Vis à tête plate cruciforme (1,25 po)	H00721A-01	Panneaux en fibrociment	12
Patte	OK2-01.004A-01	-	4
Patte de mise au niveau	H00196A-01	-	4
Coup-de-pied	OK2-03.004A-01	-	1
Attache de patte	OK2-01.003.02A-01	Coup-de-pied	2
Vis cruciforme (M4 X 10)	H00204A-01	Coup-de-pied	4
Capuchon d'extrémité arrière		-	1
Joint en caoutchouc	OK2-10.006A-01	Étanchéité du comptoir	1
Poignée de porte	OKC1-19.003A-01	-	1



Armoire Kamado  
de 28 po  
N° UGS : 66103

Composants	N° de pièce d'ingénierie	Fonction	QTÉ
<b>Achetée avec un tiroir</b>			
Bâti d'armoire		-	1
Boulon à tête hexagonale (M6 X 50)	H00198A-01	Raccorder les armoires	2
Rondelle plate (M6)	H00199A-01	Raccorder les armoires	4
Écrou hexagonal (M6)	H00200A-01	Raccorder les armoires	2
Vis Tapcon (M5 X 40)	H00231A-01	Support anti-basculement	6
Vis à bois	H00232A-01	Support anti-basculement	6
Tapis à alvéoles	H00244A-01	Base de Kamado	1
Vis à tête CSK (M4 x 25)	H00467A-01	Poignées	2
Vis à tête hexagonale à bride (M6X12)	H00532A-01	Pattes/tablette	16
Vis à tête plate cruciforme (1,25 po)	H00721A-01	Panneaux en fibrociment	12
Patte	OK2-01.004A-01	-	4
Patte de mise au niveau	H00196A-01	-	4
Coup-de-pied	OK2-04.004.01.01A-01	-	1
Attache de patte	OK2-01.003.02A-01	Coup-de-pied	2
Vis cruciforme (M4 X 10)	H00204A-01	Coup-de-pied	4
Capuchon d'extrémité arrière		-	1
Support anti-basculement	OKC1-09.006A-01	-	2
Joint en caoutchouc	OK2-10.006A-01	Étanchéité du comptoir	1
Poignée de tiroir	OKC1-25.003A-01	-	1

# **PRÉPARATION DE L'ESPACE EXTÉRIEUR AVANT L'INSTALLATION DE L'ARMOIRE**

# Préparation de l'espace extérieur



**ATTENTION:** NewAge recommande d'utiliser un installateur de cuisines professionnel pour préparer et installer les armoires de cuisine.



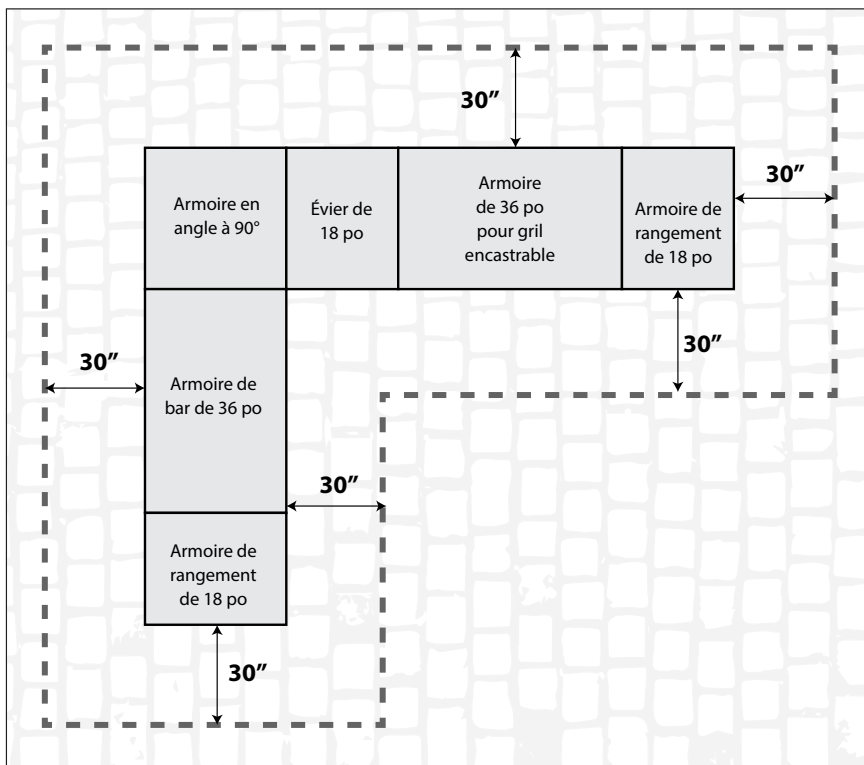
**REMARQUE :** Si vous n'êtes pas familier ou certain de la manière de traiter les raccordements aux services publics, faites en sorte qu'un professionnel qualifié se charge de ces tâches.

## Avant de commencer

- Coupez toutes les conduites d'eau, d'électricité ou d'autres services publics.
- Enlevez les armoires et les appareils existants. Pendant que l'installation est en cours, il est préférable de les déplacer hors de l'espace extérieur pour faciliter l'accès à l'espace de travail.
- Assurez-vous d'avoir une surface plane et nivelée pour installer votre cuisine extérieure Signature.
- Grâce à leurs pattes de mise à niveau ajustables, les armoires de cuisine extérieure Signature peuvent être installées sur n'importe quelle terrasse plate, sur du béton ou sur une surface pavée, mais la surface doit être nivelée pour une installation correcte.

## ÉTAPE 1 : TROUVER LE MEILLEUR EMPLACEMENT ET COMPRENDRE VOS BESOINS

- La première étape de l'installation d'une cuisine extérieure consiste à effectuer une étude du site.
- Déterminez la surface que vous pouvez consacrer à votre cuisine extérieure et mesurez la superficie de la zone proposée.
- Assurez-vous que l'emplacement prévu est proche des services publics accessibles et qu'il offre un chemin clair vers votre cuisine intérieure.
- Nous recommandons un espace de 30 po autour de vos armoires de cuisine pour vous assurer que vous avez suffisamment d'espace pour préparer les aliments, cuisiner, servir et recevoir.



**REMARQUE :** Si vous souhaitez conserver la vue que vous avez actuellement sur l'extérieur de votre maison, veillez à positionner votre espace cuisine extérieure de manière à ce que la vue ne soit pas bloquée. Faire des croquis de votre aménagement sur du papier millimétré vous aidera à visualiser l'emplacement des objets, puis à déterminer ce dont vous aurez besoin.

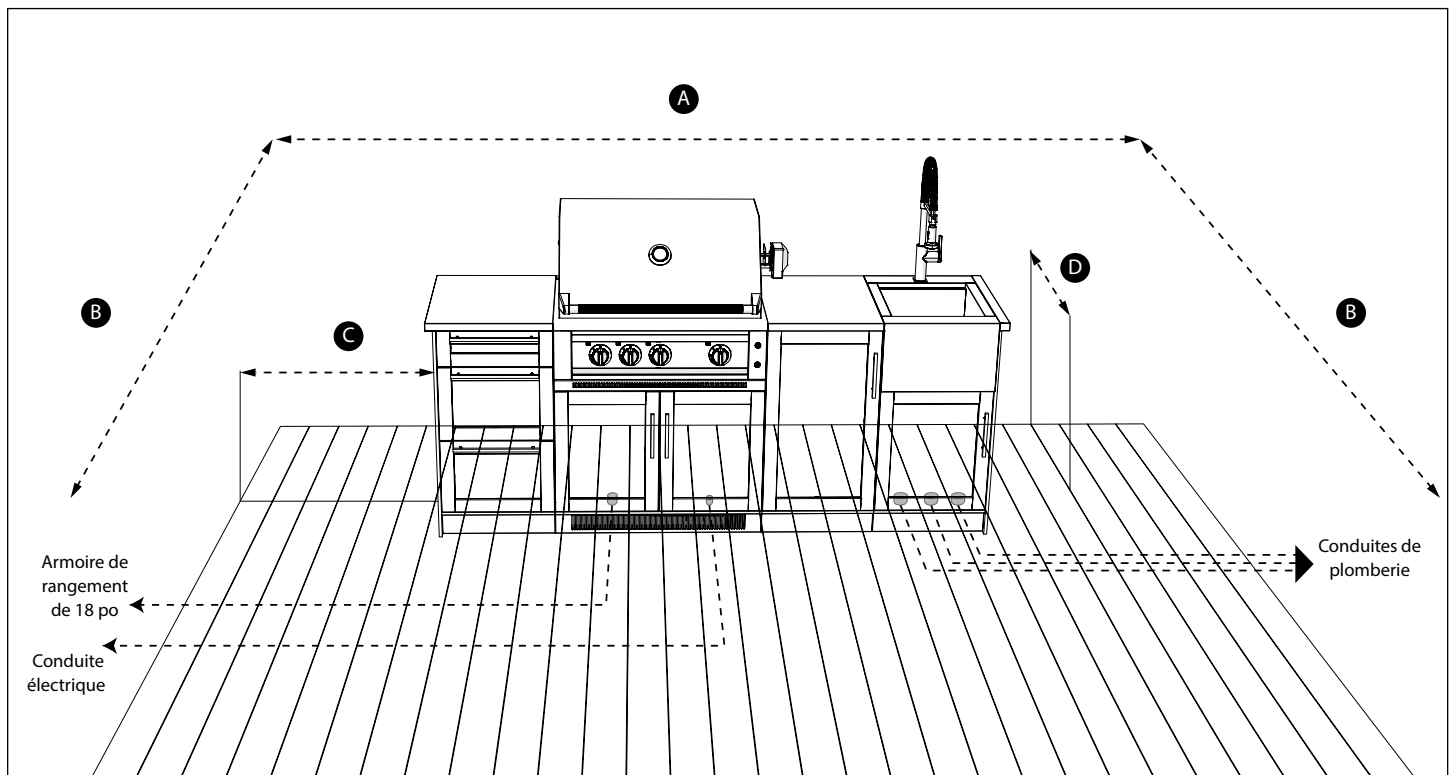
# Préparation de l'espace extérieur

## ÉTAPE 2 : COMMENT UTILISER VOTRE ESPACE

- Déterminez l'emplacement idéal pour les appareils électroménagers et les autres éléments du meuble dans la configuration de la cuisine extérieure
- Déterminez le nombre d'électroménagers à inclure, ainsi que les besoins en matière de rangement et les caractéristiques supplémentaires comme le service des consommations.

### Mesure et marquage de l'espace

- Utilisez maintenant un galon à mesurer et notez les éléments suivants pour vous aider à installer l'ensemble d'armoires.
- **A. Largeur de l'espace extérieur à utiliser.**
- **B. Profondeur de l'espace extérieur à utiliser**
- **C. Distance entre le bord de la plateforme et le côté de l'armoire (30 po ou plus)**
- **D. Distance entre le bord de la plateforme et l'arrière des armoires (30 po ou plus)**
- Il est recommandé de monter les conduites de plomberie, de gaz naturel et d'électricité à partir du bas des armoires, comme indiqué ci-dessous, avant d'assembler les ensembles d'armoires.



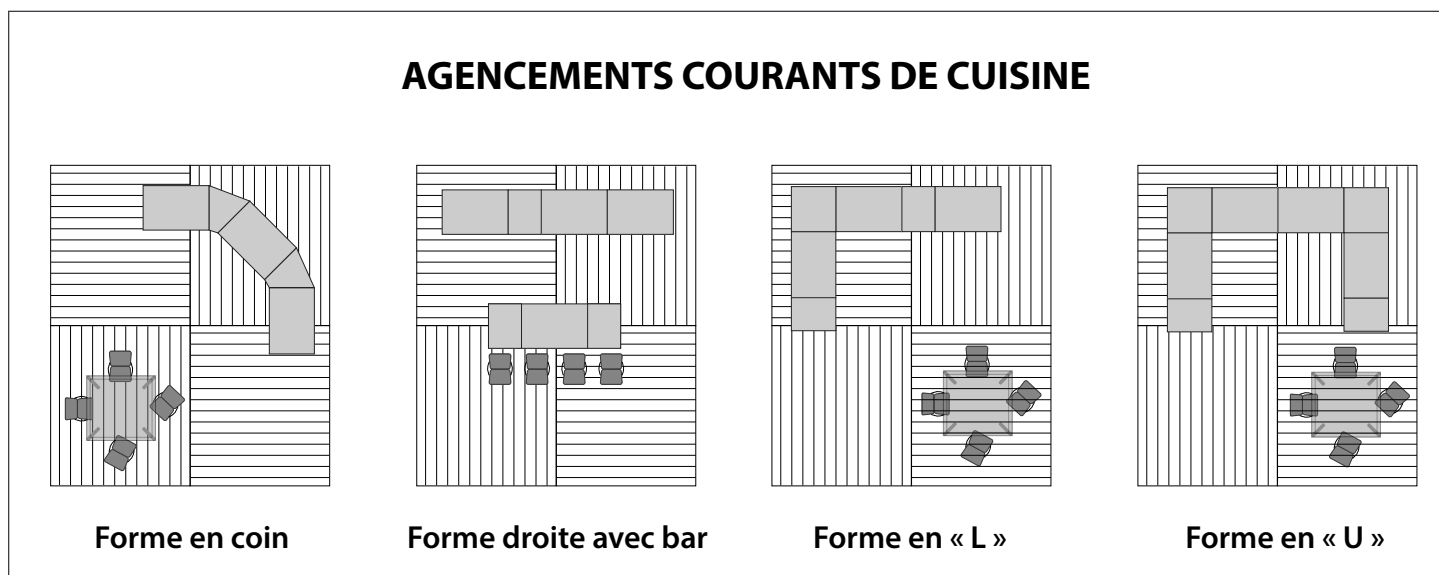
**REMARQUE :** Pour connaître l'emplacement exact des trous d'accès de la plomberie dans les armoires à évier et des trous de passage du gaz et de l'électricité dans les armoires d'appareils, reportez-vous aux sections relatives à chaque armoire dans le manuel.

# Préparation de l'espace extérieur

## ÉTAPE 3 : COMMENT CONCEVOIR VOTRE CUISINE EXTÉRIÈRE

- Une fois que vous avez choisi les électroménagers que vous souhaitez installer dans votre cuisine extérieure, il est temps de réfléchir à la manière dont chaque électroménager et chaque armoire s'intégrera dans le schéma de conception général - quel espace prévoir pour chacun d'eux et comment ils s'intégreront les uns aux autres.
- Vous avez peut-être entendu parler de la règle du « triangle d'or » pour la conception d'une cuisine. La conception d'une cuisine extérieure ne fait pas exception. La proximité de l'évier, du gril et du poste de préparation est essentielle pour une préparation et un service efficaces des aliments.

## Préparer votre espace extérieur en fonction de la configuration de vos arm

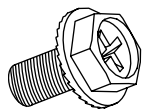


- Lorsque vous préparez la configuration de vos armoires, assurez-vous que la plomberie, le gaz et les canalisations électriques sont posés conformément aux certifications régionales et assurez-vous que cela est fait avec l'aide d'un professionnel.
- Une fois que vous avez finalisé la disposition des armoires, assemblez-les en suivant les instructions détaillées données dans les pages suivantes afin de garantir un processus sans heurts tout au long de l'activité.
- Les armoires doivent être installées sur une surface nivelée. Les pattes de mise à niveau sont fournies pour permettre des ajustements entre les points hauts et bas des installations, mais ne sont pas destinées à être installées sur une surface non plane.
- Prenez note de l'accès existant au gaz/électricité/plomberie par rapport à l'installation prévue.
- Prenez note des trous d'accès existants sur les armoires pour faciliter l'installation.

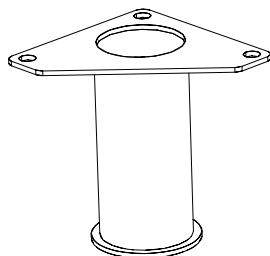
# **INSTALLATION DES ARMOIRES ASSEMBLÉES**

# Installation des pattes

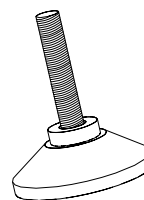
**i** Pièces requises.



Vis à tête  
hexagonale  
M6X12  
**x12**

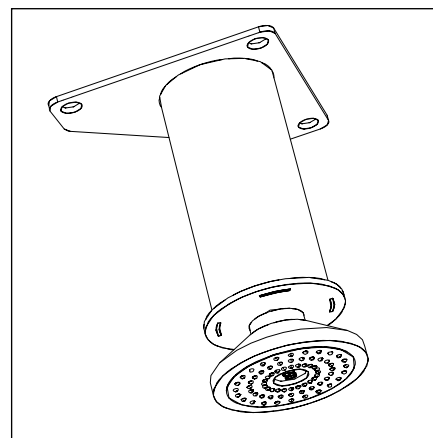
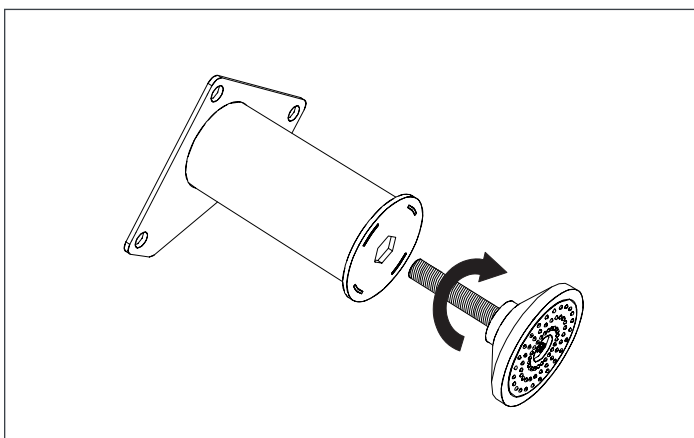


Assemblage de patte  
**x4**

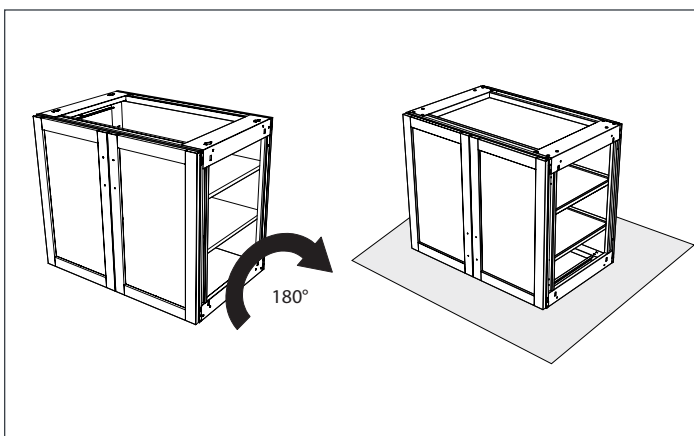


Pattes de mise au niveau  
**x4**

**1** Installez d'abord les 4 pattes de mise à niveau sur les 4 assemblages de patte.

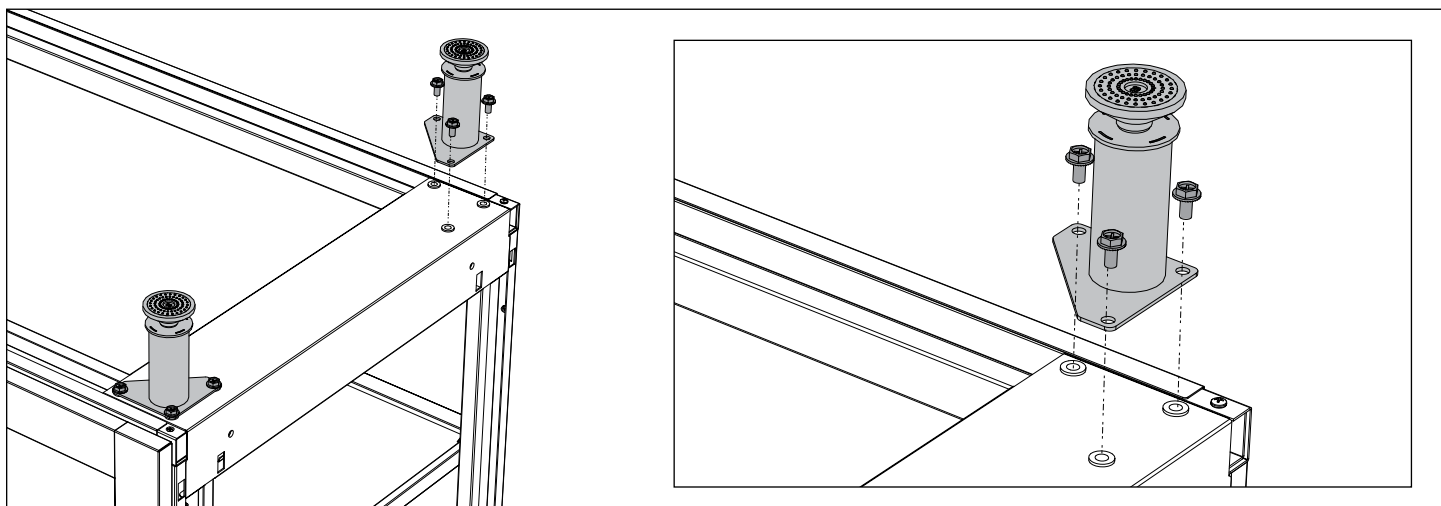


**2** Placez maintenant l'armoire sur sa partie supérieure, sur une surface protégée.

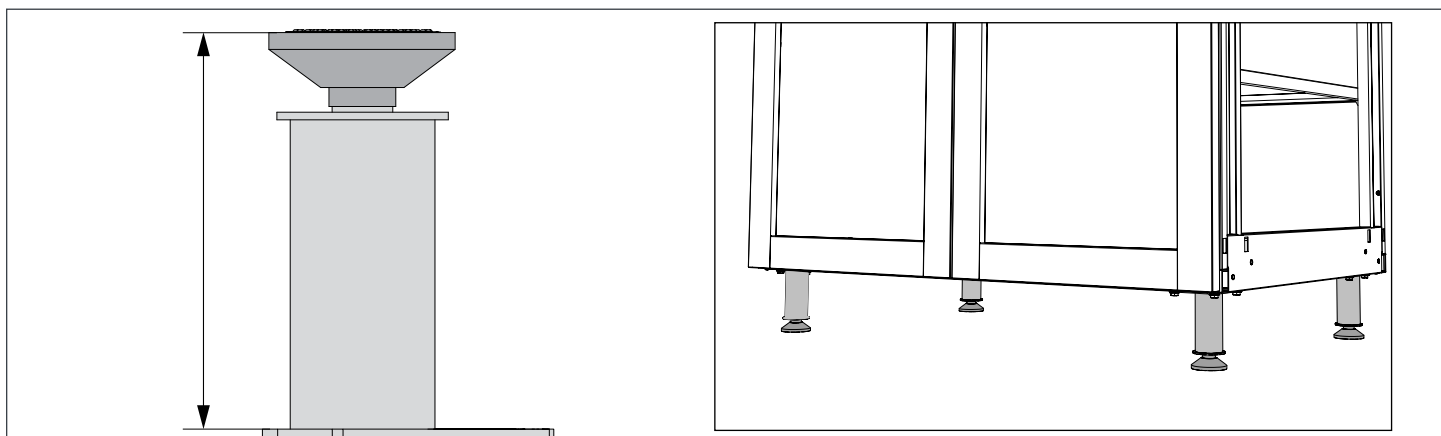


# Installation des pattes

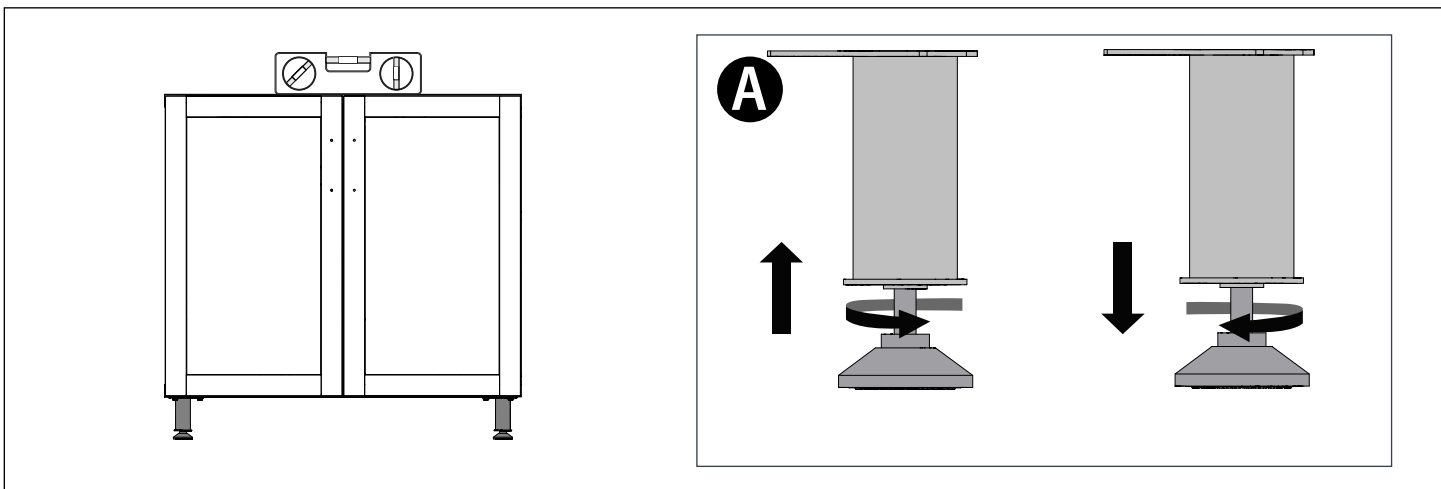
- 3** Installez les 4 pattes sur la base des montants sur le cadre à l'aide des 12x vis à tête hexagonale à bride M6.



- 4** Préparez toutes les pattes à la position la plus basse pour accélérer le processus de mise à niveau.



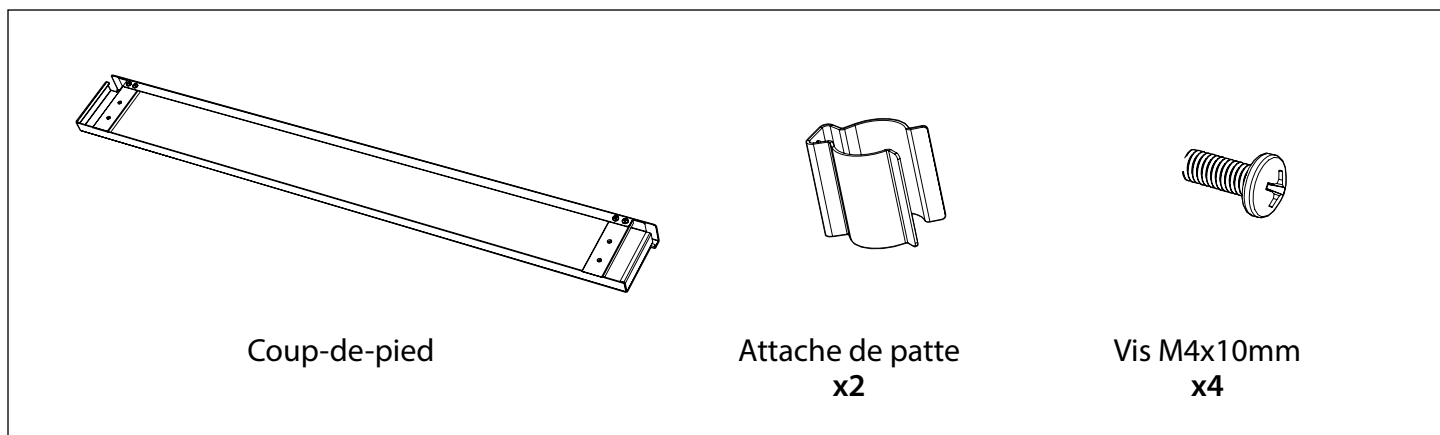
- 5** Placez l'armoire sur ses pattes et mettez-la à niveau en réglant les dispositifs de réglage des pattes (A).



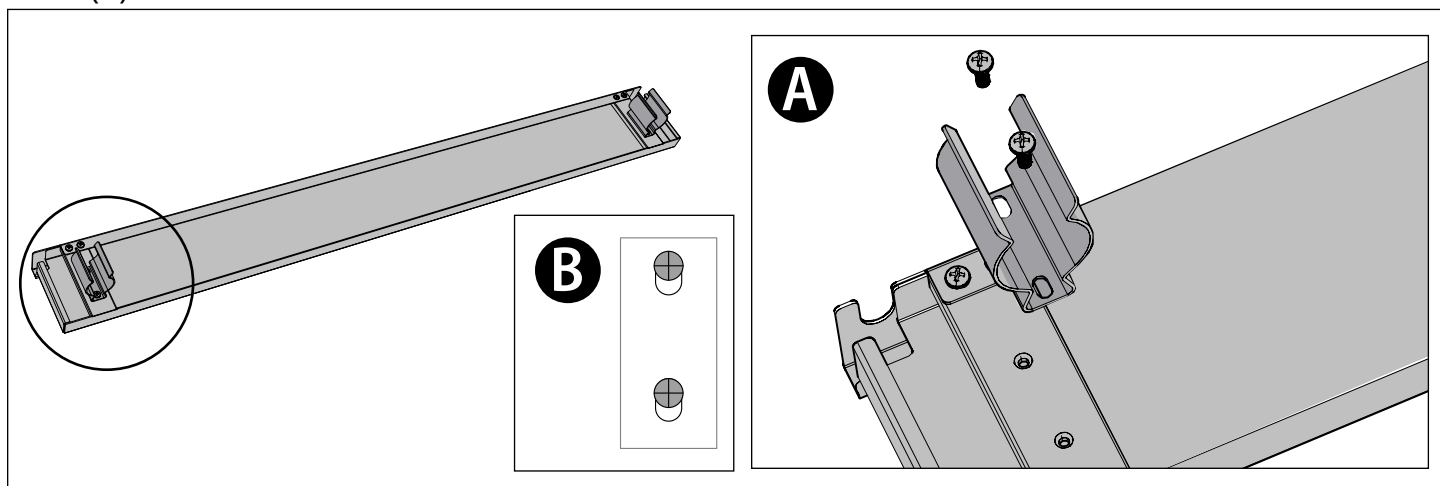


# Installation des coups-de-pied

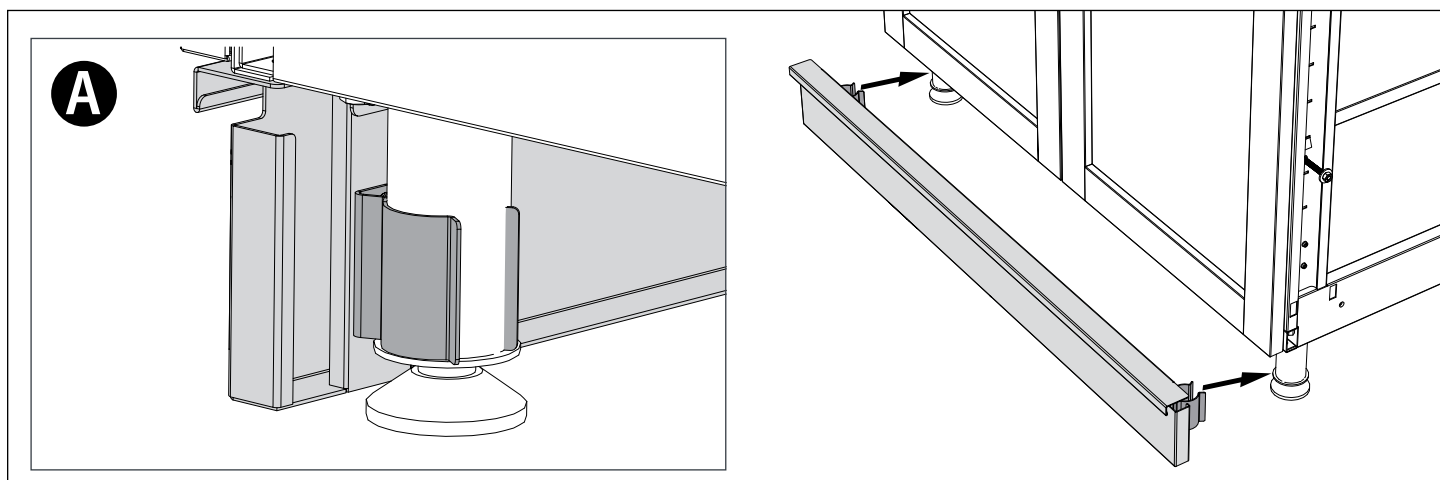
**i** Pièces requises.



**1** Installez deux attaches de patte sur le coup-de-pied à l'aide de deux vis Phillips M4x10 mm (A). Assurez-vous que la vis est montée à la position supérieure de la fente (B).

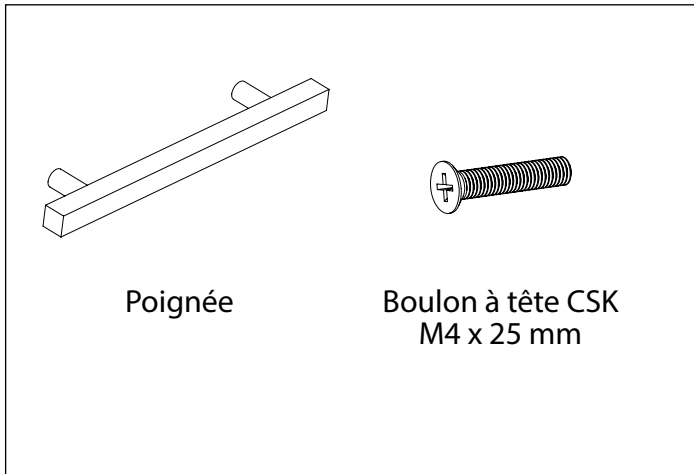


**2** Poussez et ajustez le coup de pied aux pattes avant. Assurez-vous que les attaches des pattes sont bien fixées (A).

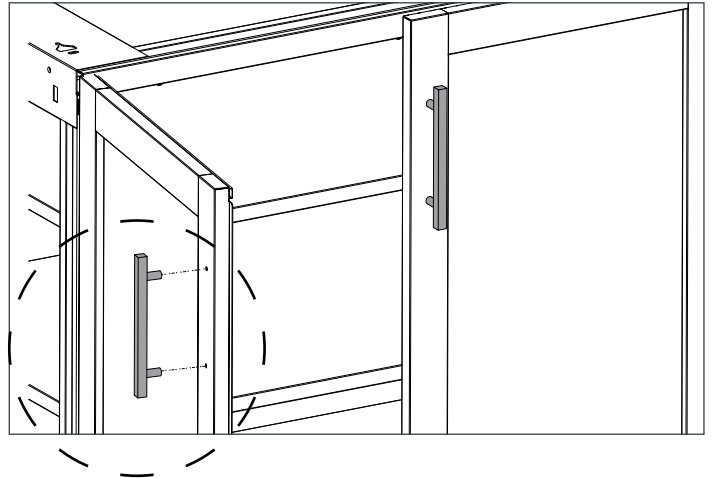


# Installation des poignées

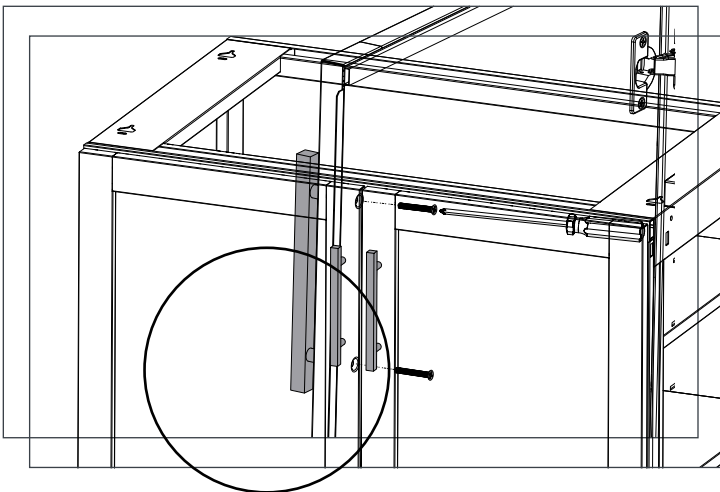
## **i** Pièces requises



## **1** Alignez la poignée avec les trous des portes.



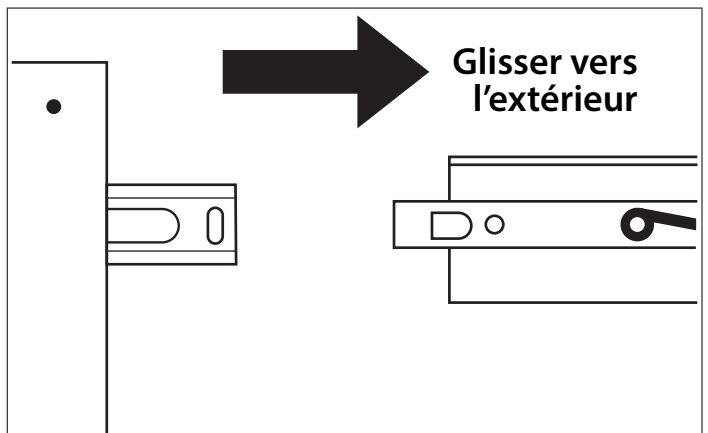
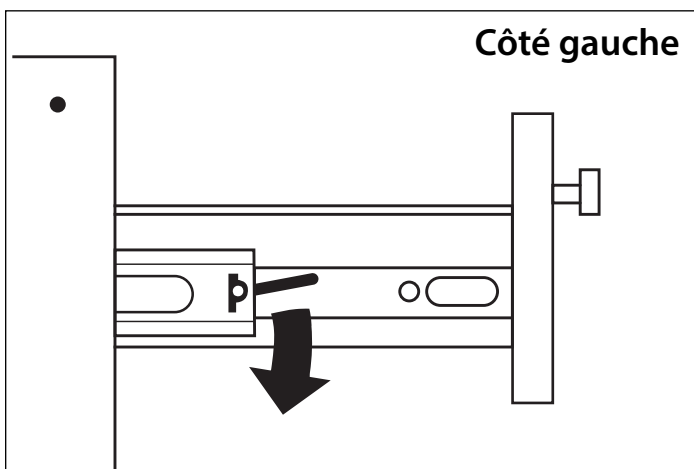
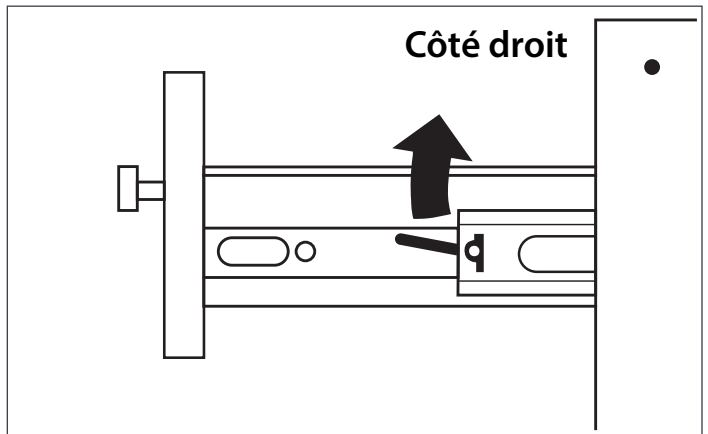
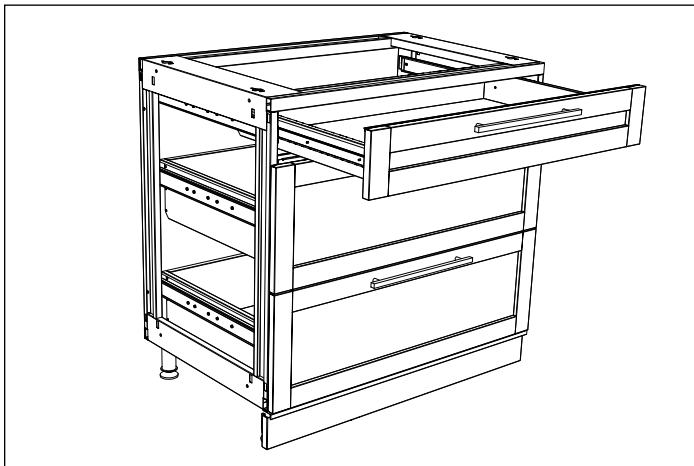
## **2** Installez la poignée avec deux boulons à tête CSK M4 x 25 mm.



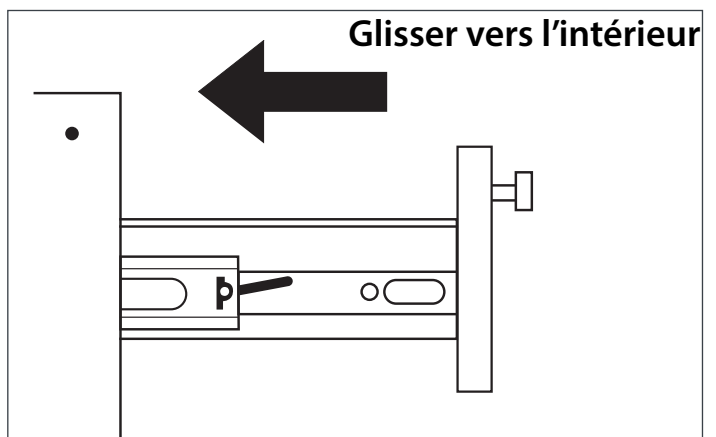
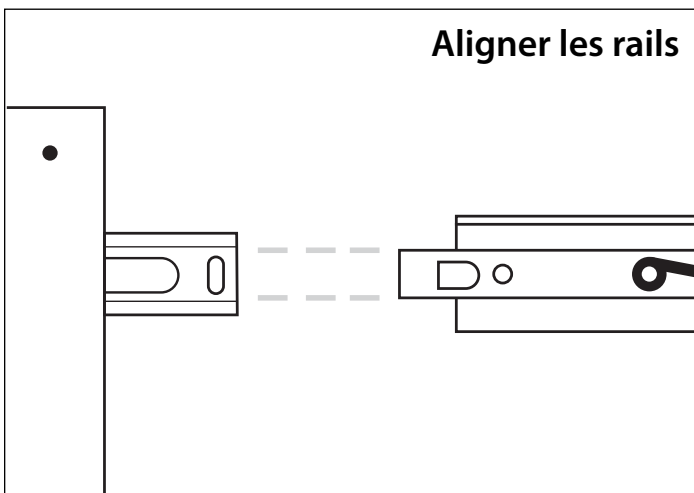
# Installation/Retrait des tiroirs

**i** REMARQUE : Pour assembler les armoires, les tiroirs peuvent être retirés afin de faciliter l'accès aux boulons et écrous d'assemblage.

## 1 Démontage des tiroirs

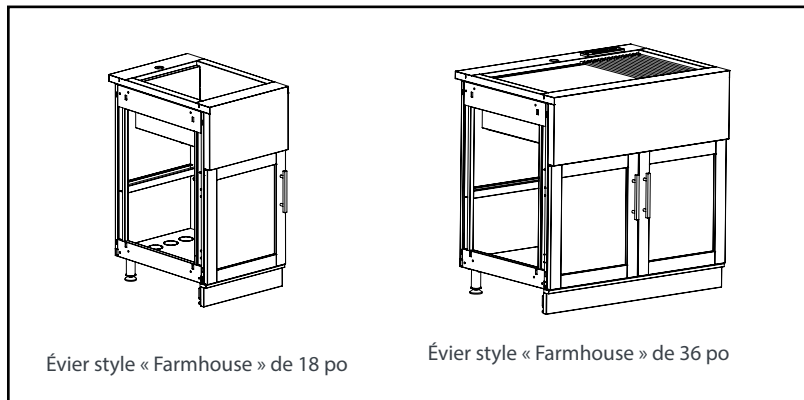


## 2 Insertion des tiroirs



# Préparation des armoires à évier

**i** Les instructions suivantes s'appliquent aux armoires ci-dessous

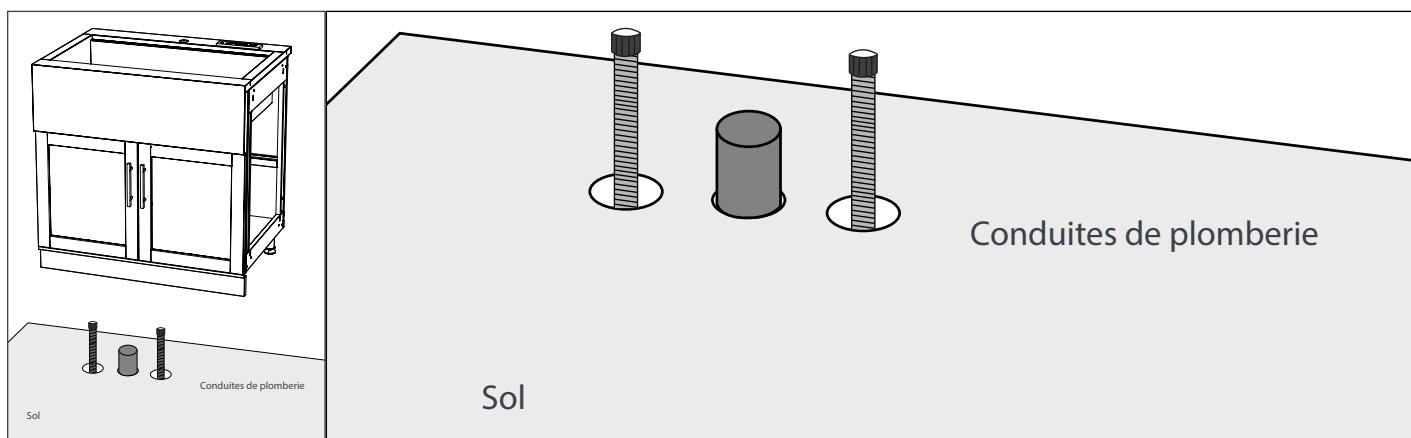


**i** **REMARQUE :** Assurez-vous que les travaux de plomberie sont effectués conformément aux codes du bâtiment de la région.

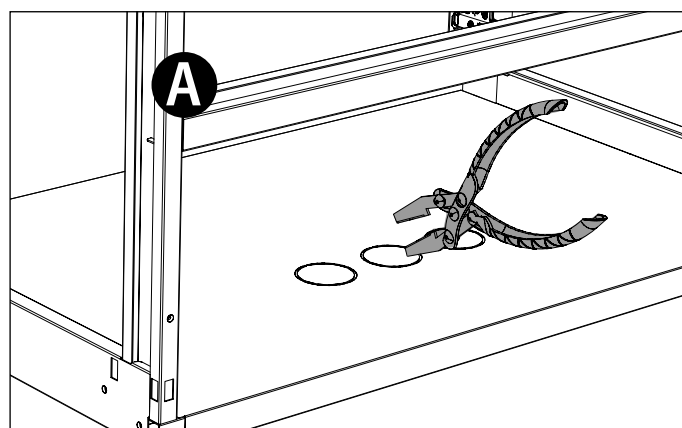
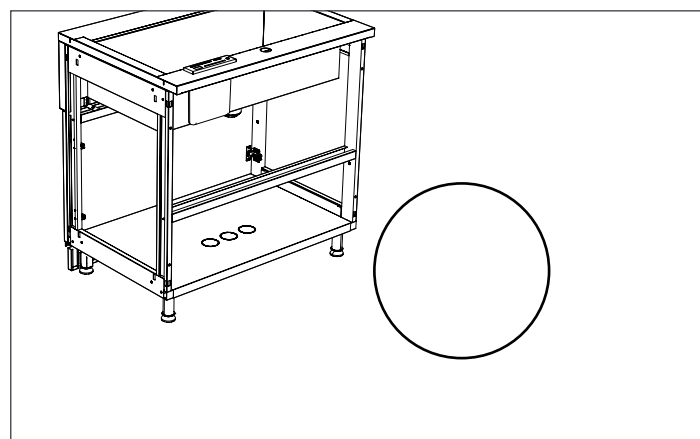
**i** **REMARQUE :** Il est recommandé qu'un plombier qualifié installe les armoires à évier.

**1** Assurez-vous que les conduites de plomberie (conduites d'eau froide/chaude et tuyau d'évacuation) sont situées sous l'armoire, alignées avec les trois trous pré-percés au bas de l'armoire.

**i** **REMARQUE :** Si les conduites de plomberie proviennent du mur arrière, assurez-vous de réaliser le trou traversant à l'arrière des panneaux en fibrociment et du matériau de finition.

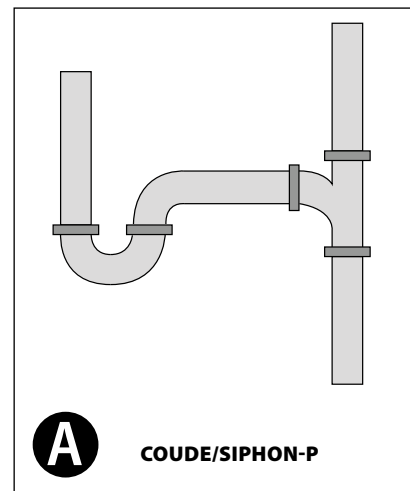
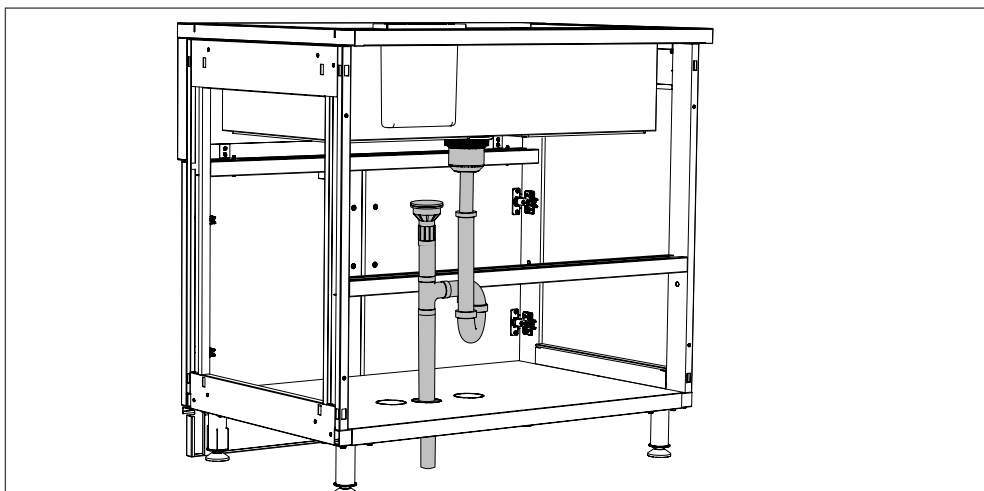


**2** Repérez les 3 trous pré-percés au bas de l'armoire pour les conduites de plomberie. À l'aide de ciseaux à métaux (A), coupez de petites bandes pour ouvrir les entrées défonçables.

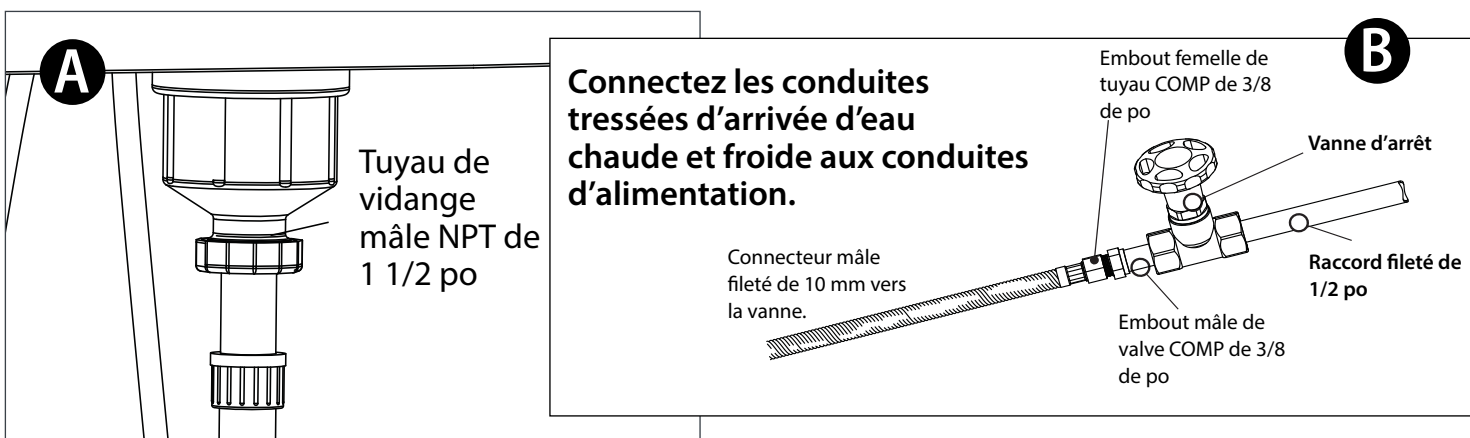


# Préparation des armoires à évier

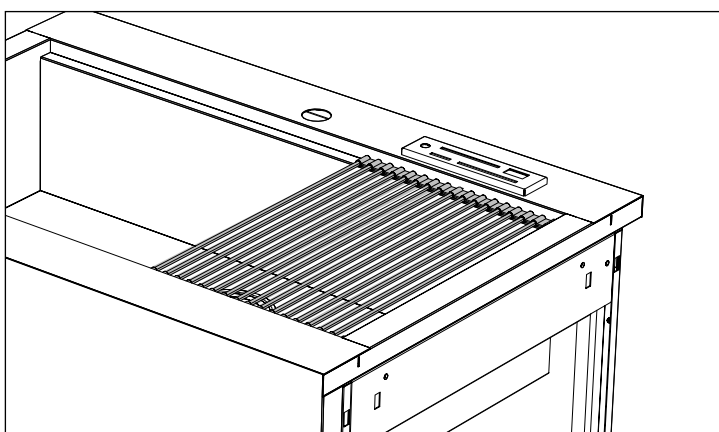
- 3** Veillez à appliquer les dernières normes de plomberie et les exigences des codes de construction de votre région. Le drainage siphon-P (A) est recommandé pour la plomberie.



- 4** Raccordez l'adaptateur du siphon à un siphon-P et à un tuyau de drainage. Connectez les lignes tressées d'arrivée d'eau chaude et froide aux lignes d'alimentation(B).

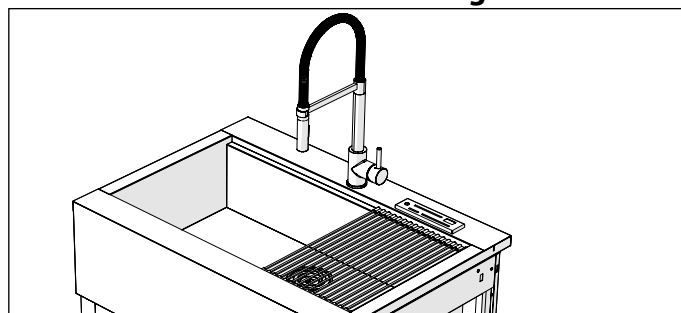


- 5** Placez le plateau de séchage sur la surface de l'évier.



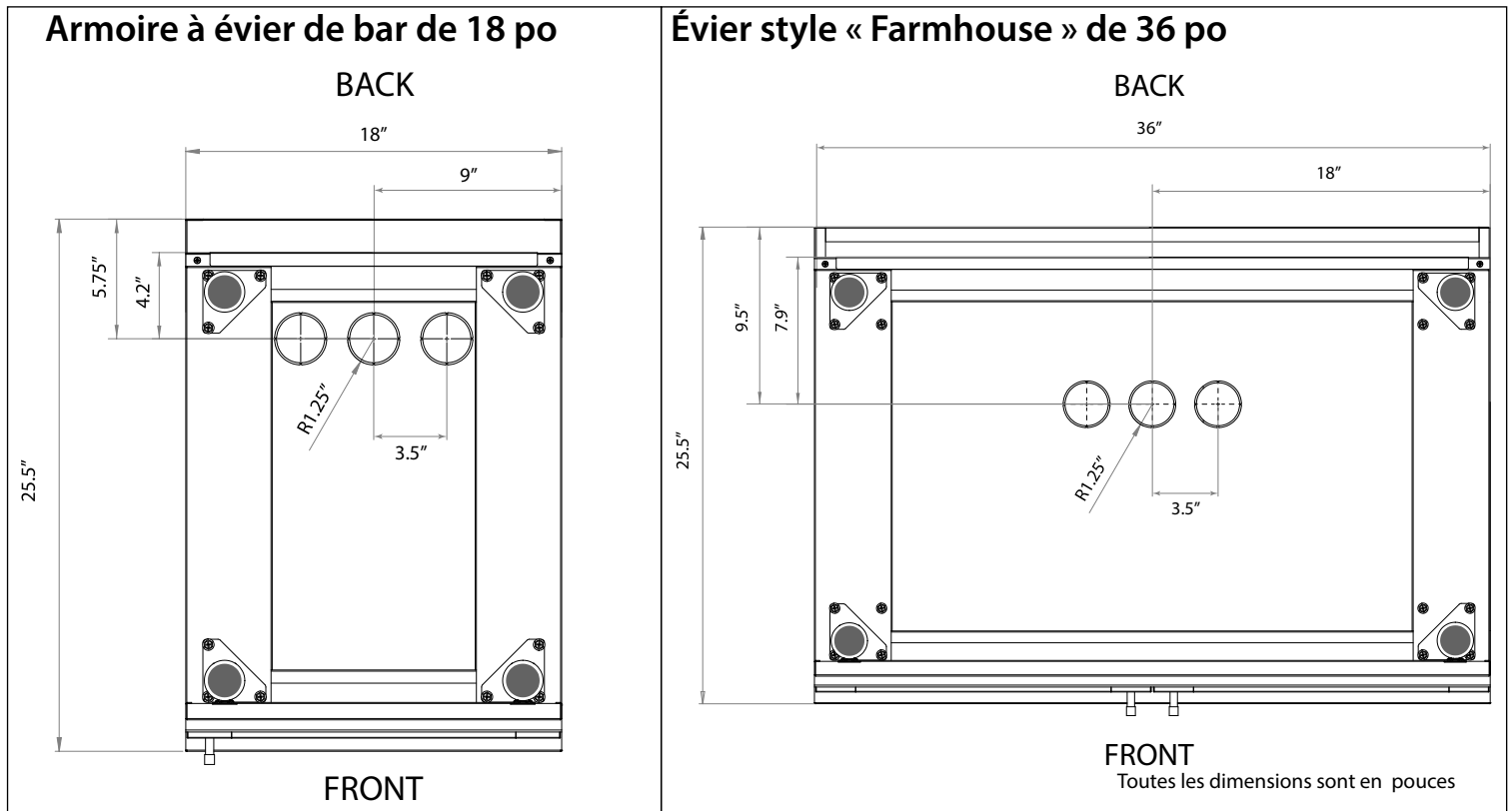
- 6** Installez le robinet à montage par le haut que vous avez choisi dans le trou pré-percé de l'évier.

Pour les instructions d'installation des robinets NewAge, veuillez vous référer au GUIDE D'INSTALLATION DES ROBINETS sur le **site Web du centre de soutien NewAge**



# Préparation des armoires à évier

**REMARQUE :** Les schémas suivants montrent la vue inférieure des armoires à évier pour comprendre l'emplacement des trous d'accès de la plomberie sur l'armoire.



## AVERTISSEMENT

Videz votre robinet avant l'hiver pour éviter les tuyaux gelés et les dommages potentiels. Les températures glaciales en hiver peuvent entraîner la dilatation de l'eau à l'intérieur des canalisations, provoquant leur fissuration ou leur éclatement. Pour se prémunir contre de tels problèmes, la vidange du robinet est une mesure préventive essentielle pour atténuer le risque de dommages coûteux et assurer la longévité de votre système de plomberie.

## Comment hiverner un robinet extérieur

- Assurez-vous de fermer l'arrivée d'eau au robinet.
  - Si un tuyau est fixé au robinet, débranchez-le et retirez la buse de pulvérisation. Vidangez soigneusement le tuyau et enroulez-le soigneusement.
  - Ouvrez le port de drainage.
  - Égoutter l'eau.
- Pour un robinet extérieur sans port de drainage intérieur, vidangez toute eau restante en ouvrant simplement le robinet. Une fois que toute l'eau s'est écoulée sur le sol, fermez le robinet.
- Isolez ou couvrez le robinet.

**INSTALLATION DES  
ARMOIRES PRÊTES  
À ASSEMBLER  
(ENSEMBLE PLAT)**

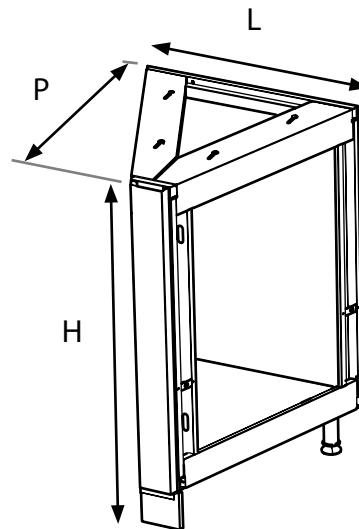
# Assemblage de l'armoire en angle à 45°

## Spécifications du produit







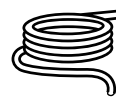




### Armoire en angle à 45°

L 20,99 po x P 21,53 po x H 34,75 po

N° d'UGS 66116



## Visserie incluse

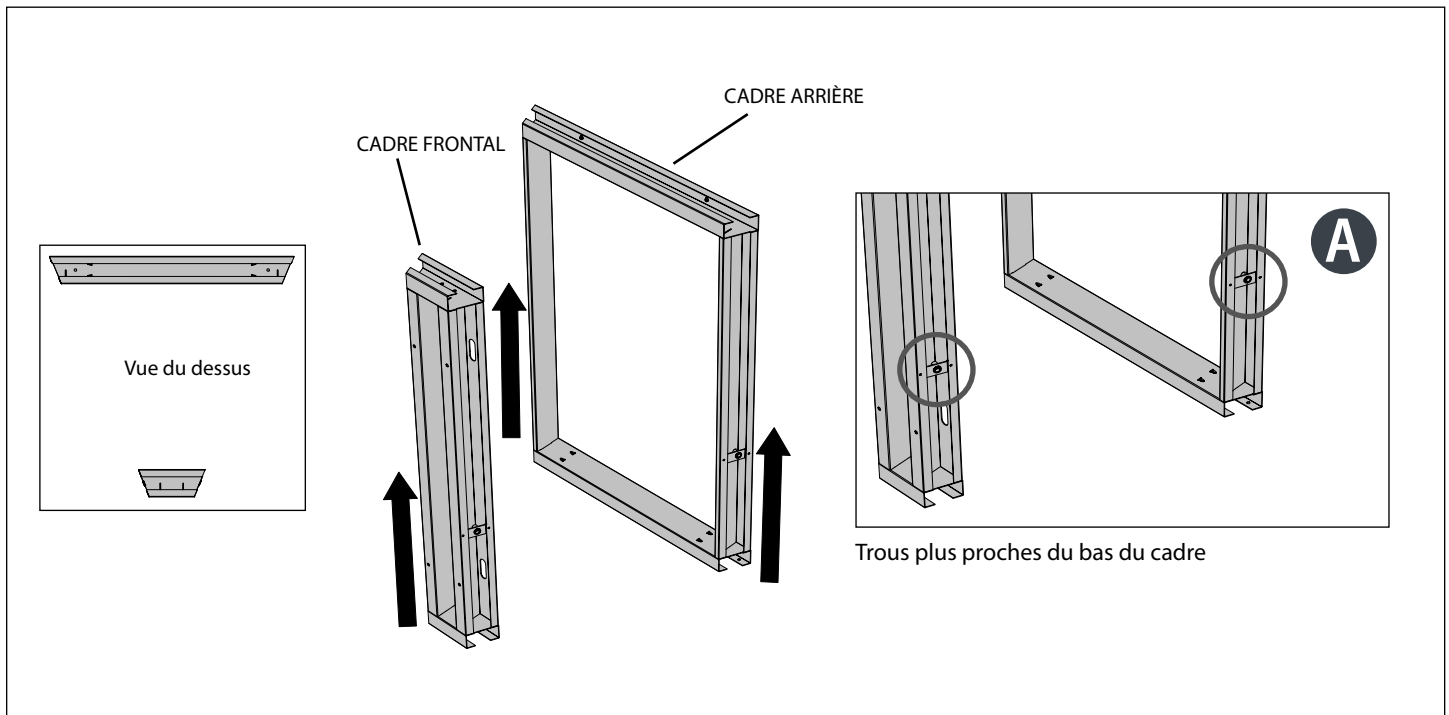
			
Boulon à tête hexagonale m6x50 mm <b>x4</b>	Vis à tête plate (#10x1,25 po) <b>x12</b>	Rondelle plate M6 <b>x4</b>	Vis à tête cylindrique large M4X10 mm <b>x12</b>
			
Patte de mise à niveau M8 <b>x3</b>	Tête hexagonale à bride Vis M6X12 mm <b>x12</b>	Joint en caoutchouc (fourni) <b>X1</b>	Mèche M3.5 (fournie) <b>X1</b>
			
Patte du milieu <b>x1</b>	Patte arrière gauche <b>x1</b>	Patte arrière droite <b>x1</b>	

N° de S.	Description	Armoire en angle à 45°
1	Boulon à tête hexagonale - M6x50 mm	4
2	Vis à tête plate (#10x1,25 po) (Pour le montage des panneaux de fibres de ciment sur les armoires)	12
3	Rondelle plate M6	4
4	Vis à tête cylindrique large M4X10 mm	12
5	Patte de mise à niveau M8	3
6	Vis à tête hexagonale à bride M6X12 mm	12
7	Joint en caoutchouc (pour l'assemblage du comptoir)	1
8	Mèche M3.5 (pour le montage des panneaux en fibrociment sur les armoires)	1
9	Patte du milieu	1
10	Patte arrière gauche	1
11	Patte arrière droite	1

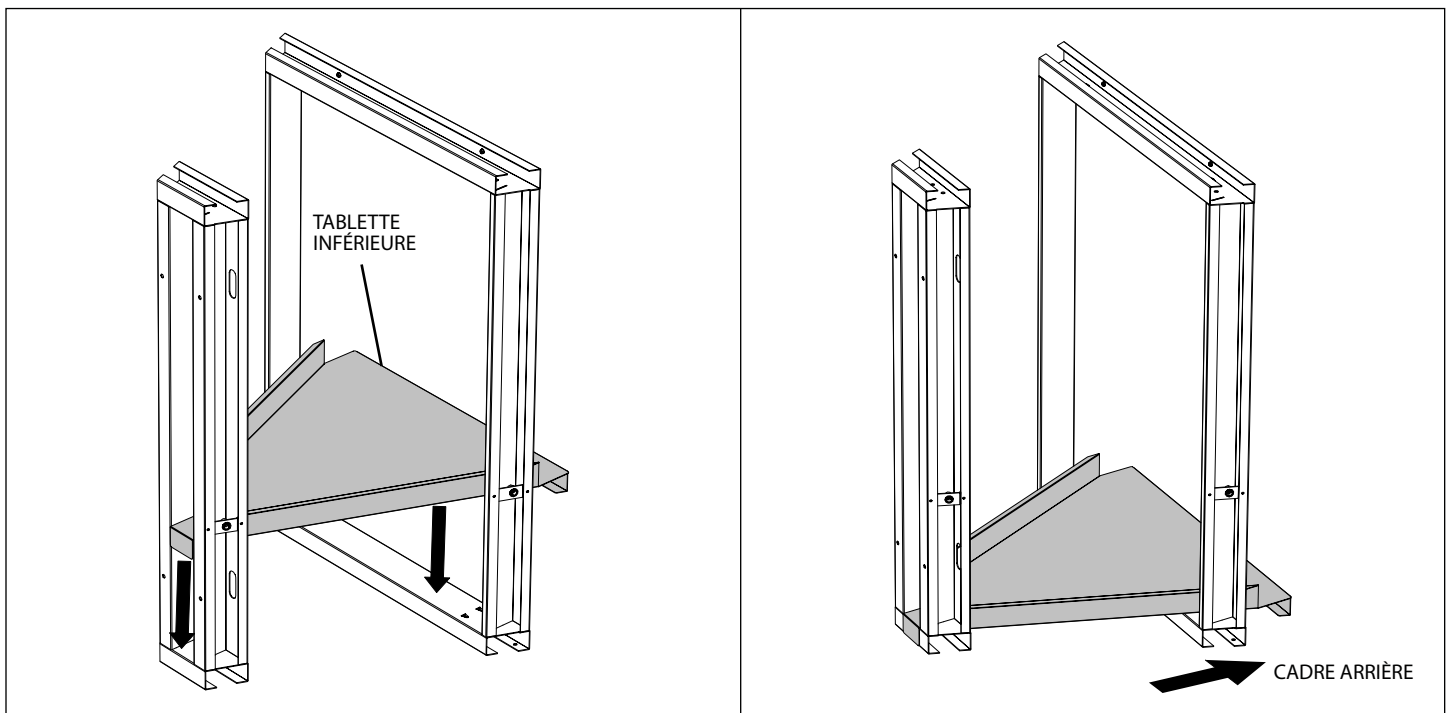


# Assemblage de l'armoire en angle à 45°

- 1 Placez les deux cadres soudés à la verticale. Veillez à l'orientation comme indiqué (A).

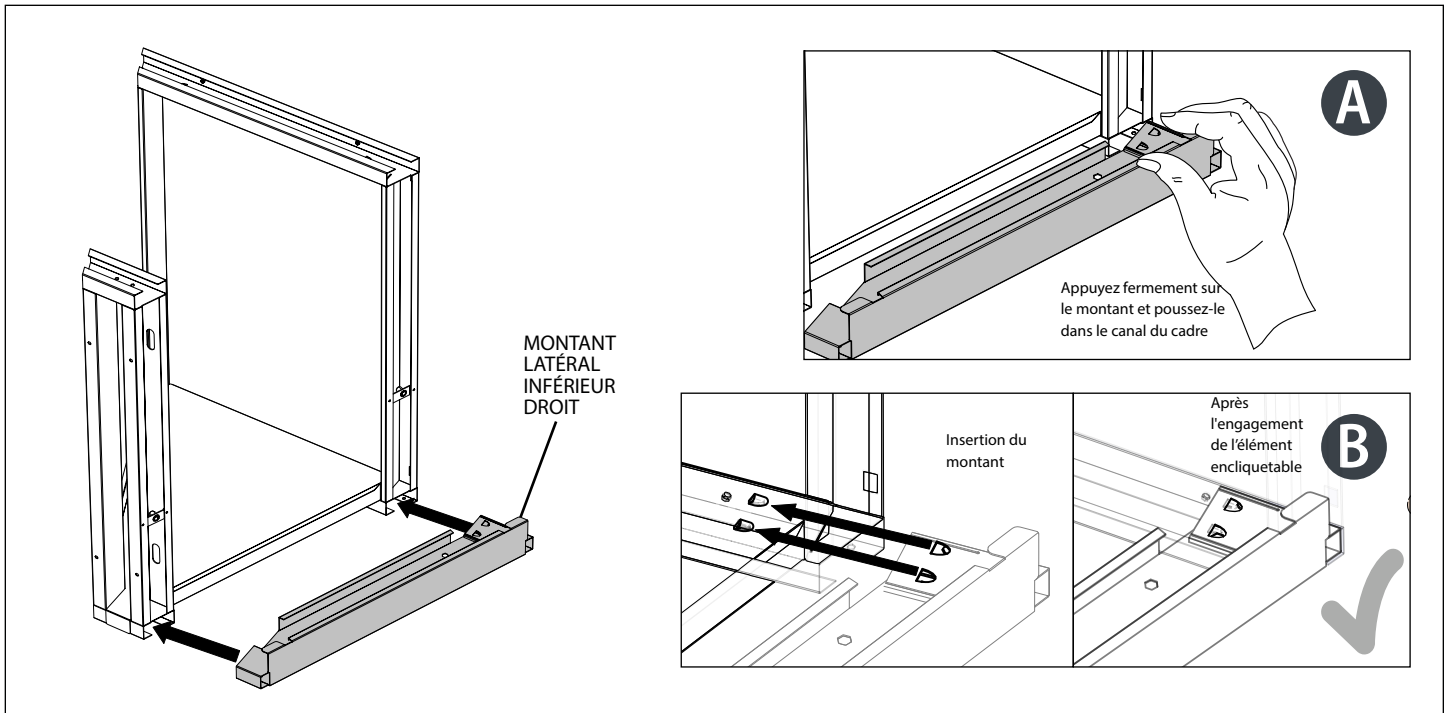


- 2 Tout en tenant les cadres, placez la tablette inférieure sur les montants de base des deux cadres. Poussez le cadre soudé arrière vers l'extérieur pour qu'ils s'adaptent parfaitement à l'étagère inférieure.

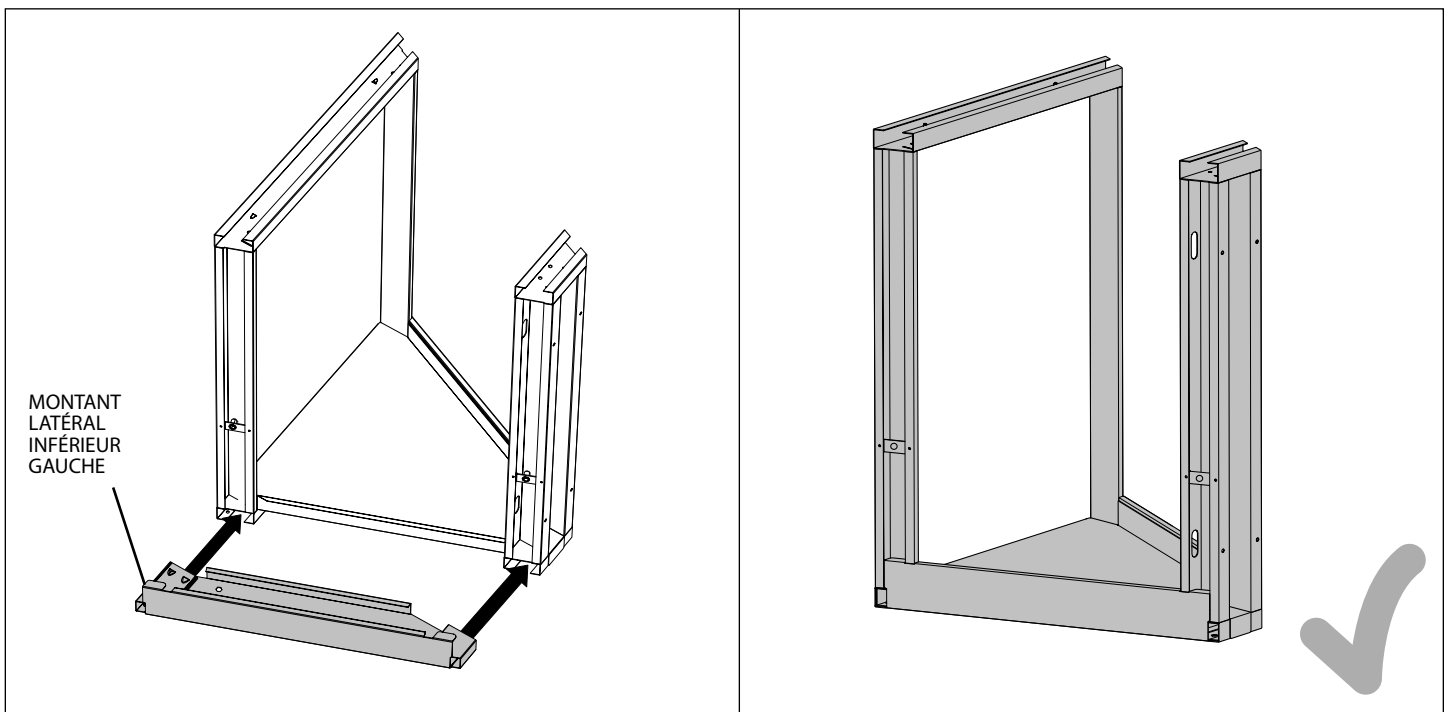


# Assemblage de l'armoire en angle à 45°

- 3** Faites glisser le montant latéral inférieur droit dans les canaux ouverts des cadres. Pour s'assurer que l'ajustement est adéquat, placez vos doigts sur le montant comme indiqué (A) et poussez-le vers le canal jusqu'à ce que l'élément encliquetable (B) s'engage complètement.

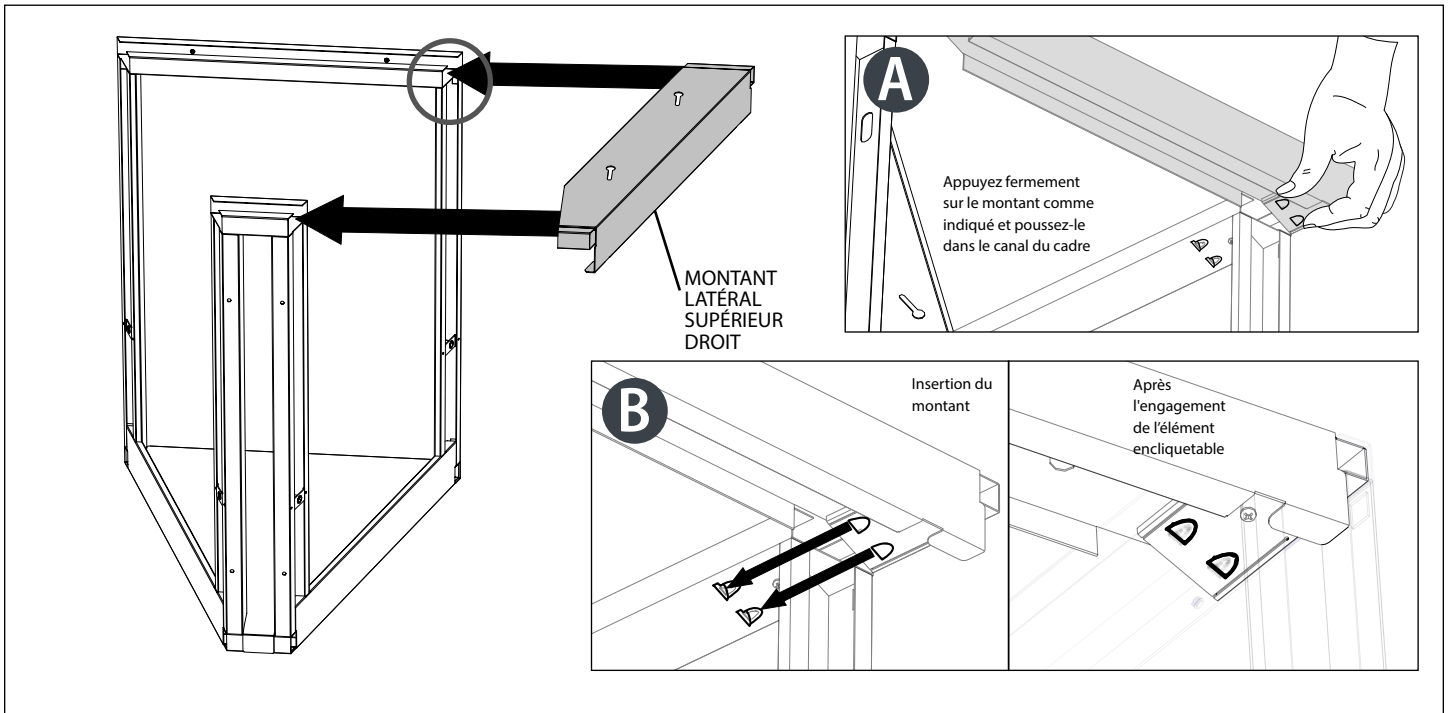


- 4** De la même façon, installez le montant latéral inférieur gauche.

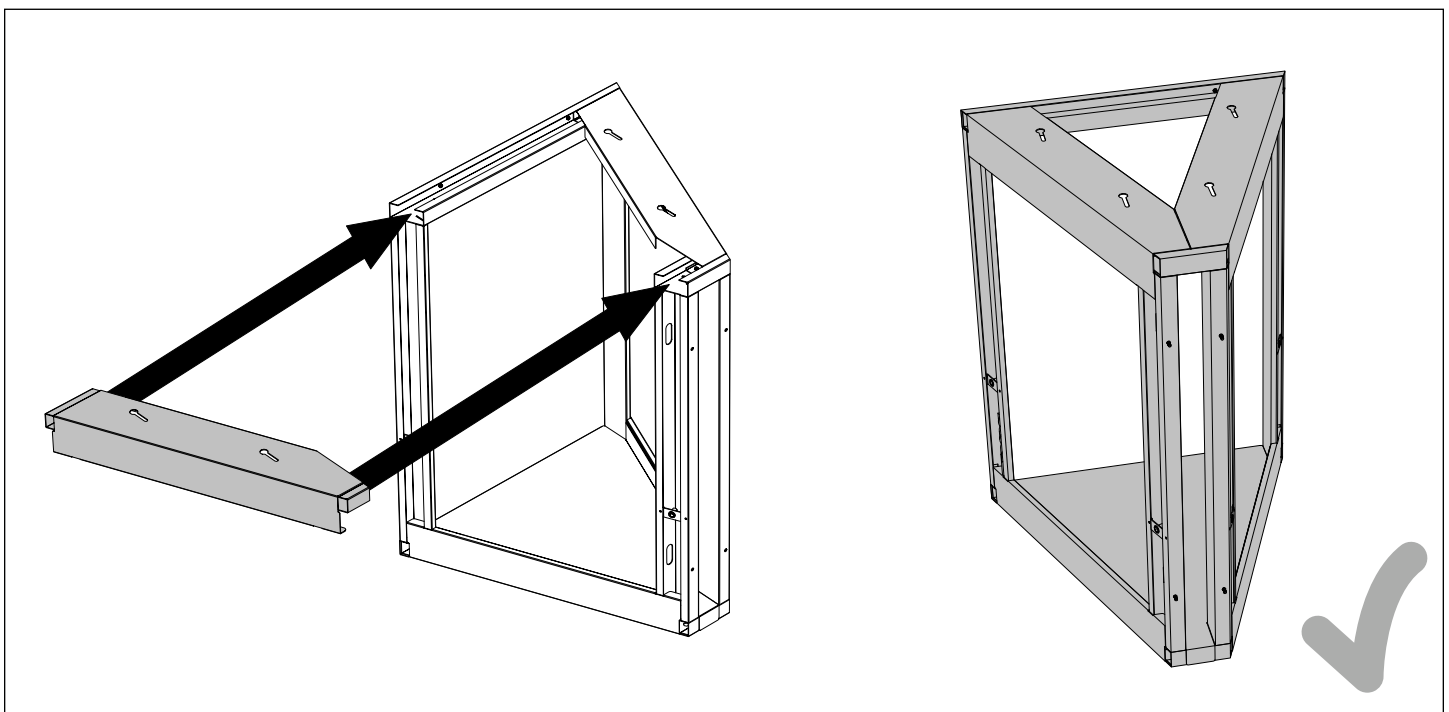


# Assemblage de l'armoire en angle à 45°

- 5** Faites glisser le montant latéral supérieur droit dans les canaux ouverts des cadres. Pour s'assurer que l'ajustement est adéquat, placez vos doigts sur le montant comme indiqué (A) et poussez-le vers le canal jusqu'à ce que l'élément encliquetable (B) s'engage complètement.

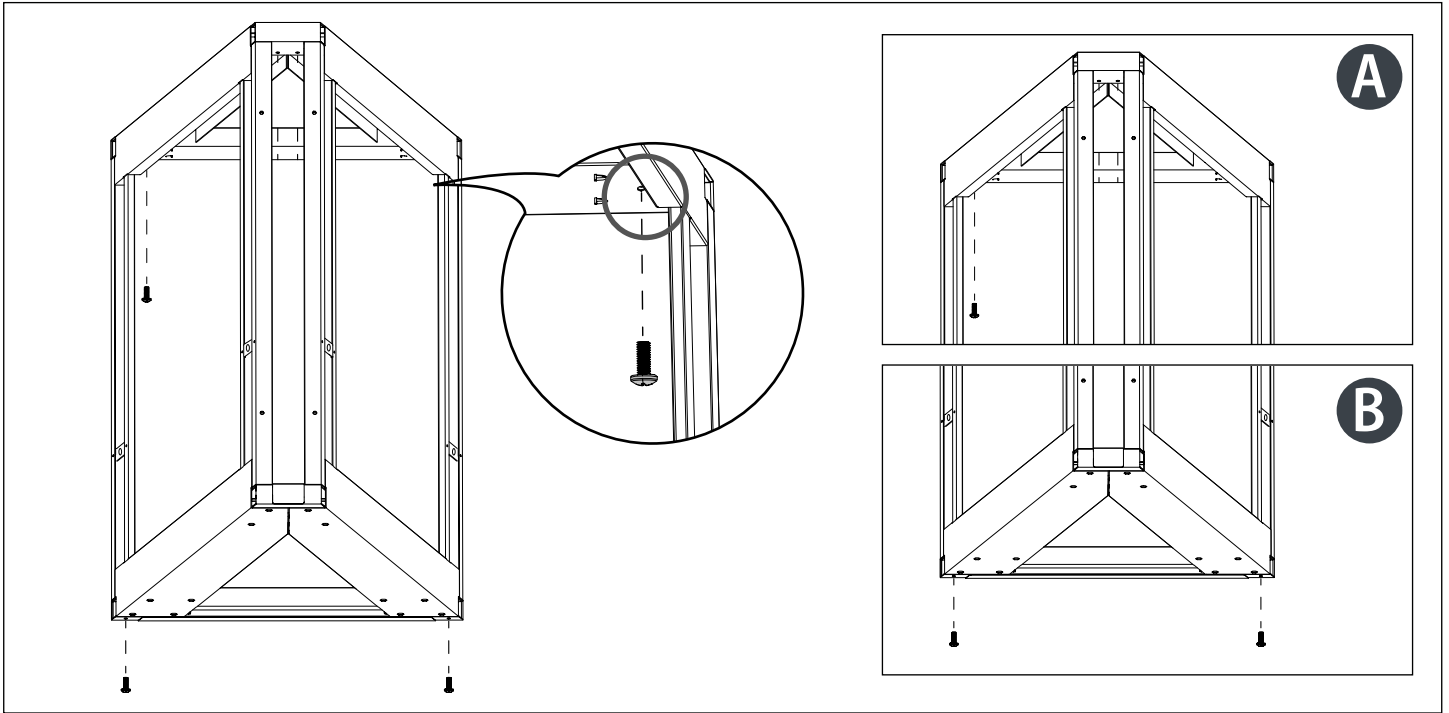


- 6** De même, installez le montant latéral supérieur gauche.

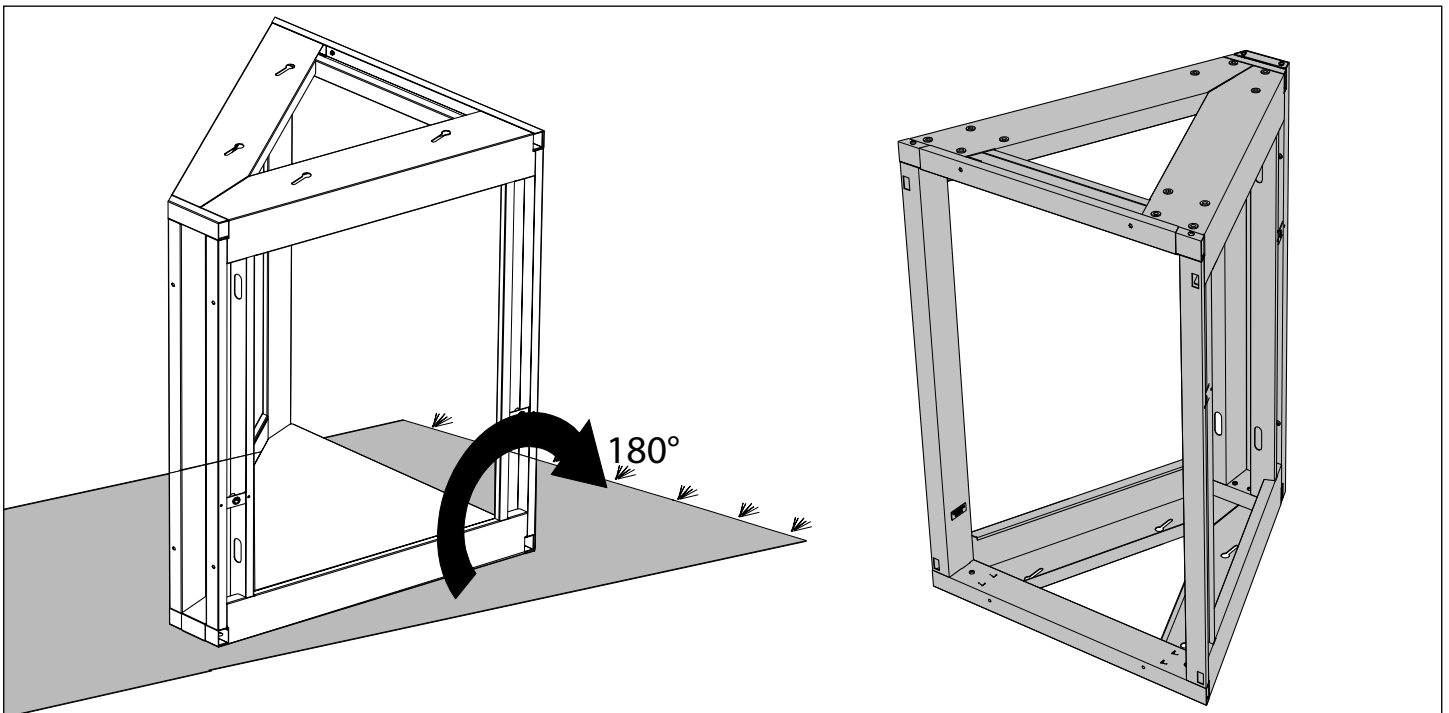


# Assemblage de l'armoire en angle à 45°

- 7** Installez 6x vis à tête cylindrique large M4. Assurez-vous qu'il y a quatre vis sur le haut (A) et deux vis sur le bas (B).

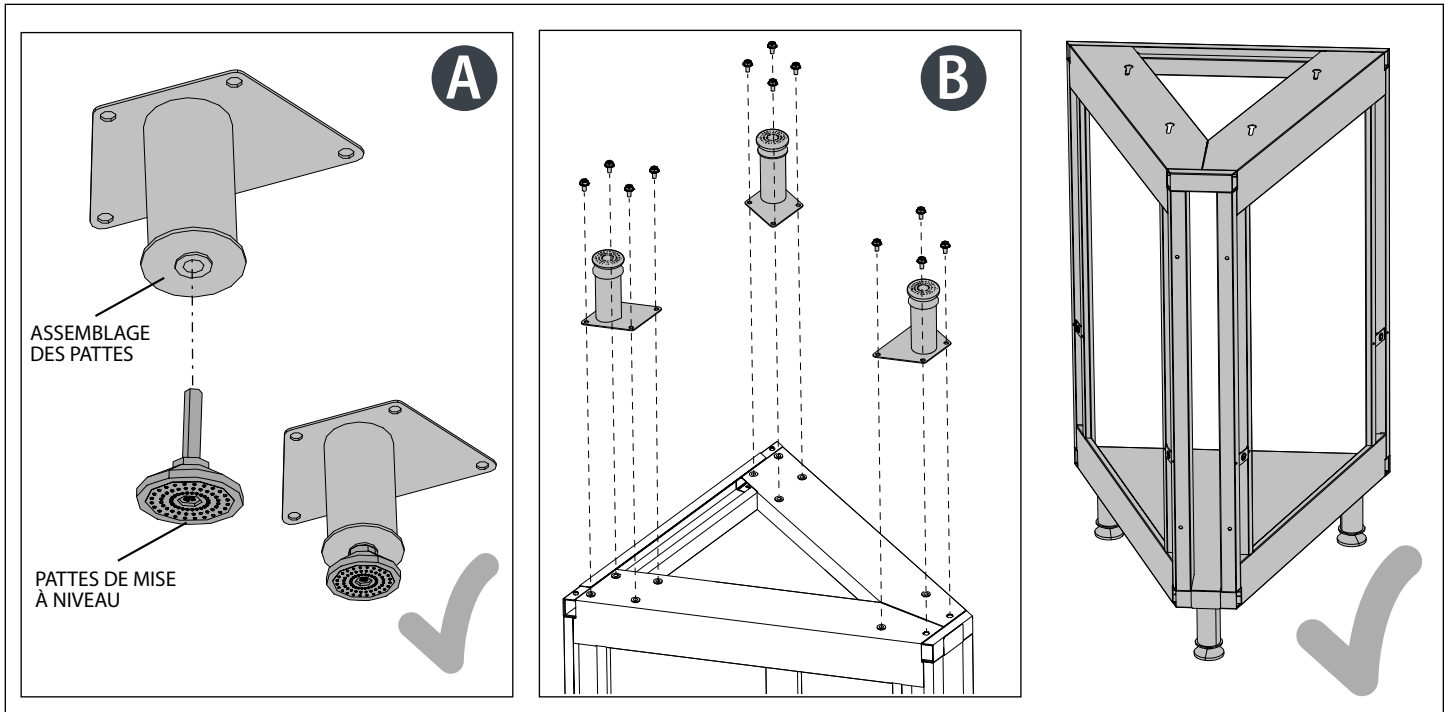


- 8** Retournez le cadre de l'armoire à 180° sur une surface sûre et propre.

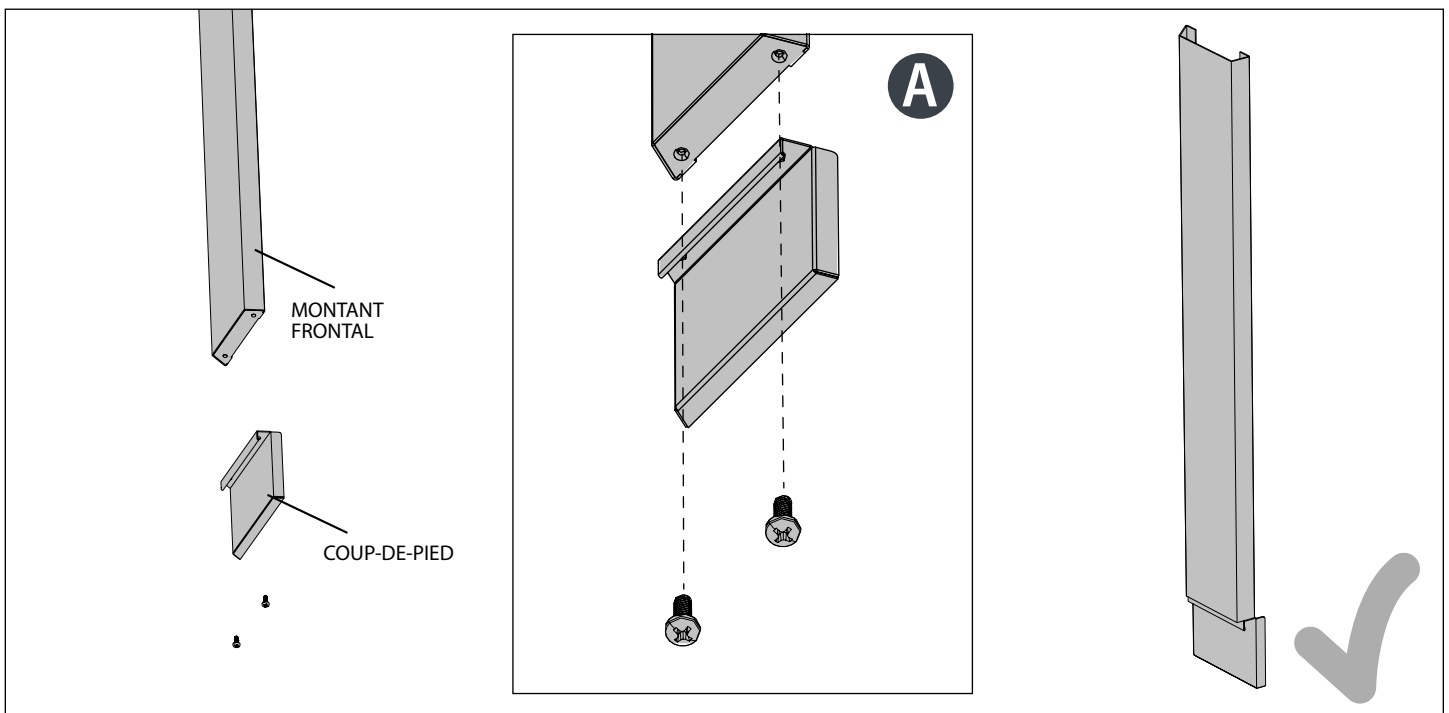


# Assemblage de l'armoire en angle à 45°

- 9** Serrez les 3x pattes de mise au niveau dans les 3x pattes prévues à cet effet (A). Installez les 3 pattes sur la base des montants sur le cadre à l'aide des 12x vis à tête hexagonale à bride M6 comme indiqué (B).

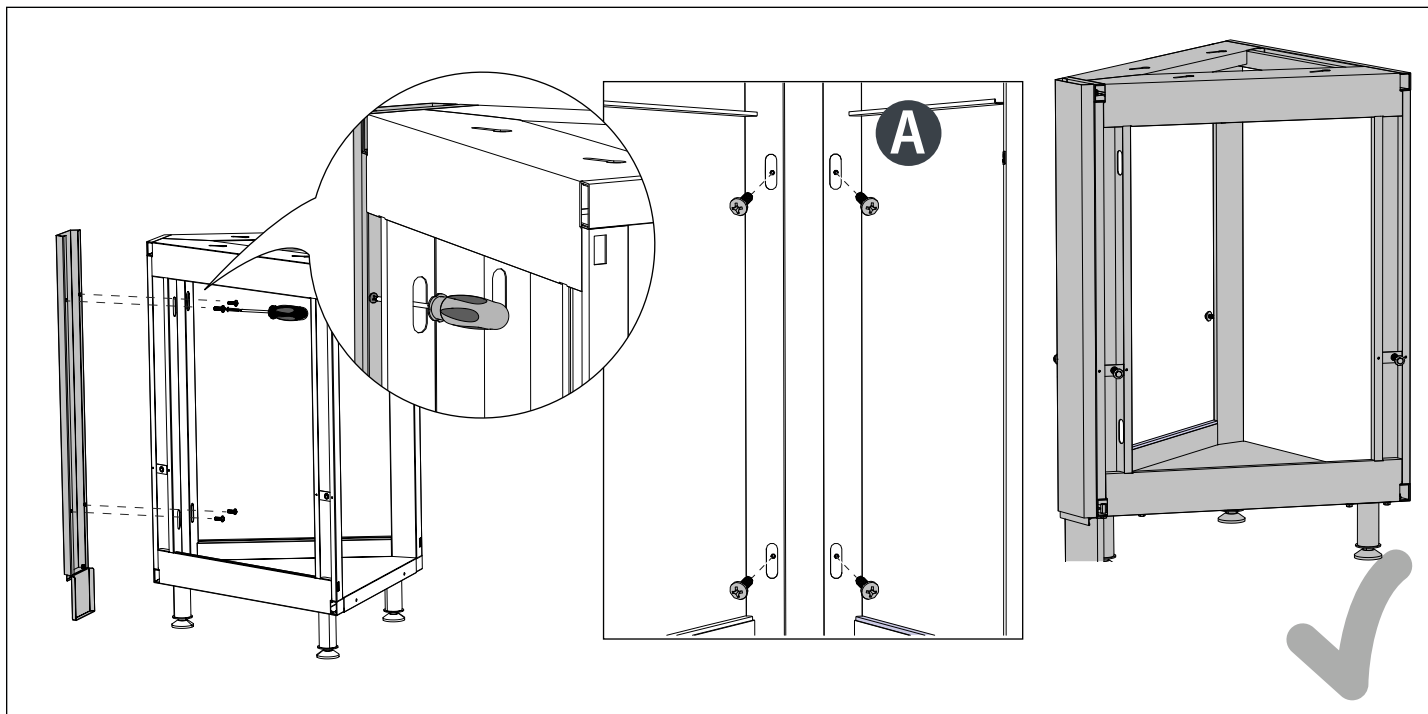


- 10** Installez le coup-de-pied inférieur sur le montant avant à l'aide de 2x vis à tête cylindrique M4 comme indiqué (A).

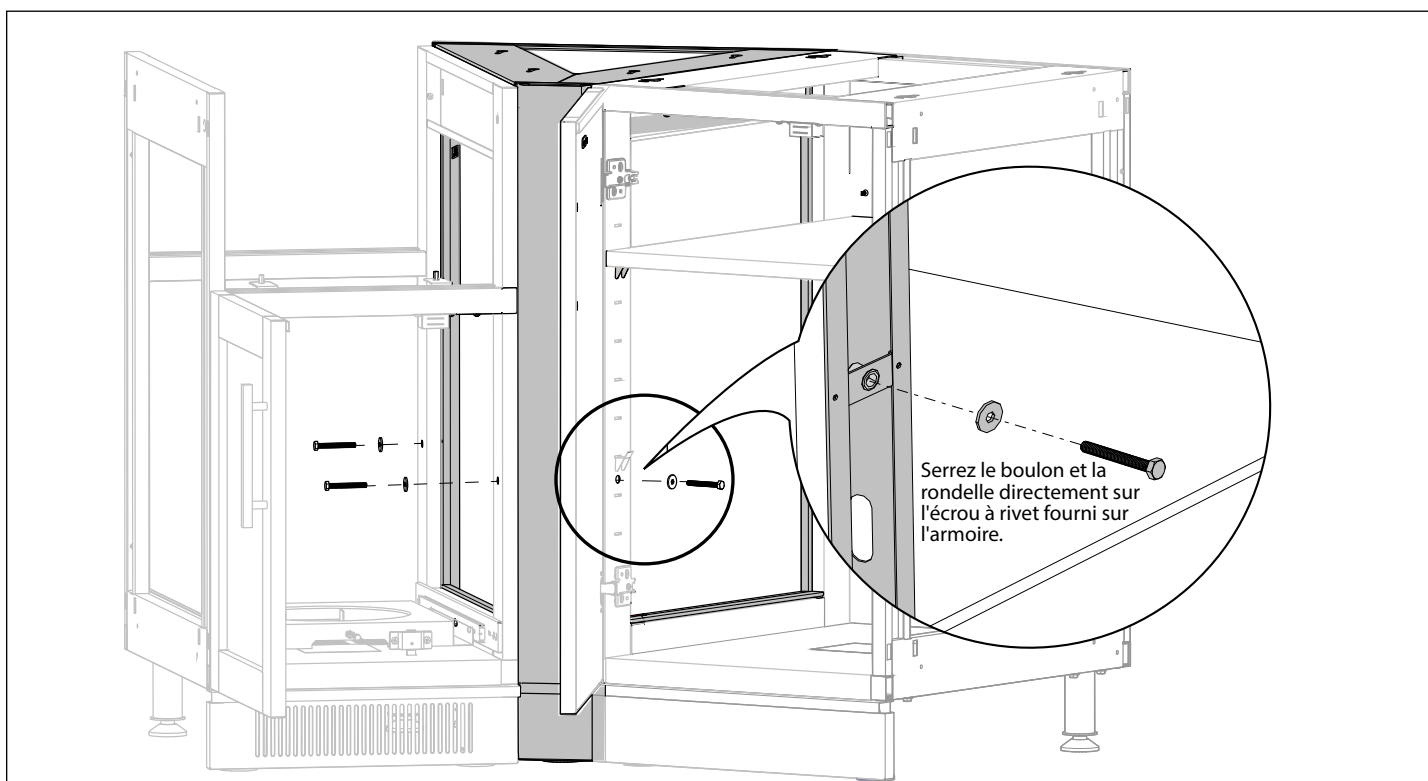


# Assemblage de l'armoire en angle à 45°

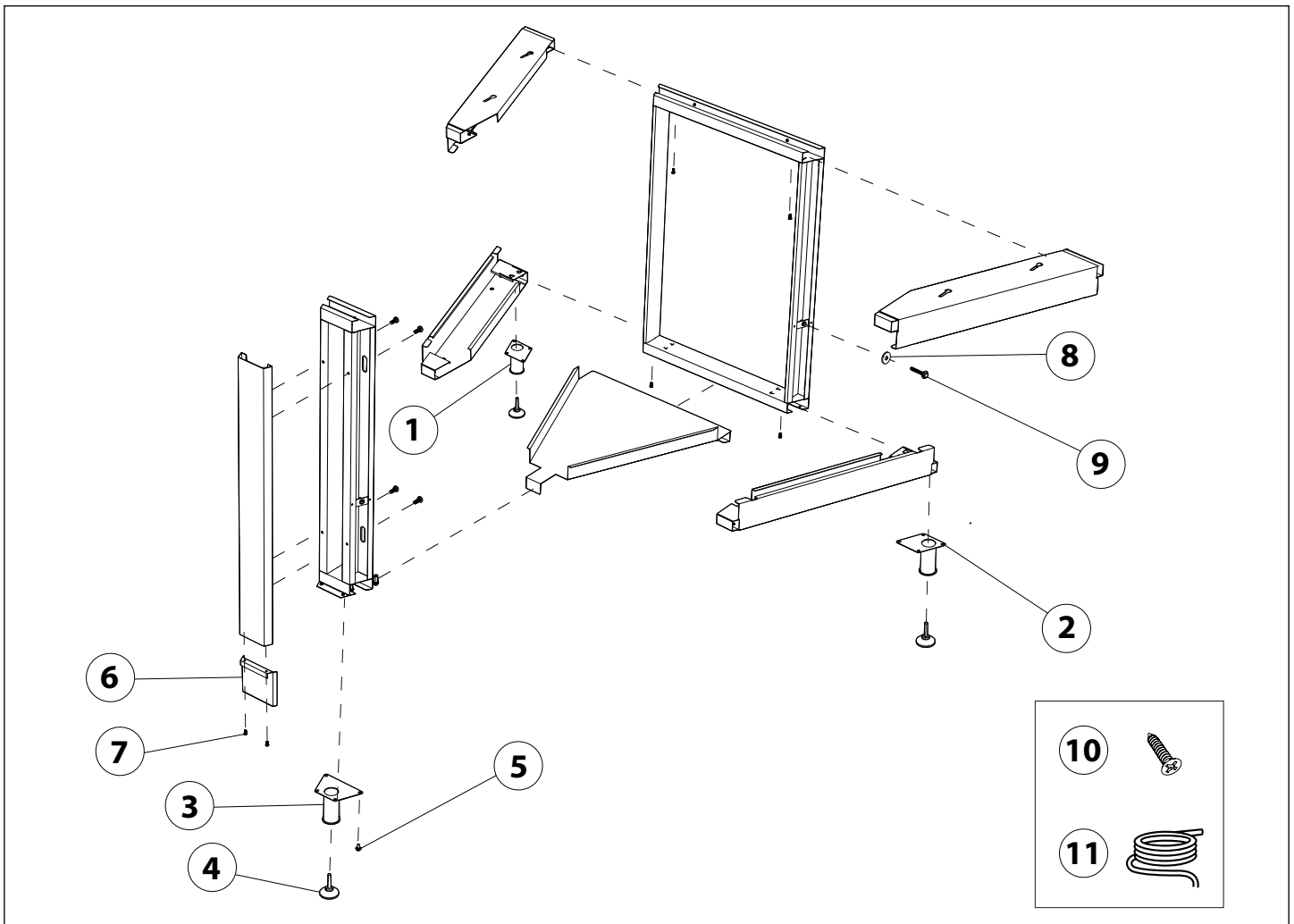
- 11** Installez le montant avant sur le cadre principal à l'aide de 4x vis à tête cylindrique large M4 comme indiqué (A).



- 12** **REMARQUE :** Pour fixer les armoires à faux cadre, utilisez la visserie (2x boulons à tête hexagonale M6, 4x rondelles plates M6) fournie. Mettez les armoires à niveau et serrez tous les boulons.



# Pièces de rechange - Armoire en angle à 45°



Légende	Numéro technique de pièce	Description	Qté
1	OK2-17.004.01A-01	Patte arrière gauche	1
2	OK2-17.005.01A-01	Patte arrière droite	1
3	OK2-17.006.01A-01	Patte du milieu	1
4	H00196A-01	Patte de mise à niveau M8	1
5	H00532A-01	Vis à tête hexagonale pour bride - M6X12	1
6	OK2-17.007A-01	Armoires en angle à 45° - Coup-de-pied	1
7	H00204A-01	Vis à tête cylindrique large M4X10 mm	1
8	H00199A-01	Rondelle plate M6	1
9	H00198A-01	Boulon à tête hexagonale - M6x50 mm	1
10	H00633A-01	Vis à tête plate (#10x1,25 po) - Pour les panneaux en fibrociment	1
11	OK2-10.006A-01	Joint en caoutchouc - pour comptoir	1

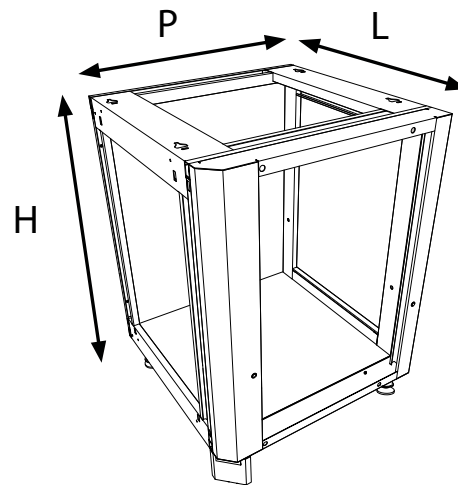
# Assemblage de l'armoire en angle à 90°

## Spécifications du produit


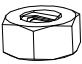
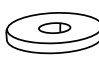


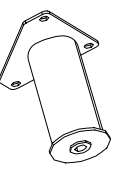




### Armoire en angle à 90°

L 24,75 po x P 24,73 po x H 34,77 po

N° d'UGS 66115



## Visserie incluse

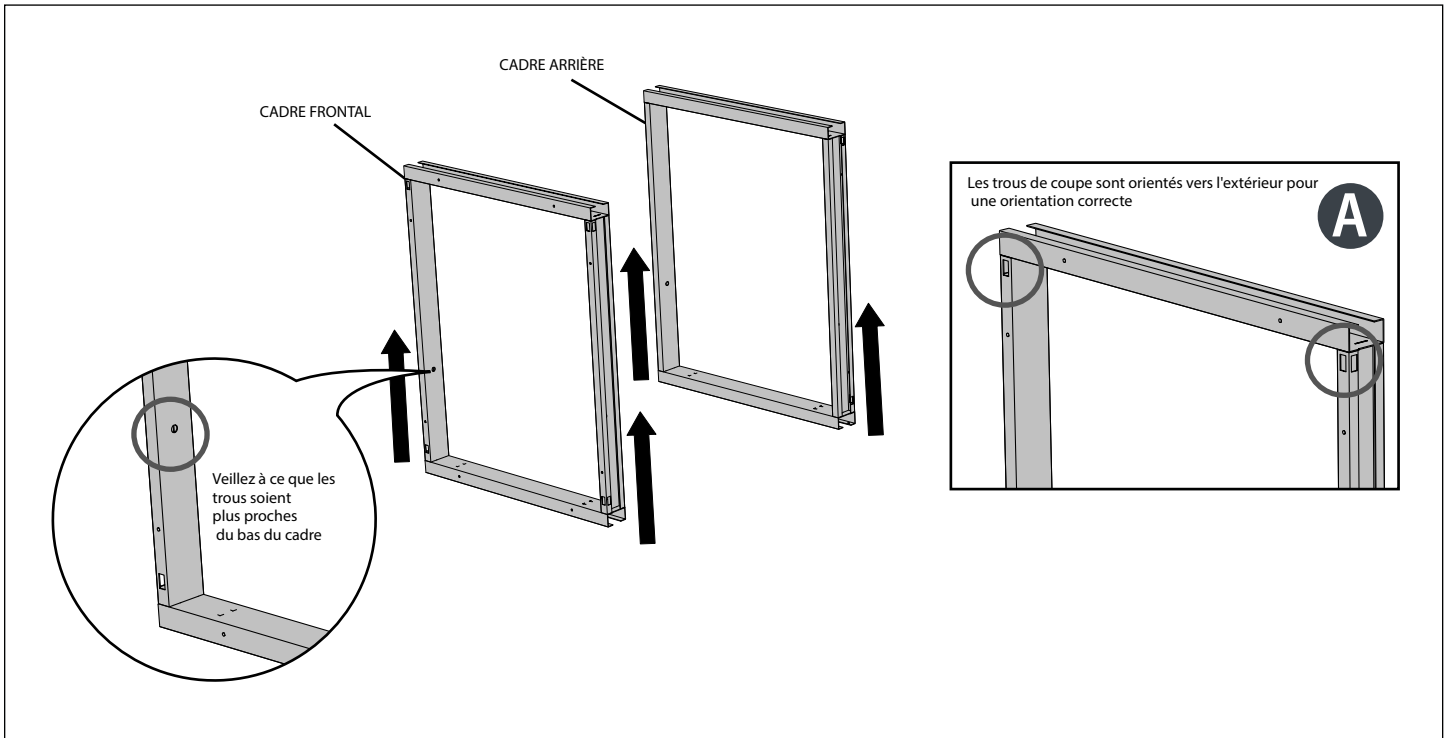
				
Boulon à tête hexagonale m6x50 mm <b>X4</b>	Écrou hexagonal M6 <b>X2</b>	Rondelle plate M6 <b>X6</b>	Vis à tête cylindrique large M4X10 mm <b>X14</b>	Vis à tête plate (#10x1,25 po) <b>X12</b>
				
Pattes <b>X4</b>	Pattes de mise à niveau M8 <b>X4</b>	Vis à tête hexagonale à bride M6X12 mm <b>X12</b>	Joint en caoutchouc (fourni) <b>X1</b>	Mèche M3.5 (fournie) <b>X1</b>

N° de S.	Description	Armoire en angle à 90°
1	Boulon à tête hexagonale - M6x50 mm	4
2	Écrou M6	2
3	Rondelle plate M6	6
4	Vis à tête cylindrique large M4X10 mm	14
5	Patte	4
6	Vis à tête plate (#10x1,25 po) (Pour le montage des panneaux en fibrociment sur les armoires)	12
7	Patte de mise à niveau M8	4
8	Vis à tête hexagonale à bride M6X12	12
9	Joint en caoutchouc (pour l'assemblage du comptoir)	1
10	Mèche M3.5 (pour le montage des panneaux en fibrociment sur les armoires)	1

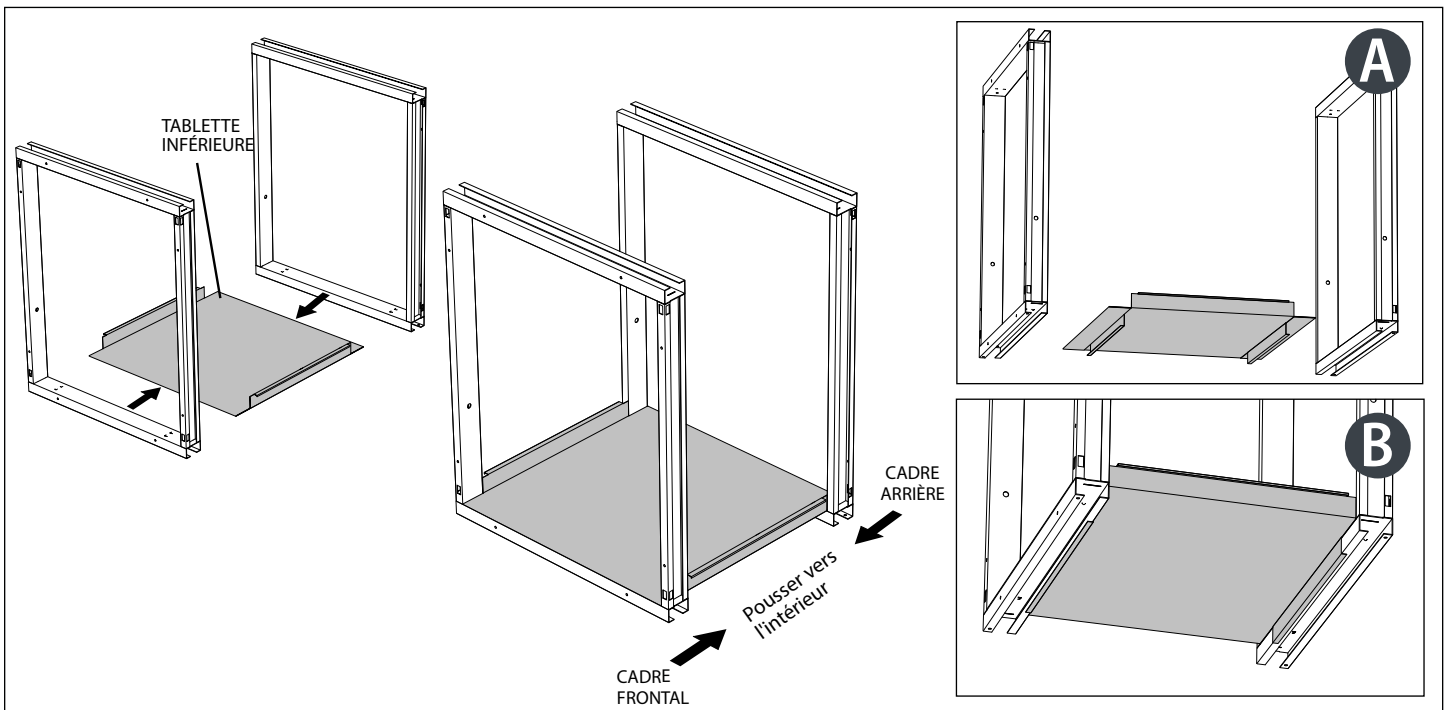


# Assemblage de l'armoire en angle à 90°

- 1** Placez les deux cadres soudés à la verticale. Veillez à l'orientation comme indiqué (A).

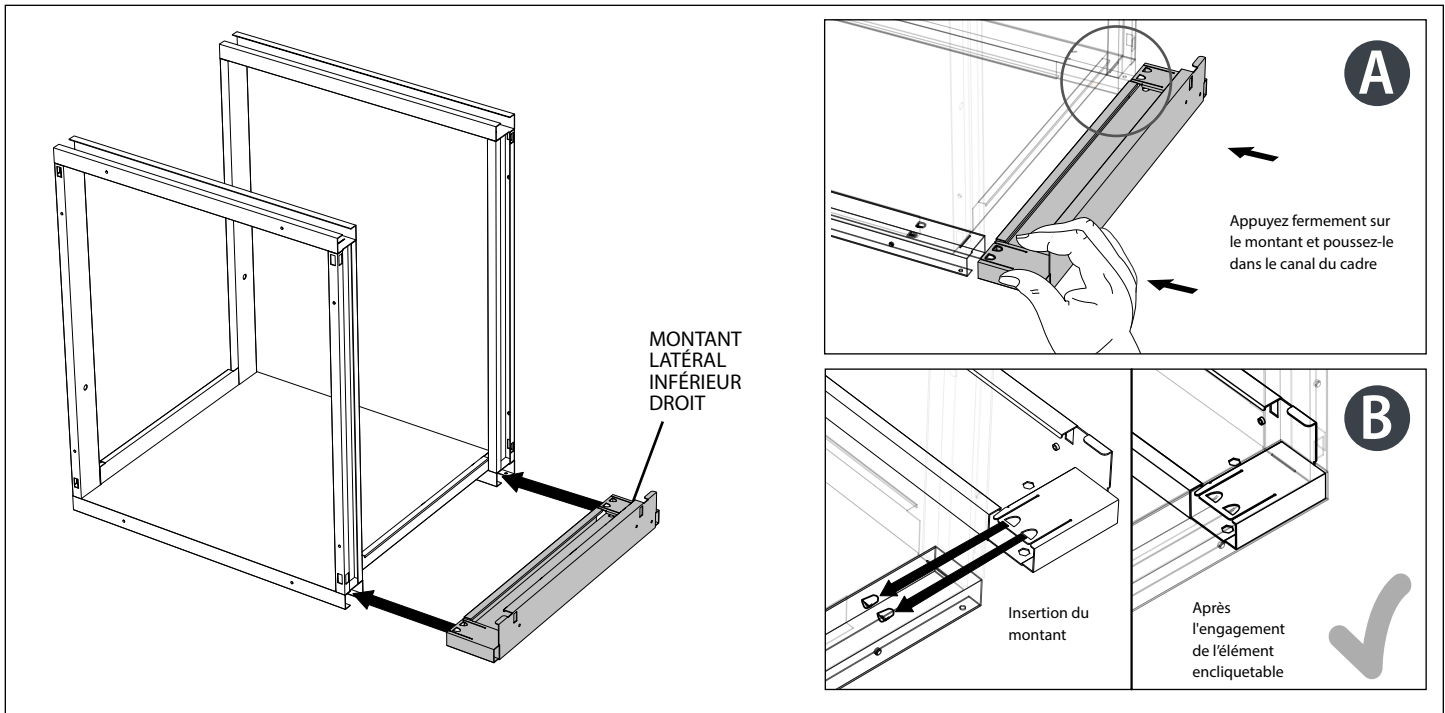


- 2** Tout en tenant le cadre, placez la tablette inférieure sur les montants de base des deux cadres (A). Poussez le cadre soudé vers l'intérieur pour l'ajuster à la tablette inférieure (B).

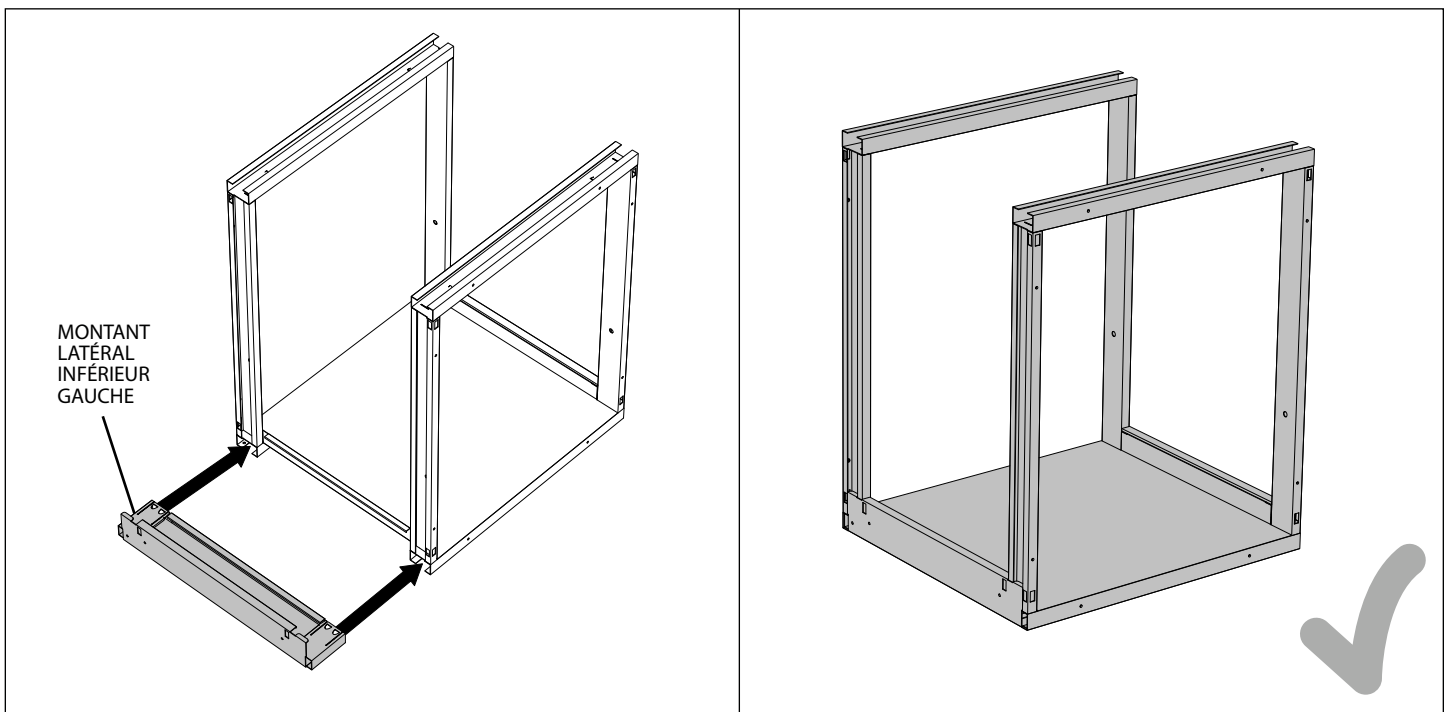


# Assemblage de l'armoire en angle à 90°

- 3** Faites glisser le montant latéral inférieur droit dans les canaux ouverts des cadres. Pour s'assurer que l'ajustement est adéquat, placez vos doigts sur le montant comme indiqué (A) et poussez-le vers le canal jusqu'à ce que l'élément encliquetable s'engage complètement comme indiqué (B).

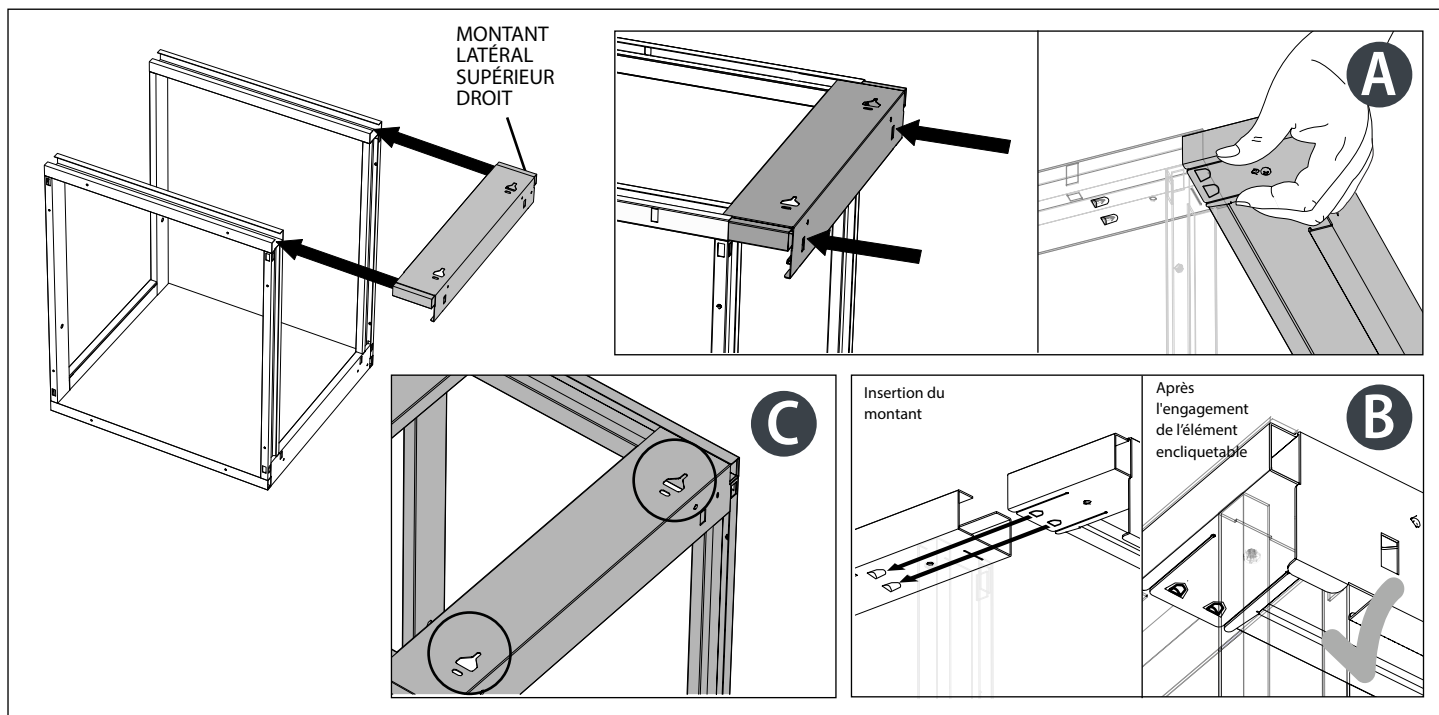


- 4** De la même façon, installez le montant latéral inférieur gauche.

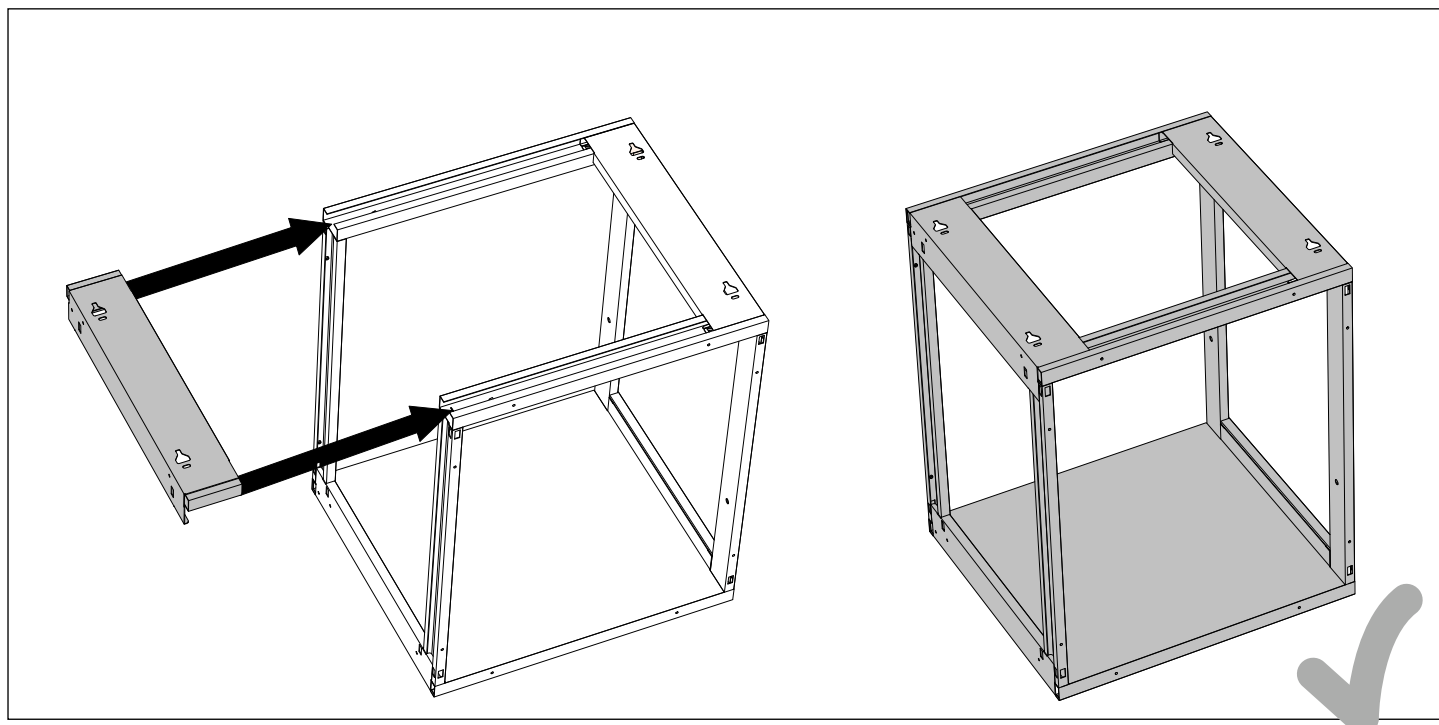


# Assemblage de l'armoire en angle à 90°

- 5** Faites glisser le montant latéral supérieur droit dans les canaux ouverts des cadres. Pour s'assurer que l'ajustement est adéquat, placez vos doigts sur le montant comme indiqué (A) et poussez-le vers le canal jusqu'à ce que l'élément encliquetable s'engage complètement comme indiqué (B). Pour une orientation adéquate, consultez (C).

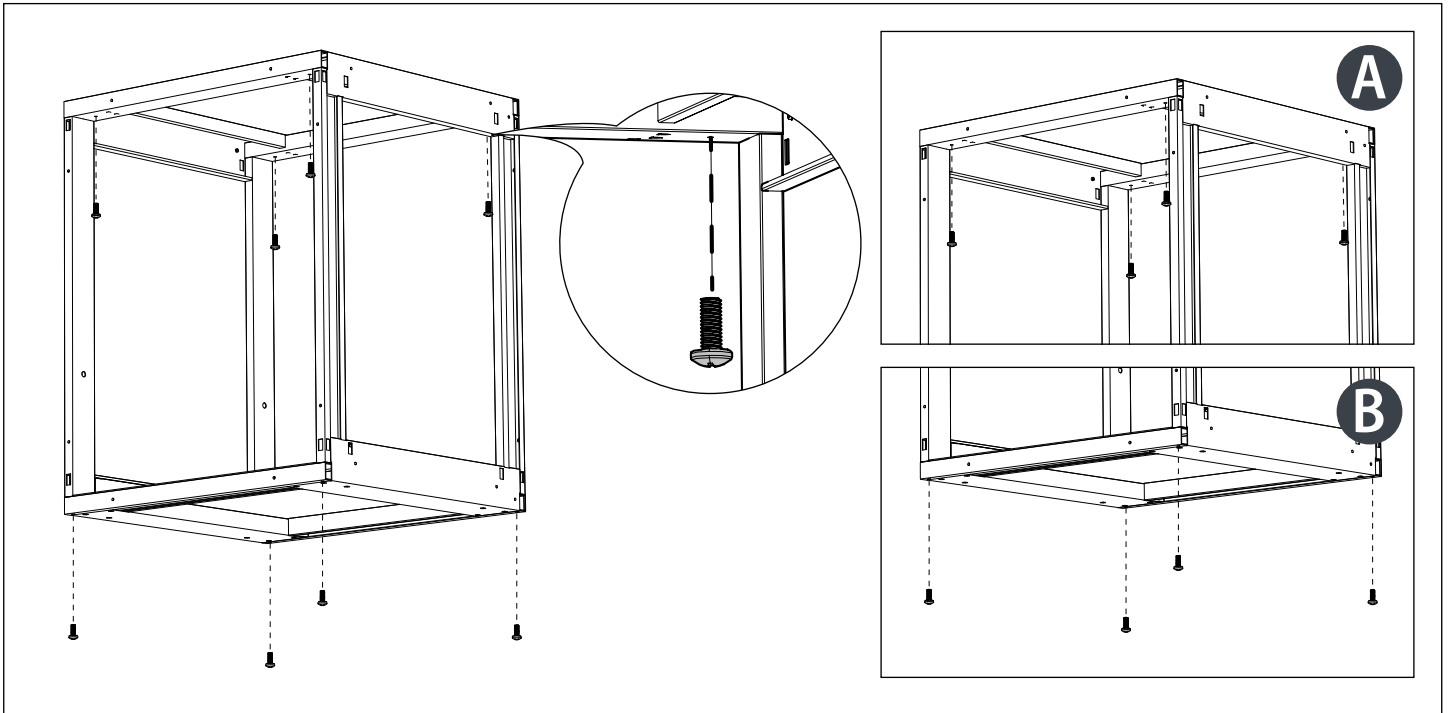


- 6** De la même façon, installez le montant latéral supérieur gauche.

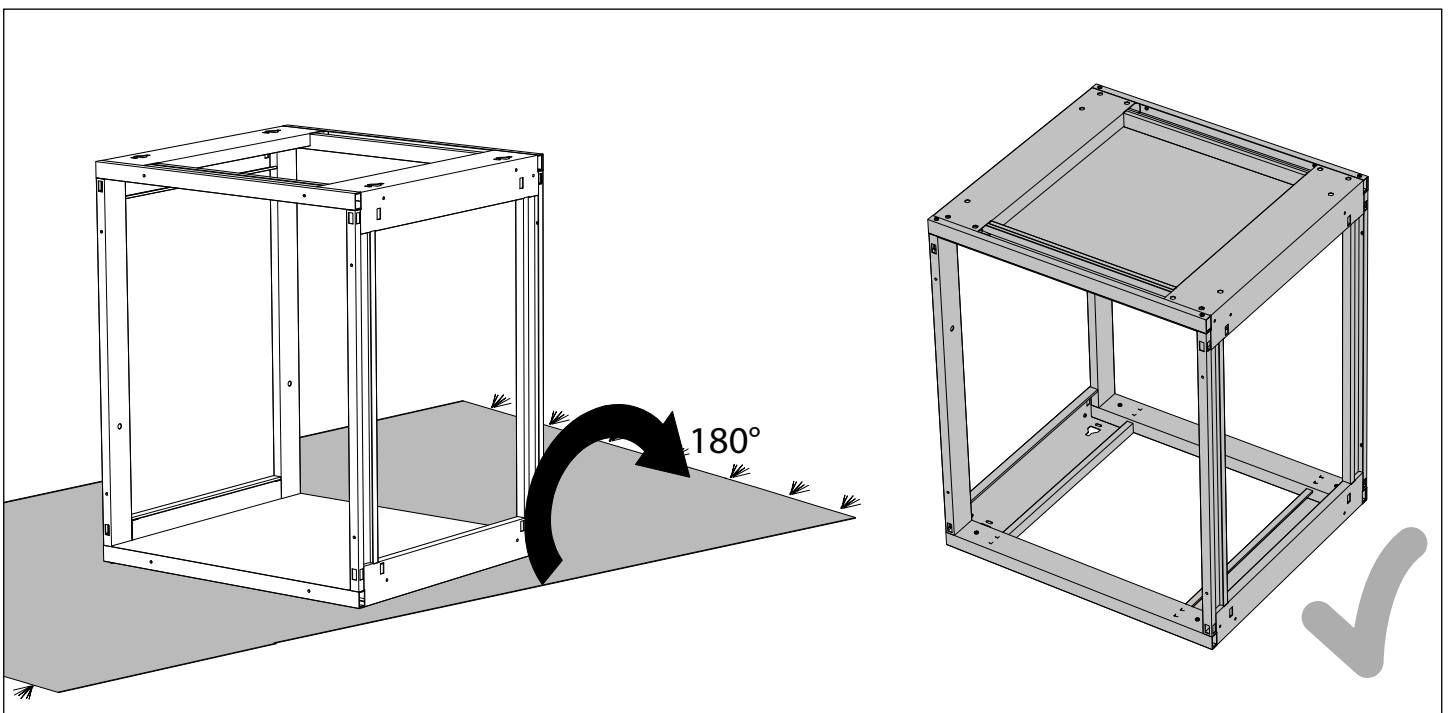


# Assemblage de l'armoire en angle à 90°

**7** Installez 8x vis à tête cylindrique M4.

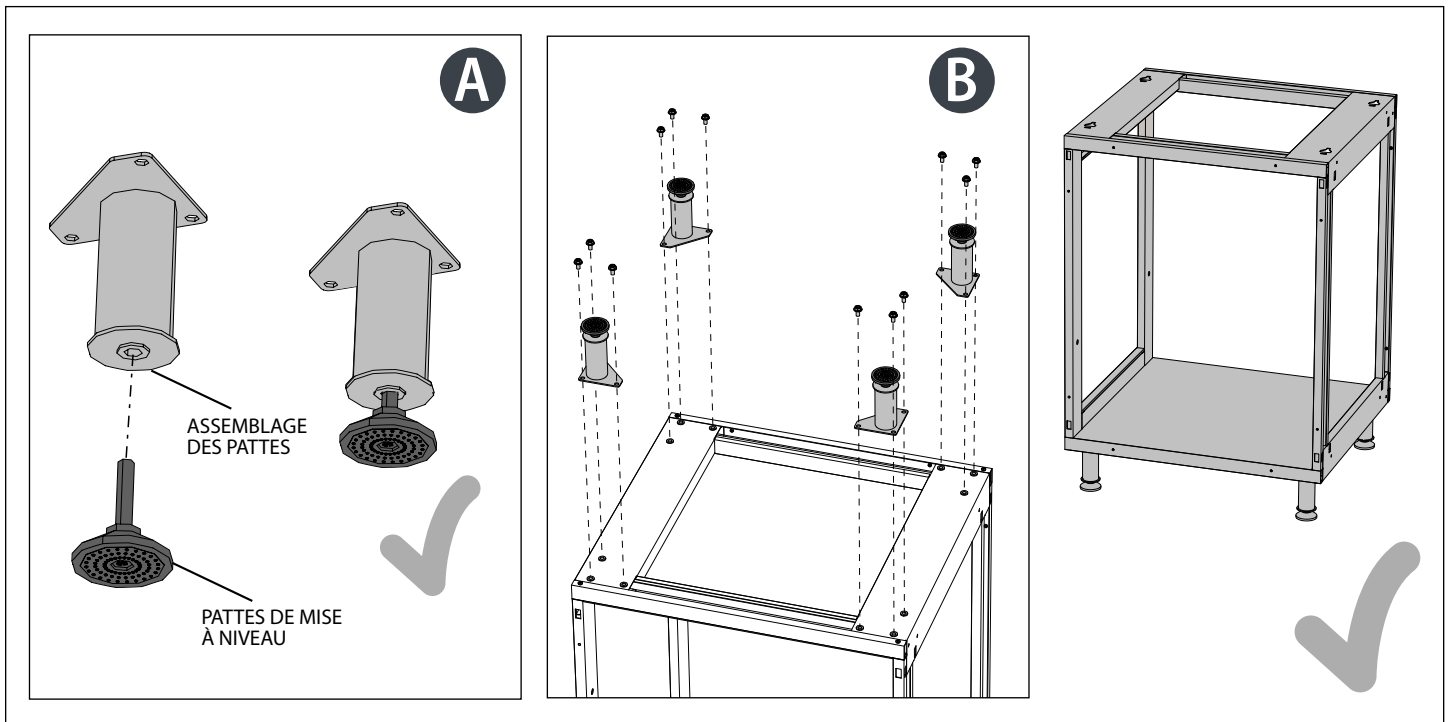


**8** Retournez le cadre de l'armoire à 180° sur une surface sûre et propre.

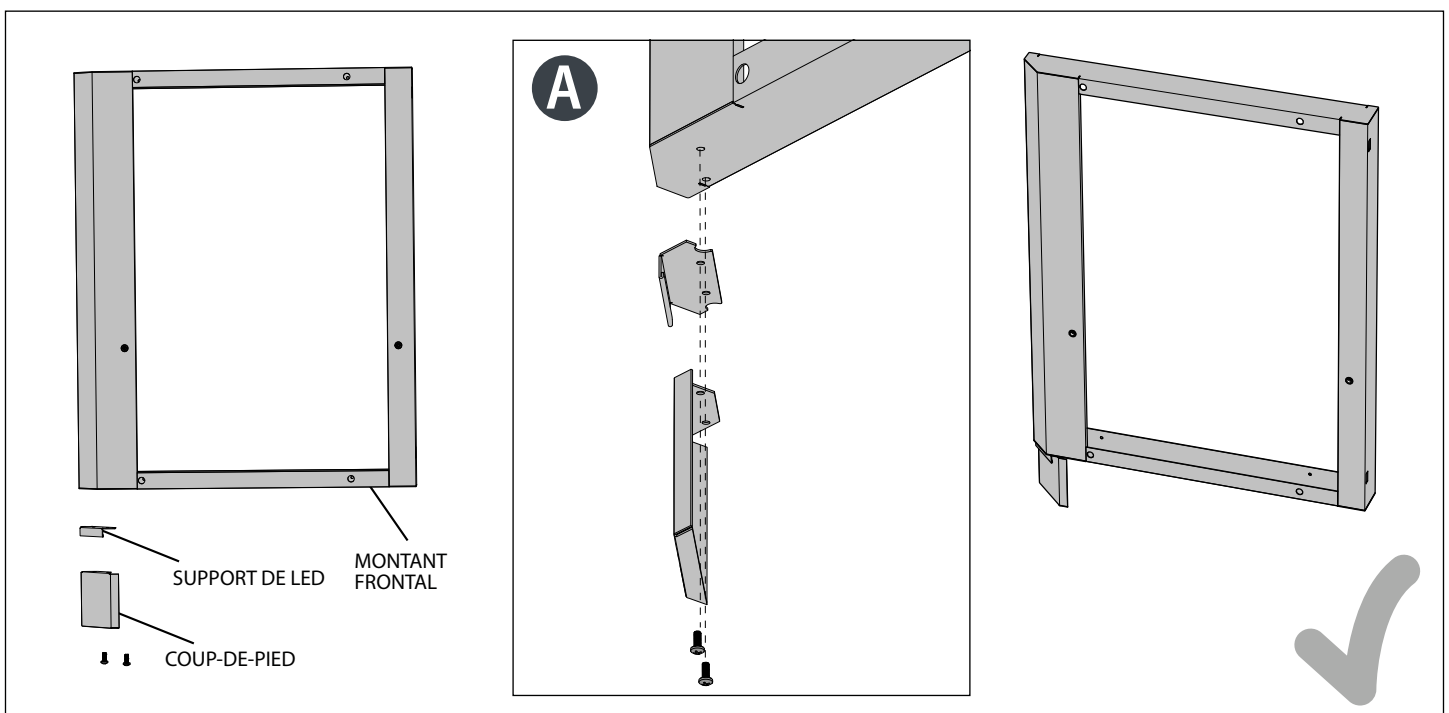


# Assemblage de l'armoire en angle à 90°

- 9 Serrez les 4x pattes de mise à niveau (A) dans les 4x pattes (B). Installez les 4 pattes sur la base des montants sur le cadre à l'aide des 12x vis à tête hexagonale à bride M6.

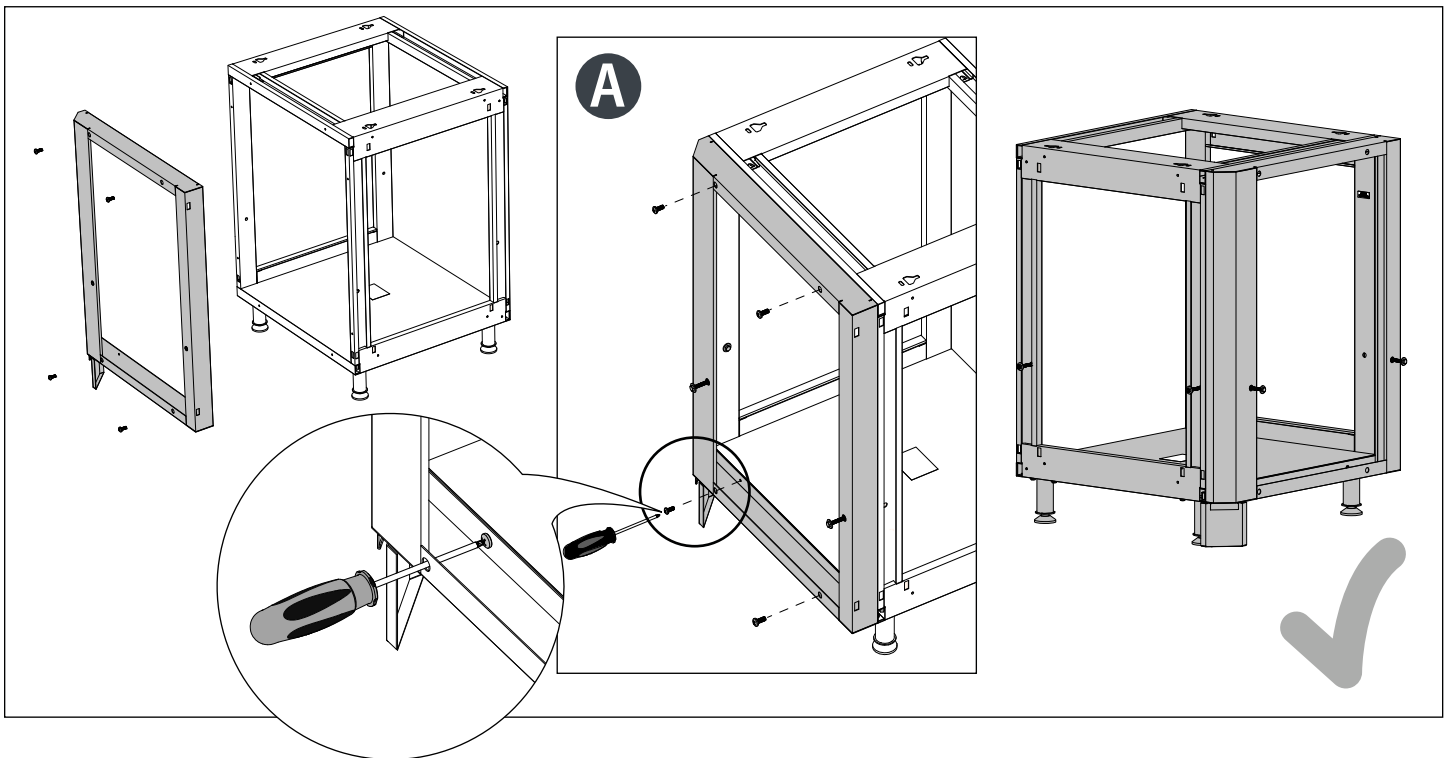


- 10 Installez le coup-de-pied inférieur et le support de DEL au panneau avant avec 2x vis à tête cylindrique (A).

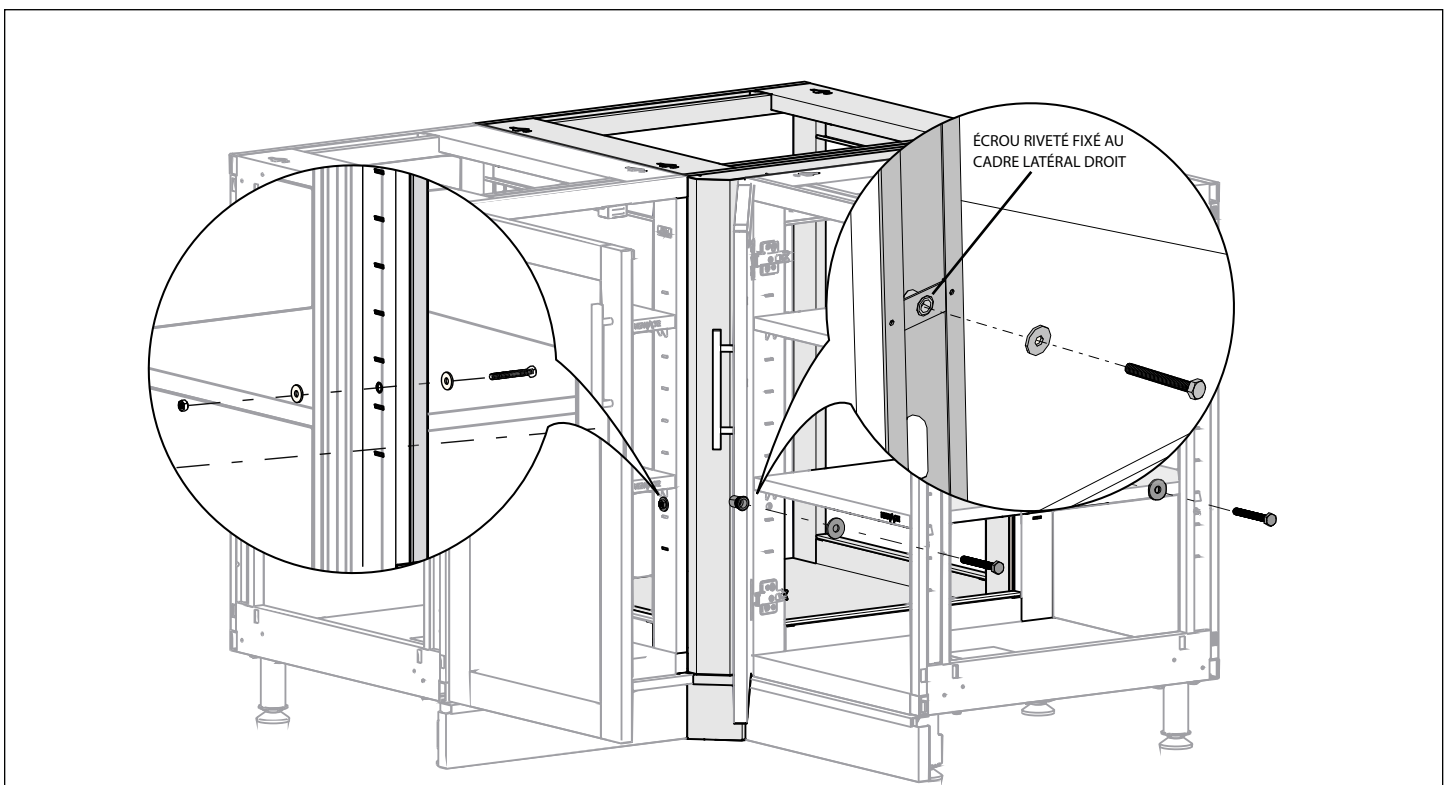


# Assemblage de l'armoire en angle à 90°

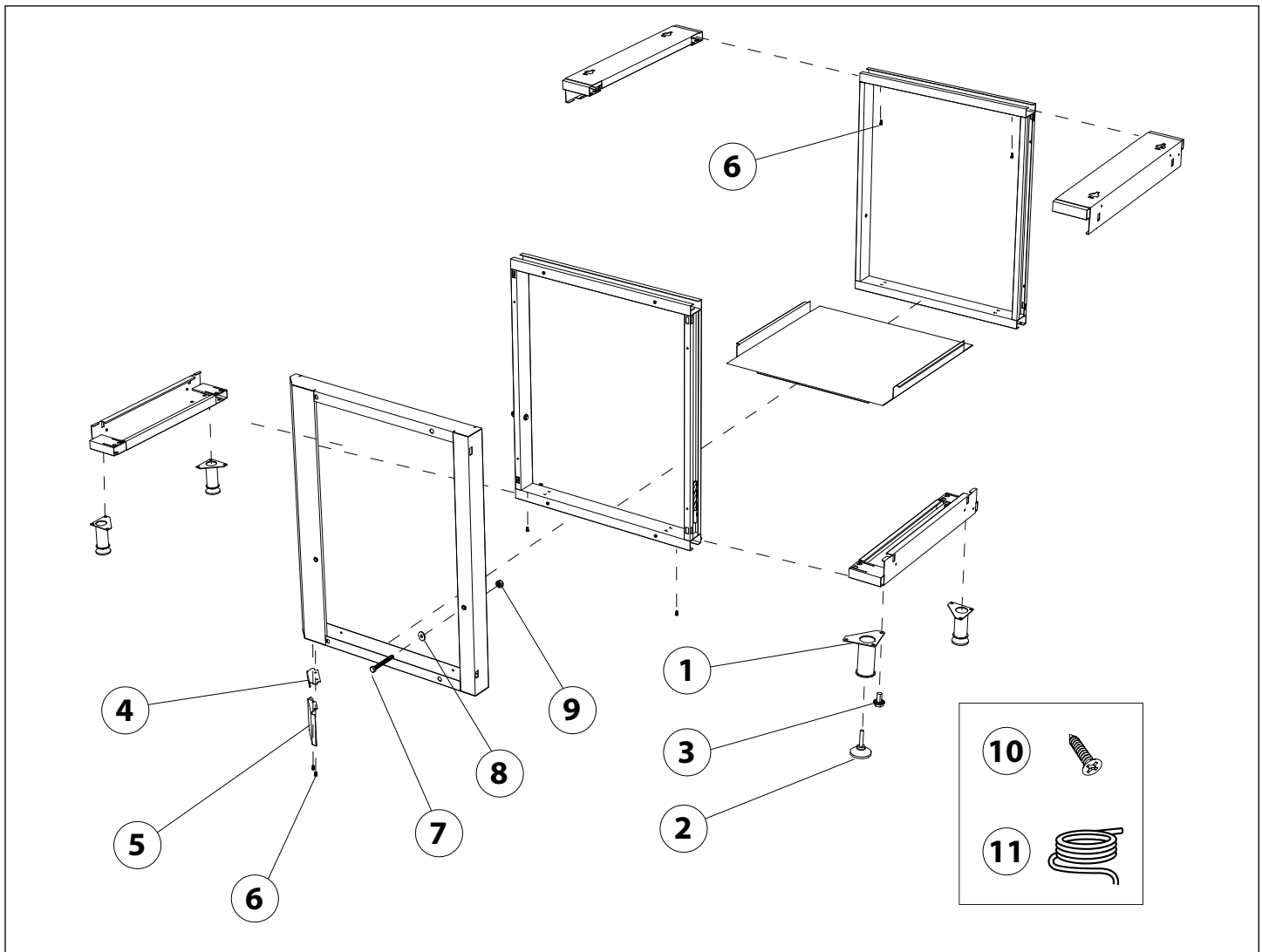
- 11** Installez le panneau avant sur le cadre principal à l'aide de 4x vis à tête cylindrique M4 comme indiqué (A).



- 12** **REMARQUE :** Pour raccorder l'armoire en angle à 90° à d'autres armoires, utilisez la visserie (4x boulons à tête hexagonale M6, 2x écrous hexagonaux M6, 6x rondelles plates M6) fournie. Mettez les armoires à niveau et serrez tous les boulons.



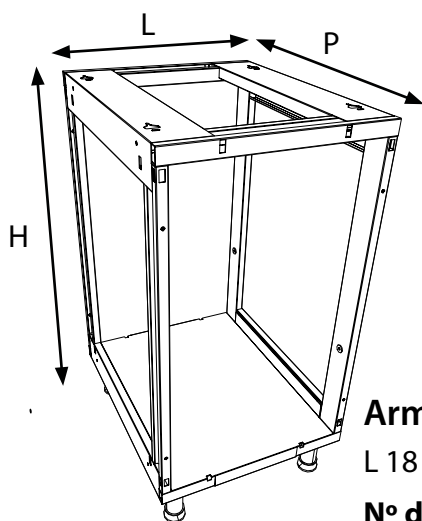
# Pièces de rechange - Armoire en angle à 90°



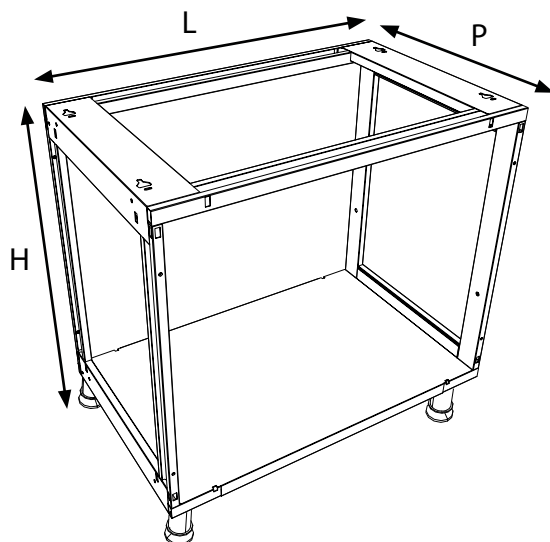
Légende	Numéro technique de pièce	Description	Qté
1	OK2-01.004.01A-01	Patte	1
2	H00196A-01	Pattes de mise à niveau	1
3	H00532A-01	Vis à tête hexagonale à bride M6X12	1
4	OK2-16.002.06A-01	Plaque LED	1
5	OK2-16.002.05A-01	Plaque de coup-de-pied	1
6	H00204A-01	Vis à tête cylindrique large M4X10 mm	1
7	H00198A-01	Boulon à tête hexagonale - M6x50 mm	1
8	H00199A-01	Rondelle plate M6	1
9	H00200A-01	Écrou hexagonal M6	1
10	H00633A-01	Vis à tête plate (#10x1,25 po) - Pour les panneaux en fibrociment	1
11	OK2-10.006A-01	Joint en caoutchouc (pour l'assemblage du comptoir)	1

# Assemblage du faux cadre de 18 et 36 po

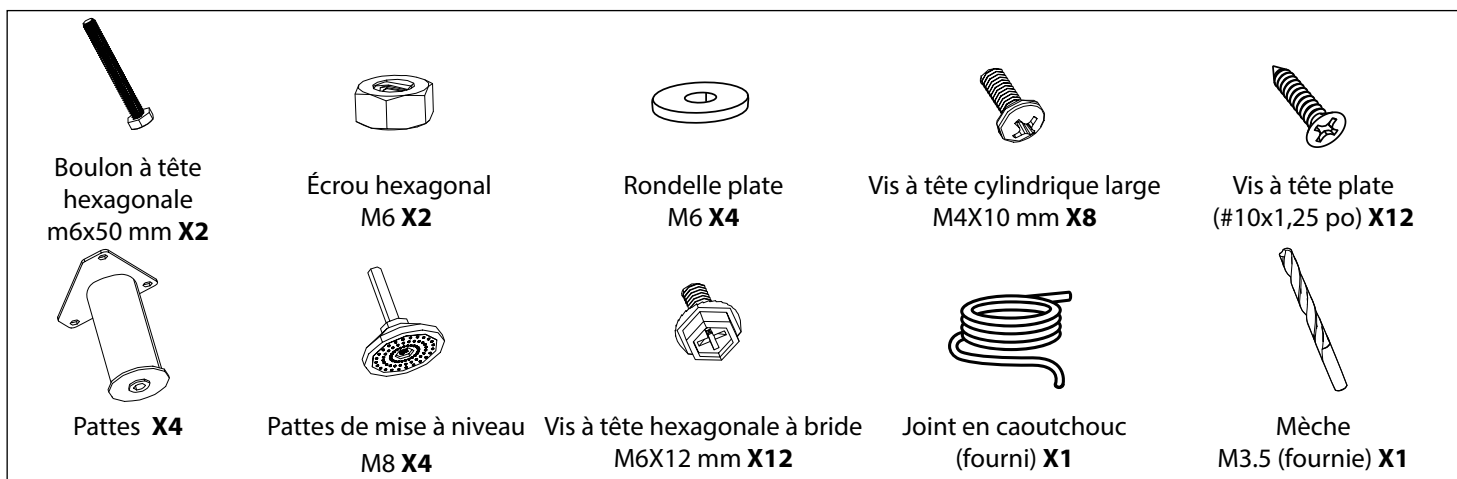
## Spécifications du produit



**Armoire à faux cadre de 18 po**  
L 18 po x P 22,34 po x H 34,77 po  
N° d'UGS 66113



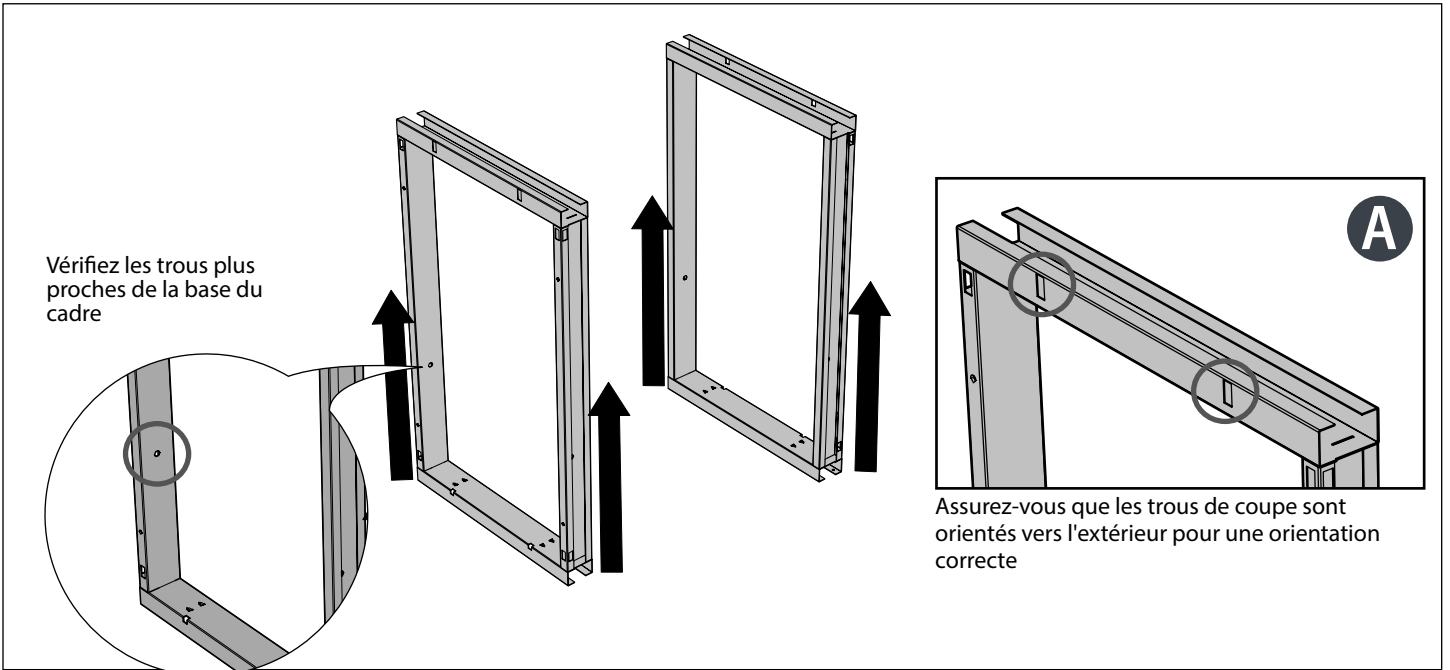
**Armoire à faux cadre de 36 po**  
N° d'UGS 66114



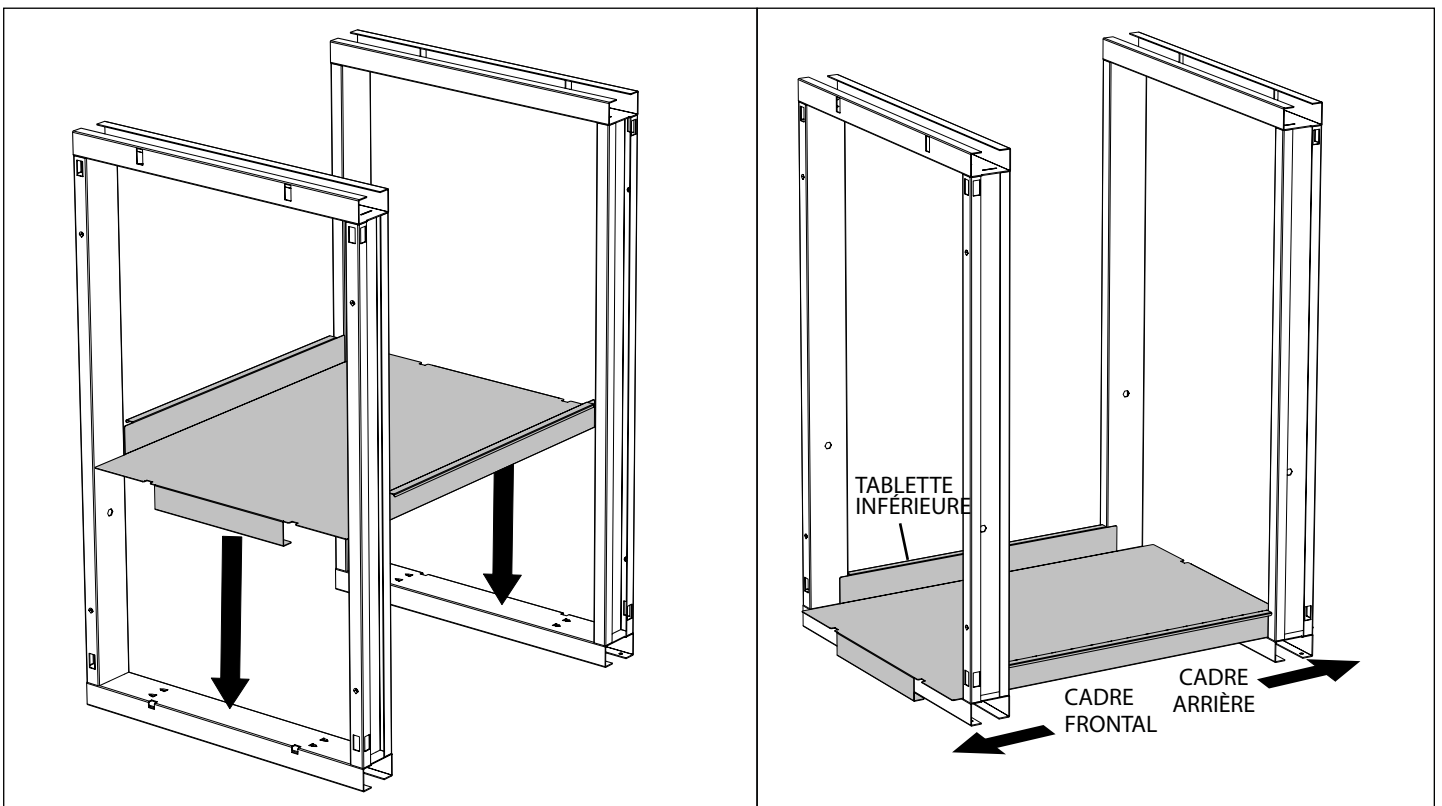
N° de S.	Description	Armoire à faux cadre de 18 po	Armoire à faux cadre de 36 po
1	Boulon à tête hexagonale - M6x50 mm	2	2
2	Écrou hexagonal M6	2	2
3	Rondelle plate M6	4	4
4	Patte	4	4
5	Patte de mise à niveau M8	4	4
6	Vis à tête hexagonale à bride M6X12 mm	12	12
7	Vis à tête cylindrique large M4X10 mm	8	8
8	Mèche M3.5 (pour le montage des panneaux en fibrociment sur les armoires)	1	1
9	Joint en caoutchouc (pour l'assemblage du comptoir)	1	1
10	Vis à tête plate (#10x1,25 po) (Pour le montage des panneaux en fibrociment sur les armoires)	12	12



- 1** Placez les deux cadres soudés à la verticale. Veillez à l'orientation du cadre frontal comme indiqué (A).

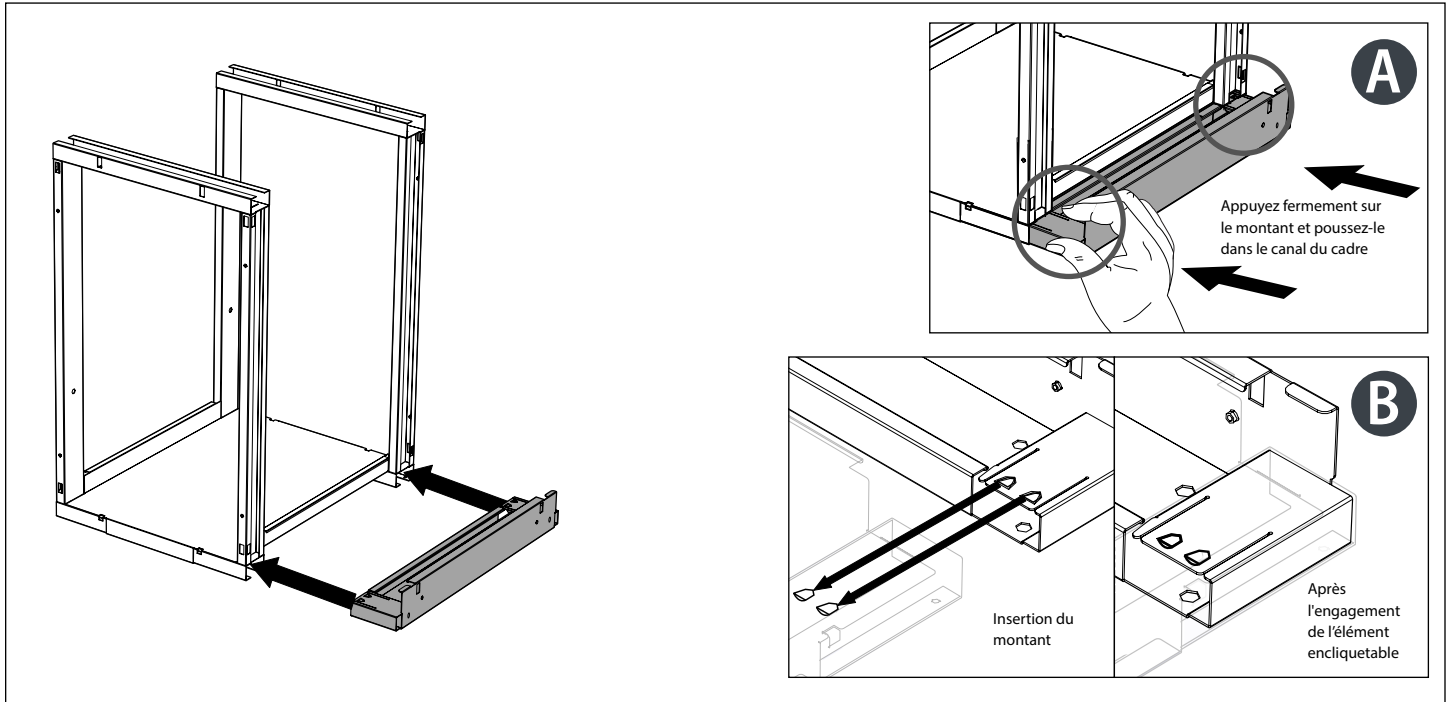


- 2** Tout en tenant les cadres, placez la tablette inférieure sur les montants de base des deux cadres. Poussez les cadres soudés vers l'extérieur pour qu'ils s'adaptent parfaitement à l'étagère inférieure.

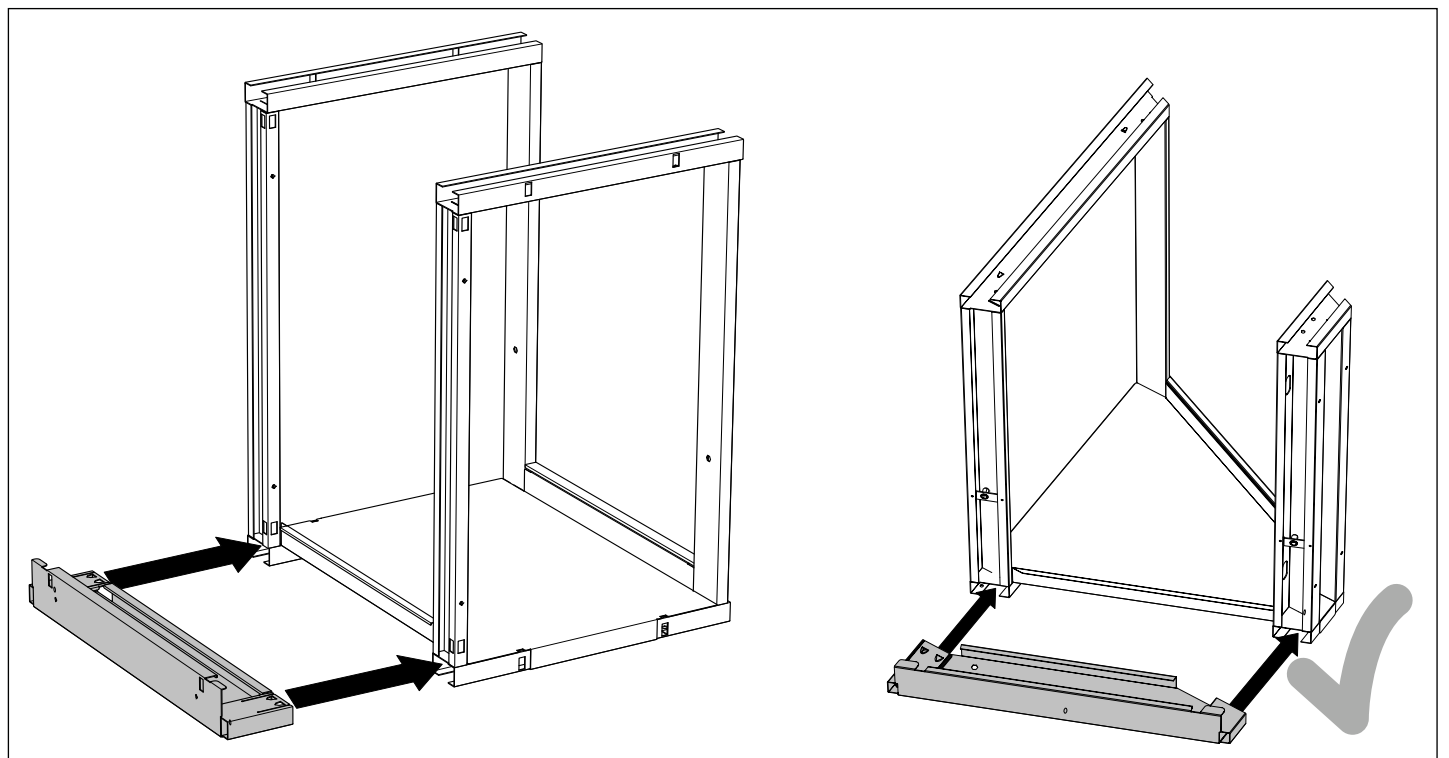


# Assemblage du faux cadre de 18 et 36 po

- 3** Faites glisser le montant latéral inférieur droit dans les canaux ouverts des cadres. Pour s'assurer que l'ajustement est adéquat, placez vos doigts sur le montant comme indiqué (A) et poussez-le vers le canal jusqu'à ce que l'élément encliquetable s'engage complètement comme indiqué (B).

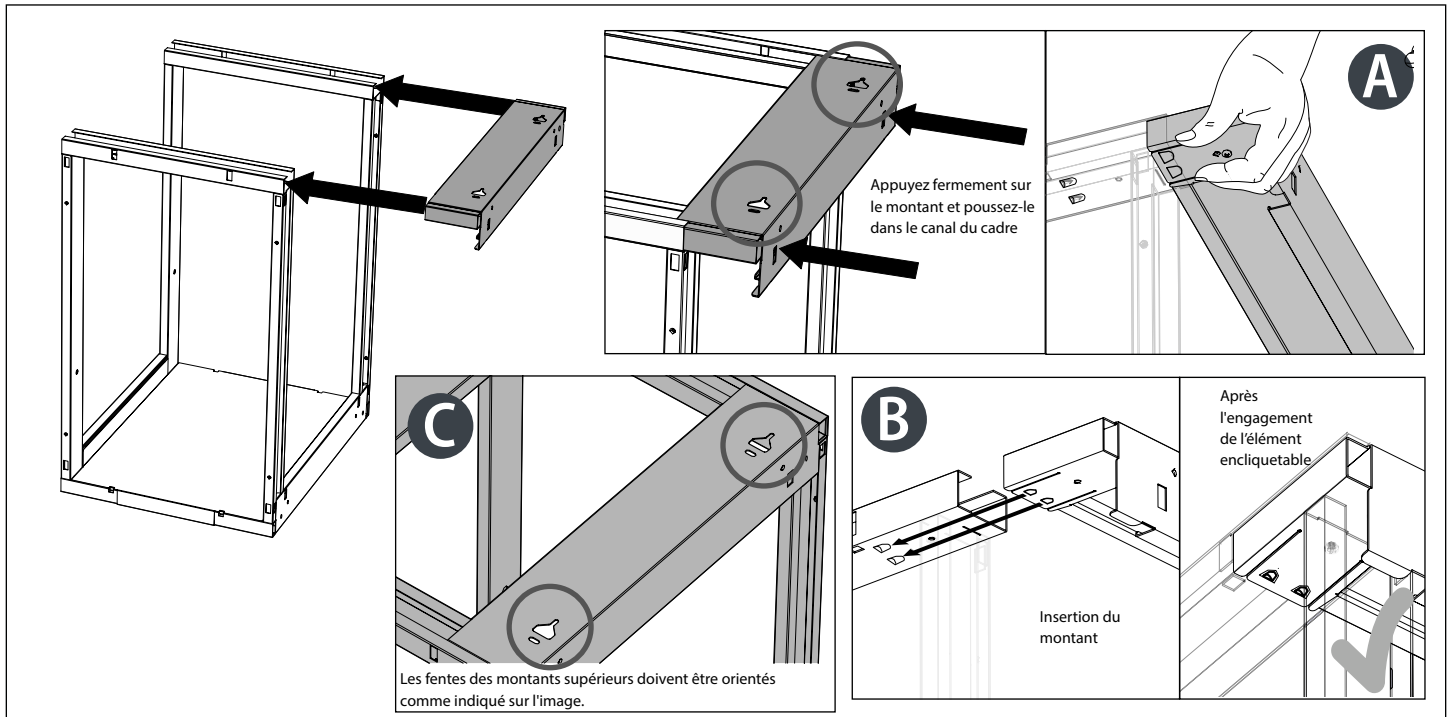


- 4** De la même façon, installez le montant latéral inférieur gauche.

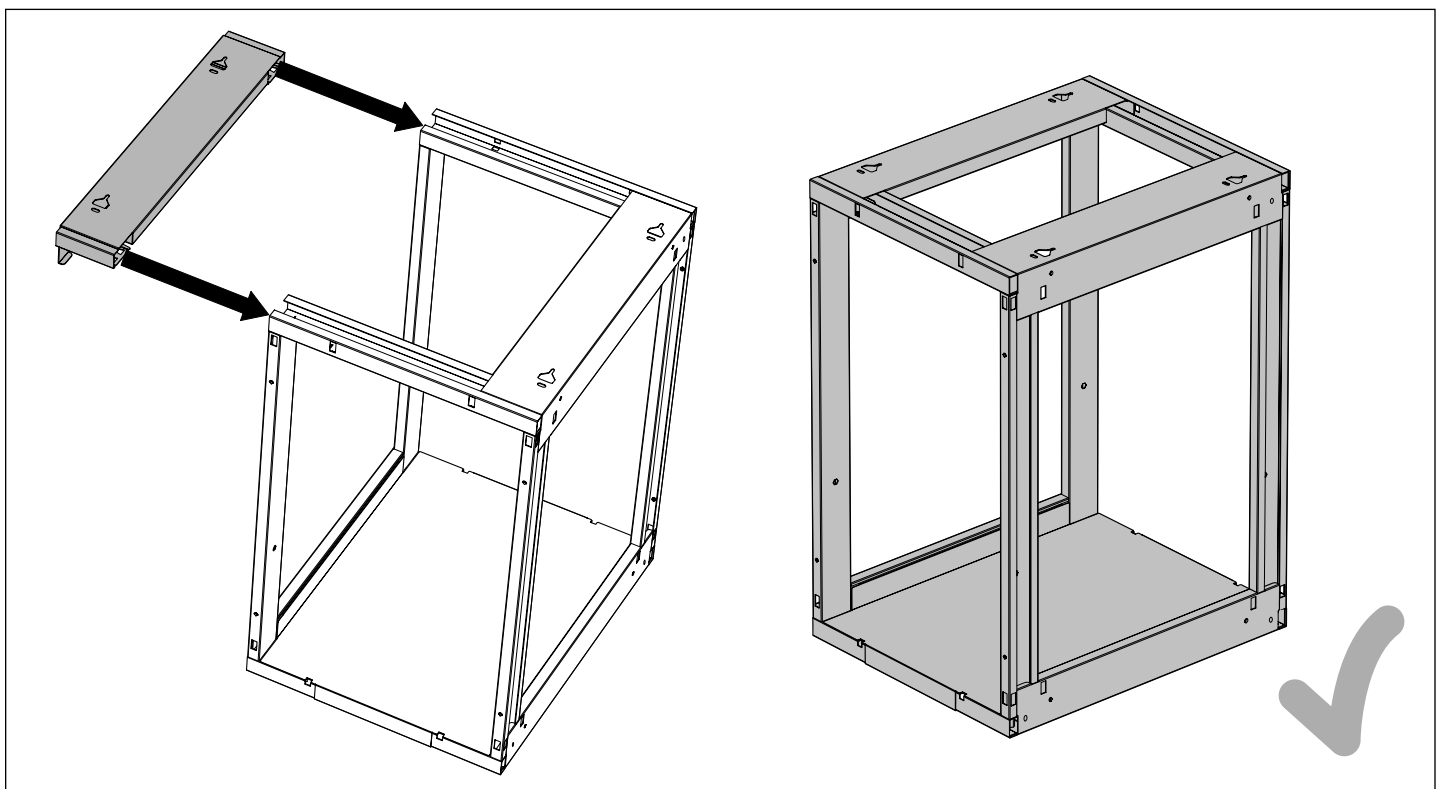


# Assemblage du faux cadre de 18 et 36 po

- 5** Faites glisser le montant latéral supérieur droit dans les canaux ouverts des cadres. Pour s'assurer que l'ajustement est adéquat, placez vos doigts sur le montant comme indiqué (A) et poussez-le vers le canal jusqu'à ce que l'élément encliquetable s'engage complètement comme indiqué (B). Pour une orientation adéquate, consultez (C).

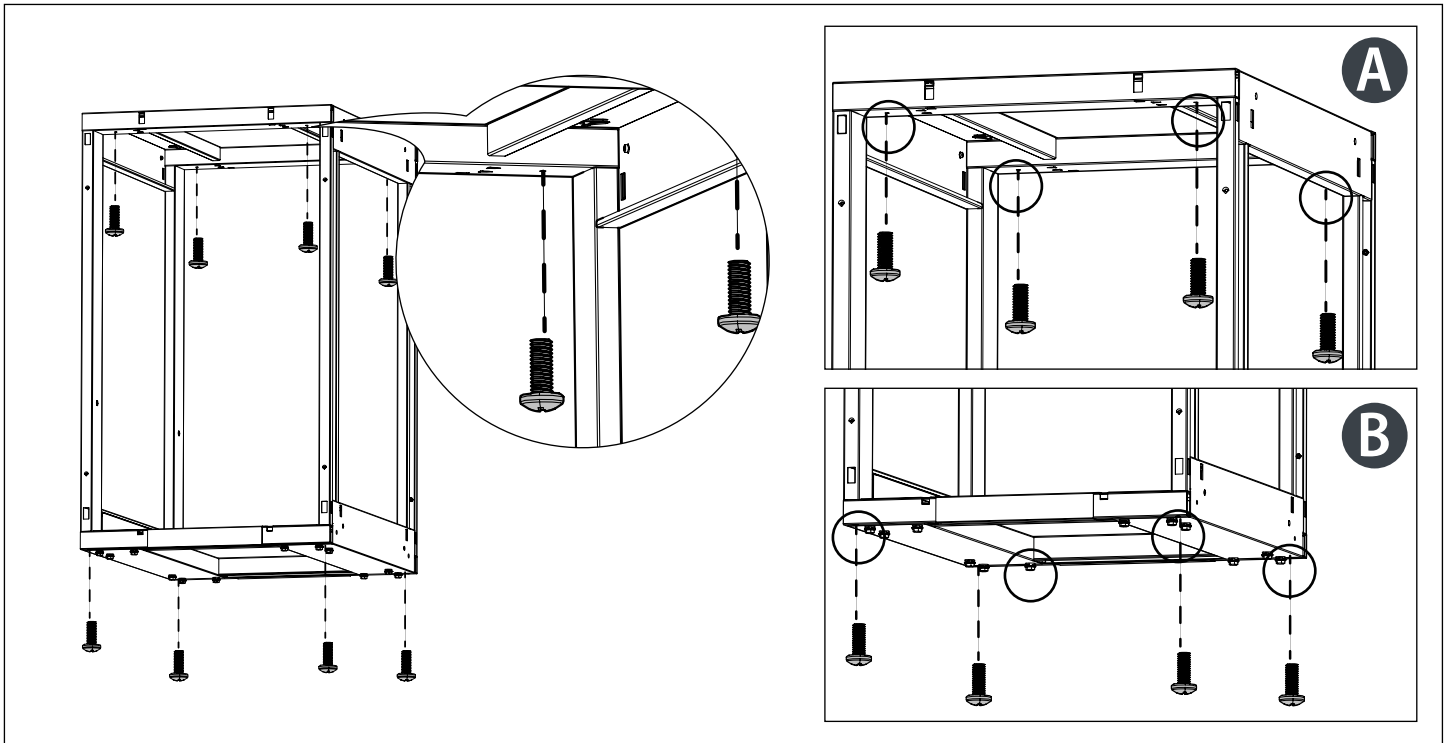


- 6** De la même façon, installez le montant latéral supérieur gauche.

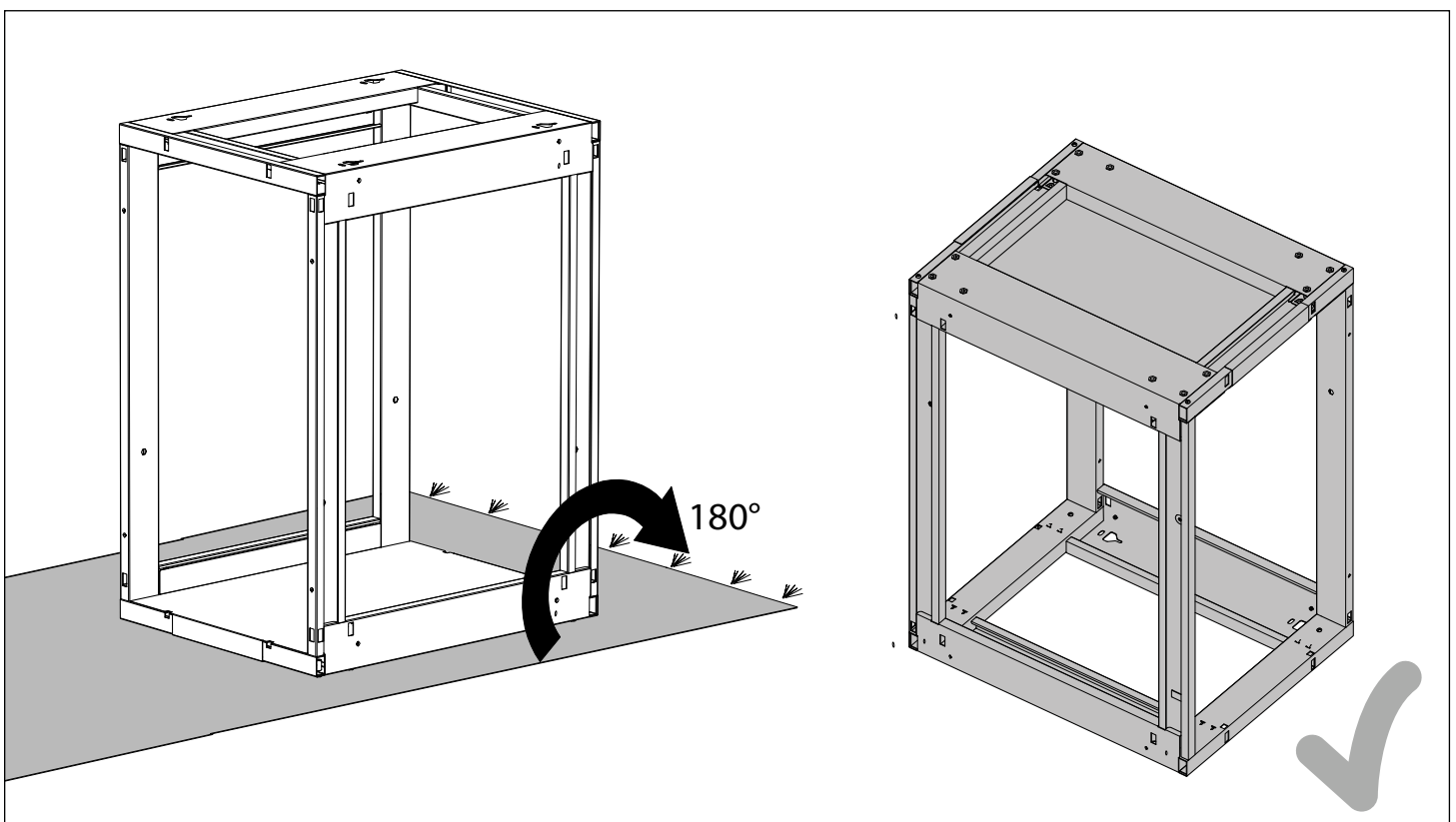


# Assemblage du faux cadre de 18 et 36 po

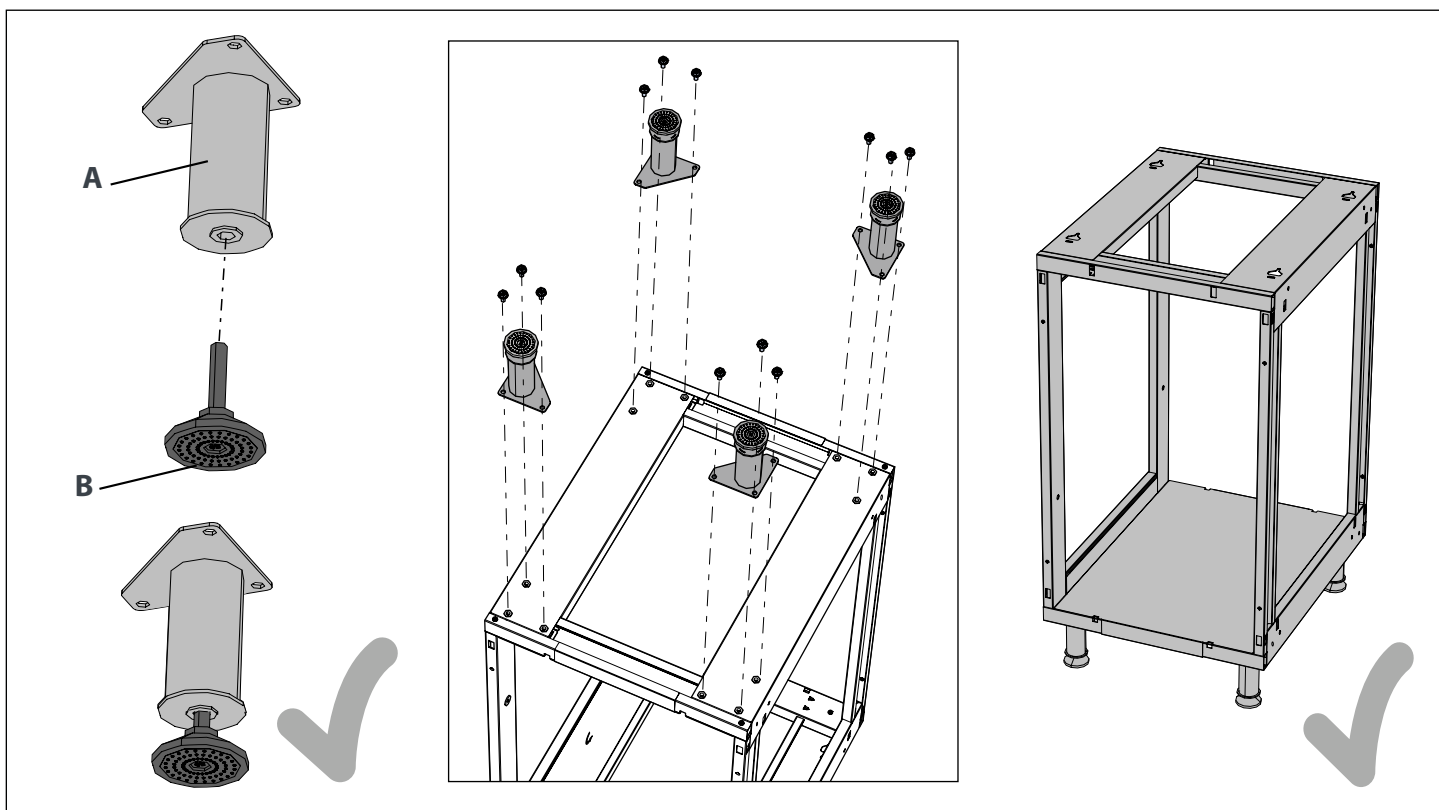
**7** Installez 8x vis à tête cylindrique M4.



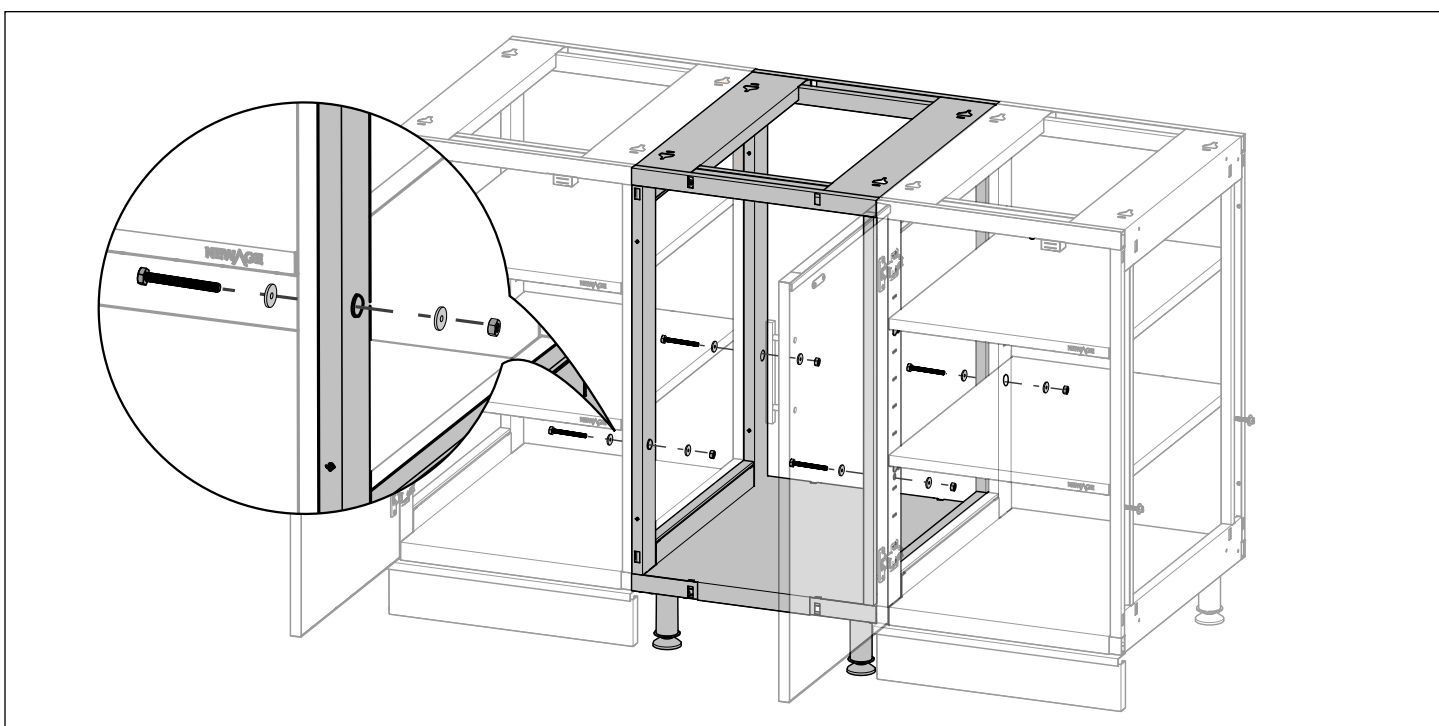
**8** Retournez le cadre de l'armoire à 180° sur une surface sûre et propre.



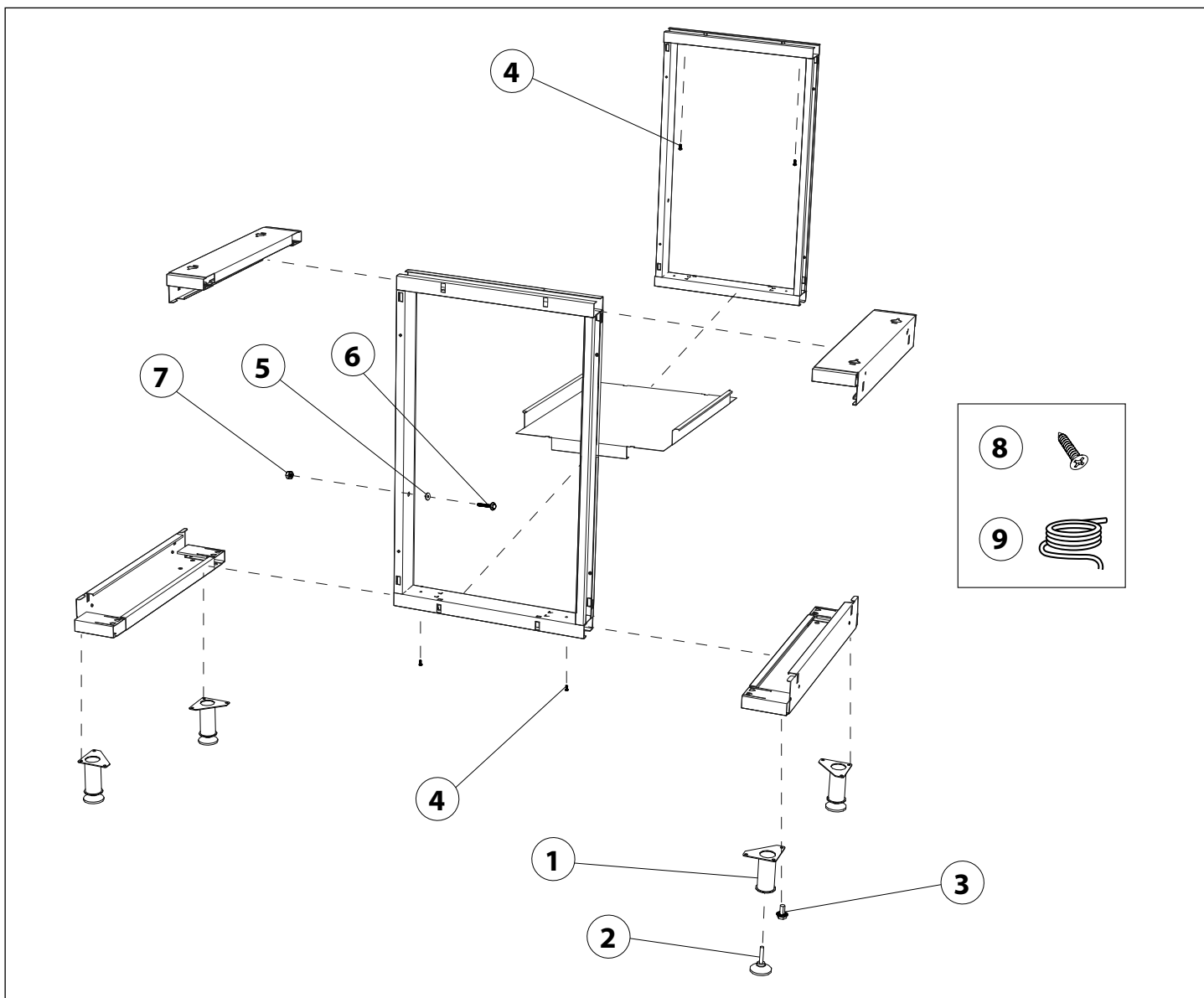
- 9** Serrez les 4x pattes de mise à niveau (A) dans les 4x pattes (B). Installez les 4 pattes sur la base des montants sur le cadre à l'aide des 12x vis à tête hexagonale à bride M6.



- 10** **REMARQUE :** Pour fixer les armoires à faux cadre, utilisez la visserie (2x boulons à tête hexagonale M6, 2x écrous hexagonaux M6, 4x rondelles plates M6) fournie. Mettez les armoires à niveau et serrez tous les boulons.

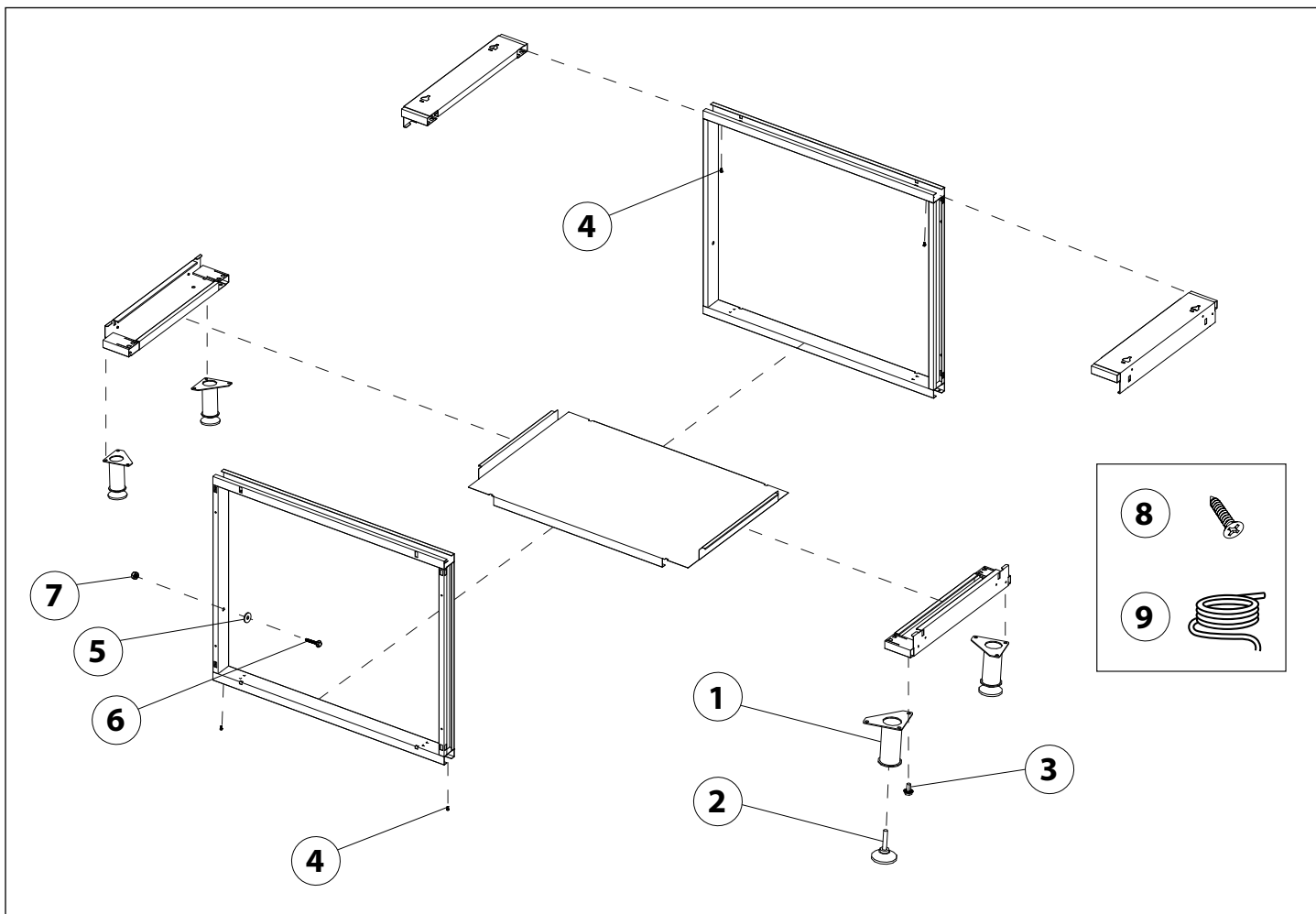


# Pièces de rechange - Armoire à faux cadre de 18 po



Armoire à faux cadre de 18 po			
Légende	Numéro technique de pièce	Description	Qté
1	OK2-01.004.01A-01	Patte	1
2	H00196A-01	Patte de mise à niveau M8	1
3	H00532A-01	Vis à tête hexagonale à bride M6X12 mm	1
4	H00204A-01	Vis à tête cylindrique large M4X10 mm	1
5	H00199A-01	Rondelle plate M6	1
6	H00198A-01	Boulon à tête hexagonale - M6x50L	1
7	H00200A-01	Écrou hexagonal M6	1
8	H00633A-01	Vis à tête plate (#10x1,25 po) - Pour les panneaux en fibrociment	1
9	OK2-10.006A-01	Joint en caoutchouc - pour comptoir	1

# Pièces de rechange - Armoire à faux cadres de 36 po



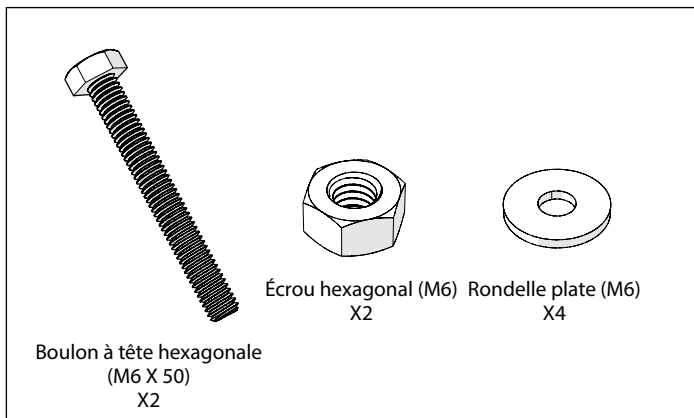
Armoire à faux cadre de 36 po			
Légende	Numéro technique de pièce	Description	Qté
1	OK2-01.004.01A-01	Patte	1
2	H00196A-01	Patte de mise à niveau M8	1
3	H00532A-01	Vis à tête hexagonale à bride M6X12	1
4	H00204A-01	Vis à tête cylindrique large M4X10 mm	1
5	H00199A-01	Rondelle plate M6	1
6	H00198A-01	Boulon à tête hexagonale - M6x50L	1
7	H00200A-01	Écrou hexagonal M6	1
8	H00633A-01	Vis à tête plate (#10x1,25 po) - Pour les panneaux en fibrociment	1
9	OK2-10.006A-01	Joint en caoutchouc - pour comptoir	1

# **CRÉER LES ENSEMBLES D'ARMOIRES**

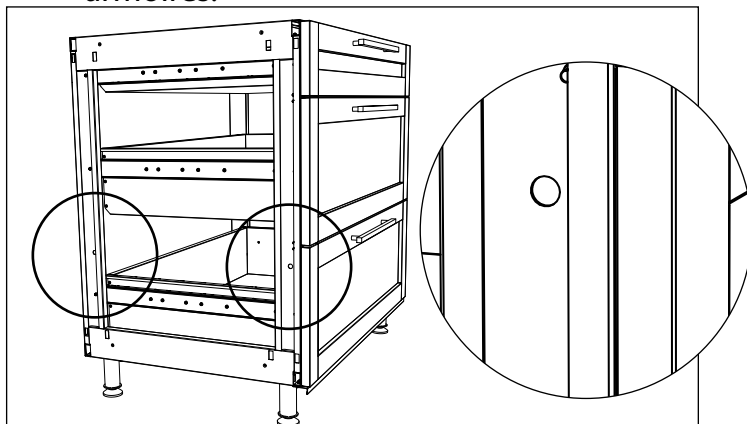


# Fixation des armoires

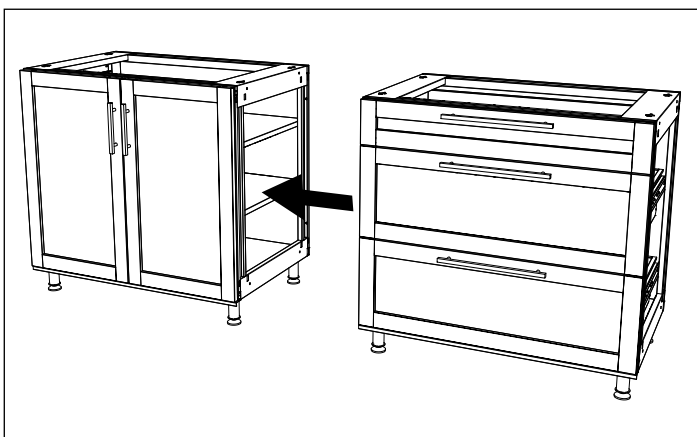
**i** Pièces requises.



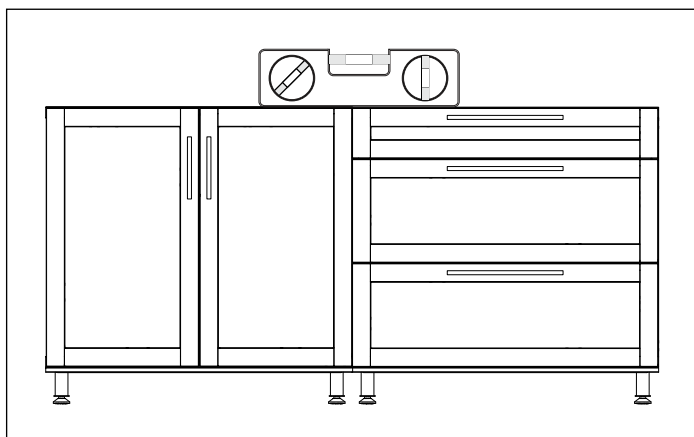
**1** Identifiez les deux trous pré-perçés sur les montants verticaux avant et arrière des armoires.



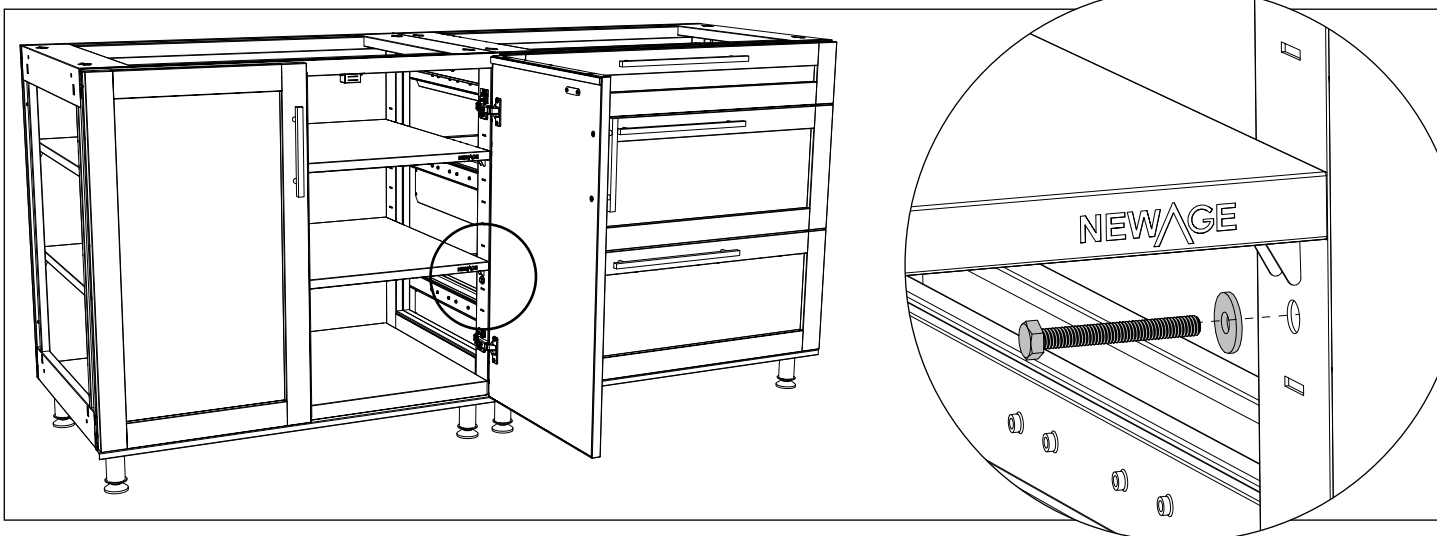
**2** Rapprochez les armoires côte à côte.



**3** Mettez les armoires à niveau. Ajustez les pattes si nécessaire.



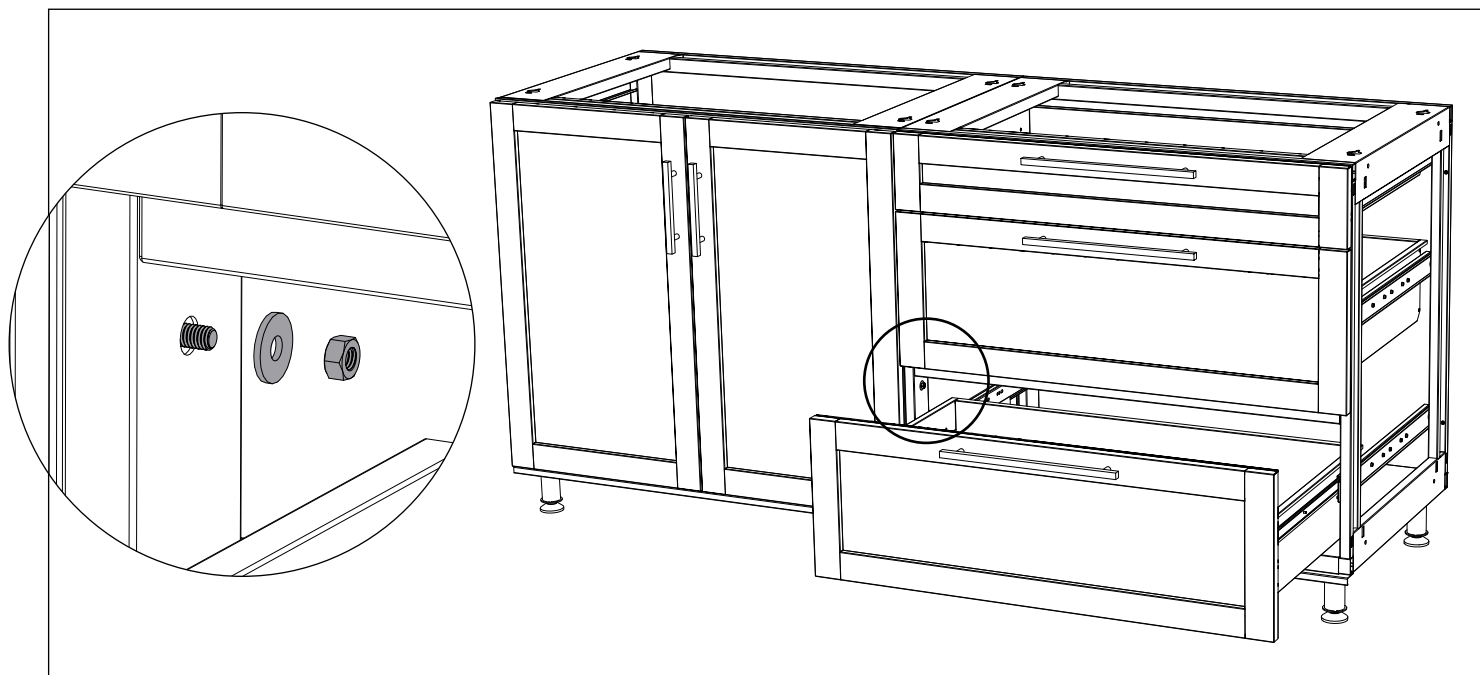
**4** Ouvrez la porte/le tiroir d'une armoire, identifiez les trous alignés et insérez le boulon à tête hexagonale M6x50 mm et la rondelle plate M6.



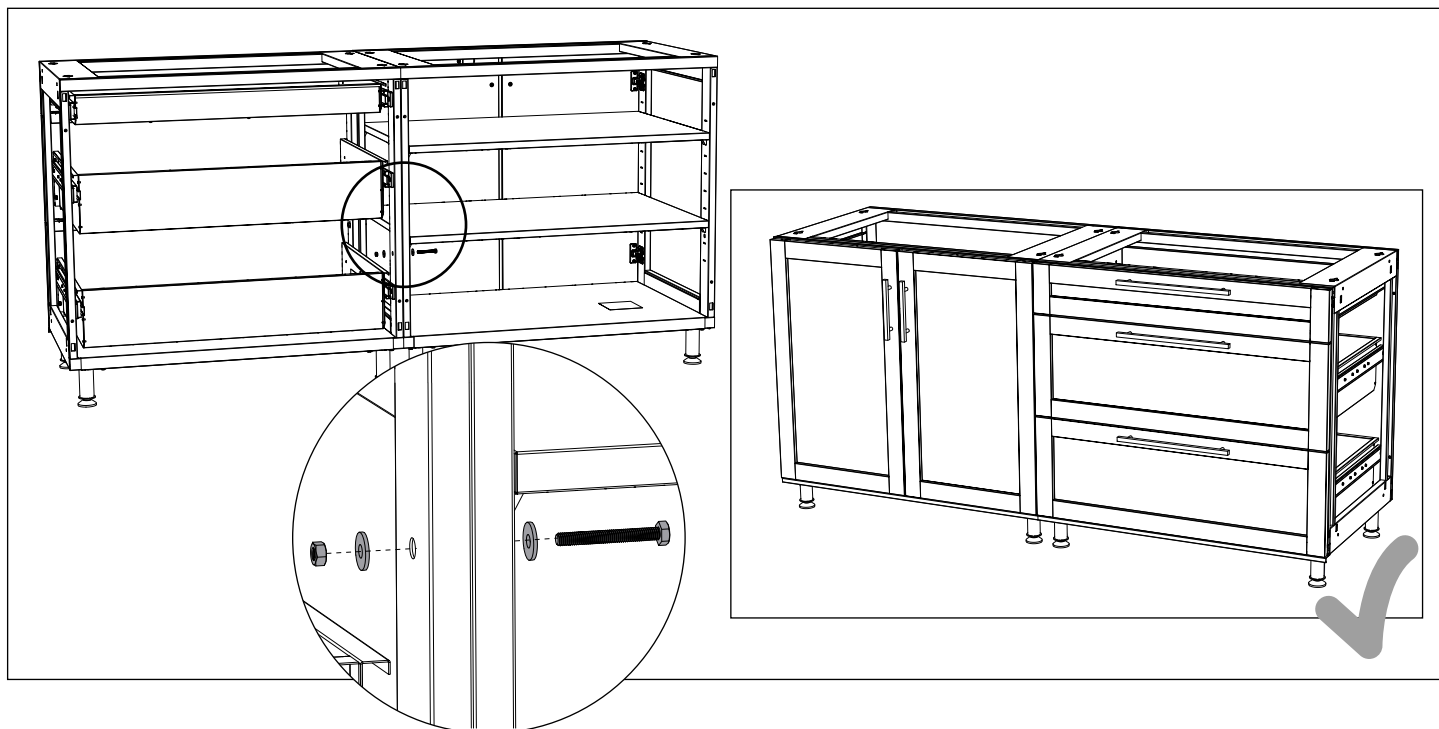
**i** **REMARQUE :** Pour assembler les armoires, les tiroirs peuvent être retirés afin de faciliter l'accès aux boulons et écrous d'assemblage.

# Fixation des armoires

- 5** Ouvrez la porte/le tiroir de l'armoire adjacente, insérez une rondelle plate M6 et serrez l'écrou hexagonal M6.

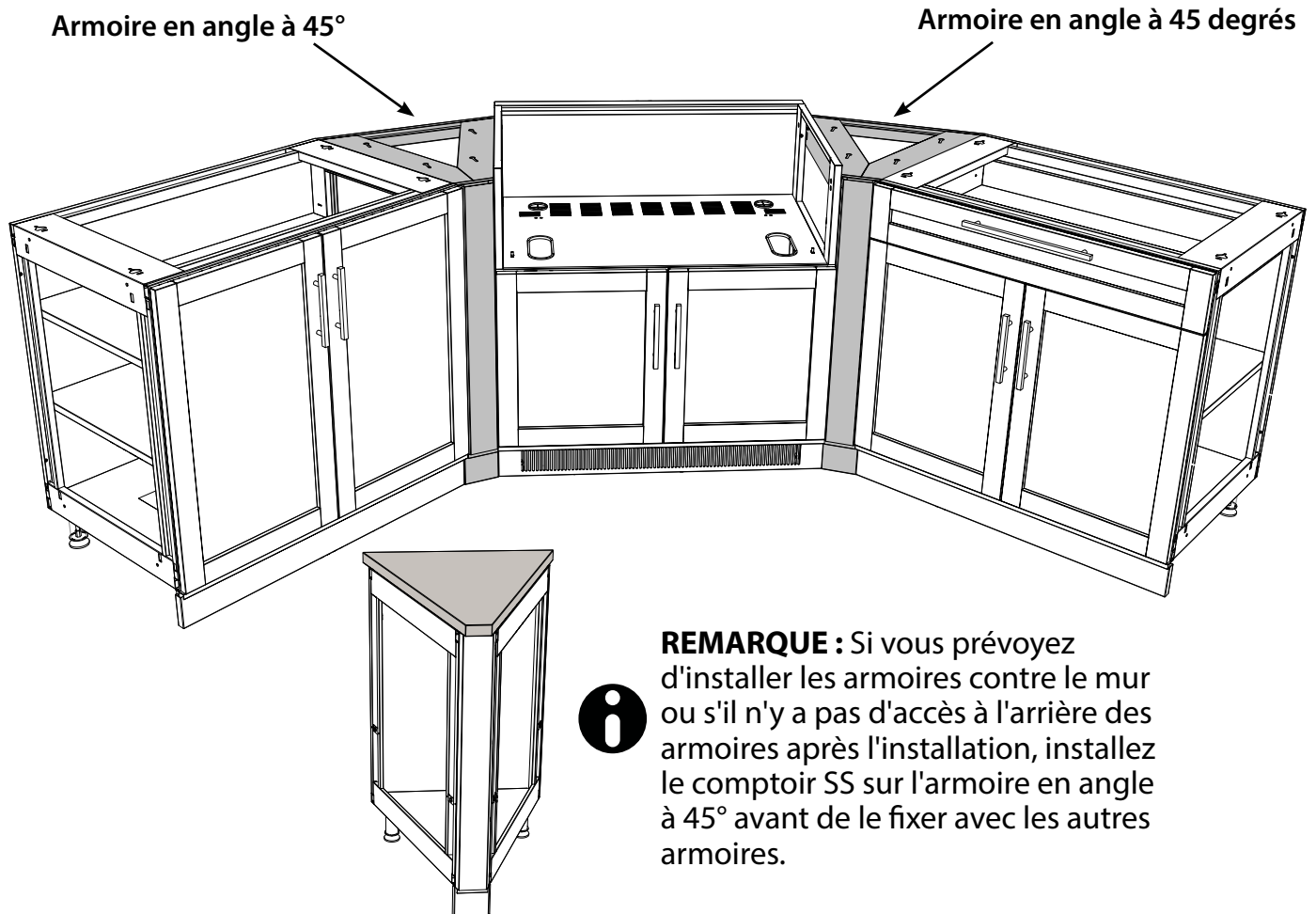


- 6** De même, identifiez le trou sur le montant vertical arrière des armoires. Insérez la vis M6x50 mm, une rondelle plate M6 de chaque côté et serrez l'écrou hexagonal M6.



**Remarque :** Si vous n'avez pas accès aux trous arrière, retirez les tiroirs pour y accéder.

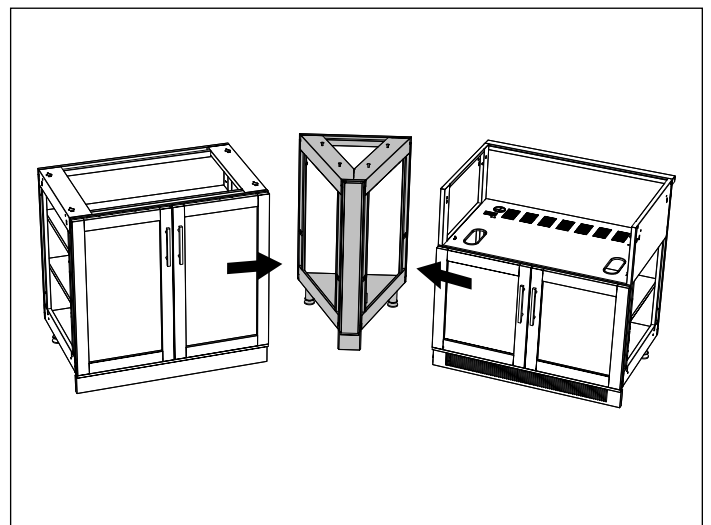
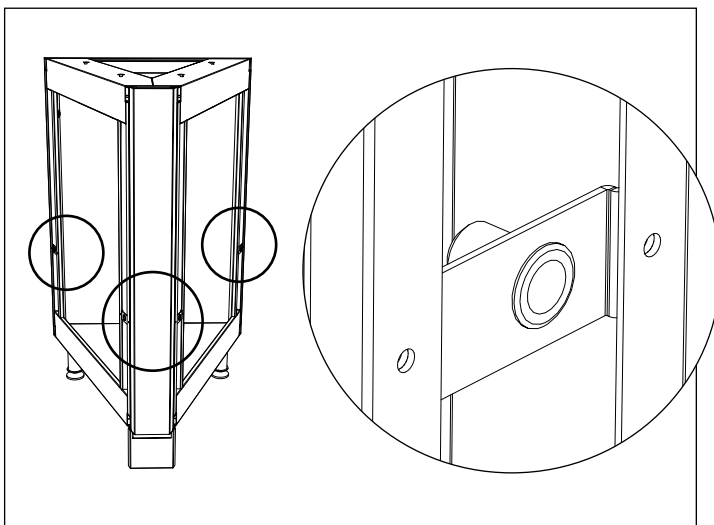
# Création d'un angle à 45°



**1** Identifiez les trous sur les montants verticaux de l'armoire d'angle.

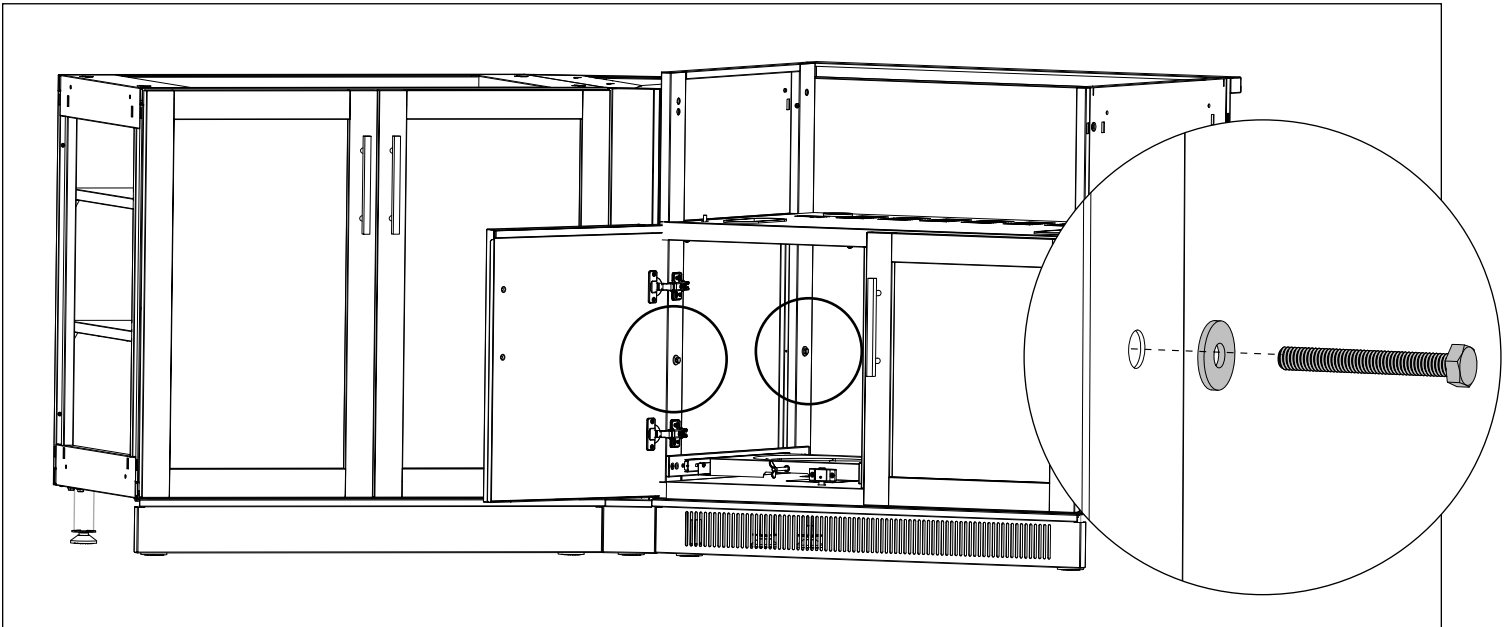
**i** **REMARQUE :** étant donné que l'armoire d'angle à 45° comporte des écrous encastrés, il n'est pas nécessaire d'utiliser des écrous ordinaires sur les boulons.

**2** Fixez les armoires ensemble.

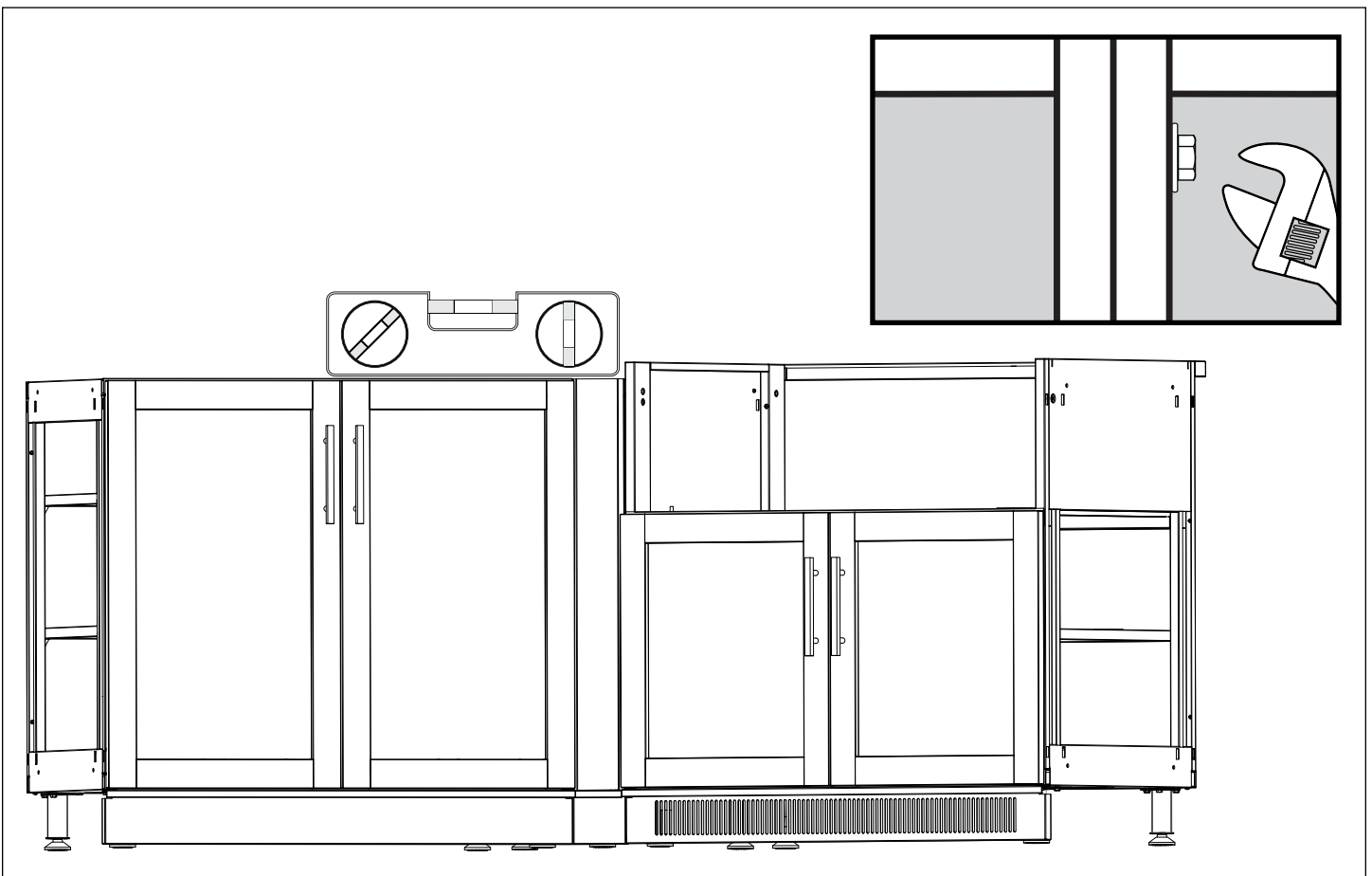


# Création d'un angle à 45°

- 3** Installez sans le serrer le boulon à tête hexagonale M6x50 mm et la rondelle plate M6 dans tous les trous des poteaux verticaux. Ouvrez les portes des deux armoires pour accéder aux trous.

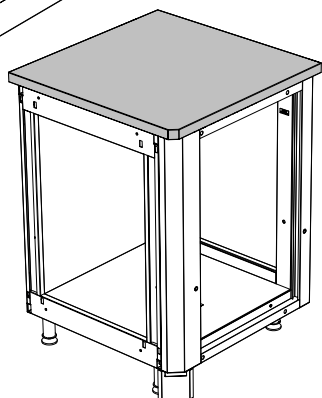
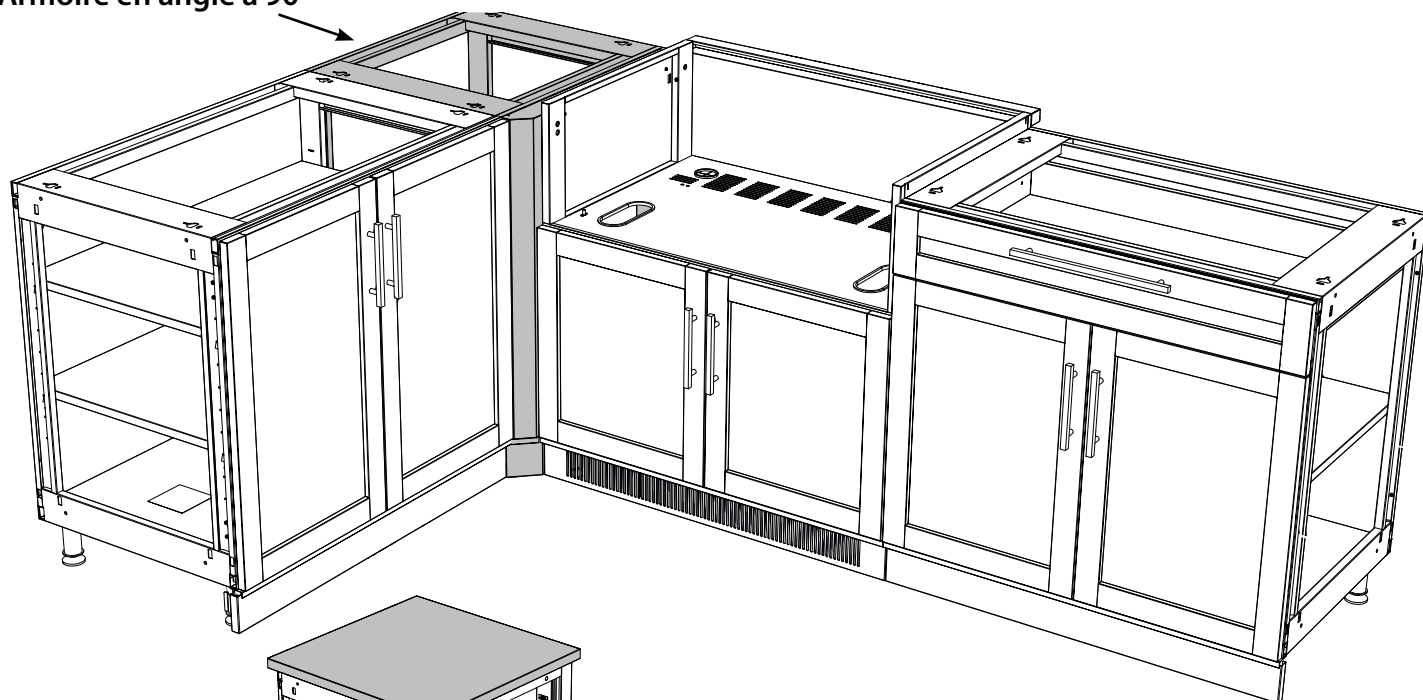


- 4** Mettez les armoires à niveau et serrez tous les boulons.



# Création d'un angle à 90°

Armoire en angle à 90°

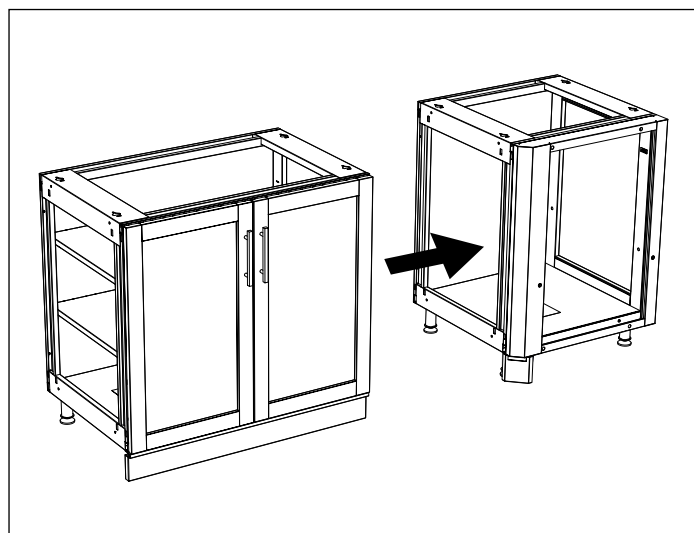
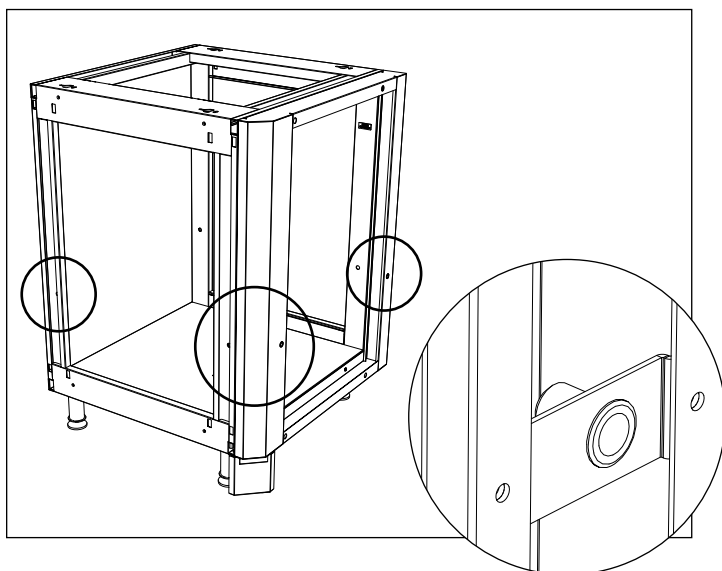


**REMARQUE :** Si vous prévoyez de placer les armoires contre le mur ou s'il n'y a pas d'accès à l'arrière des armoires après l'installation, installez un comptoir en acier inoxydable sur l'armoire en angle à 90° avant de procéder à l'installation avec les autres armoires.

**1** Identifiez les trous sur les montants verticaux de l'armoire d'angle.

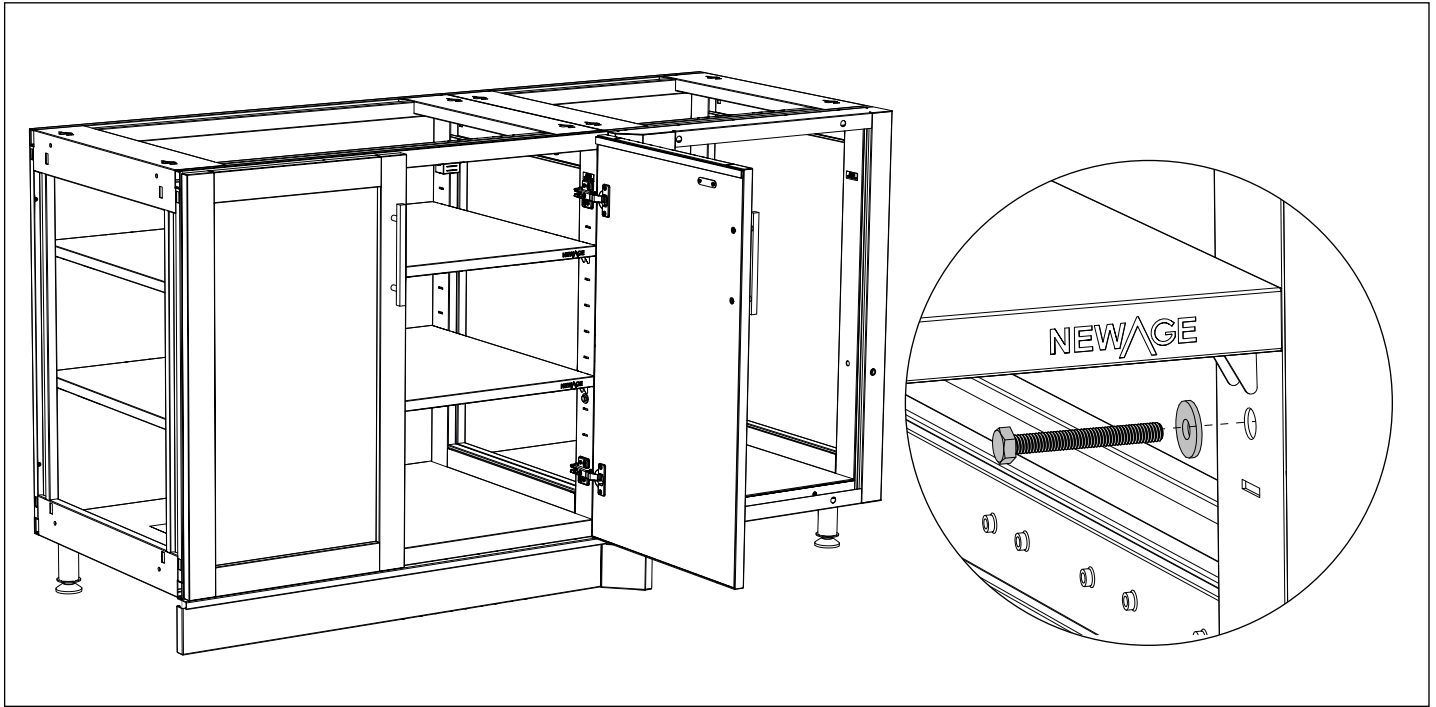
**i** **REMARQUE :** Comme il y a des écrous encastrés sur le côté droit de l'armoire d'angle à 90°, il n'est pas nécessaire d'utiliser des écrous ordinaires sur les boulons.

**2** Fixez d'abord l'armoire sur la face gauche de l'armoire d'angle.

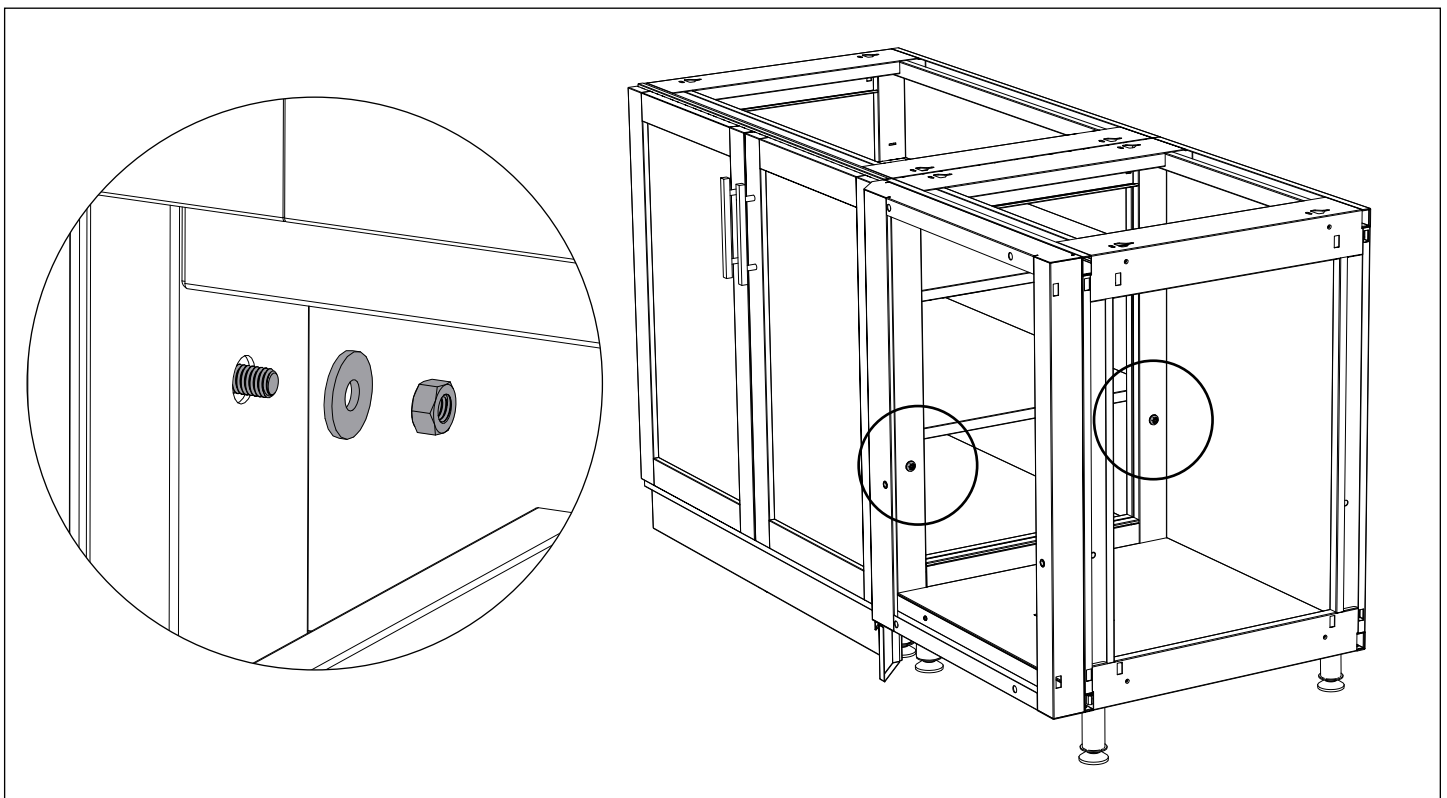


# Création d'un angle à 90°

- 3** Ouvrez la porte/le tiroir de l'armoire, identifiez les trous alignés et insérez le boulon à tête hexagonale M6x50 mm et la rondelle plate M6.



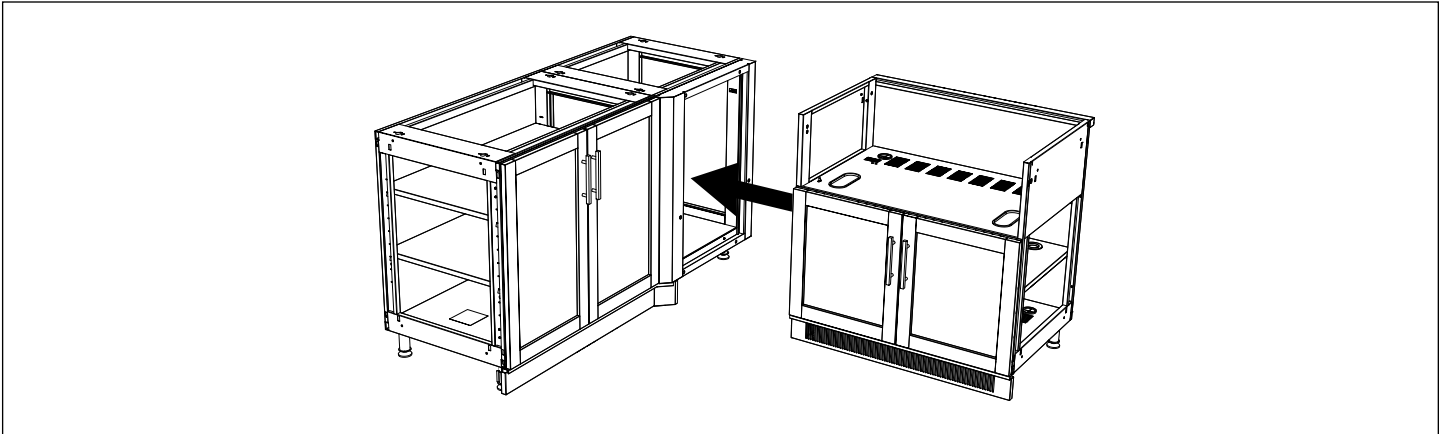
- 4** Insérez une rondelle plate M6 et serrez l'écrou hexagonal M6.



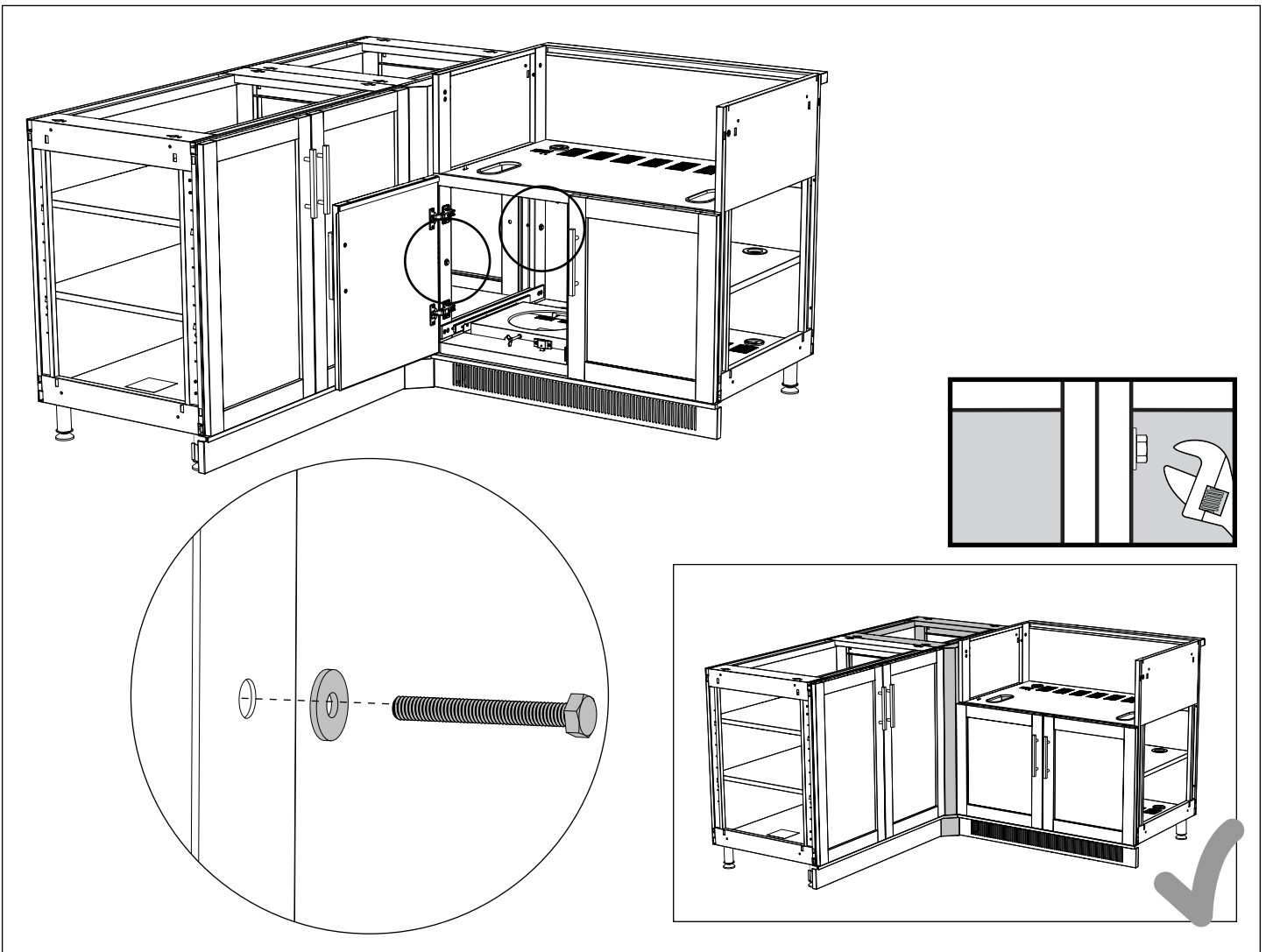


# Création d'un angle à 90°

- 5** Fixez l'autre armoire à la face droite de l'armoire d'angle.



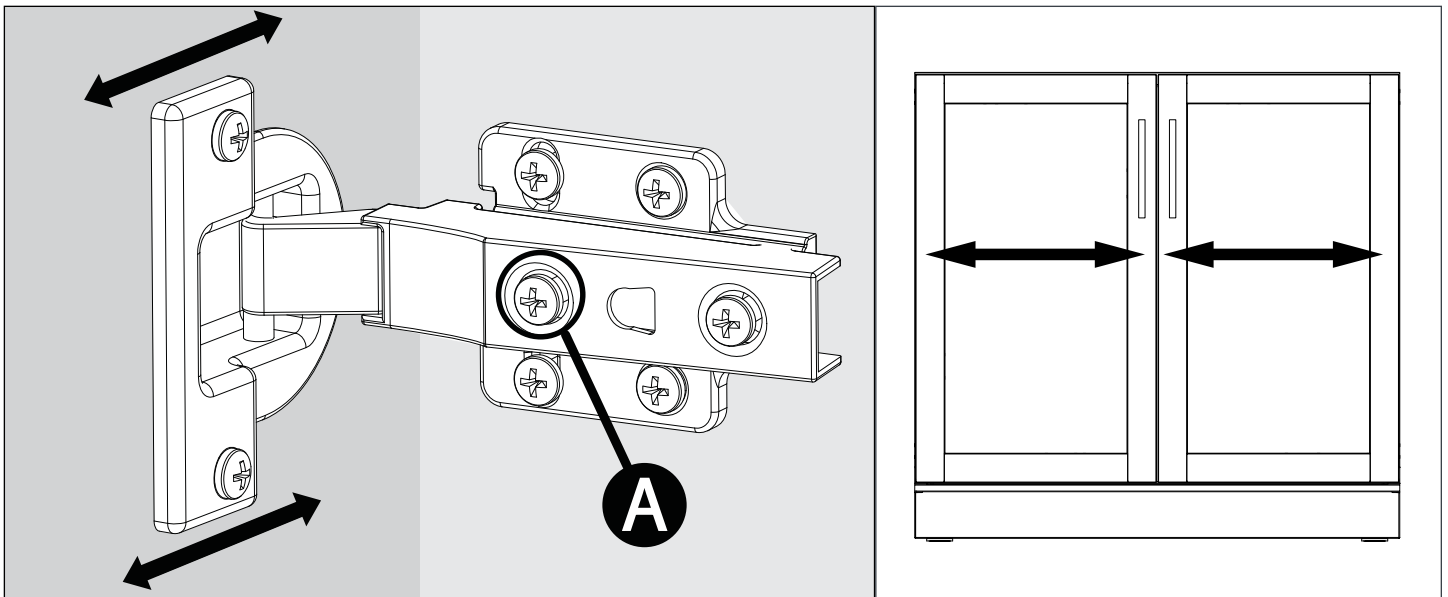
- 6** Installez un boulon à tête hexagonale M6x50 mm et une rondelle plate M6 dans tous les trous des montants verticaux.  
Ouvrez les portes de l'armoire pour accéder aux trous.



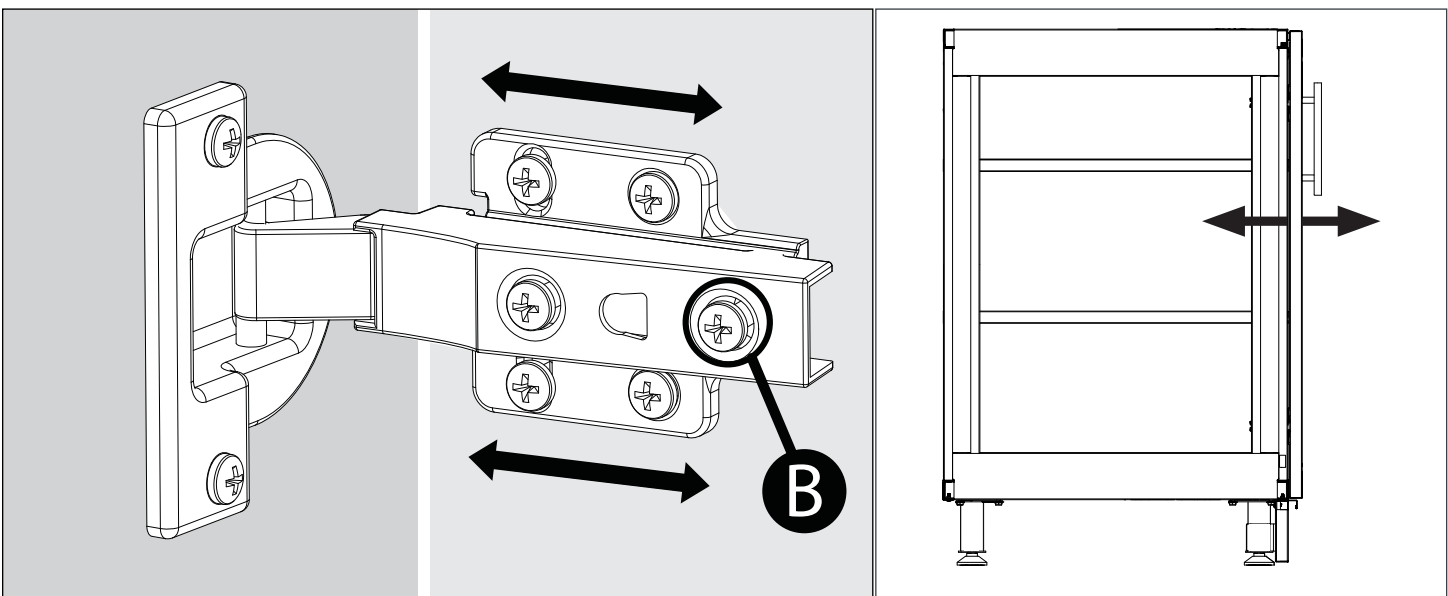
# Ajustement des charnières de porte

**i** **REMARQUE** : Les portes peuvent être réglées à l'aide d'un tournevis Phillips :  
Gauche, droite, avant et arrière.

**1** Pour régler les portes vers la gauche ou la droite, tournez la vis (A) dans le sens horaire ou antihoraire.



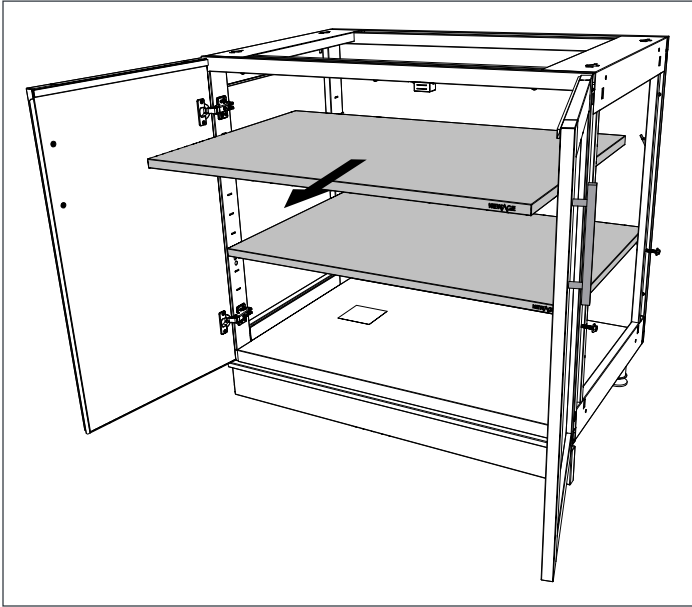
**2** Pour régler l'écart entre les portes et le cadre, tournez la vis (B) dans le sens horaire ou antihoraire.



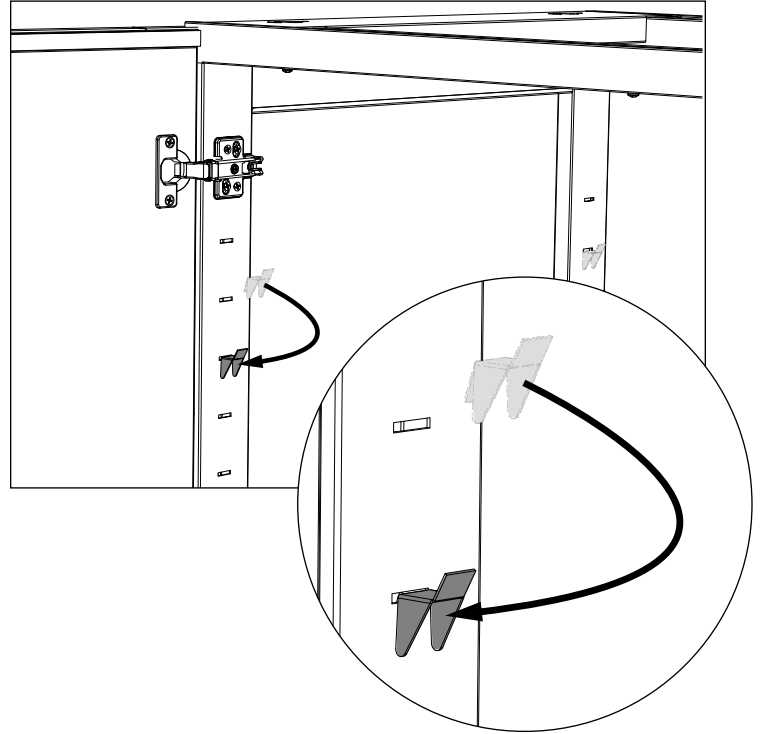


# Ajustement des tablettes

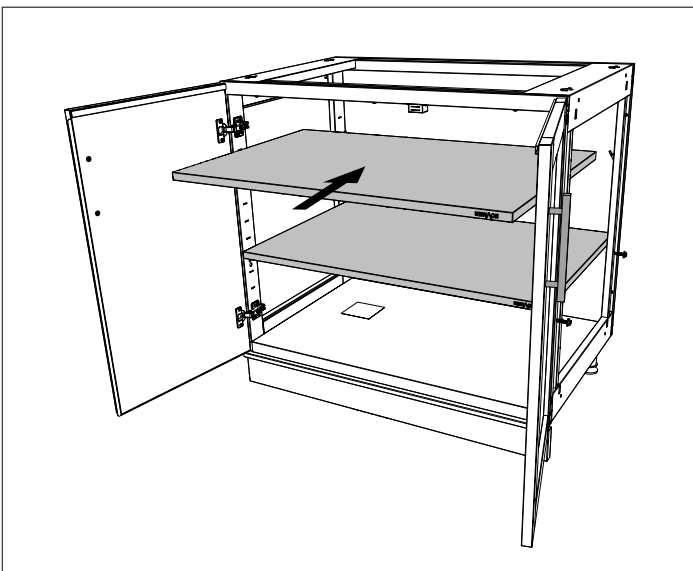
**1** Soulevez et retirez la tablette à ajuster.



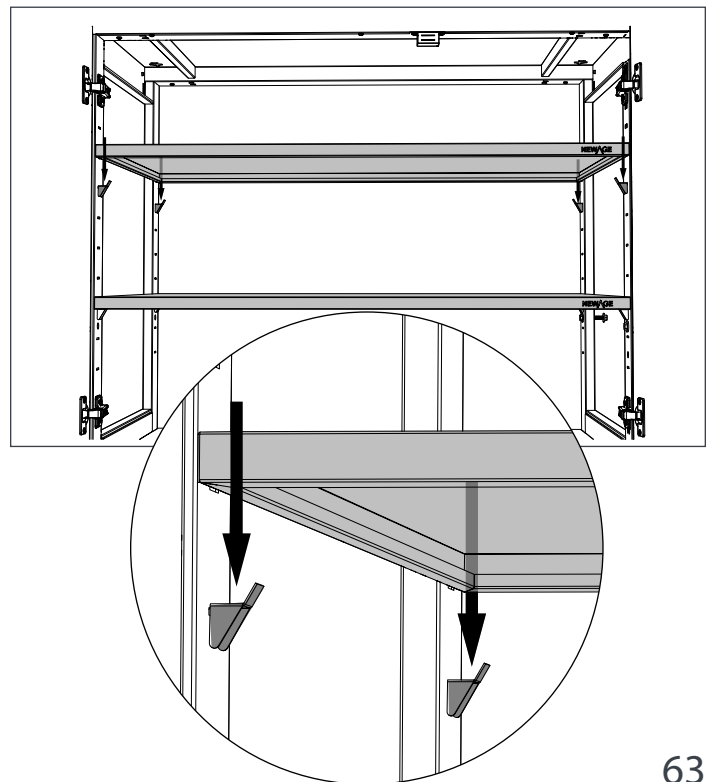
**2** Retirez les attaches de tablette des fentes et fixez-les sur les autres fentes de la hauteur souhaitée.



**3** Insérez la tablette.

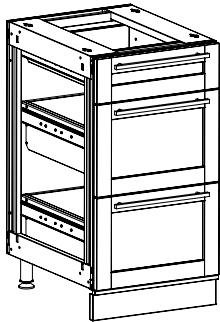


**4** Placez la tablette sur les attaches de tablette.

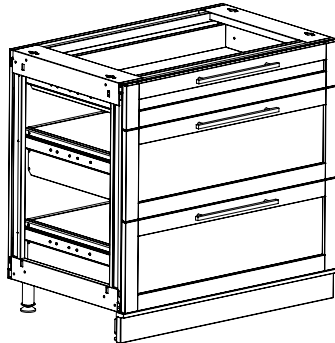


# Installation du support anti-basculement

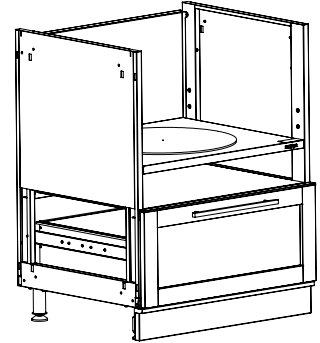
**i** Les instructions suivantes s'appliquent aux armoires ci-dessous



Armoire de 18 po à 3 portes

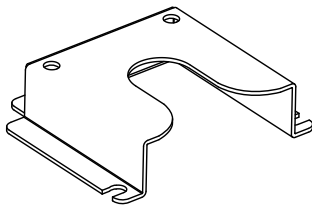


Armoire de 36 po à 3 portes



Armoire Kamado de 28 po

**i** Pièces requises



supports anti-basculement X2

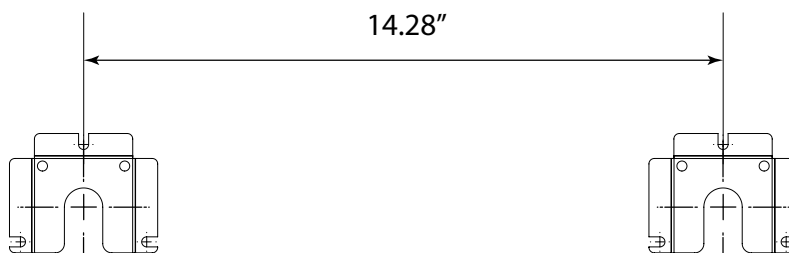


Vis à Bois  
X6



Vis Tapcon (béton)  
X6

**i** **REMARQUE** : Les schémas suivants montrent la distance centrale entre les deux supports anti-basculement pour les armoires respectives.



armoire à 3 tiroirs 18 po

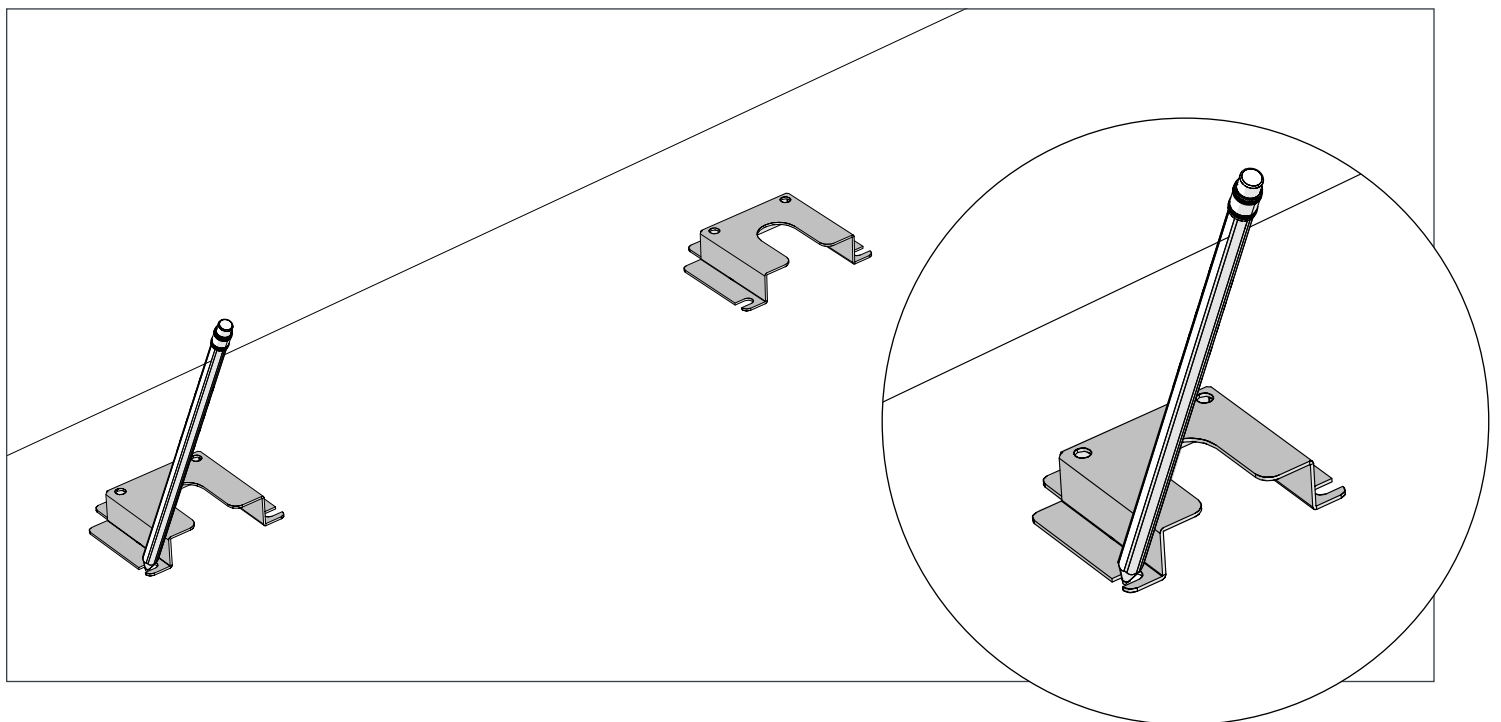
\* Toutes les dimensions sont en pouces

# Installation du support anti-basculement



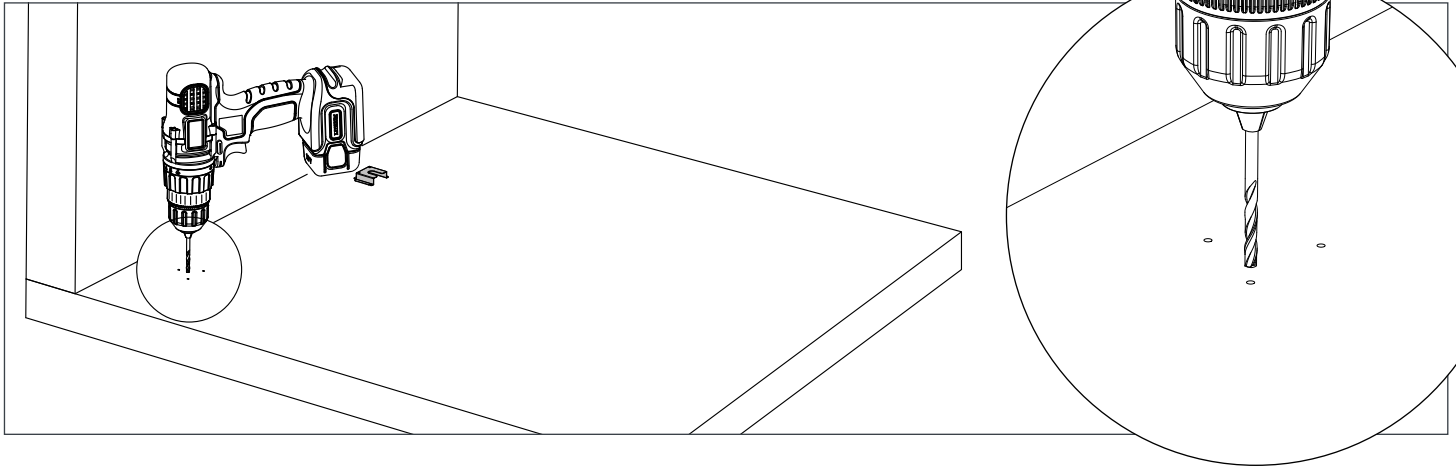
\* Toutes les dimensions sont  
en pouces

- 1** Placez les deux supports anti-basculement sur le sol et marquez les trois trous à percer avec un crayon pour chaque support. (Voir les schémas illustrés dans la REMARQUE précédente)

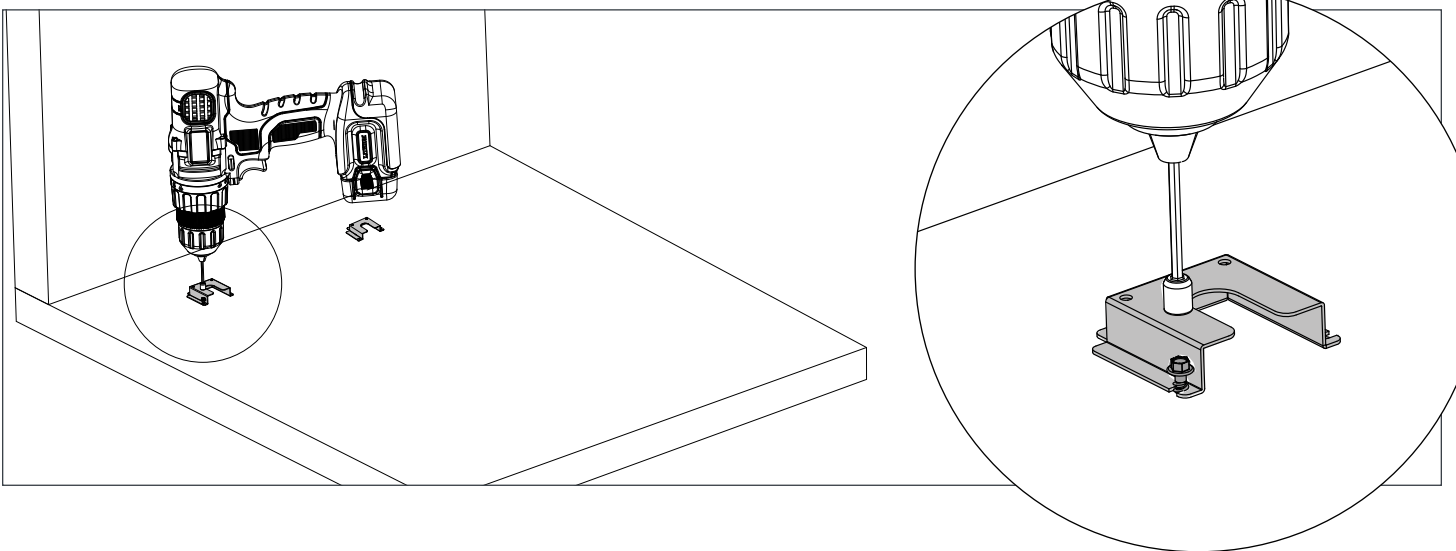


# Installation du support anti-basculement

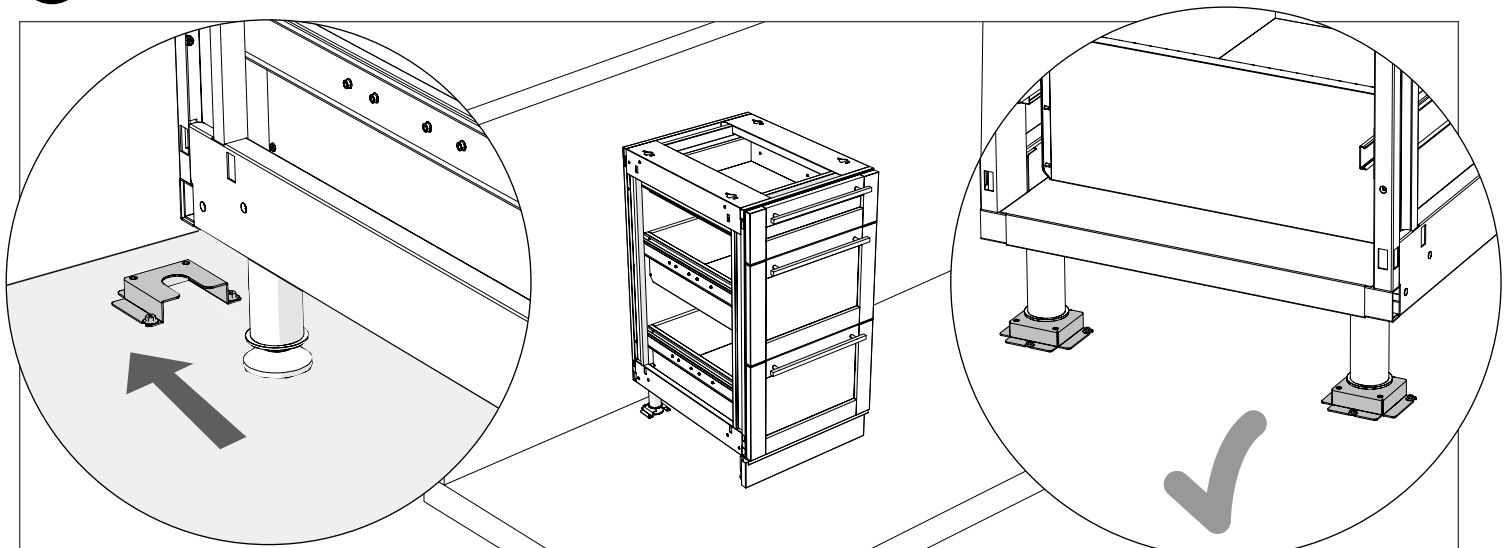
- 2** Percez le sol à l'endroit indiqué avec une dimension de foret recommandée de 5/32 po pour le substrat approprié.



- 3** Fixez les supports anti-basculement avec 3 vis Tapcon (béton) ou 3 vis à bois (bois) selon le substrat du sol.



- 4** Déplacez l'armoire et guidez les pattes à travers les supports pour fixer l'armoire.

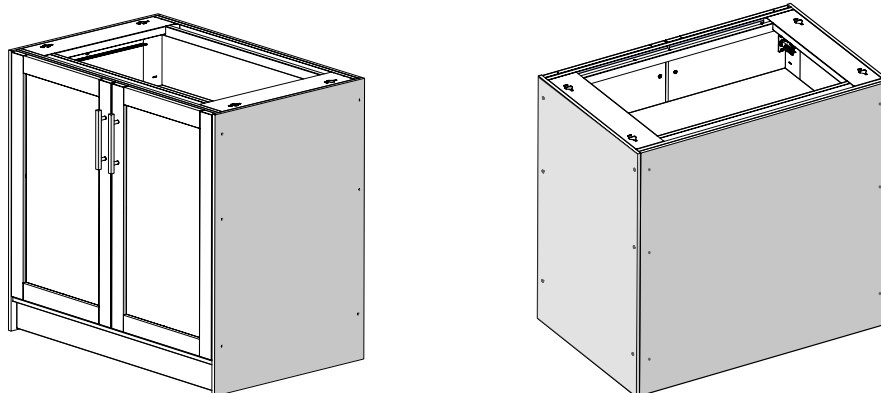


# **INSTALLATION DES PANNEAUX EN FIBROCIMENT**

# Aperçu des panneaux en fibrociment



Les panneaux en fibrociment sont montés sur les côtés ouverts des cadres des armoires. Ces panneaux sont destinés à recevoir des pierres ou des tuiles empilées sur ces panneaux.



Ces panneaux en fibrociment sont offerts en quatre tailles : 18 po, 28 po, 36 po et 40 po. Coupez les panneaux aux dimensions requises avant l'installation.

	DESCRIPTION	LARGEUR(PO)	PROFONDEUR(PO)	HAUTEUR(PO)
1	PANNEAU EN FIBROCIMENT DE 18 PO (Lot de 2)	18	0,5	34,7
2	PANNEAU EN FIBROCIMENT DE 36 PO (Lot de 2)	36	0,5	34,7
3	PANNEAU EN FIBROCIMENT DE 28 PO (Lot de 2)	28	0,5	34,7
4	PANNEAU EN FIBROCIMENT DE 40 po ( Lot de 2)	40	0,5	34,7



Vous trouverez ci-dessous la liste des mesures requises pour découper les panneaux à installer sur les côtés, à l'avant et à l'arrière des armoires, selon vos besoins. Veillez à vérifier la taille avant de couper les panneaux.

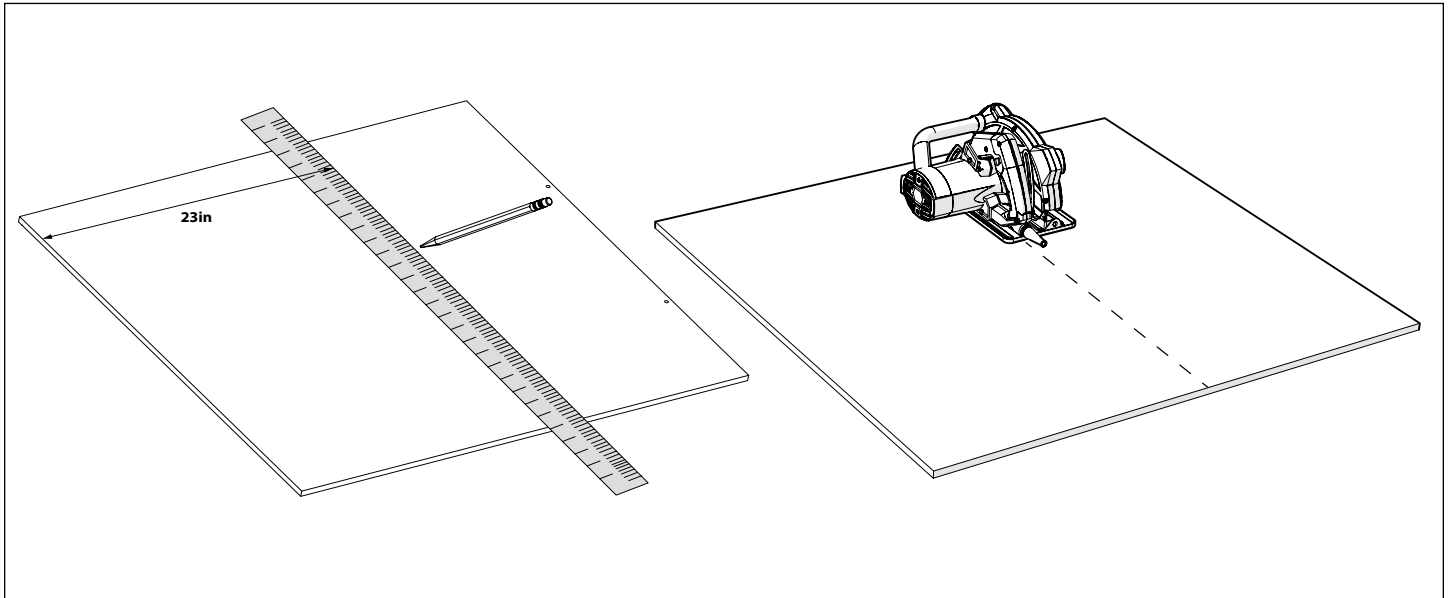
	APPLICATION	TAILLE REQUISE	TAILLE À DÉCOUPER
1	PANNEAU ARRIÈRE DE BRÛLEUR D'APPOINT DOUBLE	16	18
2	PANNEAU ARRIÈRE DE L'ARMOIRE DE 18 PO	18	18
3	PANNEAU FRONTAL DE L'ARMOIRE À FAUX CADRE DE 18 PO	17,9	18
4	PANNEAU ARRIÈRE DE L'ARMOIRE DE 36 PO	36	36
5	PANNEAU FRONTAL DE L'ARMOIRE À FAUX CADRE DE 36 PO	35,9	36
5	PANNEAU ARRIÈRE DE L'ARMOIRE EN ANGLE À 45°	21	28
6	PANNEAUX LATÉRAUX D'ARMOIRE	23,7	28
7	PANNEAU LATÉRAL DE L'ARMOIRE EN ANGLE À 90°	24,8	28
8	PANNEAU ARRIÈRE DE L'ARMOIRE EN ANGLE À 90°	25,2	28
9	PANNEAU ARRIÈRE DE L'ARMOIRE KAMADO DE 28 PO	28	28
10	PANNEAU ARRIÈRE DE GRIL ENCASTRABLE DE 33 PO	33	36
11	PANNEAU ARRIÈRE DE GRIL ENCASTRÉ DE 36 PO	36	36
12	PANNEAU ARRIÈRE DE GRIL ENCASTRÉ DE 40 PO	40	40
13	PANNEAU ARRIÈRE DU RÉFRIGÉRATEUR DE 24 PO	24	28



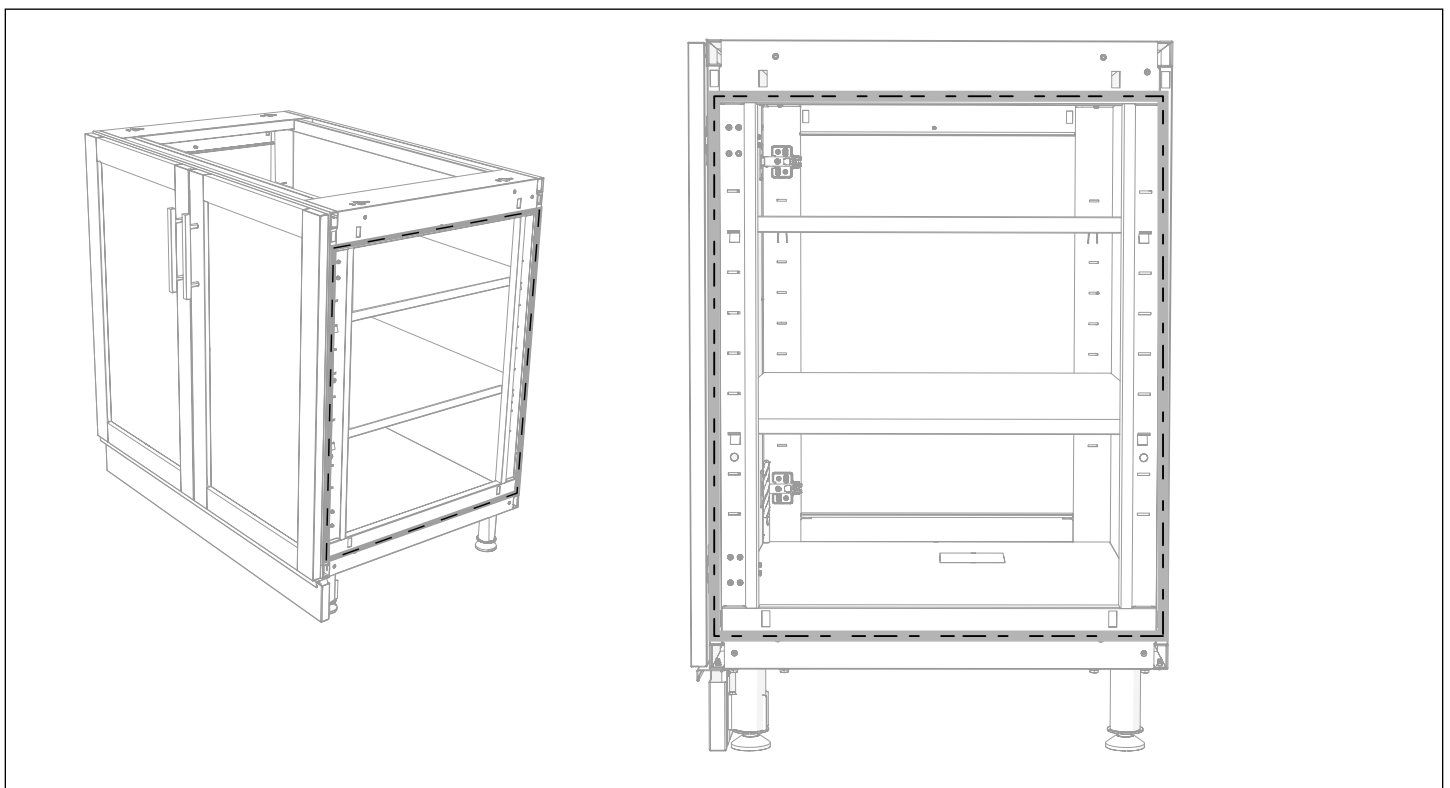
**REMARQUE :** Pour les armoires à faux cadre, la largeur du panneau avant en fibrociment doit être réduite de 3 mm (1/8 po) afin de créer l'espace nécessaire à l'installation de la pièce de garniture à l'extrémité.

# Installation de panneaux de fibres de ciment

- 1** Marquez la taille requise du panneau en fibrociment à l'aide d'une règle et d'un crayon. Découpez les panneaux en fibrociment aux dimensions requises à l'aide d'une scie circulaire.
- i** Portez un masque pendant la découpe des panneaux en fibrociment pour vous protéger de la poussière.

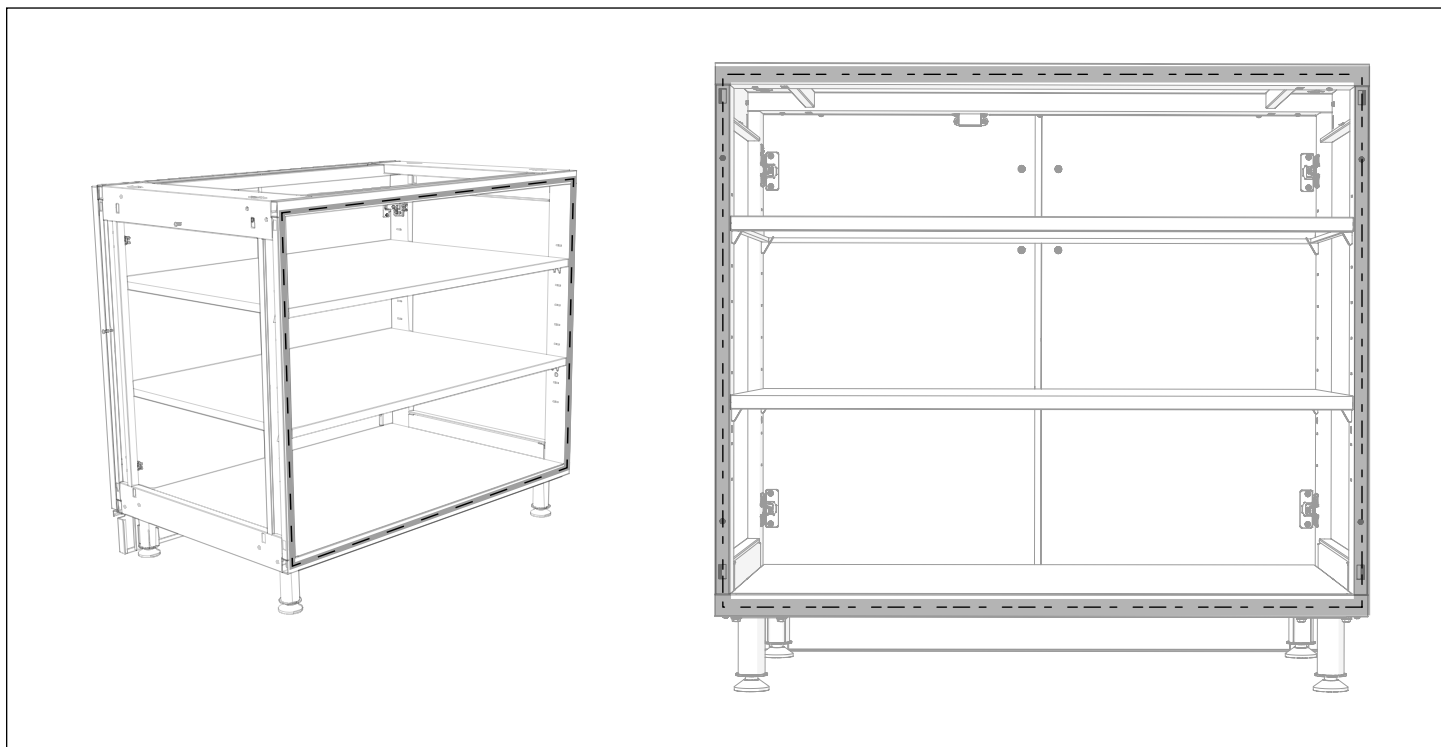


- 2** Mesurez et marquez les trous à percer sur les panneaux en fibrociment en les situant sur le cadre latéral de l'armoire. (Utilisez les dimensions localisées données pour chaque armoire dans les pages suivantes ci-dessous)



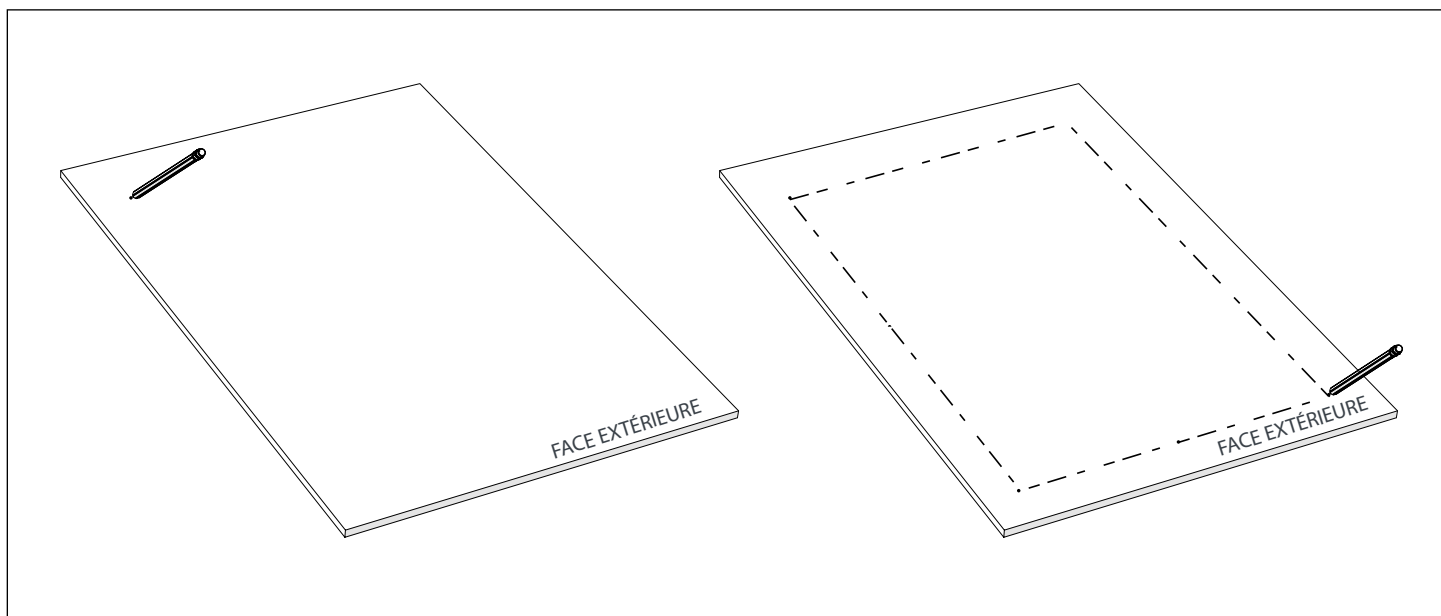
# Installation de panneaux en fibrociment

- 3** Mesurez et marquez les trous à percer sur les panneaux en fibrociment en les positionnant sur le cadre arrière de l'armoire. (Utilisez les dimensions localisées données pour chaque armoire dans les pages suivantes ci-dessous)



- 4** Marquez la ligne de cheminement sur laquelle percer les trous sur les panneaux en fibrociment.

**i** **REMARQUE :** Assurez-vous que la ligne de cheminement est marquée sur la « FACE EXTÉRIEURE » du panneau en fibrociment qui a une finition plus rugueuse avec une estampe rouge dans le coin.





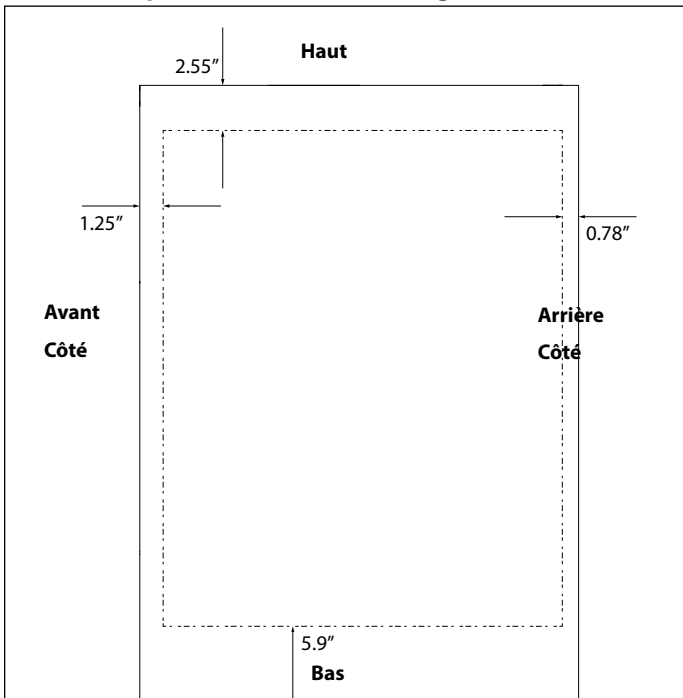
# Installation de panneaux en fibrociment

**i** Marquez le périmètre comme indiqué ci-dessous pour percer les trous pilotes sur les panneaux en fibrociment. Toutes les dimensions sont en pouces.

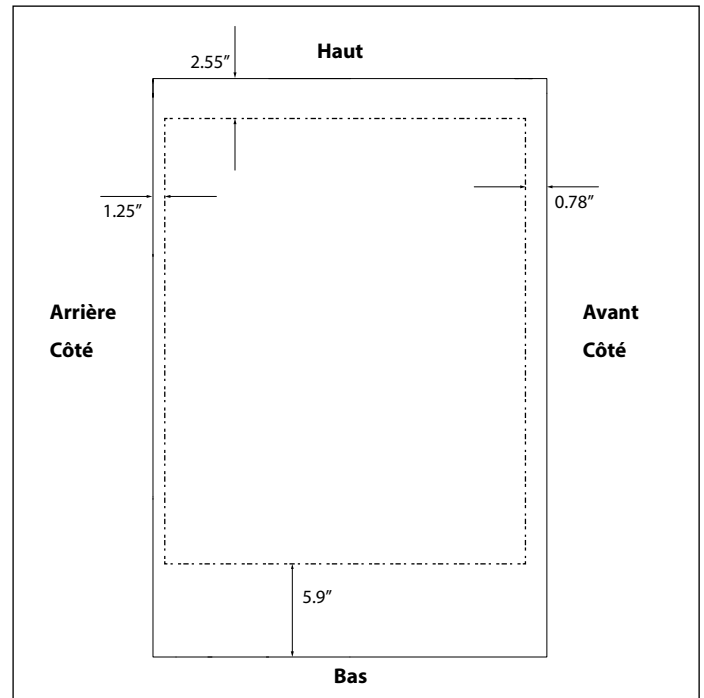
**i** **REMARQUE :** Les trous peuvent être marqués sur les lignes de cheminement indiquées dans les schémas.

Il est recommandé d'avoir au moins 4 trous aux 4 coins marqués sur le cheminement.

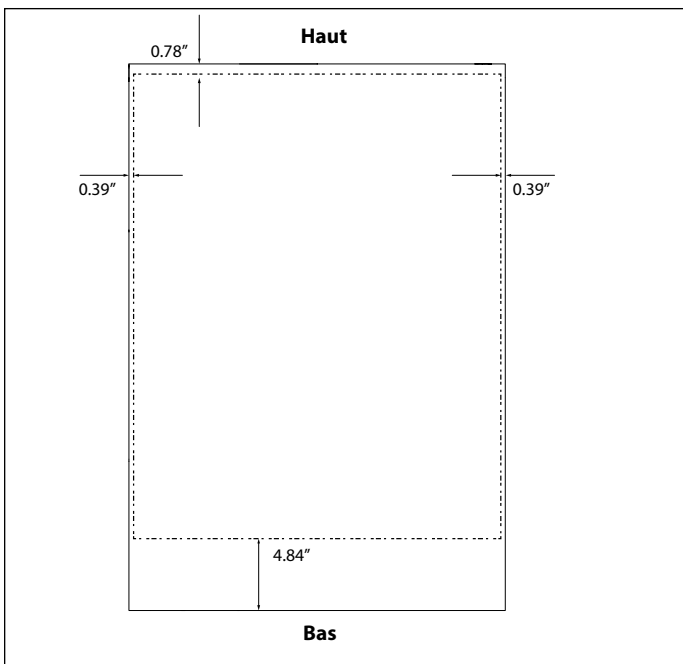
Panneau en fibrociment de 23,7 po du côté droit et de 24,8 po sur le côté à 90 degrés



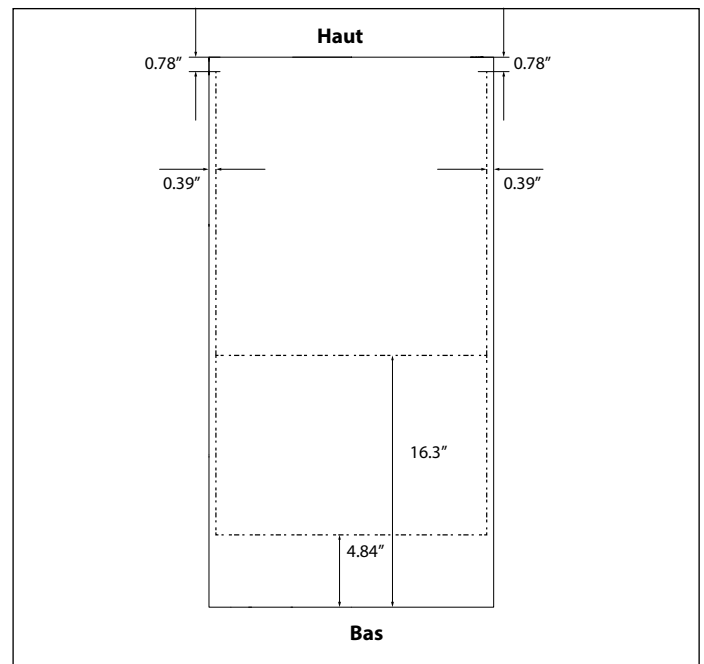
Panneau en fibrociment de 7 po du côté gauche



Panneaux en fibrociment arrière de 18 po, 36 po, 24 po (réfrigérateur), 21 po (angle de 45°), 25,2 po (angle de 90°)



Panneaux en fibrociment de 18 et 36 po à l'arrière de l'évier

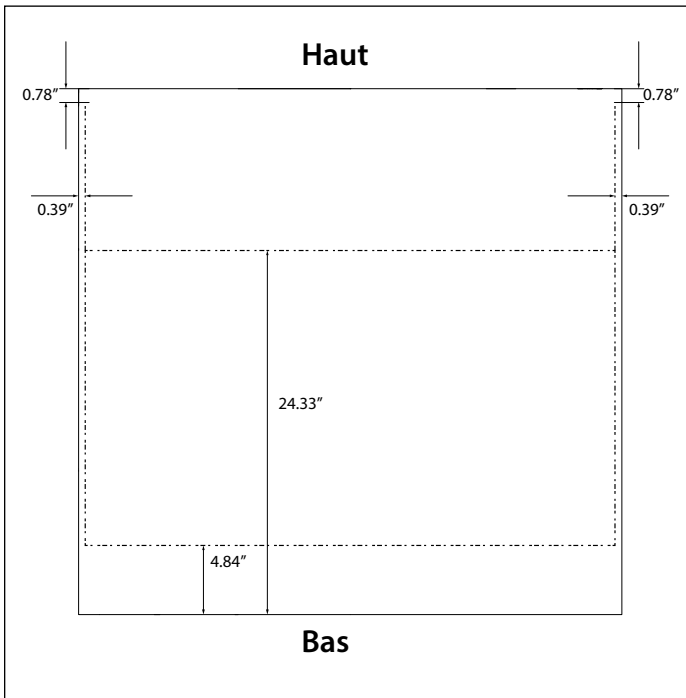


# Installation de panneaux en fibrociment

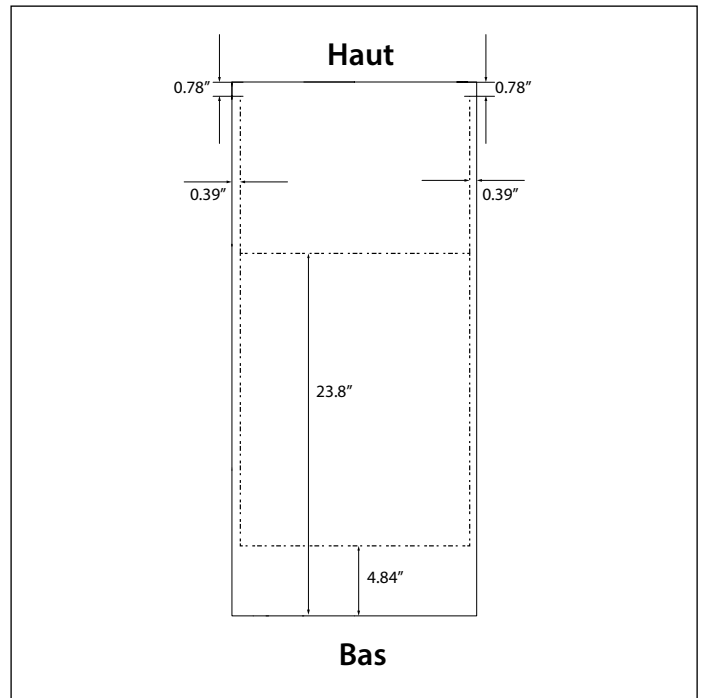


Marquez le périmètre comme indiqué ci-dessous pour percer les trous pilotes sur les panneaux en fibrociment. Toutes les dimensions sont en pouces.

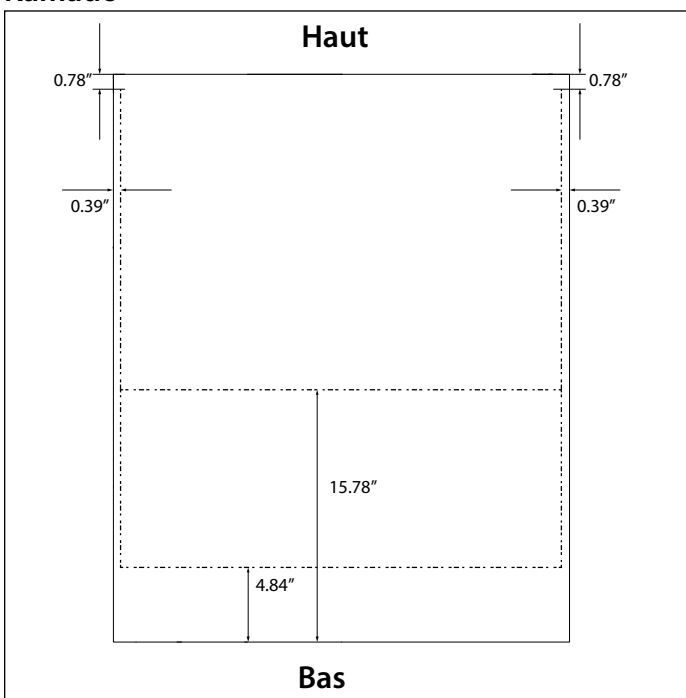
Panneau en fibrociment arrière d'armoire à grill de 33 po, 36 po, 40 po



Panneau en fibrociment arrière de brûleur d'appoint double de 16 po



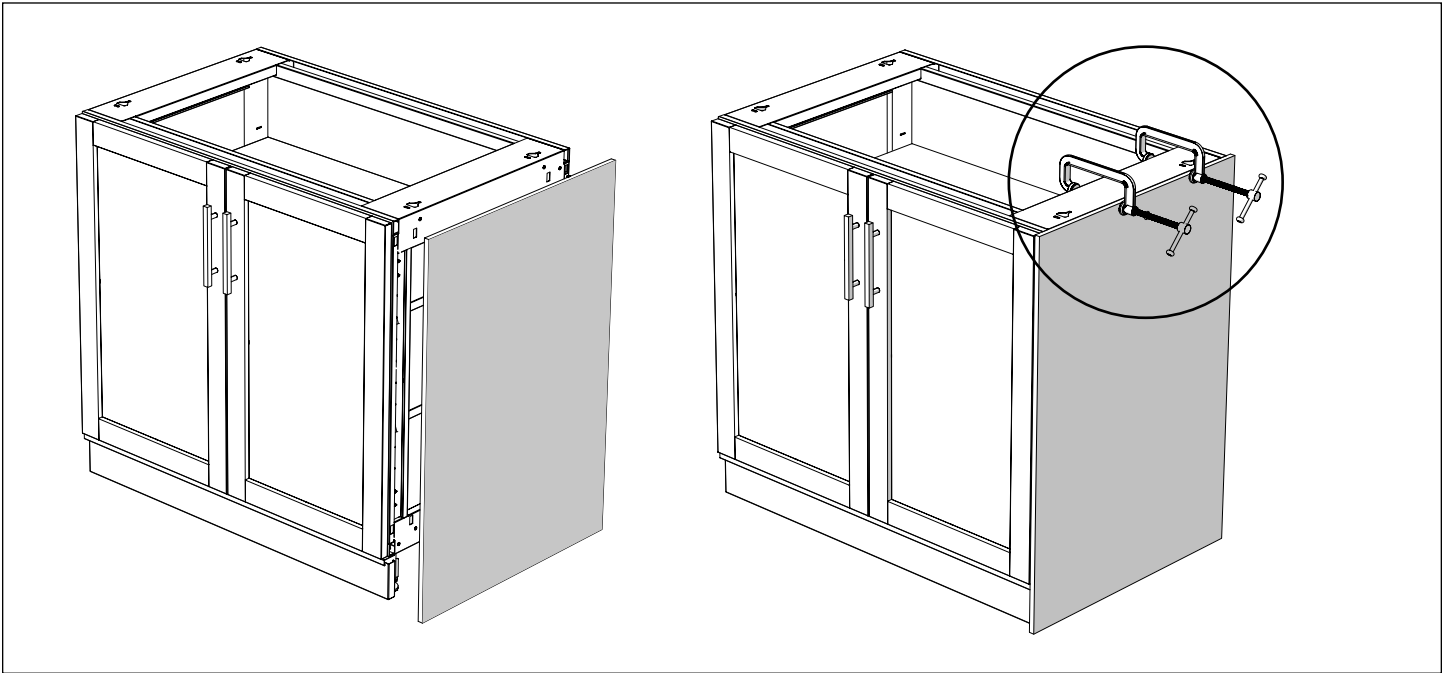
Panneau en fibrociment arrière de 28 po pour Kamado



# Installation de panneaux en fibrociment

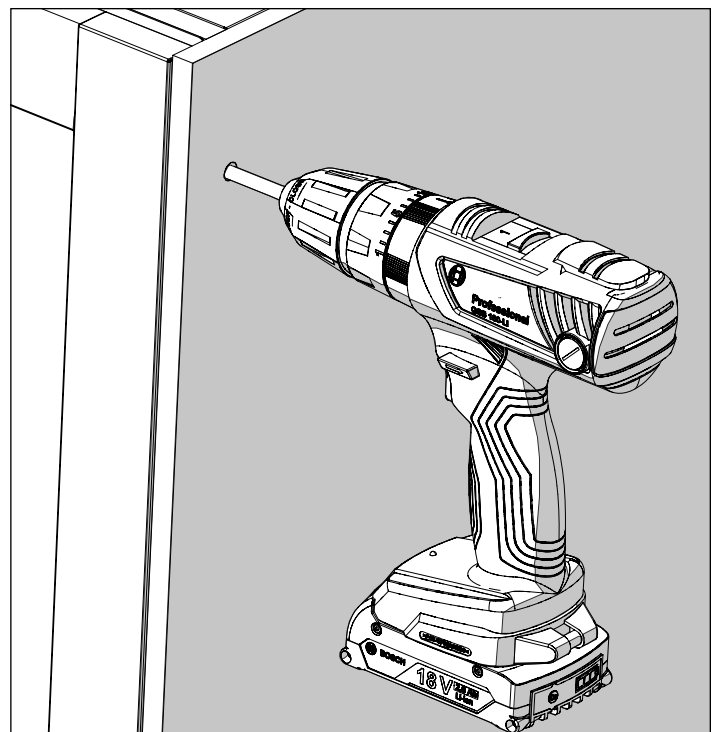
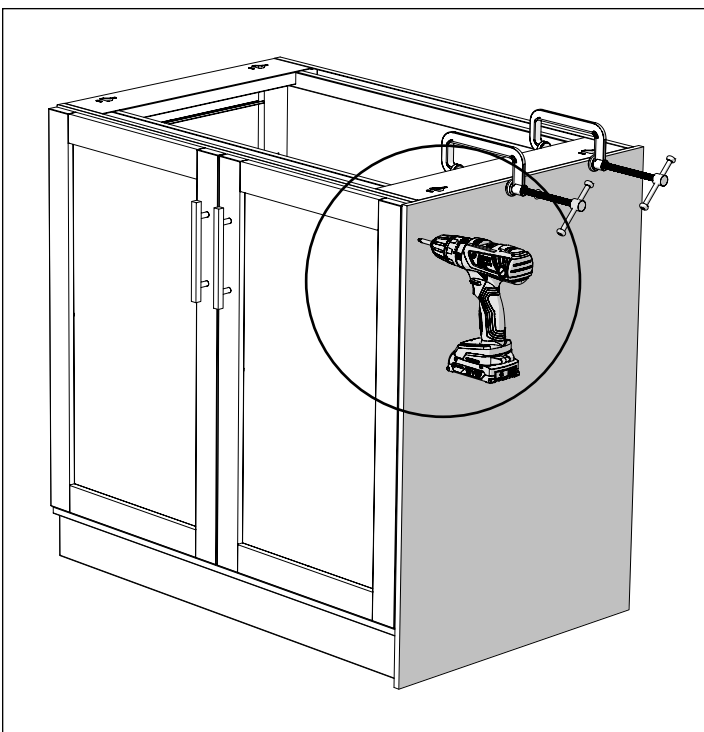
**i** **REMARQUE** : Veillez à commencer par installer le panneau en fibrociment ARRIÈRE pour faciliter le processus d'alignement des panneaux.

**5** Utilisez deux pinces pour fixer le panneau en fibrociment en position. Assurez-vous que les pinces sont bien serrées avant l'étape suivante.



**6** Percez en une seule fois les avant-trous du panneau en fibrociment et du cadre de l'armoire avec la mèche M3,5 fournie.

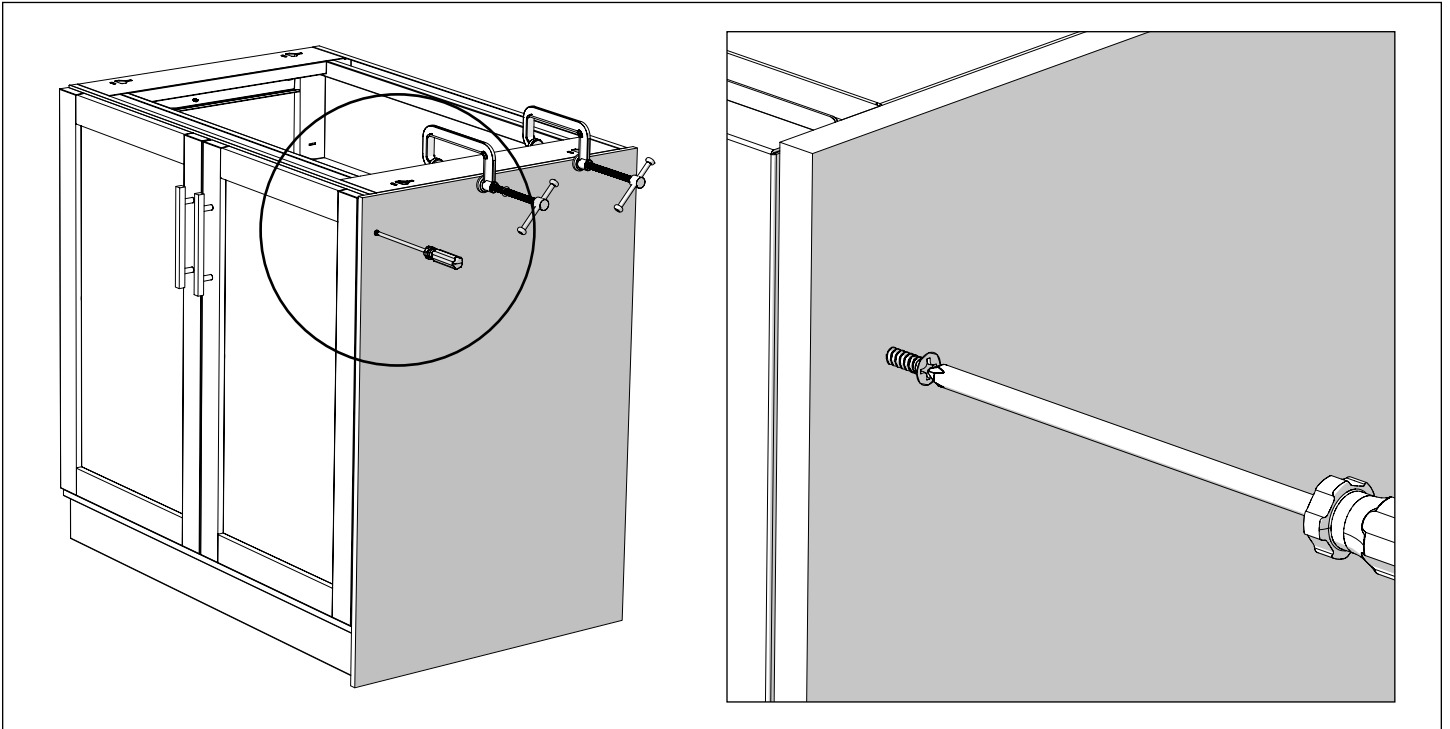
**i** **REMARQUE** : Veillez à ne percer que la couche de tôle extérieure des cadres de l'armoire.



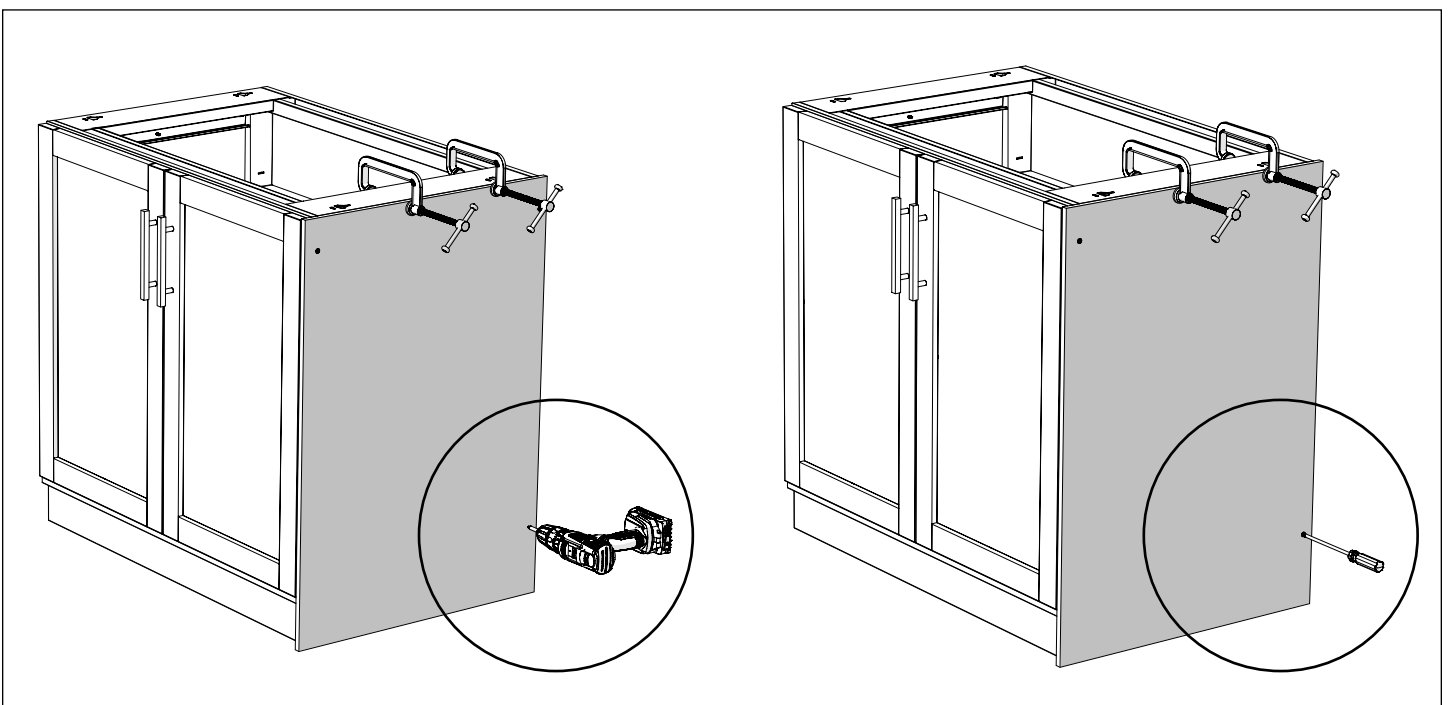
# Installation de panneaux en fibrociment

**7** Une fois le trou de l'angle supérieur percé, installez la vis à tête plate cruciforme à l'aide du tournevis ou d'un outil électrique.

**i** **REMARQUE** : 12 vis à tête plate cruciformes sont fournies avec chaque armoire pour les panneaux en fibrociment. Veillez à ce qu'au moins 6 vis soient montées pour chaque panneau en fibrociment.

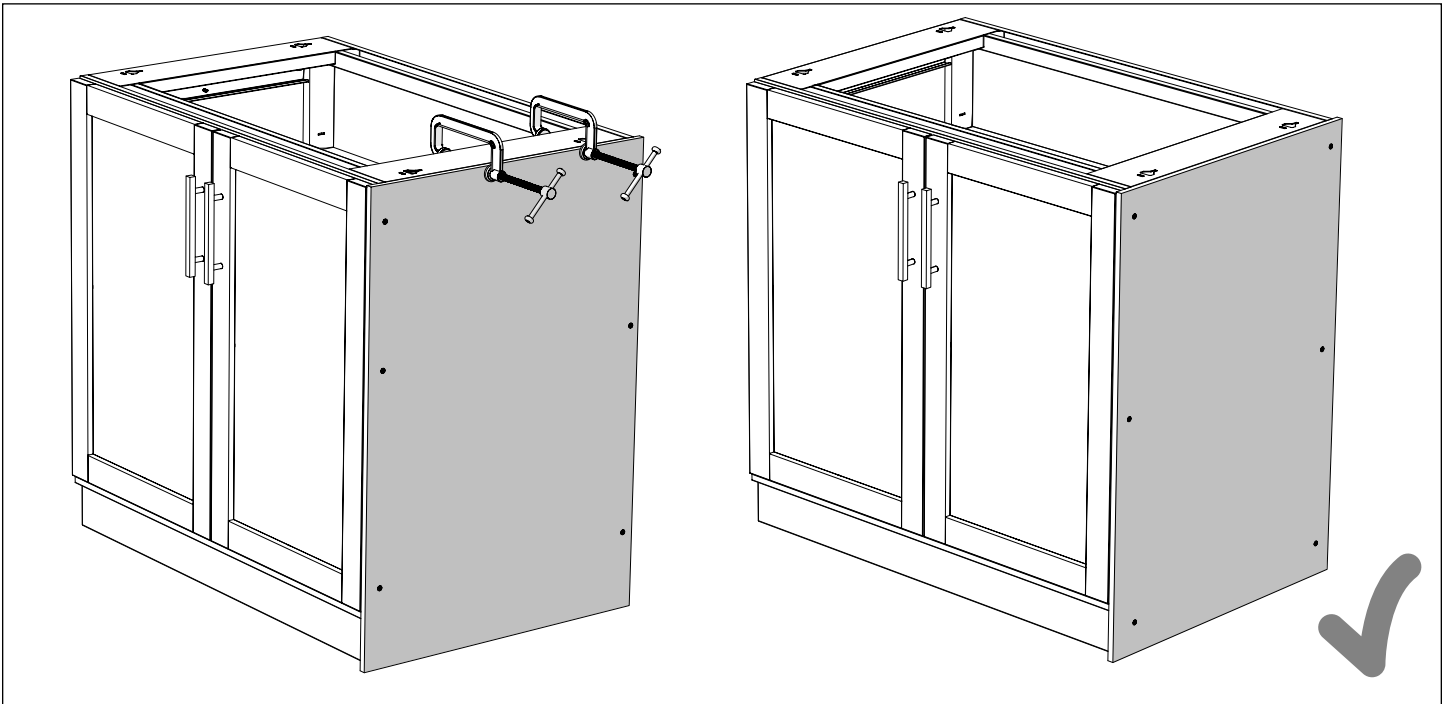


**8** Une fois la vis installée dans le coin supérieur gauche, suivez la même procédure de perçage du coin inférieur droit et installez la vis correspondante.

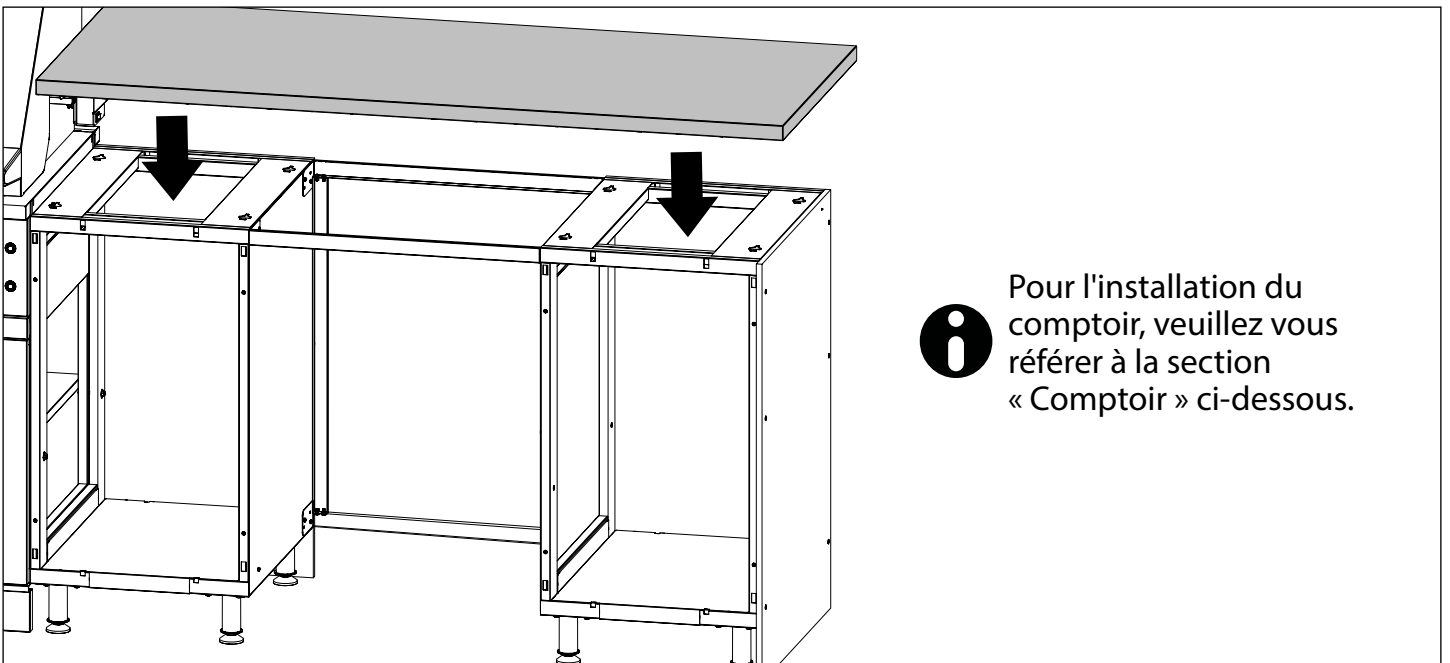


# Installation de panneaux en fibrociment

- 9** Suivez maintenant le même processus pour installer les autres vis à leurs emplacements respectifs marqués selon la taille du panneau en fibrociment. Une fois que les vis sont toutes installées, retirez les pinces et passez à la fixation du panneau en fibrociment suivant.



- i** **REMARQUE :** Pour les ensembles d'armoires comprenant des faux cadres (18 po et 36 po), il est recommandé d'installer d'abord le comptoir en acier inoxydable, puis les panneaux en fibrociment avant et arrière. Ceci est dû à l'accès limité aux vis de raccord pour l'installation du comptoir en acier inoxydable, après avoir installé tous les panneaux en fibrociment.

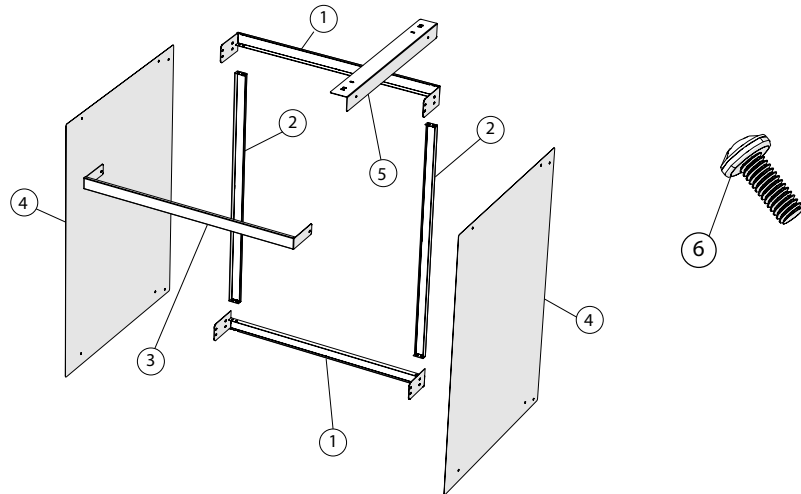


# Installation de l'ensemble de supports de réfrigérateur

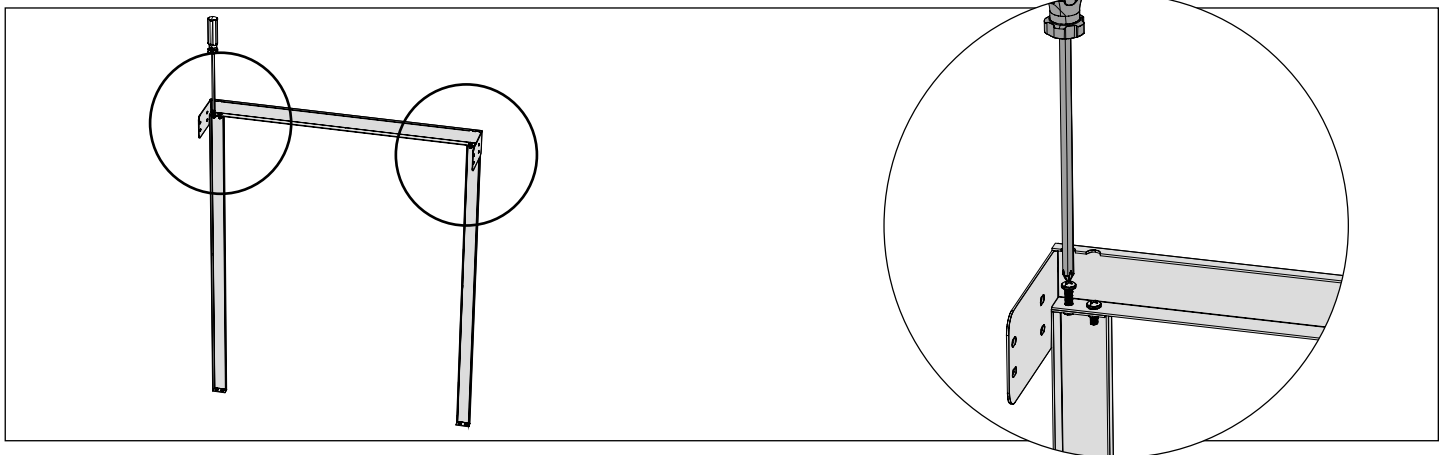
Le support pour réfrigérateur est utilisé pour monter les panneaux en fibrociment à l'arrière du réfrigérateur.

**i** L'ensemble de supports comprend un support horizontal avant(3) pour couvrir l'espace entre le comptoir et le dessus du réfrigérateur. L'ensemble comprend également le support en « L » de montage sur le comptoir (5) qui doit être utilisé lorsque l'extrémité du réfrigérateur du comptoir de 60 po n'est pas soutenue.

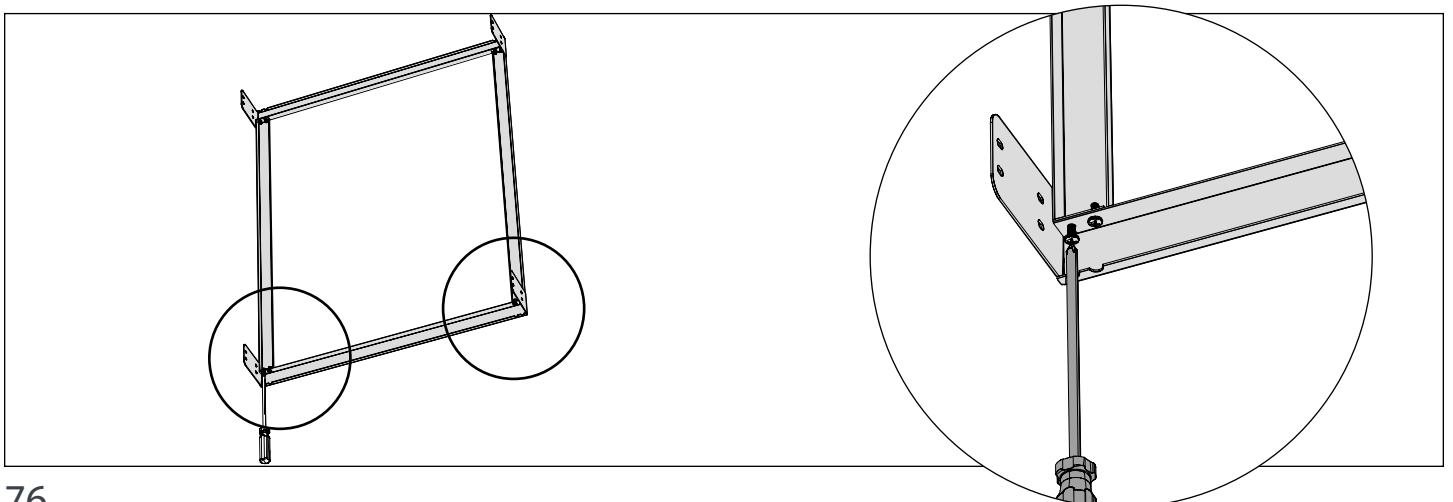
Article	Composants	QTÉ
1	Brides de support horizontales	2
2	Brides de support verticales	2
3	Support horizontal avant	1
4	Feuille de revêtement latérale	2
5	Support en L de montage de comptoir	1
6	Vis à tête cylindrique M4X10	23



**1** Assemblez d'abord le cadre arrière avec la bride de support horizontale supérieure (article 1) et les deux montants verticaux (article 2) avec 2 vis à tête cylindrique des deux côtés.

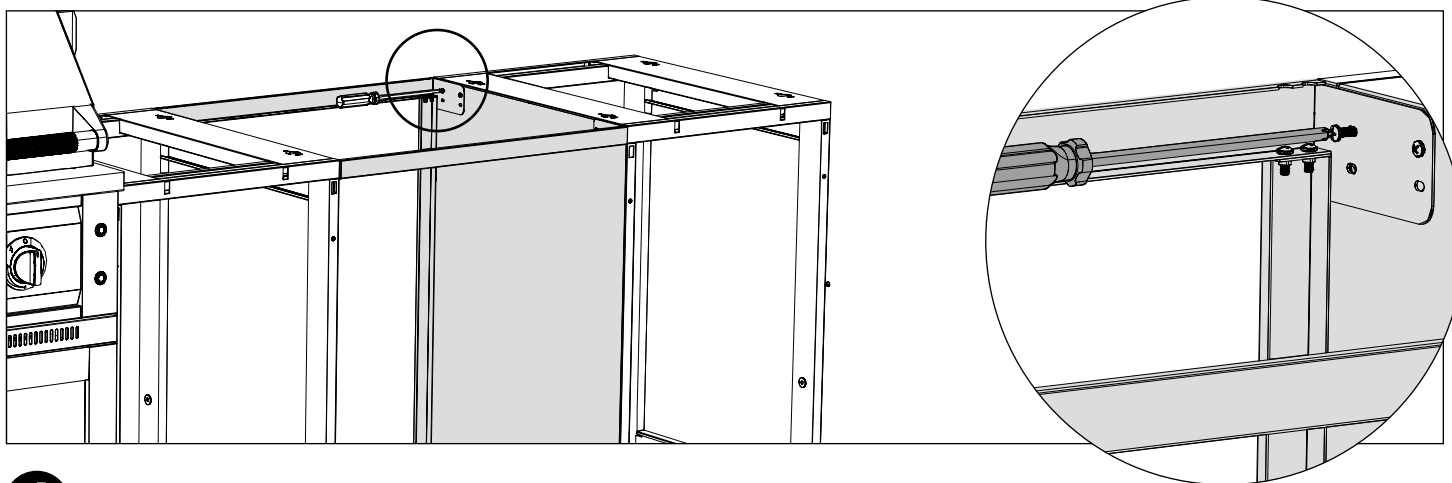


**2** Ajoutez la bride de support horizontale inférieure (article 1) au cadre arrière à l'aide de 2 vis à tête cylindrique des deux côtés.

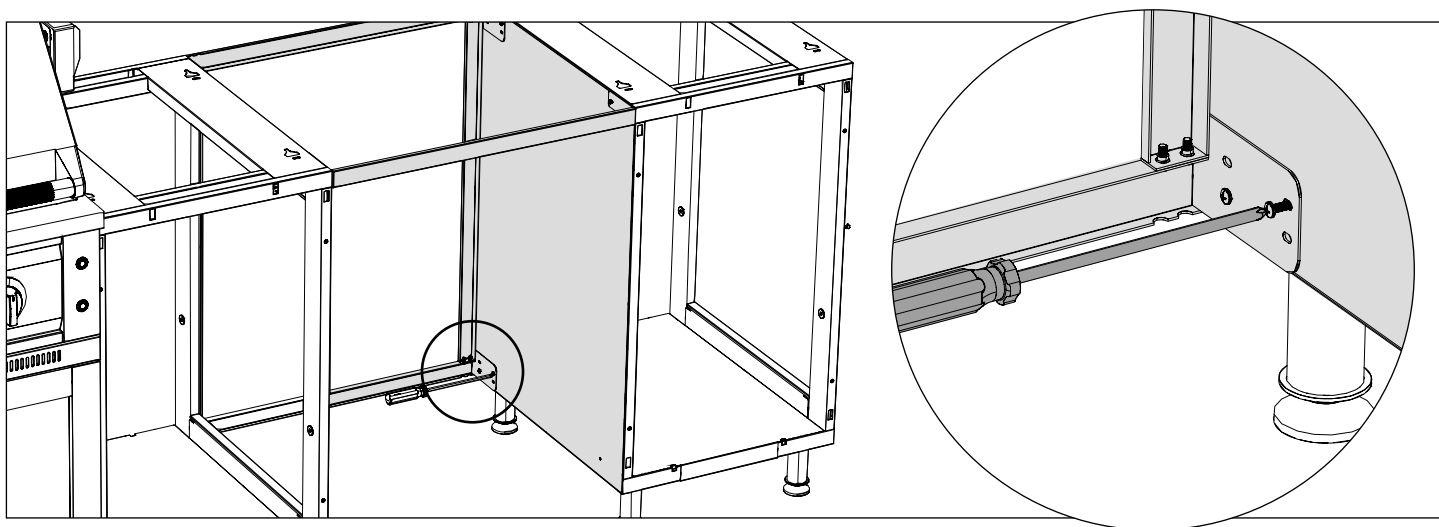


# Installation de l'ensemble de supports de réfrigérateur

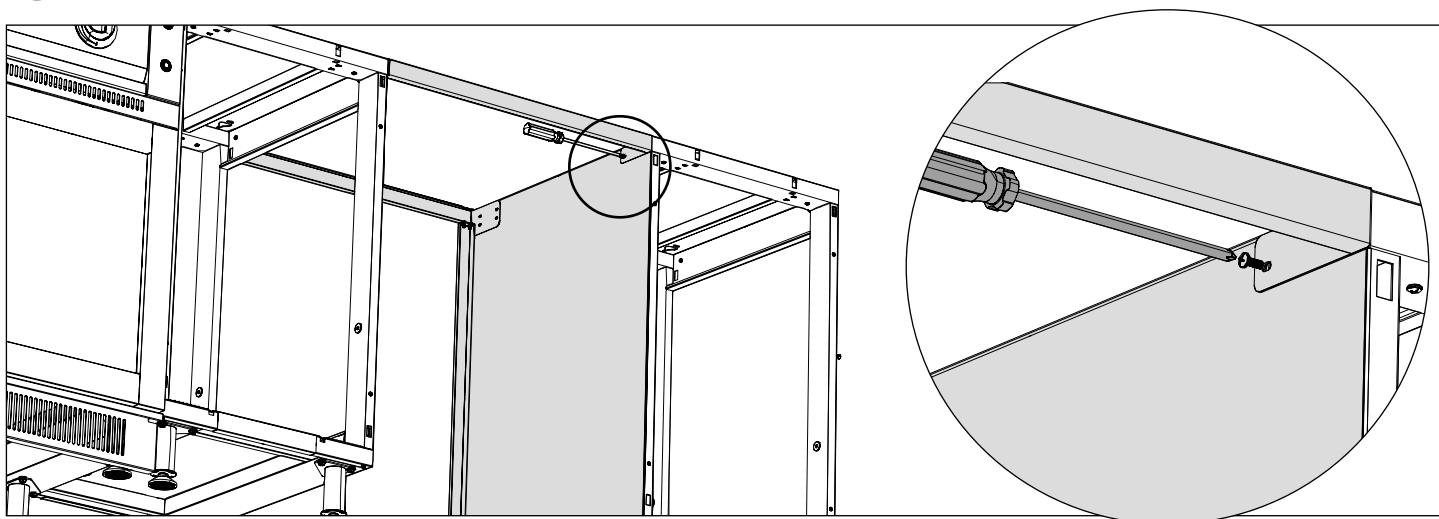
- 3** Maintenant, tenez le cadre arrière, la feuille de droite (article 4) et le support horizontal avant (article 3) ensemble en place et ajoutez les 2 vis à tête cylindrique sur le côté supérieur arrière droit.



- 4** Ajoutez deux autres vis à tête cylindrique sur le côté inférieur arrière droit.

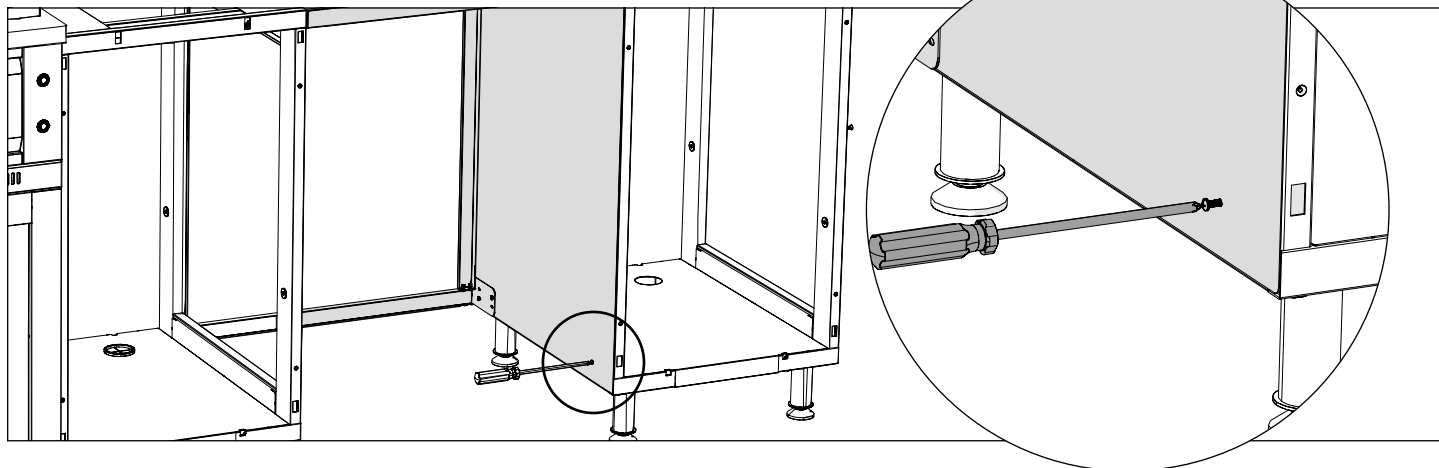


- 5** Ajoutez une vis à tête cylindrique sur le côté supérieur avant droit.

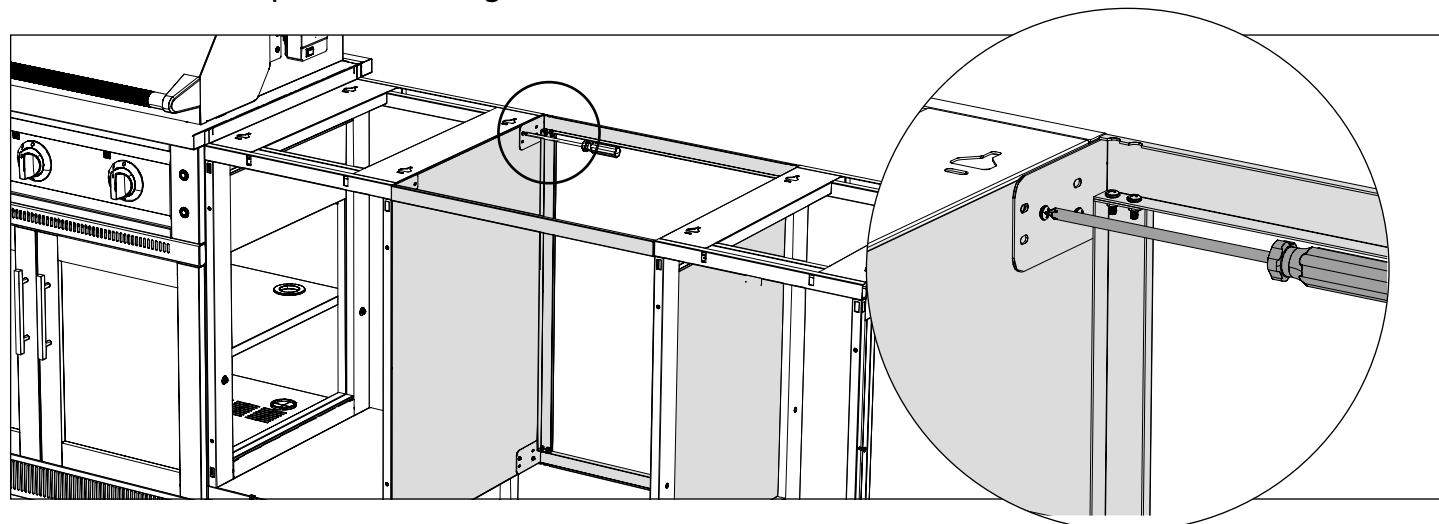


# Installation de l'ensemble de supports de réfrigérateur

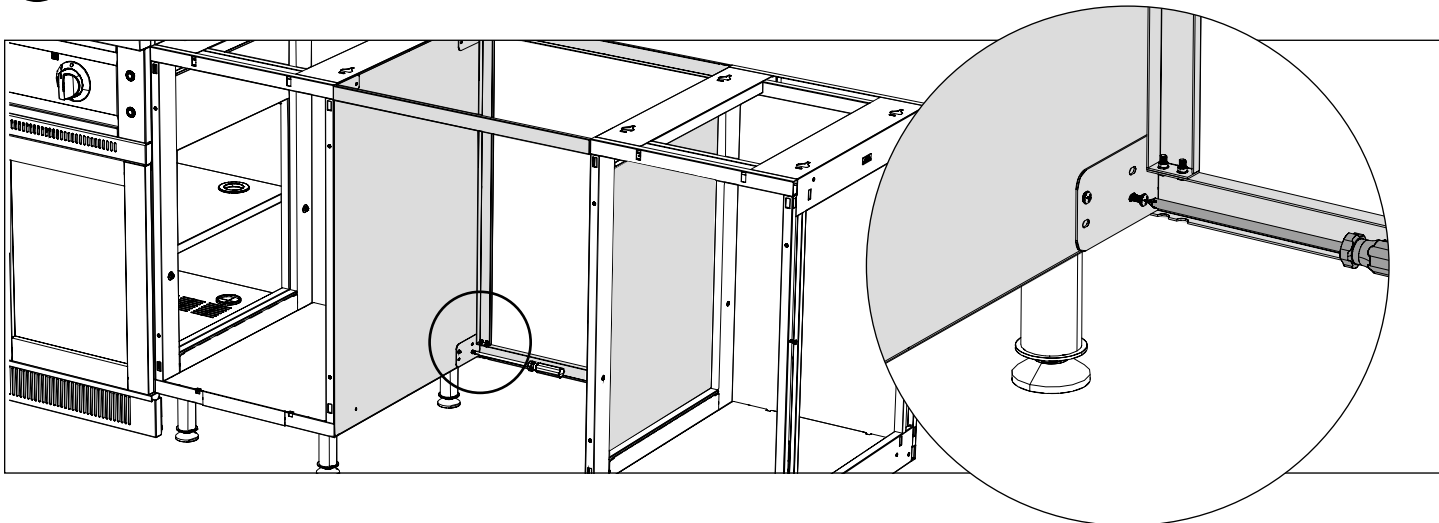
- 6** Ajoutez 1 vis à tête cylindrique sur le côté inférieur avant droit.



- 7** Faites maintenant glisser la feuille gauche (article 4) en place et ajoutez 2 vis à tête cylindrique sur le côté supérieur arrière gauche.



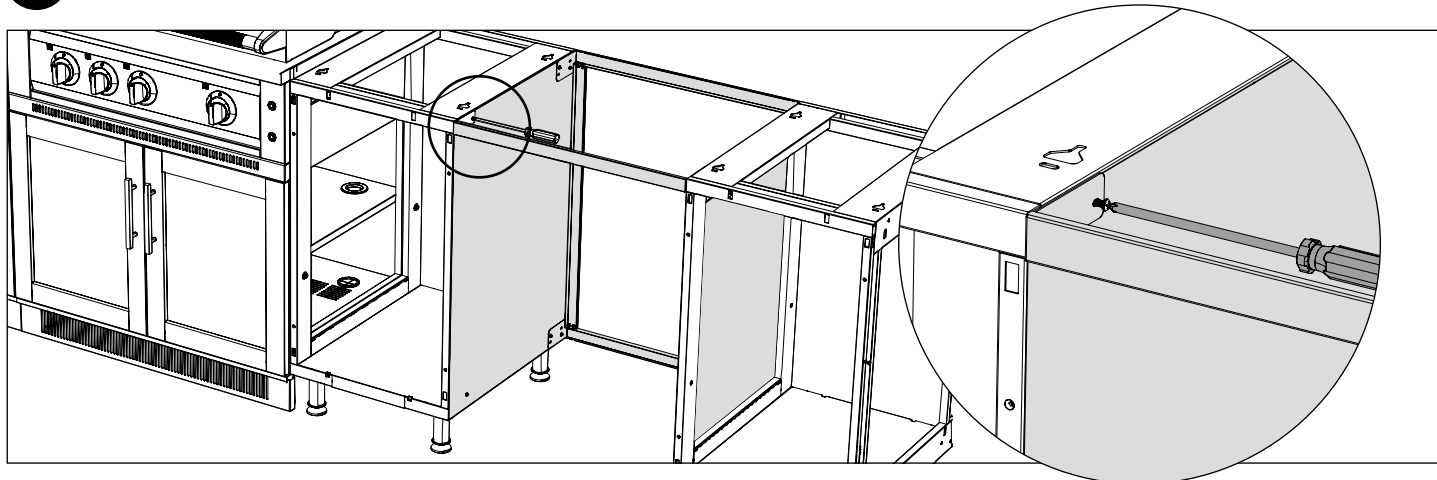
- 8** Maintenant, ajoutez 2 vis à tête cylindrique du côté inférieur arrière gauche.



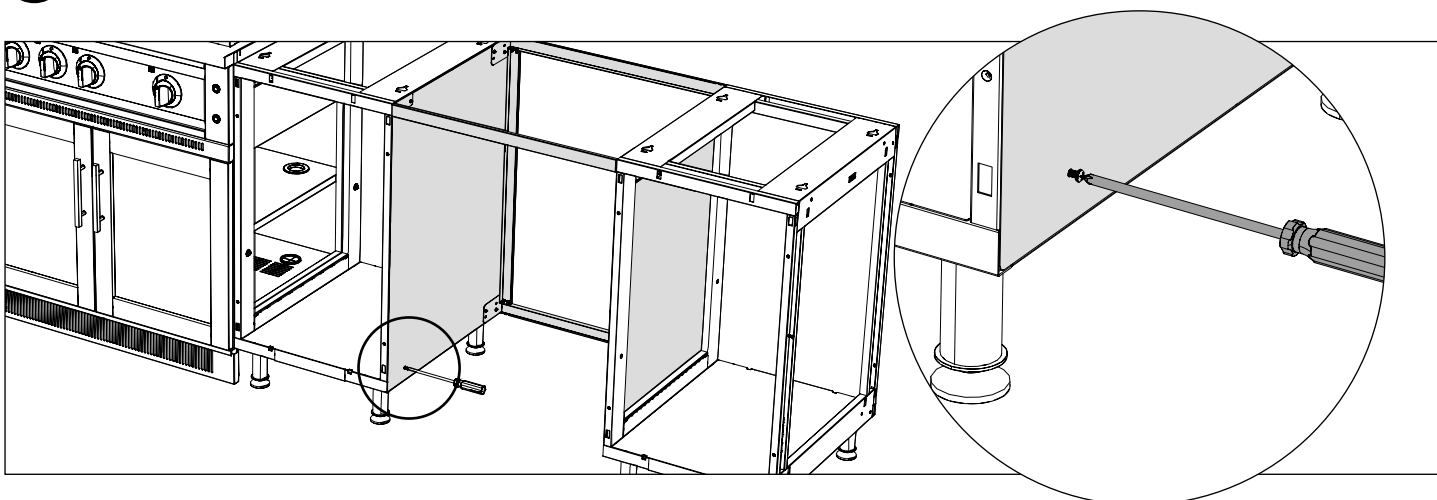


# Installation de l'ensemble de supports de réfrigérateur

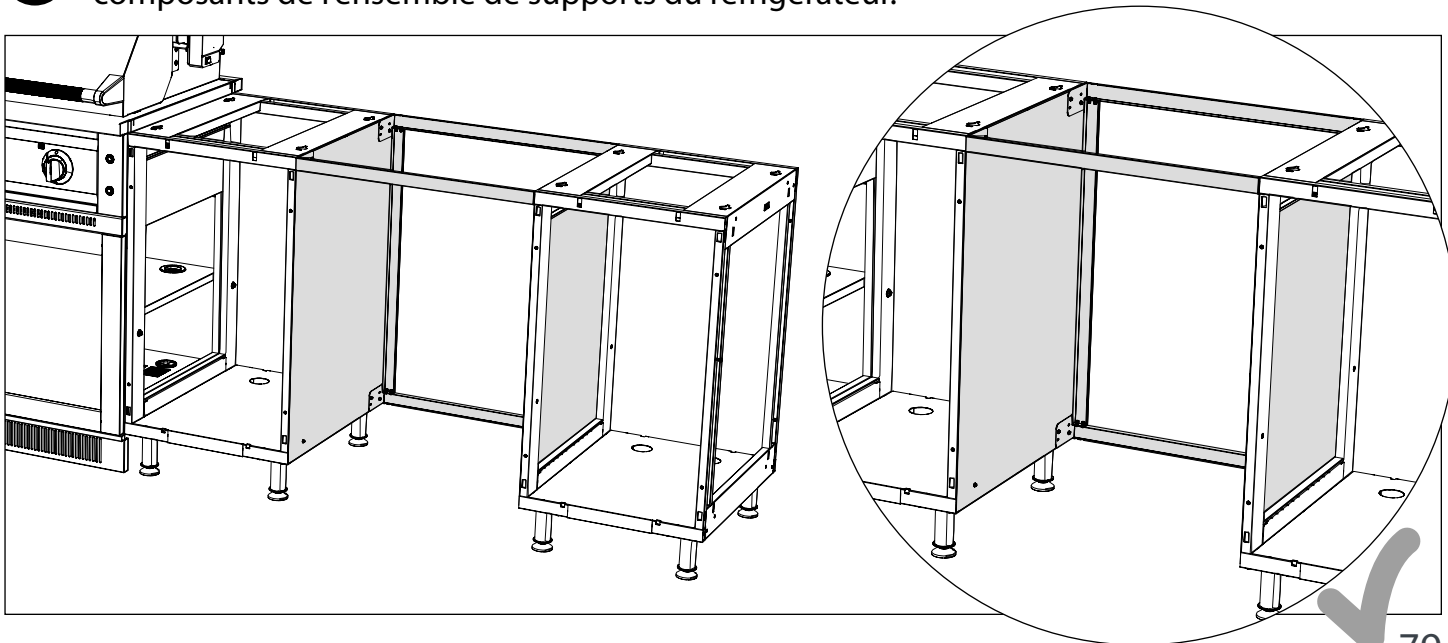
- 9** Ensuite, ajoutez une vis à tête cylindrique du côté supérieur avant gauche.



- 10** Maintenant, ajoutez une vis à tête cylindrique du côté inférieur avant gauche.



- 11** Assurez-vous que toutes les vis à tête cylindrique sont bien serrées pour fixer tous les composants de l'ensemble de supports du réfrigérateur.

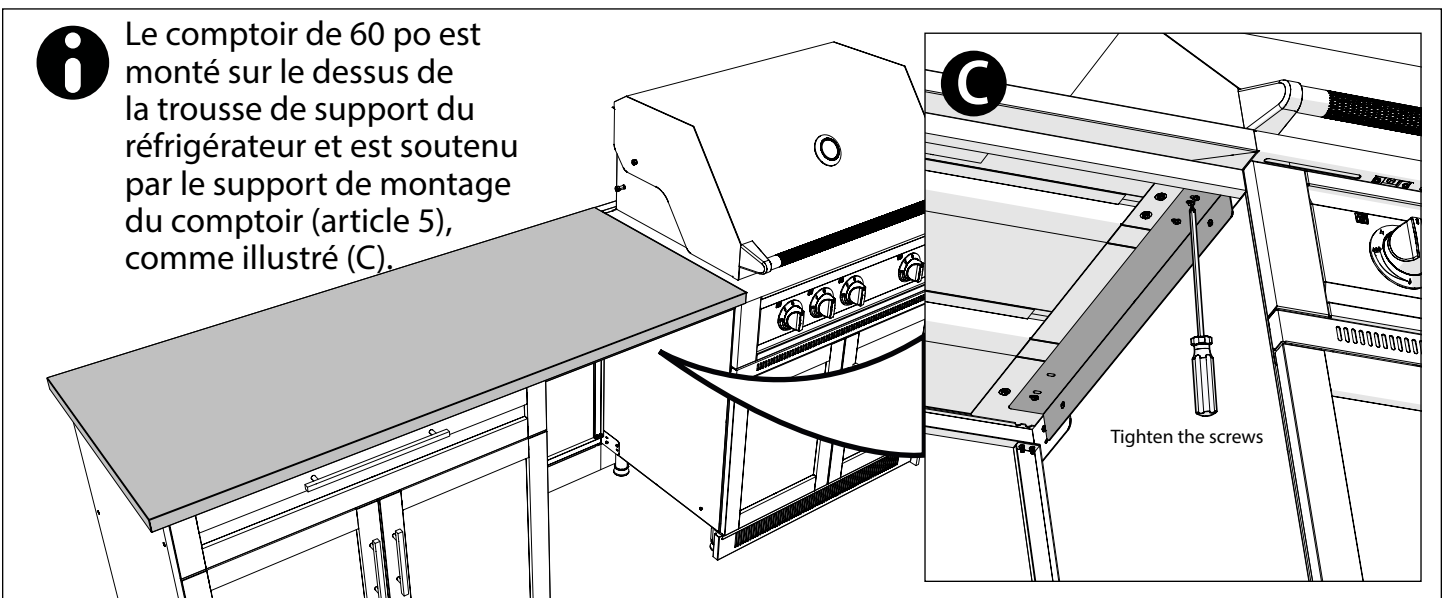
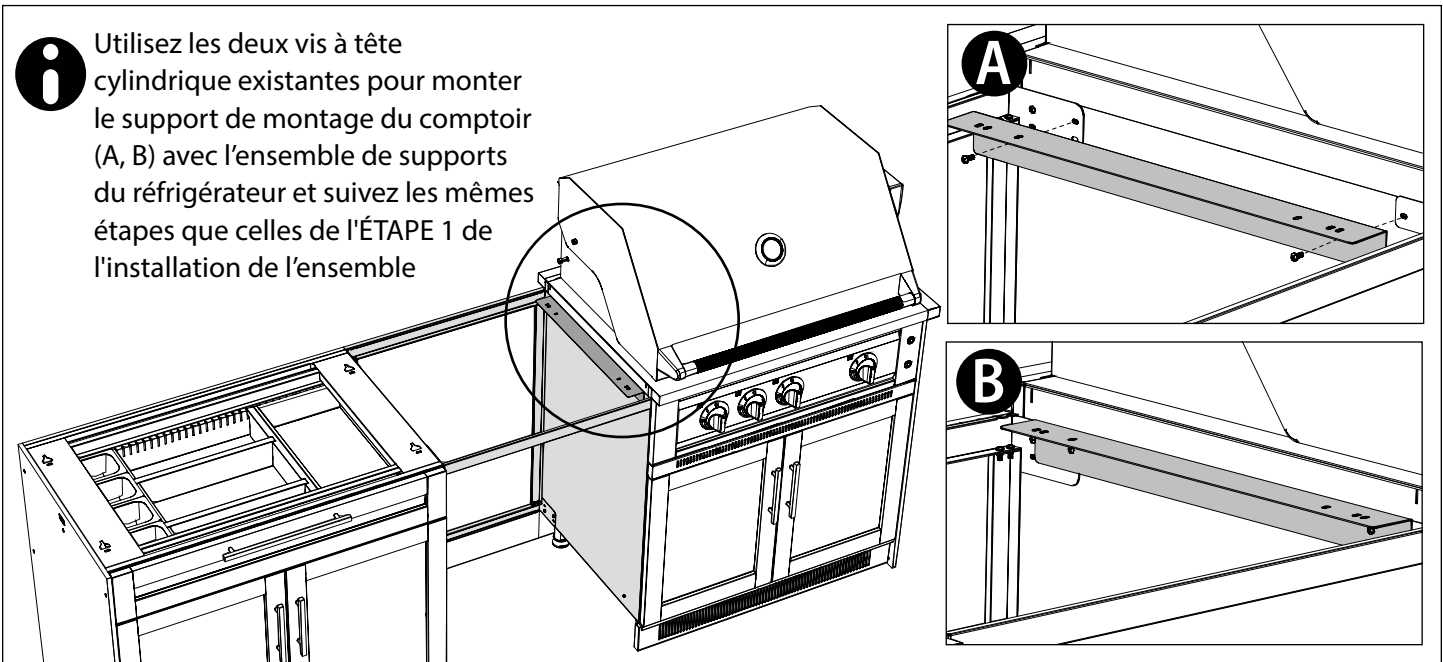


# Installation de l'ensemble de supports de réfrigérateur

**i** **REMARQUE** : Le réfrigérateur ne peut pas être situé à l'extrémité de la rangée d'armoires. Il doit toujours se trouver entre 2 armoires.

**i** **REMARQUE** : Le support de montage du comptoir (article 5) est utilisé lorsqu'une extrémité du comptoir de 60 po doit être soutenue.

**i** **REMARQUE** : L'illustration ci-dessous montre l'utilisation du support de montage de comptoir (article 5) pour la configuration de l'armoire de 36 po et du réfrigérateur. Pour savoir comment installer le comptoir au-dessus du réfrigérateur, veuillez suivre les étapes de la section sur le comptoir ci-dessous.

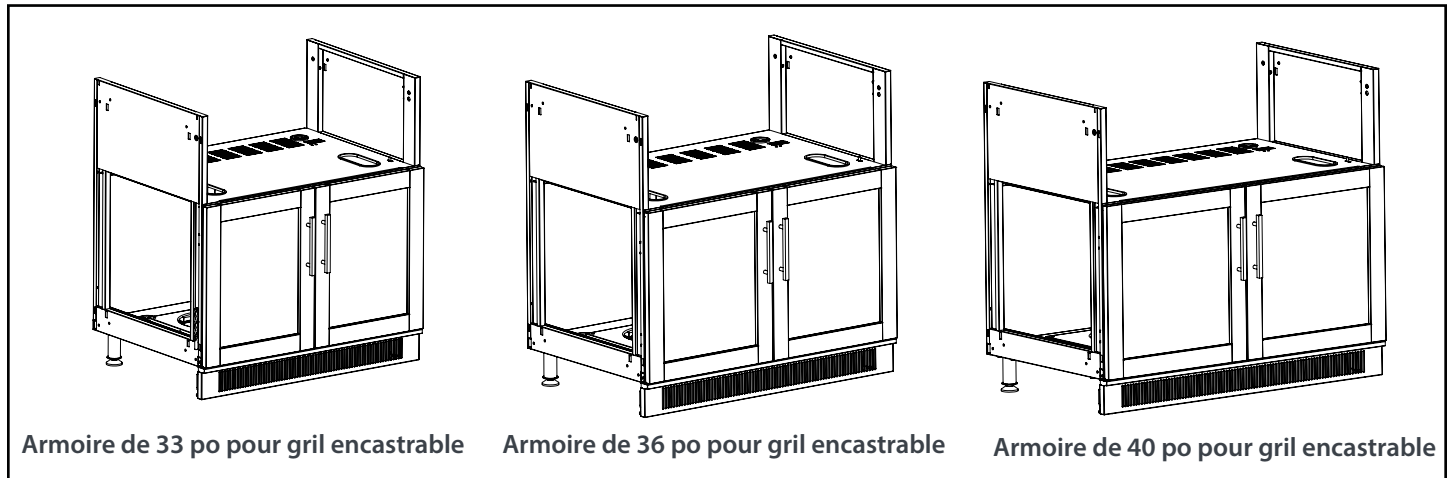


**i** **REMARQUE** : Seulement pour les comptoirs en acier inoxydable, assurez-vous d'installer les vis. Pour les comptoirs en granite, il y aura du silicone uniquement entre le support de montage et le comptoir.

# **PRÉPARATION DES ARMOIRES POUR ÉLECTROMÉNAGER**

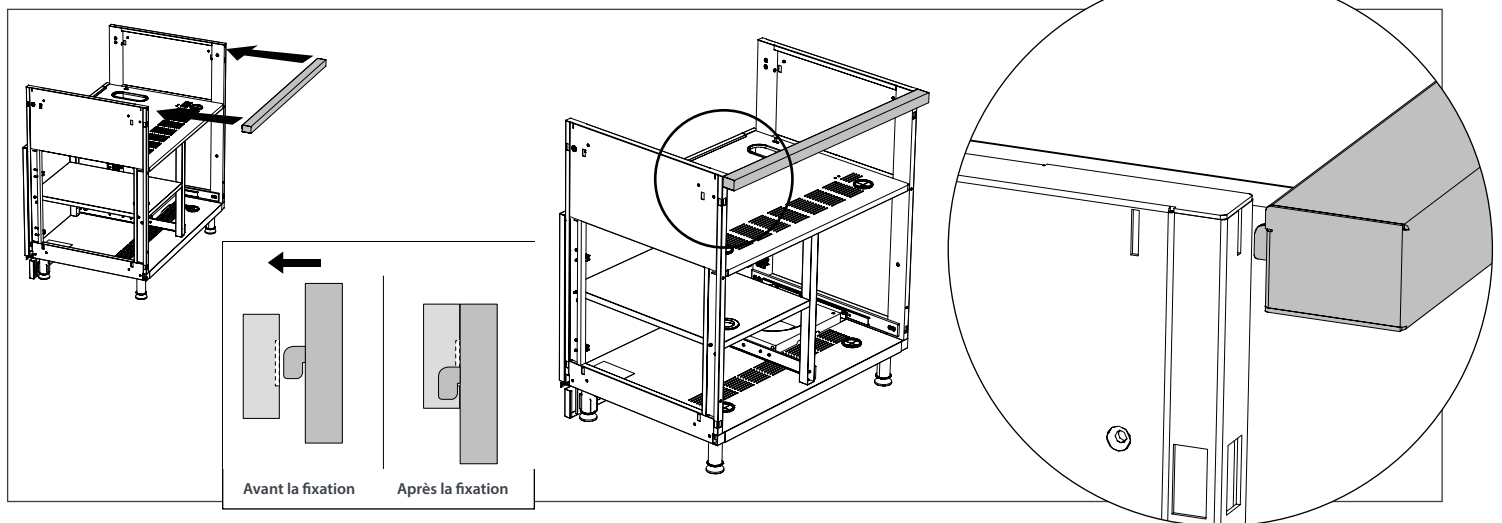
# Installation du grill encastrable

**i** Les instructions suivantes s'appliquent aux armoires ci-dessous.

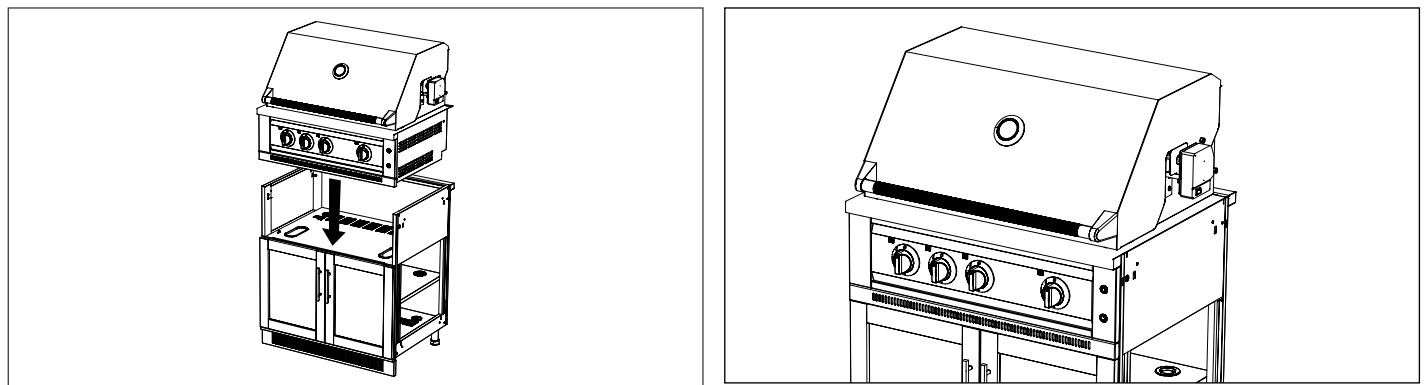


**i** **REMARQUE :** Pour installer les différentes tailles de grills ne provenant pas de NewAge, reportez-vous à la section Installation de l'ensemble de supports de remplissage dans les pages suivantes.

**1** Installez l'embout d'extrémité arrière sur l'armoire en l'enclenchant dans les fentes illustrées.

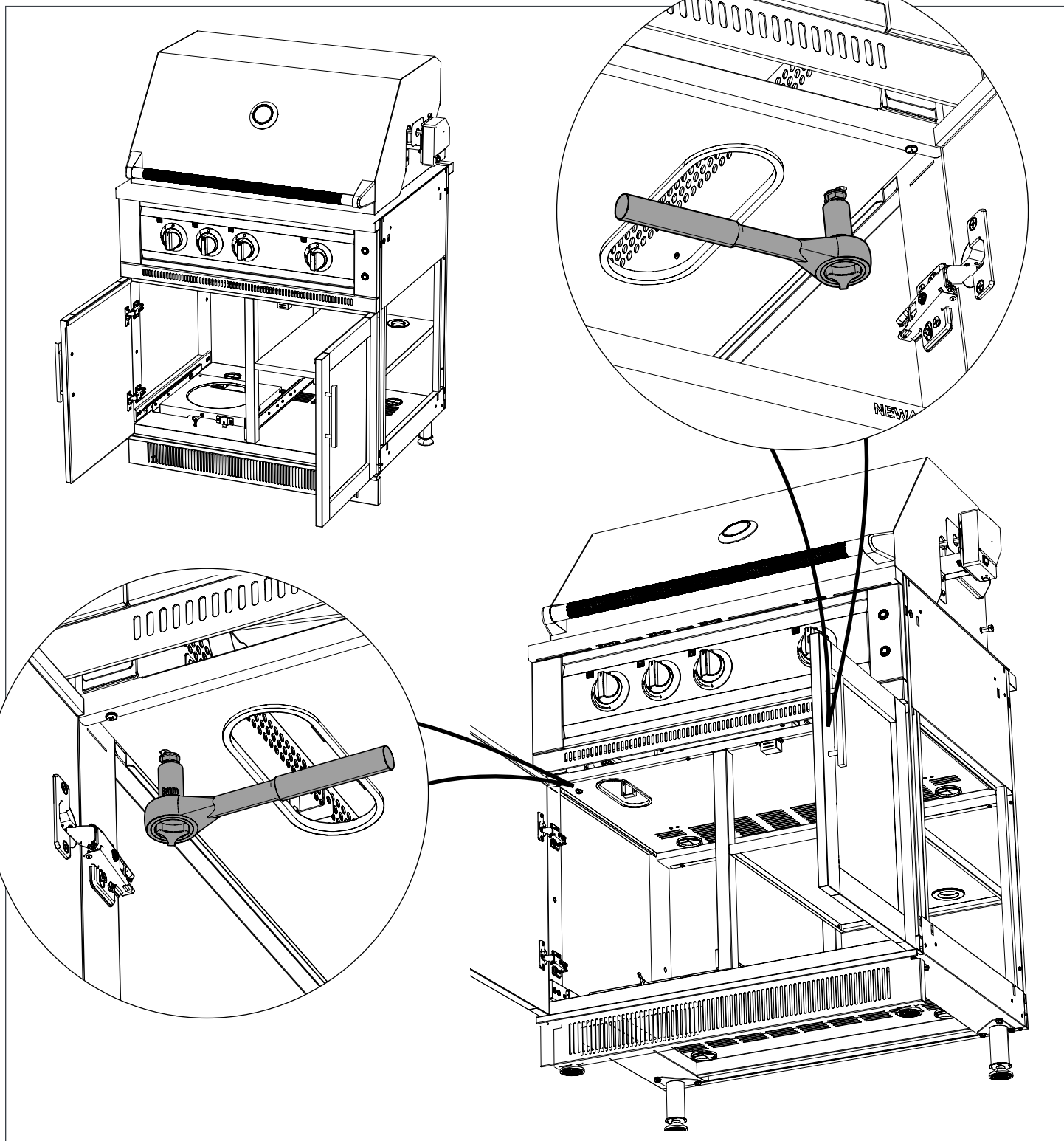


**2** Placez soigneusement le grill encastrable NewAge selon la taille de l'armoire sur le dessus de l'armoire.



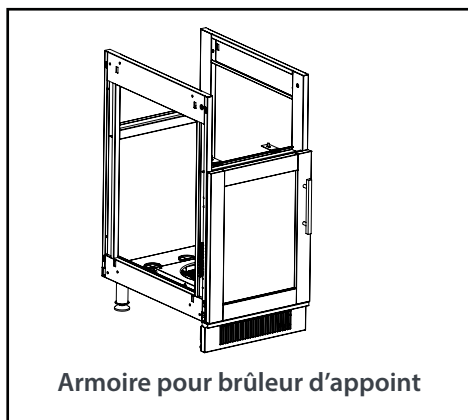
# Installation du gril encastrable

- 3** Une fois placée sur les supports latéraux de l'armoire, ouvrez les portes pour pouvoir fixer le gril sur l'armoire. Localisez les trous et installez le gril avec 2 vis à tête hexagonale à embase par le bas et fixez le gril en place.

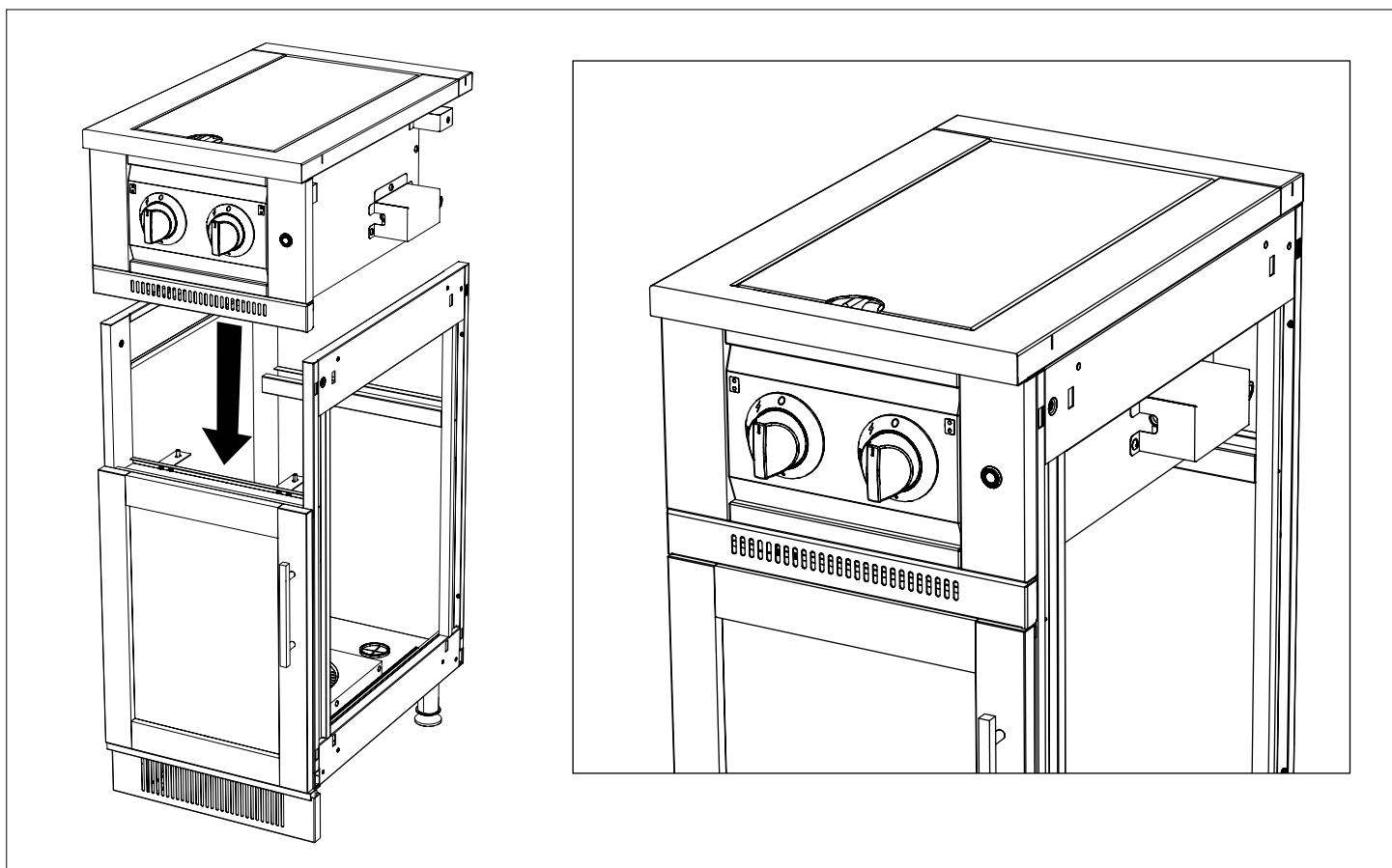


# Installation du brûleur d'appoint

**i** Les instructions suivantes s'appliquent à l'armoire ci-dessous.

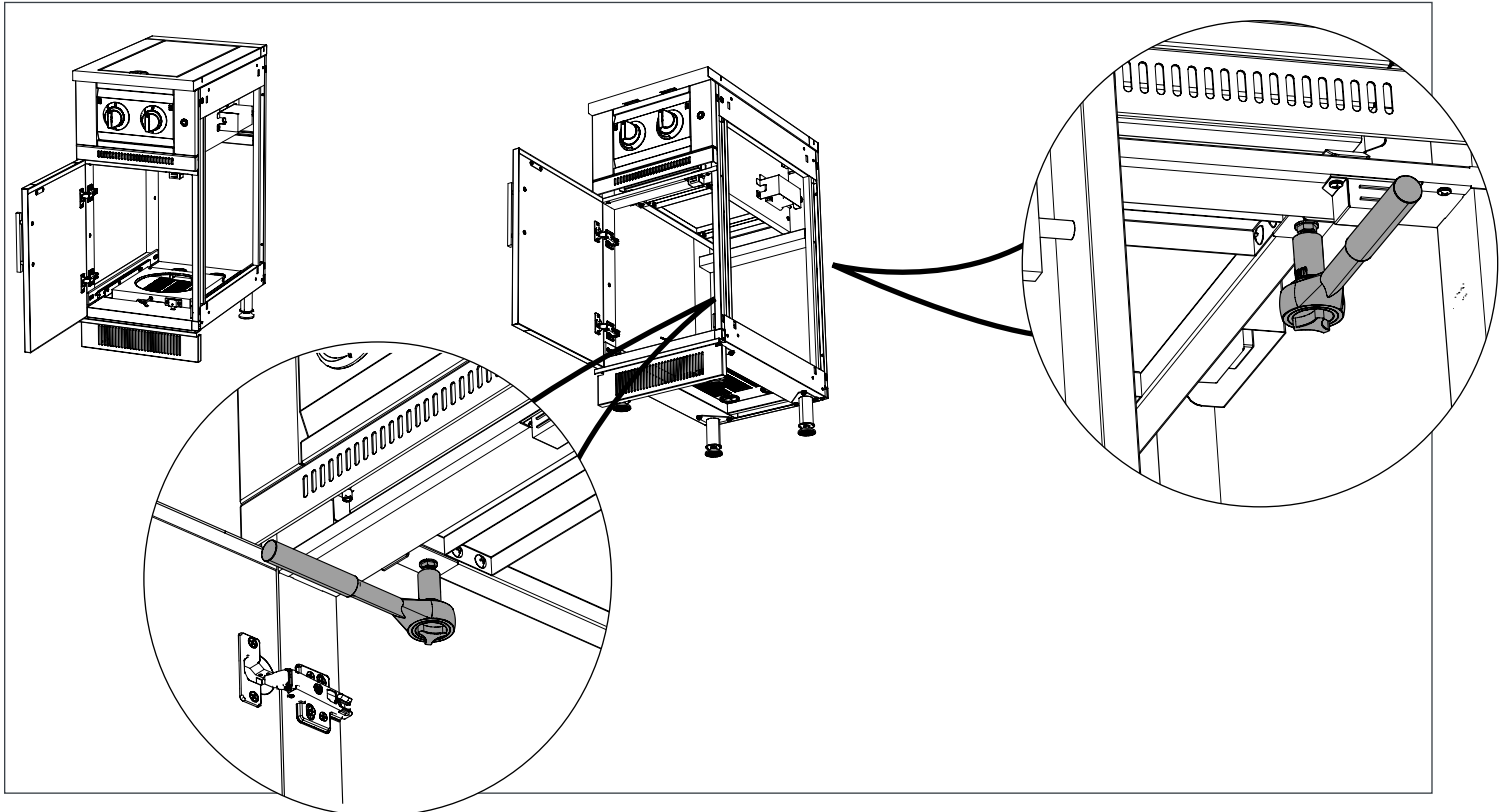


**1** Placez soigneusement le brûleur d'appoint NewAge sur le dessus de l'armoire.

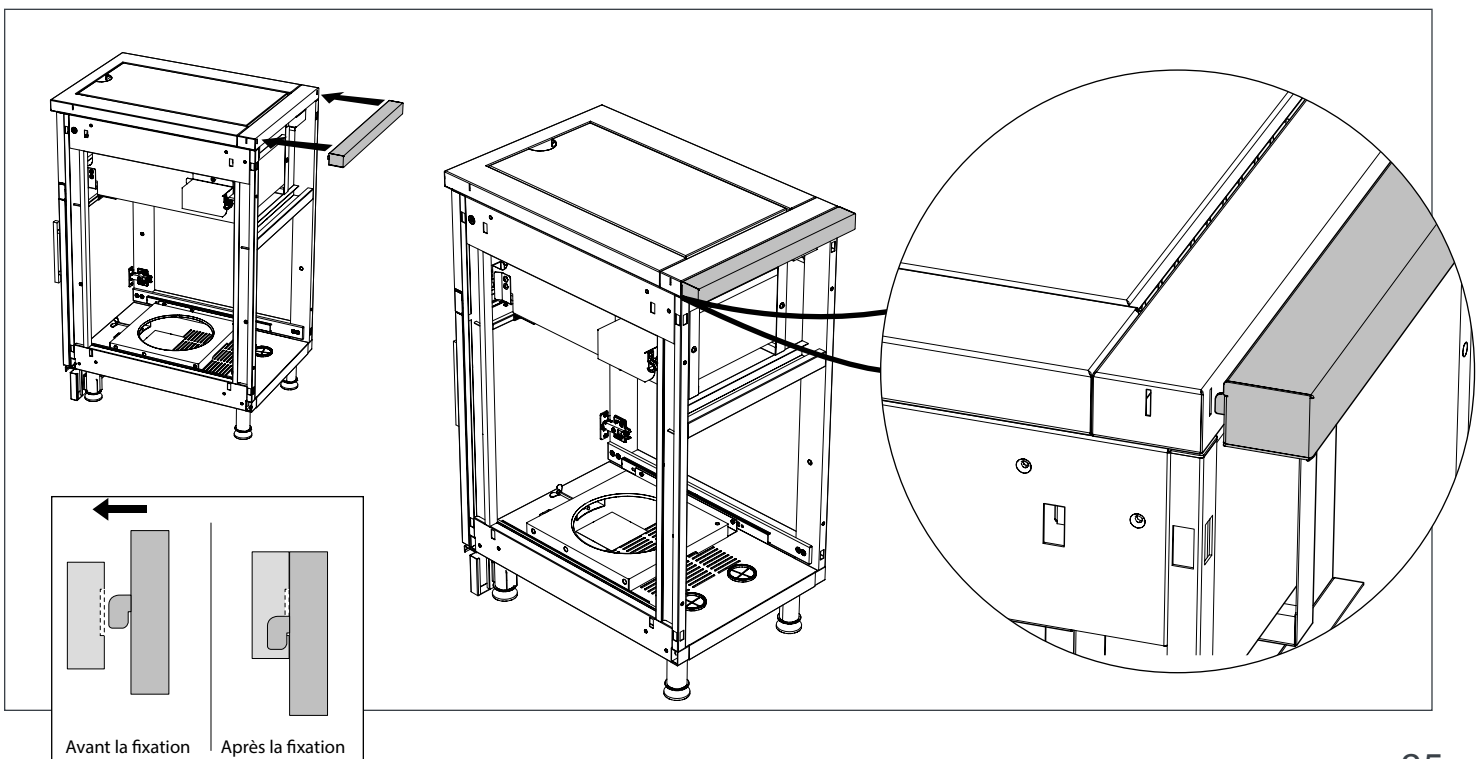


# Installation du brûleur d'appoint

- 2** Une fois placée sur les supports latéraux de l'armoire, ouvrez la porte pour pouvoir fixer le brûleur d'appoint sur l'armoire. Repérez les trous et installez le brûleur d'appoint avec 2 vis à tête hexagonale à embase par le bas et fixez-le en place.



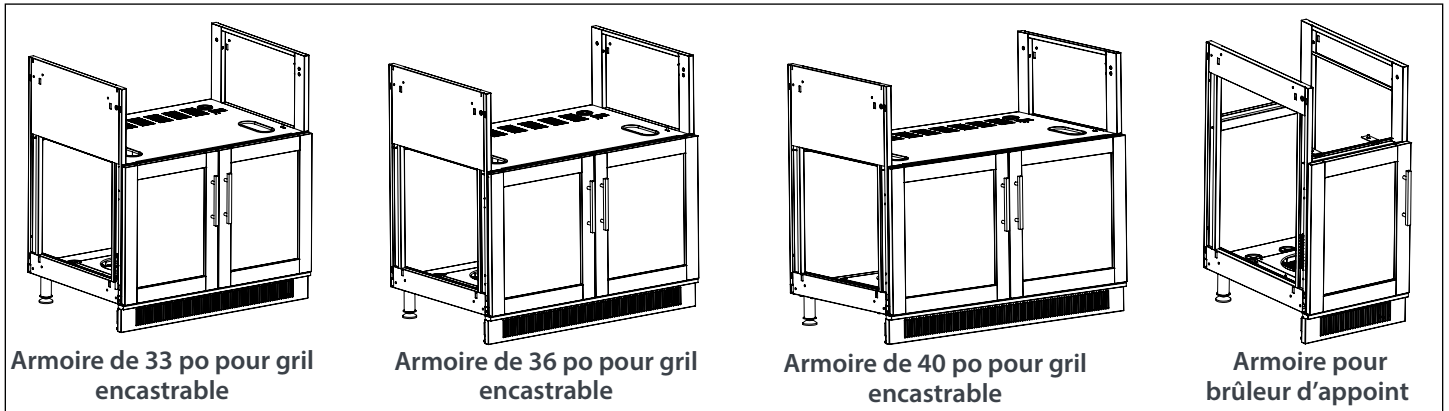
- 4** Installez l'embout d'extrémité arrière sur le dessus du brûleur d'appoint en l'enclenchant dans les fentes illustrées.



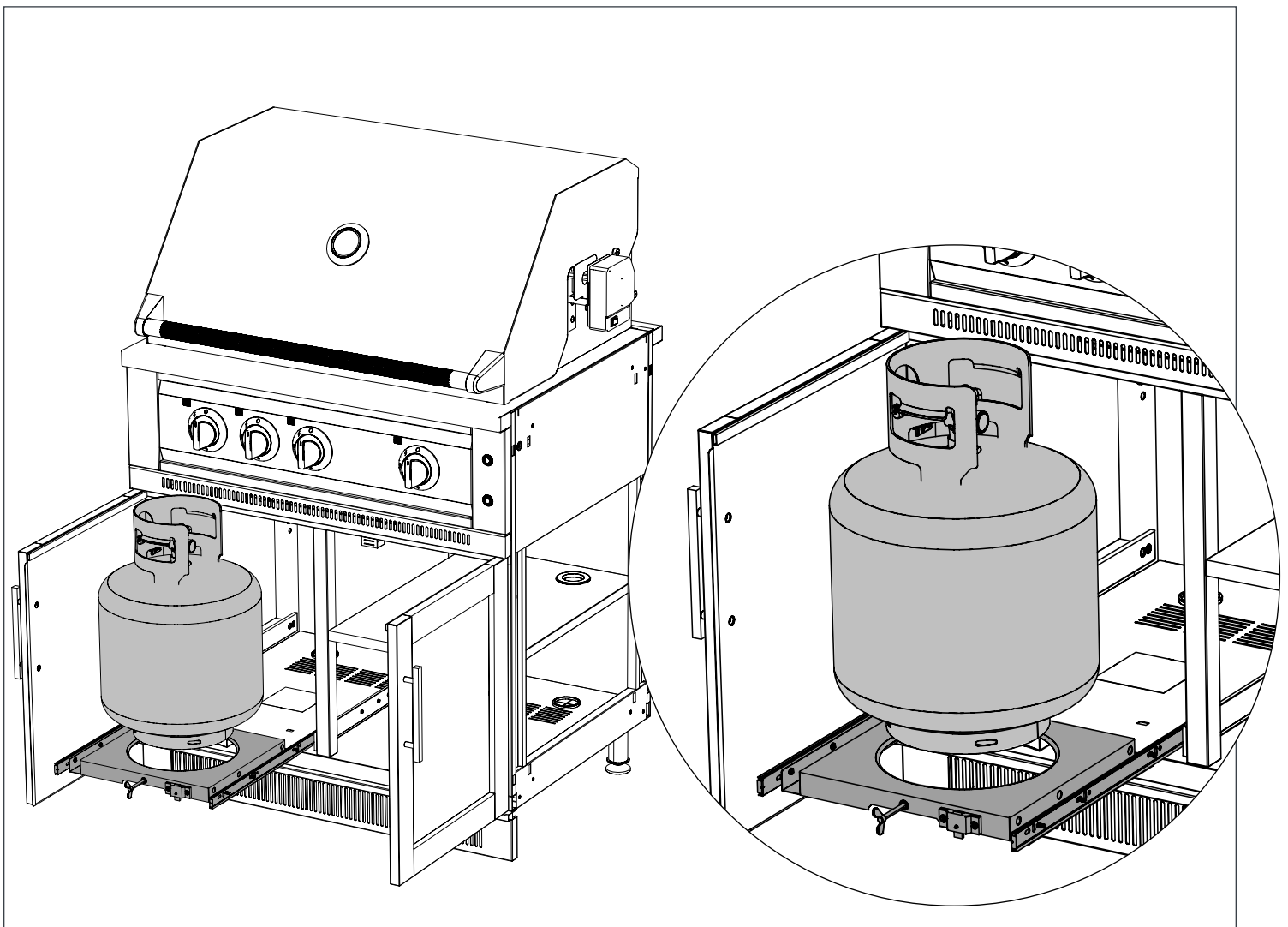


# Installation de la bouteille de gaz

**i** Les instructions suivantes s'appliquent aux armoires ci-dessous.



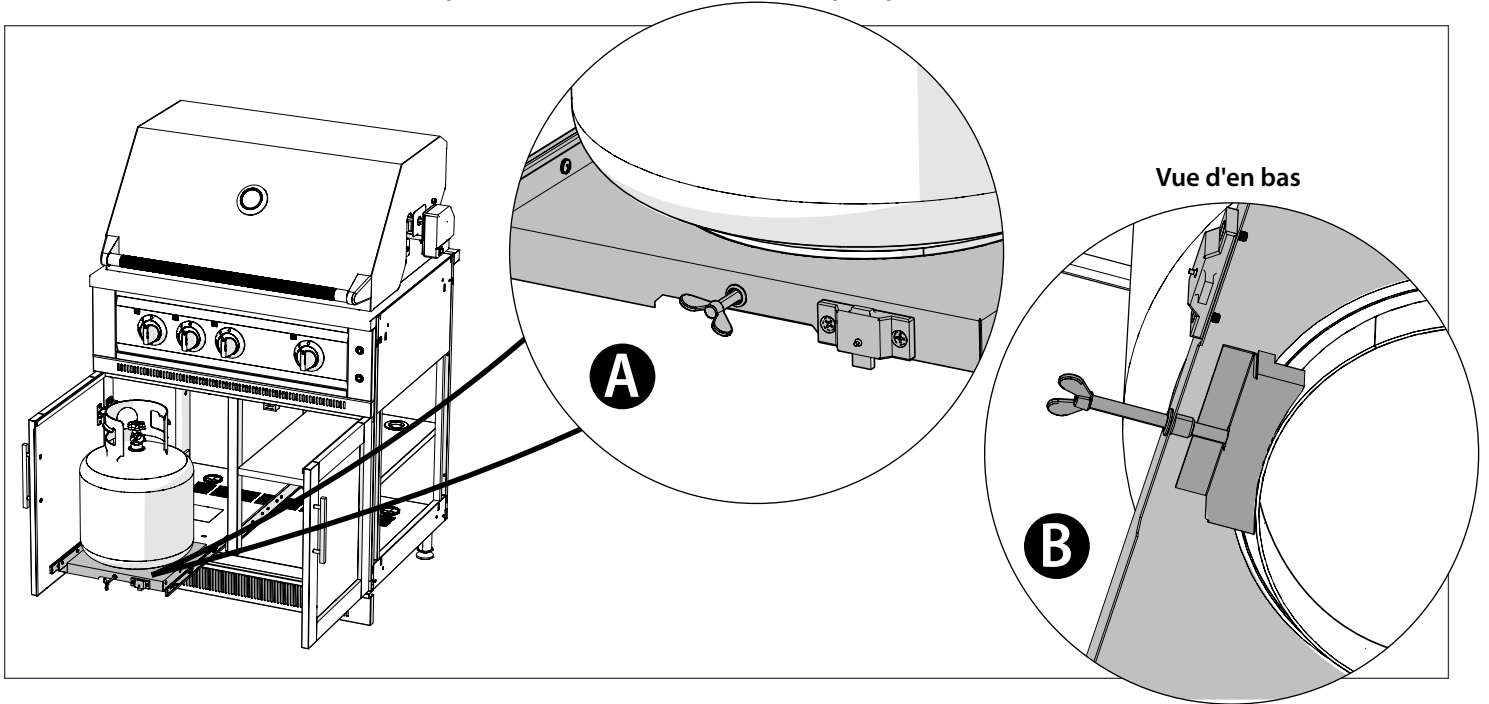
**1** Ouvrez la porte de l'armoire, sortez le plateau de la bouteille de propane et placez la bouteille de propane dans l'anneau du plateau.



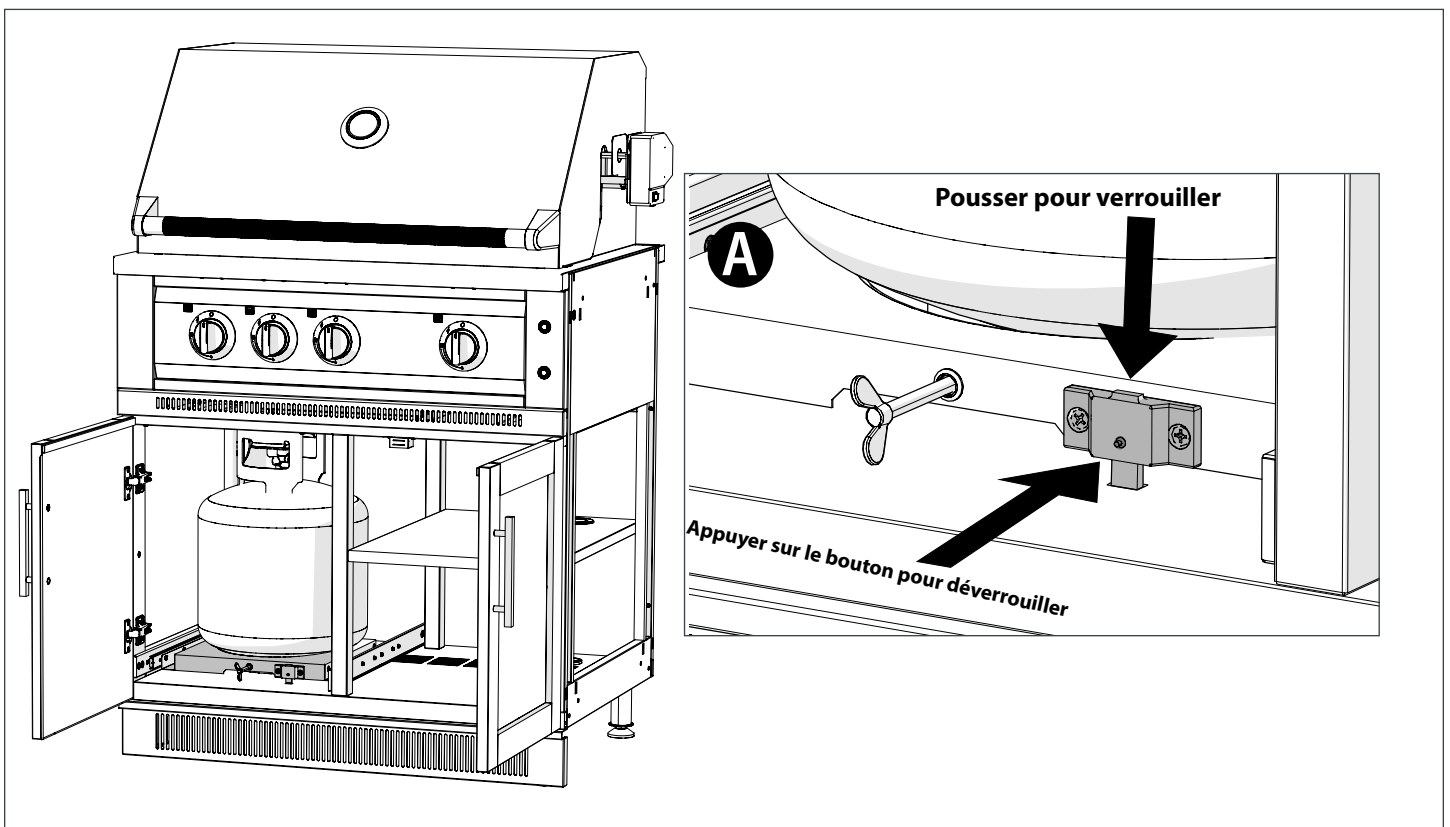


# Installation du réservoir de gaz

- 2** Tournez le boulon à écrou à ailettes (A) jusqu'à ce que le collier de serrage s'engage (B) avec le bas de l'anneau pour fixer la bouteille de propane.

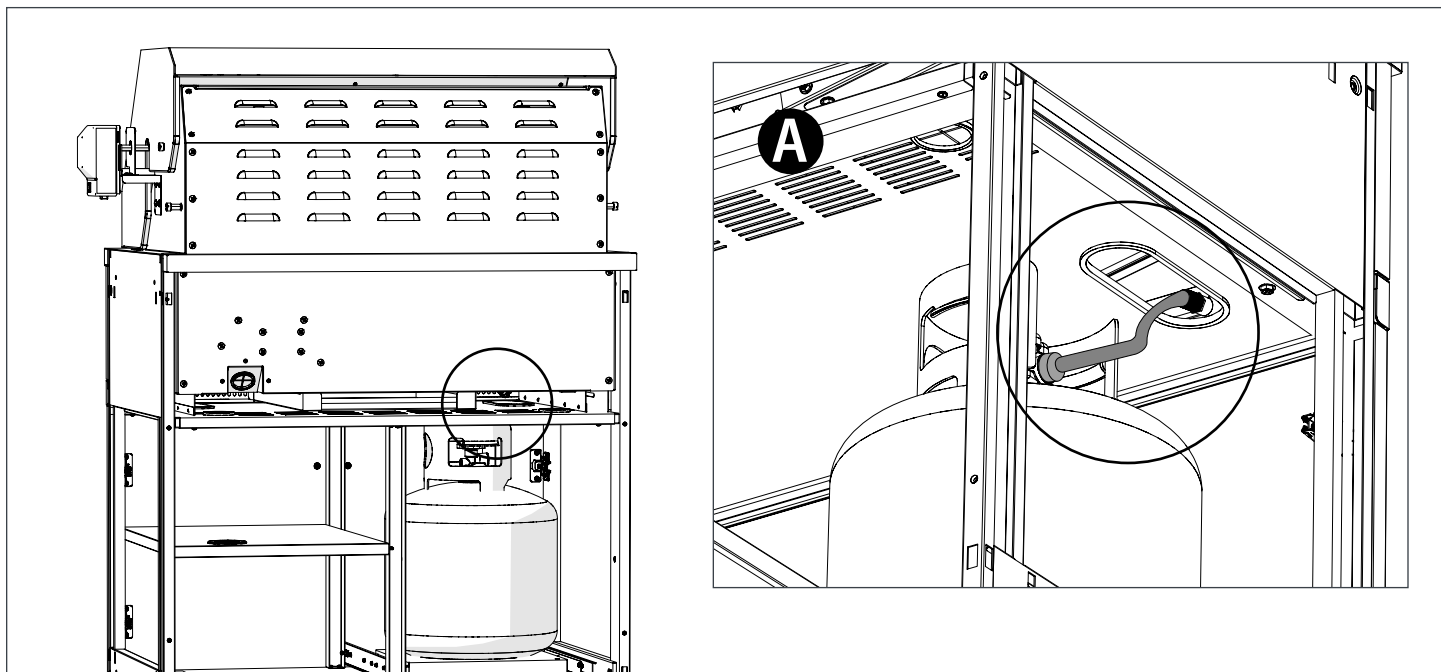


- 3** Repoussez soigneusement le réservoir et le plateau dans leur position initiale. Verrouillez le plateau de la bouteille en poussant le verrou (A) vers le bas. Appuyez sur le bouton de libération pour déverrouiller.

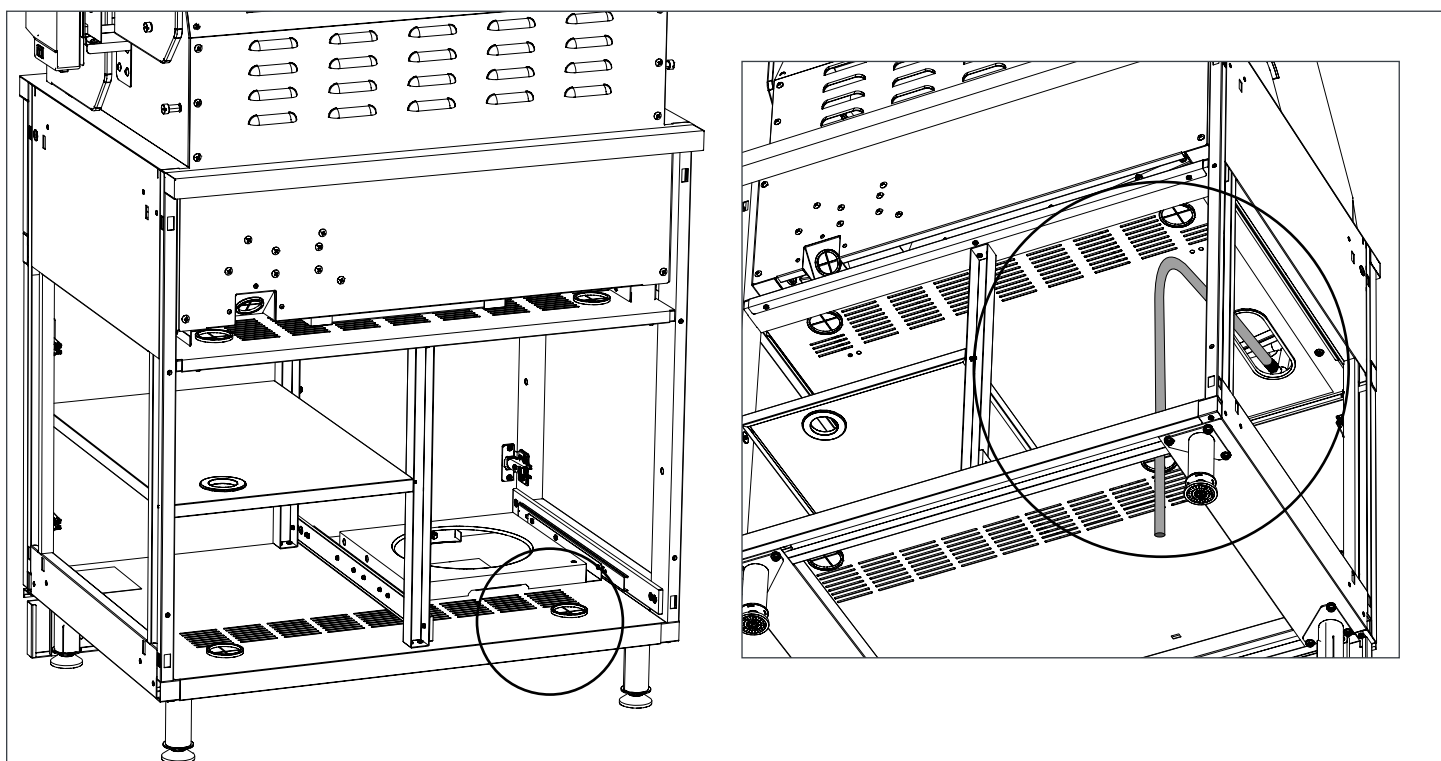


# Installation des canalisations électriques et de gaz

- 1** Connectez la conduite de gaz de la bouteille de propane à travers le trou supérieur de l'armoire (A).

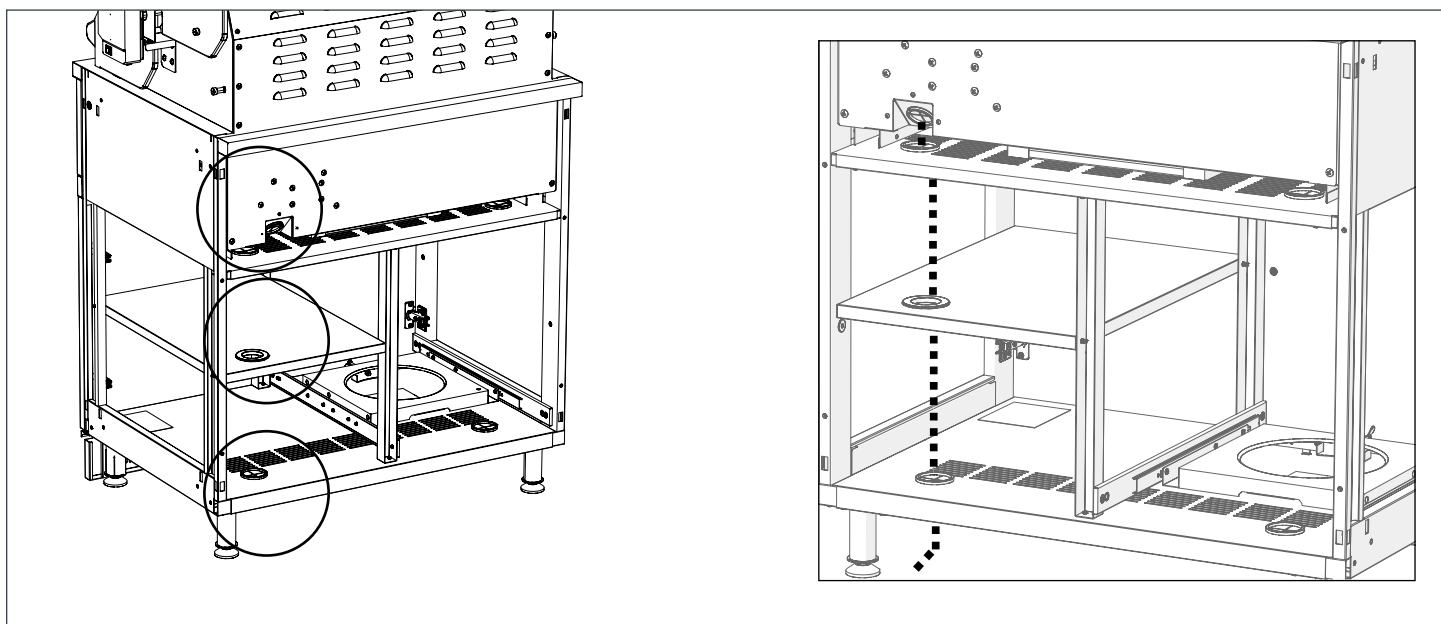


- 2** Si vous utilisez une canalisation de gaz naturel, utilisez les trous et les passe-fils montés sur le dessus et la base de l'armoire selon vos besoins.



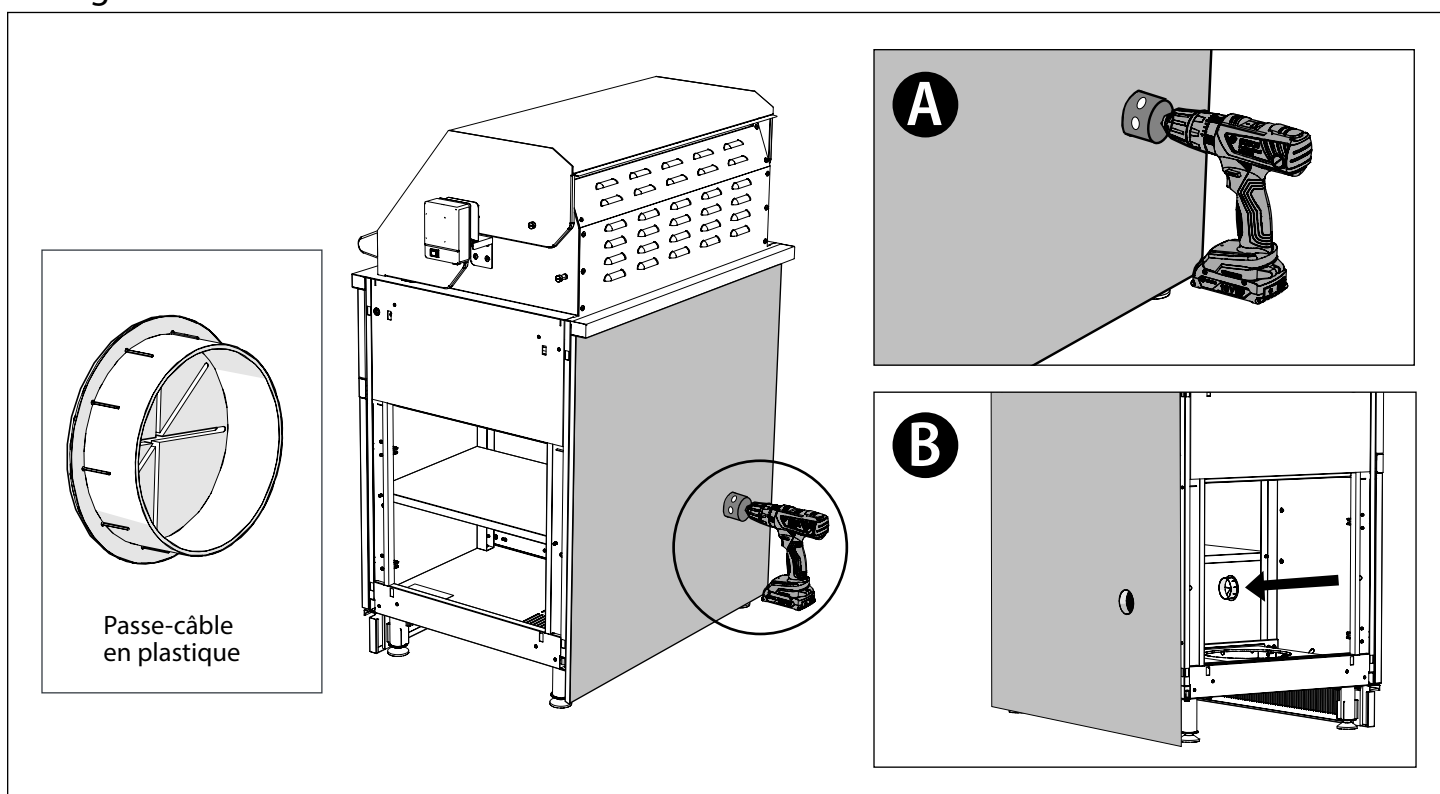
# Installation des canalisations électriques et de gaz

- 3** Connectez la canalisation électrique de l'appareil à l'unité d'alimentation à travers les trous indiqués selon vos besoins.



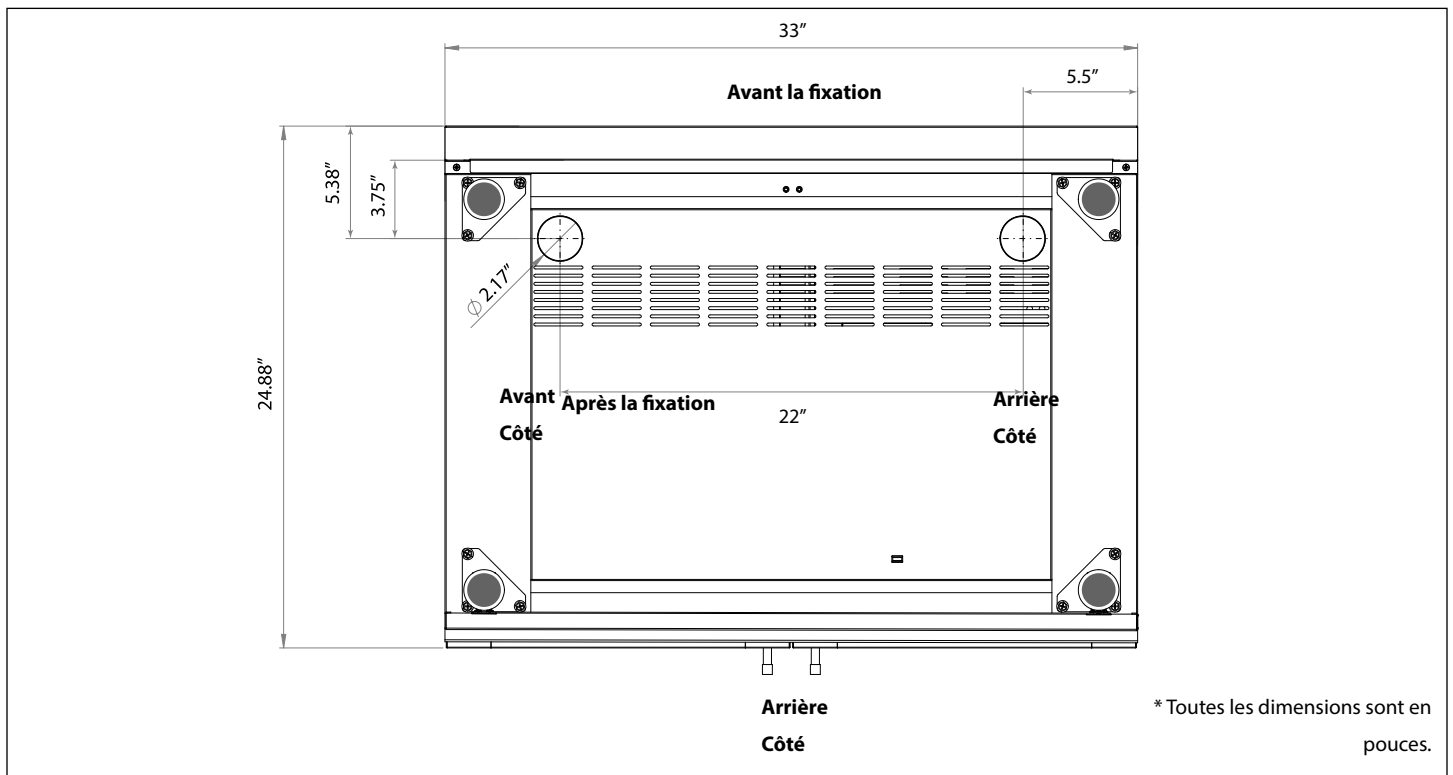
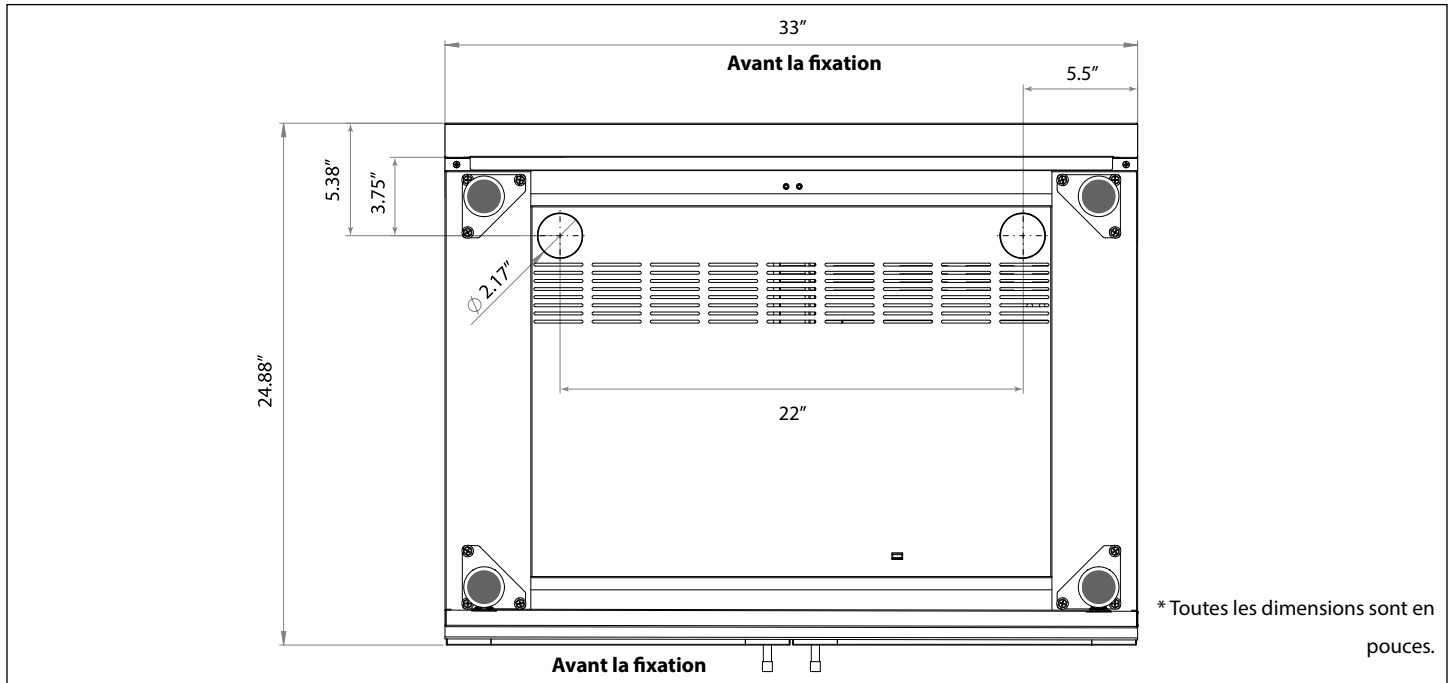
Un passe-fil extensible supplémentaire est fourni au cas où vous auriez besoin de raccorder des canalisations d'électricité et de gaz verticalement à travers le panneau arrière en fibrociment et la pierre de finition.

- 4** Utilisez une scie à trous diamantée (A) pour découper le panneau en fibrociment et la pierre de finition, et installez le passe-fil extensible supplémentaire (B) fourni à un endroit approprié selon vos besoins pour le passage des canalisations électriques ou de gaz.

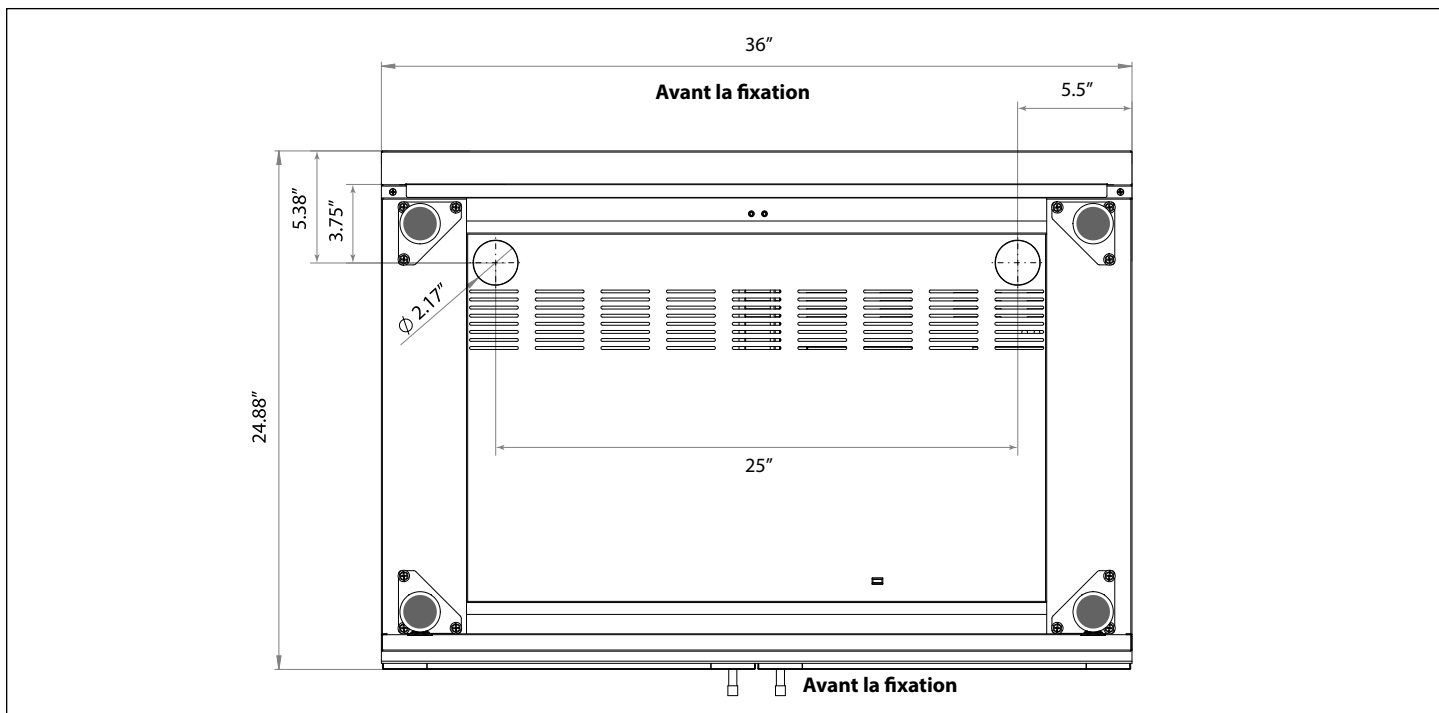


# Installation des canalisations électriques et de gaz

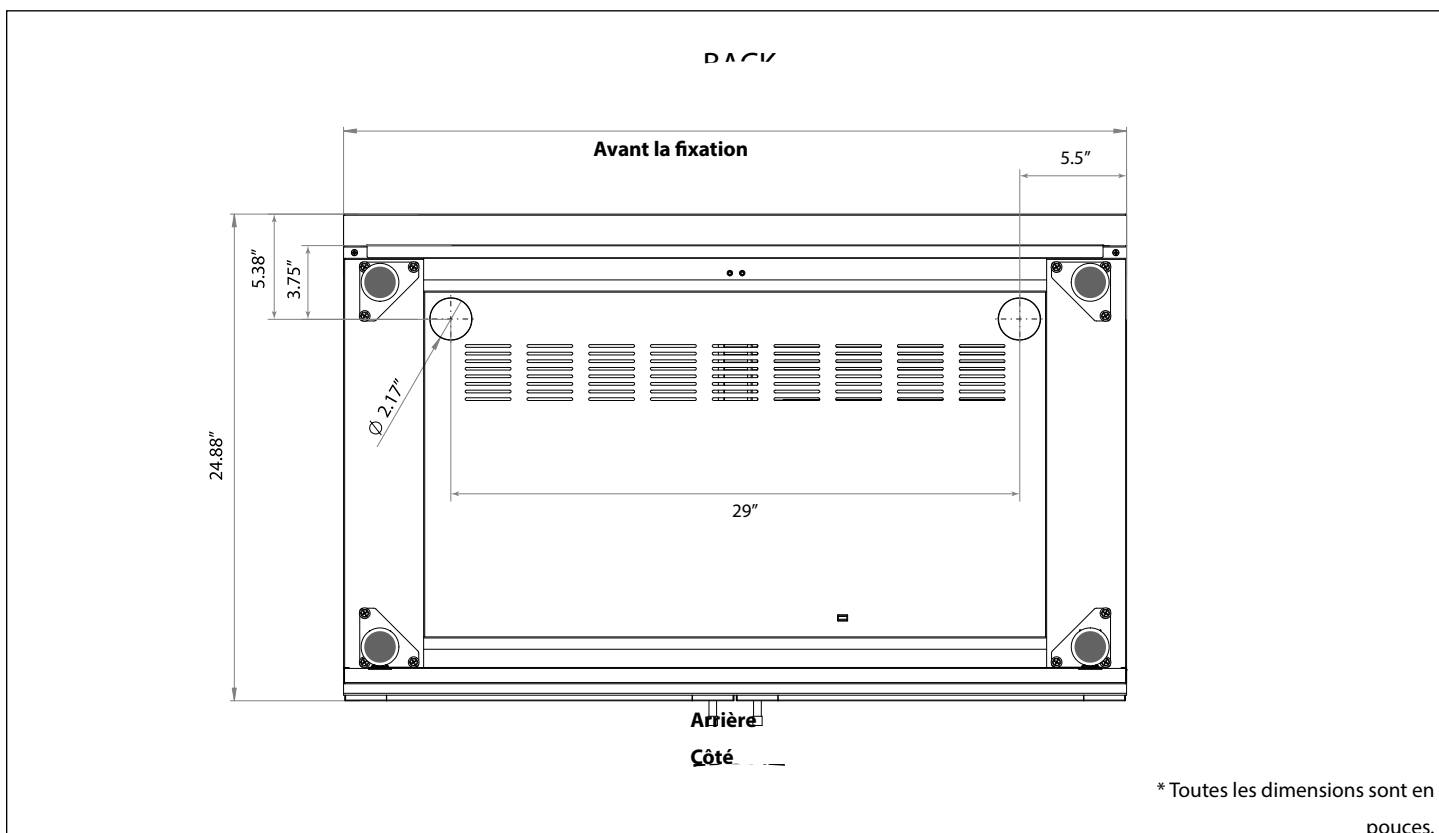
**REMARQUE :** Les schémas suivants montrent la vue inférieure de l'armoire à double brûleur d'appoint et de l'armoire à grill encastrable pour comprendre l'emplacement des trous d'accès au gaz et à l'électricité dans le bas.



# Installation des canalisations électriques et de gaz



\* Toutes les dimensions sont en  
pouces.

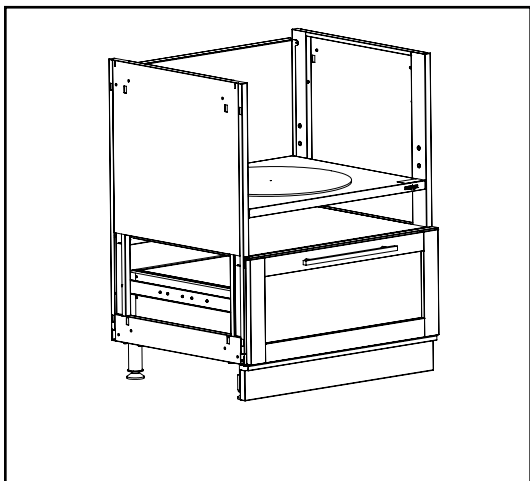


\* Toutes les dimensions sont en  
pouces.

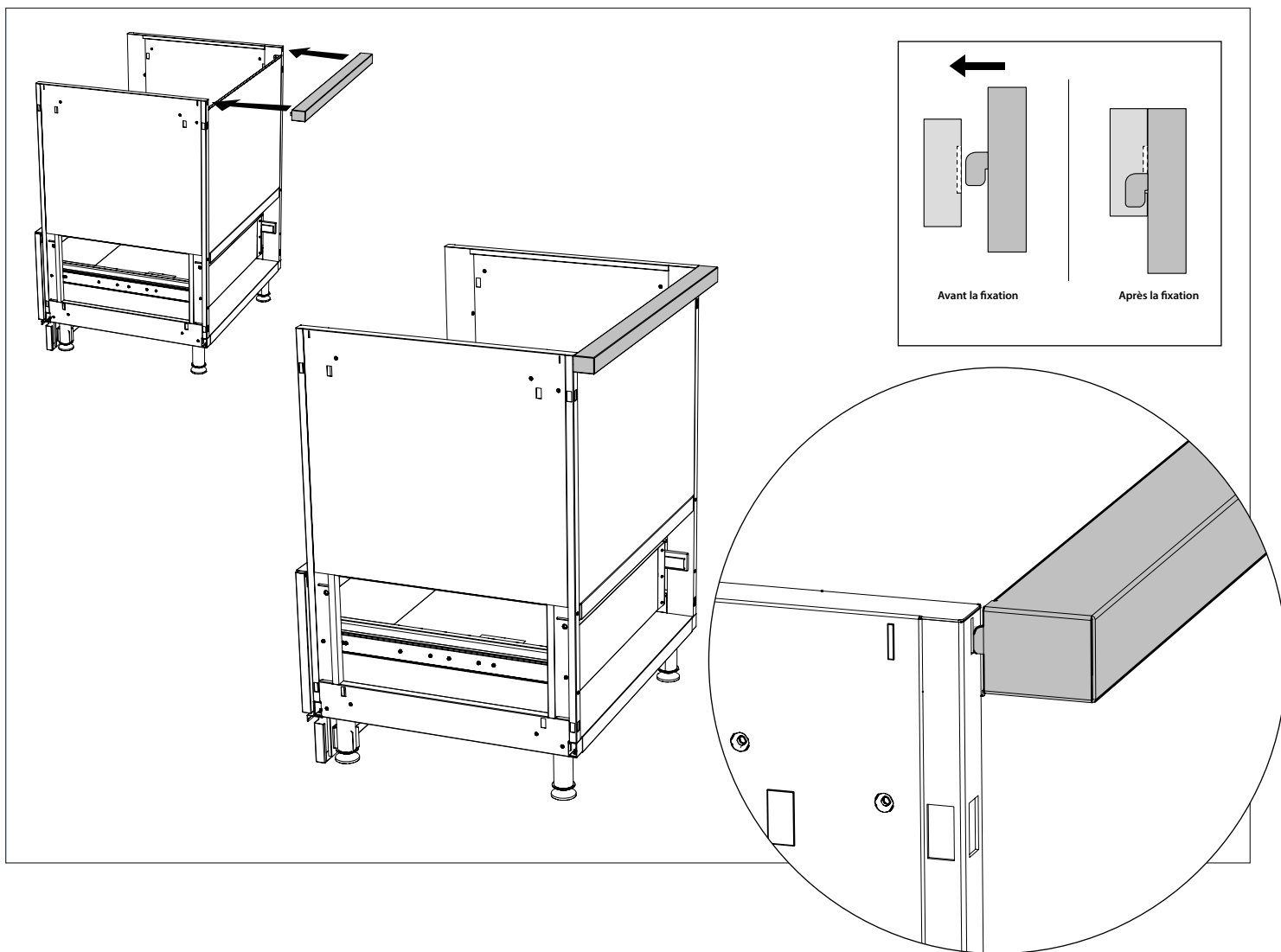
# Préparation des armoires pour Kamado



Les instructions suivantes s'appliquent à l'armoire ci-dessous.



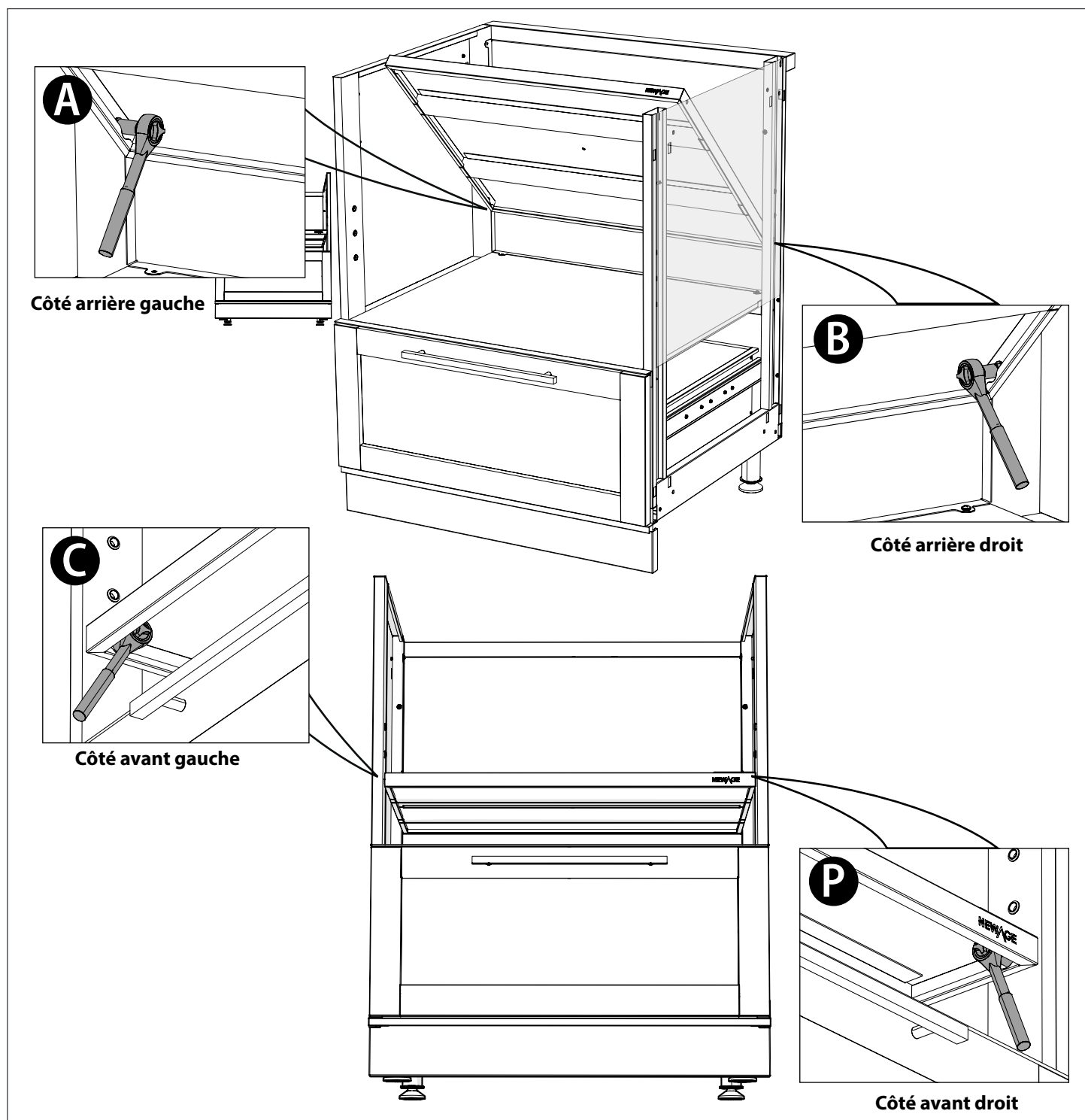
**1** Installez l'embout d'extrémité arrière sur l'armoire en l'enclenchant dans les fentes illustrées.



# Préparation des armoires pour Kamado

**2** Serrez les boulons avec une clé à douille sur les quatre côtés après avoir fixé la hauteur de la tablette de l'armoire. Soulevez d'abord le côté avant de la tablette et mettez les deux boulons sur les côtés arrière gauche et droit de l'armoire (A,B). Placez ensuite les deux autres boulons sur les faces avant gauche et droite de l'armoire (C,D).

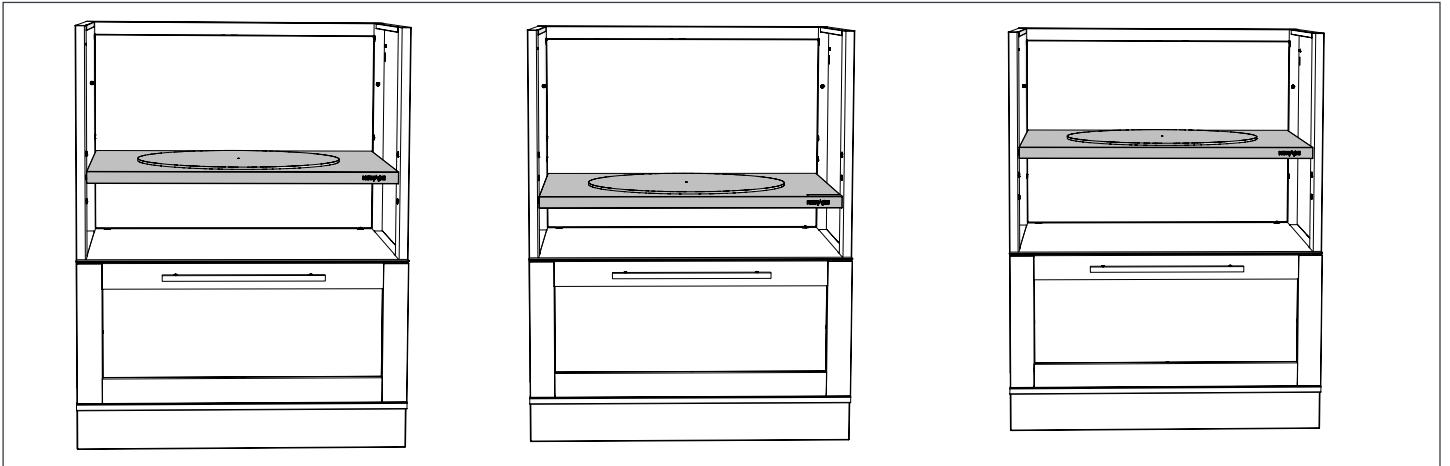
**i** **REMARQUE** : L'armoire est livrée avec la tablette installée et elle peut être ajustée selon les instructions données dans cette ÉTAPE.



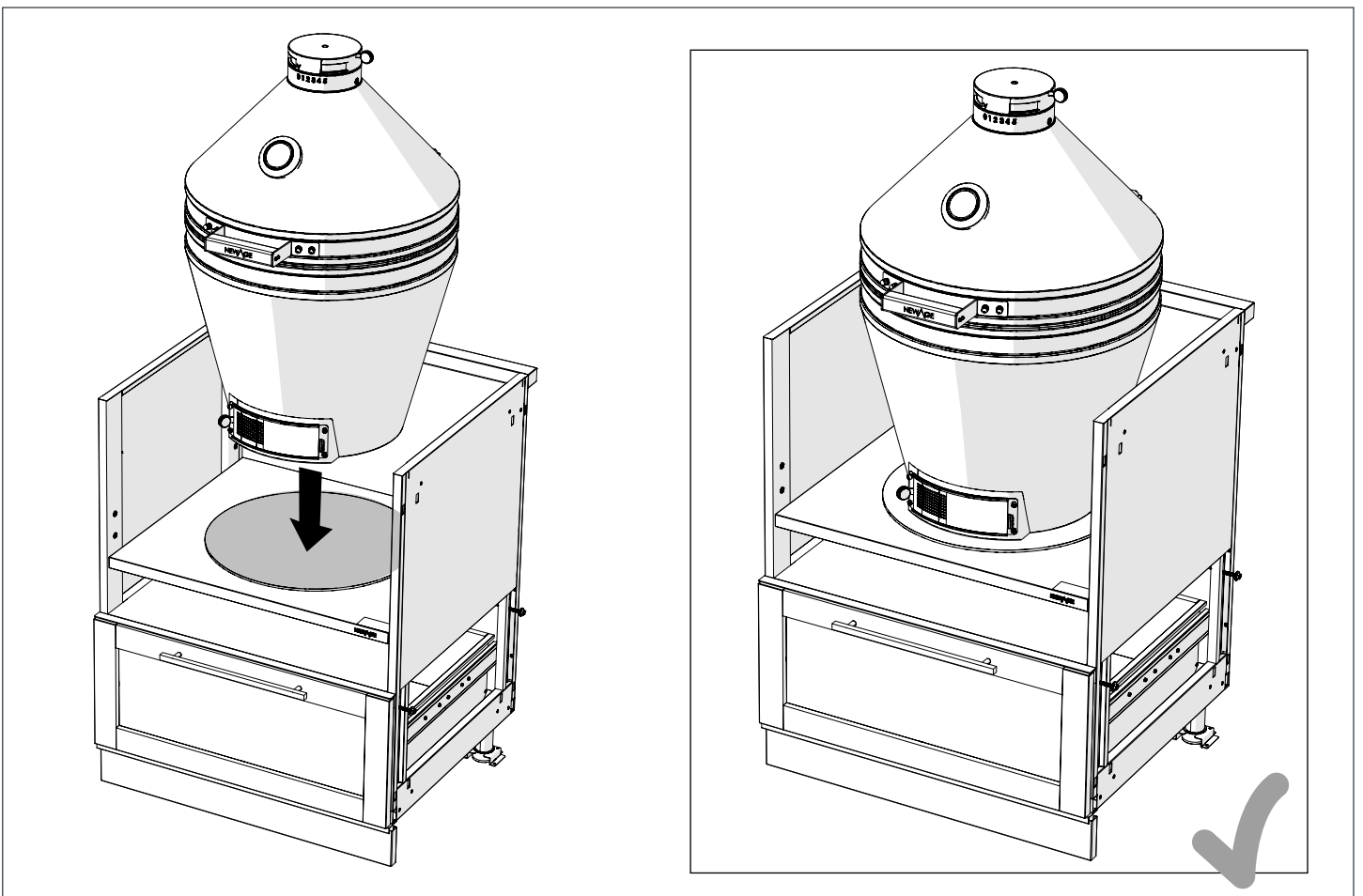
# Préparation des armoires pour Kamado

**3** Réglez la hauteur de la tablette de l'armoire en fonction de vos besoins en retirant et en fixant les boulons fixés conformément à l'ÉTAPE précédente.

**i** **REMARQUE** : Pour le gril Kamado de NewAge, la tablette doit être réglée au niveau le plus bas. Les positions supérieures sont destinées aux grils Kamado de plus petite taille.



**4** Placez le tapis à alvéoles sur la tablette d'armoire, puis placez le gril Kamado dessus.

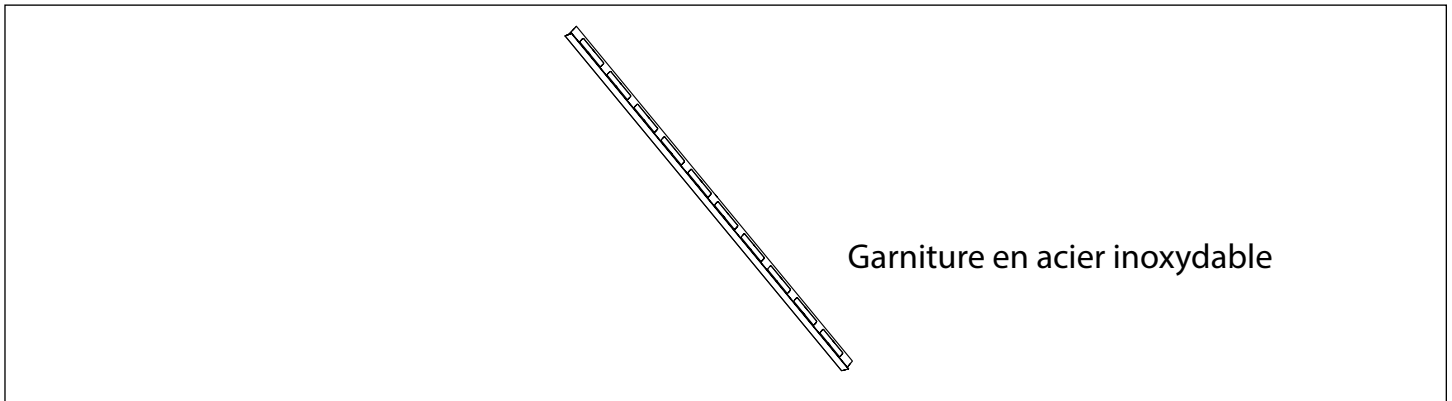




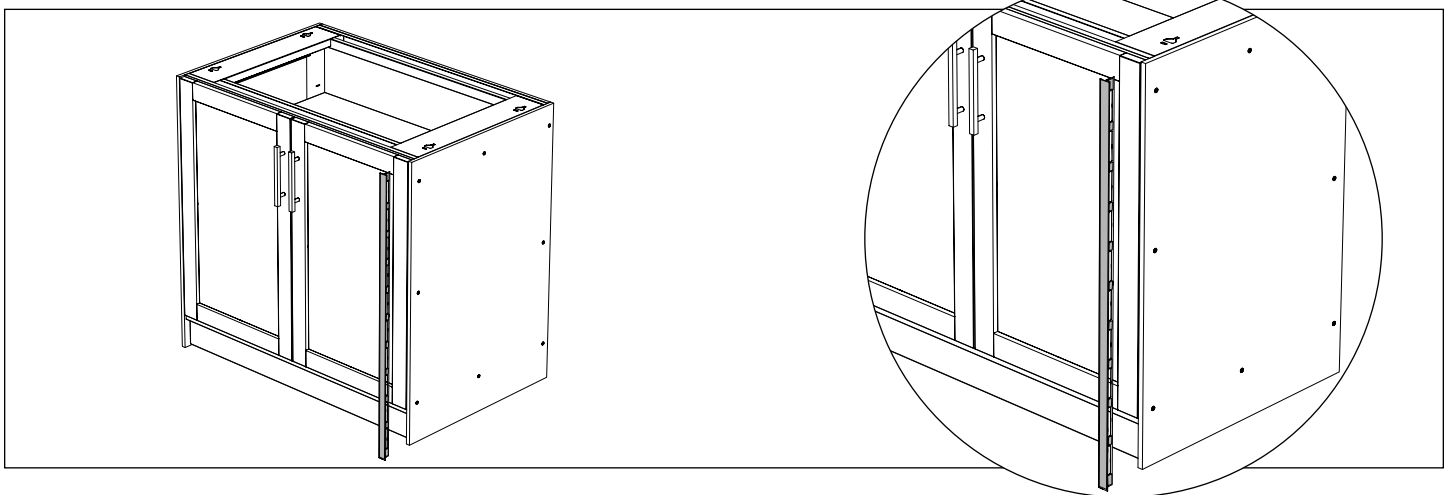
# **INSTALLATION DE LA GARNITURE POUR PANNEAUX EN FIBROCIMENT**

# Garniture pour panneaux en fibrociment

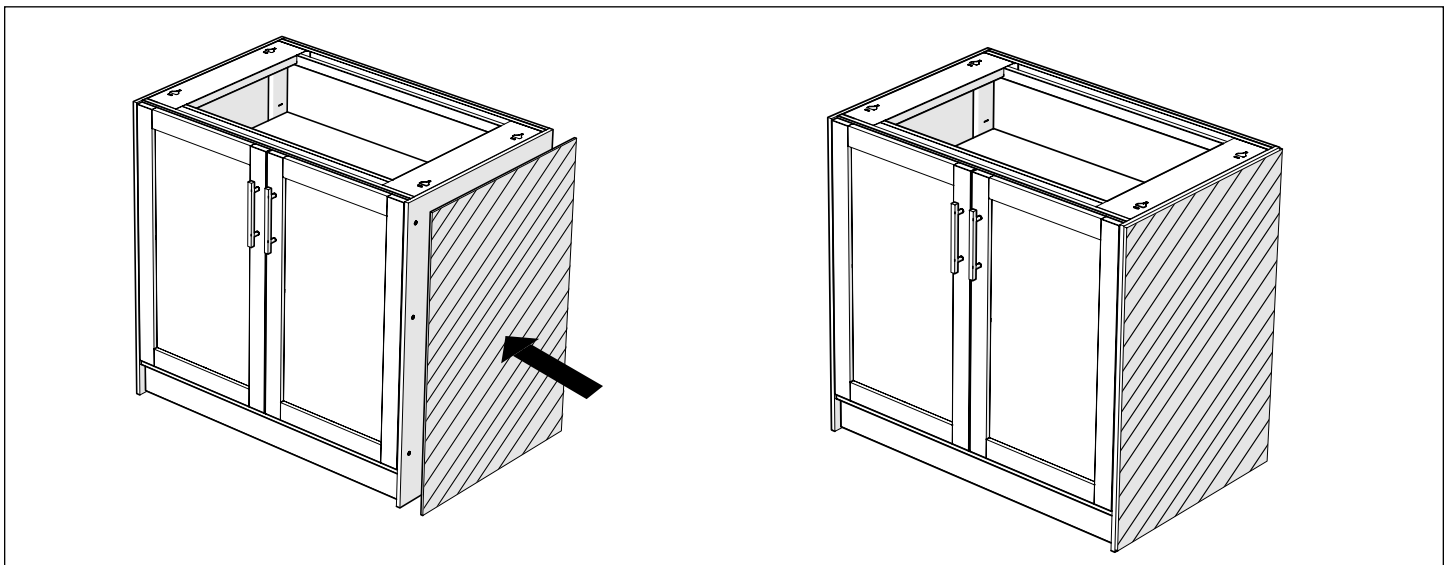
**i** Pièces requises.



**1** La garniture est utilisée pour couvrir le bord coupé exposé du panneau en fibrociment

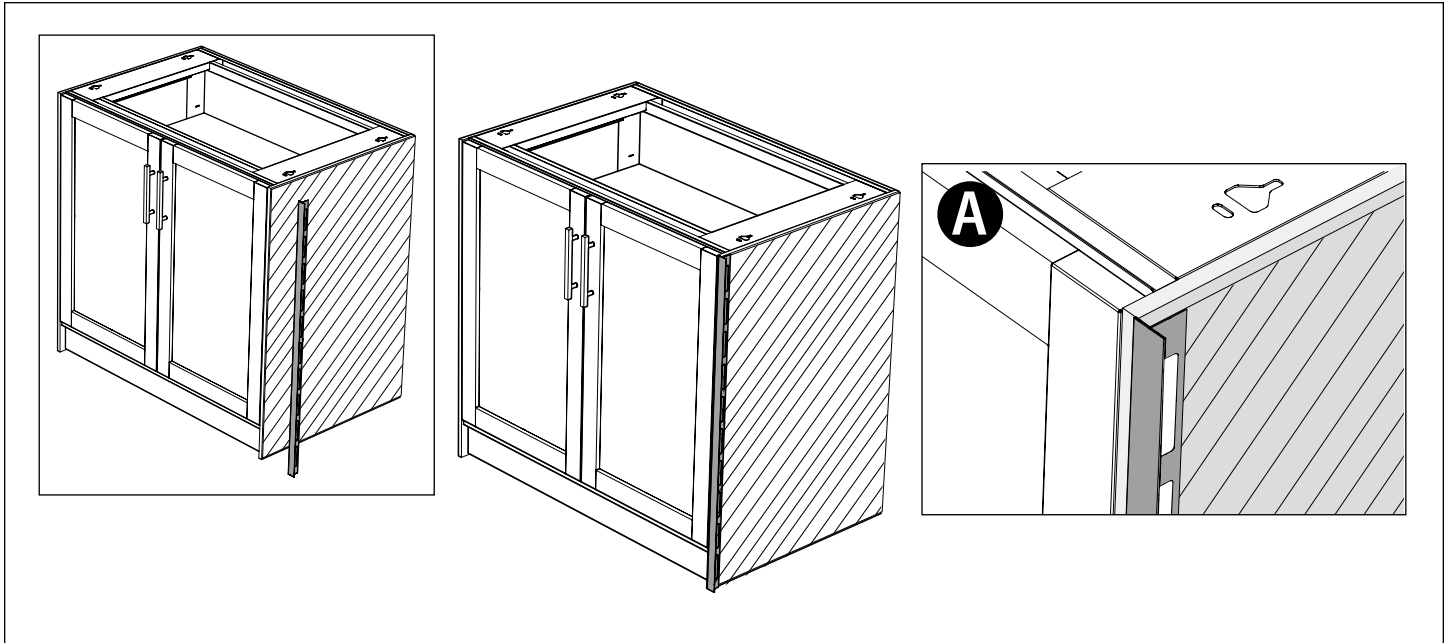


**2** Appliquez d'abord la couche de mortier uniformément sur le panneau en fibrociment.

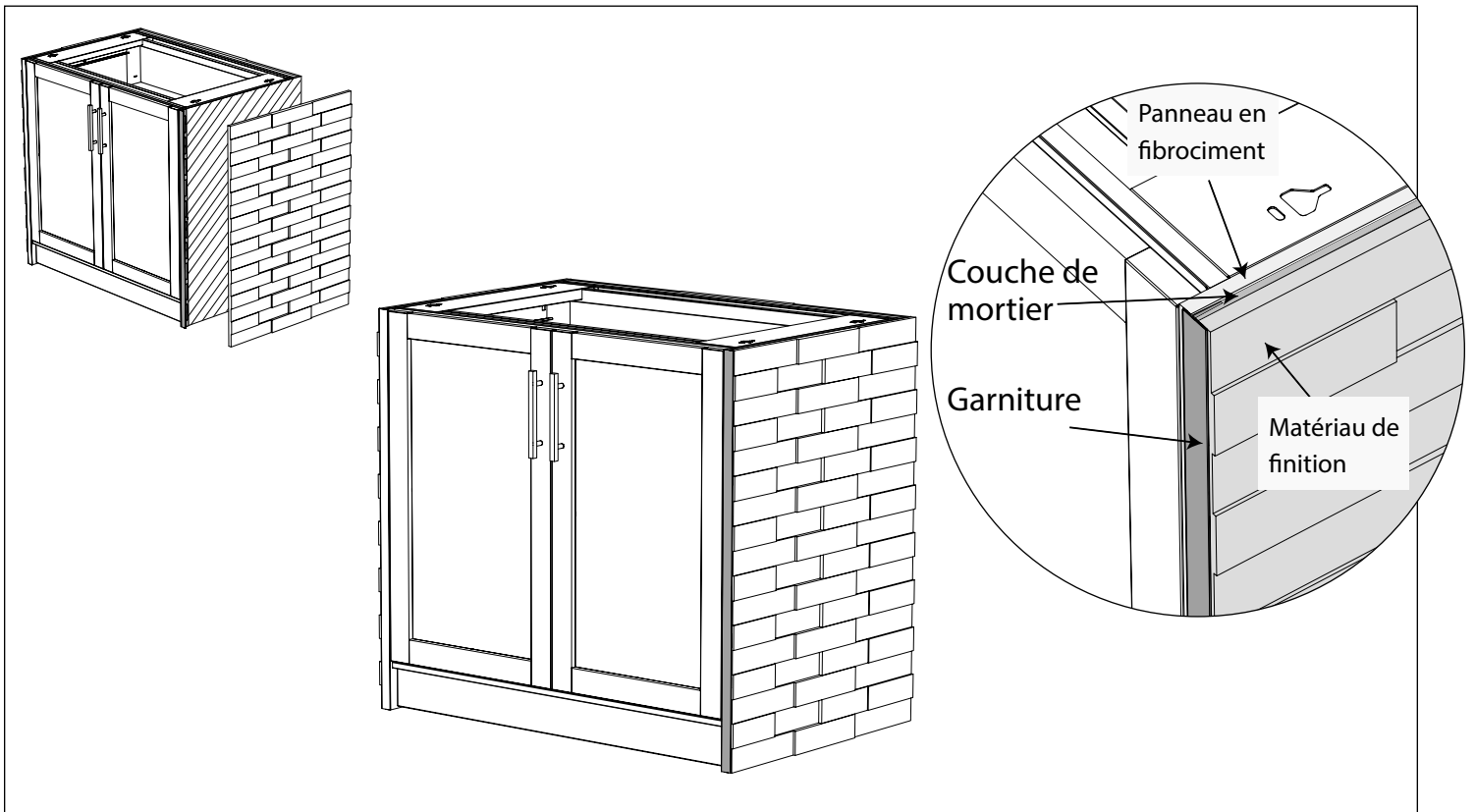


# Garniture pour panneaux en fibrociment

- 3** Pressez la garniture sur la couche de mortier (A). Assurez-vous que la garniture est suffisamment compacte pour adhérer.



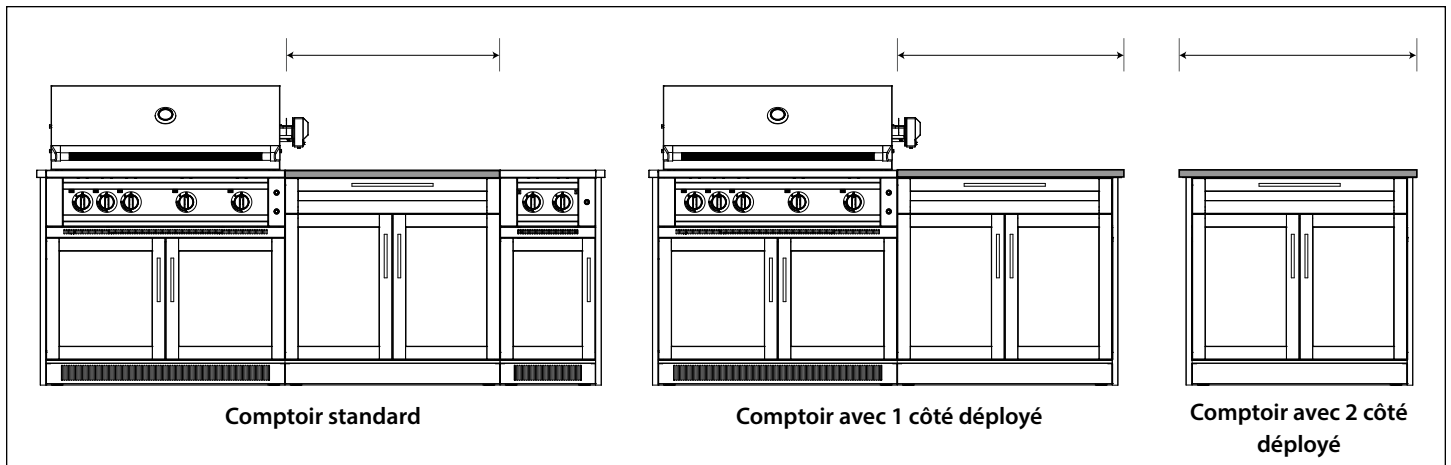
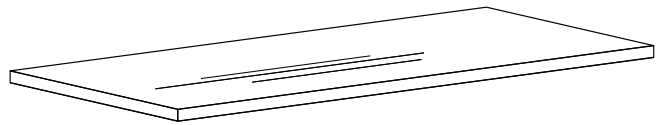
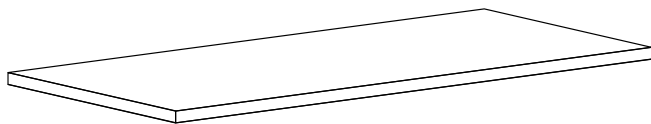
- 4** Appliquez la pierre naturelle ou tout autre matériau de finition, comme des carreaux, sur la couche de mortier après avoir mis en place la garniture. Assurez-vous que la garniture est correctement alignée



# **INSTALLATION DES COMPTOIRS**

# Aperçu des comptoirs

## Comptoir ordinaire (acier inoxydable et granite)

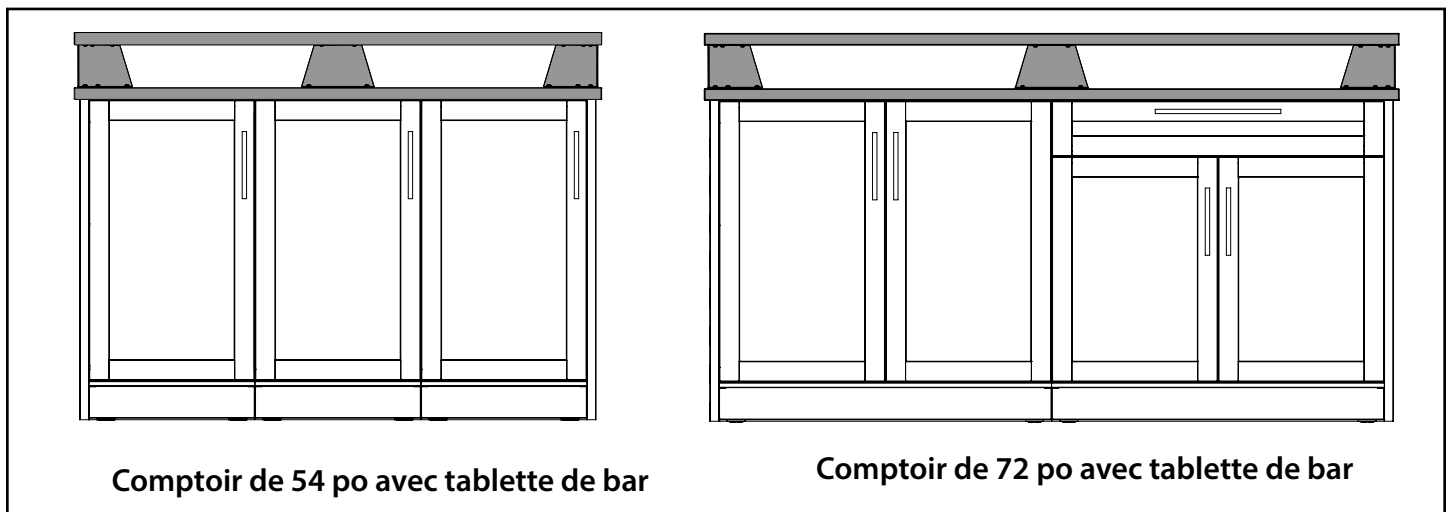
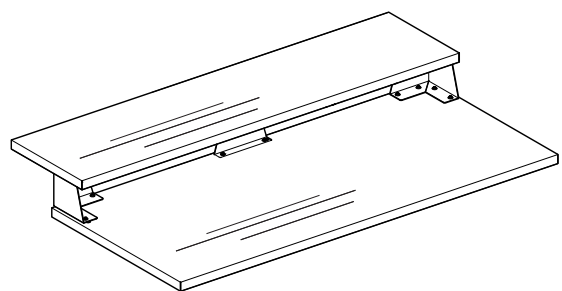
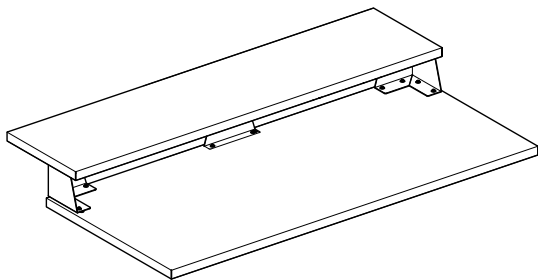


Comptoir standard

Comptoir avec 1 côté déployé

Comptoir avec 2 côté déployé

## Comptoir avec tablette de bar (acier inoxydable et granite)



Comptoir de 54 po avec tablette de bar


Comptoir de 72 po avec tablette de bar

# Aperçu des comptoirs

## Dimensions des comptoirs (acier inoxydable et granite)

N° de S.	Description	Largeur du produit (PO)	Profondeur du produit (PO)	Hauteur du produit (PO)
1	COMPTOIR STANDARD DE 18 PO	18	25,5	1,25
2	COMPTOIR DE 18 PO 1 - CÔTÉ PROLONGÉ	19,6	25,5	1,25
3	COMPTOIR DE 18 PO 2 - CÔTÉ PROLONGÉ	21,2	25,5	1,25
4	COMPTOIR STANDARD DE 36 PO	36	25,5	1,25
5	COMPTOIR DE 36 PO 1 - CÔTÉ PROLONGÉ	37,6	25,5	1,25
6	COMPTOIR DE 36 PO 2 - CÔTÉ PROLONGÉ	39,2	25,5	1,25
7	COMPTOIR STANDARD DE 54 PO	54	25,5	1,25
8	COMPTOIR DE 54 PO 1 - CÔTÉ PROLONGÉ	55,6	25,5	1,25
9	COMPTOIR DE 54 PO 2 - CÔTÉ PROLONGÉ	57,2	25,5	1,25
10	COMPTOIR DE 54 PO 2 - CÔTÉ PROLONGÉ AVEC TABLETTE DE BAR	57,2	33,5	7,25
11	COMPTOIR STANDARD DE 60 PO	60	25,5	1,25
12	COMPTOIR DE 60 PO 1 - CÔTÉ PROLONGÉ	61,6	25,5	1,25
13	COMPTOIR STANDARD DE 72 PO	72	25,5	1,25
14	COMPTOIR DE 72 PO 1 - CÔTÉ PROLONGÉ	73,6	25,5	1,25
15	COMPTOIR DE 72 PO 2 - CÔTÉ PROLONGÉ	75,2	25,5	1,25
16	COMPTOIR DE 72 PO 2 - CÔTÉ PROLONGÉ AVEC TABLETTE DE BAR	75,2	33,5	7,25
17	COMPTOIR D'ANGLE à 90°	26,4	26,4	1,25
18	COMPTOIR D'ANGLE à 45°	23,6	22,2	1,25

## Options de couleur du granite

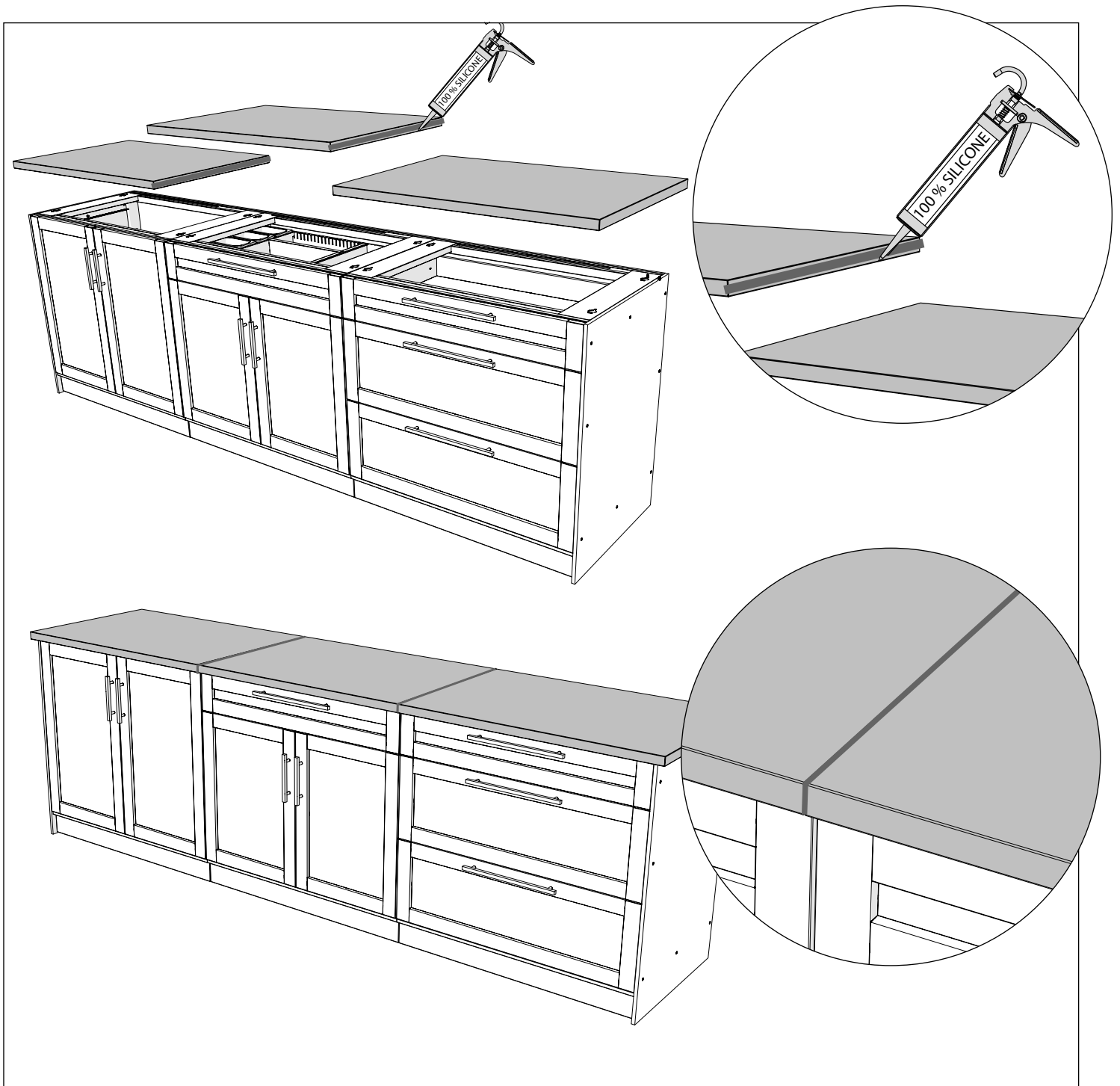
 **REMARQUE** : Les comptoirs en granite sont disponibles en 3 options de couleur et de finition pour toutes les tailles mentionnées dans le tableau précédent.

N° de S.	Description
1	Comptoirs en granite blanc perlé
2	Comptoirs en granite noir Galaxy
3	Comptoirs en granite sable doré

# Installation des comptoirs

**i REMARQUE :** Il est recommandé d'installer les comptoirs avant d'appliquer la finition en pierre sur les panneaux en fibrociment.

**i REMARQUE :** Assurez-vous d'appliquer du produit d'étanchéité à base de silicone à l'aide d'un pistolet à calfeutrer sur le côté des comptoirs (entre les deux comptoirs ou entre le comptoir et l'armoire de l'appareil ou de l'évier) afin d'éviter tout type de déversement de la surface du comptoir vers l'intérieur des armoires, comme le montrent les illustrations ci-dessous.

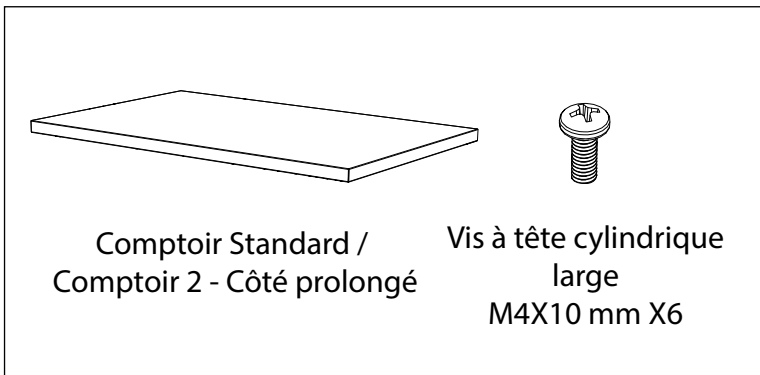


# Installation des comptoirs ordinaires

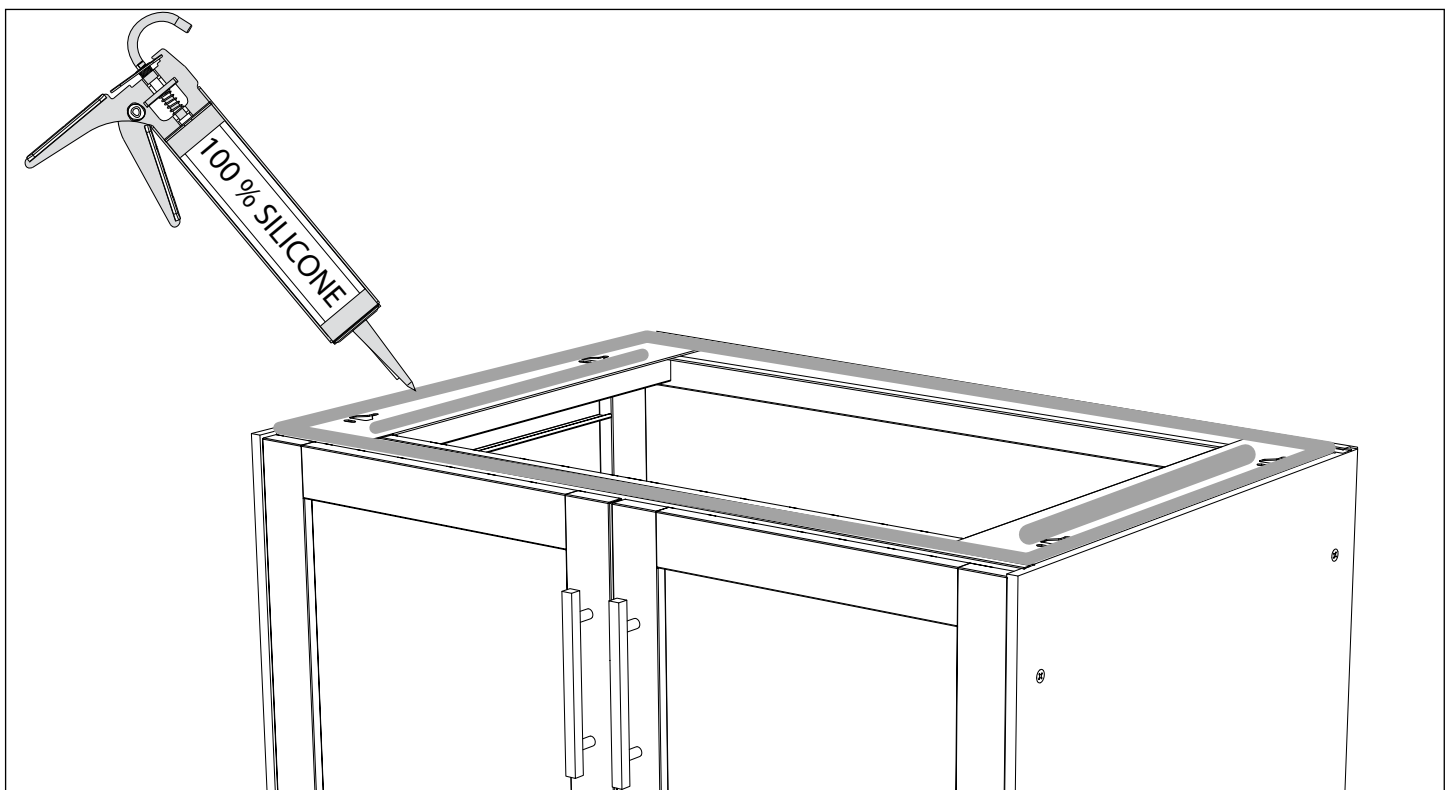
**i** **REMARQUE** : Il est recommandé d'installer les comptoirs avant d'appliquer la finition en pierre sur les panneaux en fibrociment.

## Comptoir ordinaire en acier inoxydable standard/à deux côtés prolongés

**i** Pièces requises.



**1** Il est recommandé d'appliquer un produit d'étanchéité à base de silicone à l'aide d'un pistolet à calfeutrer sur les bords de l'armoire afin d'éviter tout débordement de la surface du comptoir vers l'intérieur de l'armoire.

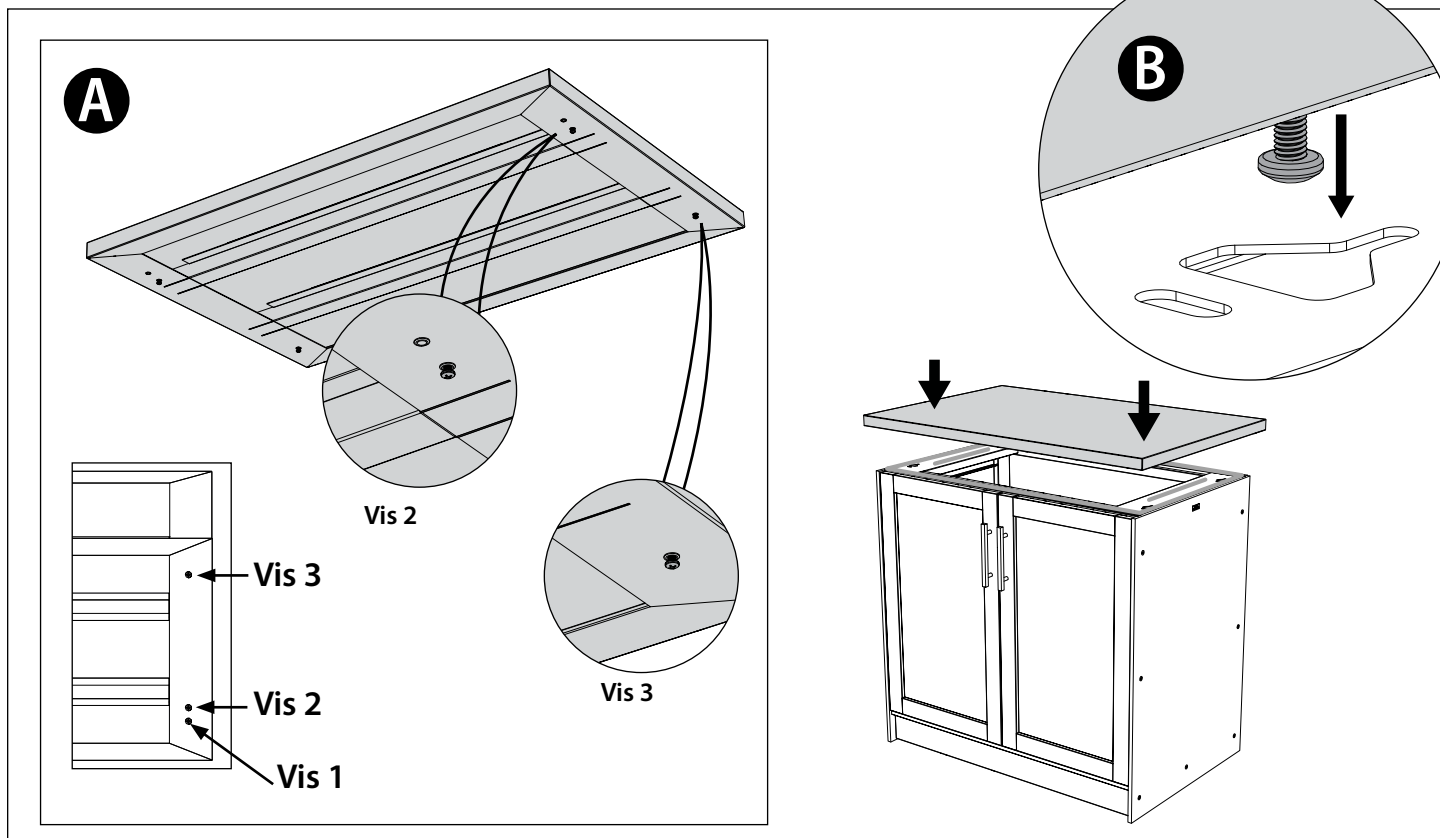




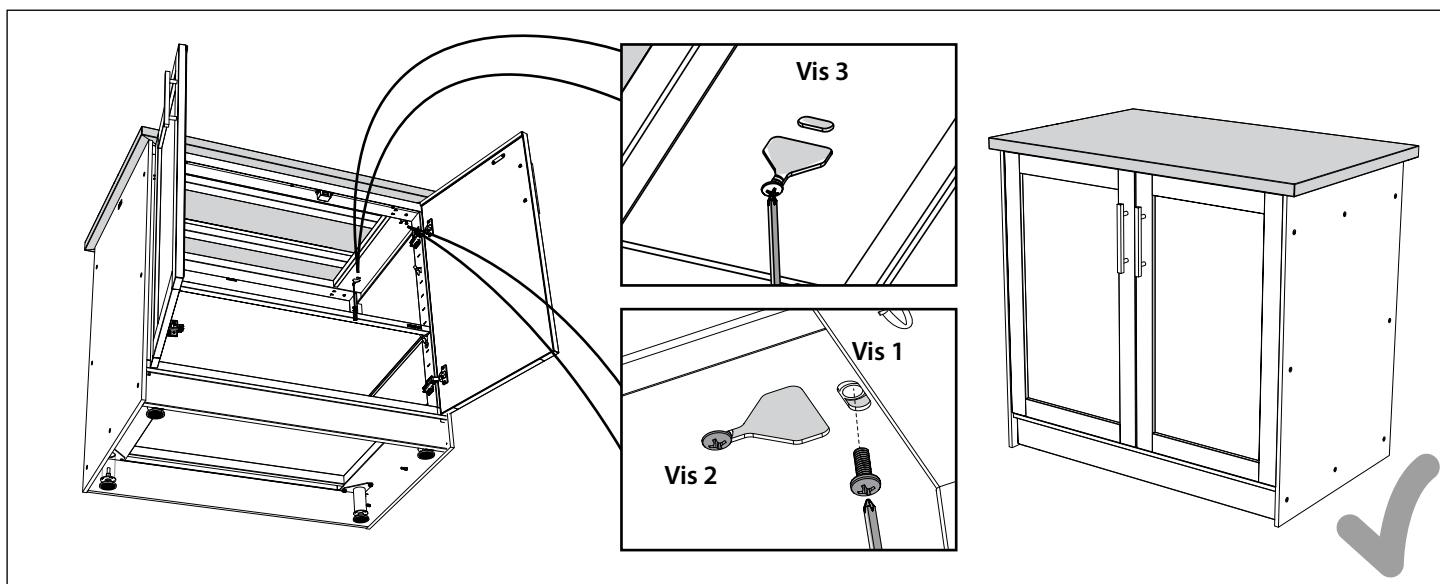
# Installation des comptoirs ordinaires

Dévissez maintenant partiellement les vis 2 et 3 comme indiqué (A) sur les deux côtés. Assurez-vous que la vis 1 est complètement dévissée.

- 2** Puis, placez doucement le comptoir sur le dessus de l'armoire et enfoncez la vis 2 et la vis 3 à travers les fentes montées de chaque côté de l'armoire (B). Poussez ensuite le comptoir vers l'arrière pour engager les vis dans les fentes.



- 3** Maintenant, serrez la vis 2 et la vis 3 depuis le dessous de l'armoire des deux côtés et ajoutez la vis 1 sur les deux côtés pour fixer le comptoir.

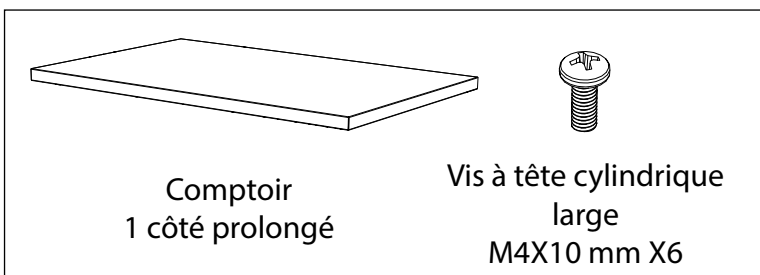


# Installation des comptoirs ordinaires

## Comptoir en acier inoxydable avec extension d'un côté

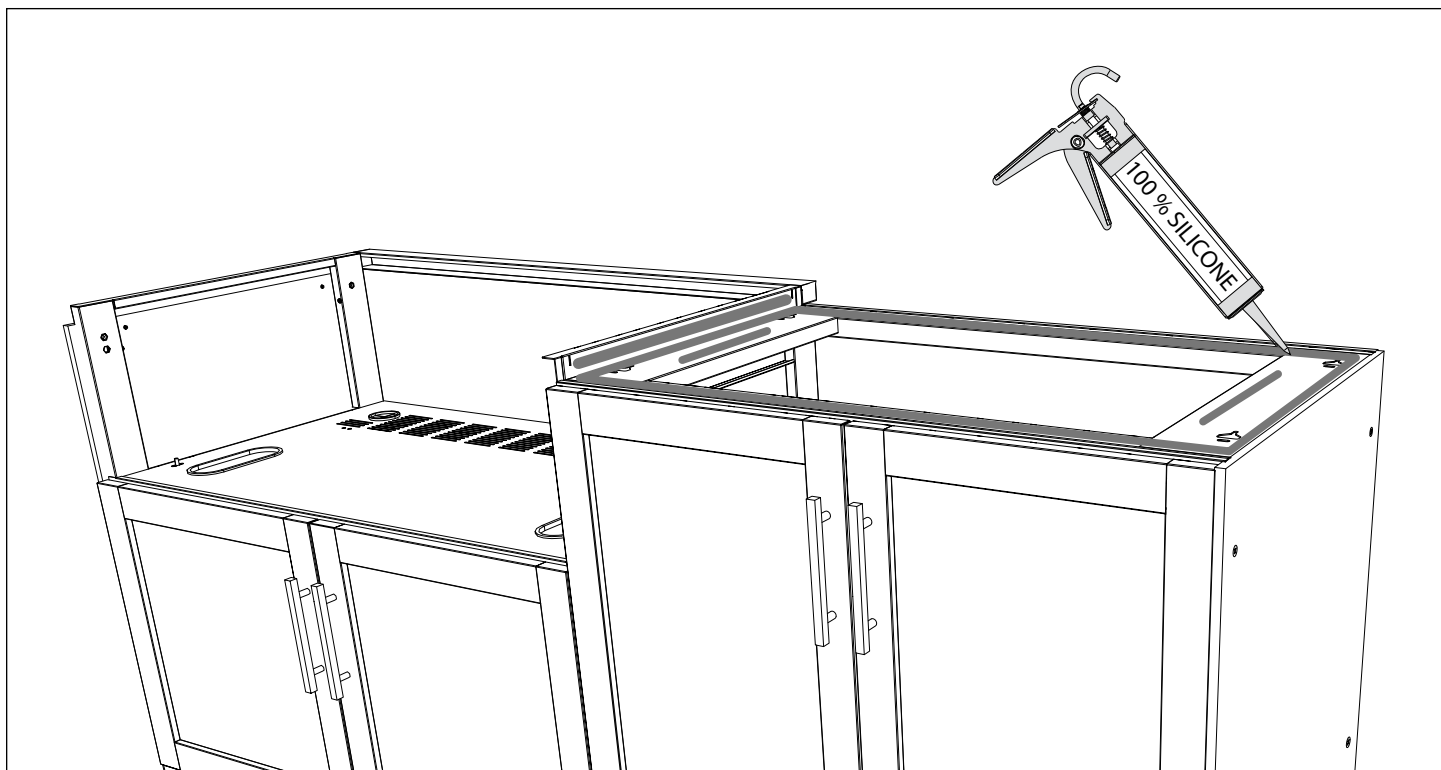
**i** **REMARQUE** : Les comptoirs prolongés d'un côté sont utilisés pour les armoires à la fin d'un ensemble.

**i** Pièces requises.



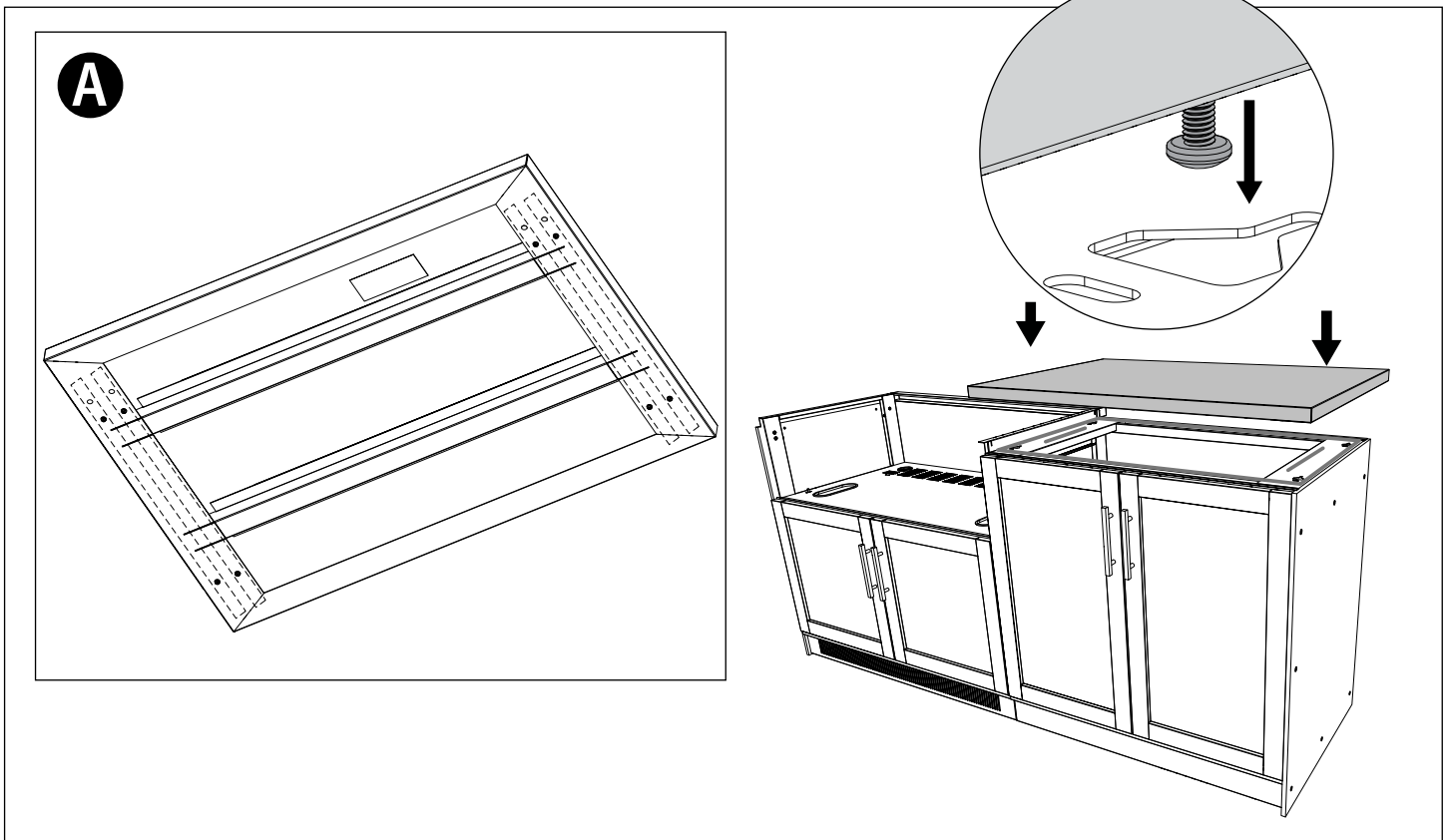
**1** Il est recommandé d'appliquer un produit d'étanchéité à base de silicone à l'aide d'un pistolet à calfeutrer sur les bords de l'armoire afin d'éviter tout débordement de la surface du comptoir vers l'intérieur de l'armoire.

**i** **REMARQUE** : Assurez-vous d'appliquer du produit d'étanchéité à base de silicone à l'aide d'un pistolet à calfeutrer sur le côté des comptoirs (entre le comptoir et l'électroménager ou l'armoire à évier) pour éviter tout type de déversement de la surface du comptoir vers l'intérieur des armoires, comme le montrent les illustrations ci-dessous.

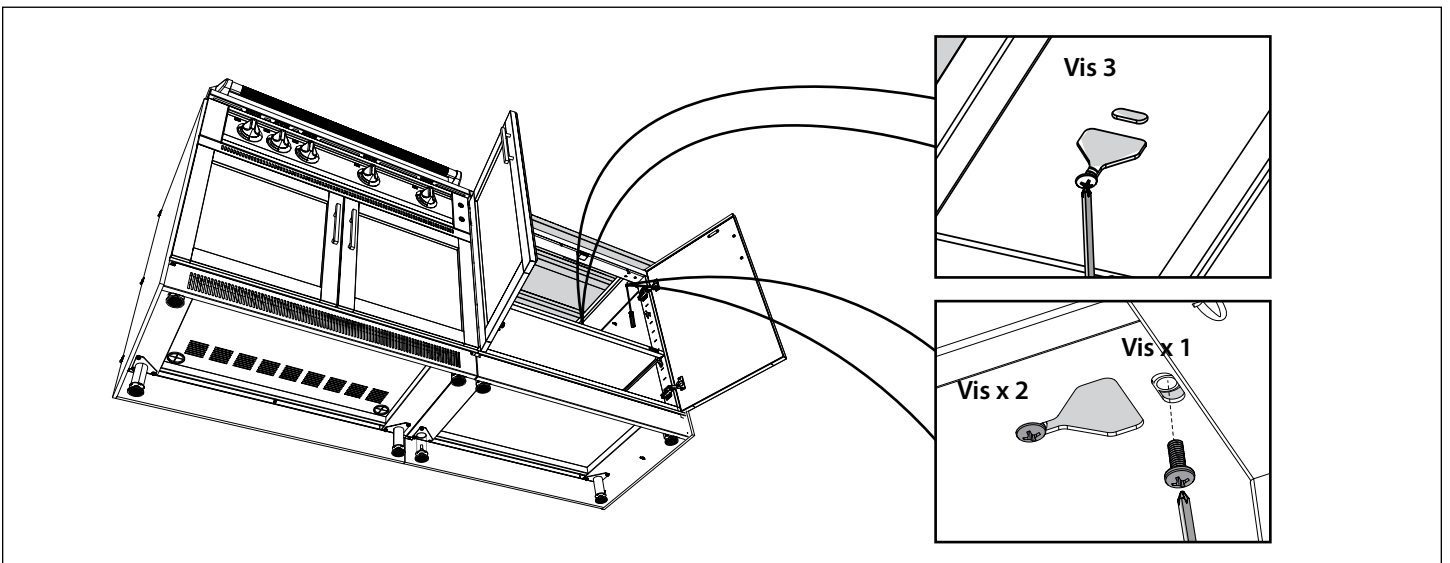


# Installation des comptoirs ordinaires

- 2** Pour les comptoirs à extension unilatérale, il y a deux séries de trous de chaque côté du fond du comptoir (A). Selon le côté pour le surplomb du comptoir, placez le comptoir sur le dessus de l'armoire et suivez les mêmes instructions que pour les comptoirs standard et à 2 côtés prolongés.



- 4** Serrez la vis 2 et la vis 3 depuis le dessous de l'armoire des deux côtés et ajoutez la vis 1 sur les deux côtés pour fixer le comptoir.



# Installation des comptoirs réguliers de 60 po avec réfrigérateur



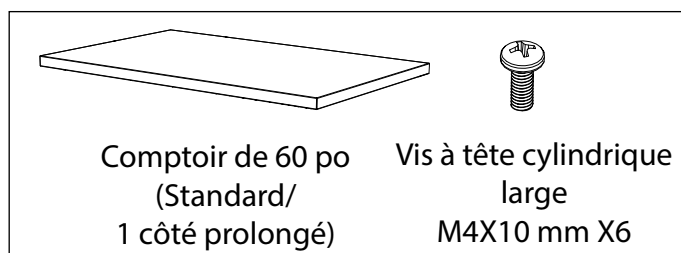
Il est obligatoire qu'il y ait toujours une armoire de 36 po installée à côté du réfrigérateur de 24 po pour installer le comptoir ou que le réfrigérateur soit situé entre deux armoires de 18 po.

Vous pouvez choisir entre le comptoir standard de 60 po et le comptoir prolongé d'un côté en fonction de la configuration définie.

## Option 1 : Armoire de 18 po + Réfrigérateur de 24 po + Armoire de 18 po



Pièces requises.

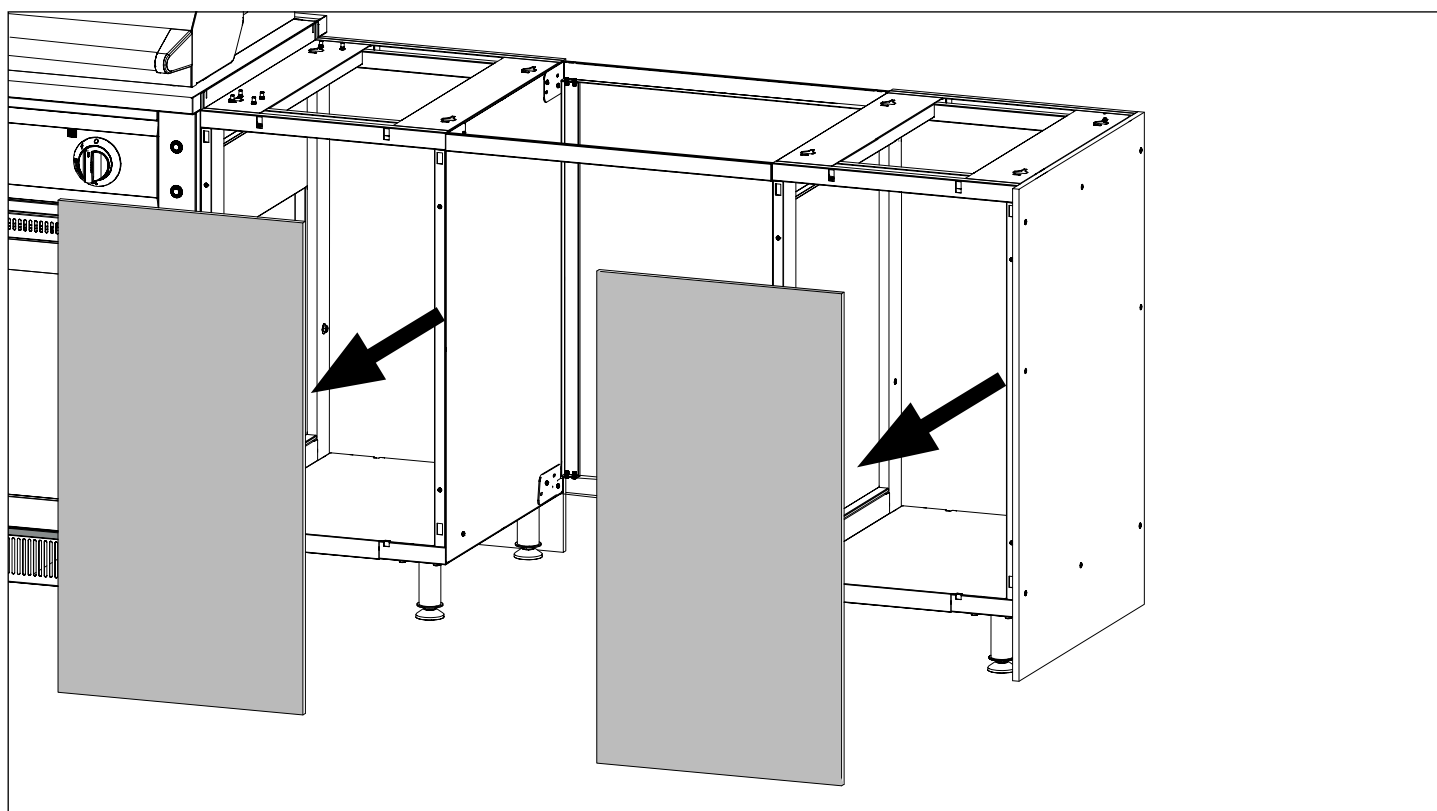


REMARQUE : Assurez-vous que le support du réfrigérateur est monté en premier avant d'installer le comptoir. Suivez les instructions de la même manière dans la section du support de réfrigérateur ci-dessus.



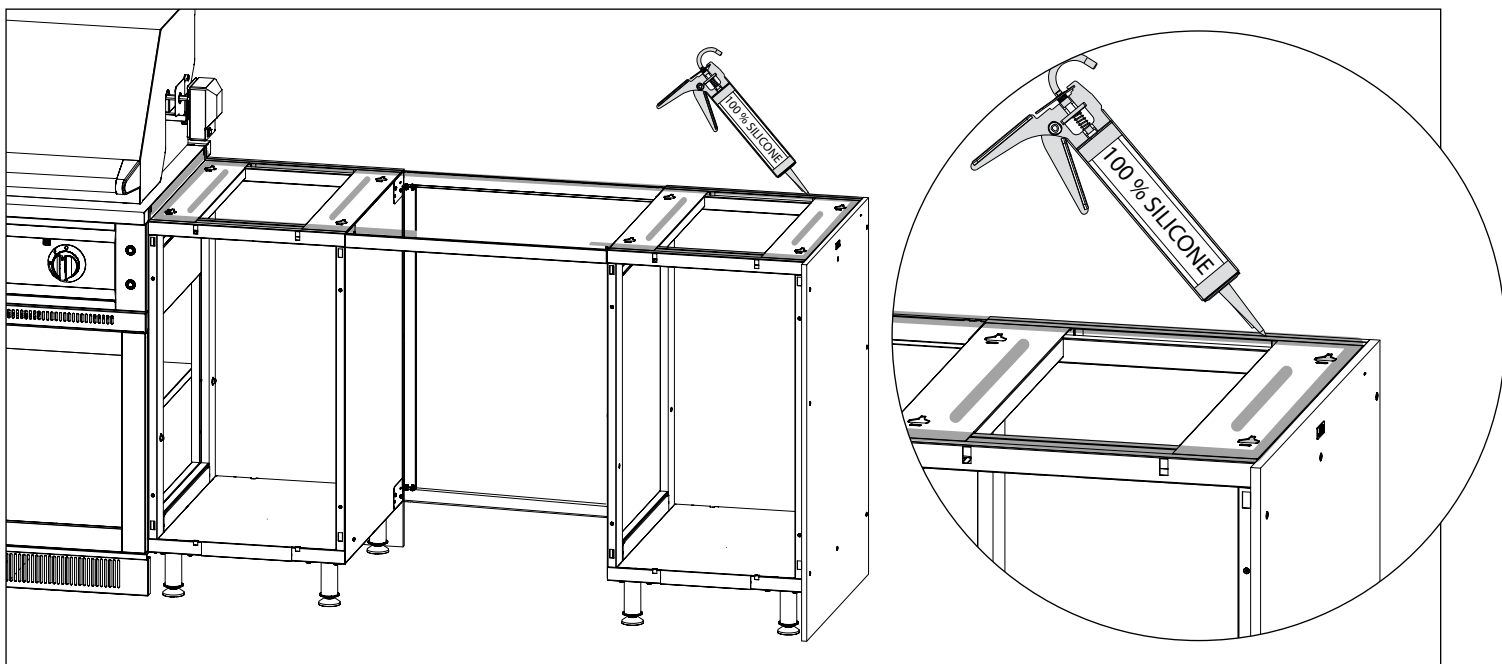
Si vous avez utilisé deux armoires à faux cadre de 18 po, il est recommandé d'installer le comptoir en acier inoxydable avant les panneaux en fibrociment. Sinon, il est nécessaire d'enlever d'abord les panneaux en fibrociment pour faciliter l'accès au serrage des vis du comptoir.

(Pour les armoires de 18 po avec tiroirs et porte, il est recommandé d'ouvrir et de retirer les tiroirs pendant l'installation du comptoir)

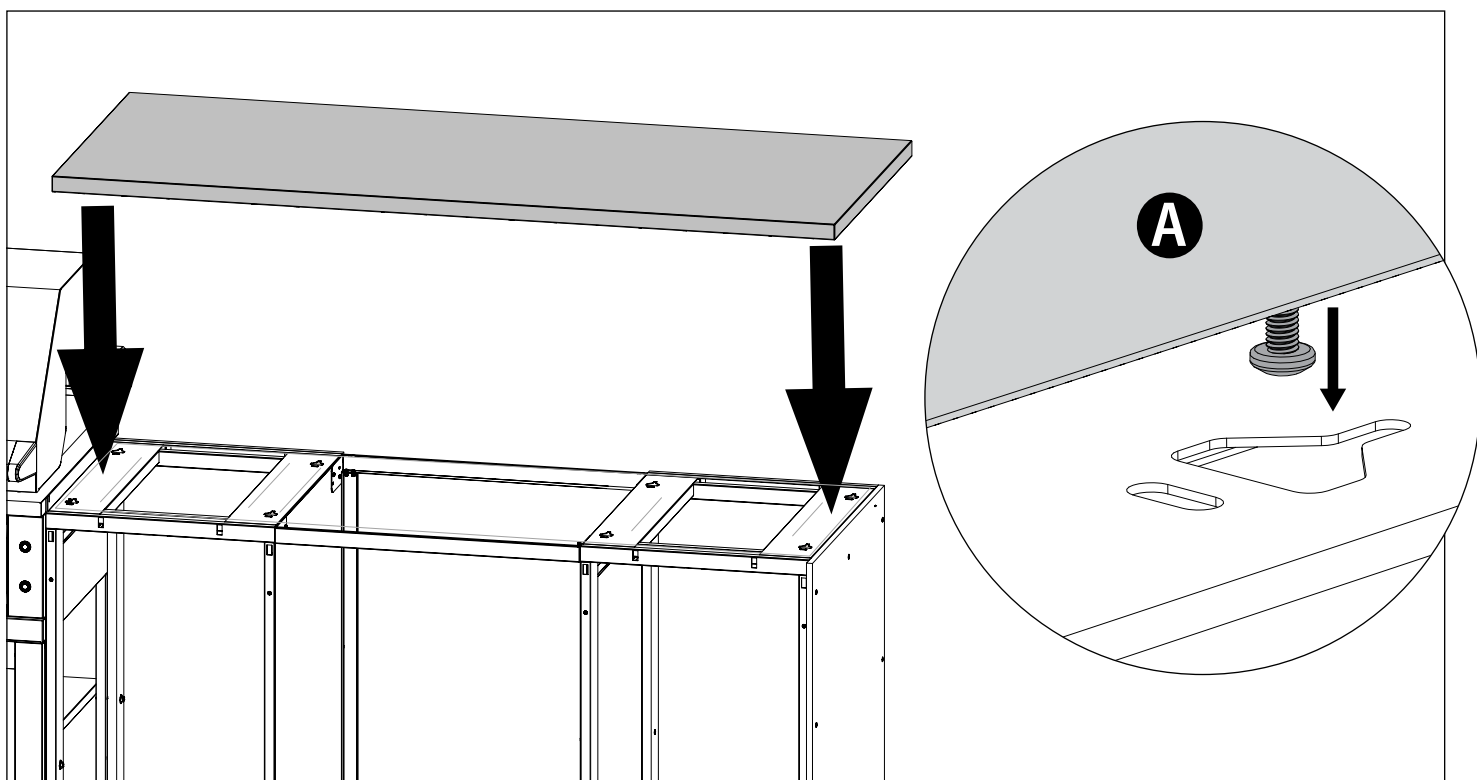


## Installation des comptoirs réguliers de 60 po avec réfrigérateur

- 2** Il est recommandé d'appliquer un produit d'étanchéité à base de silicone à l'aide d'un pistolet à calfeutrer sur les bords de l'armoire afin d'éviter tout débordement de la surface du comptoir vers l'intérieur de l'armoire.

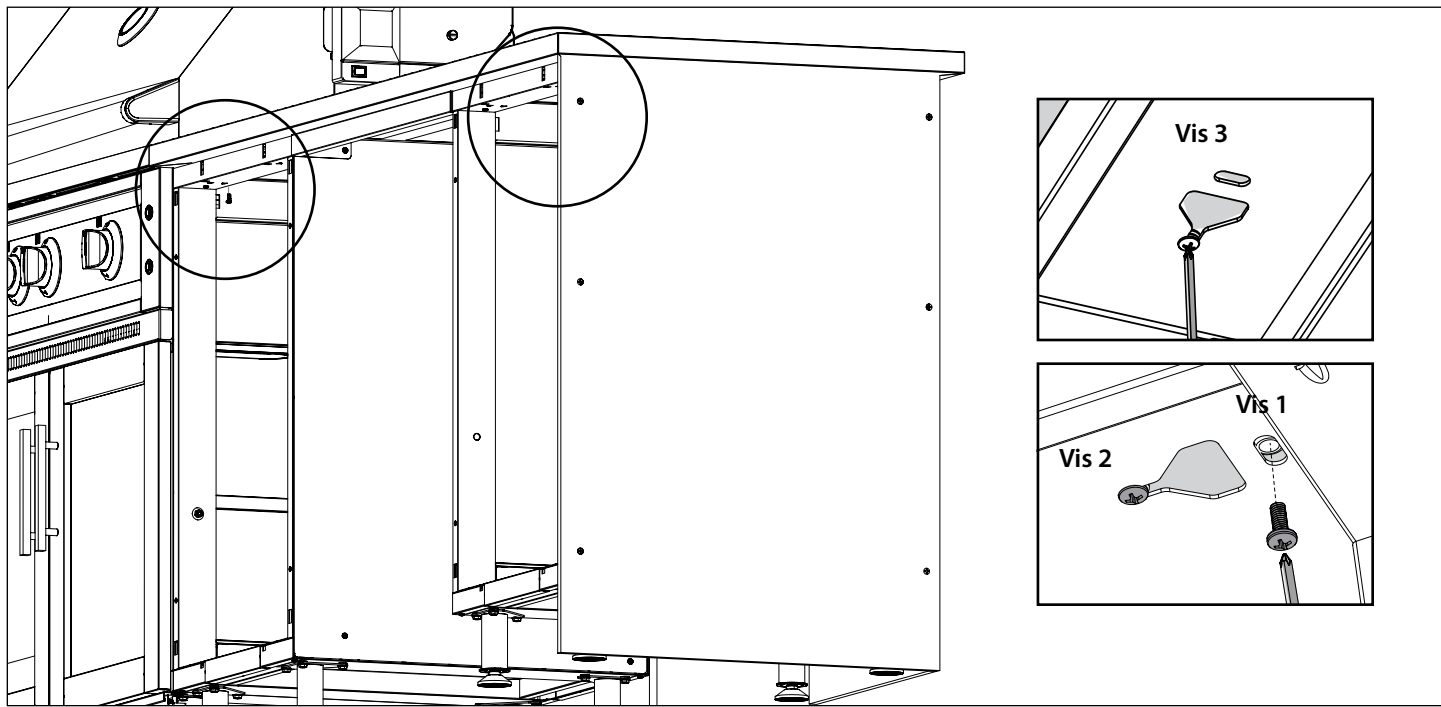


- 3** Placez délicatement le comptoir de 60 po prolongé d'un côté sur le dessus des armoires et engagez les fentes des armoires avec les vis du comptoir (A). Suivez les mêmes étapes que le processus d'installation du comptoir ordinaire.

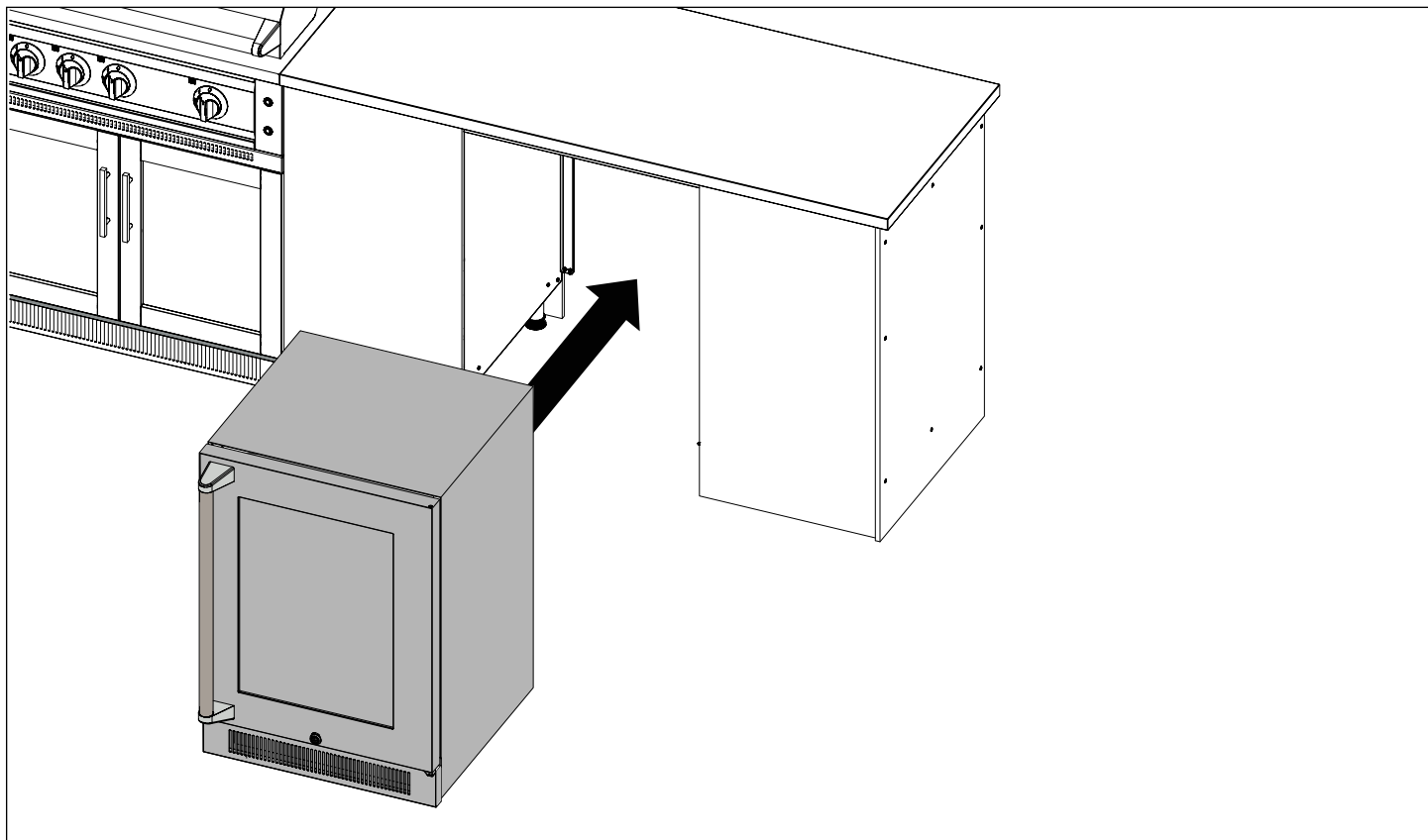


# Installation des comptoirs réguliers de 60 po avec réfrigérateur

- 4** Serrez la vis 2 et la vis 3 depuis le dessous de l'armoire des deux côtés et ajoutez la vis 1 sur les deux côtés pour fixer le comptoir.



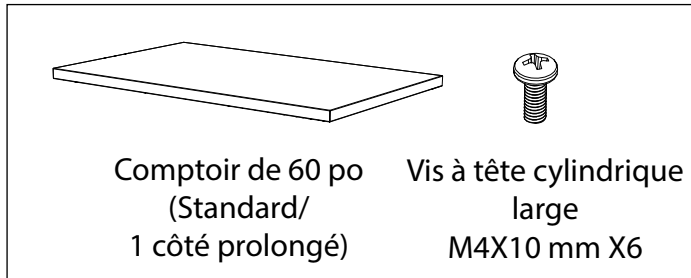
- 5** Une fois le comptoir fixé, placez le réfrigérateur entre les deux armoires.



# Installation des comptoirs réguliers de 60 po avec réfrigérateur

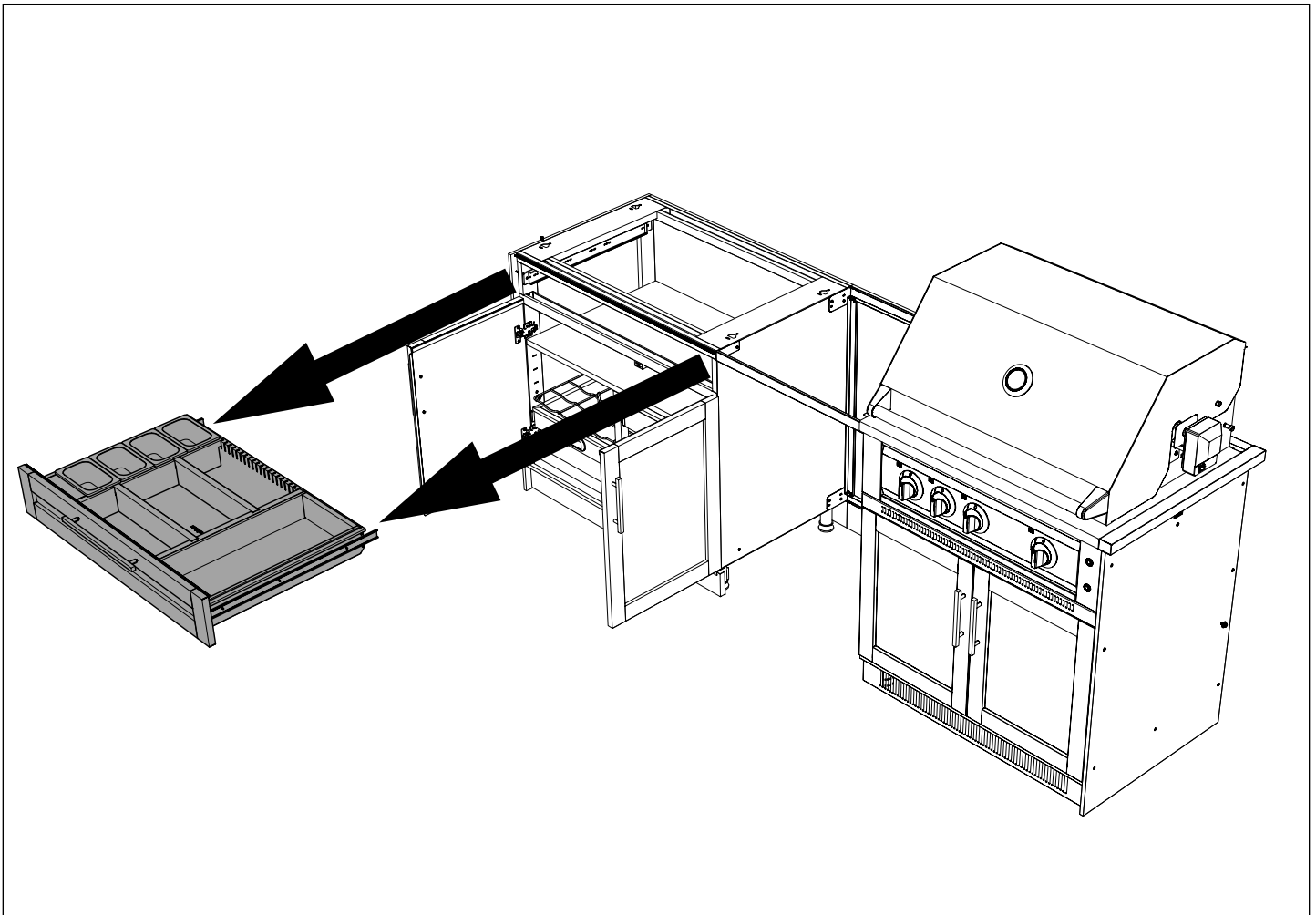
## Option 2 : Armoire de 36 po + Réfrigérateur de 24 po + (toute autre armoire)

**i** Pièces requises.



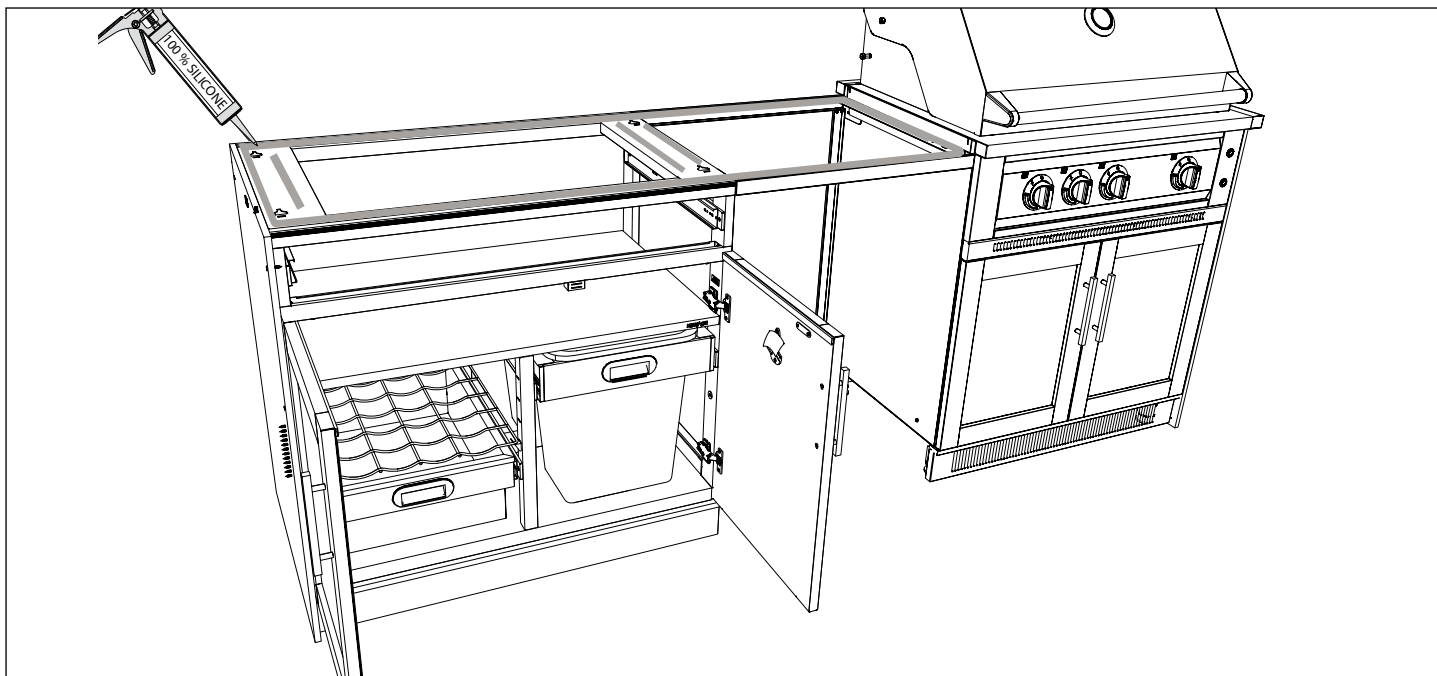
**REMARQUE :** Assurez-vous que le support du réfrigérateur est monté en premier avant d'installer le comptoir. Suivez les instructions de la même manière dans la section du support de réfrigérateur ci-dessus.

**1** Retirez d'abord le tiroir et ouvrez les portes pour faciliter l'accès au serrage des vis du comptoir.

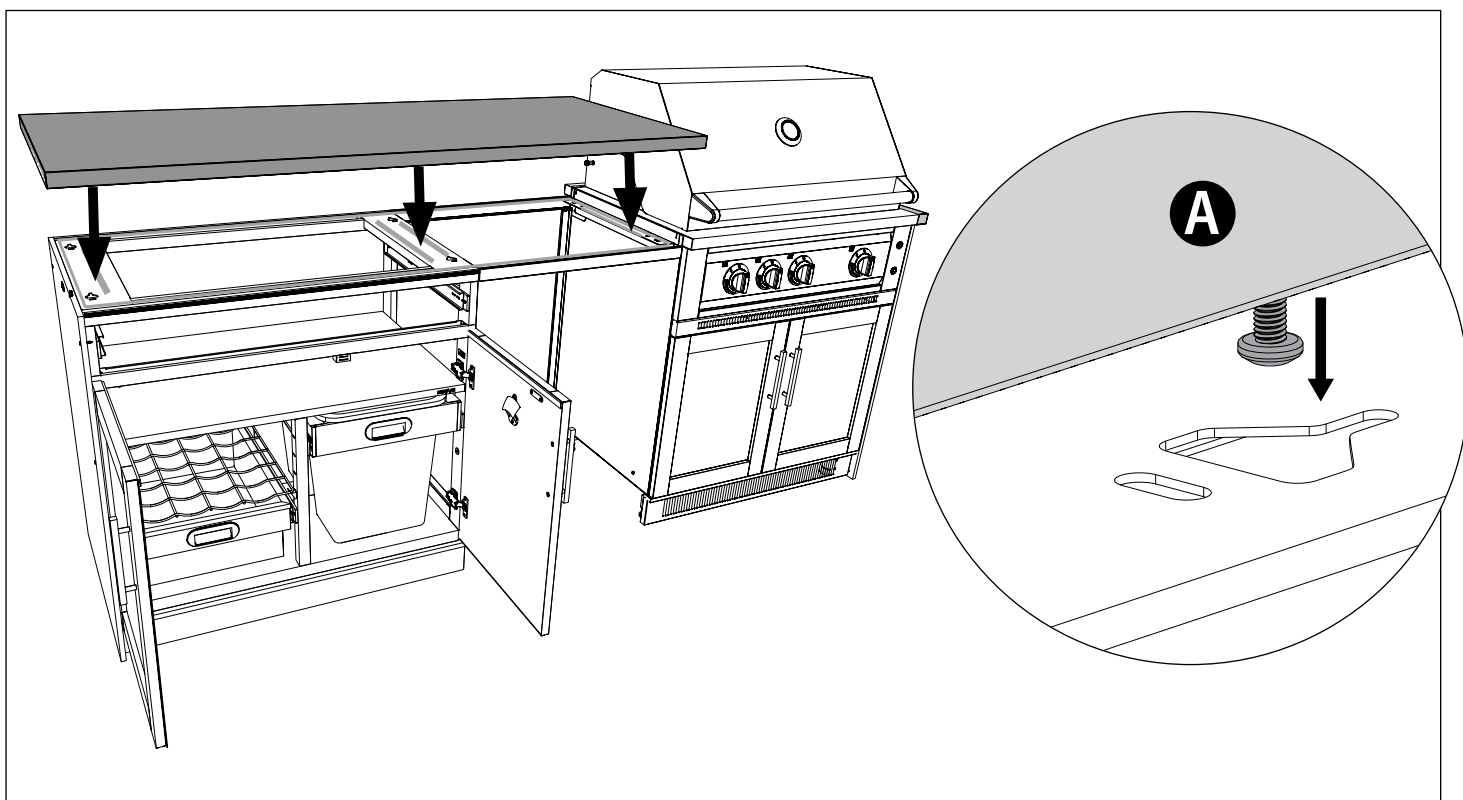


## Installation des comptoirs réguliers de 60 po avec réfrigérateur

- 2** Il est recommandé d'appliquer un produit d'étanchéité à base de silicone à l'aide d'un pistolet à calfeutrer sur les bords de l'armoire afin d'éviter tout débordement de la surface du comptoir vers l'intérieur de l'armoire.



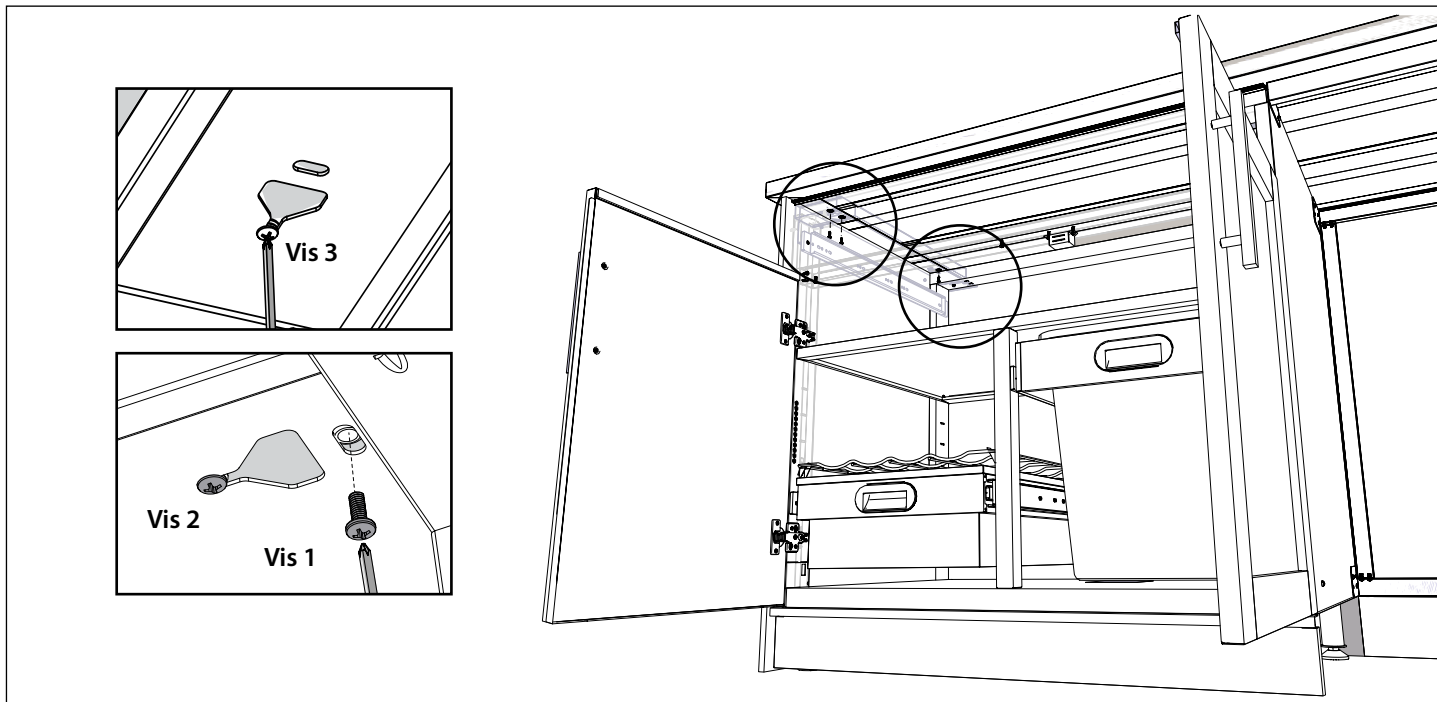
- 3** Placez délicatement le comptoir de 60 po prolongé d'un côté sur le dessus des armoires et engagez les fentes des armoires avec les vis du comptoir (A). Suivez les mêmes étapes que le processus d'installation du comptoir ordinaire.



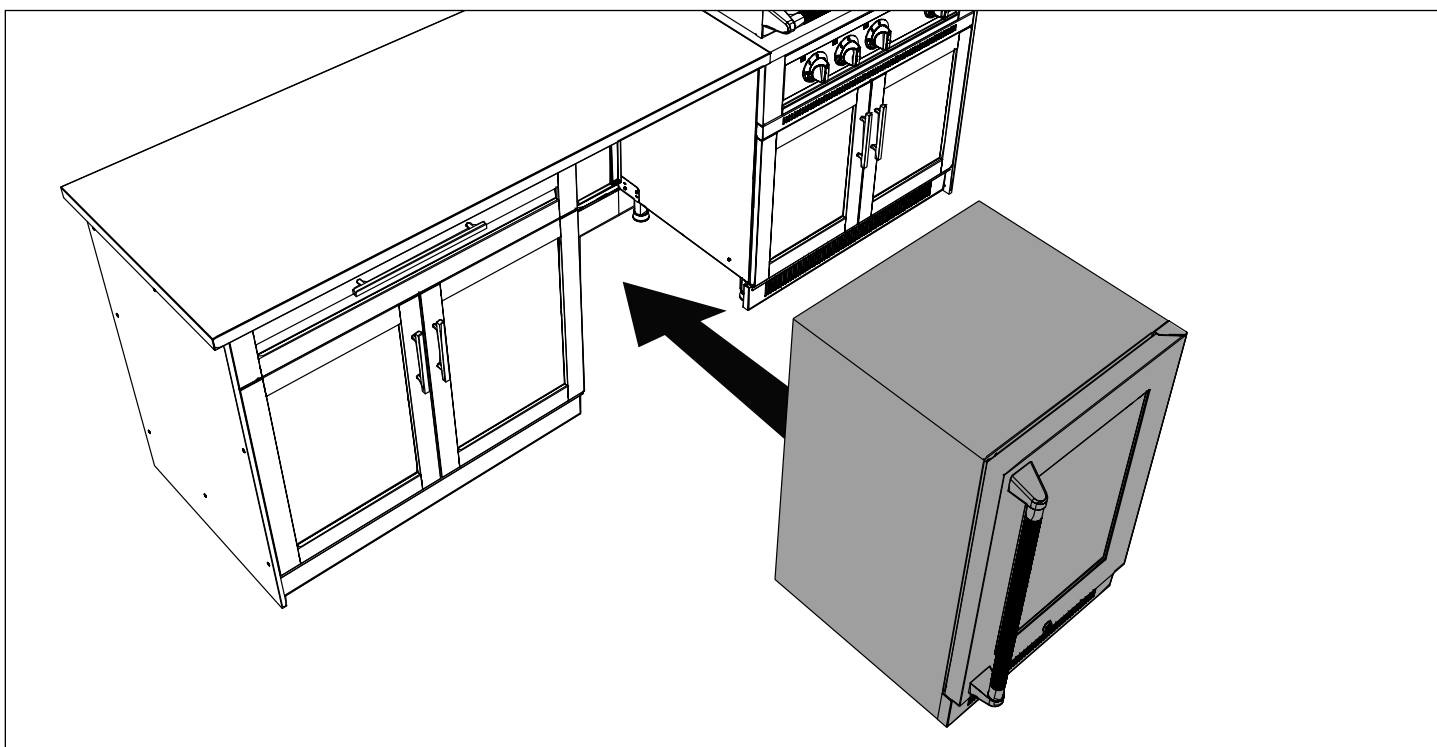


## Installation des comptoirs réguliers de 60 po avec réfrigérateur

- 4** Serrez la vis 2 et la vis 3 depuis le dessous de l'armoire des deux côtés et ajoutez la vis 1 sur les deux côtés pour fixer le comptoir.



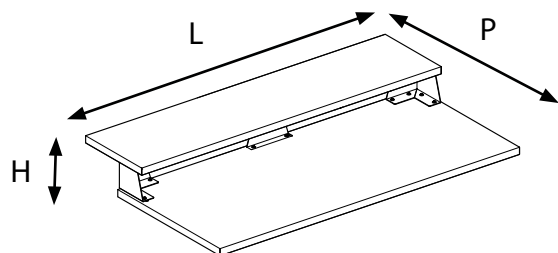
- 5** Une fois le comptoir fixé, remettez les tiroirs en place et fermez les portes des armoires. Placez ensuite le réfrigérateur entre les deux armoires.



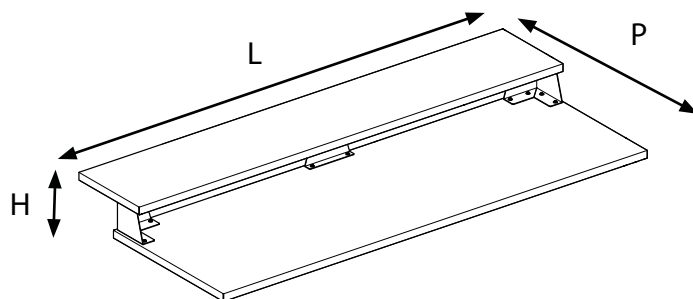
# Installation des comptoirs munis d'une tablette de bar

## Spécifications du produit

Armoires de cuisine extérieure Signature - Comptoirs en acier inoxydable à deux côtés allongés avec tablette de bar

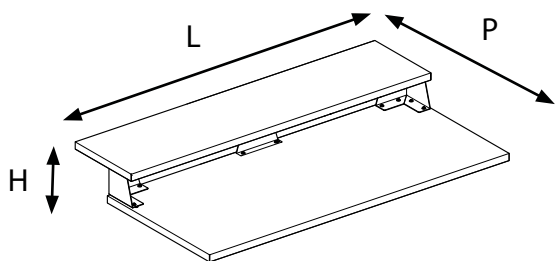


Comptoir de 54 po en acier inoxydable à deux côtés  
L 57,16 po x P 33,50 po x H 7,25 po  
N° d'UGS 66080  
allongés avec tablette de bar



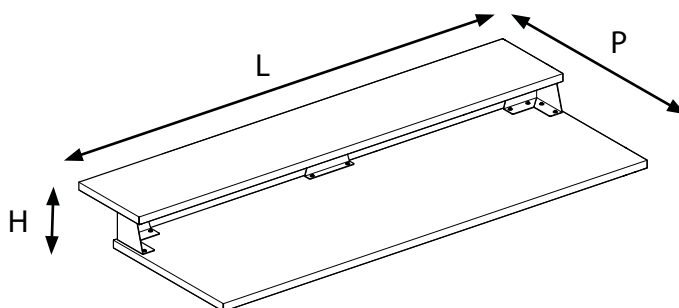
Comptoir de 72 po en acier inoxydable à deux côtés  
L 75,16 po x P 33,50 po x H 7,25 po  
N° d'UGS 66087  
allongés avec tablette de bar

Armoires de cuisine extérieure Signature Comptoirs en granite à deux côtés allongés avec tablette



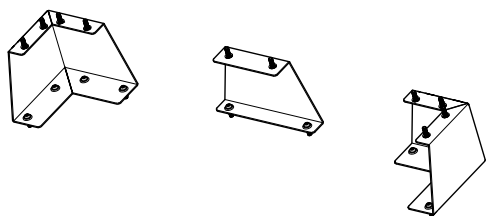
Comptoir de 54 po à deux côtés allongés avec  
tablette de bar  
L 57,16 po x P 25,50 po x H 7,25 po

N° d'UGS 89036 - Blanc perle  
N° d'UGS 89136 - Noir Galaxy  
N° d'UGS 89236 - Sable doré



Comptoir de 72 po à deux côtés allongés avec  
tablette de bar  
L 75,16 po x P 25,50 po x H 7,25 po

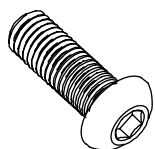
N° d'UGS 89037 - Blanc perle  
N° d'UGS 89137 - Noir Galaxy  
N° d'UGS 89237 - Sable doré



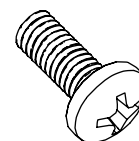
Armoires de cuisine extérieure Signature, Support de comptoir de bar  
N° d'UGS 66090

# Installation des comptoirs munis d'une tablette de bar

## Visserie incluse



Tête de bouton  
M6X10 mm X20



Vis à tête cylindrique M4x10 mm X6  
(uniquement pour le comptoir en acier  
inoxydable)

N° de S.	Description	Comptoir en acier inoxydable de 54 po	Comptoir en granite de 54 po	Comptoir en acier inoxydable de 72 po	Comptoir en granite de 72 po	Supports
1	Vis hexagonale à tête ronde M6X10 mm	50	50	50	50	20
2	Vis à tête cylindrique large (uniquement pour le comptoir en acier inoxydable)	6	50	6	50	50

### REMARQUE :

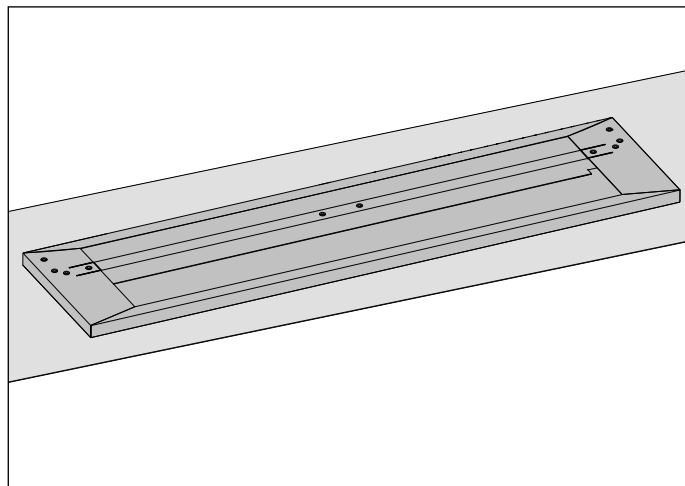
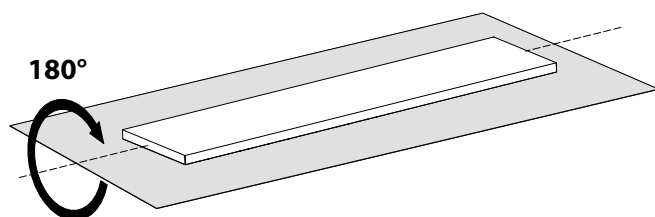
1. Des vis hexagonales à tête ronde M6x10 mm sont incluses dans l'UGS de support.
2. Des vis à tête cylindrique large M4x10 mm sont fournies avec le comptoir en acier inoxydable.

# Installation des comptoirs munis d'une tablette de bar

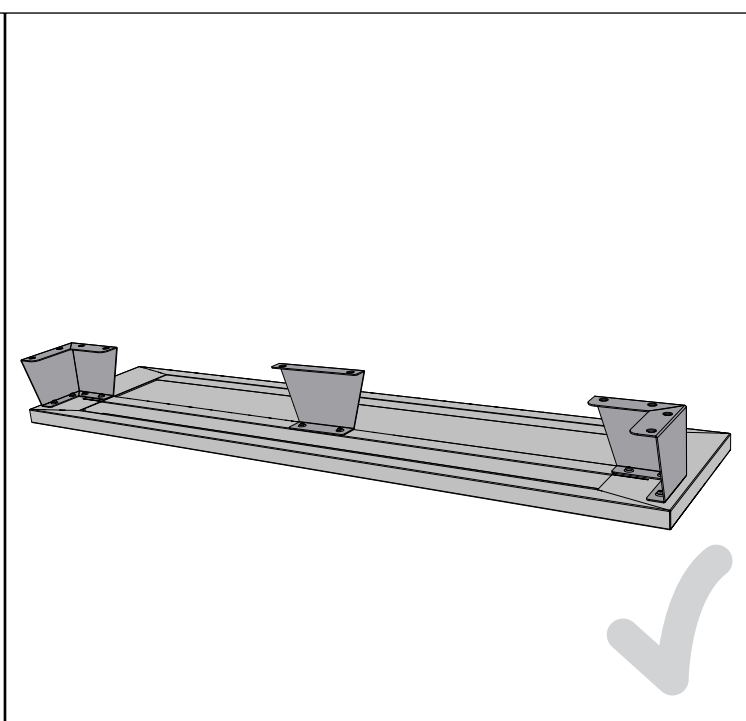
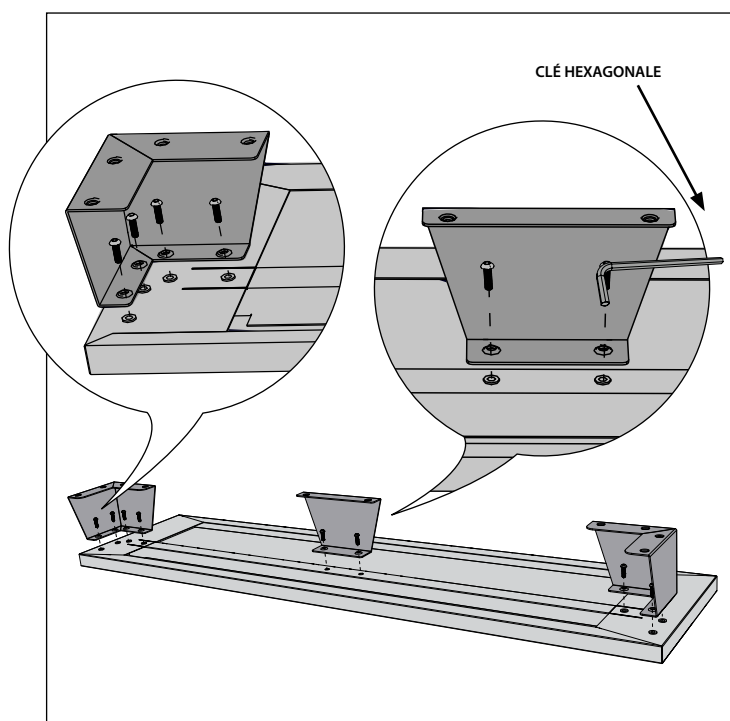
## Installation de la tablette de bar

- 1 Commencez par placer la tablette de bar avec les trous orientés vers le haut sur une surface plane couverte (par exemple, du carton).

**REMARQUE :** Le processus d'installation de la tablette de bar est le même pour les comptoirs en acier inoxydable et en granite.



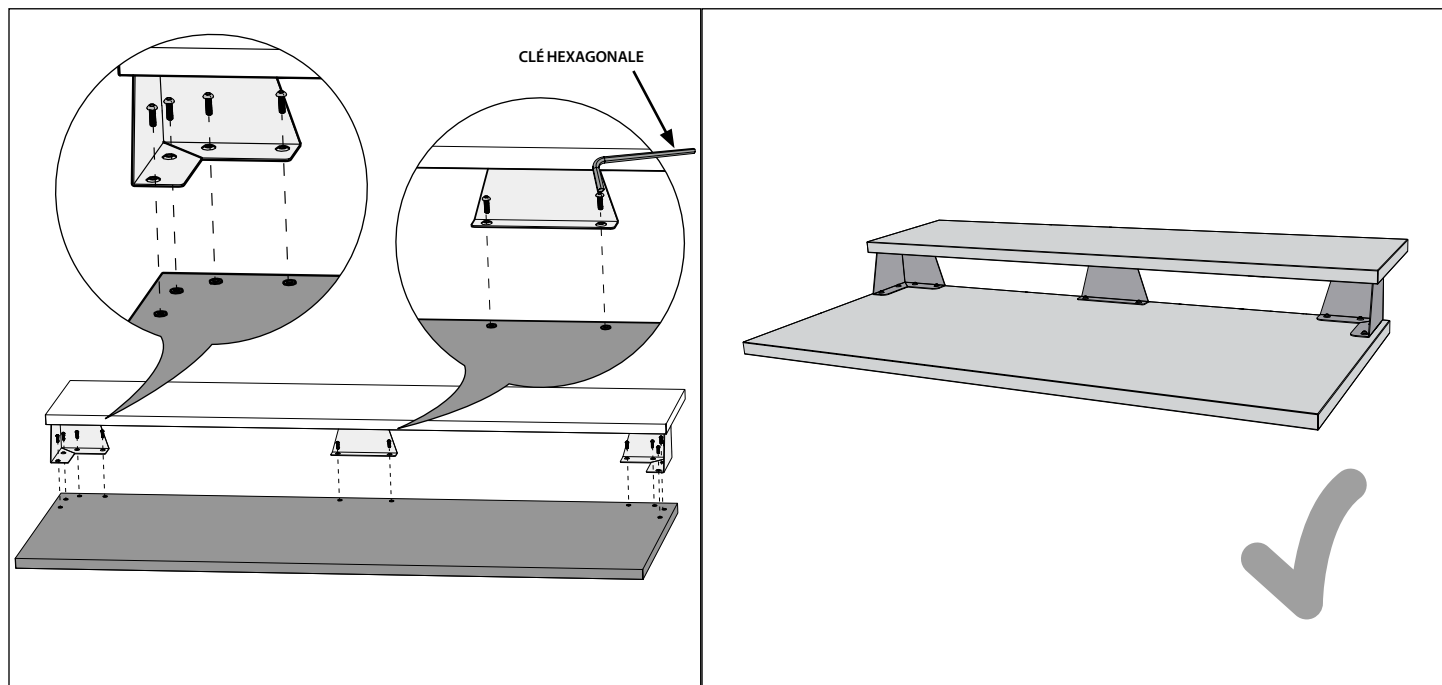
- 2 Utilisez les trois supports fournis et fixez-les à la tablette de bar à l'aide de 10X vis hexagonales à tête ronde comme indiqué. Assurez-vous que les vis sont bien serrées.



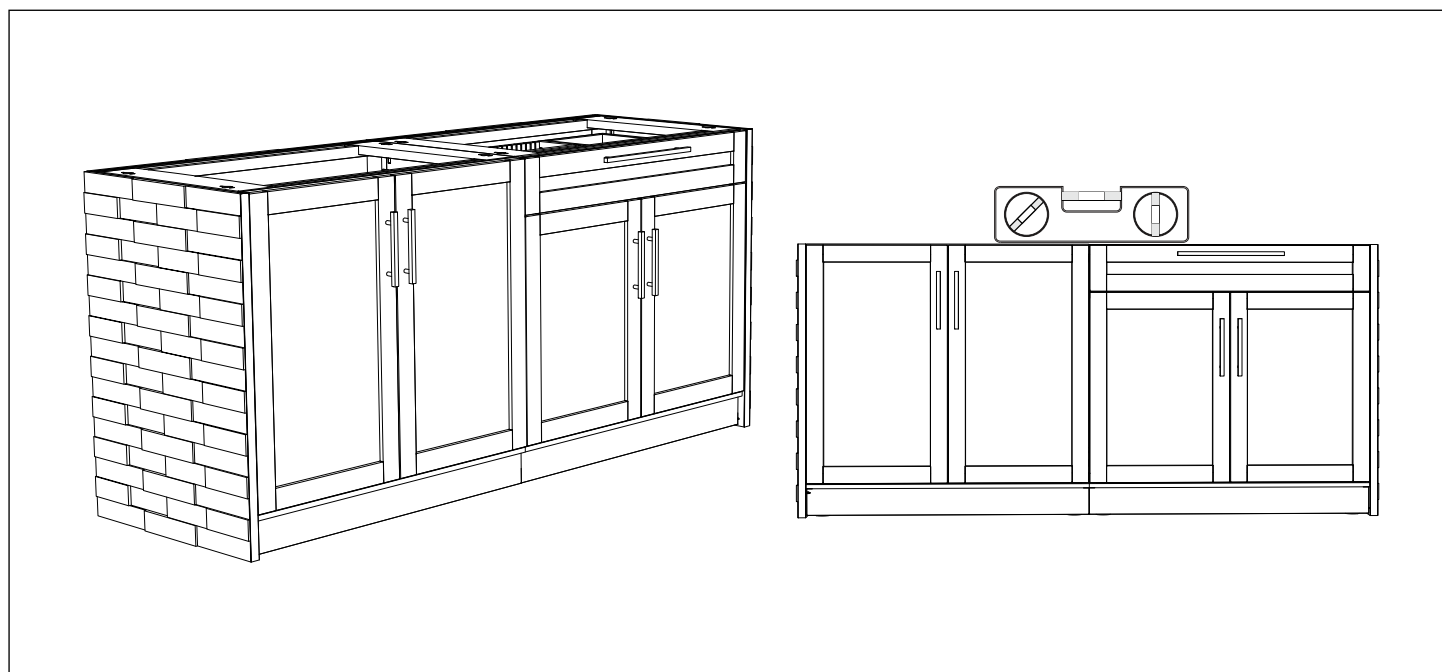
# Installation des comptoirs munis d'une tablette de bar

## Installation de la tablette de bar sur le comptoir

- 3** Installez la tablette de bar et les supports sur le comptoir de la même manière avec 10X vis hexagonale à tête ronde, comme indiqué.

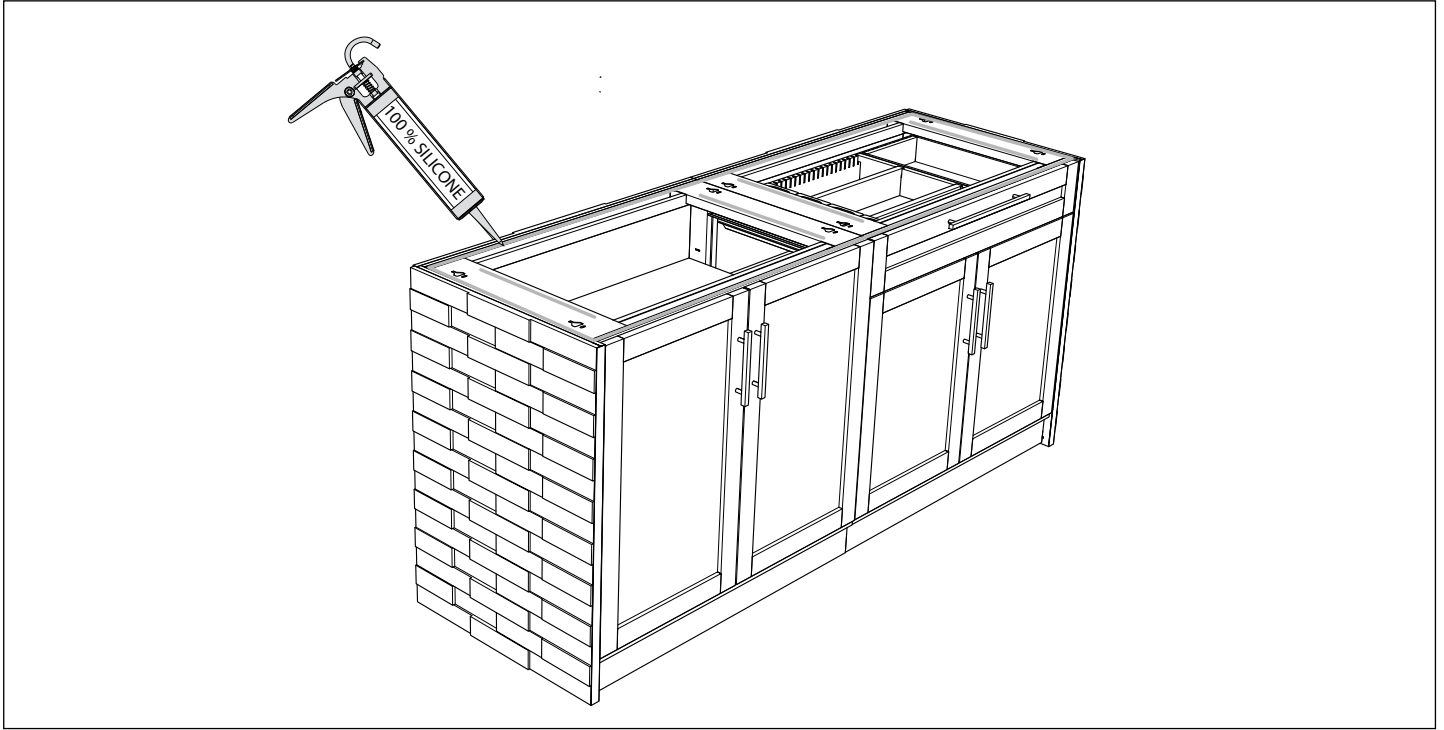


- 4** Les ensembles d'armoires peuvent être disposés en utilisant des ensembles d'armoires de 18 po et des armoires de 36 po selon les préférences pour les comptoirs de 54 po et de 72 po avec tablette de bar.

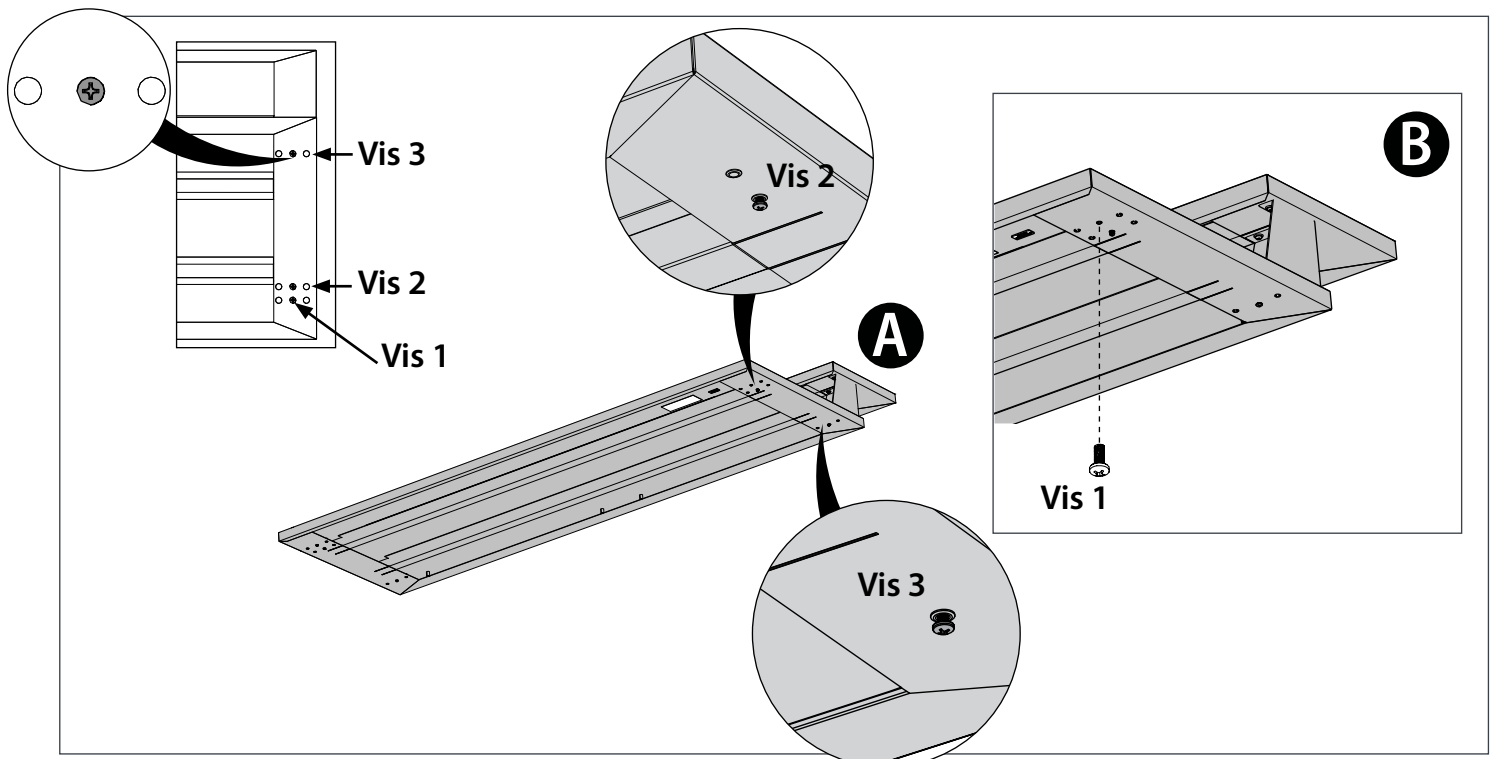


## Installation du comptoir en acier inoxydable avec une tablette de bar sur les armoires

- 5** **REMARQUE :** Il est recommandé d'appliquer un produit d'étanchéité à base de silicone à l'aide d'un pistolet à calfeutrer sur les bords de l'armoire afin d'éviter tout débordement de la surface du comptoir vers l'intérieur de l'armoire.

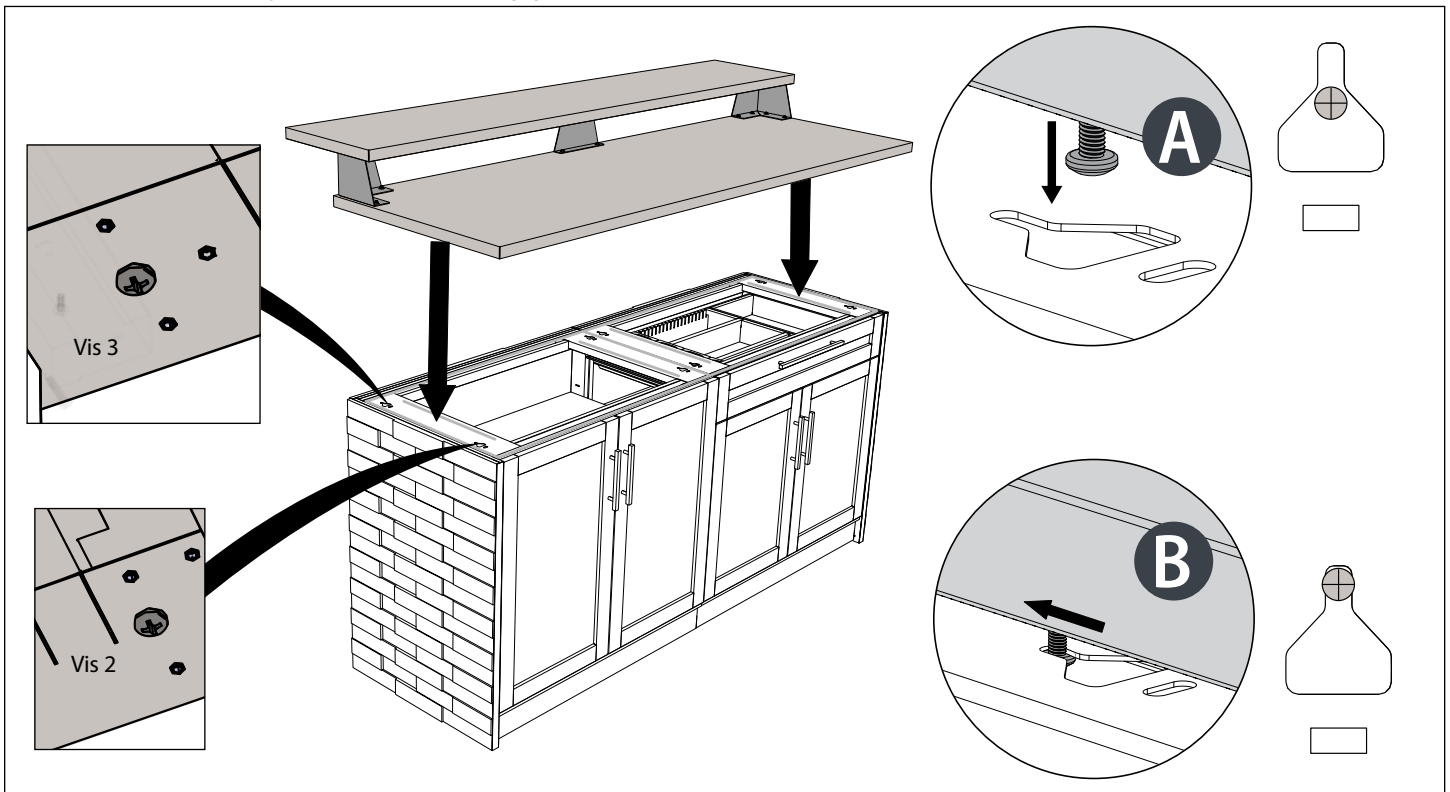


- 6** Dévissez maintenant partiellement les vis 2 et 3 comme indiqué (A) sur les deux côtés. Assurez-vous que la vis 1 est complètement dévissée comme indiqué (B).

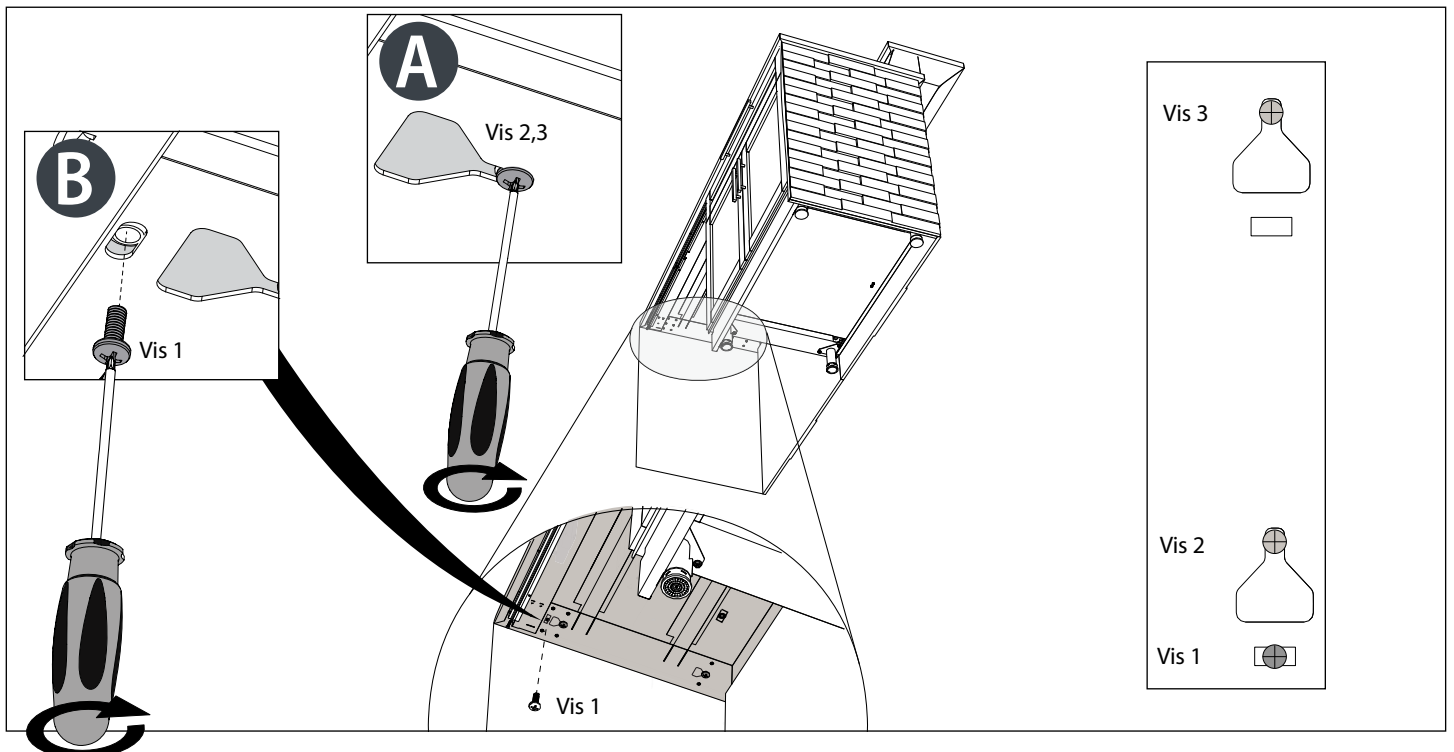


## Installation du comptoir en acier inoxydable avec une tablette de bar sur les armoires

- 7** Installez le comptoir du bar en acier inoxydable en le plaçant sur le dessus des armoires fixées, comme indiqué. Guidez ensuite la vis 2 et la vis 3 dans les fentes montées de chaque côté de l'armoire, comme indiqué (A). Poussez ensuite le comptoir vers l'arrière pour engager les vis dans la fente, comme illustré (B).

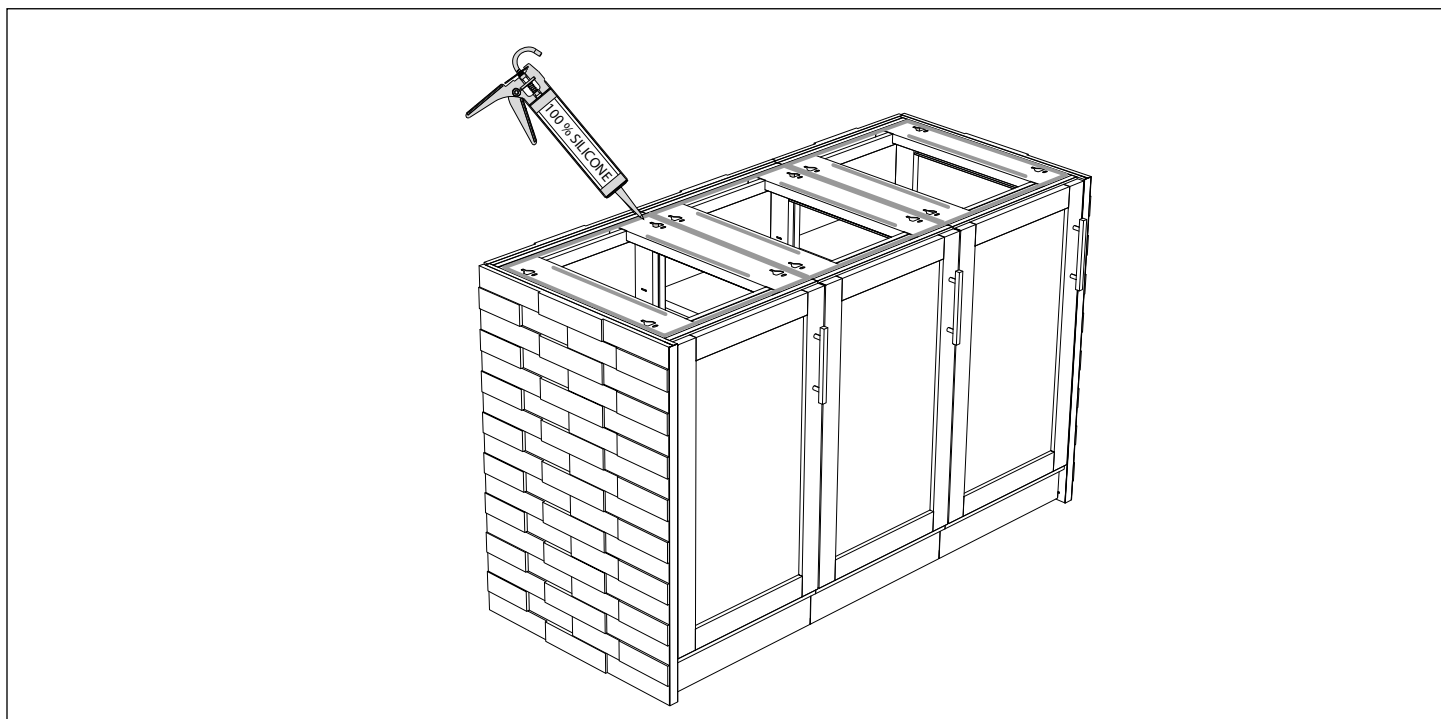


- 8** Serrez la vis 2 et la vis 3 par le dessous de l'armoire sur les deux côtés comme indiqué (A). Maintenant, ajoutez et serrez la vis 1 sur les deux côtés comme indiqué (B).

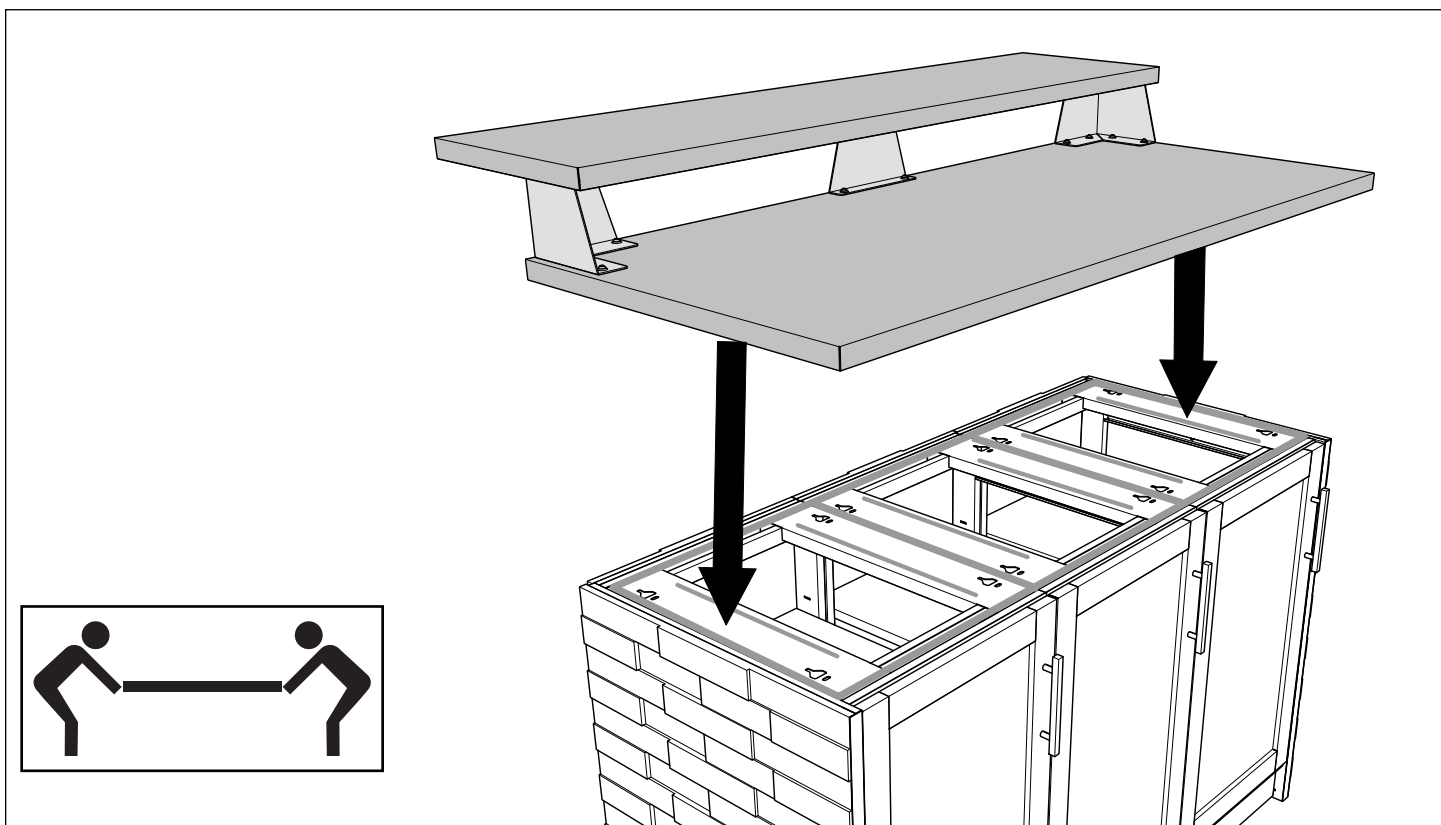


## Installation d'un comptoir en granite avec une tablette de bar sur les armoires

- 1 À l'aide d'un pistolet à calfeutrer, appliquez le produit d'étanchéité à base de silicone sur le dessus des armoires, comme illustré.



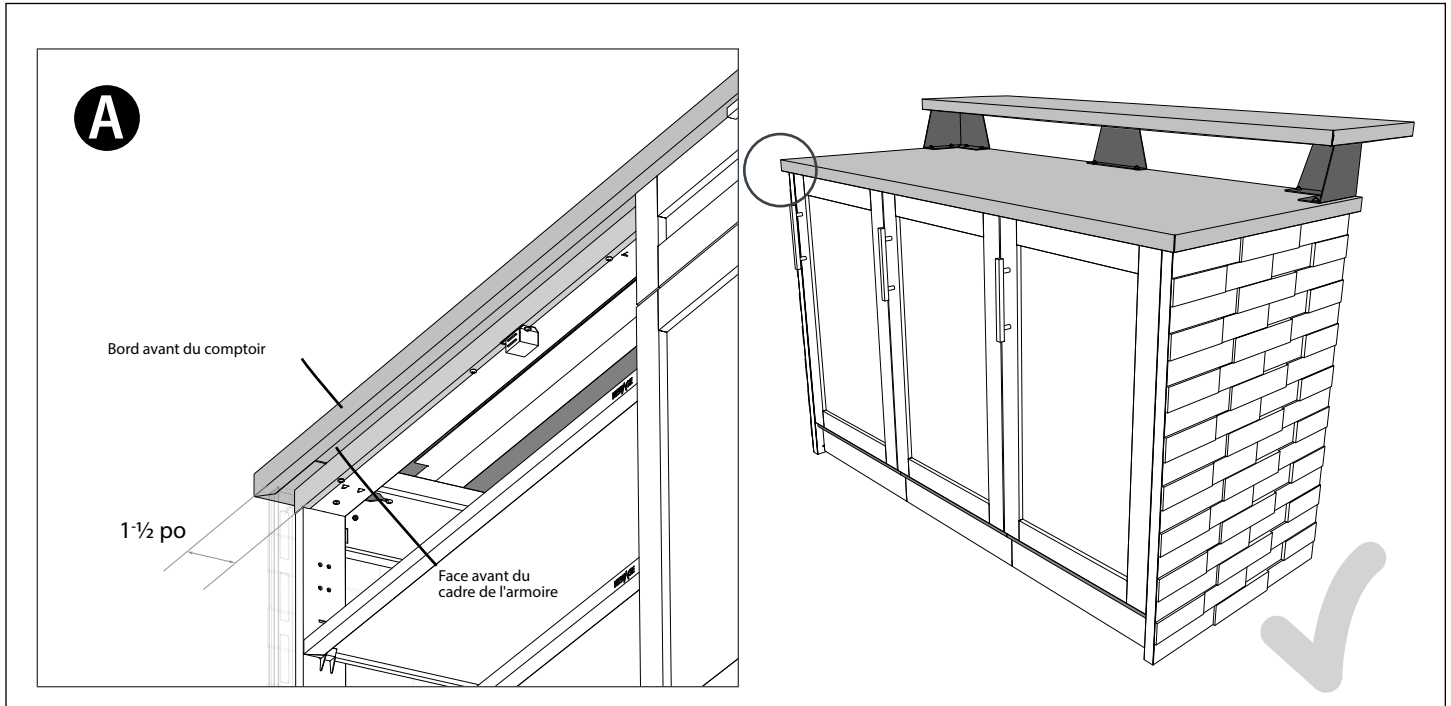
- 2 Installez le comptoir en granite sur le dessus des armoires comme indiqué.



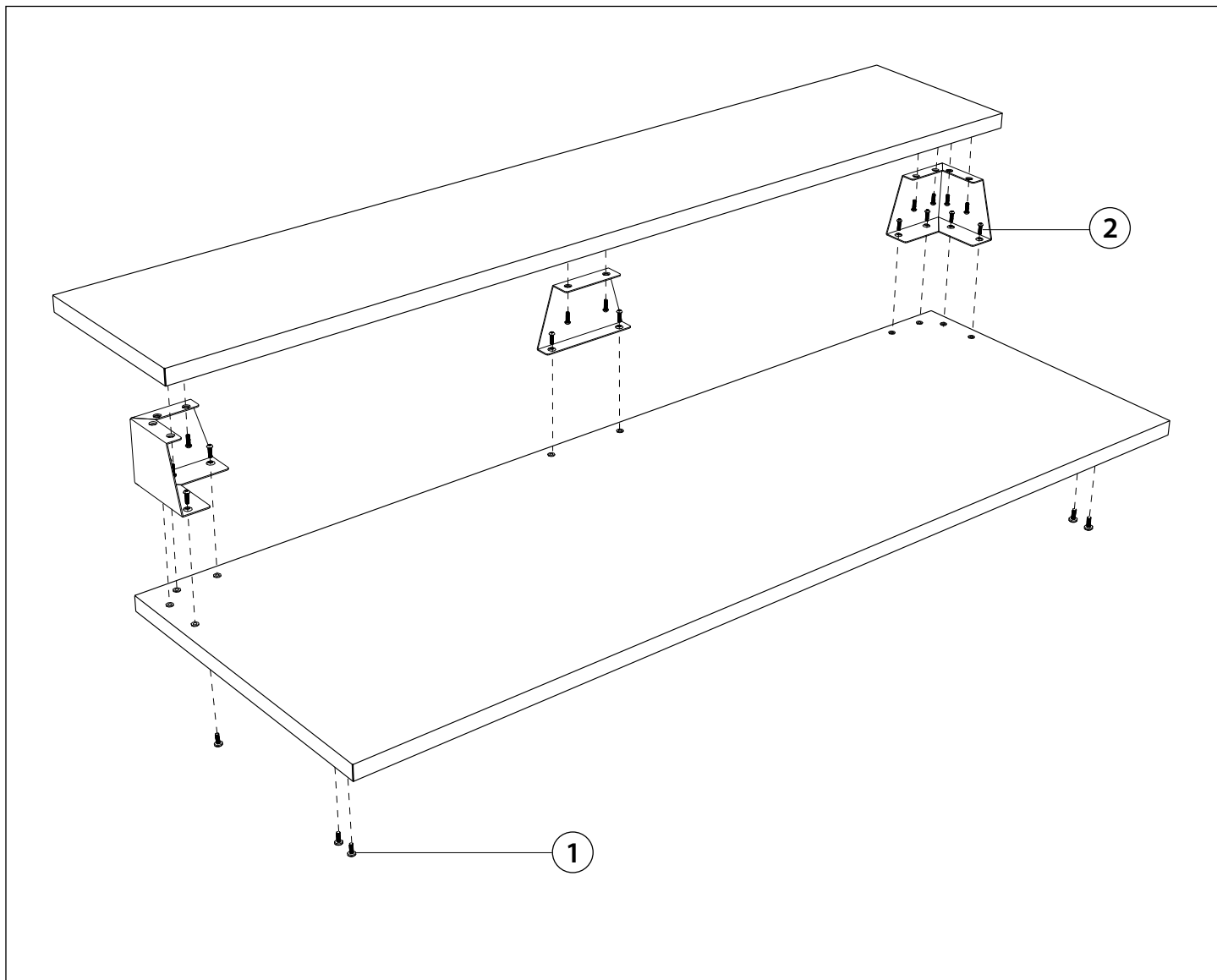


## Installation d'un comptoir en granite avec une tablette de bar sur les armoires

- 3** Maintenez le comptoir en granite au centre, de gauche à droite, et assurez-vous de disposer d'un surplomb de 1-½ po du bord avant du comptoir à la face avant du cadre de l'armoire, comme illustré (A).



## Pièces de rechange - Comptoir en acier inoxydable et granite avec tablette de bar



### Comptoir en acier inoxydable avec tablette de bar (54 po et 72 po)

Numéro technique de

Légende	pièce	Description	Qté
1	H00446A-01	Vis hexagonale à tête ronde M6x10	1
2	H00204A-01	Vis à tête cylindrique M4X10	1

### Comptoir en granite avec tablette de bar (54 po et 72 po)

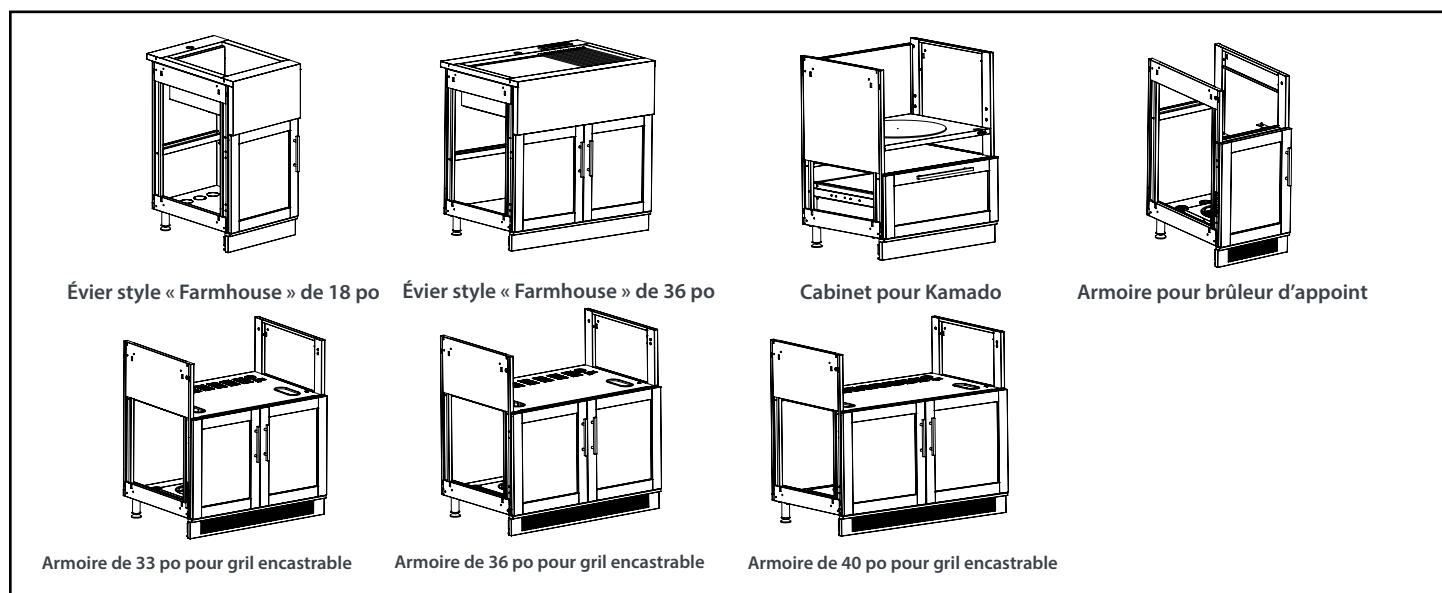
Numéro technique de

Légende	pièce	Description	Qté
1	H00446A-01	Vis hexagonale à tête ronde M6x10	1

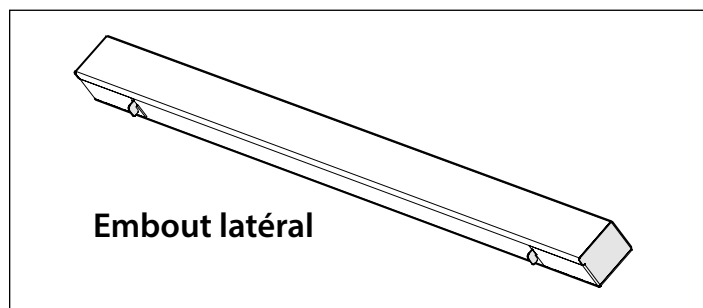
**INSTALLATION DES  
EMBOUTS  
D'EXTRÉMITÉ POUR LES  
ARMOIRES À ÉVIER ET  
ÉLECTROMÉNAGER**

## Installation des embouts d'extrémité latéral pour les armoires à évier et électroménager

**i** Les instructions suivantes s'appliquent aux armoires ci-dessous



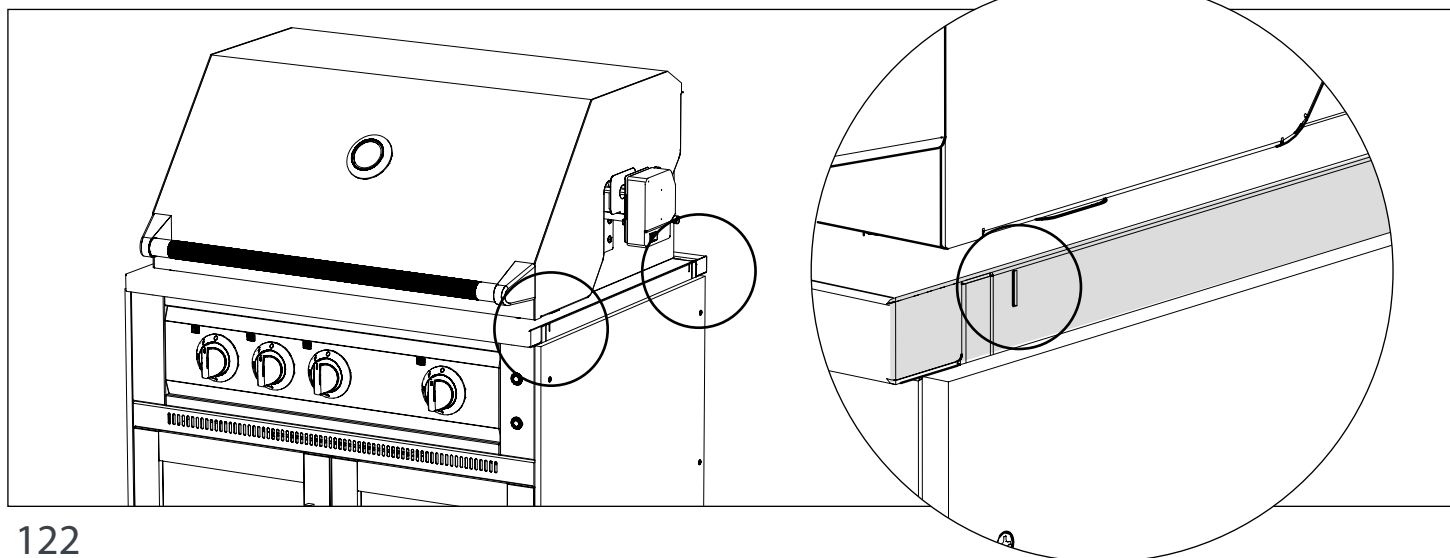
**i** Pièces requises.



**i** **REMARQUE :** L'embout d'extrémité latéral est utilisé à la fin d'un ensemble avec les armoires à électroménager et à évier. Les embouts d'extrémité latéraux ont pour but de couvrir le bord supérieur des armoires.

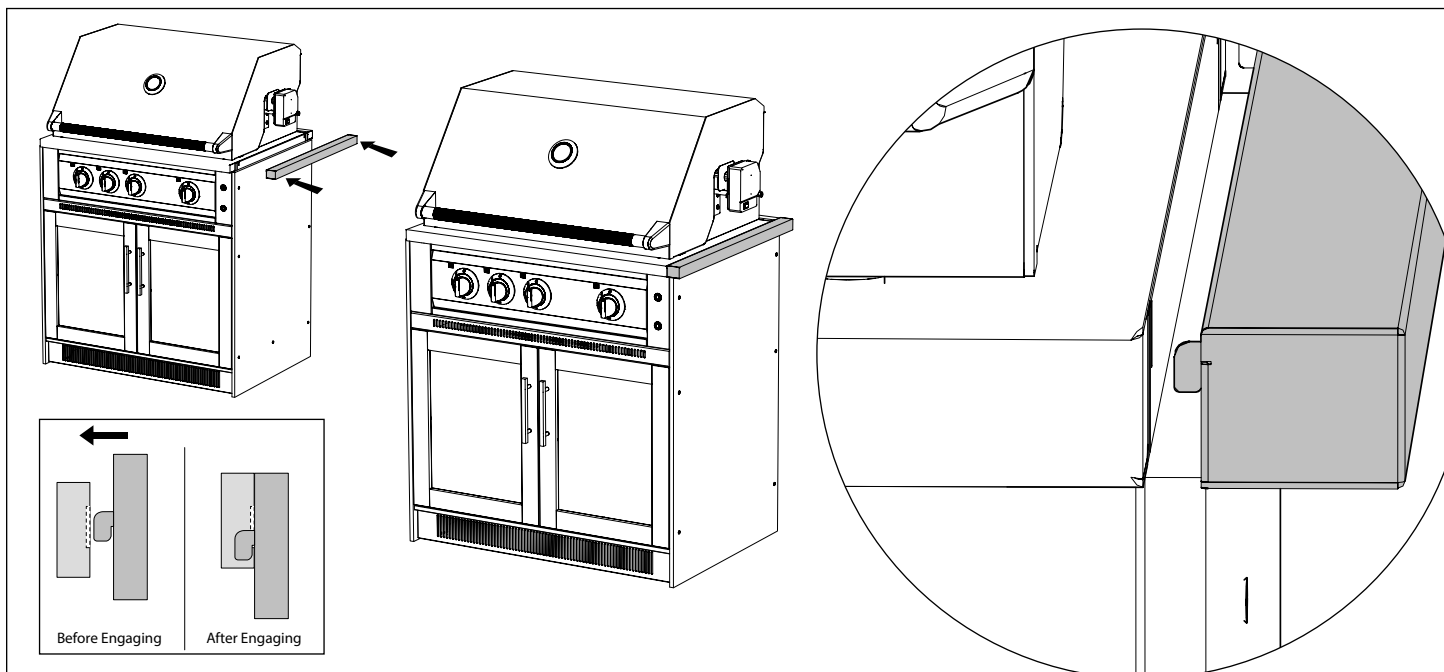
**i** **REMARQUE :** Le meilleur moment pour appliquer la pierre naturelle (ou tout autre matériau de finition) est après avoir installé tous les embouts.

**1** Localisez les fentes sur l'armoire requise pour fixer l'embout latéral

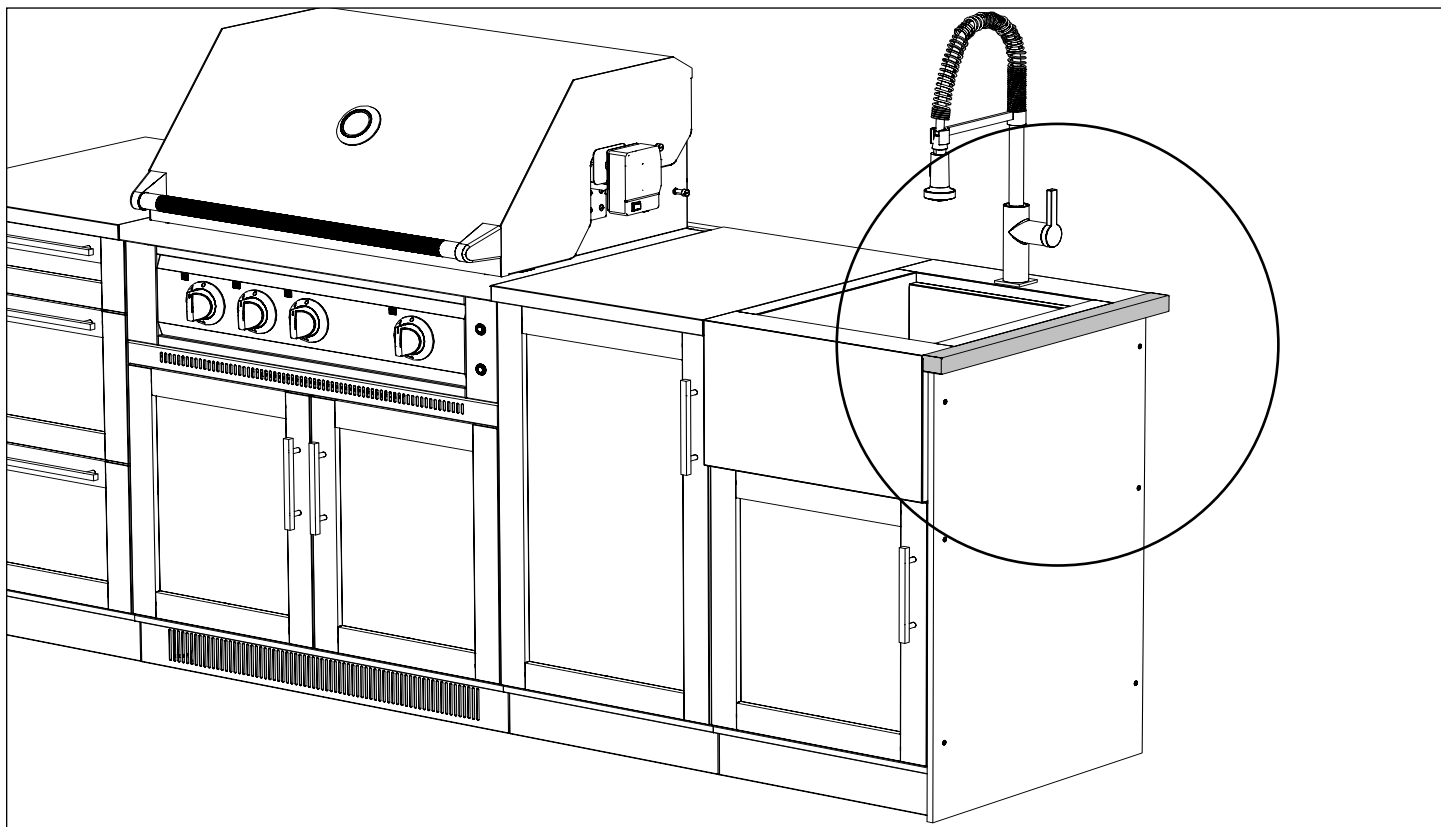


## Installation des embouts d'extrémité latéral pour les armoires à évier et électroménager

- 2** Alignez les embouts latéraux sur les fentes de l'armoire et fixez-les sur le côté requis de l'armoire.

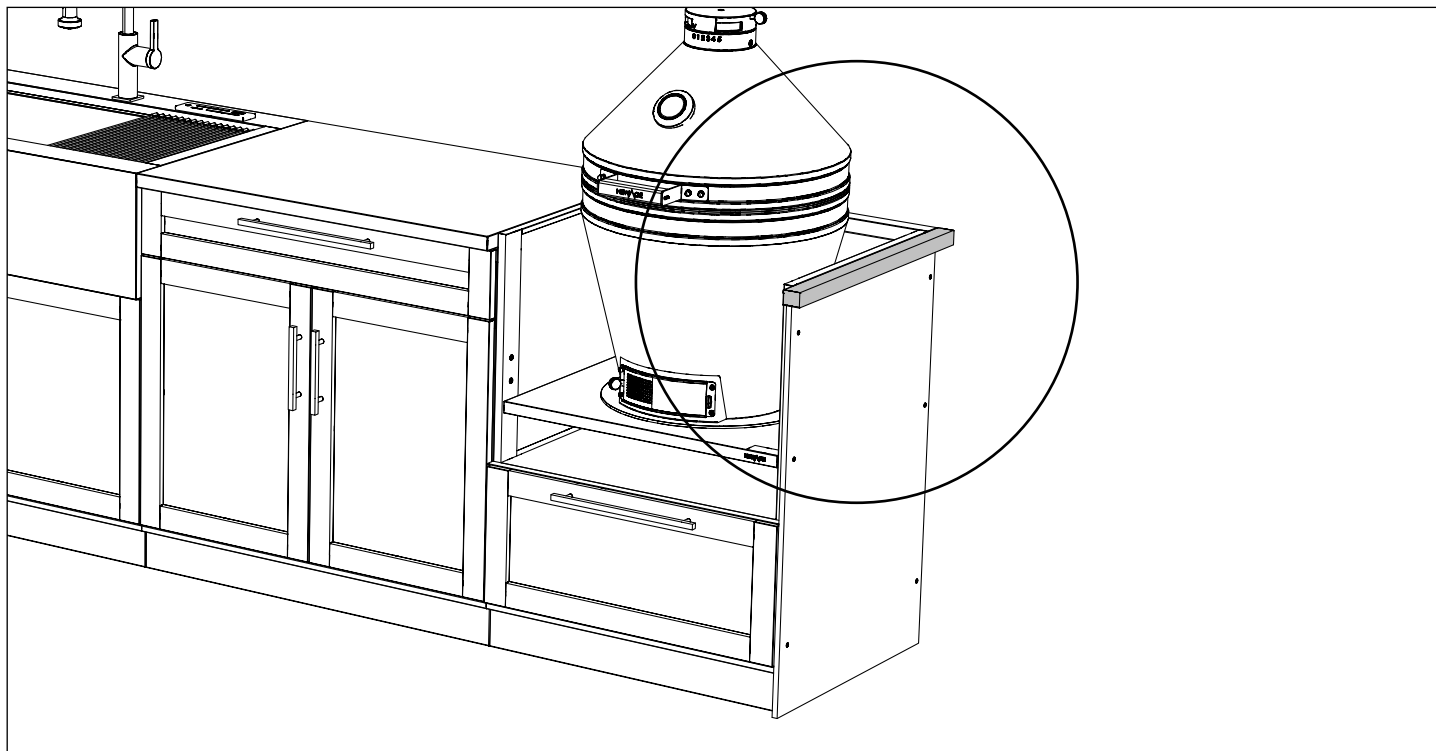


- 4** Suivez les mêmes étapes pour installer l'embout latéral sur les armoires à évier.

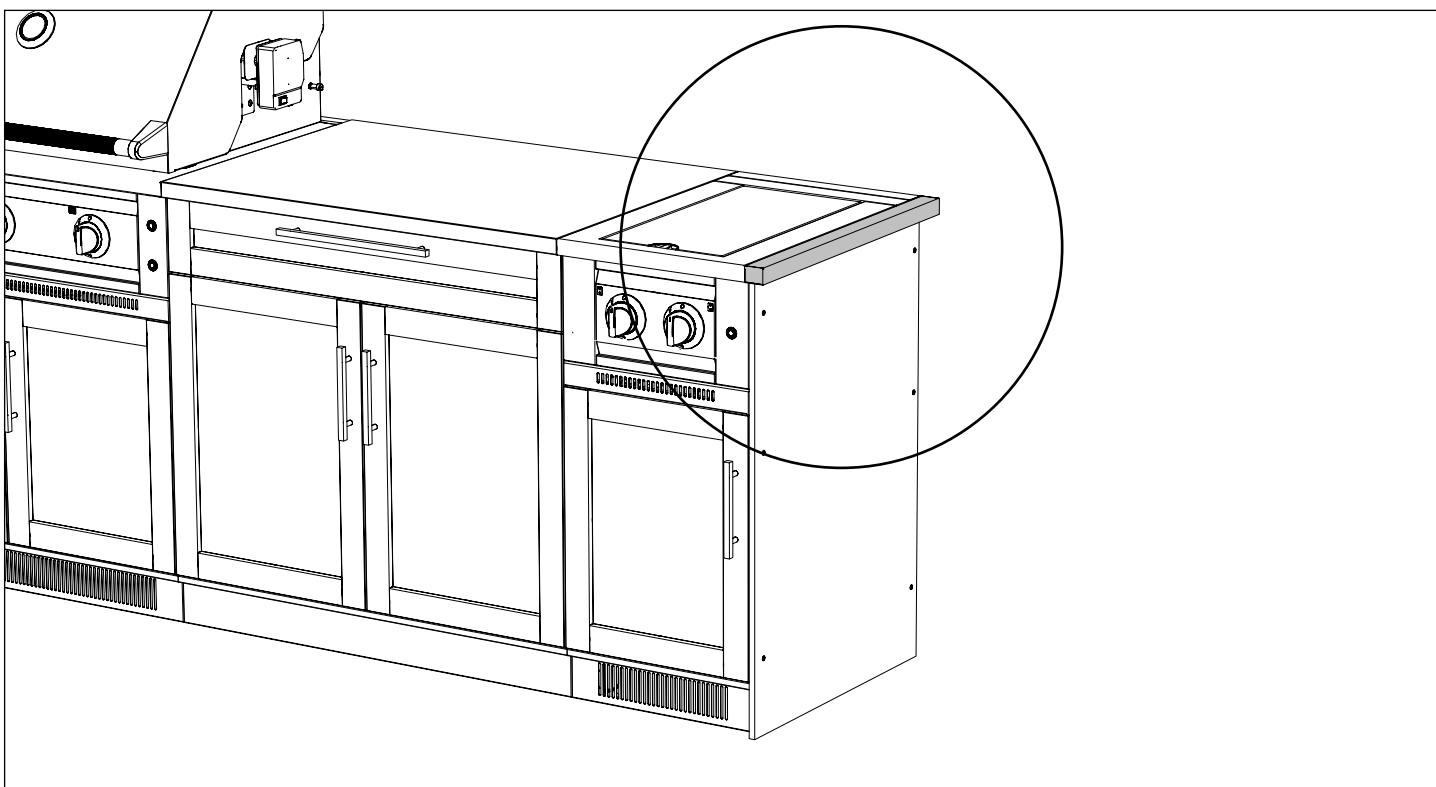


## Installation des embouts d'extrémité latéral pour les armoires à évier et électroménager

- 5** Suivez les mêmes étapes pour l'installation de l'embout latéral sur l'armoire pour Kamado.



- 6** Suivez les mêmes étapes pour installer l'embout latéral sur l'armoire du brûleur d'appoint.

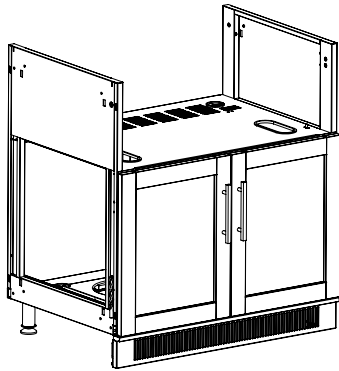


**INSTALLATION DE  
L'ENSEMBLE DE  
SUPPORTS DE  
REPLISSAGE  
D'ARMOIRE POUR GRIL  
ENCASTRABLE**

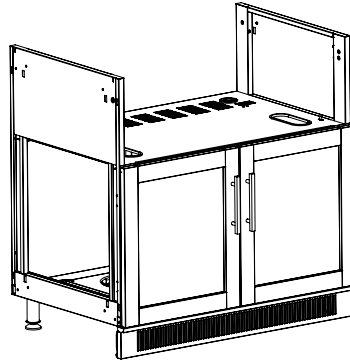
## Installation de l'ensemble de supports de remplissage pour les armoires pour gril encastrable



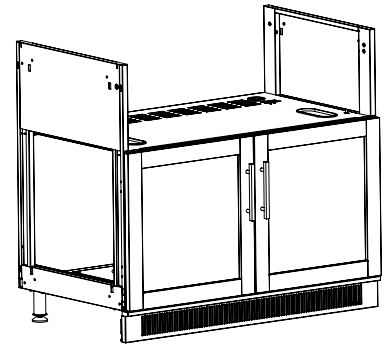
Les instructions suivantes s'appliquent aux armoires ci-dessous.



Armoire de 33 po pour gril encastrable



Armoire de 36 po pour gril encastrable



Armoire de 40 po pour gril encastrable



NewAge propose l'ensemble de supports de remplissage pour gril encastrable en option si vous achetez un gril encastrable par vous-même. L'ensemble de supports de remplissage comprend trois tailles de supports de remplissage latéraux et frontaux (1 po, 1,5 po et 2 po).

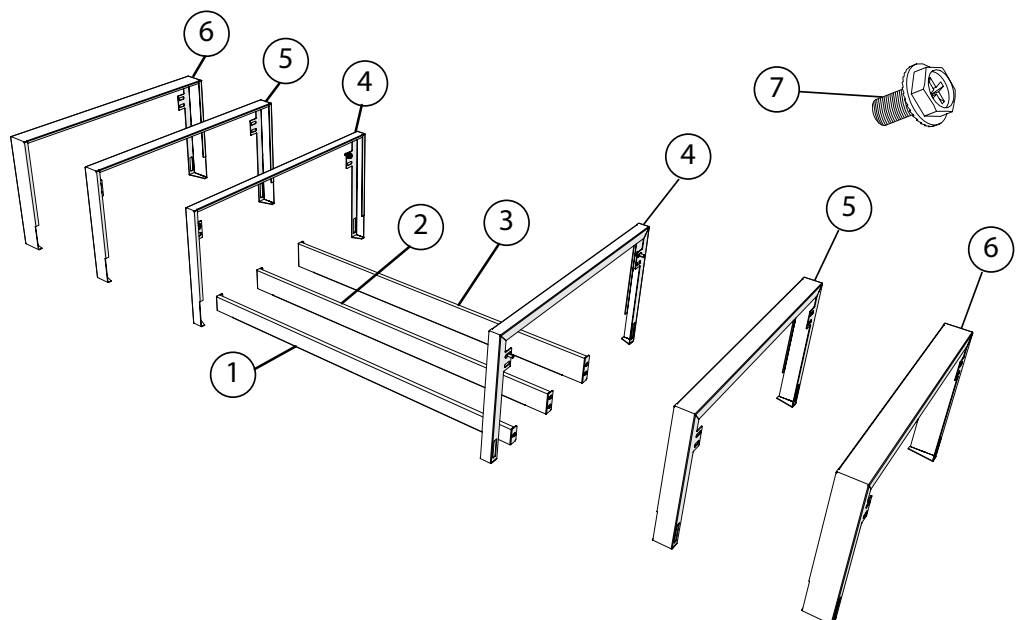
Trois ensembles sont disponibles pour les armoires pour gril encastrable de 33 po, 36 po et 40 po.



**REMARQUE :** Assurez-vous de vérifier les dimensions du gril encastrable que vous achetez et choisissez l'ensemble de supports de remplissage approprié à vos besoins.

### Ensemble de supports de remplissage

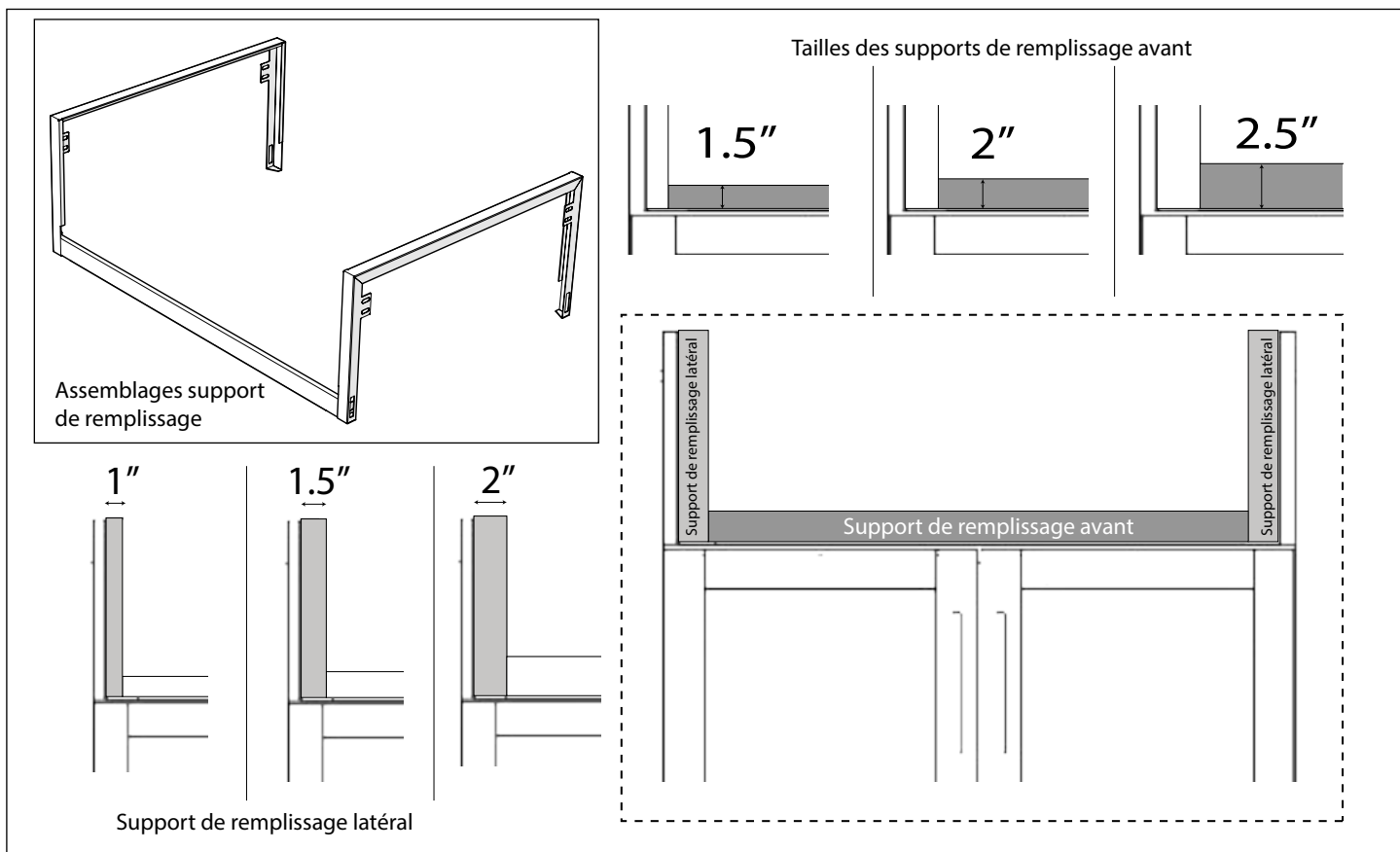
Article	Composants	Taille
1	Support avant (x1)	1,5 po
2	Support avant (x1)	2 po
3	Support avant (x1)	2,5 po
4	Support latéral (x2)	1 po
5	Support latéral (x2)	1,5 po
6	Support latéral (x2)	2 po
7	Vis à tête hexagonale (x12)	M6 x 12



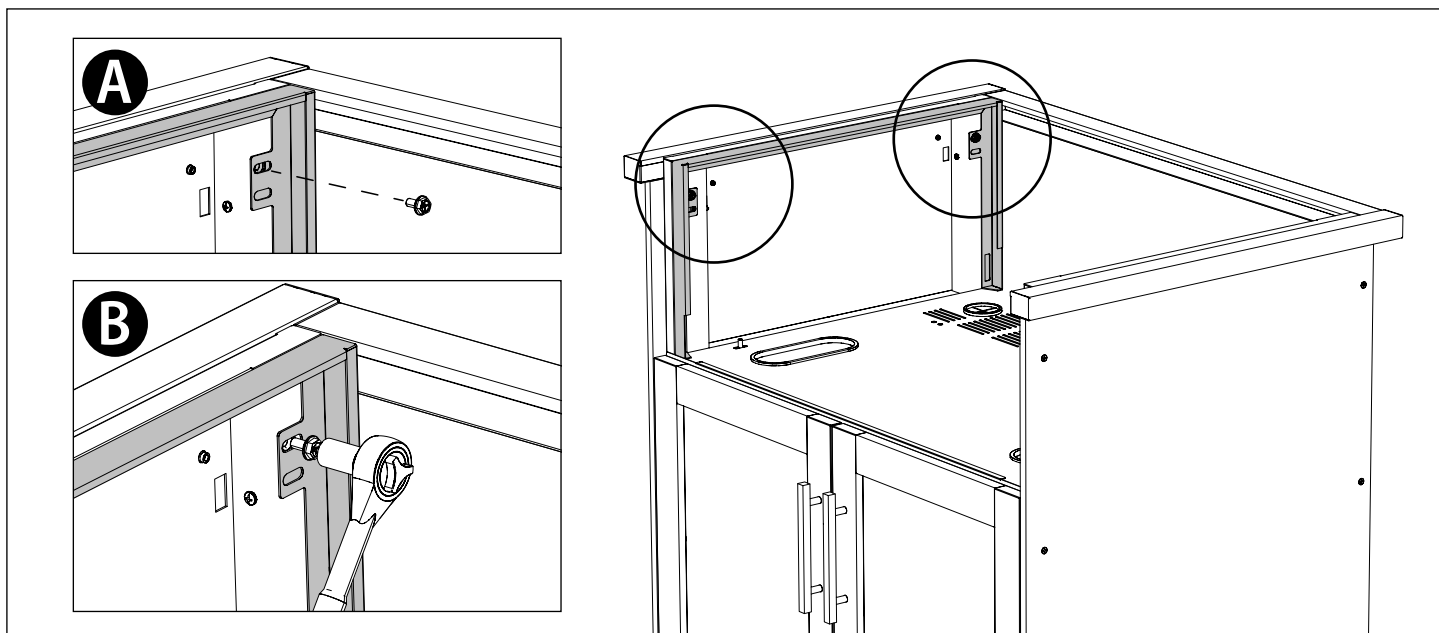


## Installation de l'ensemble de supports de remplissage pour les armoires pour grill encastrable

**i** L'ensemble de supports de remplissage peut être assemblé avec une combinaison de 3 tailles de supports latéraux et de 3 tailles de supports frontaux en fonction de vos besoins et de la taille de l'armoire pour grill encastrable achetée.

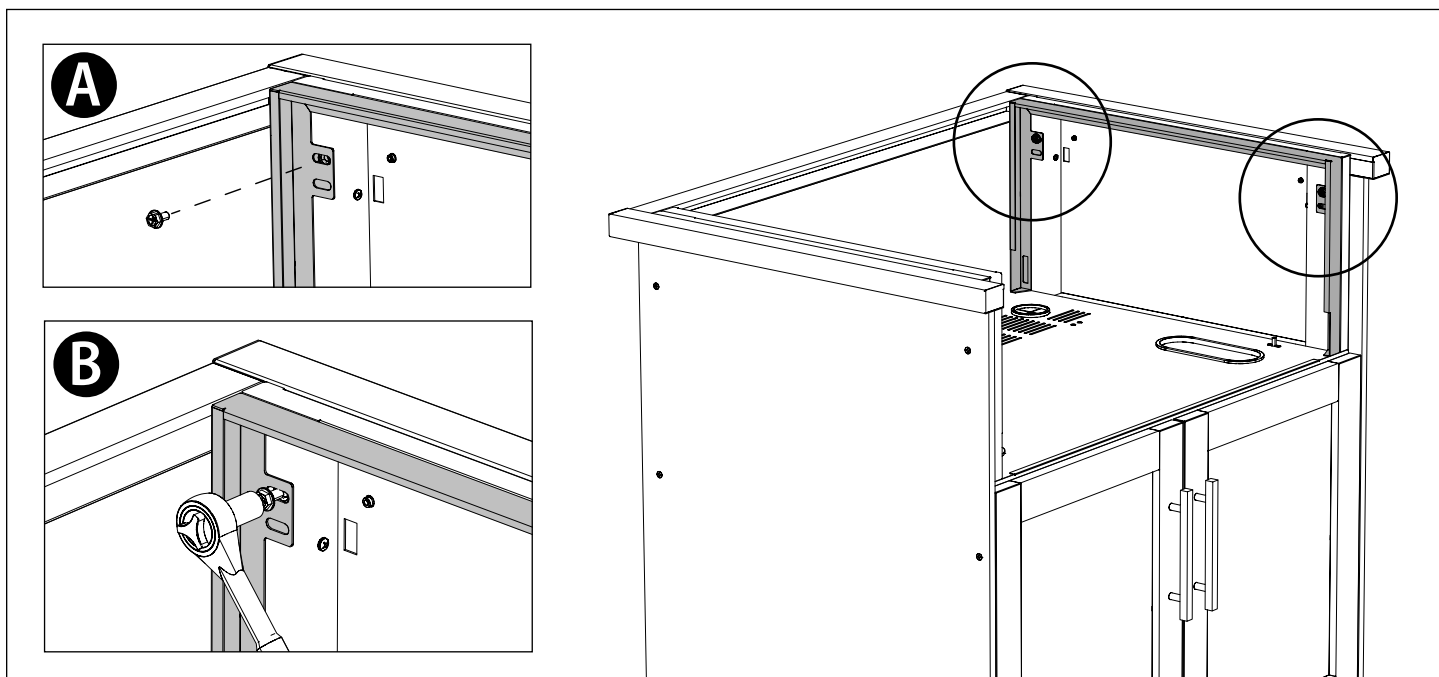


**1** Installez d'abord le support latéral gauche selon la taille requise avec deux boulons sur les côtés avant et arrière du support (A). Utilisez une clé à douille pour serrer les deux boulons (B).

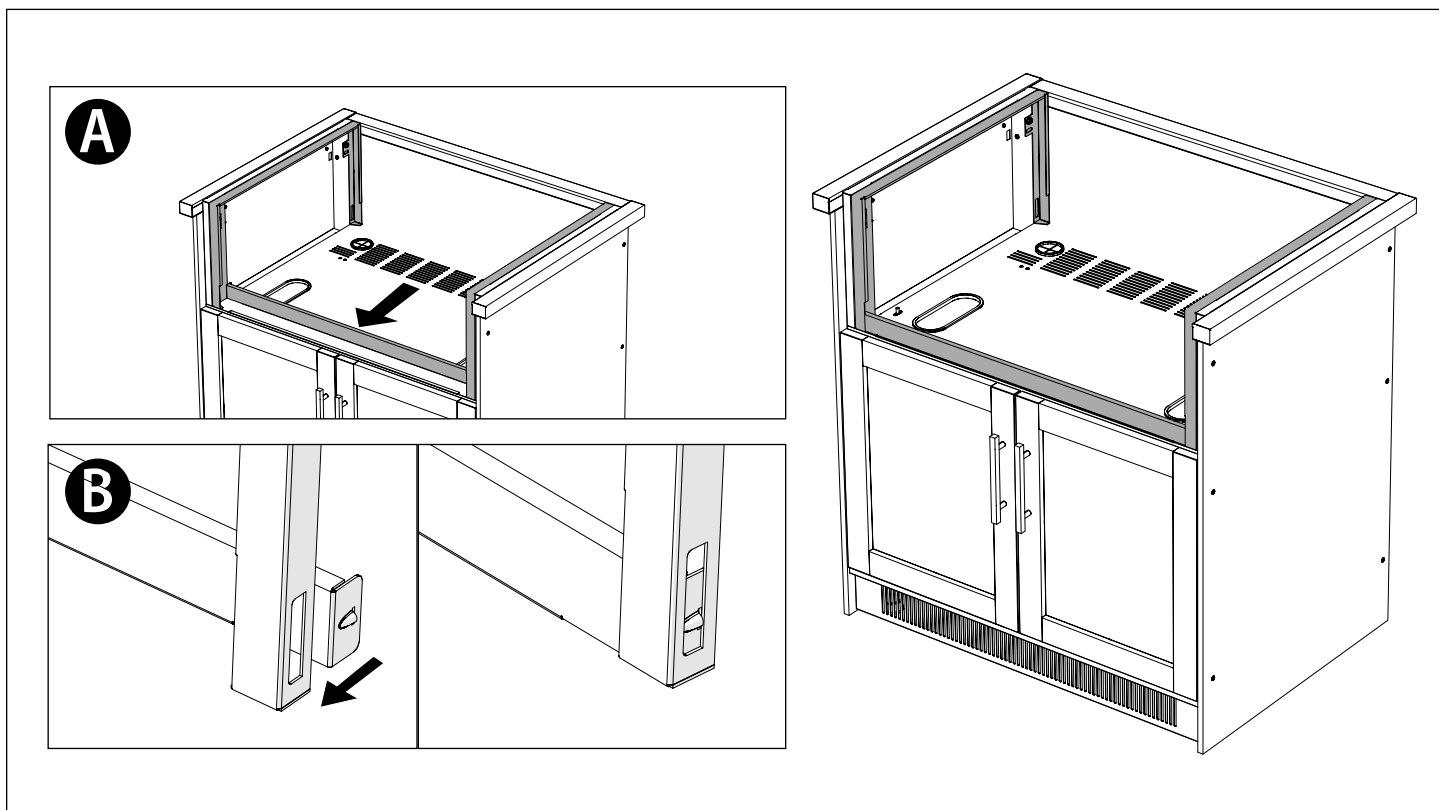


## Installation de l'ensemble de supports de remplissage pour les armoires pour gril encastrable

- 2** Ensuite, installez le support latéral droit selon la taille requise avec deux boulons sur les côtés avant et arrière du support (A).  
Utilisez une clé à douille pour serrer les deux boulons (B).



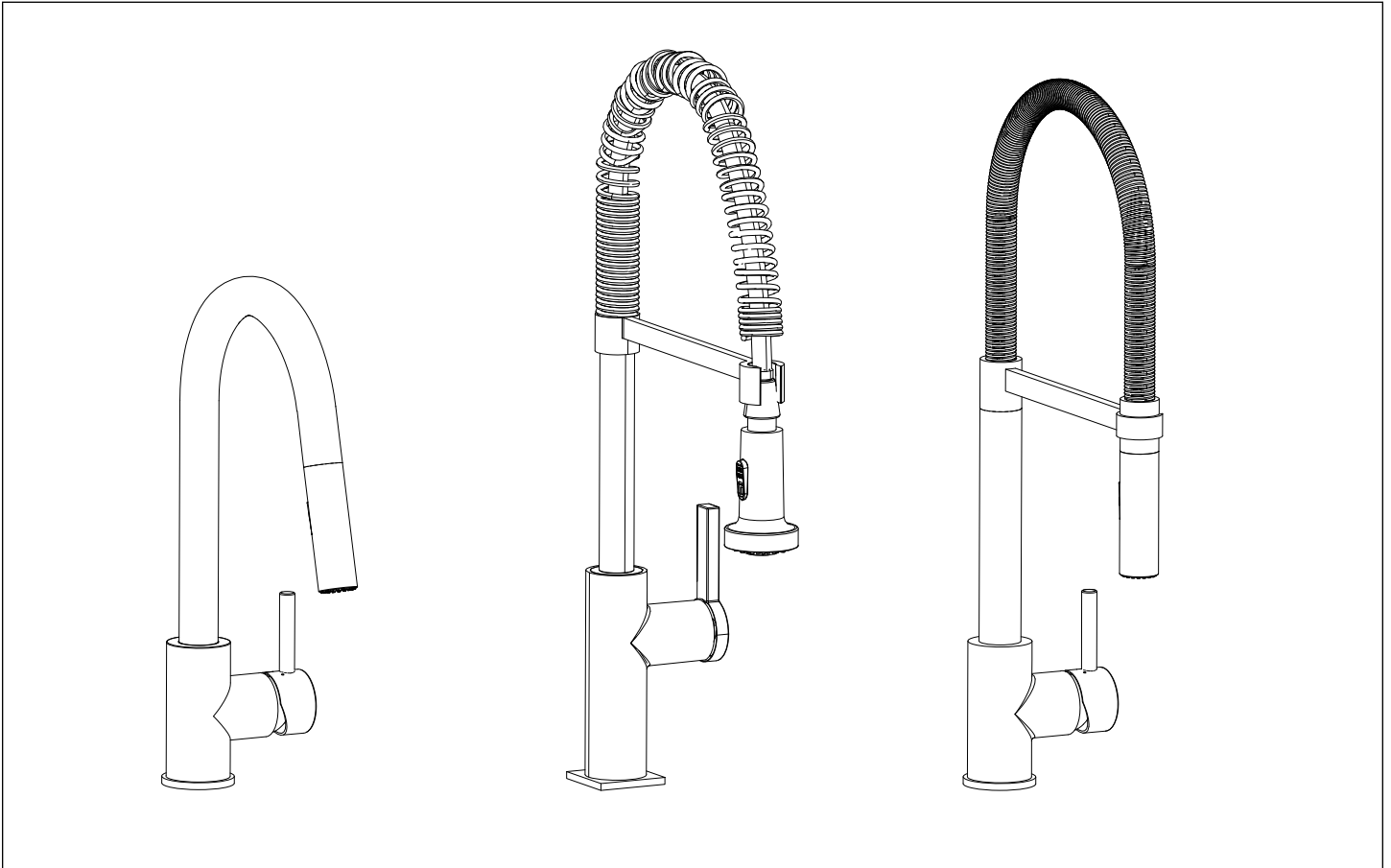
- 3** Faites glisser le support avant (A) de l'intérieur et emboîtez (B) le support avant sur les supports latéraux.



# **INSTALLATION DES ROBINETS**

# Installation de robinets

**i** Pour les instructions d'installation des robinets NewAge, veuillez vous référer au GUIDE D'INSTALLATION DES ROBINETS sur le **site Internet du centre d'assistance NewAge**

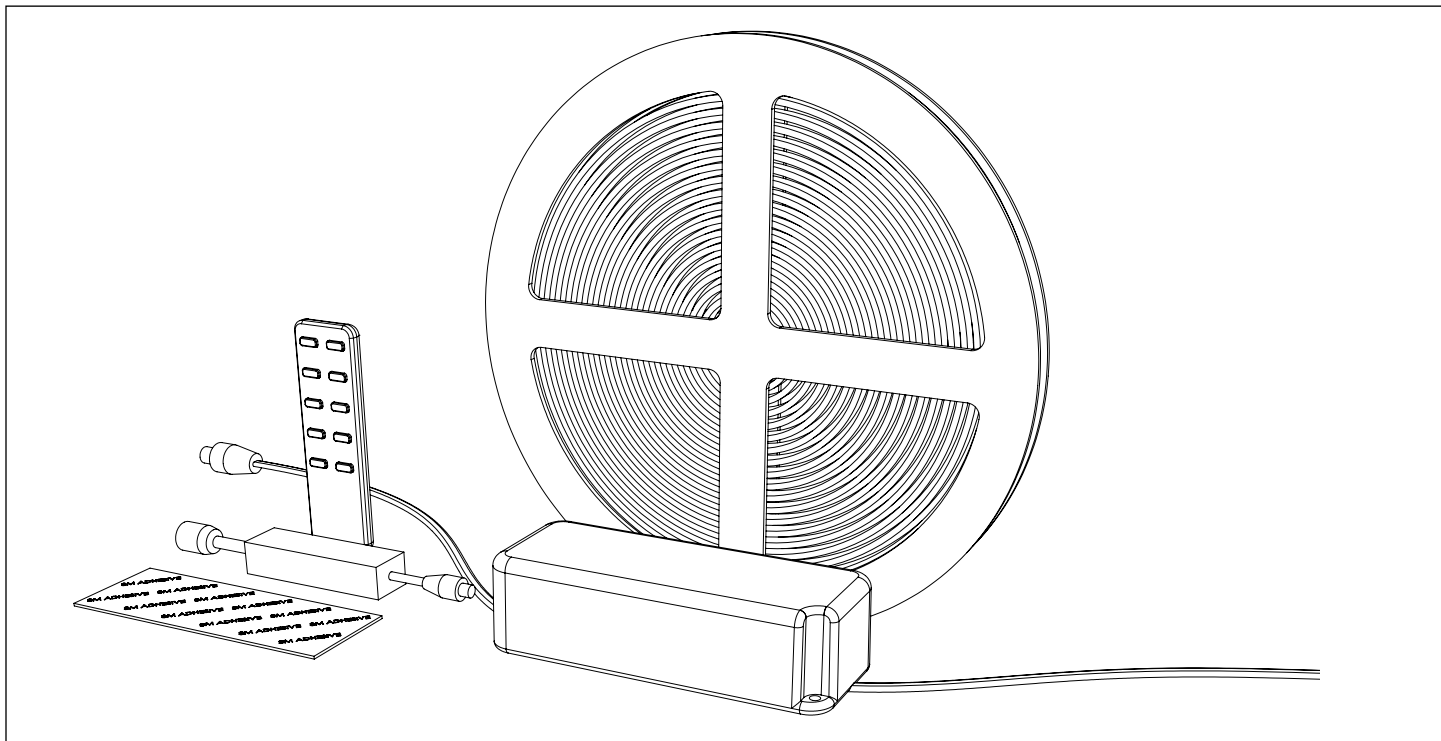


# **INSTALLATION DES LAMPES À DEL**

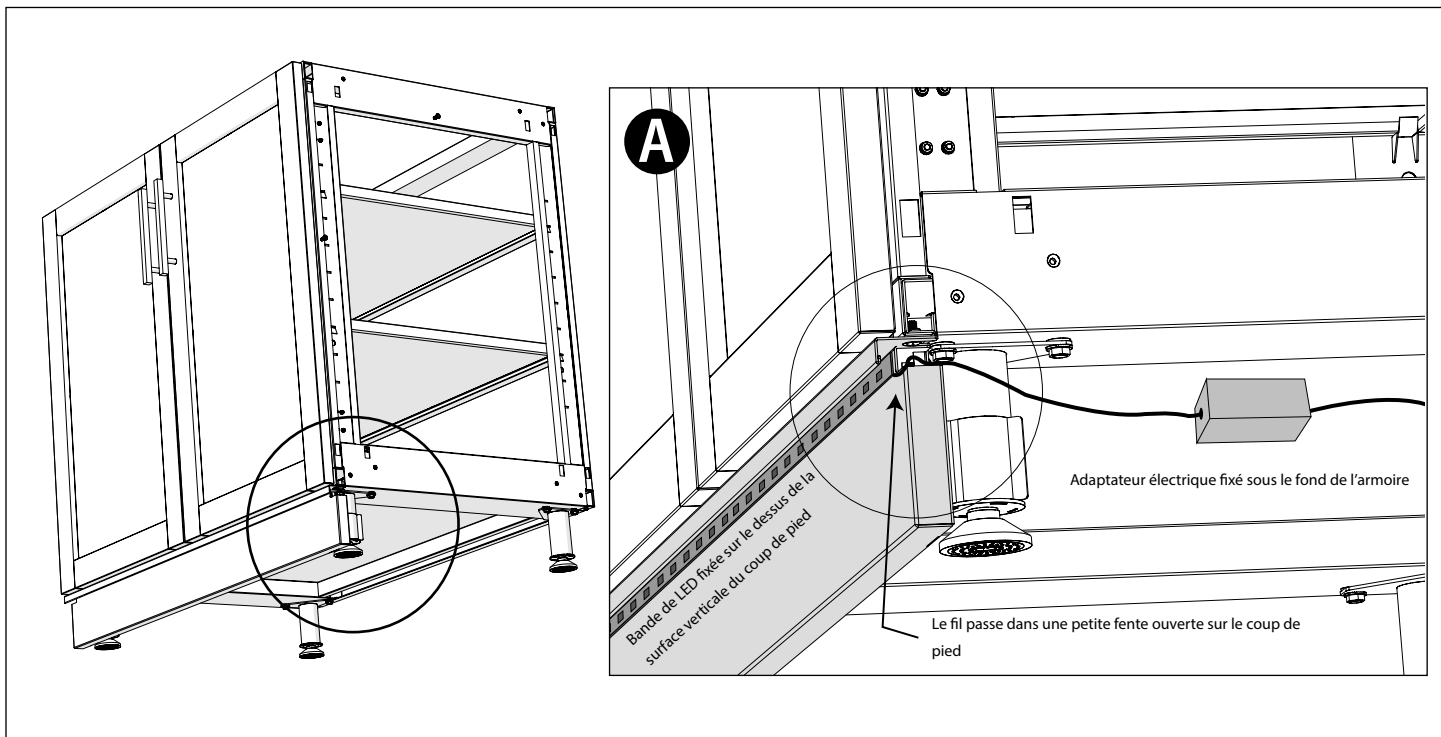
# Ensemble d'installation des DEL



Pour l'installation de l'ensemble de DEL, veuillez vous référer au GUIDE D'INSTALLATION DE L'ENSEMBLE DE LAMPE À DEL sur le **site Internet du centre d'assistance NewAge**

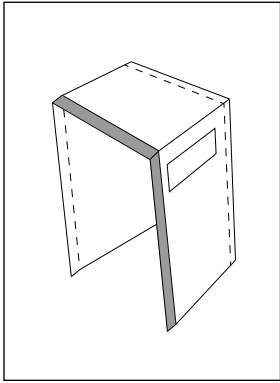


**REMARQUE :** La bande à DEL est installée sur le coup-de-pied comme indiqué (A) avec l'adaptateur d'alimentation qui peut être collé sur la surface inférieure des armoires.

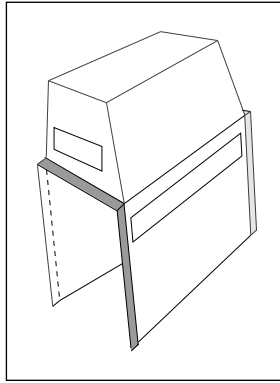


# **INSTALLATION DES EMBOUTS D'ARMOIRE**

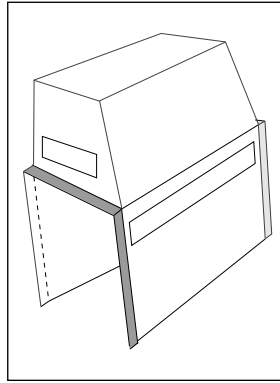
# Embouts d'armoires



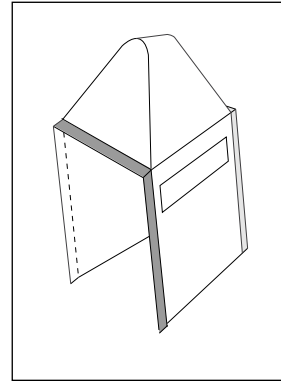
Embout du brûleur d'appoint de 16 po



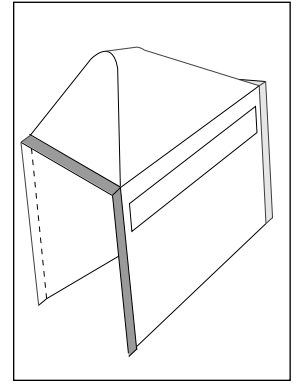
Gril Platinum de 33 po  
Embout de l'armoire



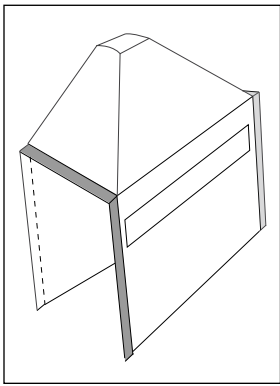
Gril Platinum de 40 po  
Embout de l'armoire



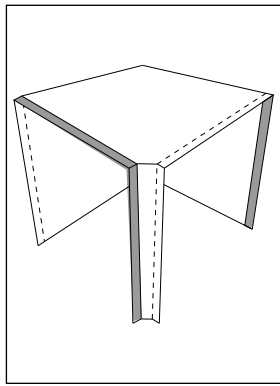
Embout d'armoire à évier de  
18 po



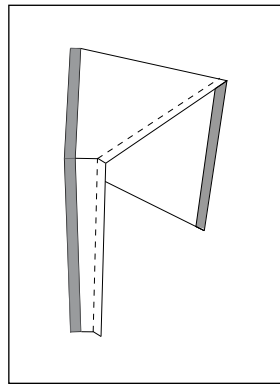
Embout d'armoire à évier de  
36 po



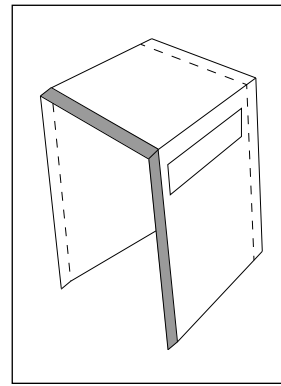
Embout d'armoire pour Kamado



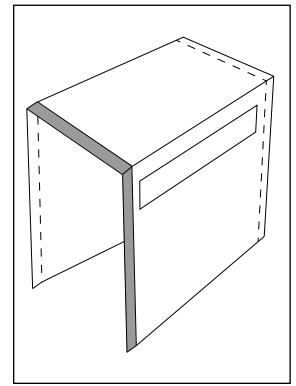
Embout d'armoire en angle  
à 90°



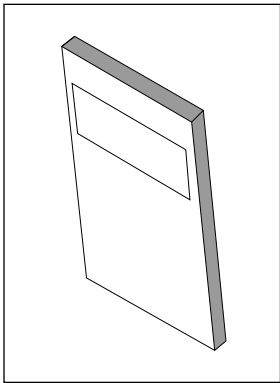
Embout d'armoire en angle  
à 45°



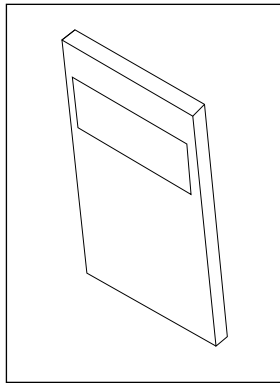
Embout d'armoire de  
18 po



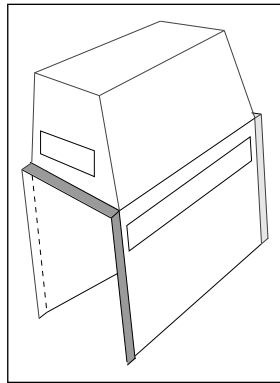
Embout d'armoire de  
36 po



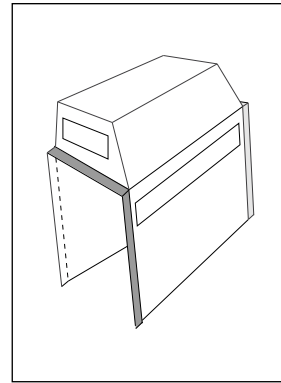
Embout droit de l'armoire



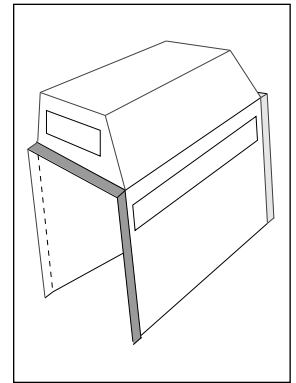
Embout gauche de l'armoire



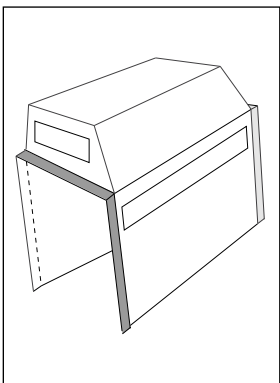
Gril Platinum de 36 po  
Embout de l'armoire



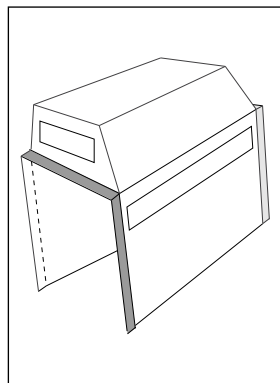
Gril Performance de 33 po  
Embout de l'armoire



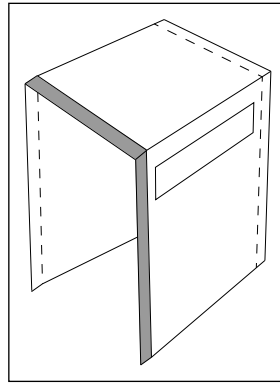
Gril Performance de 36 po  
Embout de l'armoire



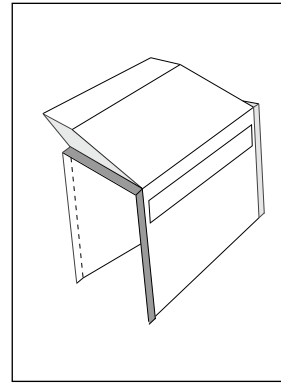
Gril Performance de 40 po  
Embout de l'armoire



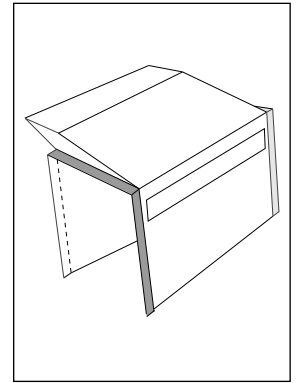
Embout de four à pizza  
encastrable de 33 po



Embout d'armoire de 24 po



Ensemble d'armoires de 54 po  
avec embout de comptoir  
de bar



Ensemble d'armoires de 72 po  
avec embout de comptoir  
de bar



# Embouts d'armoires

Embout d'armoire de cuisine extérieure Signature		
Légende	Description	UGS
1	Armoires de cuisine extérieure Signature, Embout d'armoire de brûleur d'appoint de 16 po	66170
2	Armoires de cuisine extérieure Signature, Embout d'armoire pour gril de 33 po	66171
3	Armoires de cuisine extérieure Signature, Embout d'armoire pour gril de 40 po	66172
4	Armoires de cuisine extérieure Signature, Embout d'armoire à évier de 18 po	66173
5	Armoires de cuisine extérieure Signature, Embout d'armoire à évier de 36 po	66174
6	Armoires de cuisine extérieure Signature, Embout d'armoire pour Kamado	66175
7	Armoires de cuisine extérieure Signature, Embout d'armoire en angle à 90 degrés	66176
8	Armoires de cuisine extérieure Signature, Embout d'armoire en angle à 45 degrés	66177
9	Armoires de cuisine extérieure Signature, Embout d'armoire de 18 po	66178
10	Armoires de cuisine extérieure Signature, Embout d'armoire de 36 po	66179
11	Embout droit des armoires de cuisine extérieure Signature	66180
12	Embout gauche des armoires de cuisine extérieure Signature	66181
13	Armoires de cuisine extérieure Signature, Embout d'armoire pour gril de 36 po	66182
14	Armoires de cuisine extérieure Signature, Embout d'armoire pour gril Performance de 33 po	66183
15	Armoires de cuisine extérieure Signature, Embout d'armoire pour grille Performance de 36 po	66184
16	Armoires de cuisine extérieure Signature, Embout d'armoire pour gril Performance de 40 po	66185
17	Armoires de cuisine extérieure Signature, Embout d'armoire de 24 po	66186
18	Armoires de cuisine extérieure Signature, ensemble d'armoires de 54 po avec embout de comptoir de bar	66187
19	Armoires de cuisine extérieure Signature, ensemble d'armoires de 72 po avec embout de comptoir de bar	66188
20	Armoires de cuisine extérieure Signature, Embout de four à pizza encastrable de 33 po	66189

# Embout d'armoire d'ensemble standard

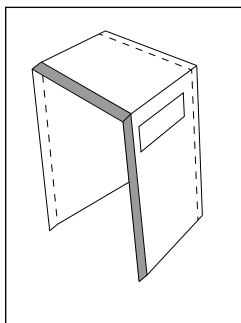
L'ensemble standard est créé avec les dimensions d'embout standard des embouts d'armoire et les embouts d'extrémité droit et gauche



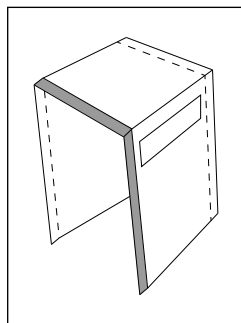
Pour les armoires standard, la longueur de la pièce d'embout principale est supérieure d'un pouce à la longueur des armoires correspondantes (afin de pouvoir fixer les embouts de manière séquentielle pour un ensemble d'armoires.)

Il y a 4 tailles différentes pour les embouts standard principaux qui sont pour les 16 po, 18 po, 24 po (réfrigérateur) et 36 po, respectivement.

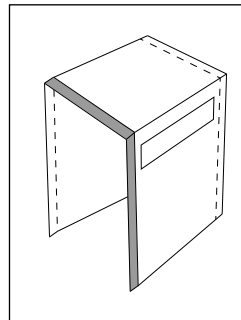
Une ou plusieurs embouts peuvent être utilisés en fonction du type d'ensemble pour couvrir les armoires.



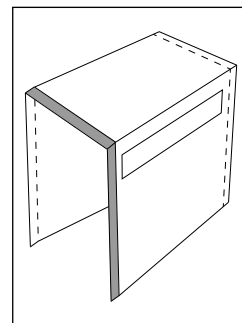
Embout de brûleur d'appoint de 16 po



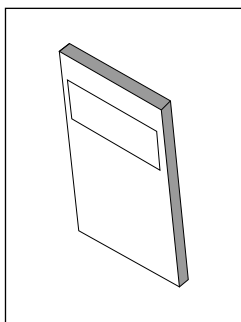
Embout d'armoire de 18 po



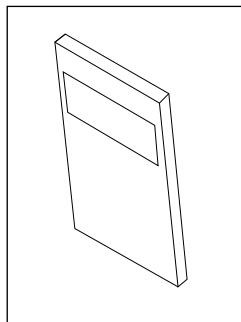
Embout d'armoire de 24 po



Embout d'armoire de 36 po



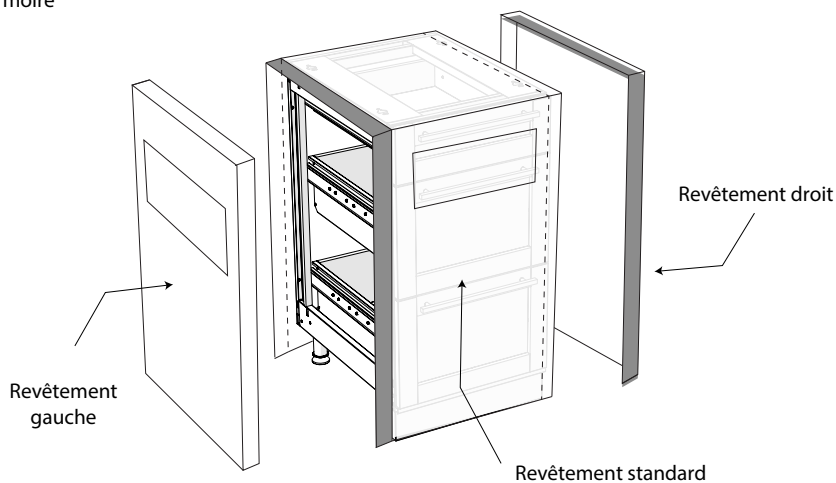
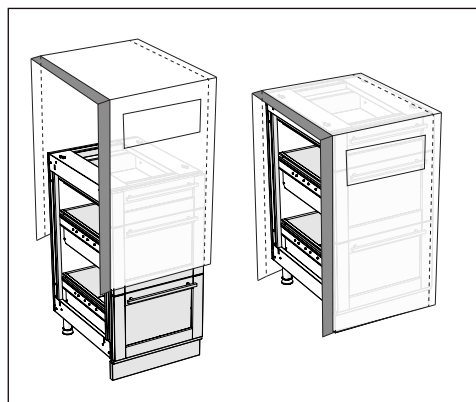
Embout d'extrémité droite de l'armoire



Embout d'extrémité gauche de l'armoire



**REMARQUE :** Les embouts droit et gauche sont universels et sont utilisées pour couvrir les deux extrémités de tous les types d'ensembles d'armoires.

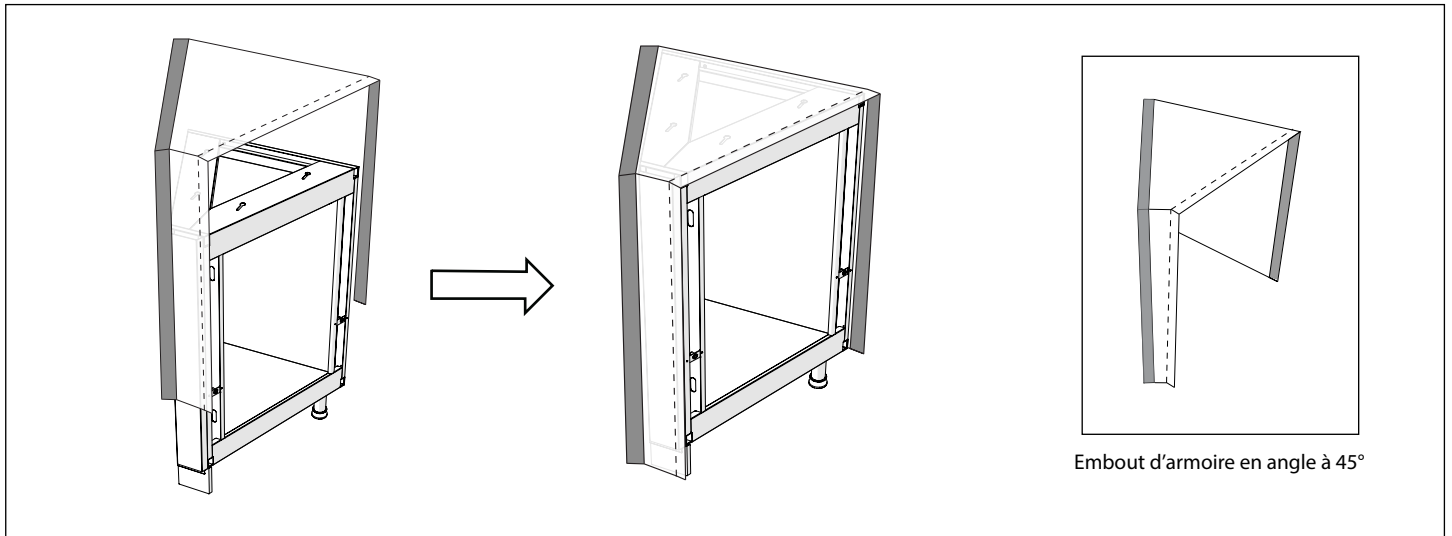


# Embout d'armoire en angle à 45°



L'embout d'armoire en angle à 45° est utilisé pour les dispositions d'ensemble armoires en angle. Il est toujours accompagné d'autres embouts en fonction du type d'ensemble d'angle et du nombre d'armoires.

Du velcro est fourni aux deux extrémités pour joindre les autres embouts de l'ensemble.



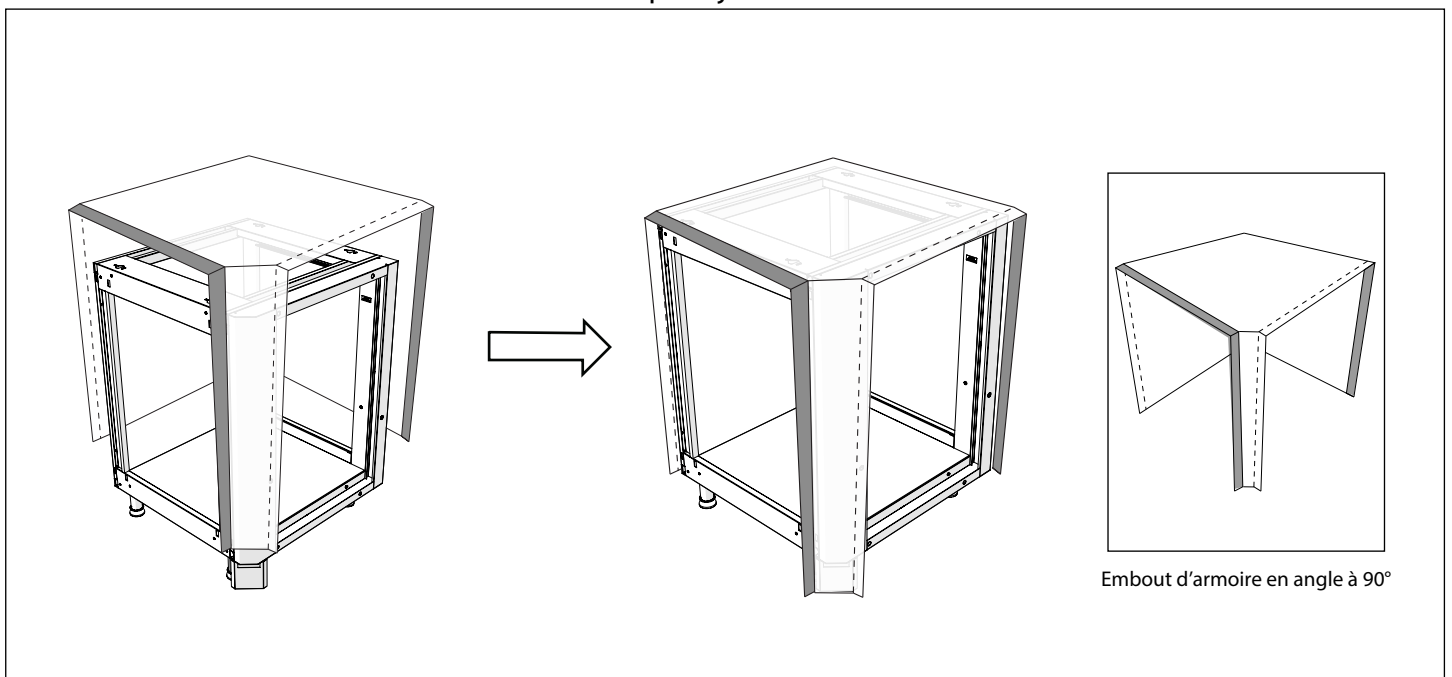
# Embout d'armoire en angle à 90°



L'embout d'armoire en angle à 90° est utilisé pour les dispositions d'armoires en angle, d'armoires en « L » et d'armoires en « U ».

Il est toujours accompagné d'autres embouts en fonction du type d'ensemble et du nombre d'armoires.

Du velcro est fourni aux deux extrémités pour joindre les autres embouts de l'ensemble.



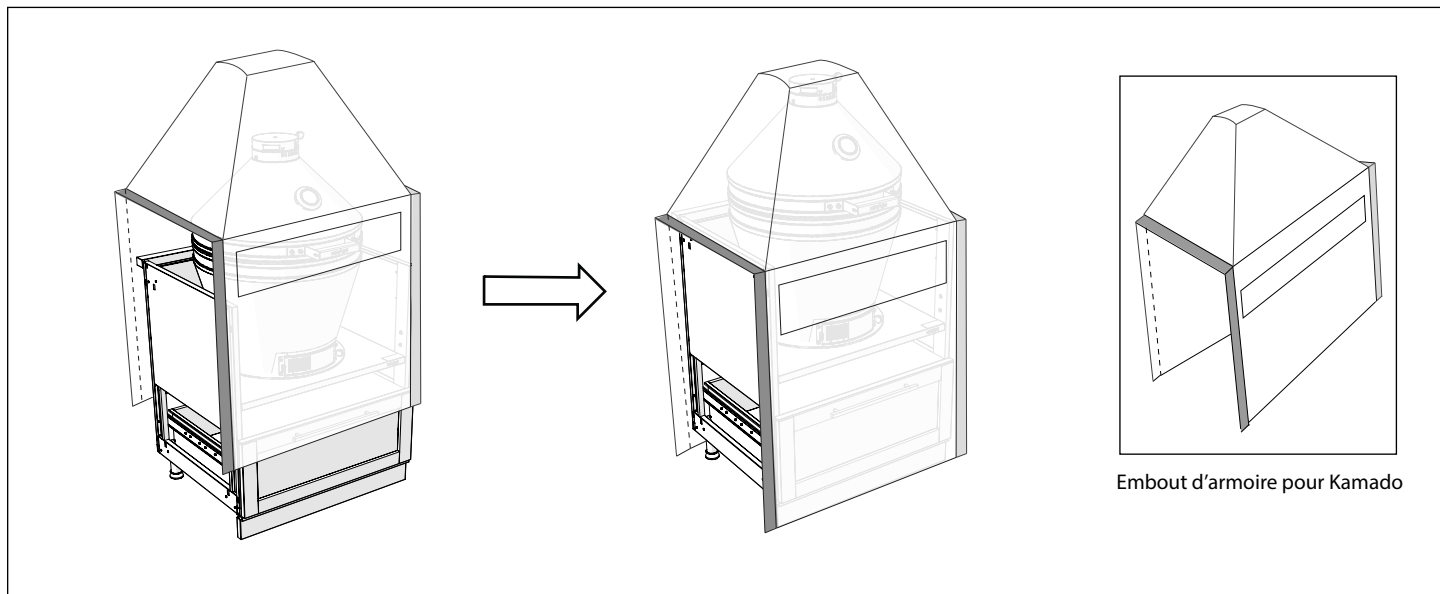
# Embout d'armoire pour Kamado

L'embout pour Kamado est utilisé pour un ensemble comprenant l'armoire pour Kamado et le gril Kamado.



Il est toujours accompagné d'autres embouts en fonction du type d'ensemble et du nombre d'armoires.

Du velcro est fourni aux deux extrémités pour joindre les autres embouts de l'ensemble.



Embout d'armoire pour Kamado

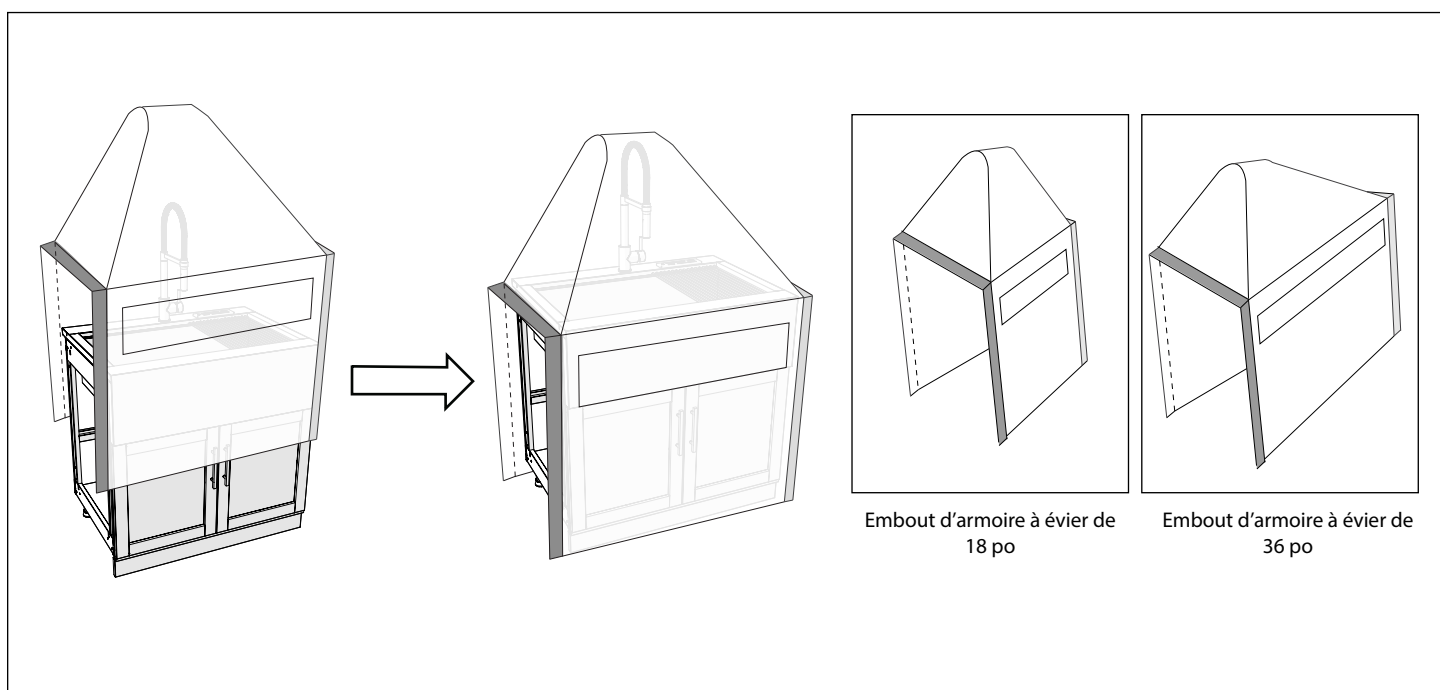
# Embouts d'armoire à évier

Les embouts d'armoires à évier sont utilisées pour un ensemble qui comprend les armoires à évier avec les robinets pour les tailles 18 et 36 po.



Il est toujours accompagné d'autres embouts, selon le type d'ensemble et le nombre d'armoires.

Du velcro est fourni aux deux extrémités pour joindre les autres embouts de l'ensemble.



Embout d'armoire à évier de  
18 po

Embout d'armoire à évier de  
36 po

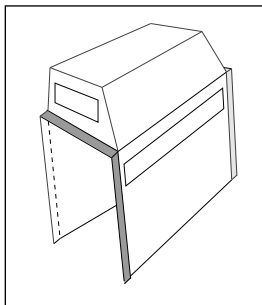
# Embouts d'appareils



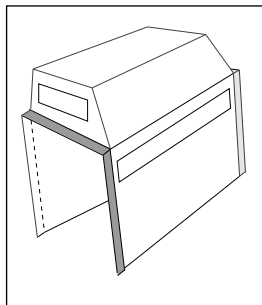
Les embouts de l'appareil sont utilisés pour un ensemble qui comprend les armoires pour grill de 33 po, 36 po et 40 po avec les grills encastrables et le four à pizza intégré.

Il est toujours accompagné d'autres embouts, selon le type d'ensemble et le nombre d'armoires.

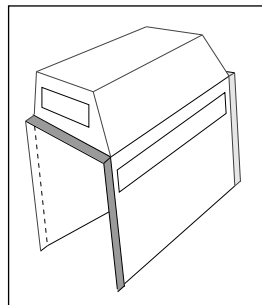
Du velcro est fourni aux deux extrémités pour joindre les autres embouts de l'ensemble.



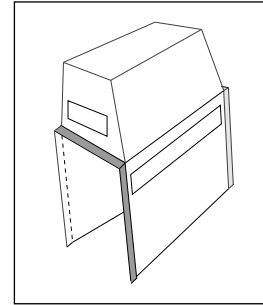
Embout d'armoire du grill Platinum de 33 po



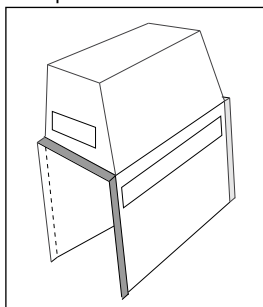
Embout d'armoire du grill Platinum de 40 po



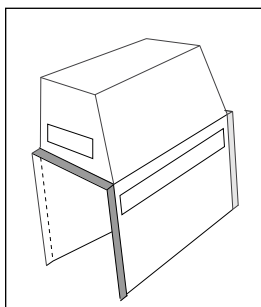
Embout d'armoire du grill Platinum de 36 po



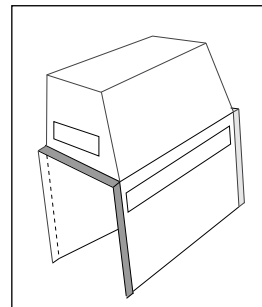
Embout de l'armoire du grill Performance de 33 po



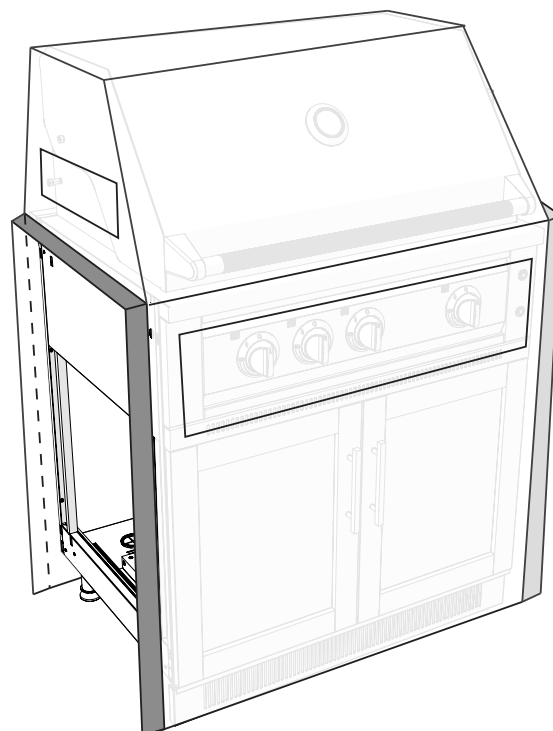
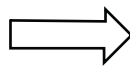
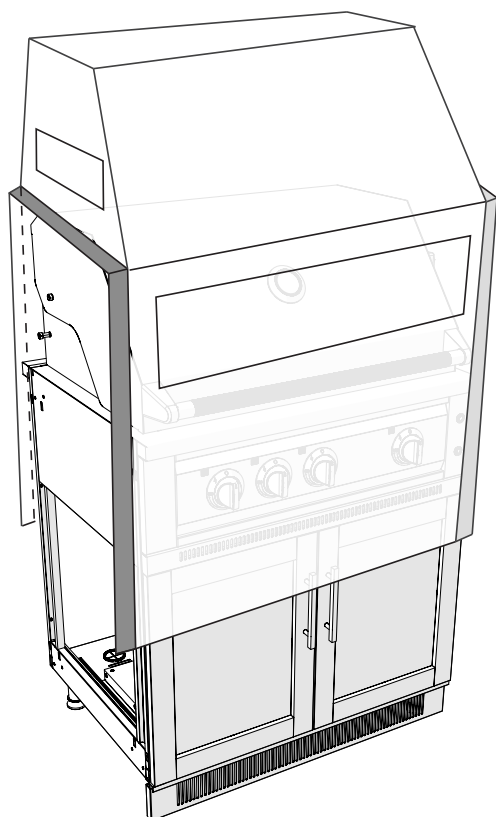
Embout de l'armoire du grill Performance de 36 po



Embout de l'armoire du grill Performance de 40 po



Embout du Platinum Intégré Four à pizza de 33 po



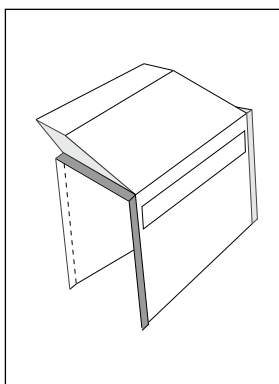
# Ensembles d'armoires avec embouts de comptoir de bar

Les ensembles d'armoires avec embouts de comptoir de bar sont utilisés pour un ensemble qui comprend les ensembles d'armoires de 54 po et 72 po avec le comptoir du bar.

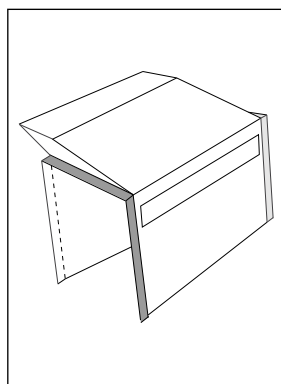


Il est toujours accompagné d'autres embouts en fonction du type d'ensemble et du nombre d'armoires.

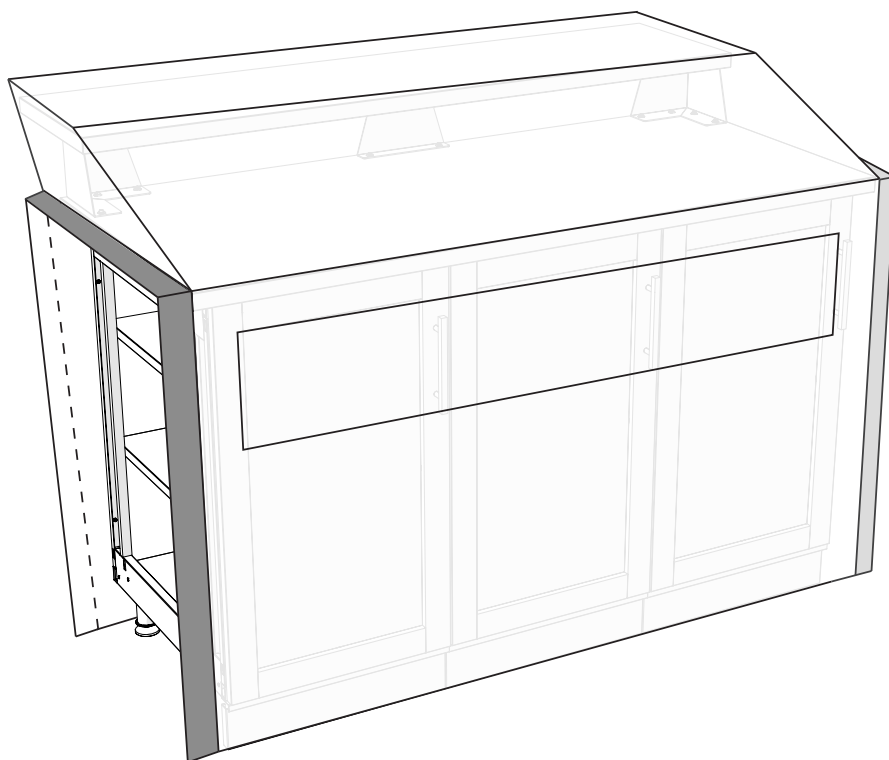
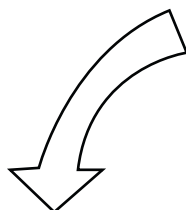
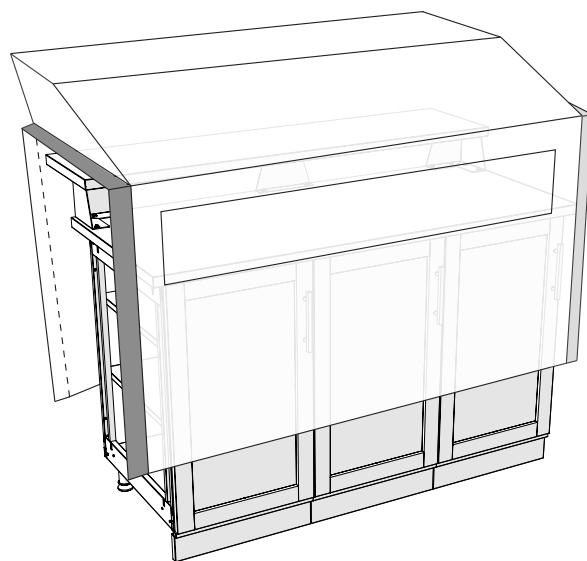
Du velcro est fourni aux deux extrémités pour joindre les autres embouts de l'ensemble.



Ensemble d'armoires de 54 po avec embout de comptoir de bar



Ensemble d'armoires de 72 po avec embout de comptoir de bar

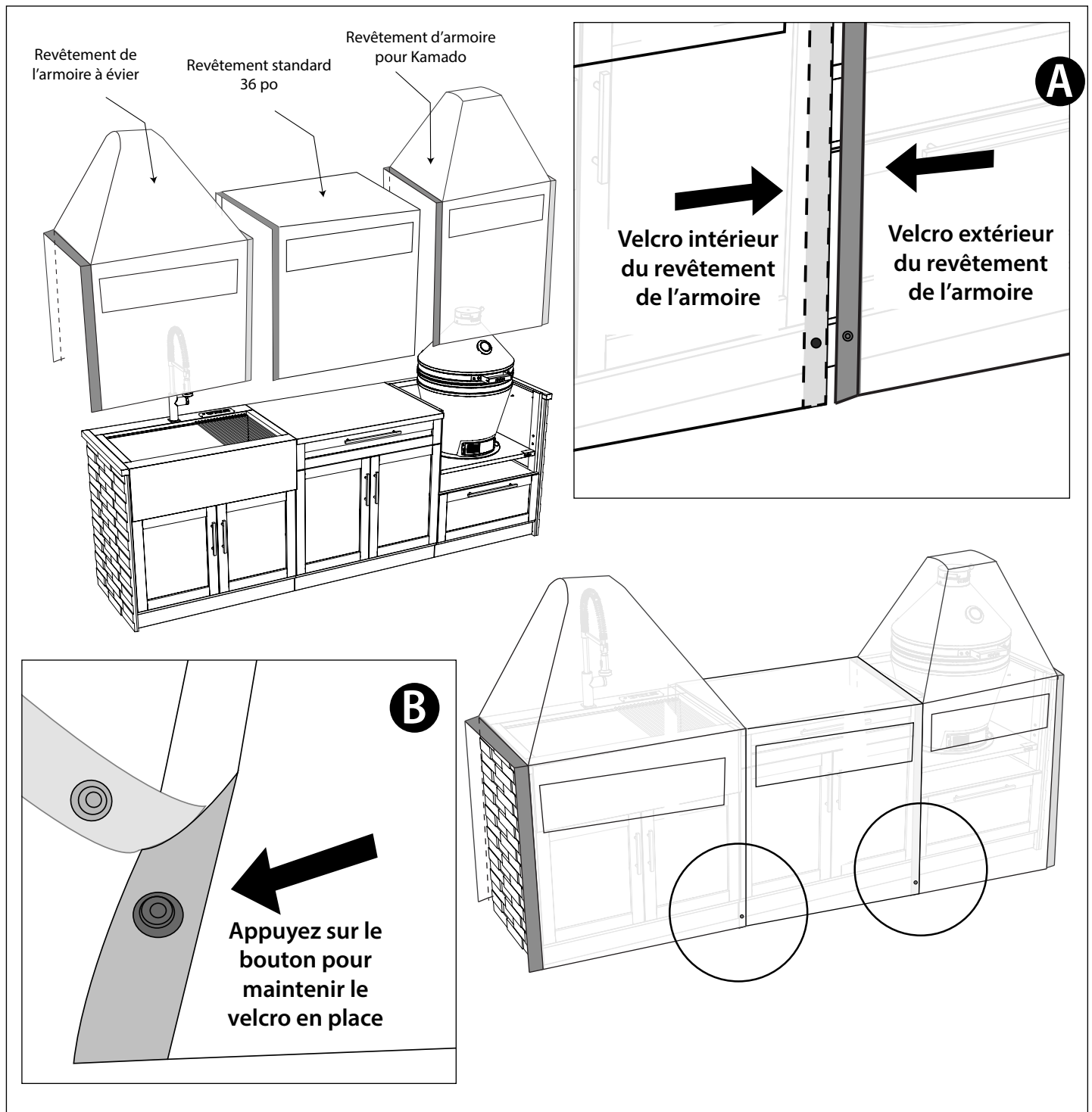


# Installation des embouts d'armoire sur les ensembles

**i REMARQUE :** Les étapes présentées ci-dessous sont un exemple d'assemblage des embouts pour l'ensemble d'armoires.

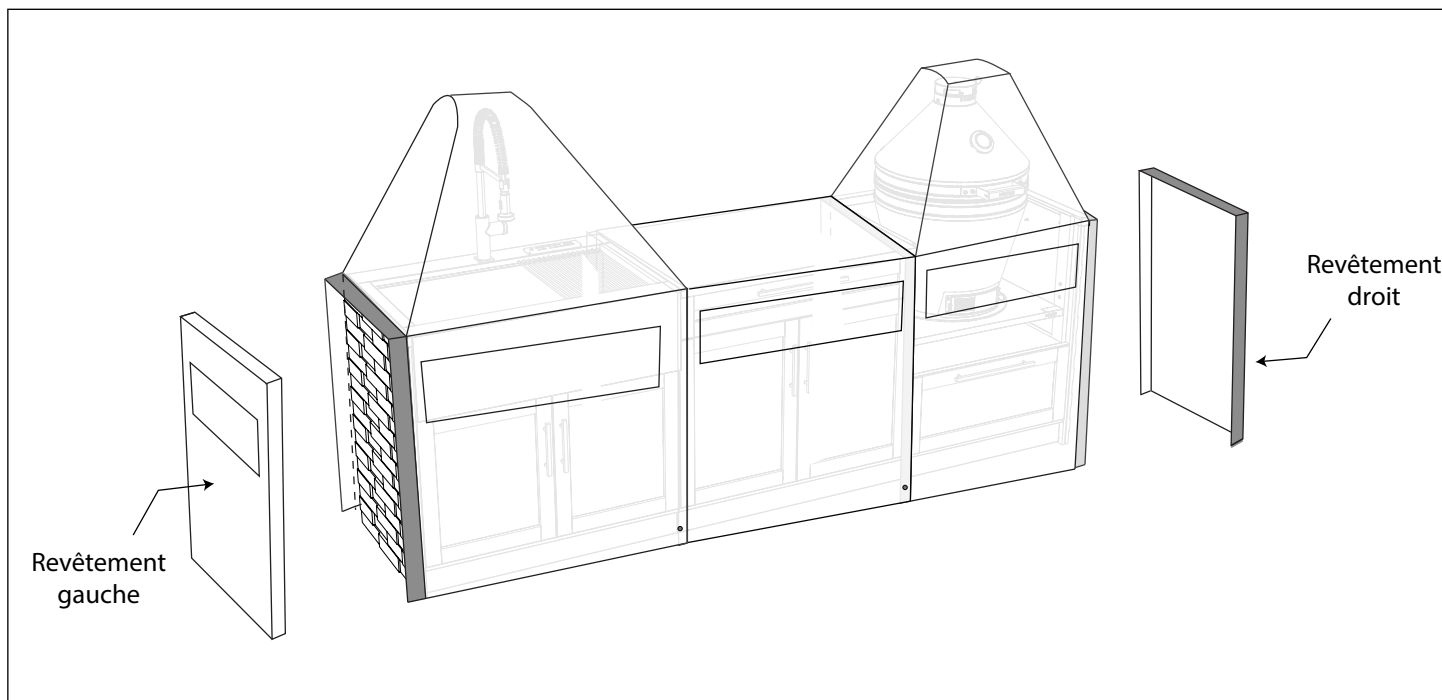
Placez les embouts correspondants sur le dessus des armoires individuelles et assurez-vous que les événements sont situés sur la face avant des armoires.

**1** Assemblez tous les embouts avec du velcro (A) et enclenchez les boutons (B) à toutes les extrémités de la bande velcro sur les embouts.

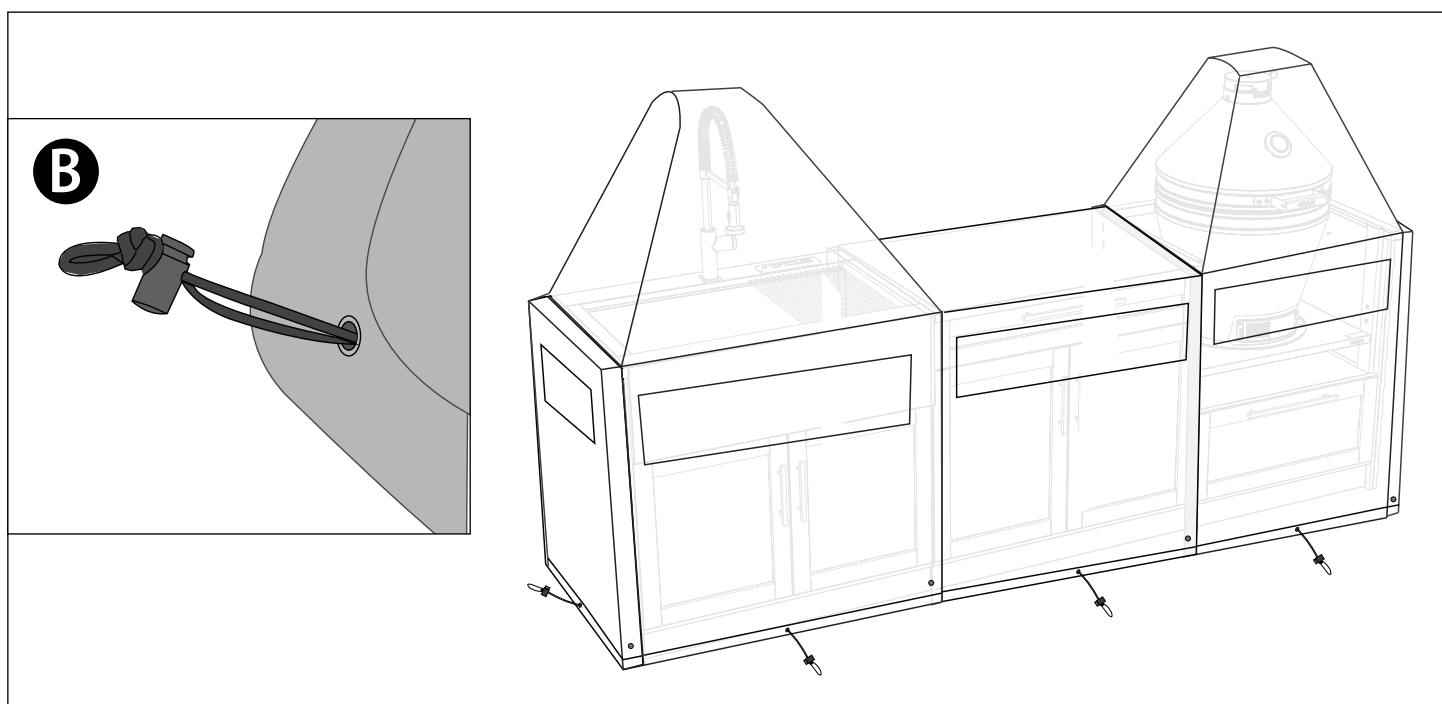


# Installation des embouts d'armoire sur les ensembles

- 3** Joignez les embouts universels gauche et droit pour compléter l'ensemble d'embouts.



- 3** Tirez ensuite les bandes élastiques (A) du centre de chaque armoire et des embouts d'extrémité latéraux pour fixer tous les embouts en place.





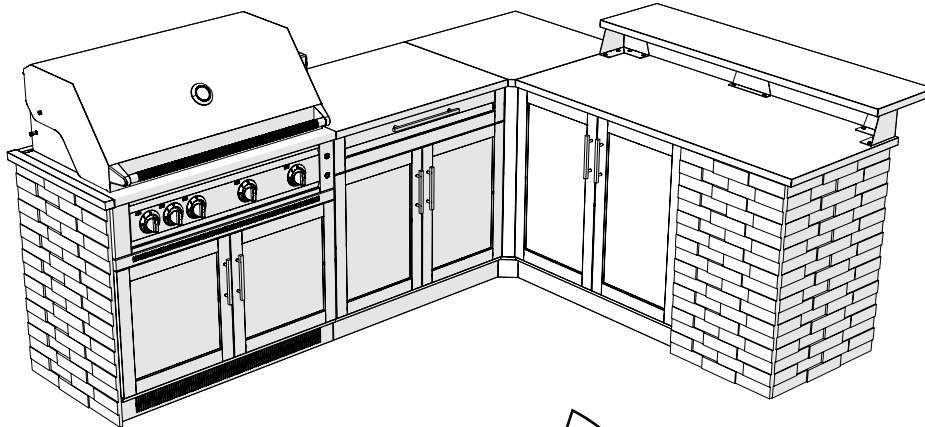
# Exemple d'embout d'un ensemble de grandes armoires



L'exemple d'un ensemble de grandes armoires montre l'utilisation de tous les embouts pour comprendre son application. Les embouts dépendent du type d'ensembles.



**REMARQUE :** Il est nécessaire d'acheter les embouts en fonction du type de configuration de l'ensemble.

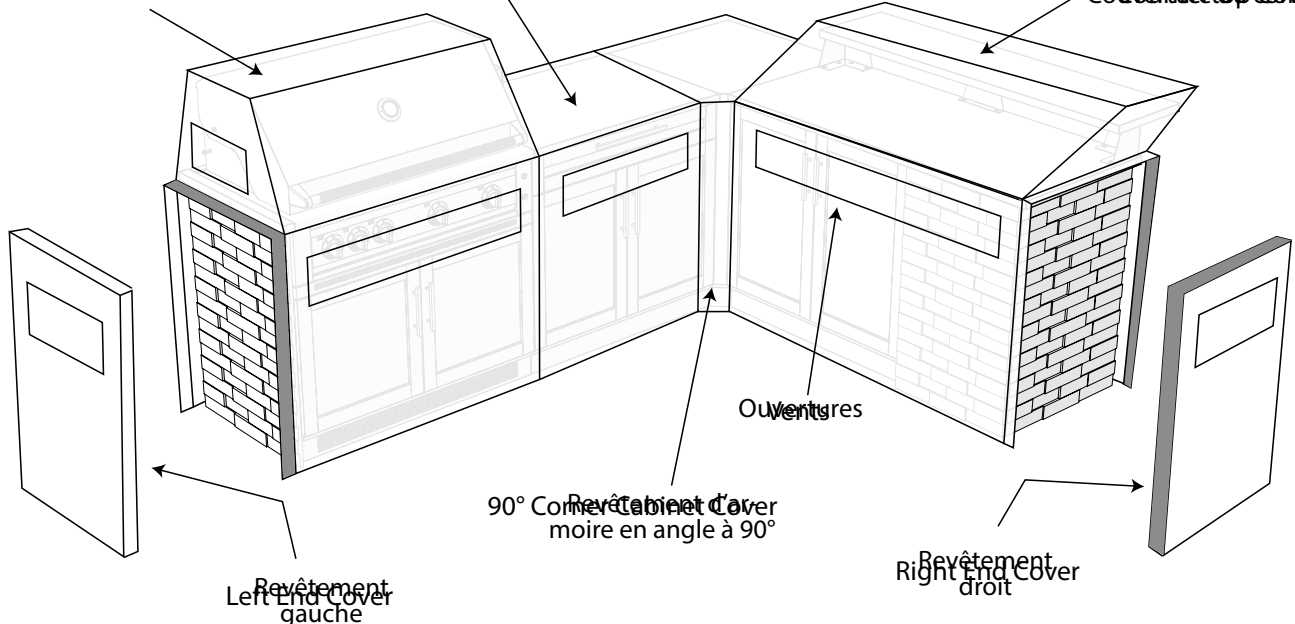


**REMARQUE :** Les événements prévus pour chaque embout doivent toujours se trouver sur la face avant des embouts principaux.

Couvercle du grill de  
40 po  
40in Grill Cover

Revêtement d'ar-  
36in Cabinet Cover

Ensemble d'armoires de  
54in Cabinet Set with bar  
Couvercle de comptoir



Revêtement  
gauche  
Left End Cover

90° Corner Cabinet Cover  
moire en angle à 90°

Revêtement  
droit  
Right End Cover

# **NETTOYAGE ET SOINS**

# Soins et entretien de vos armoires en acier inoxydable

---

## Effectuer un entretien régulier

1. Laver régulièrement avec de l'eau douce propre, un détergent doux et un chiffon en microfibre.
2. Après le lavage, rincez à l'eau claire et essuyez la surface avec votre chiffon en vous rappelant d'aller dans le sens du grain de l'acier inoxydable brossé.
3. En règle générale, vous devez laver votre acier inoxydable tous les trois mois. Zones côtières ou à côté d'une piscine de chlore plus fréquemment toutes les 2 semaines.
4. N'utilisez pas de nettoyeurs abrasifs ou de tampons à récurer de quelque type que ce soit, car ils causeraient une usure excessive et terniraient la finition.
5. Les finitions en acier inoxydable dans les environnements côtiers peuvent montrer des taches de thé si elles ne sont pas lavées régulièrement. Nous recommandons Hopes "Perfect Stainless" comme nettoyeur avec un chiffon en microfibre.
6. Pour une meilleure protection, utilisez une fine couche de protecteur sur la surface. Nous ne recommandons pas d'utiliser ce revêtement pour les zones de préparation des aliments.

## Liste des conditions courantes qui provoquent la corrosion ou la décoloration de l'acier inoxydable et doivent être évitées :

1. Nettoyeurs au chlorure – y compris l'eau de Javel et tout nettoyeur contenant du javellisant
2. Acide muriatique (acide chlorhydrique) – couramment utilisé pour nettoyer des carreaux/du béton après l'installation
3. Résidu de savon concentré – les additifs chimiques entraînent une altération de couleur et certains savons séchés ressemblent à de la rouille
4. Eau à forte teneur en fer – elle peut laisser des traces de rouille, surtout si elle dégoutte continuellement.
5. Contact avec des matières ferreuses – y compris la laine d'acier et les résidus/la poussière de fer produits par l'installation ou le nettoyage d'autres objets en acier.
6. Humidité emprisonnée entre la surface et tout objet – tapis de caoutchouc, boîtes métalliques ou cannettes de nettoyeurs. Laisser sécher complètement les armoires avant de poser un objet dessus.
7. Sels – contiennent du chlorure
8. Chaleur extrême produite par une flamme
9. Ne laissez aucune tache de jus d'agrumes ou de tomate sur les surfaces en acier inoxydable.
10. N'utilisez pas de nettoyeur abrasif, de tampon de laine d'acier ni de chiffon abrasif, car ils égratigneront la surface

## Faites briller l'acier inoxydable

Si l'acier inoxydable de vos armoires a l'air terne, il existe quelques moyens de lui redonner l'éclat qu'il avait à l'état neuf.

À l'aide d'une éponge mouillée à l'eau claire, frottez doucement dans le sens du grain. Si la tache ne s'enlève pas, il pourra être nécessaire d'employer un nettoyeur pour acier inoxydable. Appliquez le nettoyeur et frottez doucement. Après le nettoyage, il est important de rincer l'acier inoxydable à l'eau claire et de le polir avec un chiffon doux. Rappelez-vous de toujours frotter dans le sens du grain, JAMAIS dans le sens contraire, ce qui abîmerait la surface et ternirait le fini brillant de l'acier inoxydable. S'il faut absolument utiliser un tampon à récurer, choisissez un tampon en plastique Scotchbrite qui ne contient pas de métal.

# Soins et entretien de vos comptoirs en granite

---

## Comptoirs en granit

Le consommateur est responsable de l'utilisation et de l'entretien appropriés du comptoir de granit, veuillez consulter les points suivants qui doivent être suivis.

### L'Usage :

#### À faire :

- Utilisez des sous-verres pour les tasses, les verres et les bouteilles, en particulier l'alcool ou les boissons acides, car ils ont potentiel de tacher la pierre de granit.
- Utilisez une plaque chauffante pour les plats chauds, les boissons et les casseroles et poêles. Les casseroles et poêles chaudes peuvent tacher/brûler le granit.

#### Ne pas :

- N'utilisez pas directement le dessus en granit comme surface de coupe, utilisez une planche à découper pour hacher.
- Ne transformez pas votre plan de travail en table ou plan de travail, des objets lourds sont tombés dessus peut facilement fissurer ou endommager le granit, et les objets pointus peuvent rayer la surface.
- Ne laissez pas dehors sans couvercles si les comptoirs ne sont pas scellés.
- Ne laissez pas de désordre sur le comptoir car il peut laisser des empreintes ou des taches au fil du temps.

## Entretien :

#### À faire :

- Utilisez une solution douce d'eau tiède et de savon pour enlever la saleté et la crasse.
- Utilisez un chiffon doux pour nettoyer la surface.

#### Ne pas :

- N'utilisez pas de brosse ou de tampon à récurer ou tout autre instrument similaire avec des surfaces rugueuses.
- N'utilisez pas de vinaigre, d'eau de javel, d'ammoniac, d'autres nettoyeurs à usage général, de nettoyeurs pour salle de bain ou de baignoire et nettoyeurs de carreaux.
- N'utilisez pas de nettoyeurs abrasifs tels que des nettoyeurs à sec ou des nettoyeurs doux.
- N'utilisez pas de nettoyeurs alcalins non spécifiquement formulés pour la pierre.
- N'utilisez pas de jus de citron, d'huiles ou de substances acides pour nettoyer le granit.
- Ne renversez pas de substances acides comme la sauce tomate, le café ou le vin sur votre plan de travail. Nettoyer renverse immédiatement pour minimiser les dommages permanents au granit.

# Soins et entretien de vos panneaux en fibrociment

---

Le consommateur est responsable de la bonne utilisation et de l'entretien des panneaux de fibrociment, veuillez consulter les points suivants qui doivent être respectés.

## **L'Usage :**

### **À faire :**

- Portez le masque facial de classe industrielle lors de la coupe des panneaux de fibrociment pour vous protéger de la poussière
- Utiliser les produits de mortier ou adhésifs recommandés selon les réglementations régionales pour l'application des matériaux de finition sur les panneaux en fibrociment

### **Ne pas :**

- Trop serrer les vis pour connecter les panneaux en fibrociment aux cadres de l'armoire pour éviter de fissurer et d'endommager les panneaux.

## **Entretien :**

### **Ne pas :**

- Ne pas exposer le panneau en fibrociment à l'intérieur de l'armoire à l'eau ou à tout autre liquide

# Pièces de rechange

Pièces de rechange UGS#	Description de la pièce de rechange	Numéro de pièce d'ingénierie	Armoires utilisées pour SKU #
<b>65647</b>	(1X) Poignée SS (courte) (2X) Tête CSK Boulon M4 X 25mm	OKC1-19.003A-01	66100, 66101, 66102, 66104, 66105, 66106, 66107, 66109, 66110, 66112, 66117
<b>65646</b>	(1X) poignées en acier inoxydable (longues) (2X) Boulon à tête CSK M4X25mm	OKC1-25.003A-01	66103, 66107, 66108, 66110, 66111, 66112
<b>65840</b>	Plateaux de décoration pour meuble bar	H00242A-01	66112
<b>66470</b>	Meuble Bar - Casier à vin	OK2-13.009A-01	66112
<b>66471</b>	Meuble Bar - Bac à Glaçons	OK2-13.010A-01	66112
<b>66472</b>	(1x) Porte-couteau pour meuble d'évier	OKC1-08.005A-01	66104
	(1x) capuchon en acier inoxydable pour porte-couteau	OKC1-08.004A-01	
<b>66473</b>	(1X) coup-de-pied en acier inoxydable de 40 po avec plaque à DEL (4X) Vis à tête cylindrique M4X10mm	OK2-03.004.01.01A-01 H00204A-01	66102
<b>66474</b>	(1X) coup de pied en acier inoxydable 36po avec plaque LED (4X) vis à tête cylindrique M4X10mm	OK2-29.004.01.01A-01 H00204A-01	66117
<b>66475</b>	(1X) coup-de-pied en acier inoxydable 33 pouces avec plaque LED (4X) vis à tête cylindrique M4X10mm	OK2-02.004.01.01A-01 H00204A-01	66101
<b>66476</b>	(1X) coup-de-pied Kamado en acier inoxydable de 28 po avec plaque à DEL (4X) vis à tête cylindrique M4X10mm	OK2-04.004.01.01A-01 H00204A-01	66103
<b>66477</b>	(1X) coup-de-pied en acier inoxydable 18 pouces avec plaque LED (4X) vis à tête cylindrique M4X10mm	OK2-06.003.01.01A-01 H00204A-01	66105, 66106, 66107, 66108
<b>66478</b>	(1X) coup-de-pied en acier inoxydable 16 pouces DSB avec plaque LED 4X) Vis à tête cylindrique M4X10mm	OK2-01.003.01.01A-01 H00204A-01	66100
<b>66479</b>	Porte d'armoire en acier inoxydable 16po DSB (Avec joint magnétique sans charnières)	OK2-01.002A-01	66100
<b>66480</b>	Armoire de gril en acier inoxydable de 33 po, porte gauche et droite (Avec joint magnétique sans charnières)	OK2-02.002A-01 OK2-02.003A-01	66101

# Pièces de rechange

Pièces de rechange UGS#	Description de la pièce de rechange	Numéro de pièce d'ingénierie	Armoires utilisées pour SKU #
<b>66481</b>	Armoire de bar en acier inoxydable 36 po, porte gauche et droite (Avec joint magnétique sans charnières)	OK2-11.003A-01 OK2-13.003A-01	66117
<b>66482</b>	Armoire de gril en acier inoxydable de 40 po, porte gauche et droite (Avec joint magnétique sans charnières)	OK2-03.002A-01 OK2-03.003A-01	66102
<b>66483</b>	Meuble pour évier de ferme en acier inoxydable 36 po, porte LH et RH (Avec joint magnétique sans charnières)	OK2-05.002A-01 OK2-05.003A-01	66104
<b>66484</b>	Porte d'armoire 1 porte 18 po en acier inoxydable (avec joint magnétique sans charnières)	OK2-07.002A-01	66106
<b>66485</b>	Armoire en acier inoxydable 18 en 1 porte avec tiroir (avec joint magnétique sans charnières)	OK2-08.003A-01	65035
<b>66486</b>	Armoire à 2 portes de 36 po en acier inoxydable Porte gauche et droite (Avec joint magnétique sans charnières)	OK2-10.002.01A-01 OK2-10.003.01A-01	66109
<b>66487</b>	Armoire à 2 portes en acier inoxydable de 36 po avec tiroirs Porte gauche et droite (avec joint magnétique sans charnières)	OK2-11.003.01A-01 OK2-11.004A-01	66110
<b>66488</b>	(1X) Panneau avant du tiroir supérieur de 18 po en acier inoxydable (avec joint en caoutchouc) (4X) vis à tête cylindrique M4X10mm	OK2-08.002.01A-01 H00204A-01	66107, 66108
<b>66489</b>	(1X) panneau avant du tiroir central en acier inoxydable de 18 pouces (4X) Vis à tête cylindrique M4X10mm	OK2-09.002.01A-01 H00204A-01	66108
<b>66490</b>	(1X) Panneau avant du tiroir supérieur en acier inoxydable de 36 po (4X) Vis à tête cylindrique M4X10mm	OK2-11.002.01A-01 H00204A-01	66110, 66111
<b>66491</b>	(1X) panneau avant du tiroir central en acier inoxydable de 36 pouces (4X) vis à tête cylindrique M4X10mm	OK2-12.002.01A-01 H00204A-01	66111
<b>65860</b>	Poubelle grise	H00241A-01	66112
<b>65845</b>	Pied de nivellement	H00196A-01	All SKU's
<b>66492</b>	Patte d'armoire Signature	OK2-01.004A-01	

# Pièces de rechange

Pièces de rechange UGS#	Description de la pièce de rechange	Numéro de pièce d'ingénierie	Armoires utilisées pour SKU #
<b>66493</b>	Armoire Signature 36 po Étagères	OK2-10.004A-01	66104, 66109, 66110, 66112, 66114, 66117
<b>66494</b>	Armoire Signature 18 po Étagères	OK2-07.003A-01	66105, 66106, 66107, 66113
<b>65844</b>	Clips d'étagère	OKC1-07.007A-01	
<b>66495</b>	(1X) Ouvre-bouteille (2X) Boulon à tête CSK M4X10mm	H00243A-01 H00207A-01	66112
<b>66496</b>	Signature Outdoor Kitchen Sink Cabinet - Dry Rack	OK2-05.005A-01	66104
<b>66497</b>	Armoire d'évier de cuisine d'extérieur Signature - Dry Rack	H00244A-01	66103
<b>66498</b>	(1X) charnières de porte (6X) Boulon à tête CSK M4X10mm	H00206A-01 H00207A-01	All SKU's
<b>66499</b>	(1X) Aimant de porte avec plaque de verrouillage (2X) vis à tête cylindrique M4X10mm (2X) Boulon à tête CSK M4X10mm	H00209A-01,H00205A-01, H00207A-01,H00204A-01	All SKU's
<b>66500</b>	(1X) 22in Length Slide pair LH & RH for Garbage Bin (12X) Slide Screw	H00240A-01 H00213A-01	66112
<b>66501</b>	(1X) Paire de glissières de 22 po de longueur LH et RH pour poubelle (12X) Vis coulissante	H00295A-01 H00213A-01	66103, 66107, 66108, 66110, 66111
<b>66502</b>	(1X) paire de glissières de 16 pouces de longueur gauche et droite pour ensemble de plateau de réservoir de propane (12X) Vis coulissante	H00217A-01 H00213A-01	66100, 66101, 66102, 66117
<b>66503</b>	(2X) pince coup de pied (4X) Vis à tête cylindrique M4X10mm	OK2-01.003.02A-01 H00204A-01	All SKU's
<b>66504</b>	Œillet en caoutchouc fermé	H00469A-01	All SKU's
<b>66505</b>	Œillet en caoutchouc ouvert	H00220A-01	All SKU's
<b>66506</b>	Œillet extensible	H00531A-01	All SKU's
<b>66507</b>	Vidange d'évier	H00164A-01	66104, 66105
<b>66508</b>	Assemblage soudé des pattes arrière (gauche et droite)	OK2-17.004A-01 OK2-17.005A-01	66116



# Pièces de rechange

Pièces de rechange UGS#	Description de la pièce de rechange	Numéro de pièce d'ingénierie	Armoires utilisées pour SKU #
<b>66509</b>	Assemblage soudé jambe avant	OK2-17.006A-01	66116
<b>66510</b>	(1X) Assemblage de poteau avant (4X) Vis à tête cylindrique M4X10mm	OK2-17.002A-01 H00204A-01	66116
<b>66511</b>	(1X) coup de pied (4X) Vis à tête cylindrique M4X10mm	OK2-17.007A-01 H00204A-01	66116
<b>66512</b>	(1X) Plaque de protection (1X) Plaque LED (2X) Vis à tête cylindrique M4X10mm	OK2-16.002.05A-01 OK2-16.002.06A-01 H00204A-01	66115
<b>66513</b>	Vis n° 10 pour panneaux de fibrociment (paquet de 200)	H00721A-01	All SKU's
<b>66514</b>	M6X12 pour jambe (Lot de 200)	H00201A-01	All SKU's
<b>66515</b>	Vis à tête cylindrique M4X10 (Lot de 200)	H00204A-01	All SKU's
<b>66516</b>	Vis Allen à tête inférieure M6x10 (lot de 200)	H00446A-01	66090, 66070, 66071, 66072, 66073, 66074, 66075, 66076, 66077, 66078, 66080, 66081, 66082, 66083, 66084, 66085, 66087, 66088, 66089
<b>66517</b>	M6X50 (paquet de 200)	H00198A-01	All SKU's
<b>66518</b>	Écrou M6 (paquet de 200)	H00200A-01	All SKU's
<b>66519</b>	Rondelle surdimensionnée M6 (paquet de 200)	H00199A-01	All SKU's
<b>66520</b>	Joint en caoutchouc pour tiroir 36po	OK2-08.002.03A-01	66110, 66111, 66112
<b>66523</b>	Joint en caoutchouc pour tiroir 28po	OK2-08.002.03A-01	66103
<b>66521</b>	Joint magnétique pour porte 40po	OK2-05.002.02A-01	66102
<b>66524</b>	Joint magnétique pour porte 33po	OK2-05.002.02A-01	66101
<b>66525</b>	Joint magnétique pour porte 36po/18po	OK2-05.002.02A-01	66104, 66109, 66110, 66112, 66117, 66105, 66106, 66107
<b>66526</b>	Joint magnétique pour porte 16po	OK2-05.002.02A-01	66100
<b>66522</b>	Joint pour comptoir 18po	H00192A-01	66073, 66074, 66075
<b>66527</b>	Joint pour comptoir 36po		

# Pièces de rechange

Pièces de rechange UGS#	Description de la pièce de rechange	Numéro de pièce d'ingénierie	Armoires utilisées pour SKU #
<b>66528</b>	(1X) Signature OKC Ensemble de réfrigérateur 24 po - Support de plan de travail (4x) M4x10mm Vis de montage	OKC2-76.003A-01	66118
<b>66529</b>	Bouchon en acier inoxydable de 28 po	OK2-04.007A-01	66103
<b>66530</b>	Bouchon en acier inoxydable de 16 po	OK2-01.007A-01	66100
<b>66531</b>	Bouchon en acier inoxydable de 33 po	OK2-02.011A-01	66101
<b>66532</b>	Bouchon en acier inoxydable de 36 po	OK2-129.009A-01	66117
<b>66533</b>	Bouchon en acier inoxydable de 40 po	OK2-03.008A-01	66102

# **RENSEIGNEMENTS SUR LA GARANTIE**

# ARMOIRES DE CUISINE EXTÉRIEURE SIGNATURE

## GARANTIE DU FABRICANT

**UNE PREUVE D'ACHAT EST REQUISE POUR OBTENIR UN SERVICE SOUS GARANTIE.**  
Veuillez avoir les renseignements suivants lorsque vous appelez notre équipe du service à la clientèle :

- Le nom, l'adresse et le numéro de téléphone
- Le nom du produit / numéro d'UGS
- Une description claire et détaillée du problème
- Une preuve d'achat, y compris un numéro de commande

**Enregistrez votre achat de produits NewAge en ligne pour obtenir une assistance à la clientèle plus rapide et un accès à des avantages exclusifs**

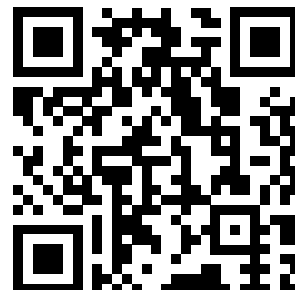
Visitez [www.newageproducts.com/register/](http://www.newageproducts.com/register/)

### Réclamation sous garantie

Pour un service sous garantie, veuillez contacter NewAge Products au **1 877-306-8930**; ou [support@newageproducts.com](mailto:support@newageproducts.com)

Veuillez examiner tous les détails de la garantie ci-dessous avant de contacter NewAge Products pour une réclamation.

Balayez le code à barres 2D à droite pour accéder à la page d'assistance ou visitez le [www.newageproducts.com/contact-us/](http://www.newageproducts.com/contact-us/)



Balayez ce code à barres 2D avec la caméra de votre téléphone mobile pour visiter le centre d'assistance de NewAge Products  
[www.newageproducts.com/support-hub/](http://www.newageproducts.com/support-hub/)

## GARANTIE LIMITÉE 10 AN

NewAge est fière d'offrir une garantie complète du produit pour une période de 10 ans. Sous réserve des limitations et des exclusions de responsabilité énoncées ci-dessous ou dans toute autre documentation relative au produit, NewAge fournit les garanties supplémentaires suivantes au client initial :

Durée de la garantie	Articles couverts par la garantie	Coût pour NewAge	Coût pour le client
10 ans	Intégrité structurelle globale de l'armoire en acier inoxydable	Matériaux	Expédition
2 ans	Glissières de tiroir, charnières de porte, poignées de tiroir et de porte	Matériaux	Expédition
3 ans	Finitions du produit exemptes de défauts pour le client initial	Matériaux	Expédition

## CE QUI EST COUVERT

Pendant la durée de la garantie à compter de la date d'achat, lorsque ce produit est installé, utilisé et entretenu conformément aux instructions fournies, NewAge Products Inc. remplacera les pièces ou le produit défectueux, si le bris provient d'un défaut de matériau ou de fabrication.

## CE QUI N'EST PAS COUVERT

1. Les appels de service pour corriger l'installation de tout produit NewAge ou pour vous montrer comment l'utiliser ou l'installer
2. Les dommages résultant des produits causés par un accident, une mauvaise utilisation, un abus, un incendie, une inondation, une installation inadéquate, un cas fortuit, une négligence, une modification ou une mauvaise manipulation.
3. Les produits endommagés en raison d'une charge supérieure au poids maximum précisé dans les instructions fournies avec le produit.
4. Les réparations ou le remplacement lorsque votre produit est utilisé pour un usage autre que résidentiel normal, comme dans un milieu commercial, ou manipulé d'une manière incohérente avec les instructions d'installation comprises avec le produit.
5. Des dommages cosmétiques qui se produisent après l'achat du produit par le client, y compris les éraflures, les entailles, la corrosion ou les taches sur le matériau qui n'affecte pas la capacité fonctionnelle ou structurelle du produit.
6. Les surfaces endommagées en raison d'un usage inadéquat de produits chimiques et de détergents.
7. La décoloration due à la chaleur, par exemple à côté d'un gril, est une caractéristique de l'acier inoxydable.
8. La rouille de surface résultant des pluies acides ou de produits chimiques dans l'environnement
9. Une perte en raison d'un vol.
10. Des dommages résultant d'une utilisation contraindiquée du produit et non conforme au manuel d'instructions.
11. Tout coût de main-d'oeuvre pendant la période de garantie.

L'acier inoxydable 304 utilisé dans la construction des Armoires de cuisine extérieures NewAge est très résistant à la rouille. Cependant, le chlore présent dans l'air émanant des piscines ou le sel de l'air marin peuvent provoquer l'apparition de rouille en surface et même créer une certaine corrosion par piqûres s'ils restent sur le produit. Nous vous suggérons de nettoyer toutes les surfaces en acier inoxydable au moins toutes les deux semaines afin de maintenir vos meubles en bon état. La réaction chimique du sel est facile à empêcher, mais elle est plus difficile lorsqu'il reste à la surface.

## EXCLUSION DE GARANTIES IMPLICITES

DANS LA MESURE PERMISE, LES GARANTIES IMPLICITES, Y COMPRIS LES GARANTIES APPLICABLES DE QUALITÉ MARCHANDE OU DE CONFORMITÉ À UN USAGE PARTICULIER, SONT EXCLUES DANS LA LIMITE OÙ LA LOI LE PERMET. TOUTE GARANTIE IMPLICITE QUI POURRAIT ÊTRE IMPOSÉE PAR LA LOI DOIT SE LIMITER À UN AN, OU À LA PÉRIODE LA PLUS COURTE PERMISE PAR LA LOI. CETTE GARANTIE SE LIMITE À L'ACHETEUR D'ORIGINE. Certains États ainsi que certaines provinces ne permettent pas les limitations sur la durée d'une garantie implicite de qualité marchande ou de conformité, il est donc possible que les limitations ci-dessus ne s'appliquent pas à vous. Cette garantie vous donne des droits légaux particuliers et vous pourriez également disposer d'autres droits variant selon l'État ou la province.

## LIMITATION DES RECOURS; EXCLUSION DES DOMMAGES ACCESSOIRES ET INDIRECTS

EN VERTU DE CETTE GARANTIE LIMITÉE, VOTRE SEUL ET UNIQUE RECOURS DOIT ÊTRE LA RÉPARATION OU LE REMPLACEMENT DU PRODUIT, À NOTRE DISCRÉTION, COMME INDIQUÉ AUX PRÉSENTES. NEWAGE NE DOIT PAS ÊTRE TENU RESPONSABLE DES DOMMAGES ACCESSOIRES ET INDIRECTS. Certains États ainsi que certaines provinces ne permettent pas l'exclusion ou la limitation des dommages accessoires ou indirects, il est par conséquent possible que ces limitations et exclusions ne s'appliquent pas à vous. Cette garantie vous donne des droits légaux particuliers et vous pourriez également disposer d'autres droits variant selon l'État ou la province.

# GARANTIE DU FABRICANT COMPTOIR EN GRANITE

## GARANTIE DU FABRICANT

### UNE PREUVE D'ACHAT EST REQUISE POUR OBTENIR UN SERVICE SOUS GARANTIE.

Veillez avoir les renseignements suivants lorsque vous appelez notre équipe du service à la clientèle :

- Le nom, l'adresse et le numéro de téléphone
- Le nom du produit / numéro d'UGS
- Une description claire et détaillée du problème
- Une preuve d'achat, y compris un numéro de commande

**Enregistrez votre achat de produits NewAge en ligne pour obtenir une assistance à la clientèle plus rapide et un accès à des avantages exclusifs**

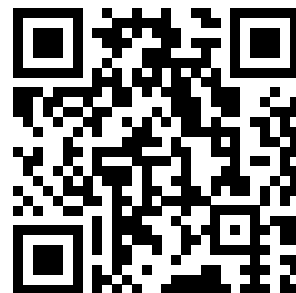
Visitez [www.newageproducts.com/register/](http://www.newageproducts.com/register/)

#### Réclamation sous garantie

Pour un service sous garantie, veuillez contacter NewAge Products au **1 877-306-8930**; ou [support@newageproducts.com](mailto:support@newageproducts.com)

Veillez examiner tous les détails de la garantie ci-dessous avant de contacter NewAge Products pour une réclamation.

Balayez le code à barres 2D à droite pour accéder à la page d'assistance ou visitez le [www.newageproducts.com/contact-us/](http://www.newageproducts.com/contact-us/)



Balayez ce code à barres 2D avec la caméra de votre téléphone mobile pour visiter le centre d'assistance de NewAge Products [www.newageproducts.com/support-hub/](http://www.newageproducts.com/support-hub/)

## GARANTIE RÉSIDENIELLE LIMITÉE DE 15 ANS

### CE QUI EST COUVERT

Lorsque le comptoir en granite est installé, utilisé et entretenu conformément à la section Utilisation, soins et entretien du comptoir en granite des instructions jointes ou fournies avec le comptoir, NewAge Products Inc. remplacera le granit défectueux advenant un vice de matériaux ou de fabrication pendant la durée de la garantie à compter de la date d'achat d'origine du produit.

### CE QUI N'EST PAS COUVERT

1. Les appels de service pour corriger l'installation de tout produit NewAge ou pour vous montrer comment l'utiliser ou l'installer.
  2. Les dommages résultant des produits causés par un accident, une mauvaise utilisation, un abus, un incendie, une inondation, une installation inadéquate, un nettoyage et un entretien inappropriés, un cas fortuit, une négligence, une chaleur extrême, l'usure normale, une modification ou une mauvaise manipulation.
  3. Les réparations ou le remplacement lorsque votre produit est utilisé pour un usage autre que résidentiel normal, comme dans un milieu commercial, ou manipulé d'une manière incohérente avec les instructions d'installation comprises avec le produit.
  4. L'écaillage de la surface ou des fissures causées par un accident, une installation ou une manipulation incorrecte.
  5. Les surfaces endommagées en raison d'un usage inadéquat de produits chimiques et de détergents.
  6. Des taches et marques d'eau causées par un entretien, des soins et un nettoyage inappropriés.
  7. Les pièces de rechange pour des produits NewAge à l'extérieur du Canada et des États-Unis.
  8. Une perte en raison d'un vol.
  9. Tout coût de main-d'œuvre pendant la période de garantie.
  10. Des dommages résultant d'une utilisation contraindiquée du produit et non conforme au manuel d'instructions.
- La présente garantie ne couvre pas les caractéristiques naturelles de la pierre qui comprennent, sans s'y limiter, les variations naturelles de couleur, les lignes d'eau ou les propriétés physiques (fissures, piqûres de surface, imperfections) qui sont normales et naturelles pour certaines pierres. Si, après ou pendant l'installation, vous décidez que vous n'aimez pas les couleurs que vous avez choisies ou les variations et veines de la pierre naturelle de votre installation, le remplacement n'est pas couvert par cette garantie.

### EXCLUSION DE GARANTIES IMPLICITES

DANS LA MESURE PERMISE, LES GARANTIES IMPLICITES, Y COMPRIS LES GARANTIES APPLICABLES DE QUALITÉ MARCHANDE OU DE CONFORMITÉ À UN USAGE PARTICULIER, SONT EXCLUES DANS LA LIMITE OÙ LA LOI LE PERMET. TOUTE GARANTIE IMPLICITE QUI POURRAIT ÊTRE IMPOSÉE PAR LA LOI DOIT SE LIMITER À UN AN, OU À LA PÉRIODE LA PLUS COURTE PERMISE PAR LA LOI. CETTE GARANTIE SE LIMITE À L'ACHETEUR D'ORIGINE. Certains États ainsi que certaines provinces ne permettent pas les limitations sur la durée d'une garantie implicite de qualité marchande ou de conformité, il est donc possible que les limitations ci-dessus ne s'appliquent pas à vous. Cette garantie vous donne des droits légaux particuliers et vous pourriez également disposer d'autres droits variant selon l'État ou la province.

### LIMITATION DES RECOURS; EXCLUSION DES DOMMAGES ACCESSOIRES ET INDIRECTS

EN VERTU DE CETTE GARANTIE LIMITÉE, VOTRE SEUL ET UNIQUE RECOURS DOIT ÊTRE LA RÉPARATION OU LE REMPLACEMENT DU PRODUIT, À NOTRE DISCRÉTION, COMME INDIQUÉ AUX PRÉSENTES. NEWAGE NE DOIT PAS ÊTRE TENU RESPONSABLE DES DOMMAGES ACCESSOIRES ET INDIRECTS. Certains États ainsi que certaines provinces ne permettent pas l'exclusion ou la limitation des dommages accessoires ou indirects, il est par conséquent possible que ces limitations et exclusions ne s'appliquent pas à vous. Cette garantie vous donne des droits légaux particuliers et vous pourriez également disposer d'autres droits variant selon l'État ou la province.

# PANNEAUX EN FIBROCIMENT

## GARANTIE DU FABRICANT

**UNE PREUVE D'ACHAT EST REQUISE POUR OBTENIR UN SERVICE SOUS GARANTIE.**  
Veuillez avoir les renseignements suivants lorsque vous appelez notre équipe du service à la clientèle :

- Le nom, l'adresse et le numéro de téléphone
- Le nom du produit / numéro d'UGS
- Une description claire et détaillée du problème
- Une preuve d'achat, y compris un numéro de commande

**Enregistrez votre achat de produits NewAge en ligne pour obtenir une assistance à la clientèle plus rapide et un accès à des avantages exclusifs**

Visitez [www.newageproducts.com/register/](http://www.newageproducts.com/register/)

### Réclamation sous garantie

Pour un service sous garantie, veuillez contacter NewAge Products au **1 877-306-8930**; ou [support@newageproducts.com](mailto:support@newageproducts.com)

Veuillez examiner tous les détails de la garantie ci-dessous avant de contacter NewAge Products pour une réclamation.

Balayez le code à barres 2D à droite pour accéder à la page d'assistance ou visitez le [www.newageproducts.com/contact-us/](http://www.newageproducts.com/contact-us/)



Balayez ce code à barres 2D avec la caméra de votre téléphone mobile pour visiter le centre d'assistance de NewAge Products  
[www.newageproducts.com/support-hub/](http://www.newageproducts.com/support-hub/)

## GARANTIE LIMITÉE D'UN AN

### CE QUI EST COUVERT

Pendant la durée de la garantie, à compter de la date d'achat du produit, Products Inc. remplacera le produit ou les pièces défectueuses si la défaillance résulte d'un défaut de matériaux ou de fabrication. La garantie n'est applicable qu'un an après l'achat, avant l'installation. Les réclamations après l'installation ne seront pas acceptées.

### CE QUI N'EST PAS COUVERT

1. Les appels de service pour corriger l'installation de tout produit NewAge ou pour vous montrer comment l'utiliser ou l'installer.
2. Les dommages aux produits causés par un accident, une mauvaise utilisation, un abus, un incendie, une inondation, la corrosion, une installation inadéquate, un cas de force majeure, une négligence, une modification, un entretien inadéquat et l'usure normale ou une mauvaise manipulation.
3. Les produits endommagés par une charge externe.
4. Des dommages cosmétiques qui se produisent après l'achat du produit par le client, y compris les éraflures, les entailles, la corrosion ou les taches sur le matériau qui n'affecte pas la capacité fonctionnelle ou structurelle du produit.
5. Les surfaces endommagées en raison d'un usage inadéquat de produits chimiques, d'aliments, de boissons et de détergents.
6. Les pièces de rechange pour des produits NewAge à l'extérieur du Canada et des États-Unis.
7. Une perte en raison d'un vol.
8. Les dommages résultant d'une utilisation contraindiquée du produit et non conforme au manuel d'instructions.
9. Tout coût de main-d'œuvre pendant la période de garantie.

### EXCLUSION DE GARANTIES IMPLICITES

DANS LA MESURE PERMISE, LES GARANTIES IMPLICITES, Y COMPRIS LES GARANTIES APPLICABLES DE QUALITÉ MARCHANDE OU DE CONFORMITÉ À UN USAGE PARTICULIER, SONT EXCLUES DANS LA LIMITE OÙ LA LOI LE PERMET. TOUTE GARANTIE IMPLICITE QUI POURRAIT ÊTRE IMPOSÉE PAR LA LOI DOIT SE LIMITER À UN AN, OU À LA PÉRIODE LA PLUS COURTE PERMISE PAR LA LOI. CETTE GARANTIE SE LIMITE À L'ACHETEUR D'ORIGINE. Certains États ainsi que certaines provinces ne permettent pas les limitations sur la durée d'une garantie implicite de qualité marchande ou de conformité, il est donc possible que les limitations ci-dessus ne s'appliquent pas à vous. Cette garantie vous donne des droits légaux particuliers et vous pourriez également disposer d'autres droits variant selon l'État ou la province.

### LIMITATION DES RECOURS; EXCLUSION DES DOMMAGES ACCESSOIRES ET INDIRECTS

EN VERTU DE CETTE GARANTIE LIMITÉE, VOTRE SEUL ET UNIQUE RECOURS DOIT ÊTRE LA RÉPARATION OU LE REMPLACEMENT DU PRODUIT, À NOTRE DISCRÉTION, COMME INDIQUÉ AUX PRÉSENTES. NEWAGE NE DOIT PAS ÊTRE TENU RESPONSABLE DES DOMMAGES ACCESSOIRES ET INDIRECTS. Certains États ainsi que certaines provinces ne permettent pas l'exclusion ou la limitation des dommages accessoires ou indirects, il est par conséquent possible que ces limitations et exclusions ne s'appliquent pas à vous. Cette garantie vous donne des droits légaux particuliers et vous pourriez également disposer d'autres droits variant selon l'État ou la province.

# COUVERTURES GARANTIE DU FABRICANT

**UNE PREUVE D'ACHAT EST REQUISE POUR OBTENIR UN SERVICE SOUS GARANTIE.**  
Veuillez avoir les renseignements suivants lorsque vous appelez notre équipe du service à la clientèle :

- Le nom, l'adresse et le numéro de téléphone
- Le nom du produit / numéro d'UGS
- Une description claire et détaillée du problème
- Une preuve d'achat, y compris un numéro de commande

**Enregistrez votre achat de produits NewAge en ligne pour obtenir une assistance à la clientèle plus rapide et un accès à des avantages exclusifs**

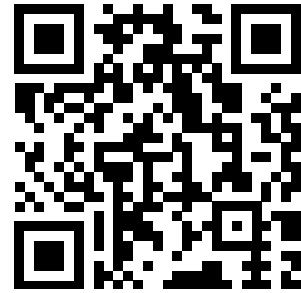
Visitez [www.newageproducts.com/register/](http://www.newageproducts.com/register/)

#### Réclamation sous garantie

Pour un service sous garantie, veuillez contacter NewAge Products au **1 877-306-8930**; ou [support@newageproducts.com](mailto:support@newageproducts.com)

Veuillez examiner tous les détails de la garantie ci-dessous avant de contacter NewAge Products pour une réclamation.

Balayez le code à barres 2D à droite pour accéder à la page d'assistance ou visitez le [www.newageproducts.com/contact-us/](http://www.newageproducts.com/contact-us/)



Balayez ce code à barres 2D avec la caméra de votre téléphone mobile pour visiter le centre d'assistance de NewAge Products  
[www.newageproducts.com/support-hub/](http://www.newageproducts.com/support-hub/)

## GARANTIE LIMITÉE D'UN AN

### CE QUI EST COUVERT

Pendant la durée de la garantie à compter de la date d'achat, lorsque ce produit est installé, utilisé et entretenu conformément aux instructions fournies, NewAge Products Inc. remplacera les pièces ou le produit défectueux, si le bris provient d'un défaut de matériau ou de fabrication.

### CE QUI N'EST PAS COUVERT

1. Les appels de service pour corriger l'installation de tout produit NewAge ou pour vous montrer comment l'utiliser ou l'installer.
2. Les dommages aux produits causés par un accident, une mauvaise utilisation, un abus, un incendie, une inondation, une installation inadéquate, un cas fortuit, une négligence, une modification ou une mauvaise manipulation.
3. Les produits endommagés en raison d'une charge supérieure au poids maximum précisé dans les instructions fournies avec le produit.
4. Les réparations ou le remplacement lorsque votre produit est utilisé pour un usage autre que résidentiel normal, comme dans un milieu commercial, ou manipulé d'une manière incohérente avec les instructions d'installation comprises avec le produit.
5. Les dommages cosmétiques, y compris les éraflures, les marques, les entailles ou les fissures qui n'affectent pas la capacité fonctionnelle du produit.
6. Produit endommagé en raison des conditions météorologiques.
7. Décoloration des couleurs due aux UV ou à la lumière du soleil. Le produit peut changer de couleur au fil du temps sous l'effet de la lumière du soleil.
8. Les pièces de rechange pour des produits NewAge à l'extérieur du Canada et des États-Unis.
9. Une perte en raison d'un vol.
10. Les dommages résultant d'une utilisation contraindiquée du produit et non conforme au manuel d'instructions.
11. Tout coût de main-d'œuvre pendant la période de garantie.

### EXCLUSION DE GARANTIES IMPLICITES

DANS LA MESURE PERMISE, LES GARANTIES IMPLICITES, Y COMPRIS LES GARANTIES APPLICABLES DE QUALITÉ MARCHANDE OU DE CONFORMITÉ À UN USAGE PARTICULIER, SONT EXCLUES DANS LA LIMITE OÙ LA LOI LE PERMET. TOUTE GARANTIE IMPLICITE QUI POURRAIT ÊTRE IMPOSÉE PAR LA LOI DOIT SE LIMITER À UN AN, OU À LA PÉRIODE LA PLUS COURTE PERMISE PAR LA LOI. CETTE GARANTIE SE LIMITE À L'ACHETEUR D'ORIGINE. Certains États ainsi que certaines provinces ne permettent pas les limitations sur la durée d'une garantie implicite de qualité marchande ou de conformité, il est donc possible que les limitations ci-dessus ne s'appliquent pas à vous. Cette garantie vous donne des droits légaux particuliers et vous pourriez également disposer d'autres droits variant selon l'État ou la province.

### LIMITATION DES RECOURS; EXCLUSION DES DOMMAGES ACCESSOIRES ET INDIRECTS

EN VERTU DE CETTE GARANTIE LIMITÉE, VOTRE SEUL ET UNIQUE RECOURS DOIT ÊTRE LA RÉPARATION OU LE REMPLACEMENT DU PRODUIT, À NOTRE DISCRÉTION, COMME INDIQUÉ AUX PRÉSENTES. NEWAGE NE DOIT PAS ÊTRE TENU RESPONSABLE DES DOMMAGES ACCESSOIRES ET INDIRECTS. Certains États ainsi que certaines provinces ne permettent pas l'exclusion ou la limitation des dommages accessoires ou indirects, il est par conséquent possible que ces limitations et exclusions ne s'appliquent pas à vous. Cette garantie vous donne des droits légaux particuliers et vous pourriez également disposer d'autres droits variant selon l'État ou la province.