

ASSEMBLY INSTRUCTIONS

Circular Chair

EEl-7727 / V0.04.17.26

modway



Questions? Contact us!

609.256.9000

cs@modway.com

Welcome. Let's get started.

Before you begin, here are some things to keep in mind:

Assembly will take most people **about 60 minutes**. Consider having a friend help you!

Only use hand tools to assemble this item. Do not use power tools. Do not tighten bolts or screws completely until all hardware is lined up and inserted into the holes.

Read through all of the instructions before starting. Make sure you have all parts and components before discarding any packing materials.

Do not over-tighten screws and bolts to avoid stripping the hardware or cracking the item.

Assemble your item on a flat, carpeted area, with plenty of space to work. This will prevent damage and scratches to your floors or the item while you're assembling the product.

Keep all components and packaging out of reach of children or animals to avoid risk of choking or suffocation.

Care instructions are listed in the last step of this manual.

WAIT!

Missing parts or hardware? Need assistance?
Contact us before returning your item.
We're here to help!



HARDWARE INCLUDED IN THE BOX:

A		Screw M4 x 16mm(RB)	x2
B		Screw M6 x 40mm	x14
C		Screw M7 x 85mm	x4
D		Wood Dowel Ø6 x 20mm	x14
E		Wood Dowel Ø8 x 25mm	x6
F		Wood Dowel Ø8 x 35mm	x8
G		Cam Bolt 20 x 5mm	x20
H		Cam Lock 15/12	x8
J		Cam Lock 15/10	x12
K		Half Moon Washer	x12
L		Hex Nut	x12
M		Washer	x2
N		Full Thread Stud Bolt M8 x 75mm	x6
P		Plastic Hole Plug (Ø35mm)	x12
Q		Steel L Bracket	x2
R		Allen Key	x1
S		Spanner	x2

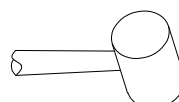
WHAT YOU NEED:



Phillips



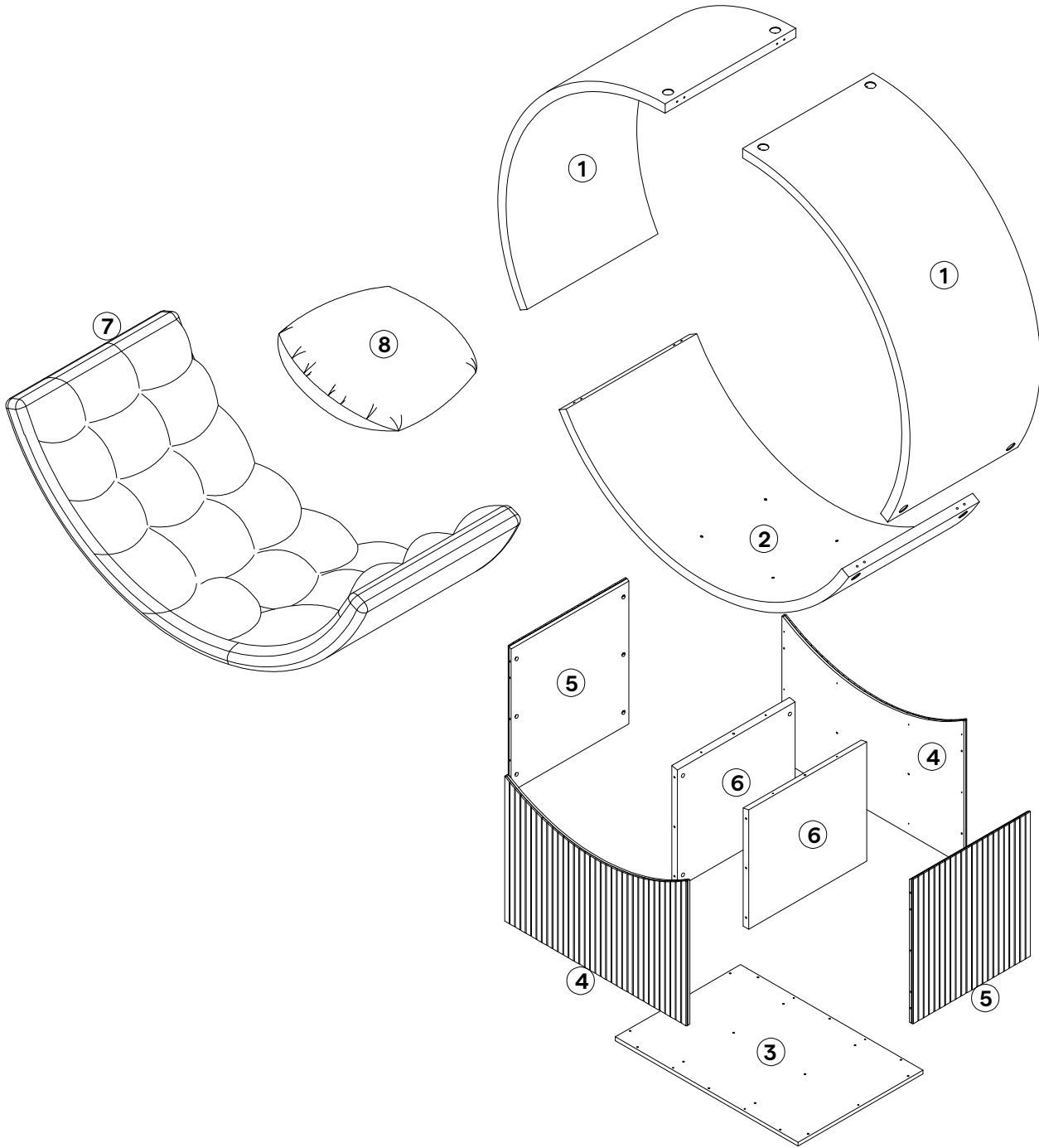
Phillips Head Screwdriver



Mallet

FURNITURE COMPONENTS INCLUDED IN THE BOX:

All parts are numbered with a sticker according to this list.



1	Arched Panel Top	x2	4	Face Panel	x2	7	Cushion	x1
2	Arched Panel Bottom	x1	5	Side Panel	x2	8	Throw Pillow	x1
3	Bottom Panel	x1	6	Support Panel	x2			

HARDWARE

- D** Wood Dowel Ø6 x 20mm x14
- E** Wood Dowel Ø8 x 25mm x6
- F** Wood Dowel Ø8 x 35mm x6
- G** Cam Bolt 20 x 5 mm x20

COMPONENTS

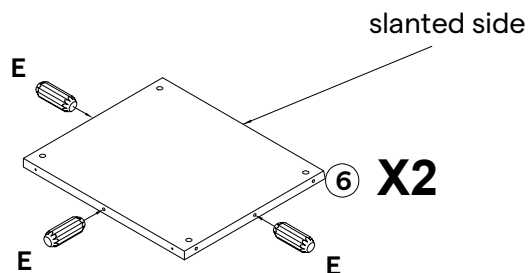
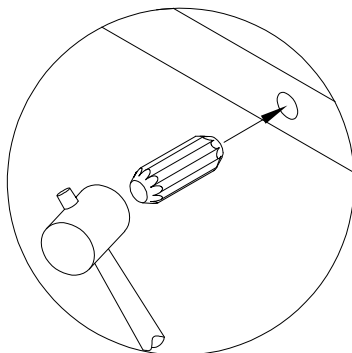
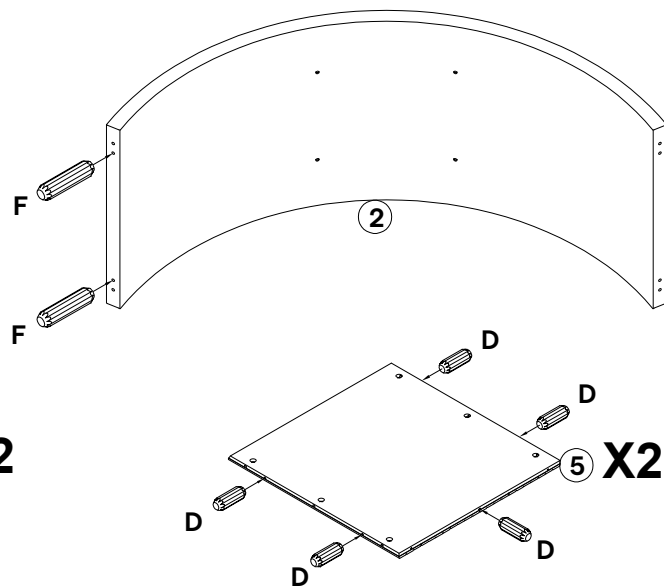
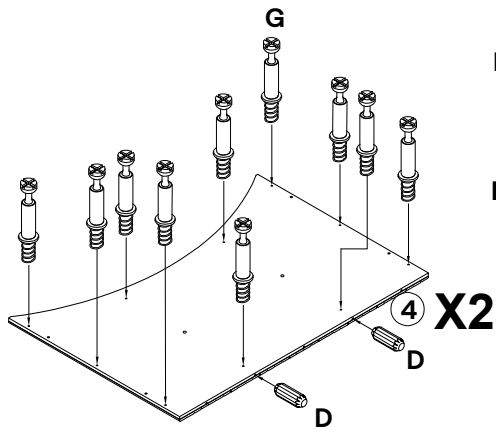
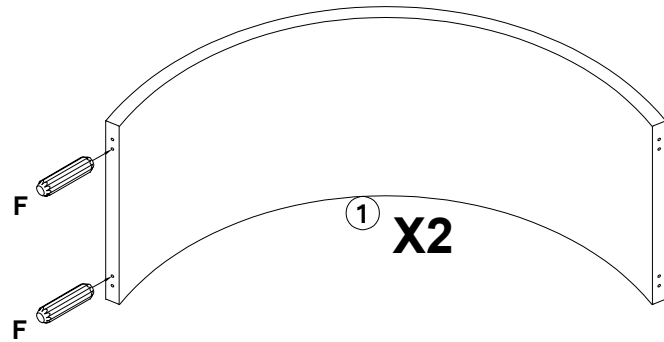
- 1** Arched Panel Top x2
- 2** Arched Panel Bottom x1
- 4** Face Panel x2
- 5** Side Panel x2
- 6** Support Panel x2

1.1 Insert **Wood Dowel (D)** into the innermost pre-drilled holes on the bottom edge of **Face Panel (4)** and left, right and bottom edge of **Side Panel (5)**.

1.2 Insert **Wood Dowel (E)** into the innermost pre-drilled holes on the left, right and bottom edge of **Support Panel (6)**.

1.3 Insert **Wood Dowel (F)** into the innermost pre-drilled holes on the left edge of **Arched Panel Top (1)** and **Arched Panel Bottom (2)**.

1.4 Insert **Cam Bolt (G)** into the back side of **Face Panel (4)** then tighten using screwdriver.



HARDWARE

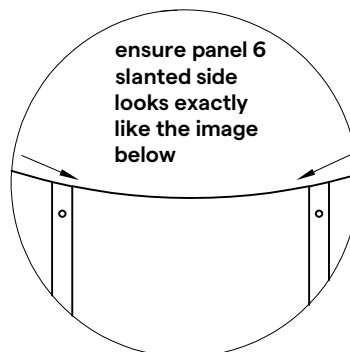
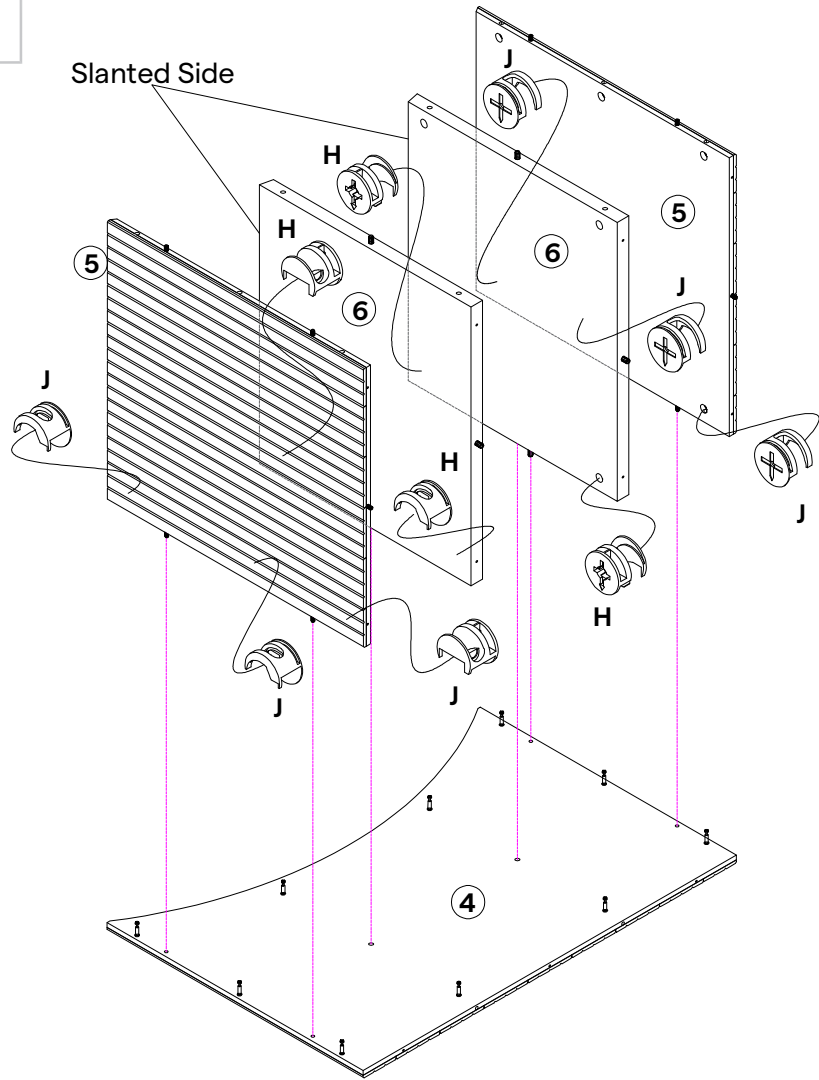
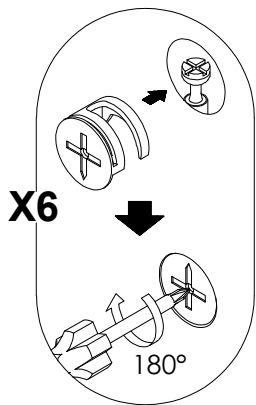
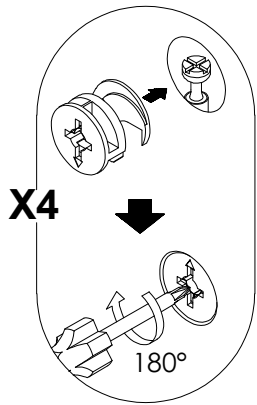
- H** Cam Lock 15/12 x4
- J** Cam Lock 15/10 x6

COMPONENTS

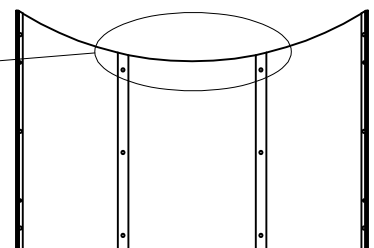
- 4** Face Panel x1
- 5** Side Panel x2
- 6** Support Panel x2

2.1 Connect **Support Panel (6)** to **Face Panel (4)** by inserting **Cam Lock (H)** into the corresponding holes then tighten using screwdriver.

2.2 Connect **Side Panel (5)** to **Face Panel (4)** by inserting **Cam Lock (J)** into the corresponding holes then tighten using screwdriver.



TOP DOWN VIEW



HARDWARE

H Cam Lock 15/12 x4

J Cam Lock 15/10 x6

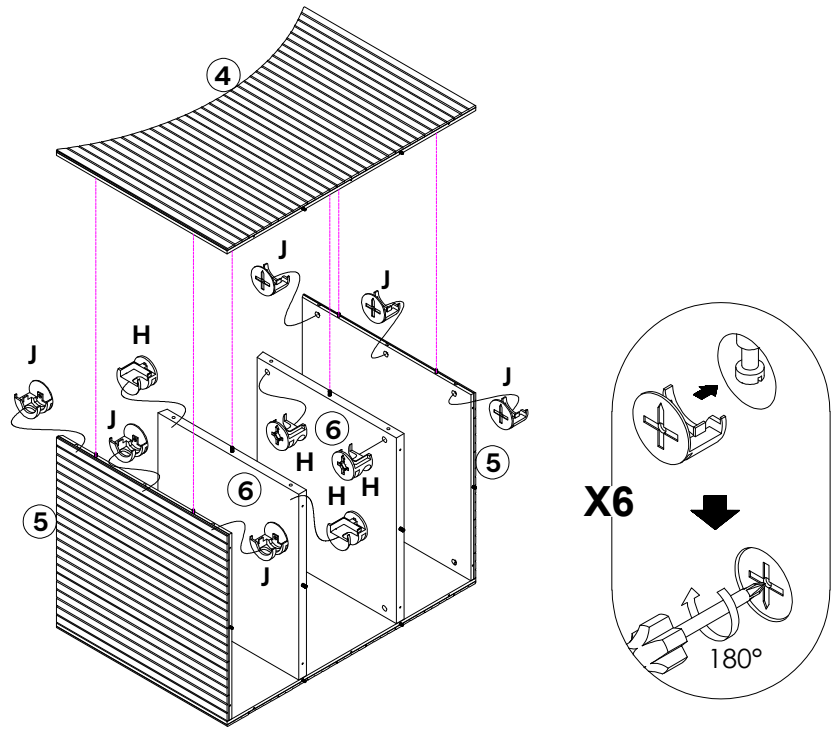
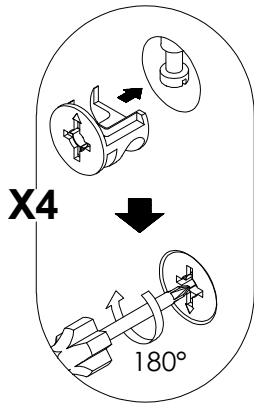
COMPONENTS

4 Face Panel x1

5 Side Panel x2

6 Support Panel x2

3.1 Connect **Face Panel (4)** to **Side Panel (5)** and **Support Panel (6)** by inserting **Cam Lock (H)** and **Cam Lock (J)** into the corresponding holes then tighten using screwdriver.



STEP 04

4.1 Secure **Bottom Panel (3)** to **Face Panel (4)**, **Side Panel (5)** and **Support Panel (6)** with **Screw (B)** then tighten using the provided **Allen Key (R)**.

HARDWARE

B Screw M6 x 40mm x14

COMPONENTS

3 Bottom Panel x1

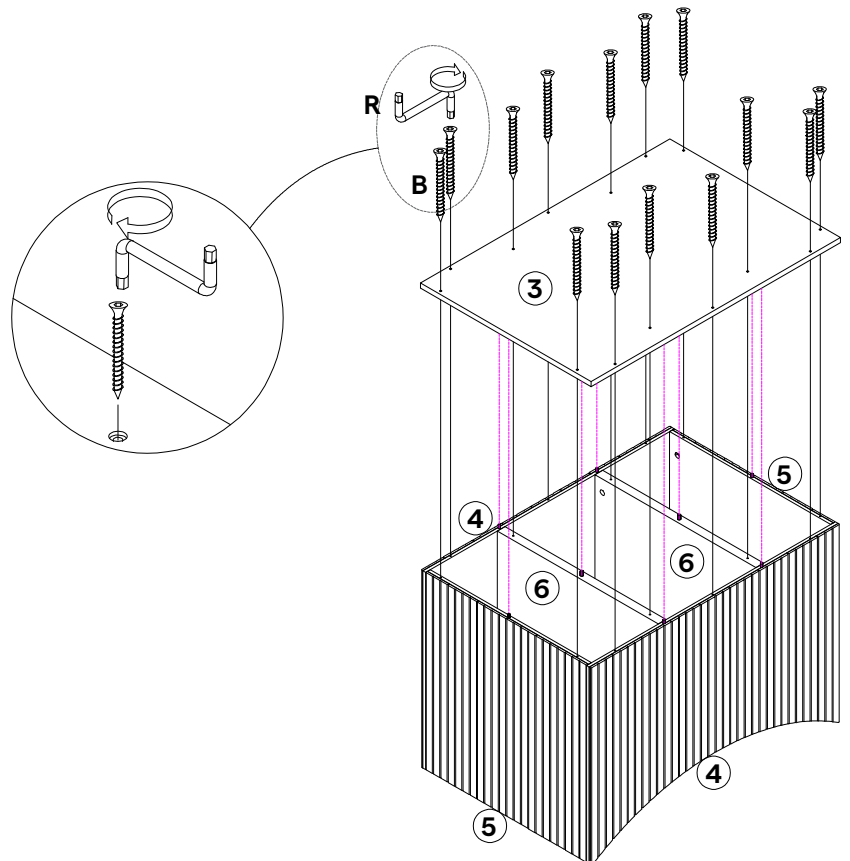
4 Face Panel x2

5 Side Panel x2

6 Support Panel x2

TOOLS

R Allen Key



HARDWARE

- K** Half Moon Washer x12
- L** Hex Nut x12
- N** Full Thread Stud Bolt M8 x75mm x6

COMPONENTS

- 1** Arched Panel Top x2
- 2** Arched Panel Bottom x1

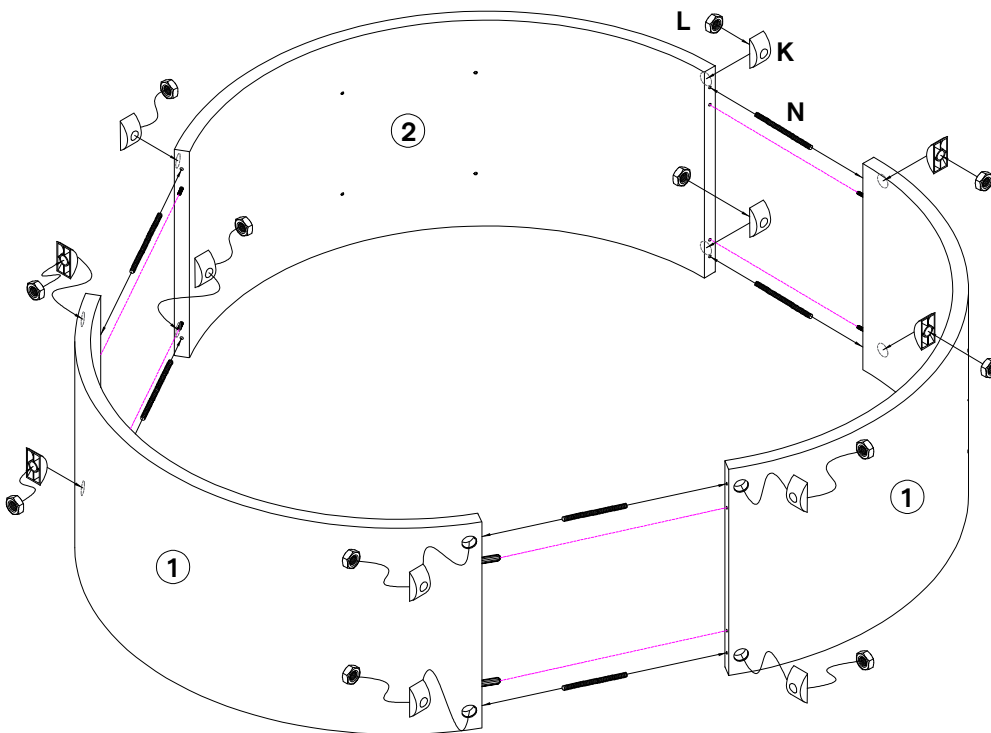
TOOLS

- S** Spanner

5.1 Insert **Half Moon Washer (K)** into the innermost pre-drilled holes on **Arched Panel Top (1)** and **Arched Panel Bottom (2)**.

5.2 Insert **Full Thread Stud Bolt (L)** through **Arched Panel Top (1)**, **Arched Panel Bottom (2)** and the **Half Moon Washer (K)** that was inserted in step 5.1.

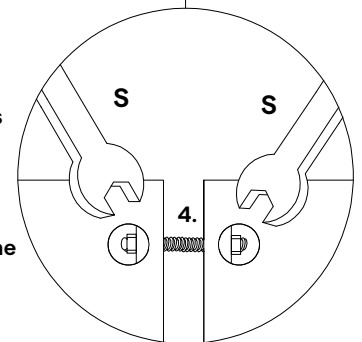
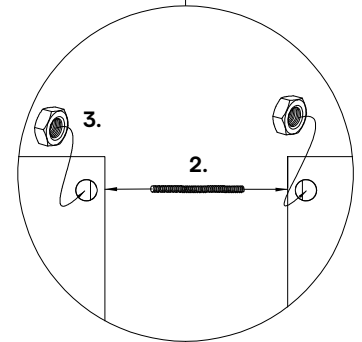
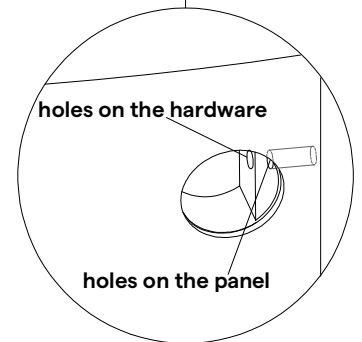
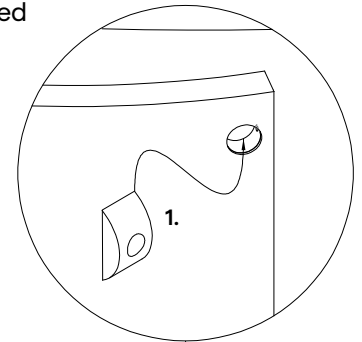
5.3 Secure **Hex Nut (L)** into **Full Thread Stud Bolt (N)** through **Arched Panel Top (1)** and **Arched Panel Bottom (2)** by using the provided **Spanner (S)** but do not fully tighten, only tighten the **Hex Nut (L)** when the last bubble instruction below has been achieved.



ensure both holes are facing the same direction

Insert both hardware and tighten it to about 70% only. Leave it slightly loose before final tightening.

Once every holes on panel 1 and 2 looks like this, then proceed to fully tighten the nut to connect the panel



HARDWARE

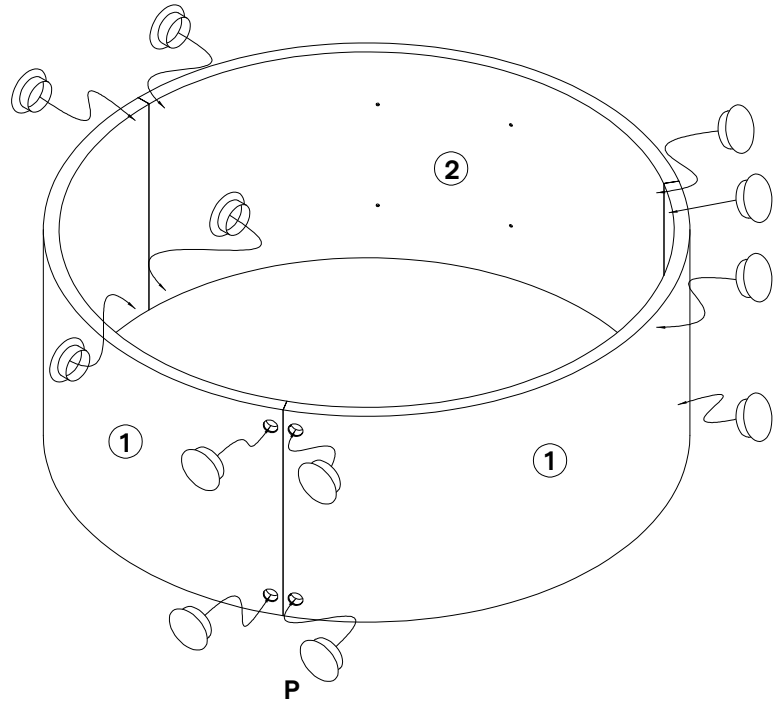
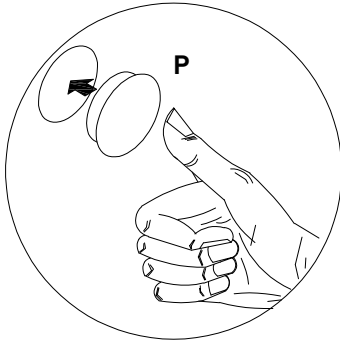
P Plastic Hole Plug x12

COMPONENTS

1 Arched Panel Top x2

2 Arched Panel Bottom x1

6.1 Insert **Plastic Hole Plug (P)** into the innermost pre-drilled holes on **Arched Panel Top (1)** and **Arched Panel Bottom (2)**.



STEP 07

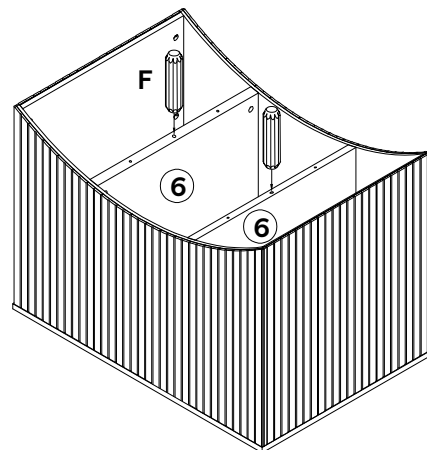
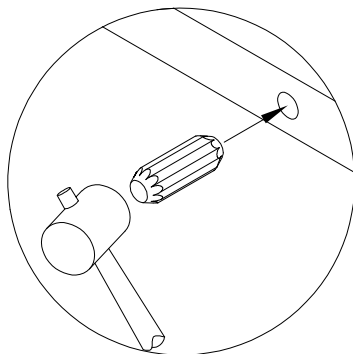
HARDWARE

F Wood Dowel Ø8 x 35mm x2

COMPONENTS

6 Support Panel x2

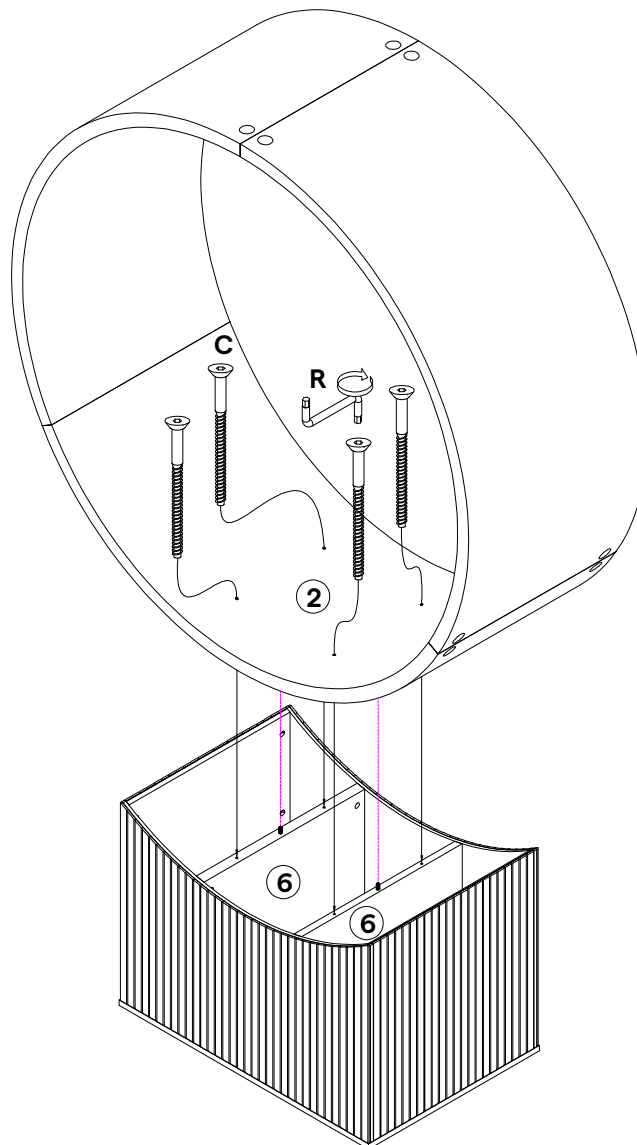
7.1 Insert **Wood Dowel (F)** into the innermost pre-drilled holes on **Support Panel (6)** as image below shown.



HARDWARE**C** Screw M7 x 85mm x4**COMPONENTS****2** Arched Panel Bottom x1**6** Support Panel x2**TOOLS****R** Allen Key

8.1 Secure **Arched Panel Bottom (2)** to **Support Panel (6)** with **Screw (C)** by using the provided **Allen Key (R)**.

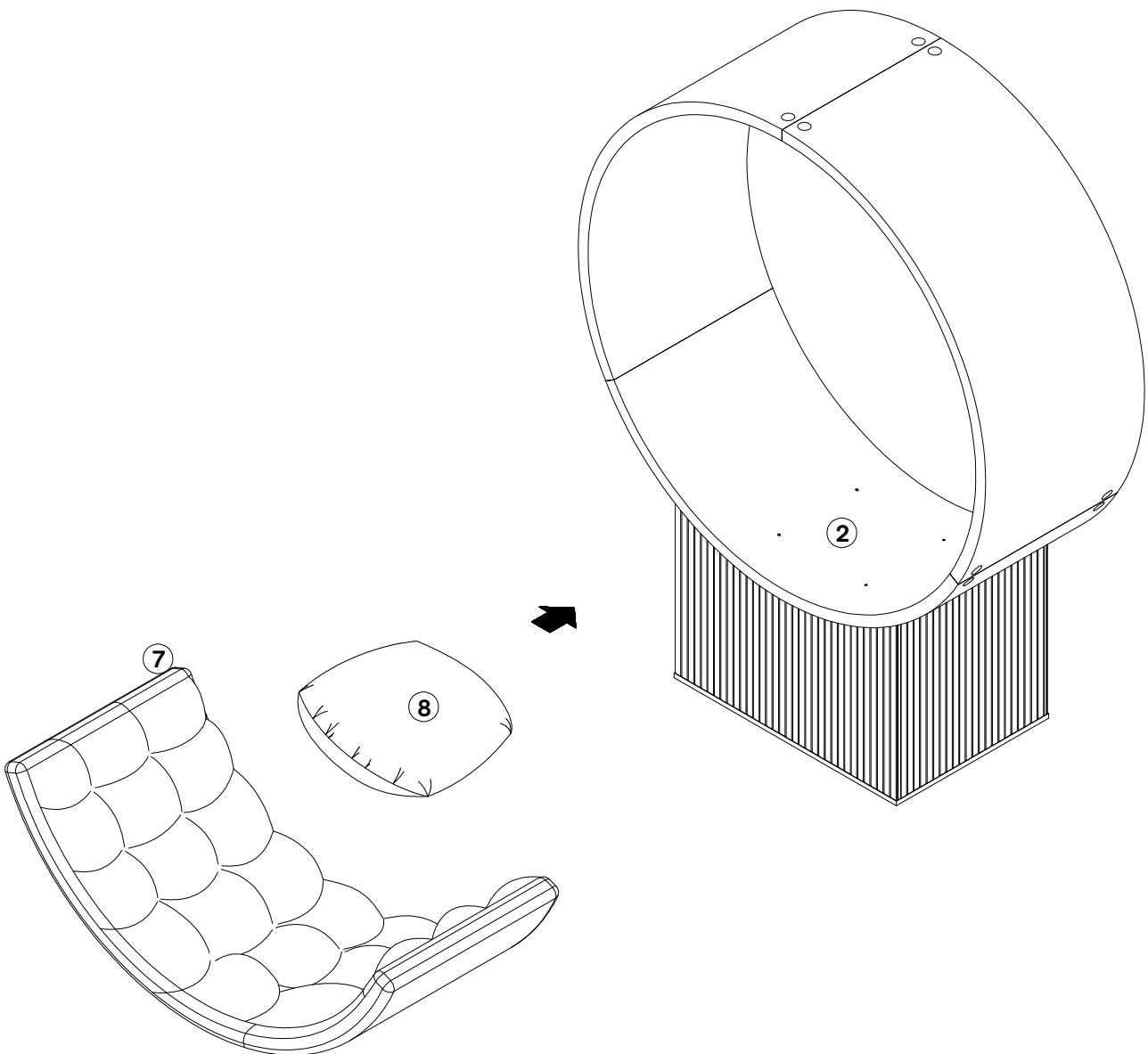
We recommend this step is being handled by three people to make the assembly easier.



COMPONENTS

2 Arched Panel Bottom	x1
7 Cushion	x1
8 Throw Pillow	x1

9.1 Insert **Cushion (7)** and **Throw Pillow (8)** on top of **Arched Panel Bottom (2)**.



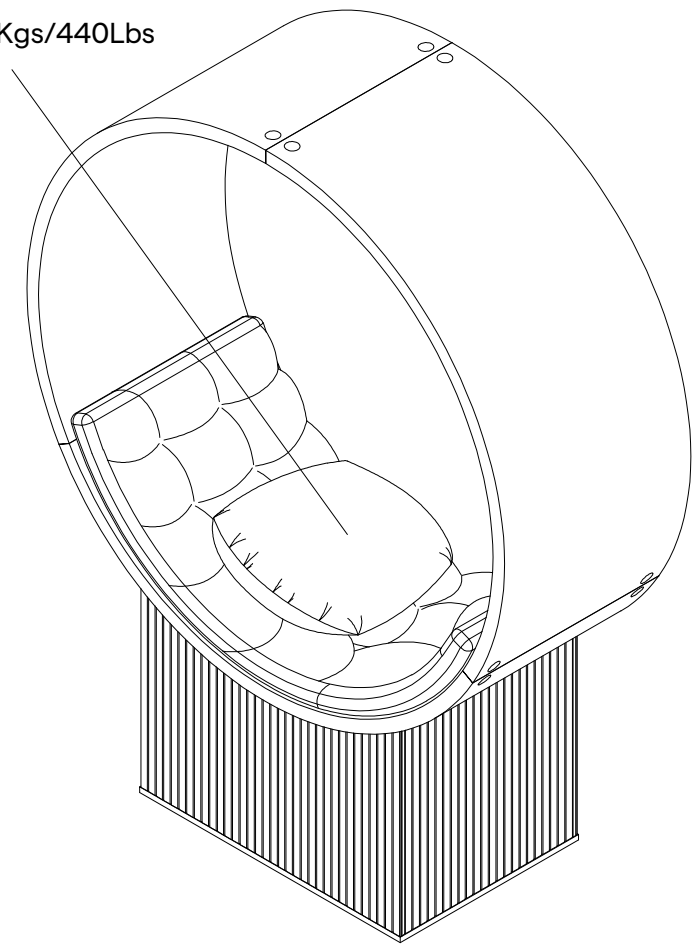
Great job!

Max 200Kgs/440Lbs

Your chair assembly is complete.

CARING FOR YOUR ITEM

- Indoor use only.
- Not contract grade.
- Clean using a non-abrasive cloth and a mild cleaner.
- Never use harsh chemicals, as they could damage the finish or integrity of the item.



CONNECT WITH US!

Tag us [@modway_furniture](#) and [#modway](#) for a chance to be featured.

modway

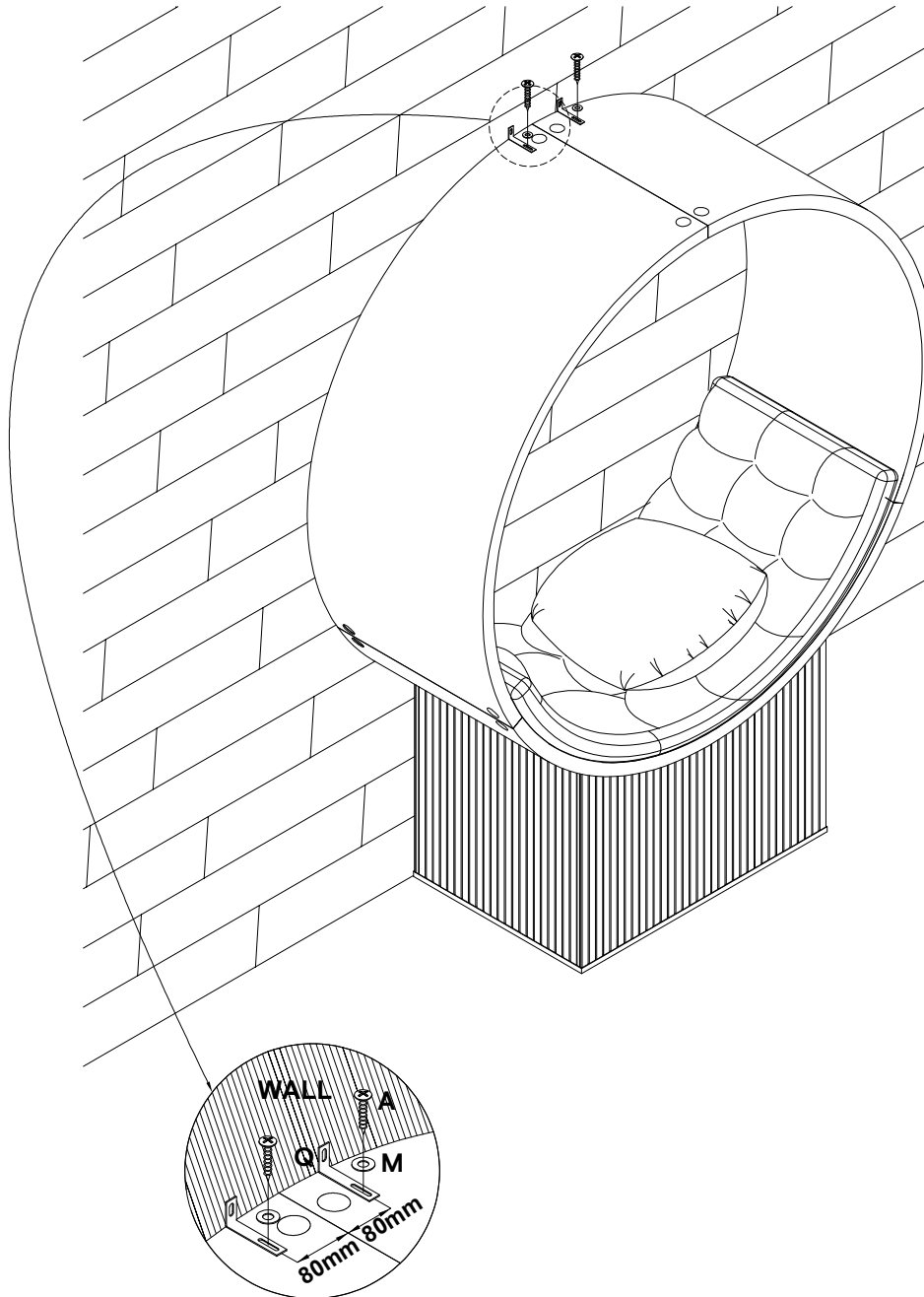
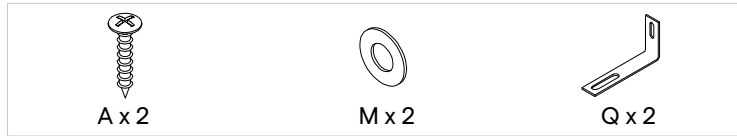


Questions? Contact us!

609.256.9000
cs@modway.com

TIPPING RESTRAINTS KIT INSTALLATION GUIDANCE

For your safety it is imperative to fix your furniture to the wall
Different wall materials require unique wall fasteners . Please consult your local hardware store to ensure you are using the correct hardware for your wall type



Installation Instructions :

1. Lean the chair against the wall
2. Measure 80mm and attach Steel L bracket (Q) to the chair using Screw (A) and Washer (M) by using the line on the connected panel as the starting point. (Refer the image above)
3. Consult your local hardware store to ensure you are using the correct hardware for your wall type before securing your chair to the wall.