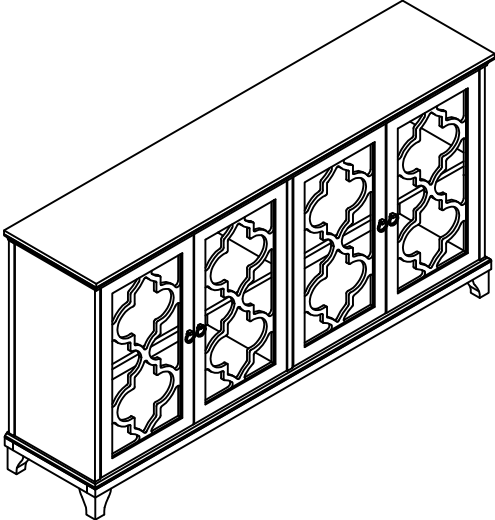
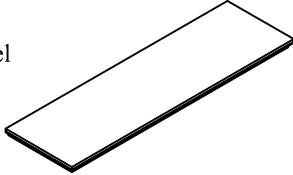
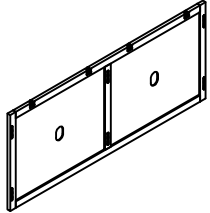
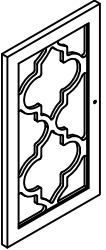

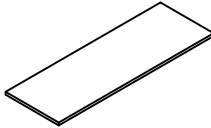
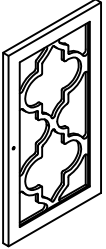
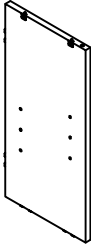
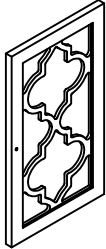
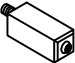
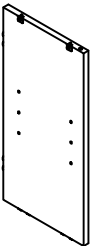
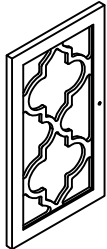
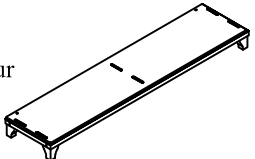


# PARTS LIST / LISTE DES PIÈCES / LISTA DE PIEZAS

ITEM NO. / ARTICLE NO. / ARTICULO NO : DS-D419-106

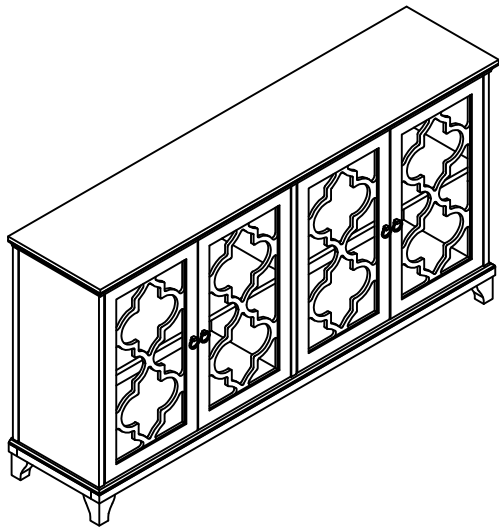
DESCRIPTION / DESCRIPCIÓN/Description : BLUE KD FOUR DOOR CABINET /ARMOIRE KD QUATRE PORTES/ARMARIO KD CUATRO PUERTAS

	<p><b>(A)</b></p> <p>X1 Top panel X1 Techo X1 Le toit</p> 	<p><b>(E)</b></p> <p>X1 Back panel X1 Placa posterior X1 Fond de panier</p> 	<p><b>(I)</b></p> <p>X1 Middle left door X1 X1</p> 
	<p><b>(B)</b></p> <p>X1 Left side panel X1 Panel izquierdo X1 Panneau gauche</p> 	<p><b>(F)</b></p> <p>X2 Adjustable shelf X2 Plateau réglable X2 Estante ajustable</p> 	<p><b>(J)</b></p> <p>X1 Middle right door X1 X1</p> 
	<p><b>(C)</b></p> <p>X1 Right side panel X1 Panel lateral derecho X1 Panneau latéral droit</p> 	<p><b>(G)</b></p> <p>X1 Right door X1 Porte droite X1 Derecho puerta</p> 	<p><b>(K)</b></p> <p>X1 Support leg X1 X1</p> 
	<p><b>(D)</b></p> <p>X1 Divider panel X1 Panneau séparateur X1 Panel divisor</p> 	<p><b>(H)</b></p> <p>X1 Left door X1 Porte gauche X1 Puerta izquierda</p> 	<p><b>(L)</b></p> <p>X1 Bottom panel X1 Panneau inférieur X1 Panel inferior</p> 

# PARTS LIST / LISTE DES PIÈCES / LISTA DE PIEZAS

ITEM NO. / ARTICLE NO. / ARTICULO NO : DS-D419-106

DESCRIPTION / DESCRIPCIÓN/Description : BLUE KD FOUR DOOR CABINET /ARMOIRE KD QUATRE PORTES/ARMARIO KD CUATRO PUERTAS



①

X4 Knob  
X4 Bouton  
X4 Perilla



②

X5 Wood dowel (8x30mm)  
X5 Goujons de bois (8x30mm)  
X5 Tarugo de madera (8x30mm)



③

X8 Shelf Support Ø6.5mm  
X8 Soporte laminado Ø6.5mm  
X8 Support en stratifié Ø6.5mm



④

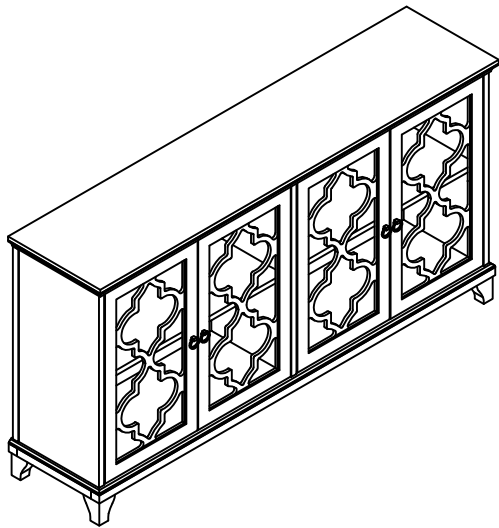
X4 Handle screw Ø5/32"\*14mm  
X4 Tornillo de la manija Ø5/32"\*14mm  
X4 Vis de poignée Ø5/32"\*14mm



# PARTS LIST / LISTE DES PIÈCES / LISTA DE PIEZAS

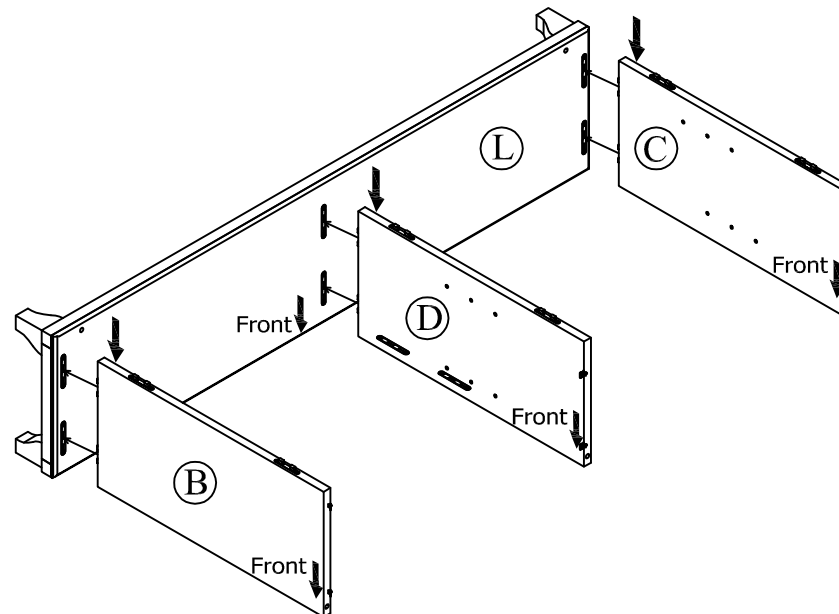
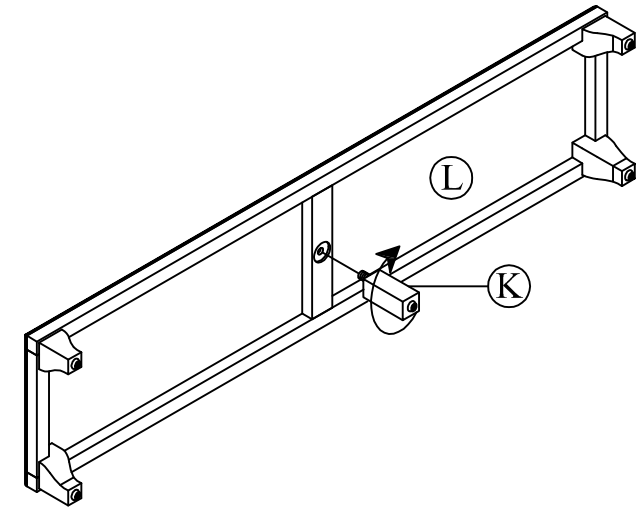
ITEM NO. / ARTICLE NO. / ARTICULO NO : DS-D419-106

DESCRIPTION / DESCRIPCIÓN/Description : BLUE KD FOUR DOOR CABINET /ARMOIRE KD QUATRE PORTES/ARMARIO KD CUATRO PUERTAS



## Step 1.

Lay down the Bottom Panel (Part L) on a soft floor, screw the Support Leg (Part K) into the Bottom Panel (Part L) in the clockwise direction. Note that when assembly is complete and your cabinet is placed into the desired position in your home, the adjustable leveler on the support leg should be extended to touch the floor.



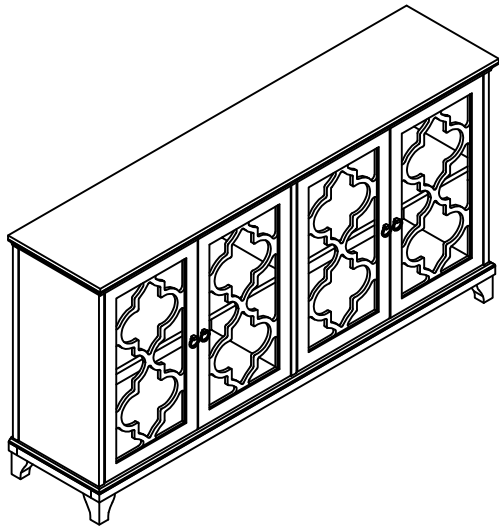
## Step 2.

Insert the Left Side Panel/ Divider Panel & Right Side Panels (Parts B&D&C) into the Bottom Panel (Part L) and press down to secure into place making sure that the holes in the side panels are facing inward.

# PARTS LIST / LISTE DES PIÈCES / LISTA DE PIEZAS

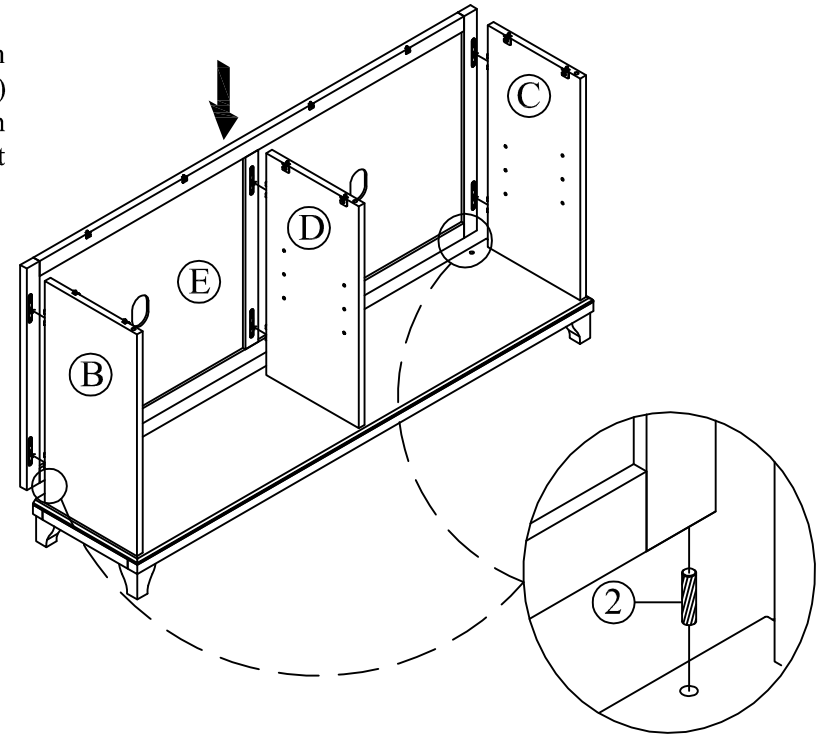
ITEM NO. / ARTICLE NO. / ARTICULO NO : DS-D419-106

DESCRIPTION / DESCRIPCIÓN/Description : BLUE KD FOUR DOOR CABINET /ARMOIRE KD QUATRE PORTES/ARMARIO KD CUATRO PUERTAS



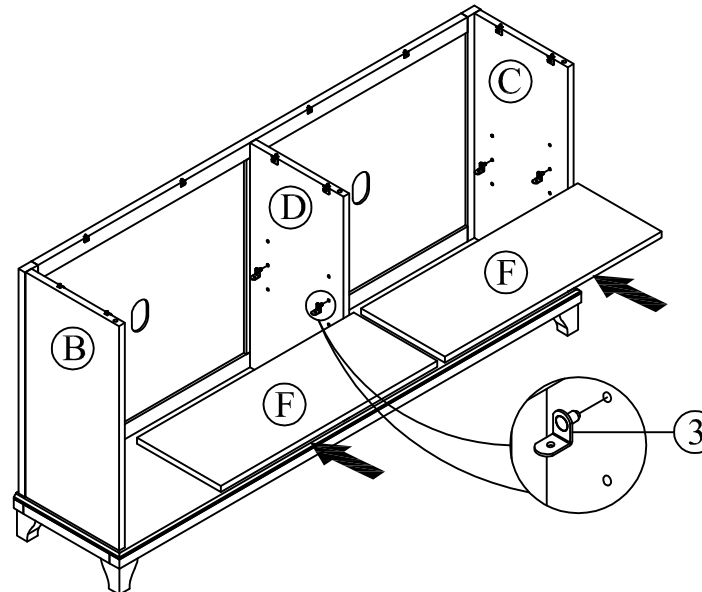
## Step 3.

Insert Wood dowel (Part 2) on the Bottom Panel (Part L) Insert the hardware on panels (B,C&D) into the hardware on back panel (Part E). Press down on back panel (Part E) to secure into place. Make sure that the tops of the panels are flush.



## Step 4.

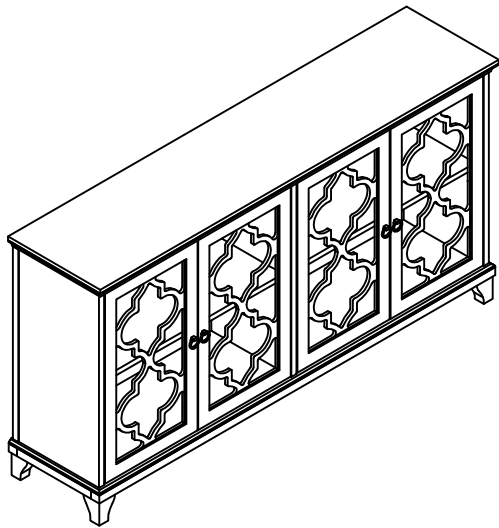
Insert Shelf Support (Part 3) into the holes as shown. Then, insert the Adjustable Shelves (Part F) into the cabinet to the position where there are shelves support.



# PARTS LIST / LISTE DES PIECES / LISTA DE PIEZAS

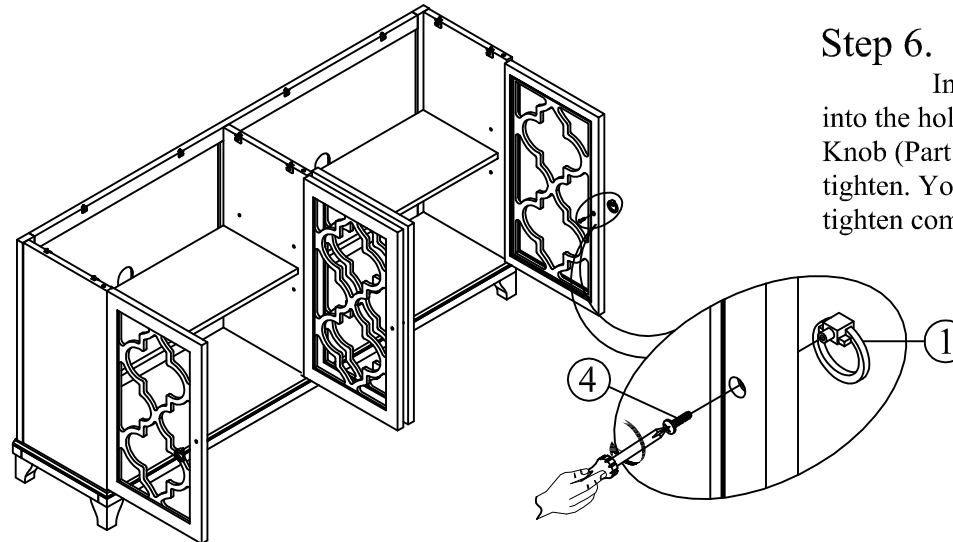
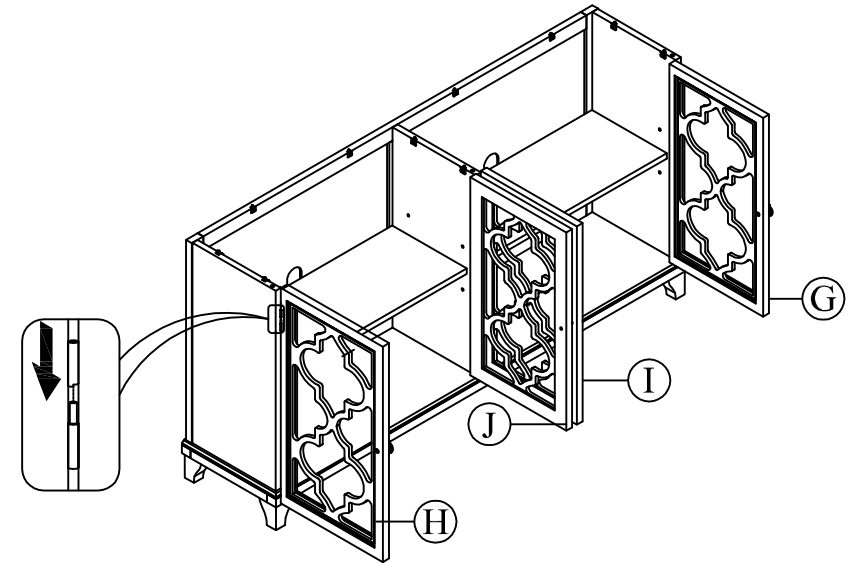
ITEM NO. / ARTICLE NO. / ARTICULO NO : DS-D419-106

DESCRIPTION / DESCRIPCIÓN/Description : BLUE KD FOUR DOOR CABINET /ARMOIRE KD QUATRE PORTES/ARMARIO KD CUATRO PUERTAS



## Step 5.

Align the hinges on Doors (Parts G, H, I & J) with the hinges on the panels (Parts B, C & D). Press down to secure them into place.



## Step 6.

Insert the Handle Screw for the Knob (Part 4) into the hole from the back side of the doors. Add the Knob (Part 1) and turn the handle screw clockwise to tighten. You will need a phillips head screw driver to tighten completely.

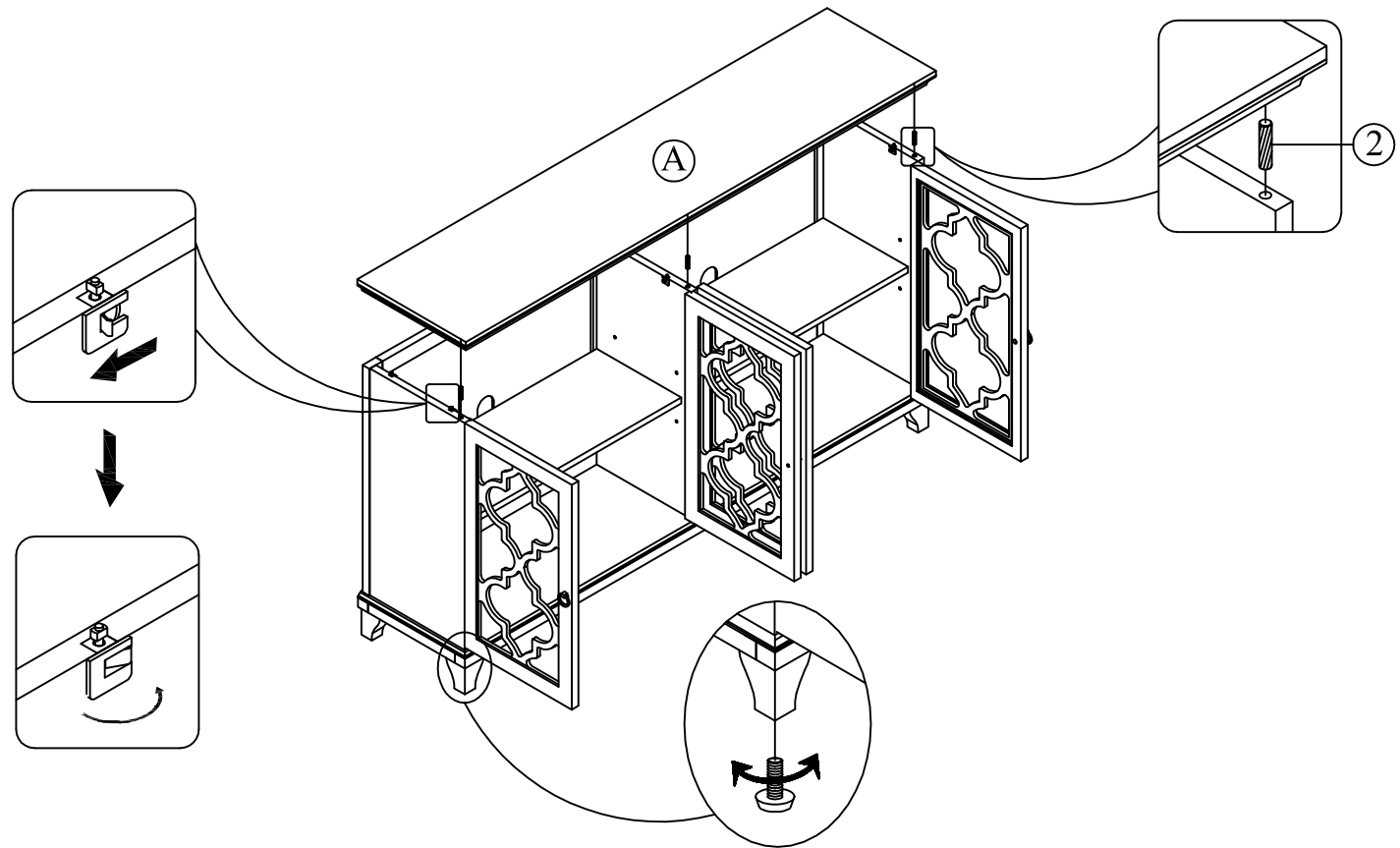
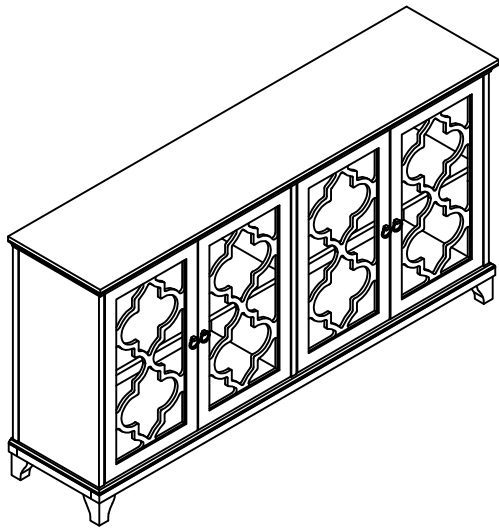
# PARTS LIST / LISTE DES PIÈCES / LISTA DE PIEZAS

ITEM NO. / ARTICLE NO. / ARTICULO NO : DS-D419-106

DESCRIPTION / DESCRIPCIÓN/Description : BLUE KD FOUR DOOR CABINET /ARMOIRE KD QUATRE PORTES/ARMARIO KD CUATRO PUERTAS

## Step 7.

Insert Wood Dowel (Part 2) on the top of frame. Make sure that all of the switch locking hardware in the panels are in the open position as indicated by the straight arrow in the diagram. Align the hardware in the Top Panel (Part A) with the hardware on the top of frame and press down so make sure the Top Panel is flush with the panels. Lock the top panel into place by turning the switches indicated the by the curved arrow in the diagram below.

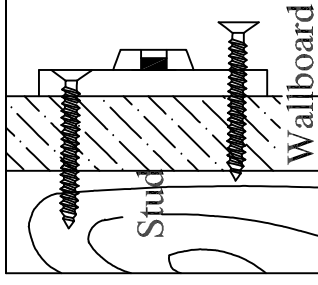


# Furniture Safety Bracket Tip Resistant

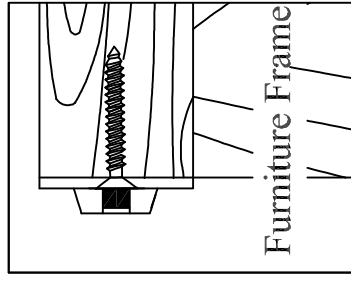
- Designed to help prevent furniture tipover.
- Detachable strap allows for easy moving of furniture for cleaning .
- Also helps prevent furniture tipover during minor tremor.

## Installation:

1. Locate a wall stud behind your furniture. Position a bracket on the stud approximately 1" below the top of the furniture. Mark and drill pilot hole into the center of the stud with a 3/32" drill bit. Attach a bracket to the stud with the long screws provided.
2. On the back of the furniture, a bracket will need to be attached to the furniture frame at the top. To do this, temporarily move the furniture into its final position and mark the location of the wall bracket on the furniture frame. Move the furniture away from the wall and place a bracket on the mark. Mark and drill holes for screws with a 3/32" drill bit. Attach the bracket to the furniture with the short screws provided.



3. Move the furniture into its final position, taking care to line up the wall bracket with the furniture bracket. Thread a strap through the bracket as shown in the illustration. Tighten strap until snug. Do not over tighten.



## Important:

Check to be sure the wall bracket is firmly screwed into wall stud, the furniture bracket is firmly attached to the frame, and the strap is snug.

## Caution:

This product is not to be a substitute for proper parental supervision. Manufacturer assumes no liability for improper installation or excessive loads placed on screws brackets or straps.

