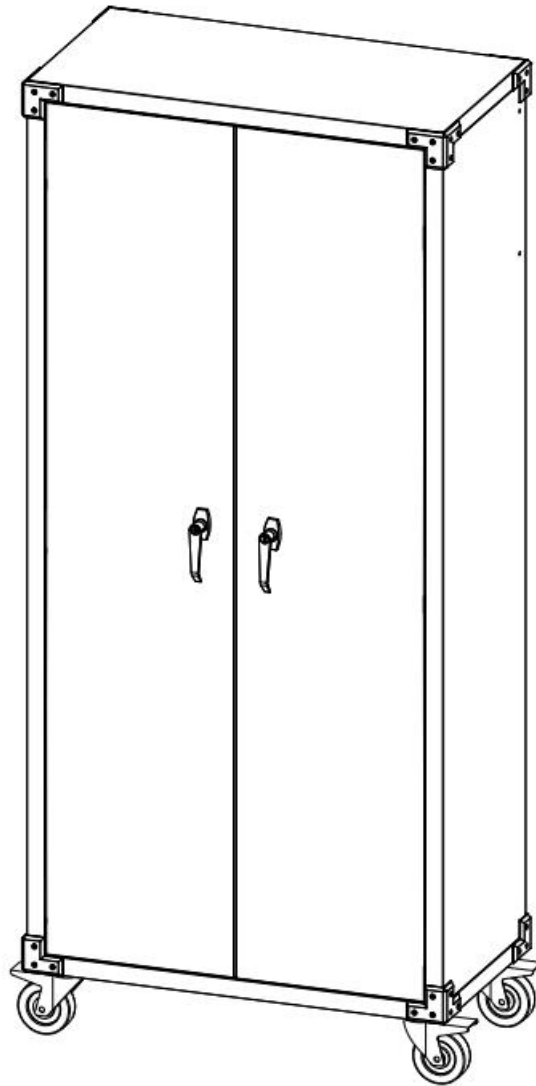


Cabinet

Product ID: QUFLD

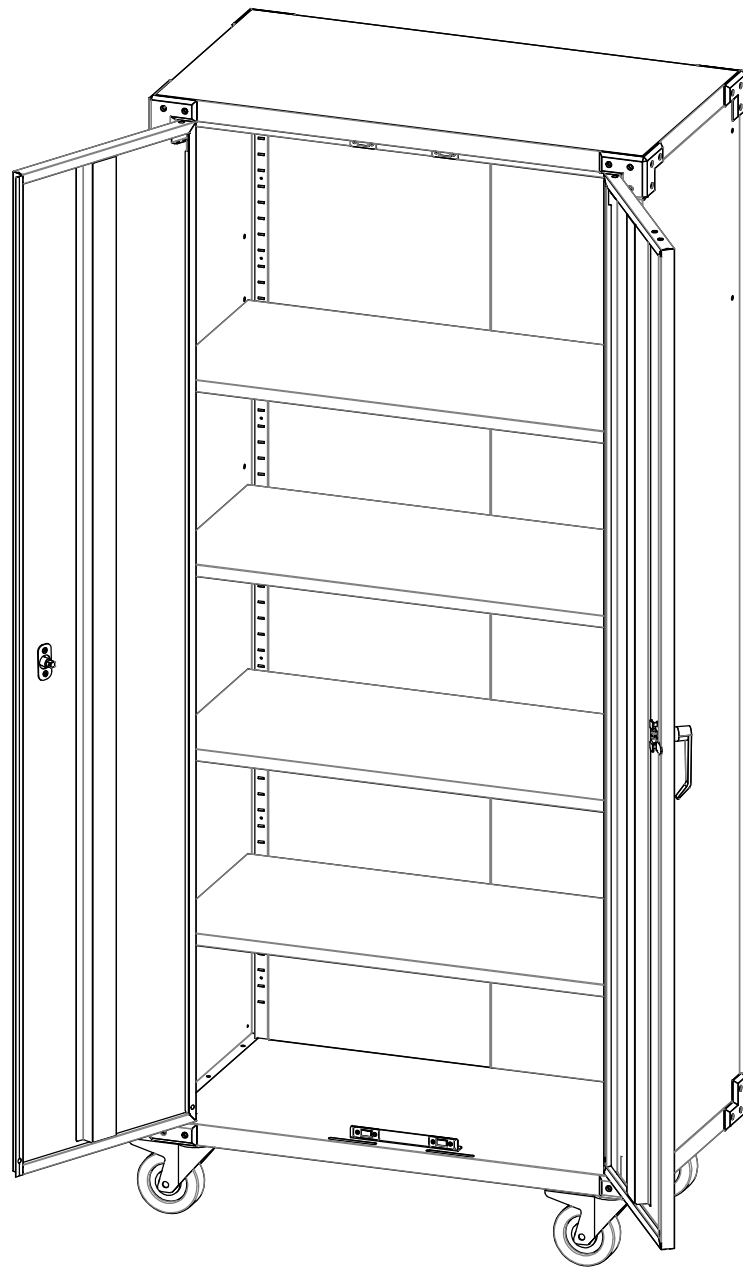


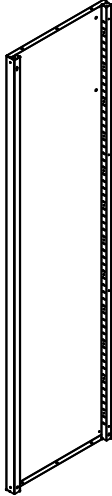
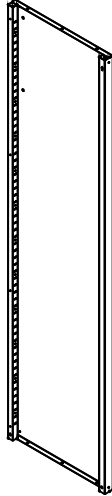
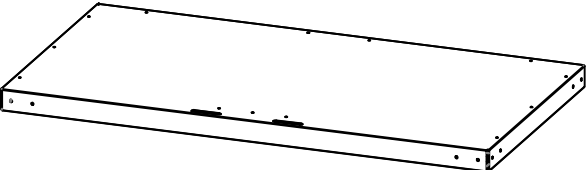
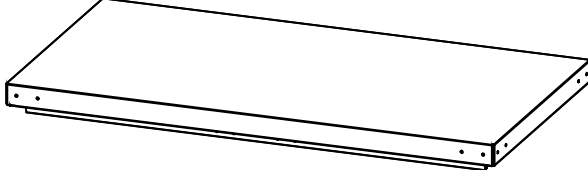
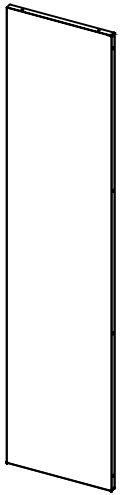
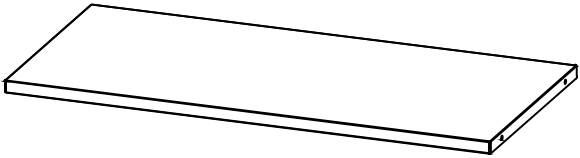
Scan for Support

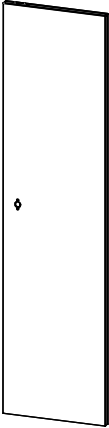
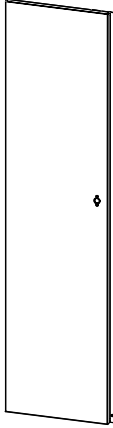
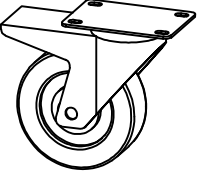
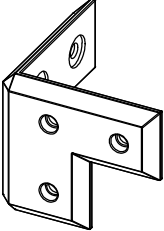

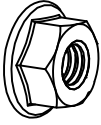

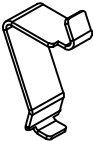




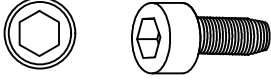
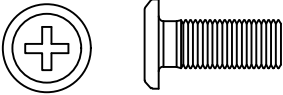
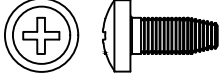

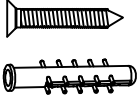
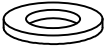

Distributed by
GARVEE.com

support@garvee.com



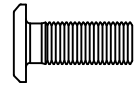
A	Left side panel	1PC	B	Right side panel	1PC
					
C	Bottom panel	1PC	D	Top panel	1PC
					
E	Back panel	2PCS	G	Shelf	4PCS
					

H	Right door	1PC	I	Left door	1PC
					
K	Castor	4PCS	L	Corner protector	8PCS
					
M	Door magnet	1PC	N		4PCS
					
O	Anti-tipping strap	2PCS	P	Shelf clasp	16PCS
					

Q	Handle lock	PCS	R	50PCS
Q ₁		Q ₂		
S	M6*15	20PCS	T	31PCS
				
U	Door pivot	2PCS	V	Expansion screw
	 <p data-bbox="890 1500 1295 1563">Including 2 spare lock rod sleeves (Already pre-installed)</p>			
W	Shim	4PCS	X	Lock rod
				

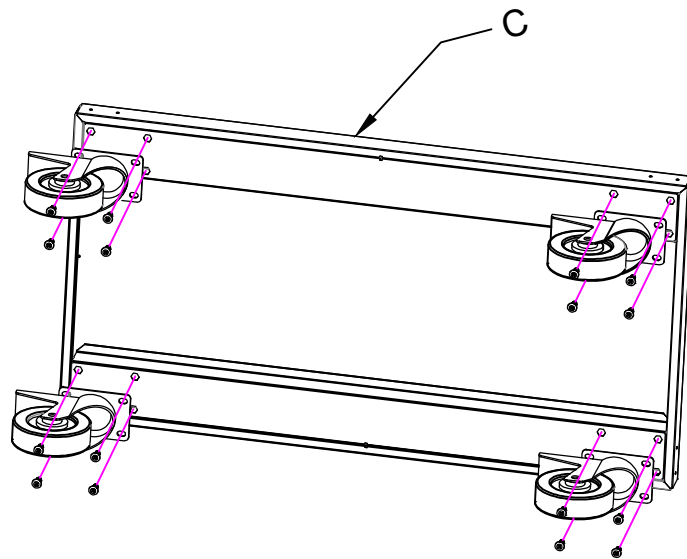
Step 1

S

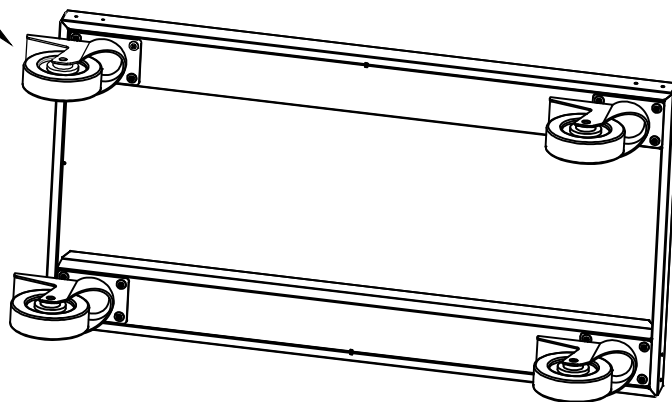


16PCS

Install the castors (K) to the bottom panel (C) with screws S

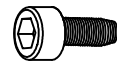


K*4



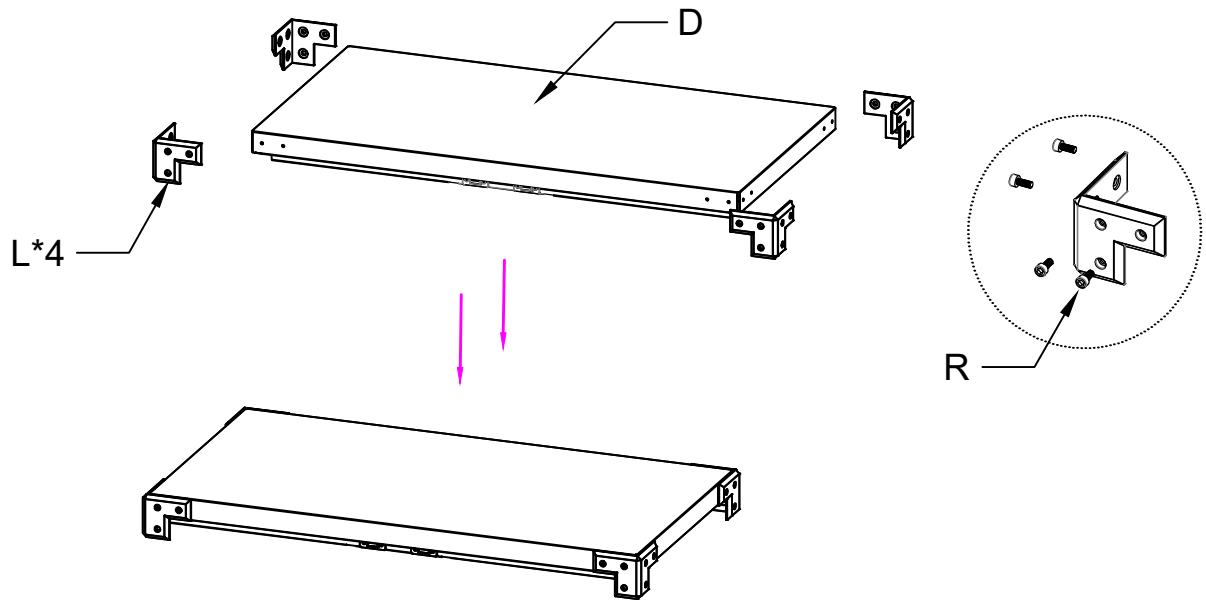
Step 2

R

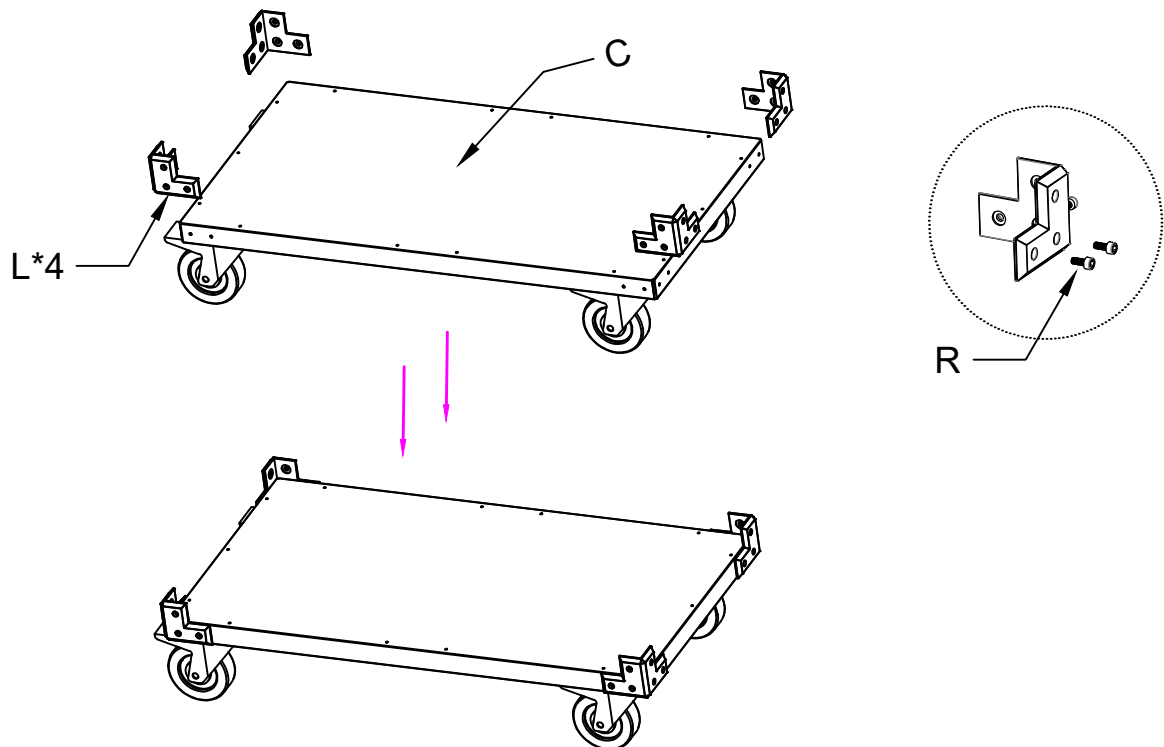


32PCS


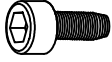


Install the corner protectors (L) to the bottom panel (C) and top panel (D) with screws R



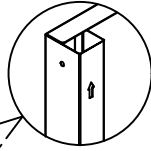
Please brake the casters to install the corner protectors easier



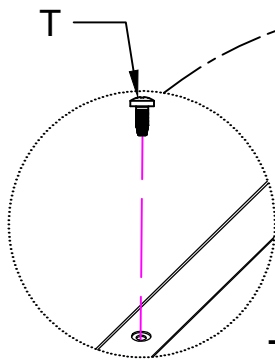
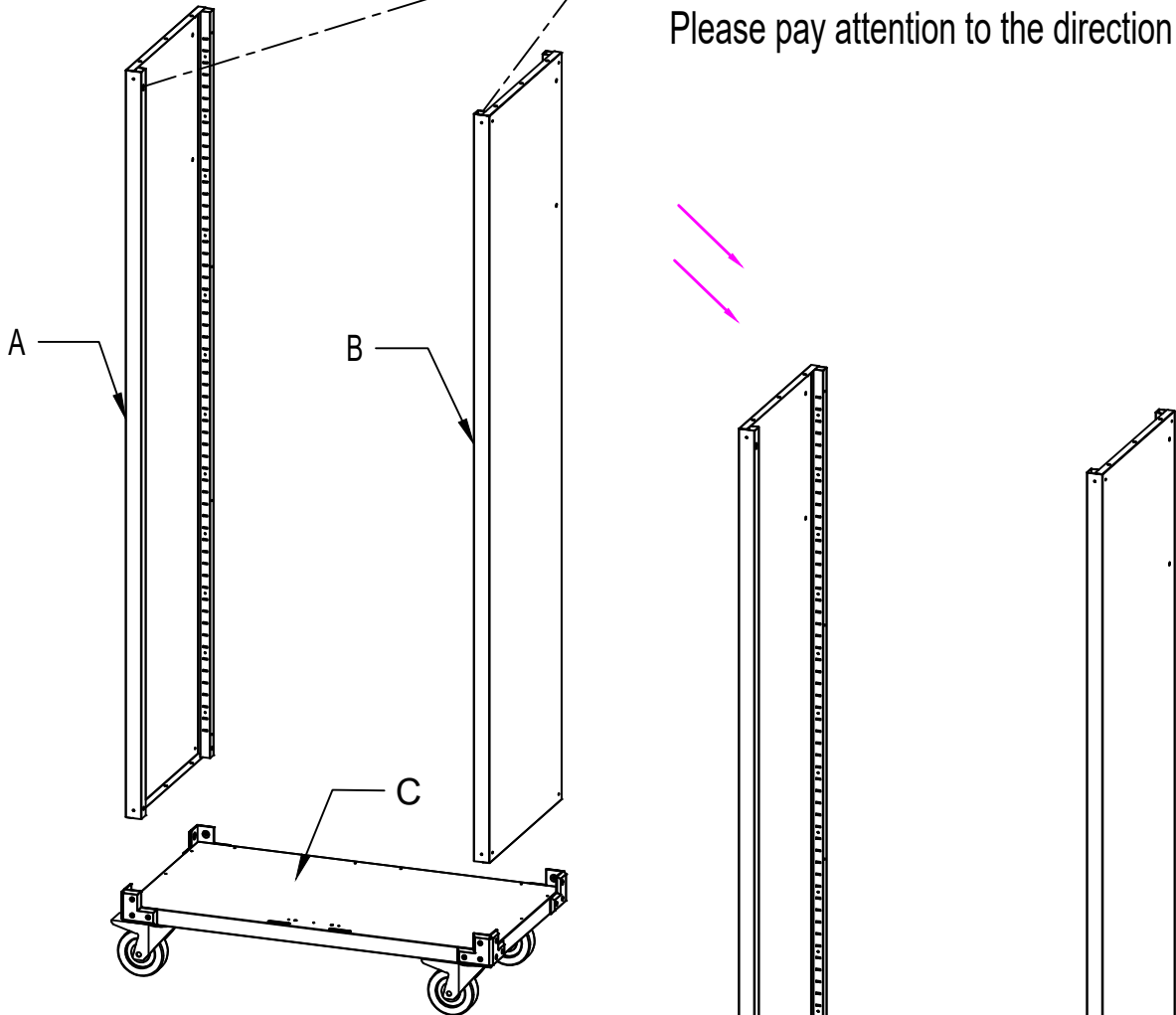
Step 3

R	 	8PCS
T	 	6PCS

Connect the side panels (A and B) to the bottom panel (C) with screws T, then fix the corner protectors with screws R



Please pay attention to the direction



This is the front of the bottom panel

Step 4

R



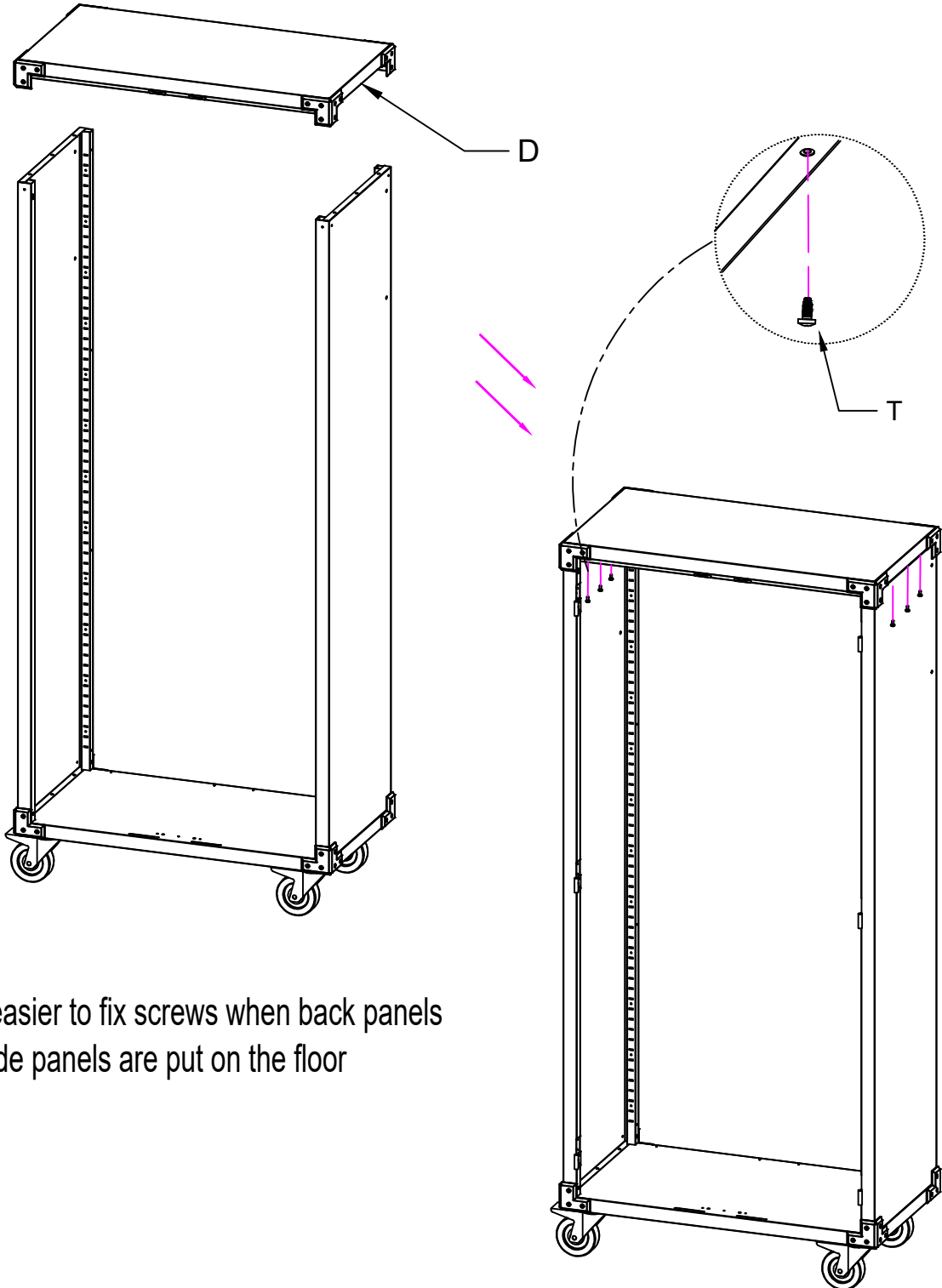
8PCS

T



6PCS

Connect the side panels (A and B) to the top panel (D) with screws T, then fix the corner protectors with screws R



It's easier to fix screws when back panels or side panels are put on the floor

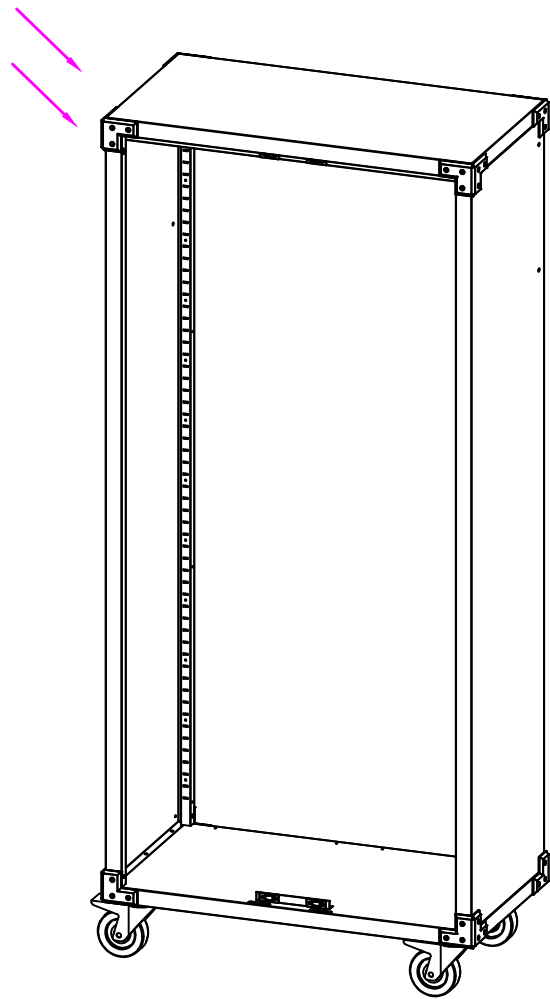
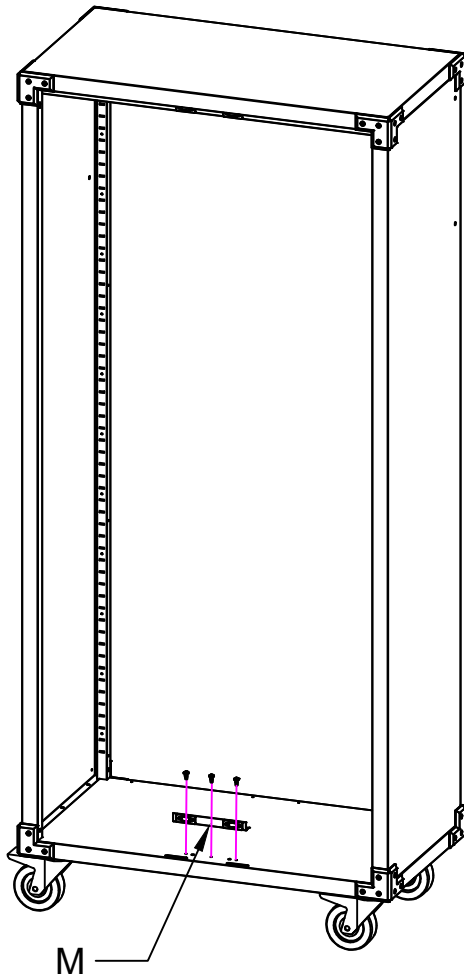
Step 5

T



3PCS

Install the door magnet (M) on the bottom panel (C) with screws T



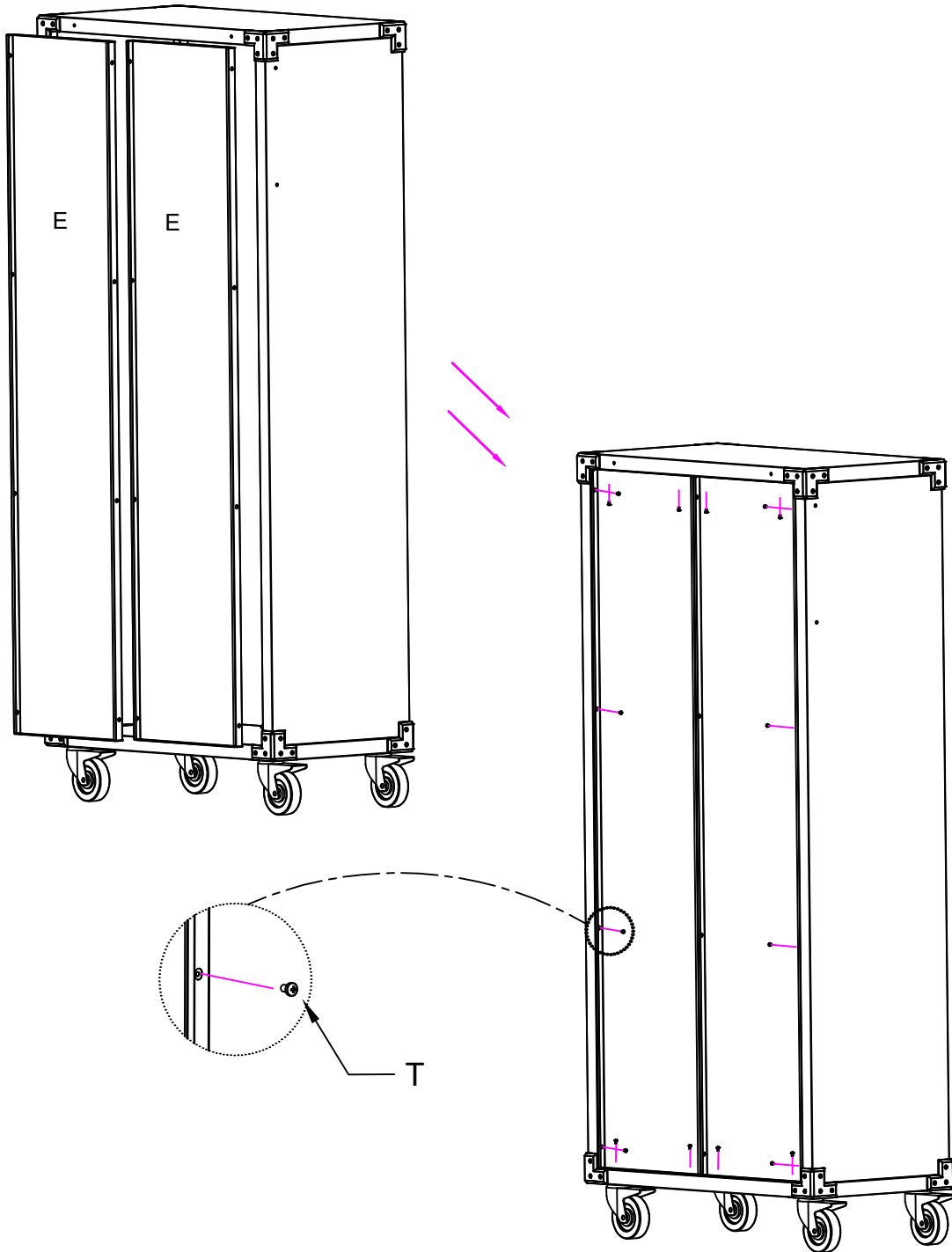
Step 6

T



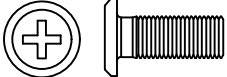

16PCS

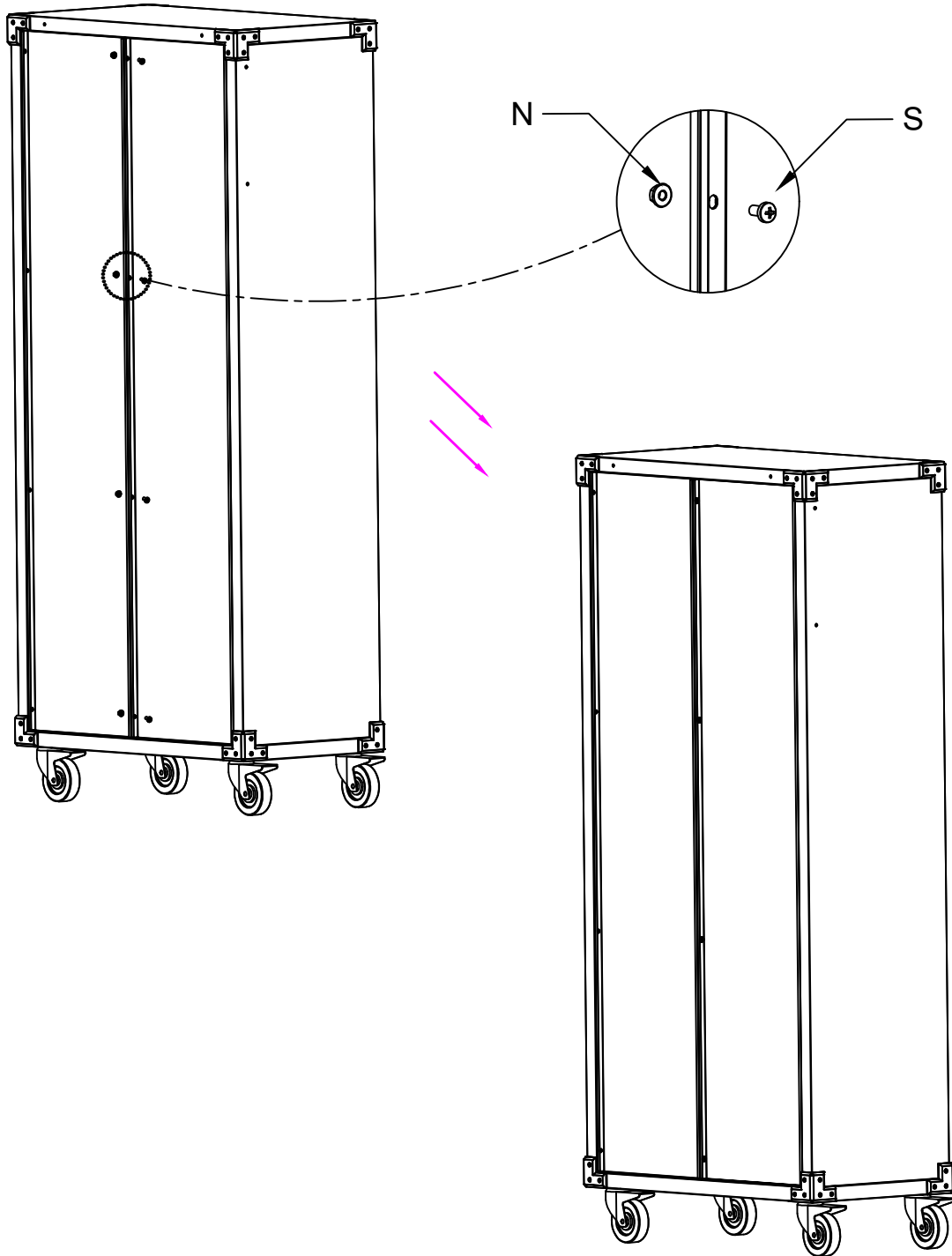
Install the back panels (E) on the side panel with screws T



Step 7

Connect the back panels (E) with screws S and N

S		4PCS
N		4PCS



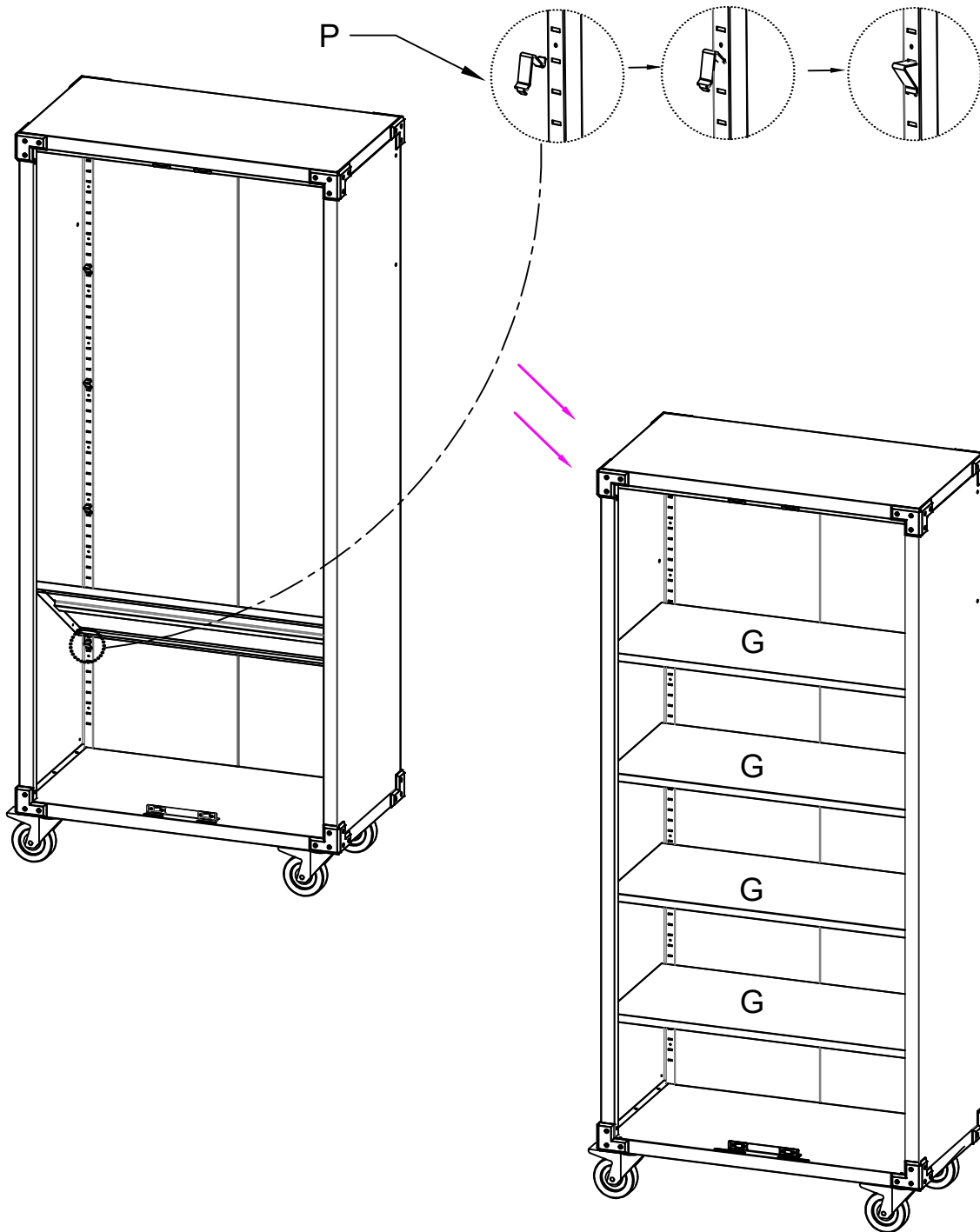
Step 8

P



16PCS

Hang shelf clasps (P) and put the shelves (G) on them

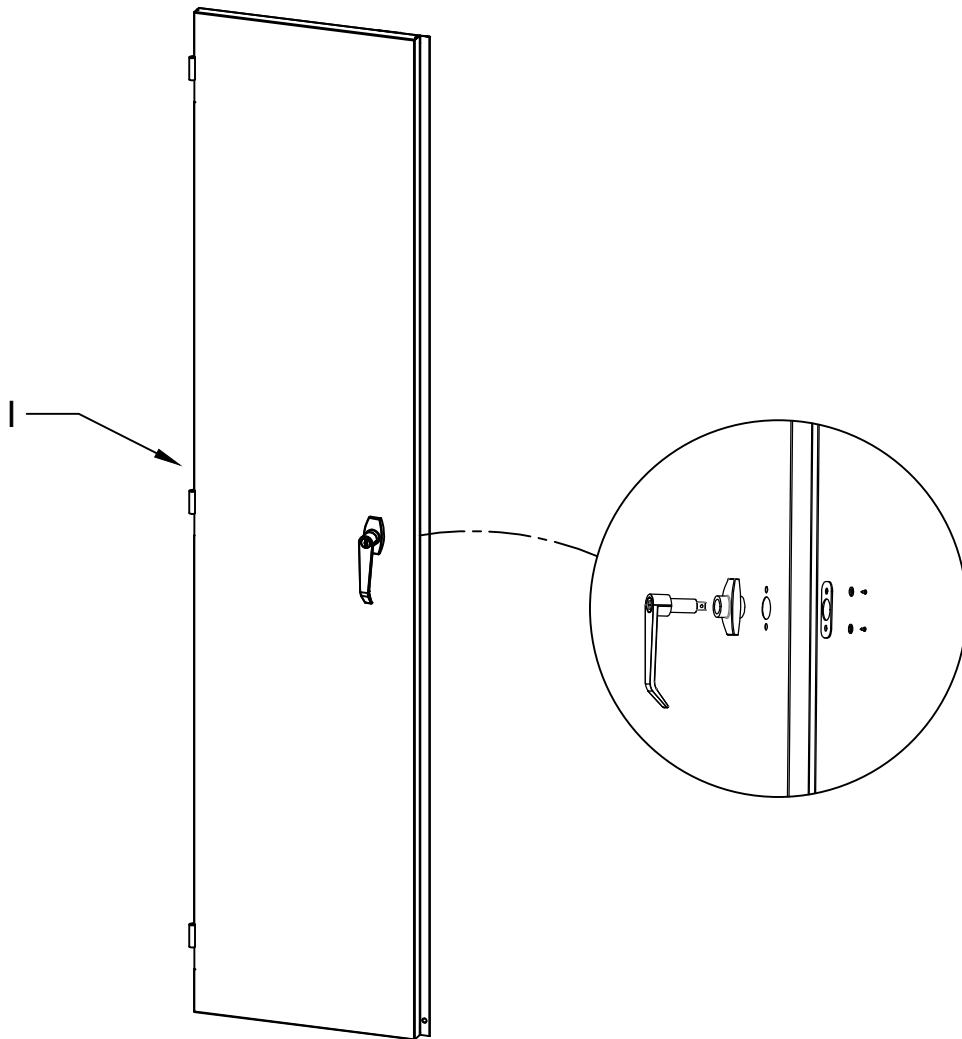


Step 9

Q₁

1PC

Install handle (Q₁) to left door (I)



Step 10

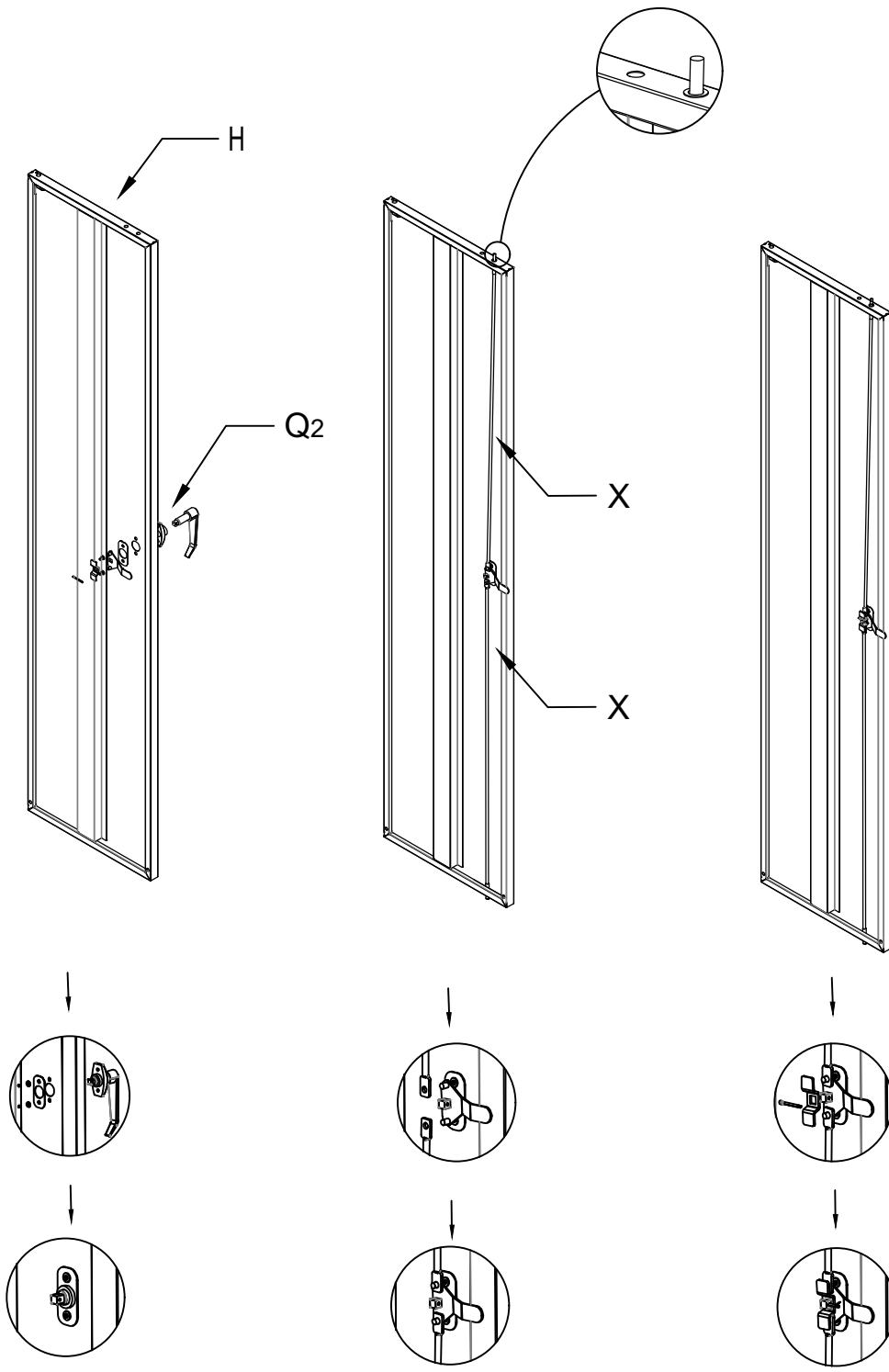
Q₂

1PC

X

2PCS

Install lock handle (Q₂) to right door (H) and install lock rods (X)



Step 11

U



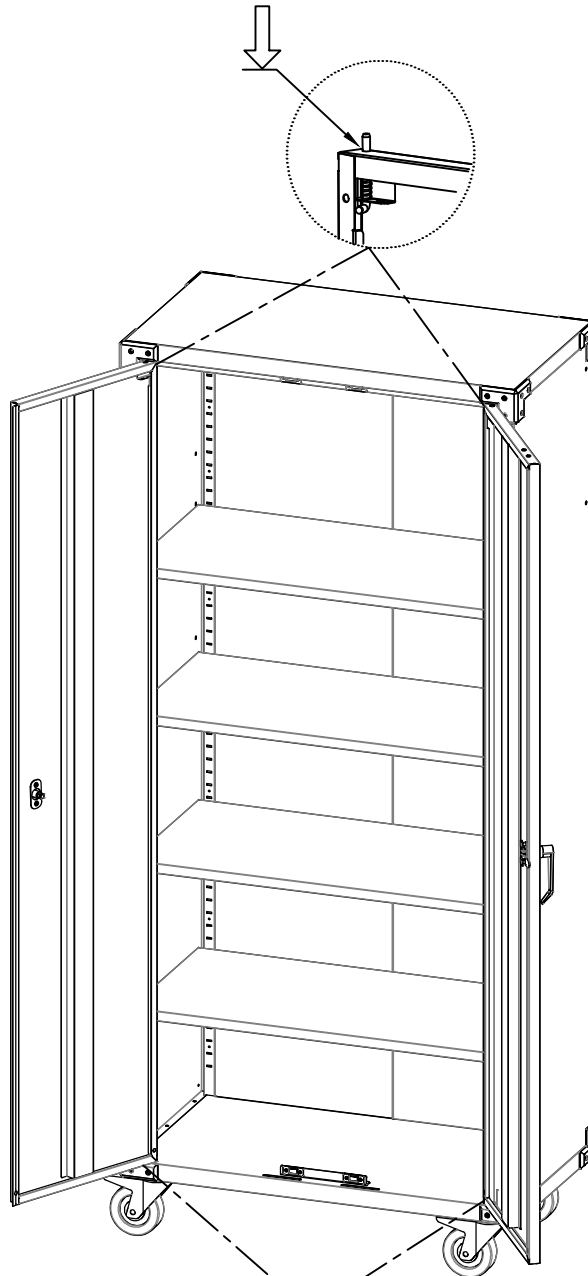
2PCS

Connect the door panels (H and I) to the cabinet with the door pivots (U), and hang the pegboard hooks (W)

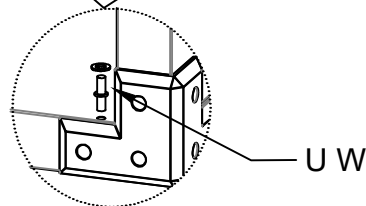
W



4PCS

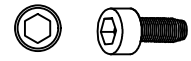


Shims are used to ensure the door work well, you can use 0 or 1 or 2 of them



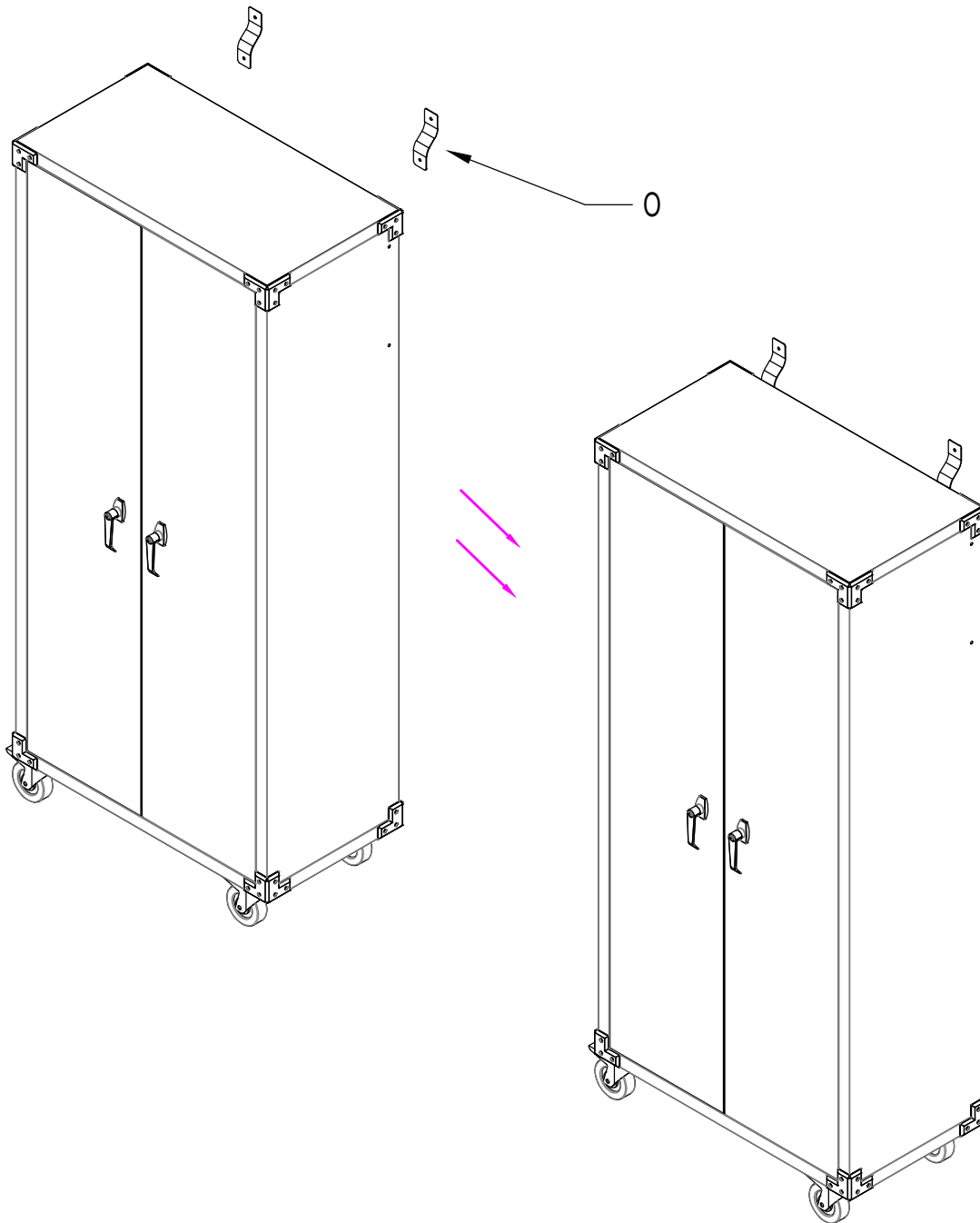
Step 12

R



2PCS

Install anti-tipping straps (O) on the back of the cabinet with screws R

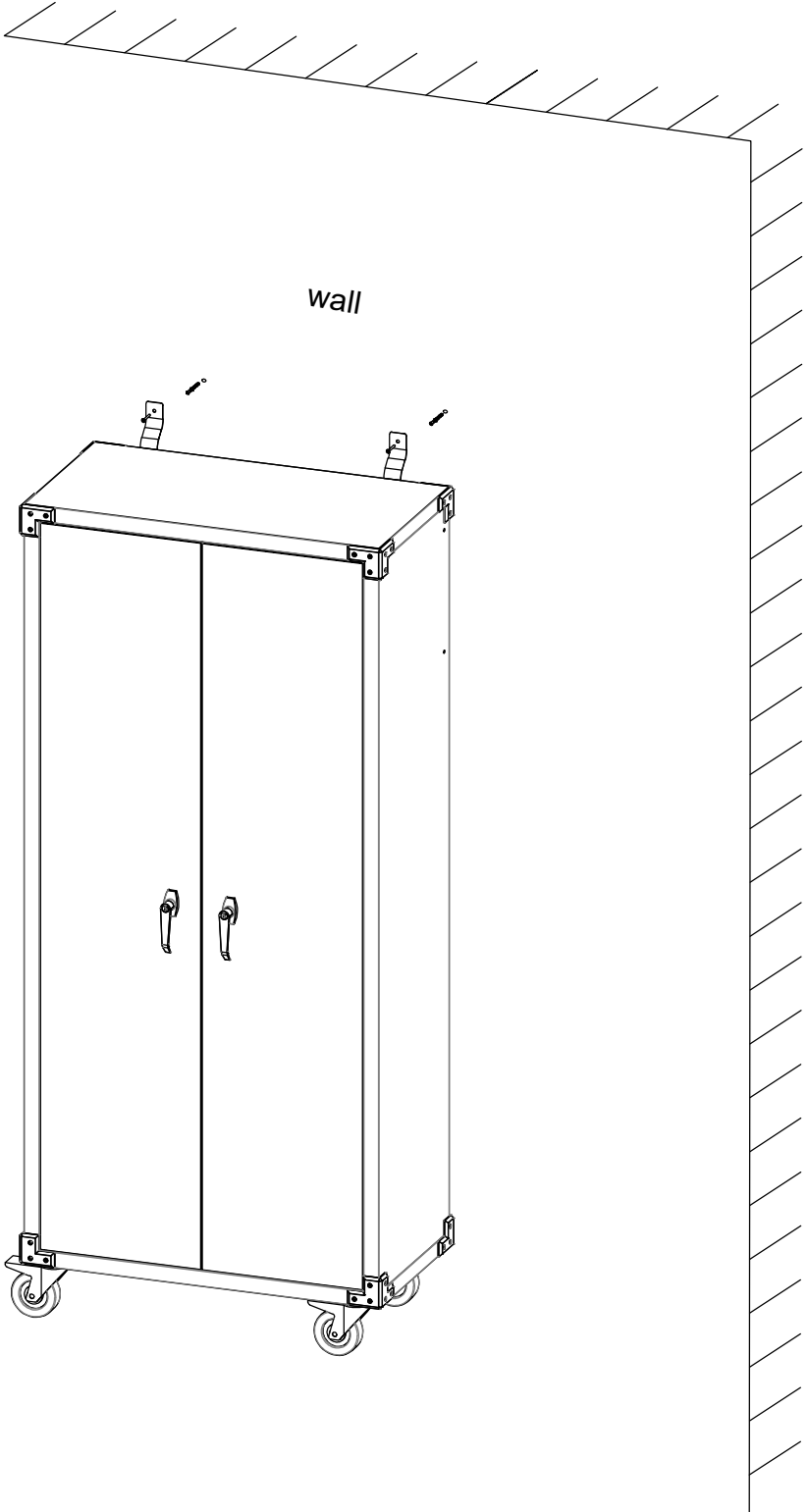


Step 13

V



2PCS





Model: SA-TC-S06

Company Name: Garvee Innovation Inc

Company Address: 4215 E Airport Dr Ontario, CA, USA

Support Email: support@garvee.com

Made in China