

ASSEMBLY INSTRUCTIONS

Console Table

EEl-7516 / V0.05.20.25

modway



Questions? Contact us!

609.256.9000

cs@modway.com

Welcome.

Let's get started.

Before you begin, here are some things to keep in mind:

Assembly will take most people **about 60 minutes**. Consider having a friend help you!

Only use hand tools to assemble this item. Do not use power tools. Do not tighten bolts or screws completely until all hardware is lined up and inserted in to the holes.

Read through all of the instructions before starting. Make sure you have all parts and components before discarding any packing materials.

Do not over-tighten screws and bolts to avoid stripping the hardware or cracking the item.

Assemble your item on a flat, carpeted area, with plenty of space to work. This will prevent damage and scratches to your floors or the item while you're assembling the product.

Keep all components and packaging out of reach of children or animals to avoid risk of choking or suffocation.







Care instructions are listed in the last step of this manual.

WAIT!

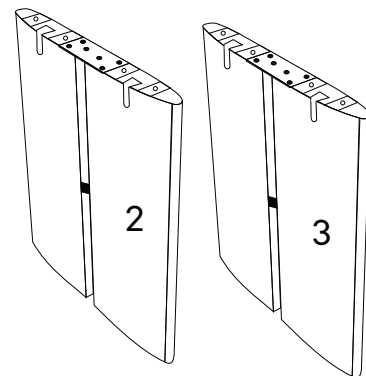
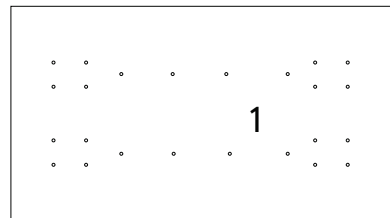
Missing parts or hardware? Need assistance?
Contact us before returning your item.
We're here to help!



HARDWARE INCLUDED IN THE BOX:

A		Allen Key 5mm	x1
B		Allen Bolt M8 x 20mm	x8
C		Flat Washer M8	x8
D		Top Fixing Plate 150 x 50 x 4mm	x4
E		CSK Bolt M8 x 25mm	x4
F		Leveler (Pre Assembled)	x4

FURNITURE COMPONENTS:



1	Top Panel	x1
2	Left Leg	x1
3	Right Leg	x1

HARDWARE

D Top Fixing Plate 150 x 50 x 4mm x2

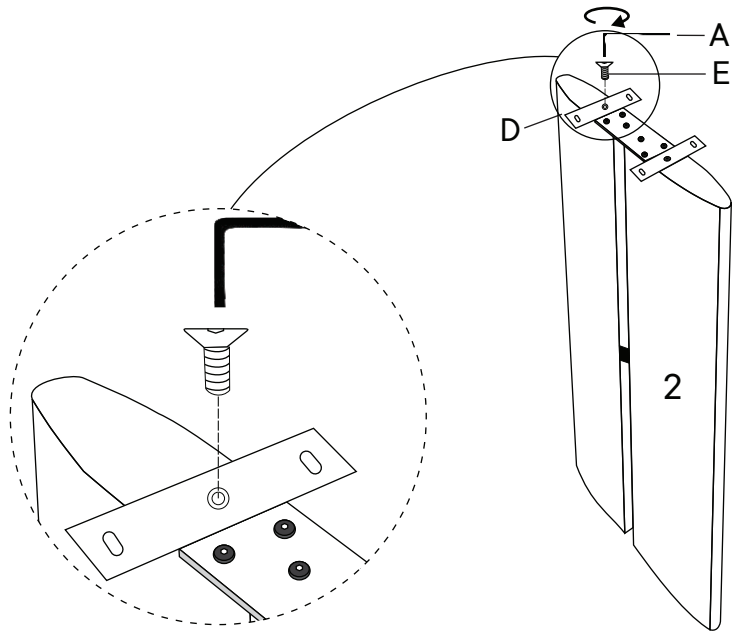
E Allen Bolt M8 x 25mm x2

COMPONENTS

2 Left Legs x1

TOOLS

A Allen Key 5mm x1



STEP 02

HARDWARE

D Top Fixing Plate 150 x 50 x 4mm x2

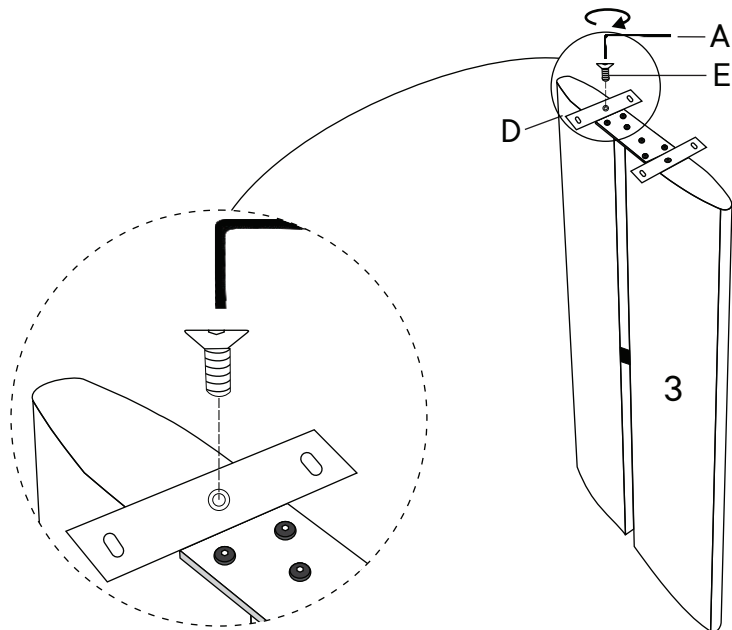
E Allen Bolt M8 x 25mm x2

COMPONENTS

3 Right Legs x1

TOOLS

A Allen Key 5mm x1



HARDWARE

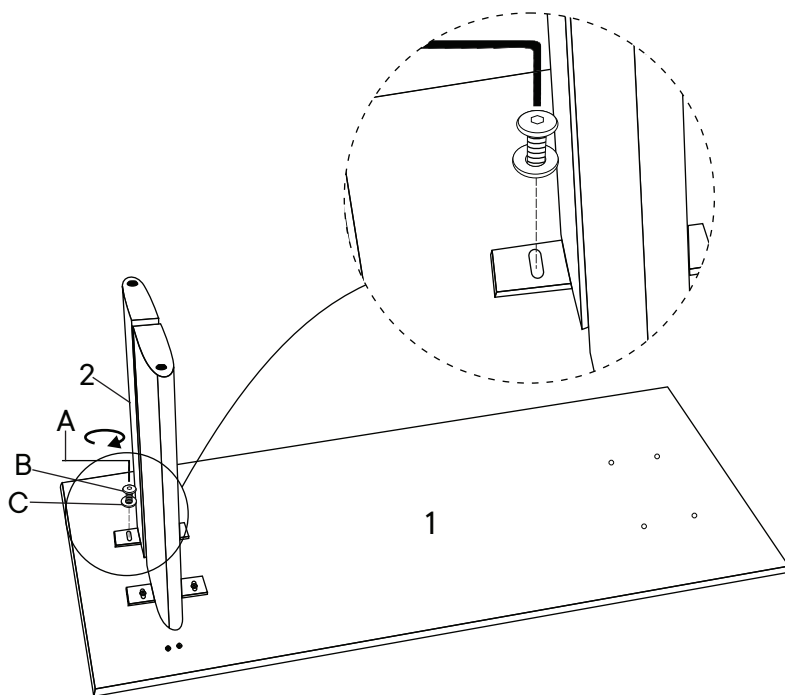
- C** Flat Washer M8 x4
- D** Allen Bolt M8 x 20mm x4

COMPONENTS

- 1** Top Panel x1
- 2** Left Leg x1

TOOLS

- A** Allen Key 5mm x1



STEP 04

HARDWARE

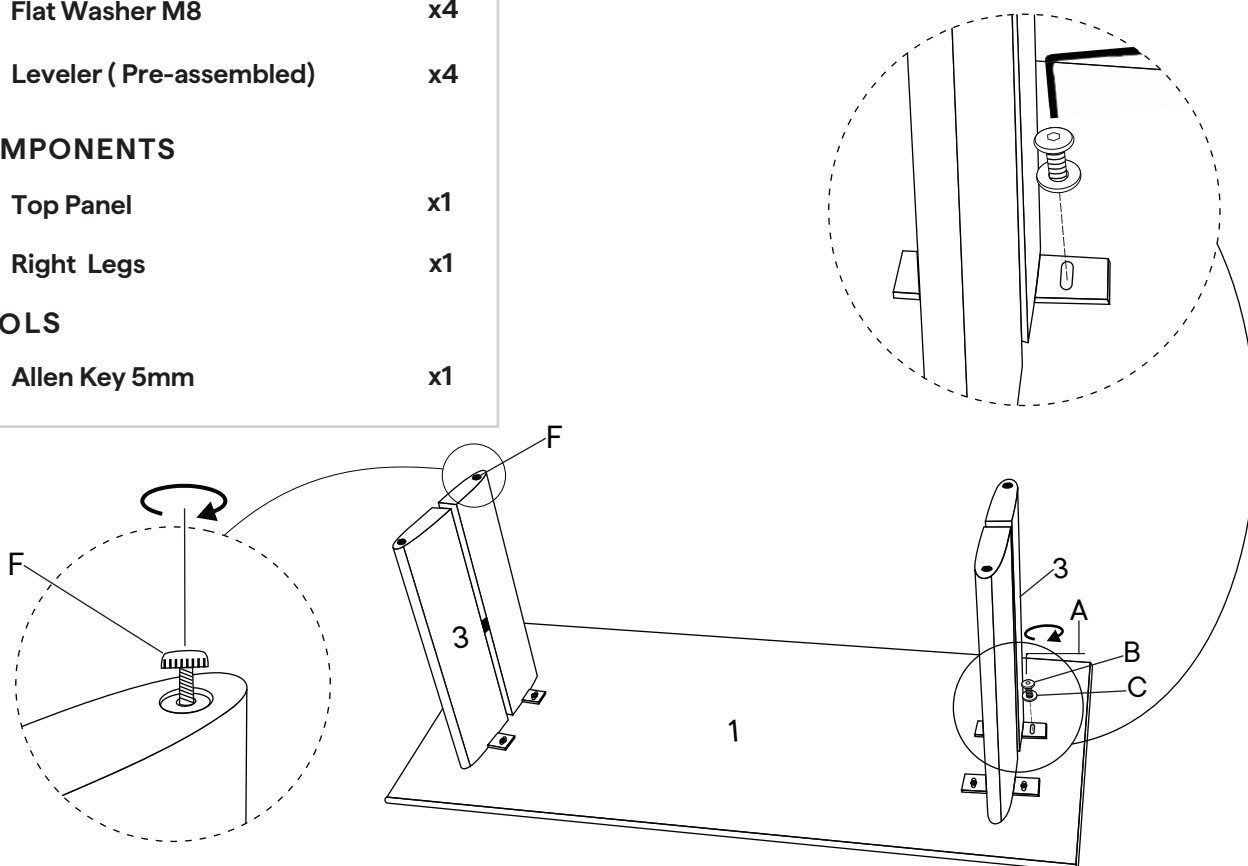
- B** Allen Bolt M8 x 20mm x4
- C** Flat Washer M8 x4
- F** Leveler (Pre-assembled) x4

COMPONENTS

- 1** Top Panel x1
- 3** Right Legs x1

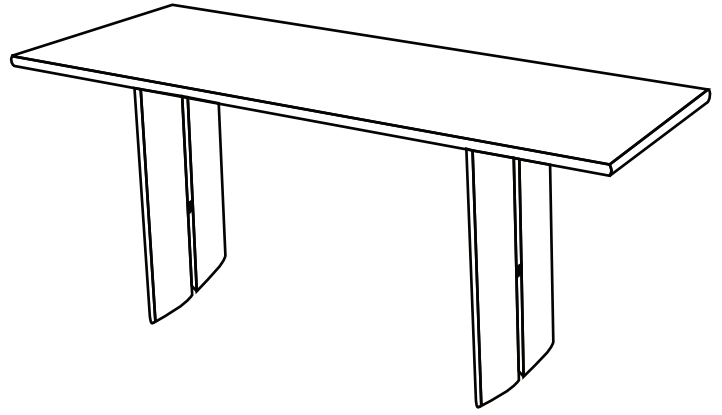
TOOLS

- A** Allen Key 5mm x1



Great job!

Your new console table is complete.



CARING FOR YOUR ITEM

- Indoor use only.
- Not contract grade.
- Clean using a non-abrasive cloth and a mild cleaner.
- Never use harsh chemicals, as they could damage the finish or integrity of the item.



CONNECT WITH US!

Tag us [@modway_furniture](#) and [#modway](#) for a chance to be featured.

modway



Questions? Contact us!
609.256.9000
cs@modway.com